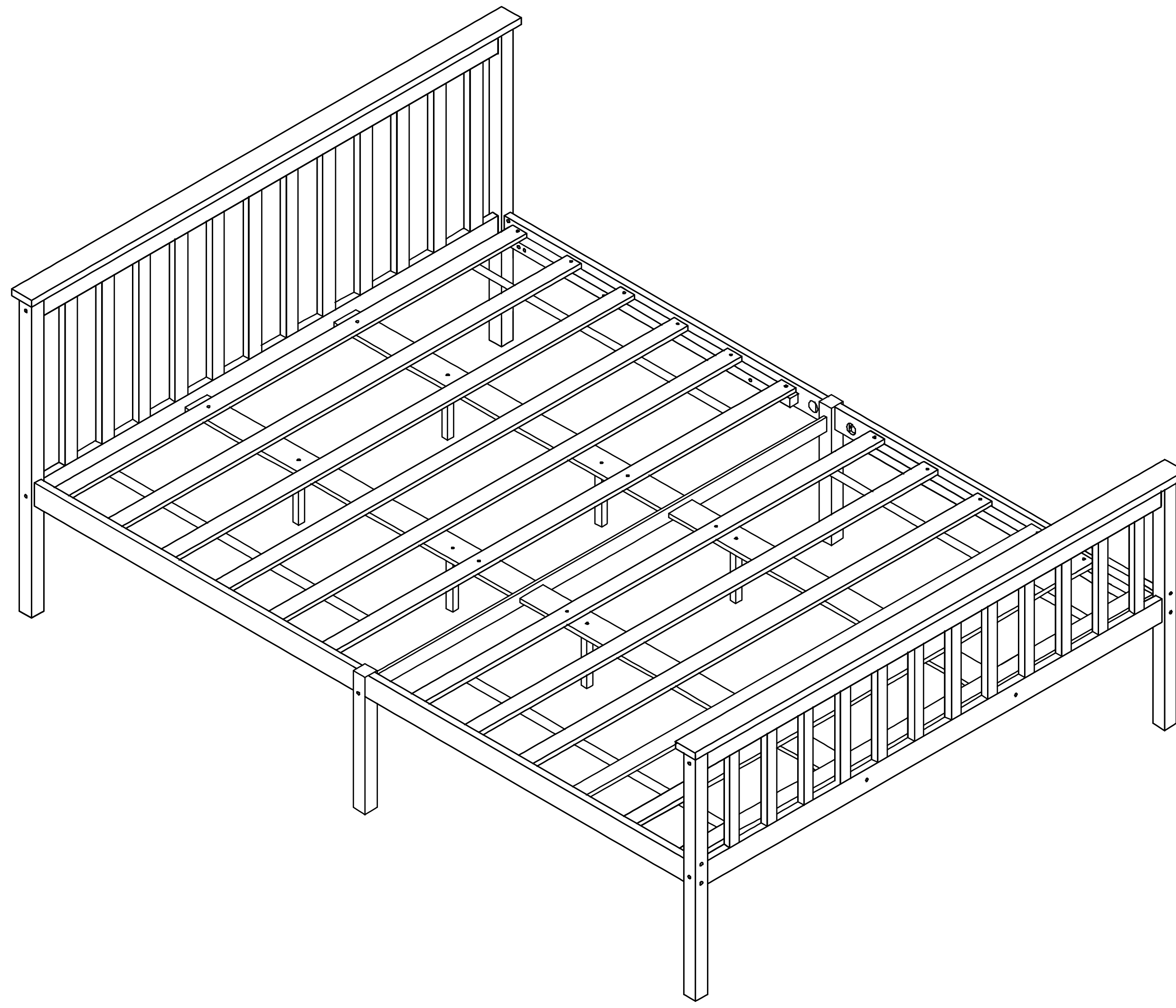
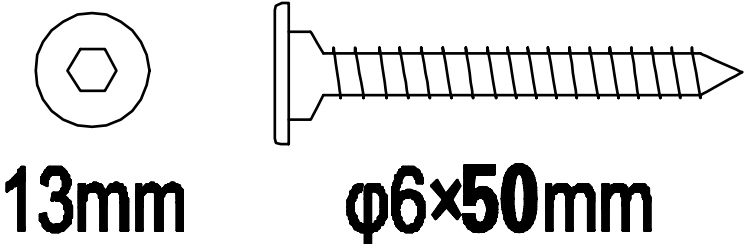


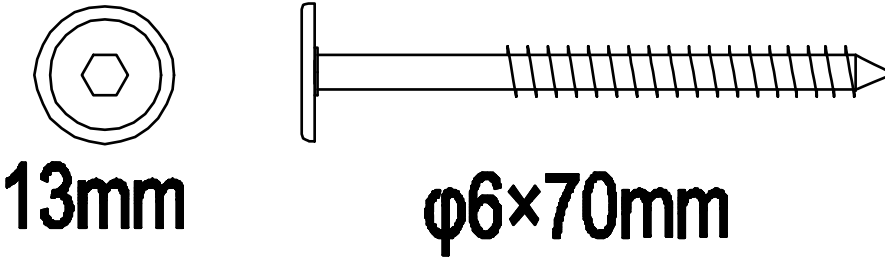
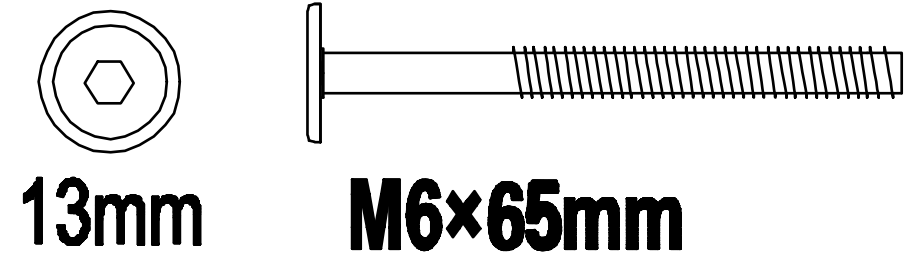

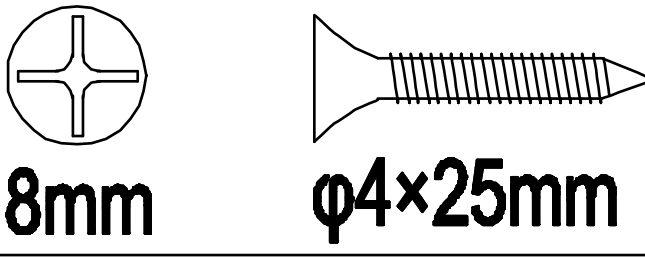
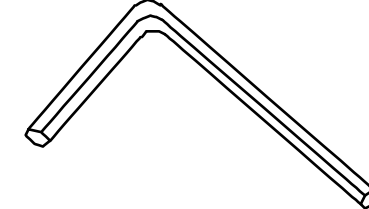
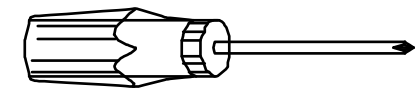
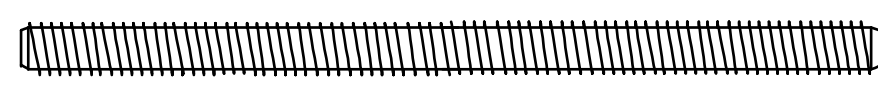


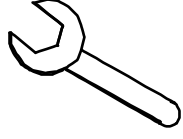
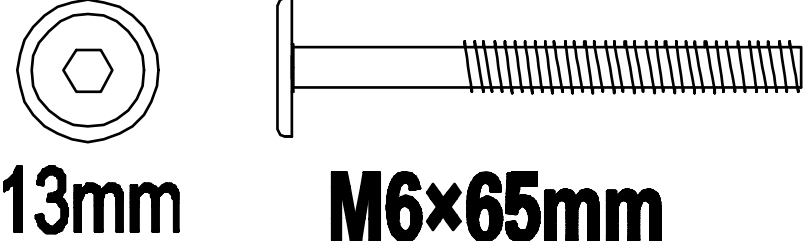
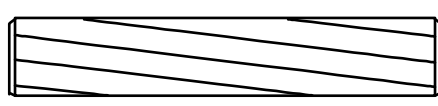


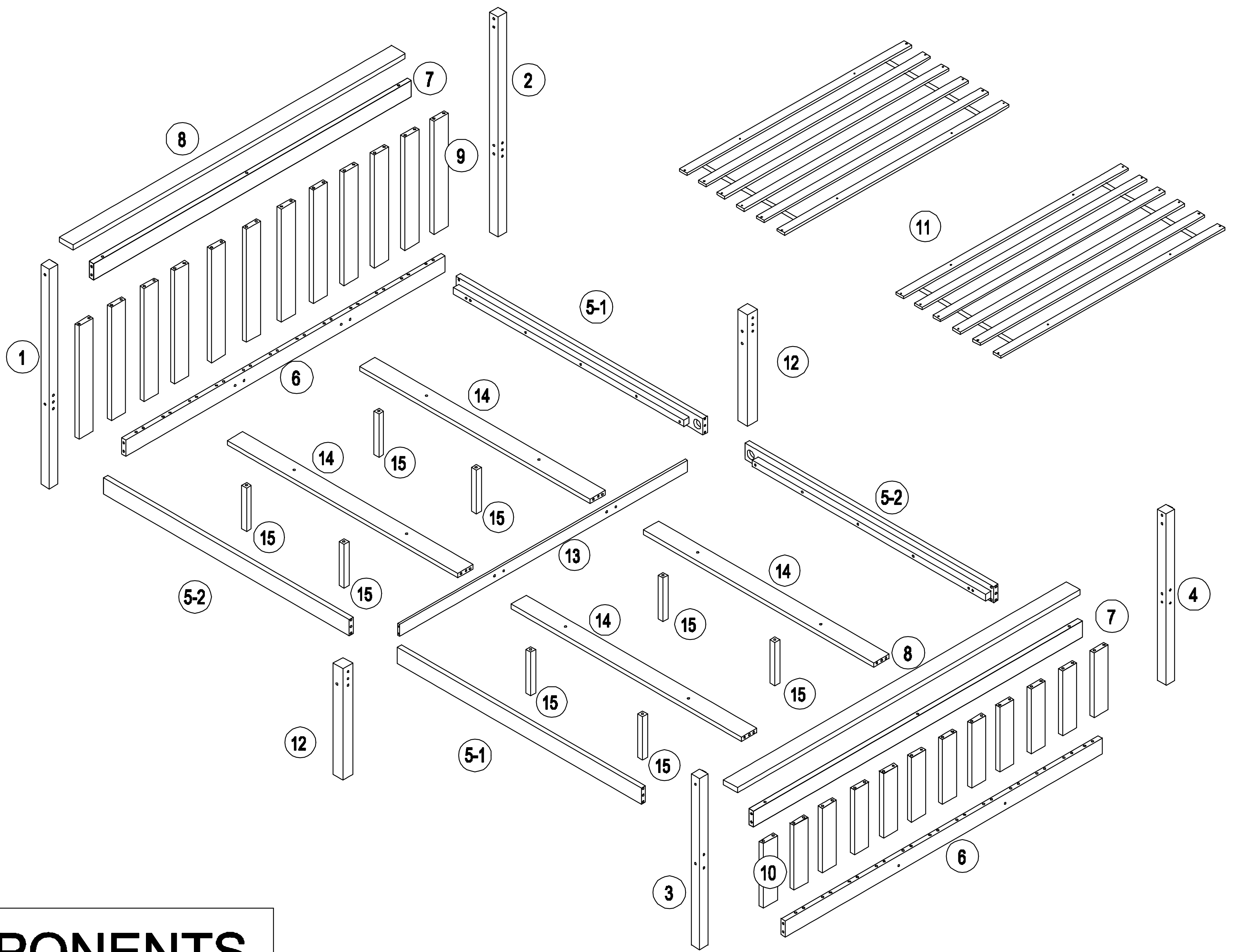
# PM-ATL-NAT FRA-60 ATL-WHL-FRA-60 ASSEMBLY INSTRUCTIONS



## HARDWARE


A	 13mm $\phi 6 \times 50$ mm	8
B		8
C	 $\phi 8 \times 30$ mm	26
D	 13mm $\phi 6 \times 70$ mm	14
E	 13mm $M6 \times 65$ mm	8
F	 $\phi 8 \times 60$ mm	4
G	 8mm $\phi 4 \times 25$ mm	32
H		1

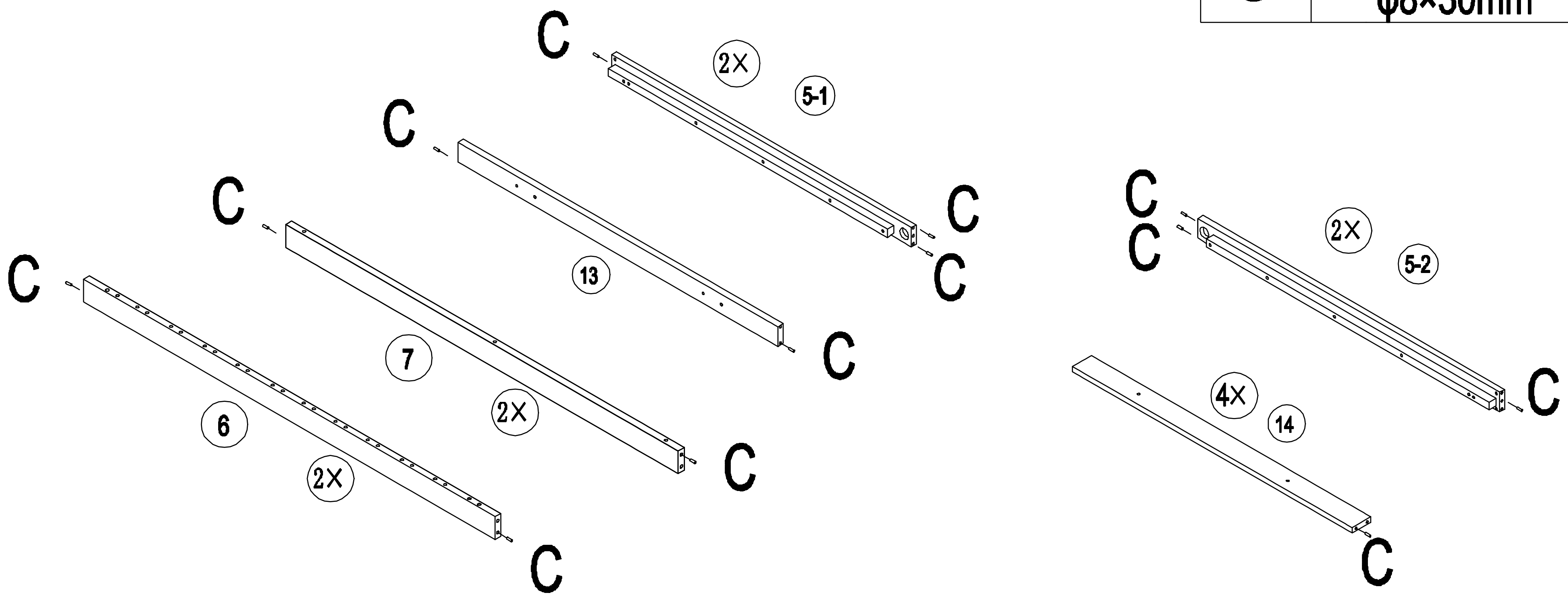
I	 Screw driver(not provided)	1
J	 $M6 \times 120$ mm	2
K	 NUT M6	4
L		4
M	 Spanner	2
N	 13mm $M6 \times 65$ mm	6
O	 $\phi 6 \times 30$ mm	96



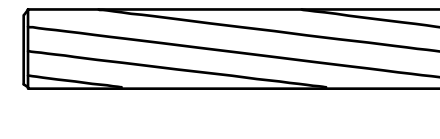
# COMPONENTS

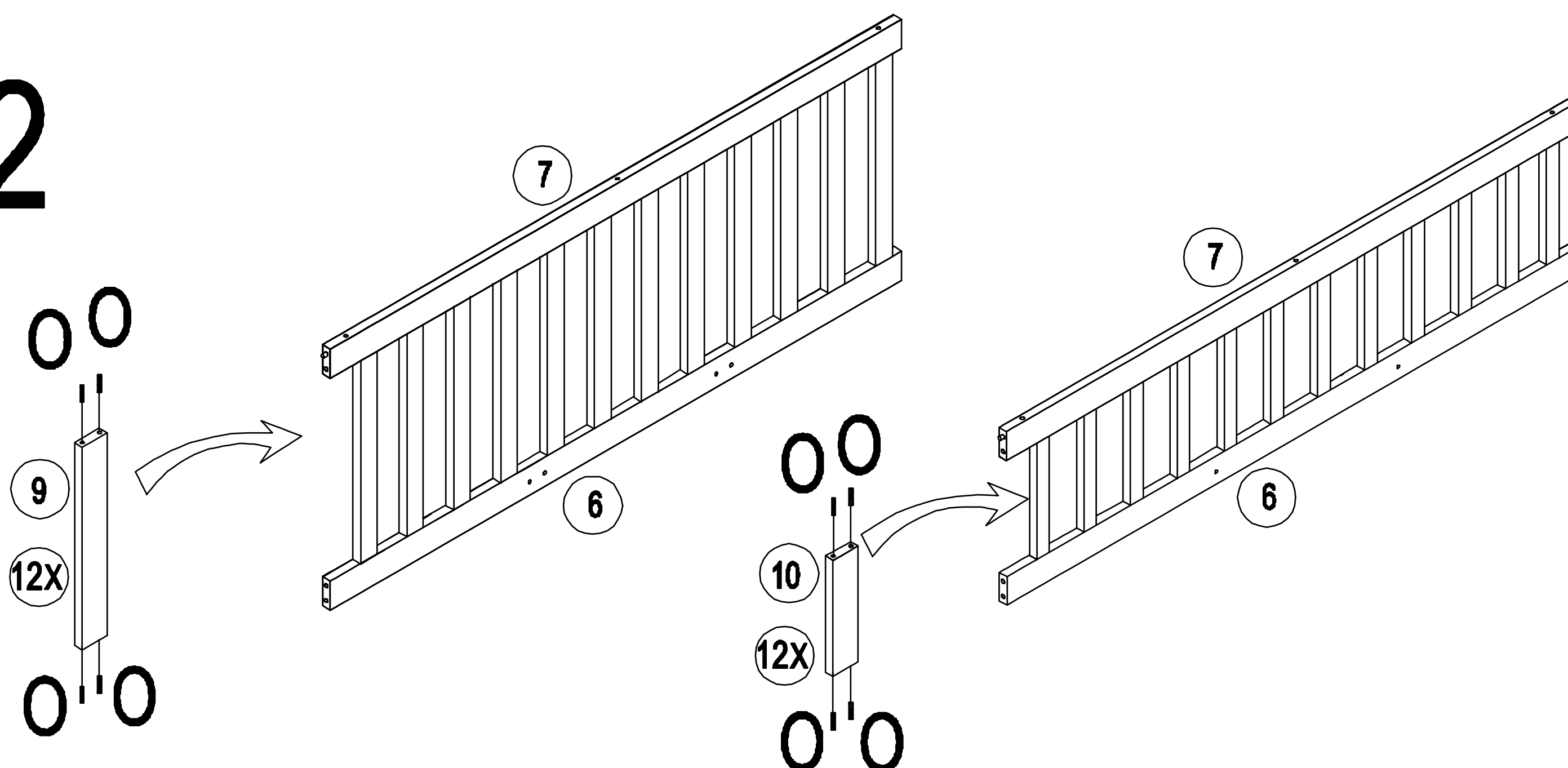
## 01

<b>C</b>	 $\phi 8 \times 30 \text{mm}$	<b>26</b>
----------	---	-----------

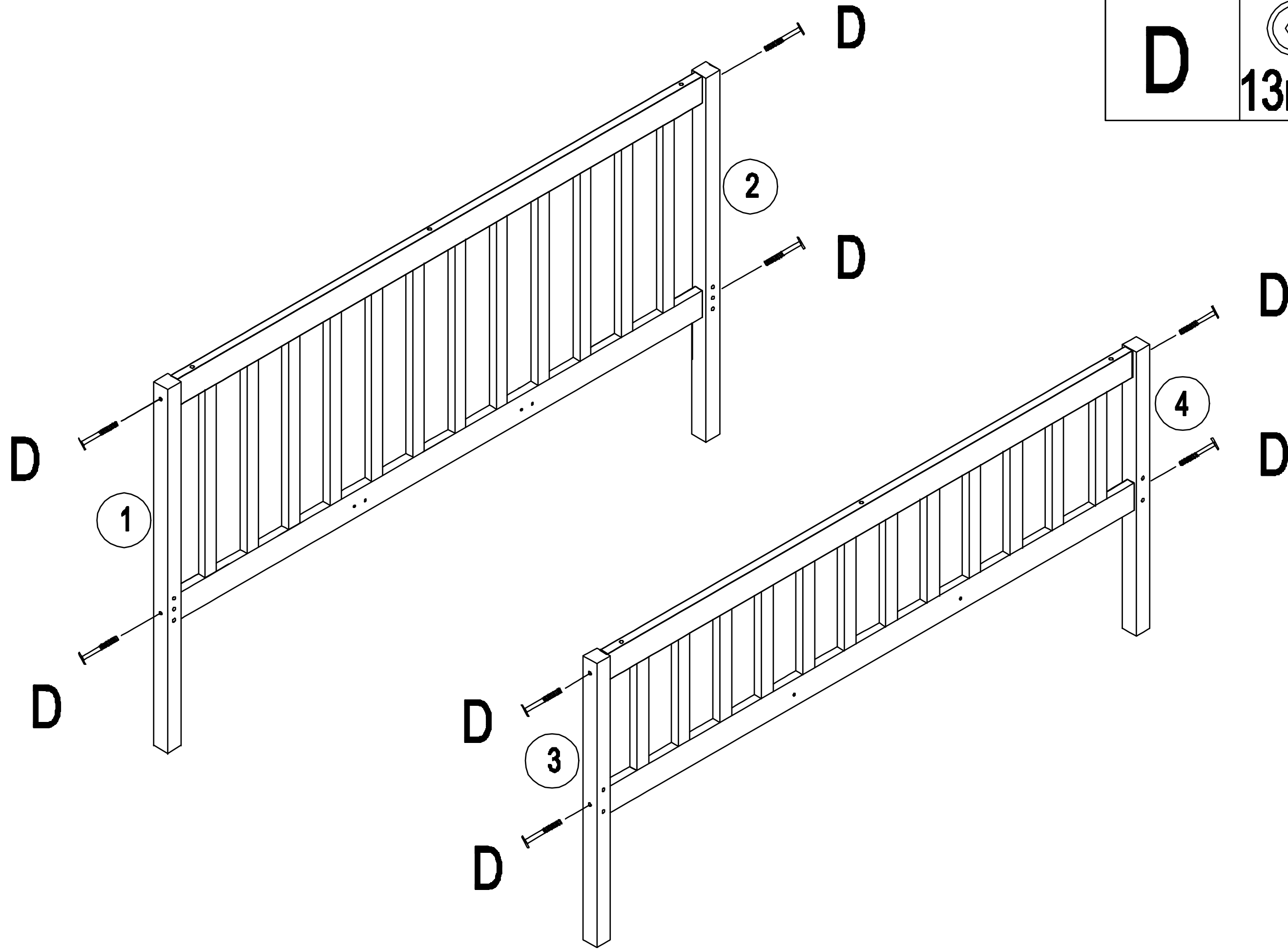


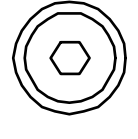
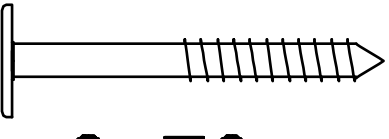
## 02

<b>O</b>	 $\phi 6 \times 30 \text{mm}$	<b>96</b>
----------	---	-----------

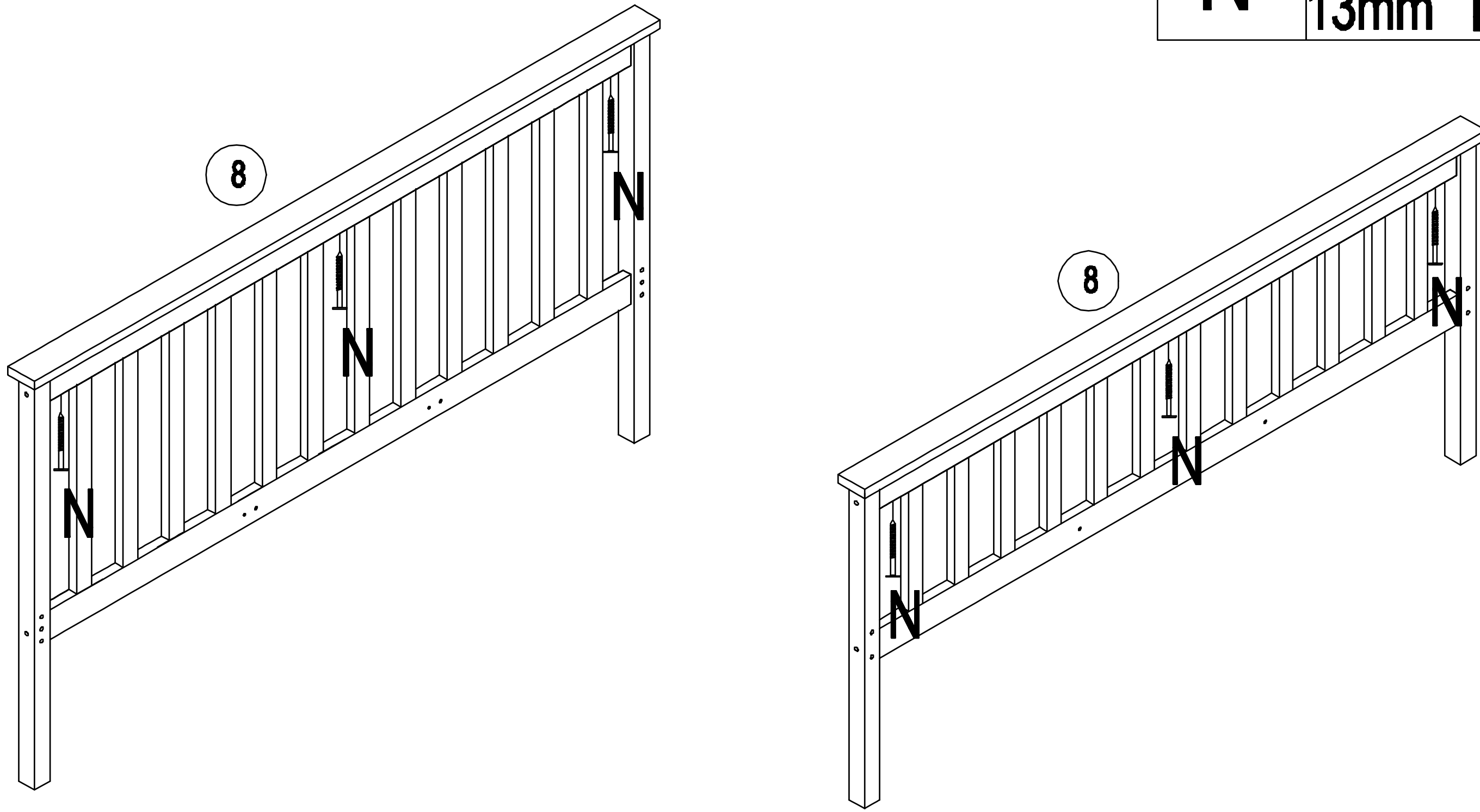


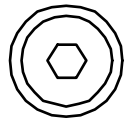
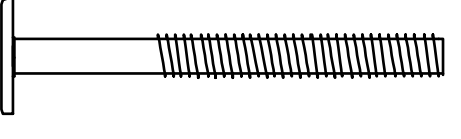
# 03



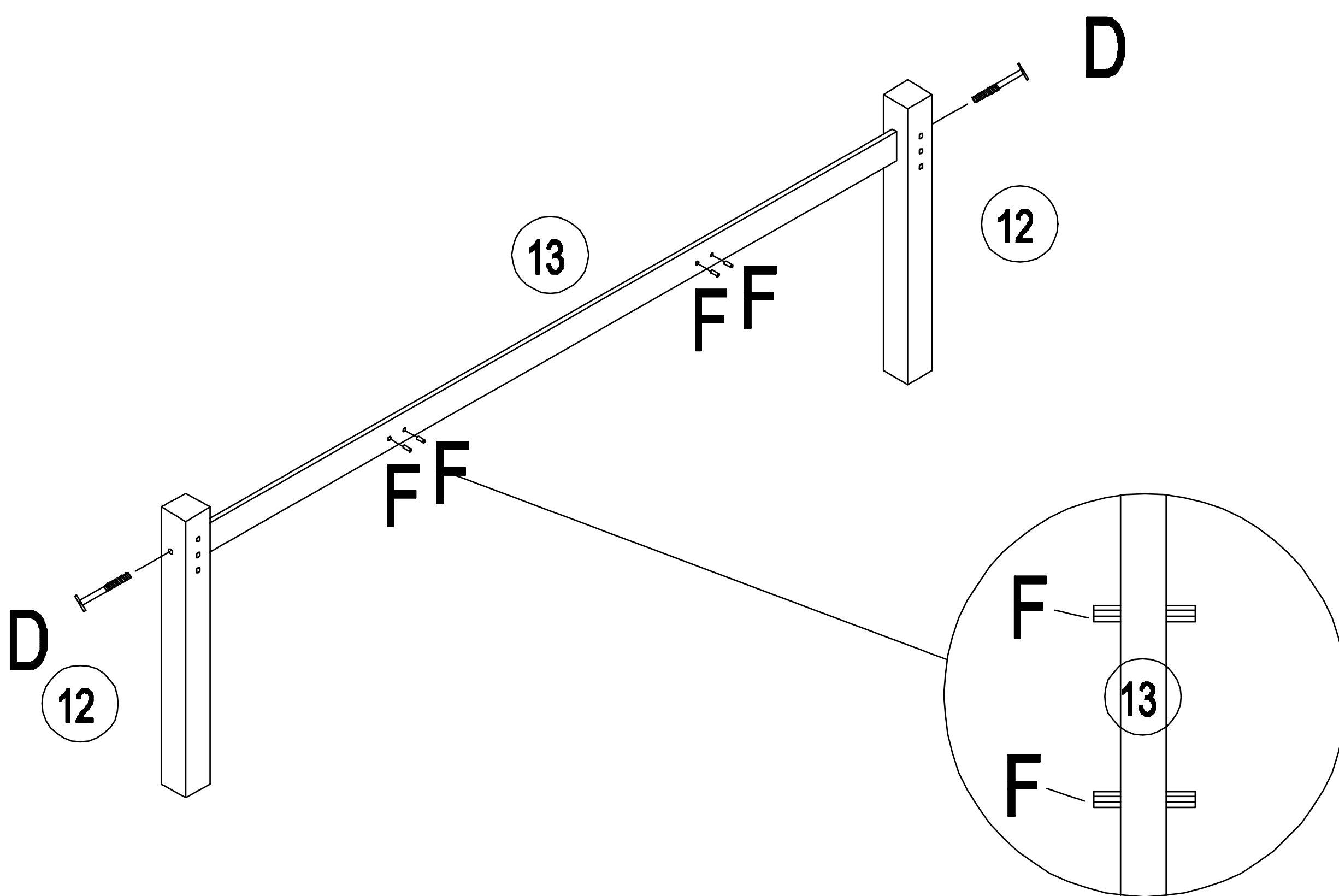
<b>D</b>			<b>8</b>
	13mm	φ6×70mm	

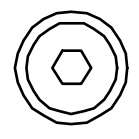
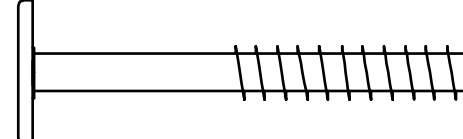

# 04



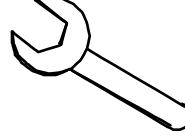
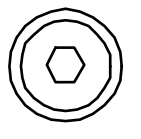
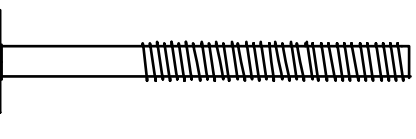
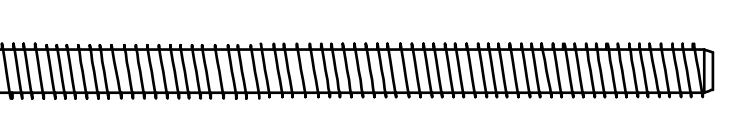

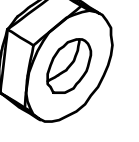
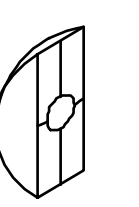
<b>N</b>			<b>6</b>
	13mm	M6×65mm	

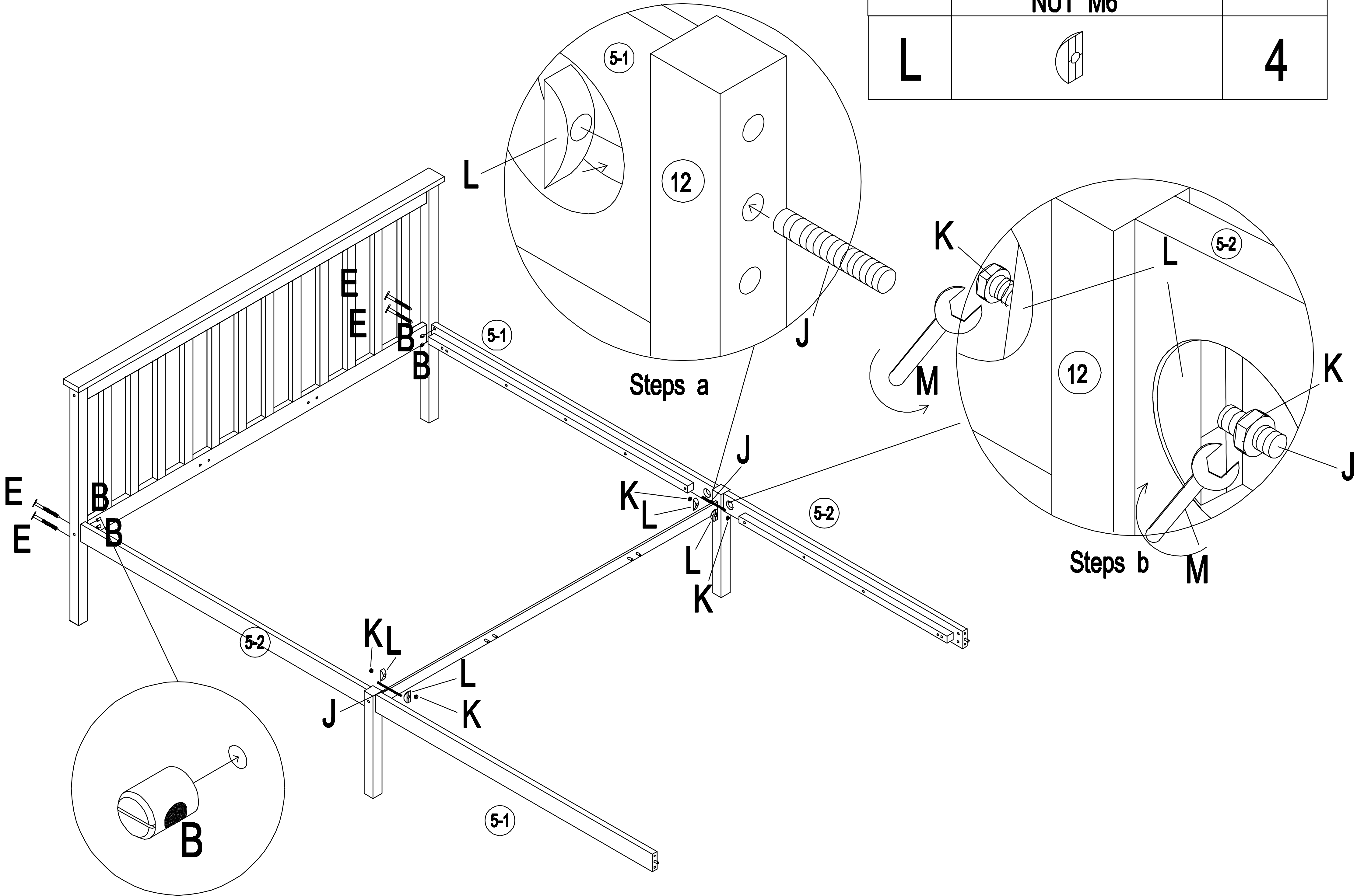
# 05



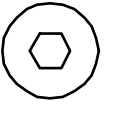
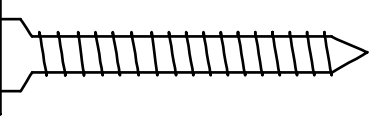
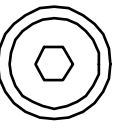
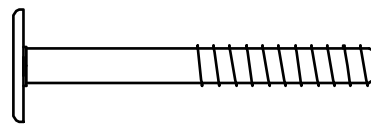
<b>D</b>			<b>2</b>
	13mm	φ6×70mm	
<b>F</b>			<b>4</b>
	φ8×60mm		

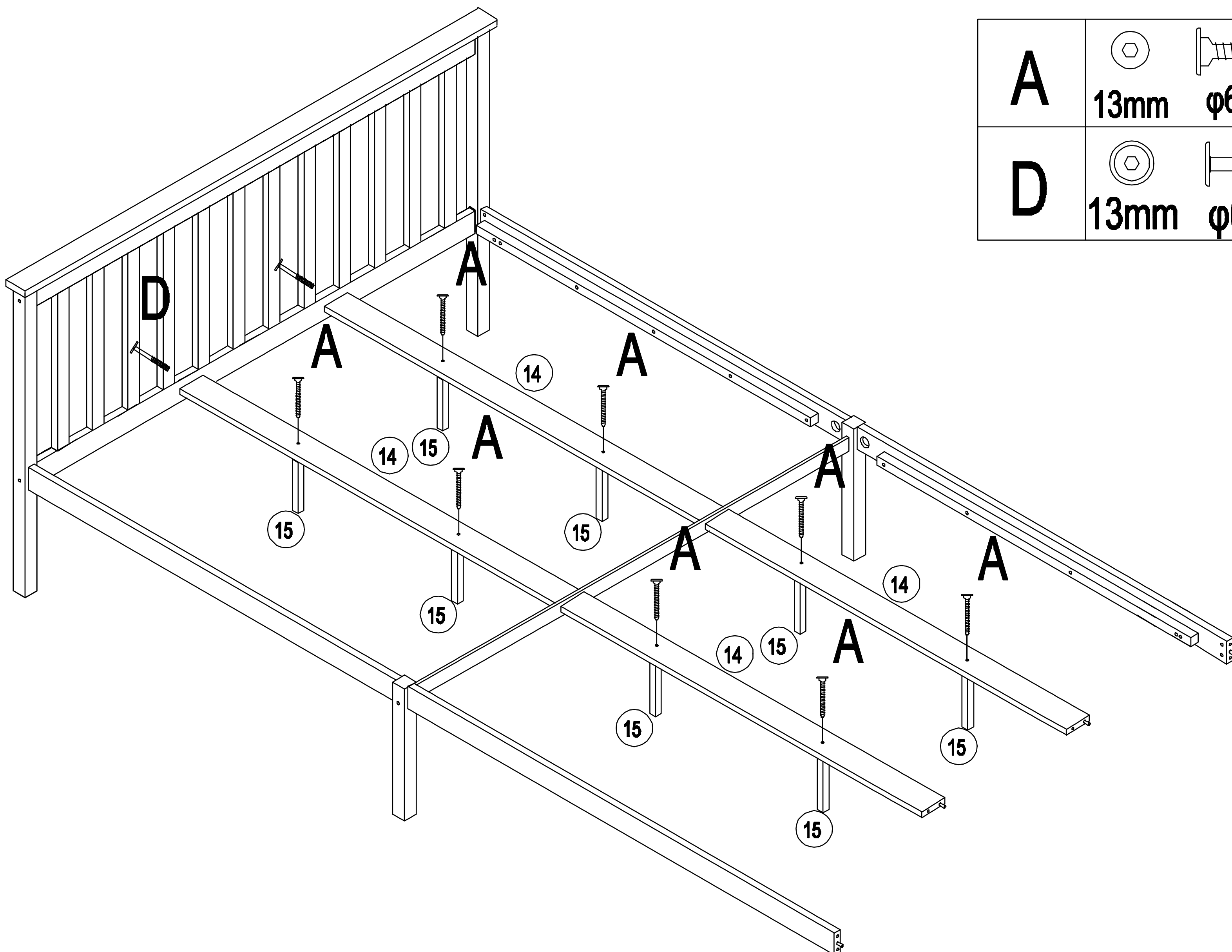
# 06

M	 Spanner	2	E	 13mm	 M6×65mm	4
J	 M6×120mm	2	B			4
			K		NUT M6	4
			L			4

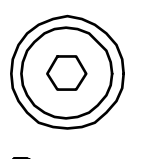
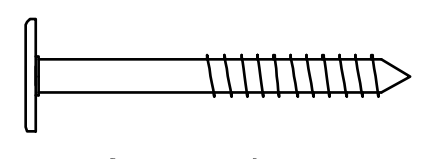
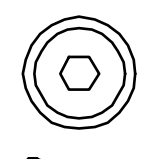
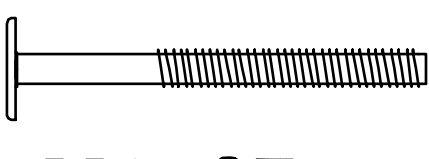



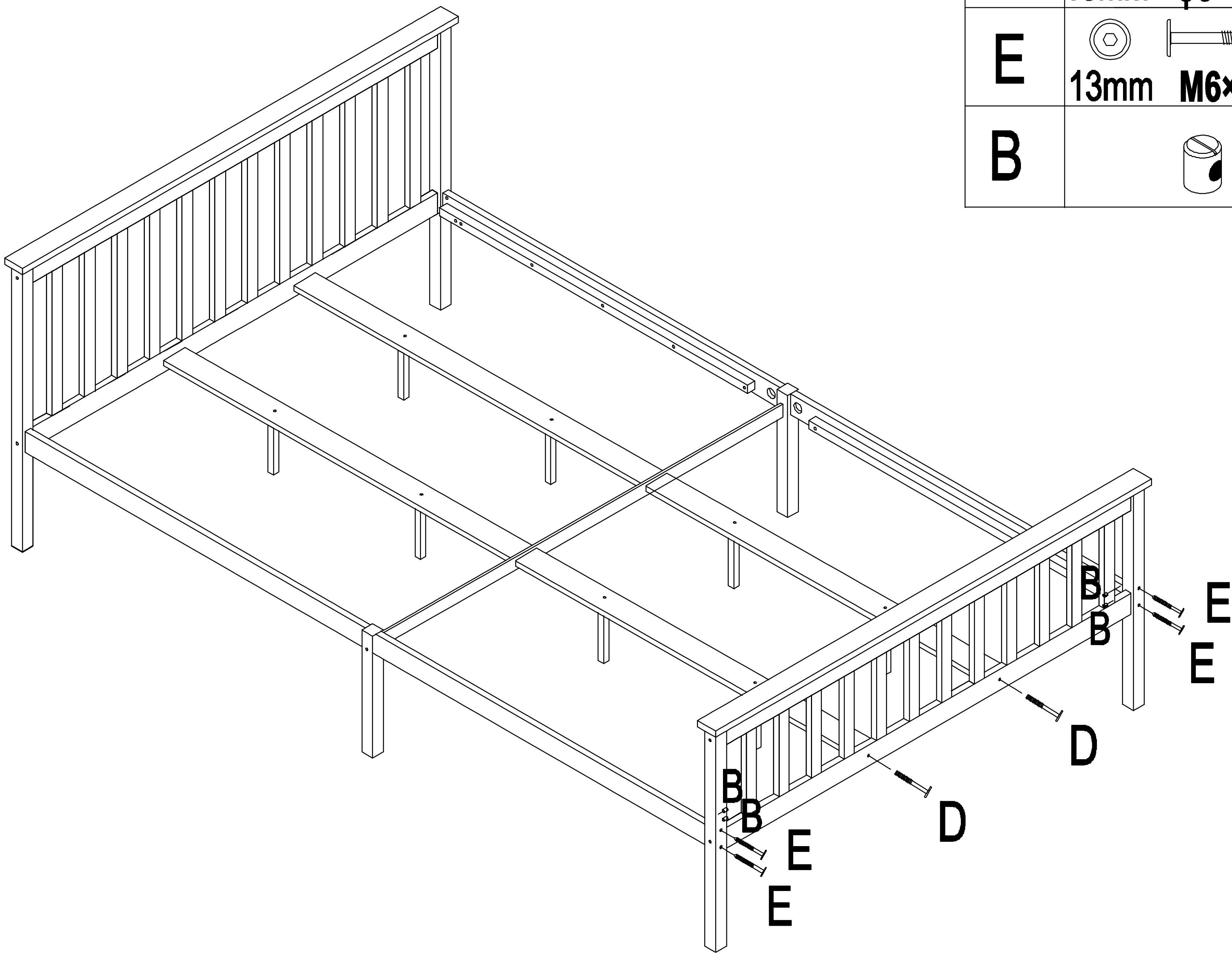
# 07

A	 13mm	 φ6×50mm	8
D	 13mm	 φ6×70mm	2

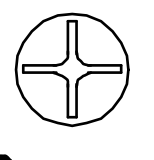
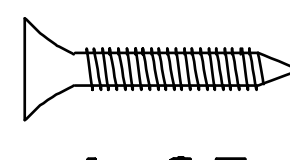


# 08

<b>D</b>	 	<b>2</b>
<b>E</b>	 	<b>4</b>
<b>B</b>		<b>4</b>



# 09

<b>G</b>	 	<b>32</b>
----------	---	-----------

