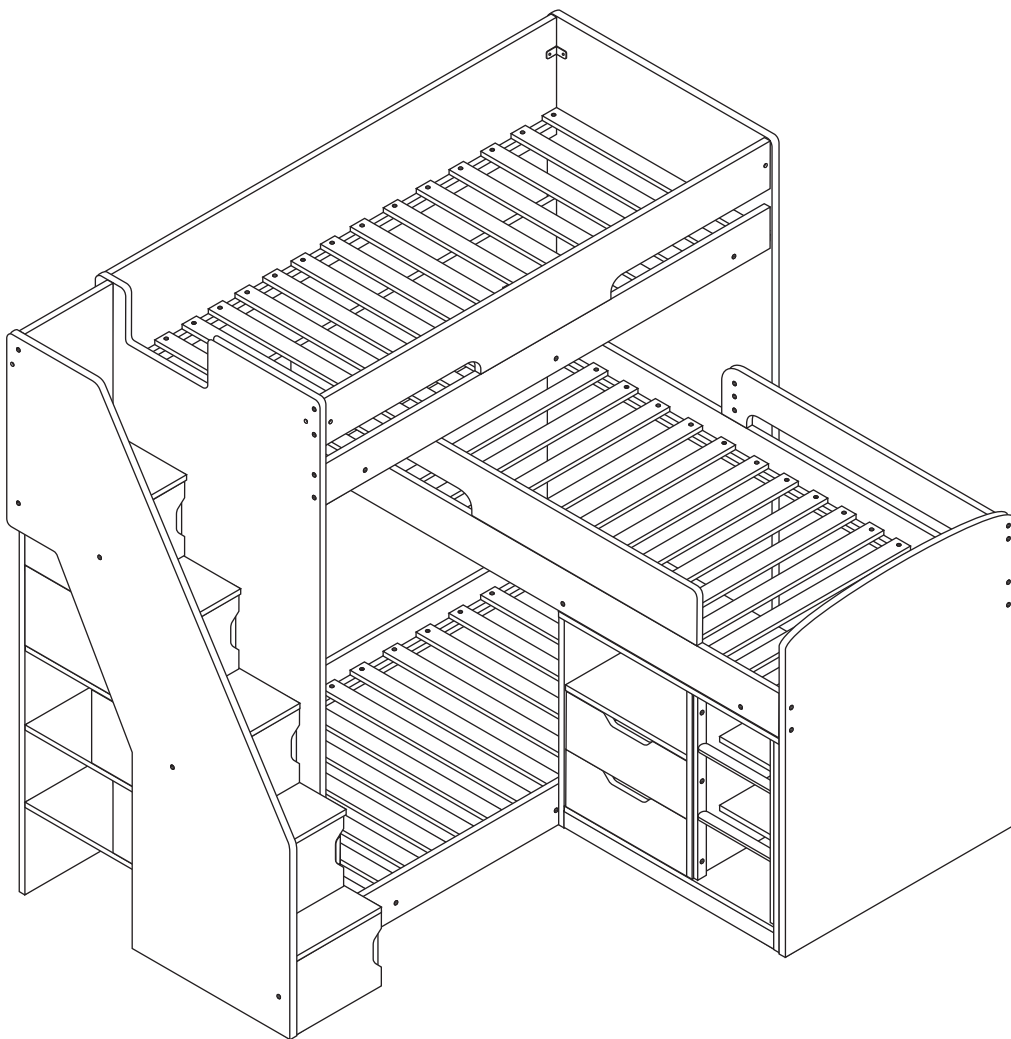


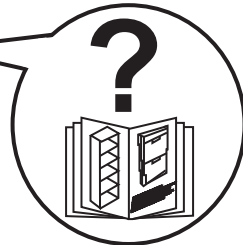
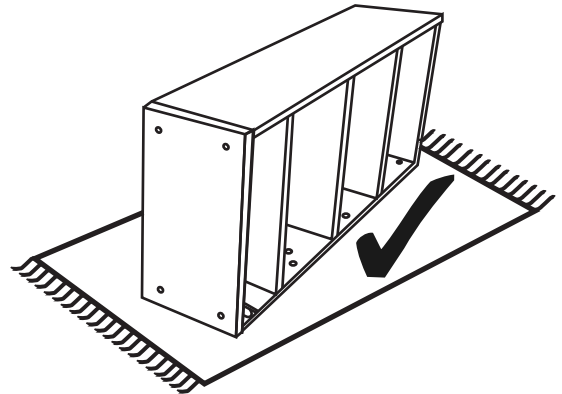
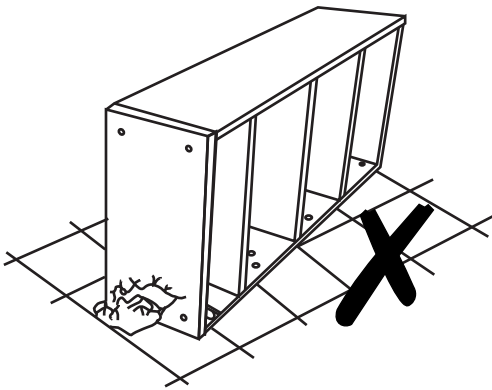
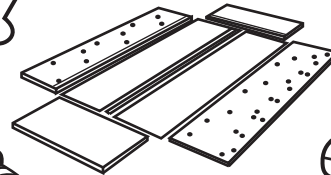
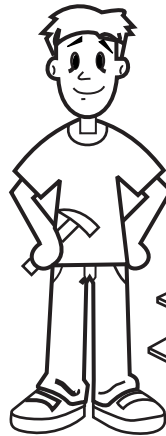
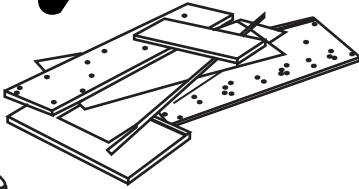
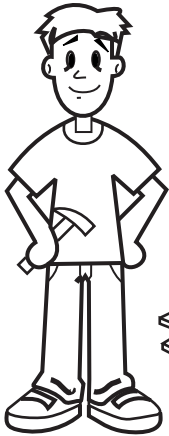
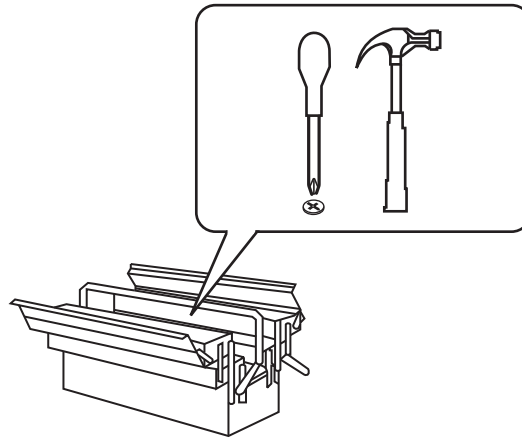
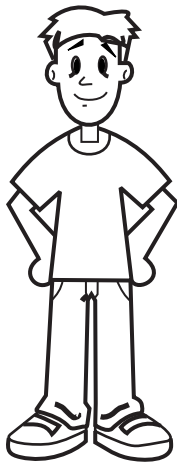
IMPORTANT - READ CAREFULLY - RETAIN
FOR FUTURE REFERENCE

Flair Furnishings

Oscar Triple L Shaped Tall Bunk Bed

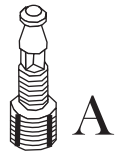
Assembly Instructions





Flair Furniture Ltd
(01924 950 955)

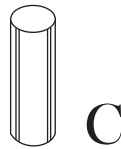
HARDWARE



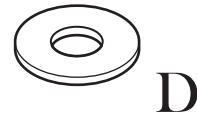
A
70x



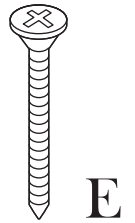
B
70x



C
158x



D
6x



E
19x



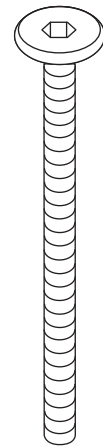
G
8x



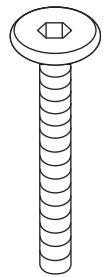
H
80x



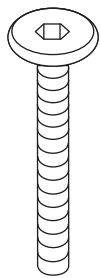
M
39x



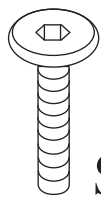
P
2x



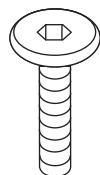
Q
38x



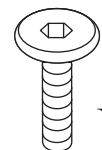
R
29x



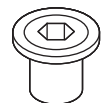
S
96x



T
17x



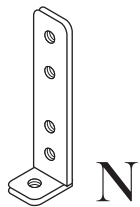
U
25x



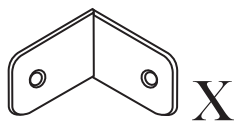
V
36x



Y
8x

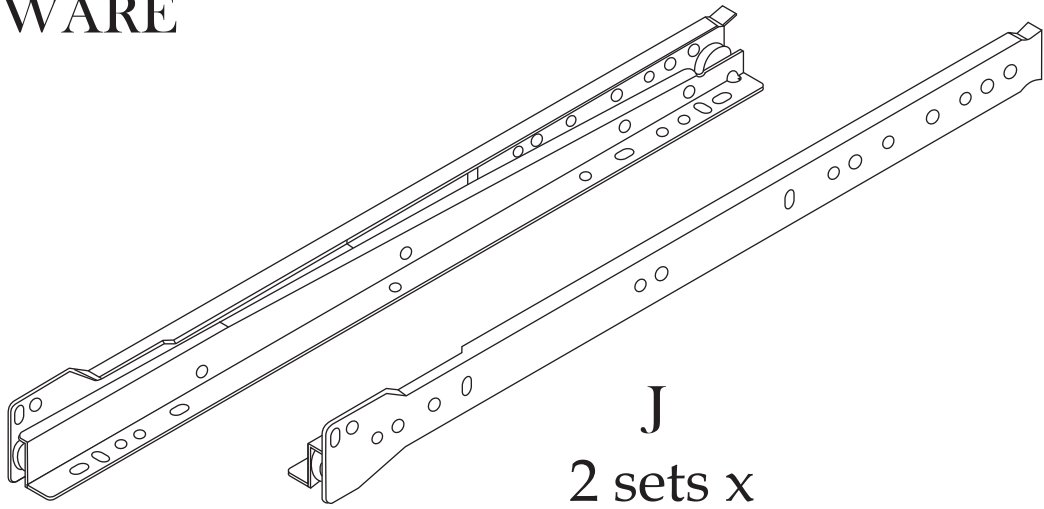


N
2x

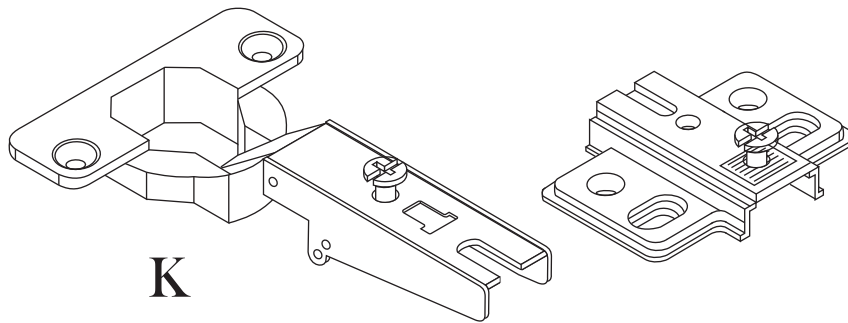


X
9x

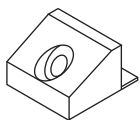
HARDWARE



J
2 sets x

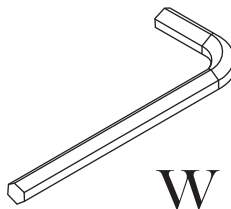


K
10 sets x



8x

L



2x

W

Carton 1 of 6			Carton 3 of 6		
No.	Part Name	Pcs	No.	Part Name	Pcs
②5	Back Side Panel (Upper)	1	③2	Support Panel (Cabinet)	1
②7	Front Side Panel (Upper)	1	③3	Center Panel (Cabinet)	1
④4	Side Panel (Bottom)	1	③4	Left Panel (Cabinet)	1
④6	Side Panel (Bottom)	1	③5	Right Panel (Cabinet)	1
⑤0	Back Panel	1	③8	Top Panel (Cabinet)	1
⑤2	Metal Side Rail	6	③9	Back Panel (Drawer)	2
Assembly Instructions + Fitting List			④0	Left Panel (Drawer)	2
			④1	Right Panel (Drawer)	2
Carton 2 of 6			④2	Bottom Panel (Drawer)	2
⑤5	Top Panel (1st Ladder Step)	1	④3	Front Panel (Drawer)	2
⑤8	Back Panel (2nd Ladder Step)	2	⑤1	Movable Panel (Cabinet)	2
⑤9	Top Panel (2nd Ladder Step)	1			
⑫2	Top Panel (3rd Ladder Step)	1	Carton 4 of 6		
⑮5	Top Panel (4th Ladder Step)	1	⑤3	LVL Slats	48
⑰8	Top Panel (5th Ladder Step)	1	⑤5	Ladder	1
⑰1	Ladder Back Panel	1			
⑰2	Door	1	Carton 5 of 6		
⑰3	Door	4	③6	Back Panel (Cabinet)	1
⑰4	Back Side Panel (Bottom)	2	③7	Back Panel (Cabinet)	1
			④8	Footboard	1
			④9	Right End Panel	1
Carton 3 of 6					
①1	Ladder Bottom Panel	1	Carton 6 of 6		
①2	Left Panel (1st Ladder Step)	1	⑰9	Ladder Left Panel	1
①3	Right Panel (1st Ladder Step)	1	⑰0	Ladder Right Panel	1
①4	Back Panel (1st Ladder Step)	1			
①6	Left Panel (2nd Ladder Step)	1			
①7	Right Panel (2nd Ladder Step)	1			
①0	Left Panel (3rd Ladder Step)	1			
①1	Right Panel (3rd Ladder Step)	1			
①3	Left Panel (4th Ladder Step)	1			
①4	Right Panel (4th Ladder Step)	1			
①6	Left Panel (5th Ladder Step)	1			
①7	Right Panel (5th Ladder Step)	1			
⑰9	Plinth Panel (Cabinet)	2			
③0	Bottom Panel (Cabinet)	1			
③1	Center Support Panel (Cabinet)	1			

Box1 + assembly instructions & fixings

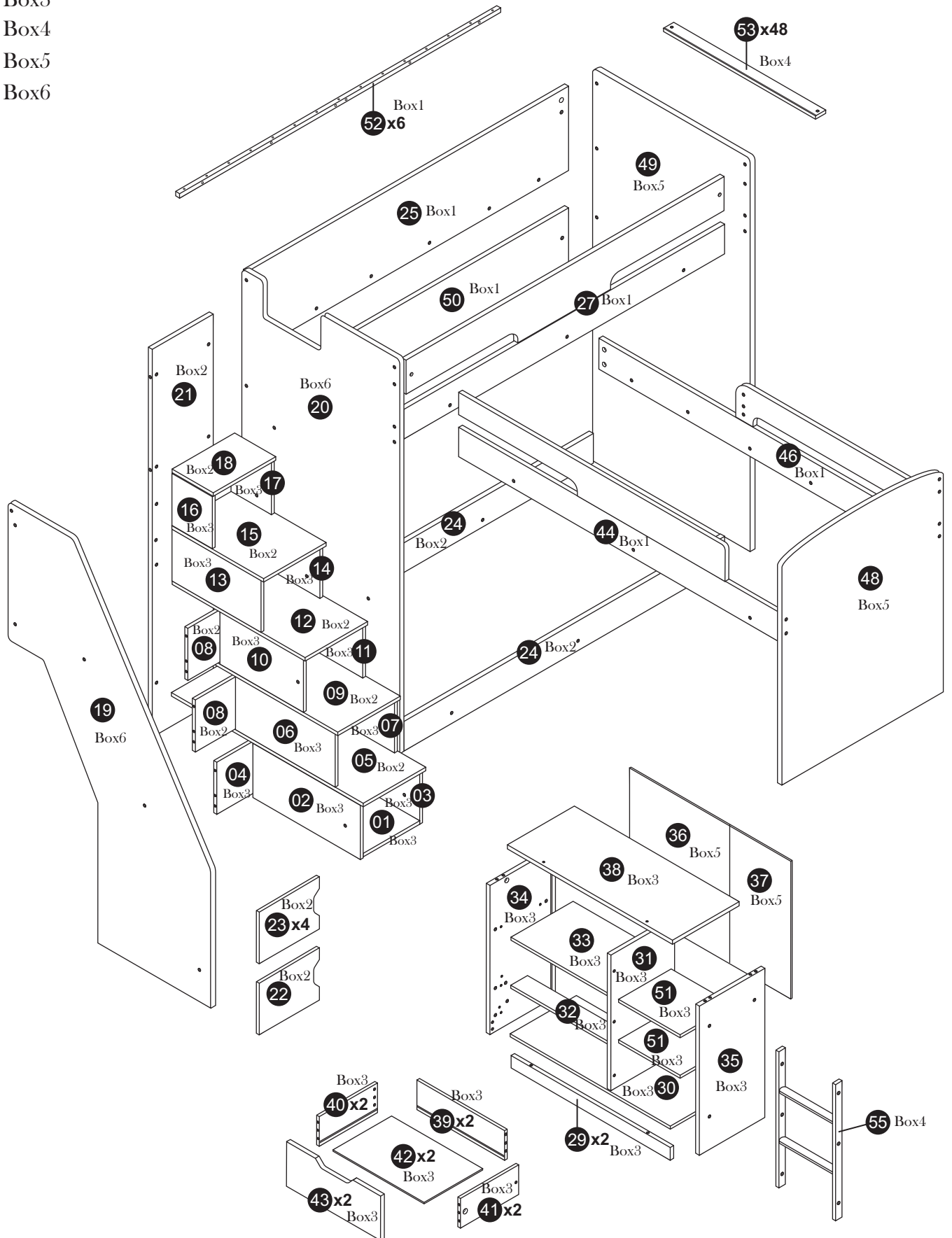
Box2

Box3

Box4

Box5

Box6



Safety Advice

WARNING: This bunk is intended for use by children only, with a maximum recommended weight of 75 Kg. Flair Furnishings cannot be held responsible for failure or damage to the bunk or personal injuries should this warning be ignored.

Please take the time to carefully read through the whole of these instructions before you commence.

Keep these instructions for future reference.

Unpack, inspect and check off all of the contents.

Please dispose of all packaging safely.

Small component parts could choke a child if swallowed.

We strongly recommend that you keep children well away from the work area.

It would be sensible to lay a sheet or blanket on the floor where you intend to work to avoid scratching this product and to protect your floor.

This product is heavy. Take extreme care when lifting to avoid personal injury or damage to the product.

Assemble the product as close to its intended final position in the room as possible.

Please check the contents of the boxes before attempting to assemble this product.

A full checklist of parts and fittings is given in pages 3 and 4 of this instruction leaflet.

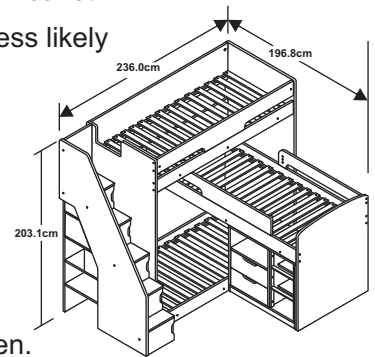
HANDY HINT: If you keep the hardware in a bowl during assembly you will less likely to lose them.

Important Information

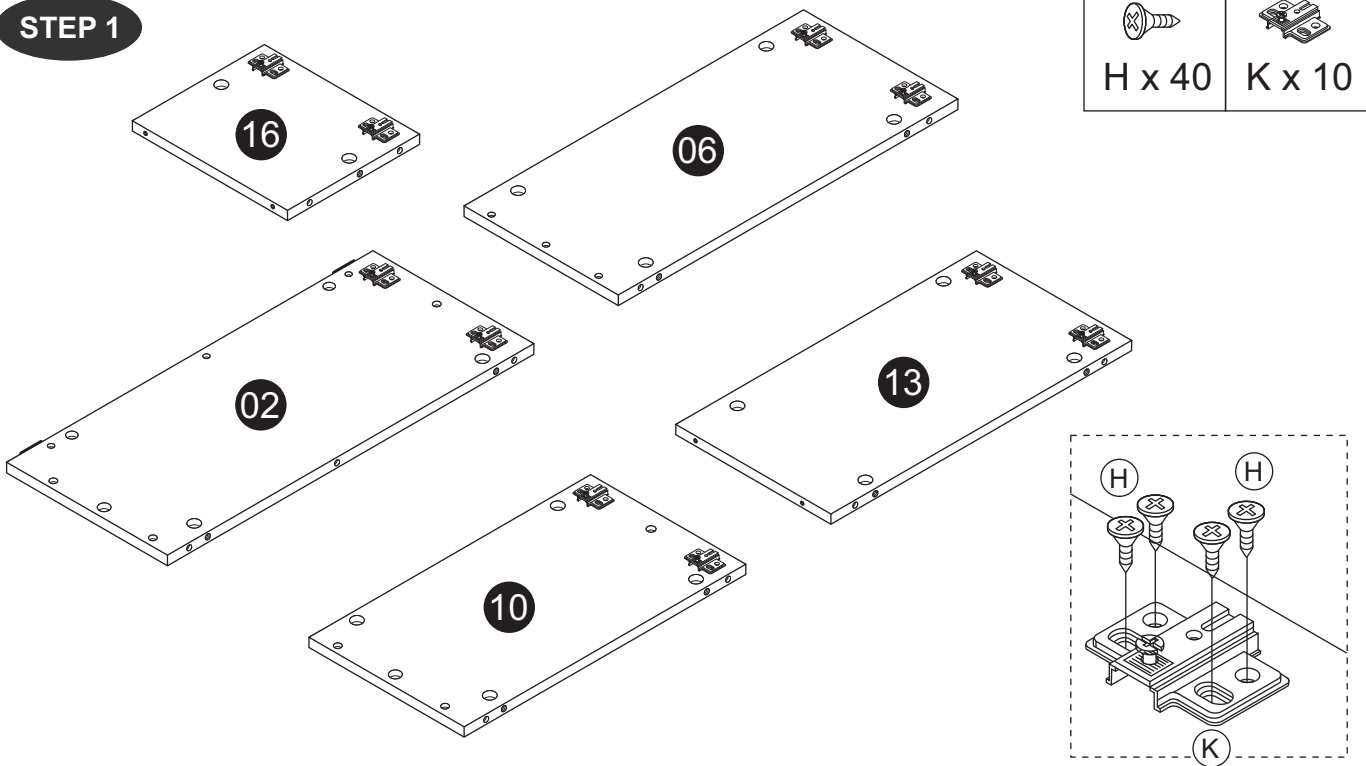
Tighten firmly all the fittings when the assembly is complete.

The bed base is an integral and indissociable part of the bed.

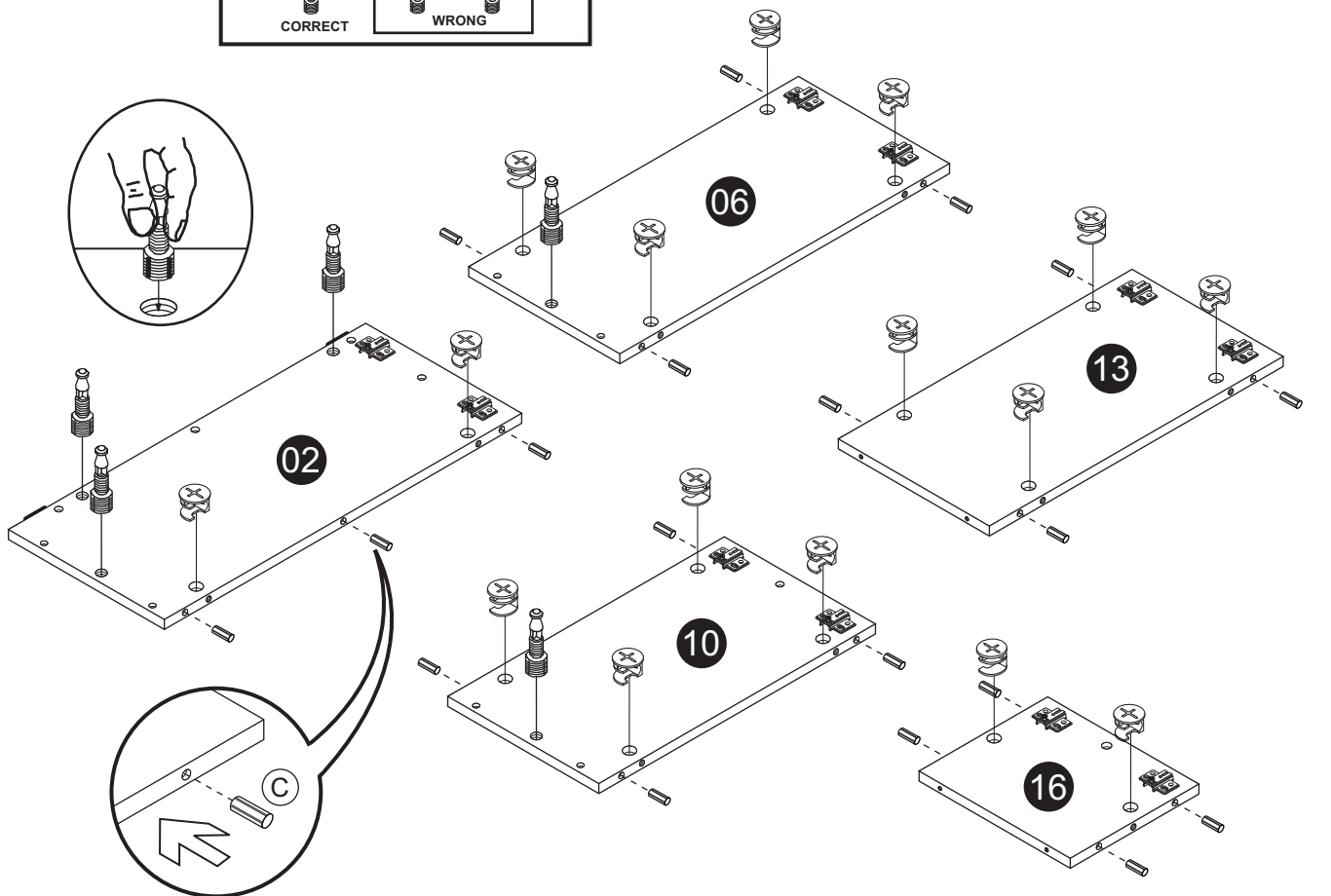
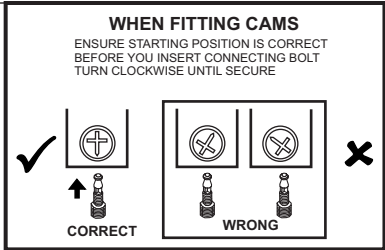
- a) **WARNING:** High beds and the upper bed of bunk beds are not suitable for children under six years due to the risk of injury through falls. It is not safe to use this product if any part of the structure is missing or broken. Children could strangle themselves with articles, such as ropes, strings, cords, harnesses and belts attached to, or hung on this product.
- b) **WARNING:** "Bunk beds and high beds can present a serious risk of injury from strangulation if not used correctly. Never attach or hang items to any part of the bunk bed that are not designed to be used with the bed, for example, but not limited to ropes, strings, cords, hooks, belts and bags"
- c) **WARNING:** Children can become trapped between the bed and the wall. To avoid risk of serious injury the distance between the top safety barrier and the wall shall not exceed 75 mm or shall be more than 230mm. The largest size of the mattress recommended is: 190 X 90 X 18 cm.
- d) **WARNING:** Do not use the bunk bed/high bed if any structural part is broken or missing;
- e) Always follow the manufacturer's instructions;
- f) Ventilation of the room is necessary in order to keep the humidity low and to prevent mould in and around the bed;
- g) This bunk bed conforms to BS EN 747-1:2012 + AI : 2015



STEP 1

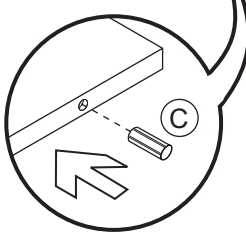
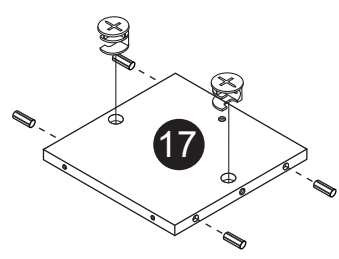
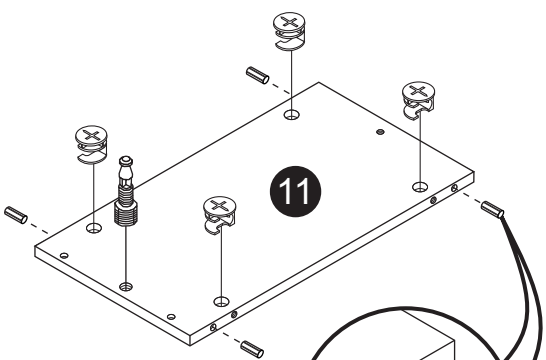
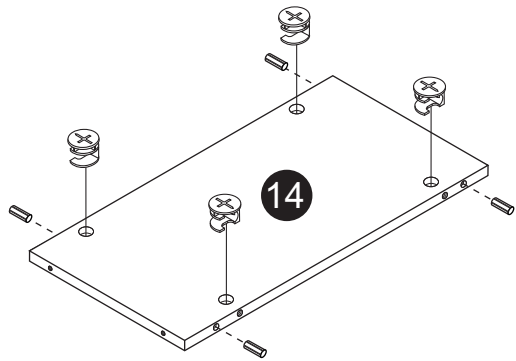
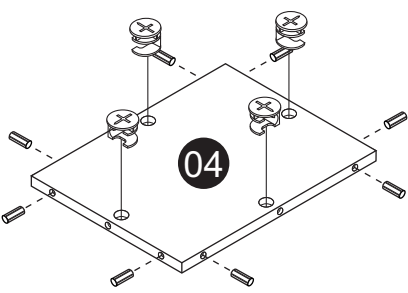
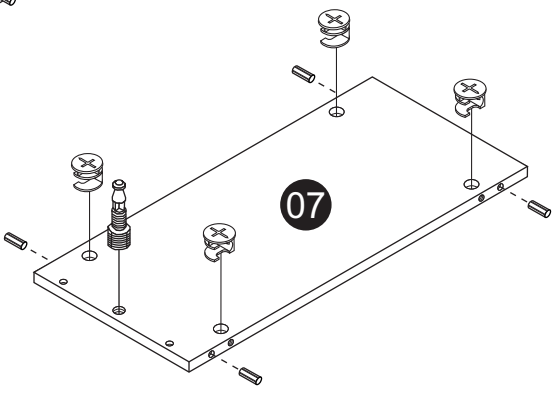
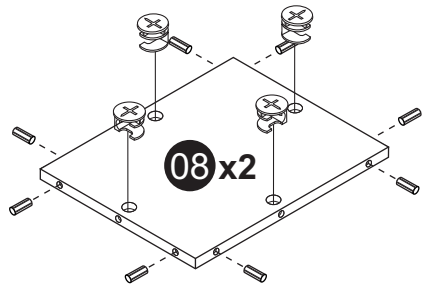
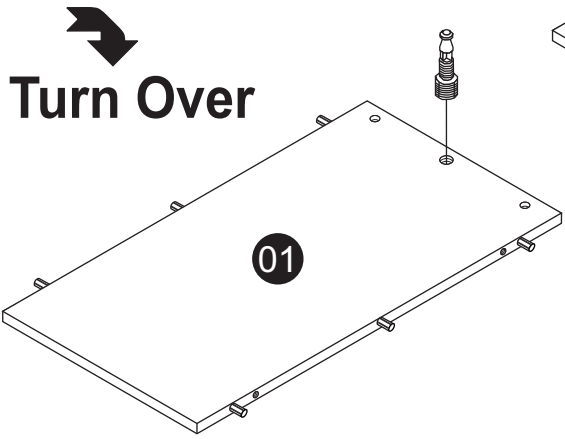
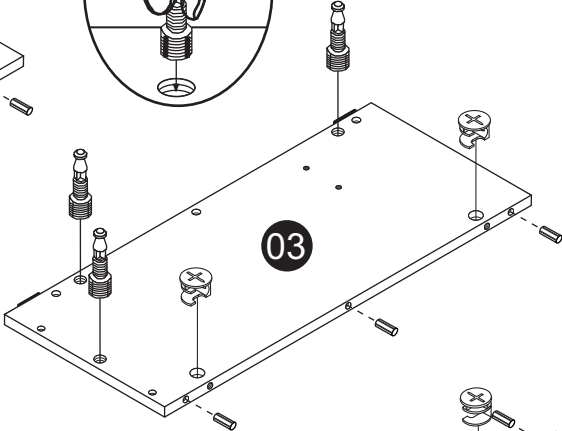
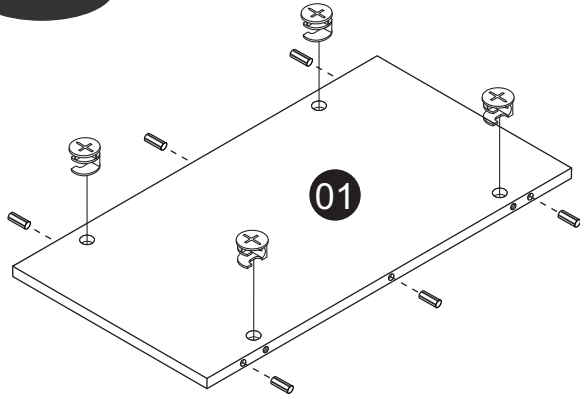
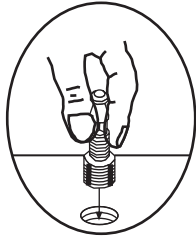


STEP 2


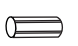


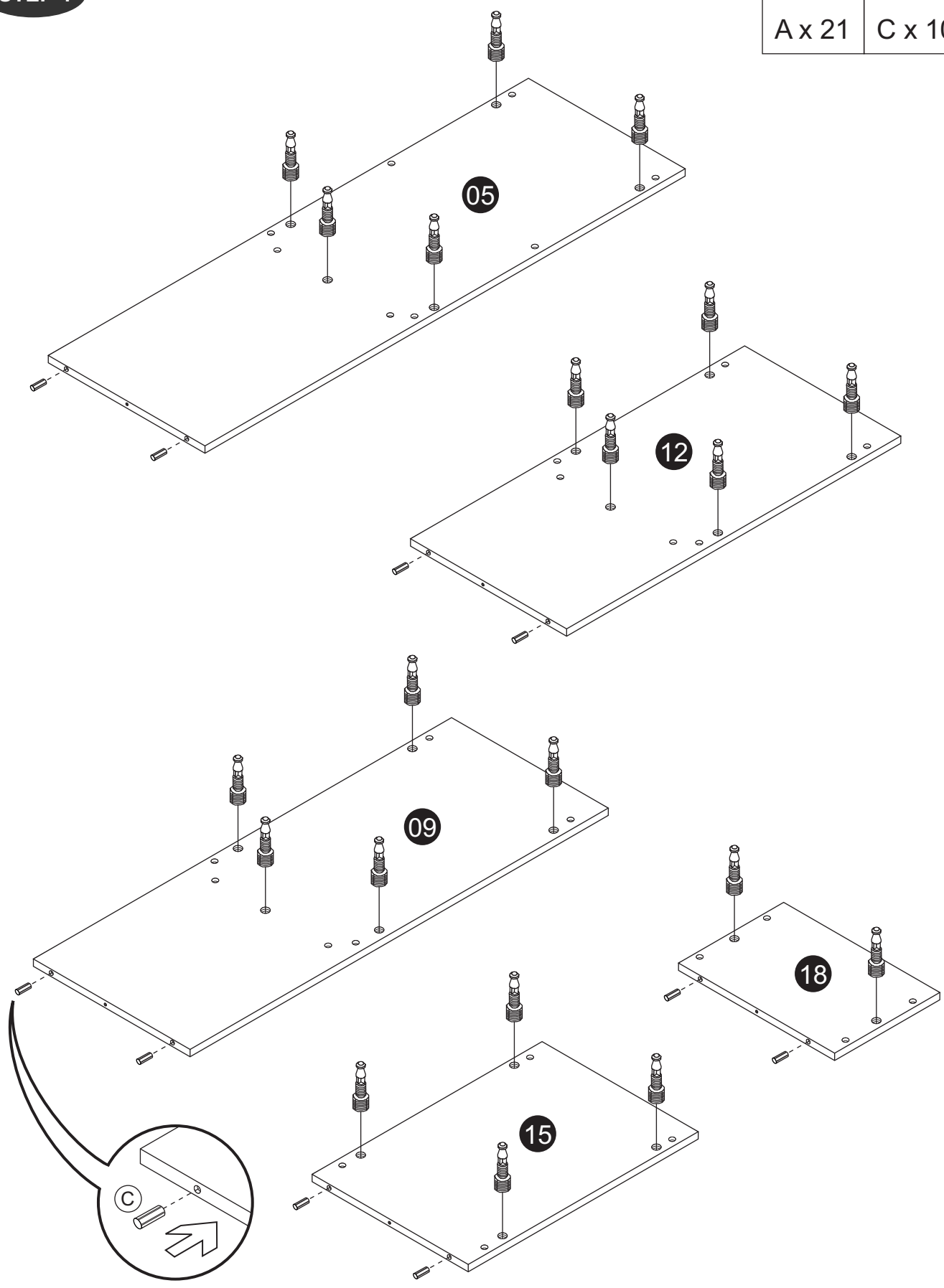
STEP 3

		
A x 6	B x 32	C x 49

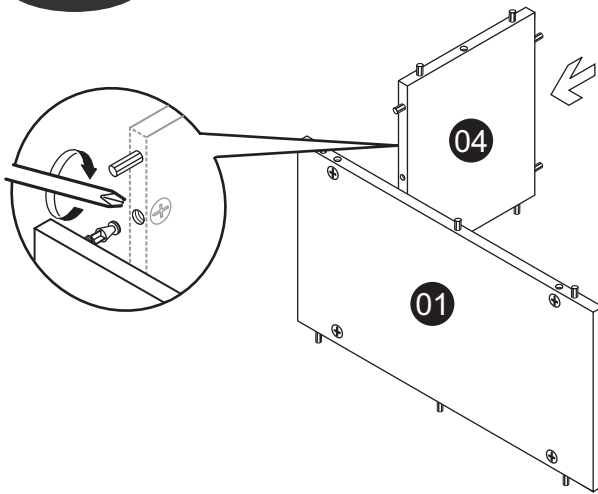


STEP 4

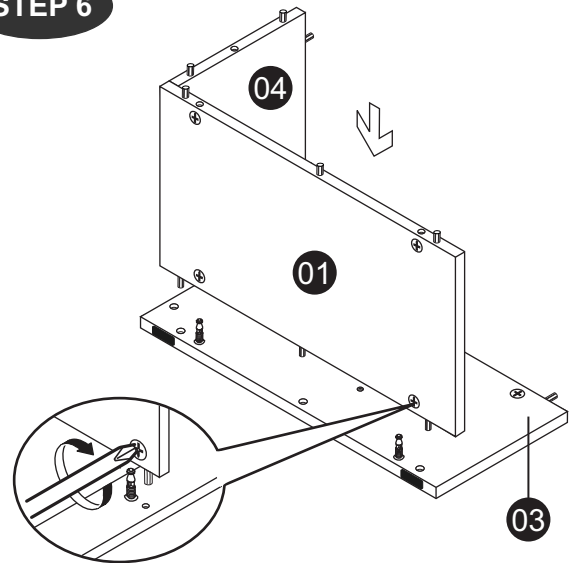
	
A x 21	C x 10



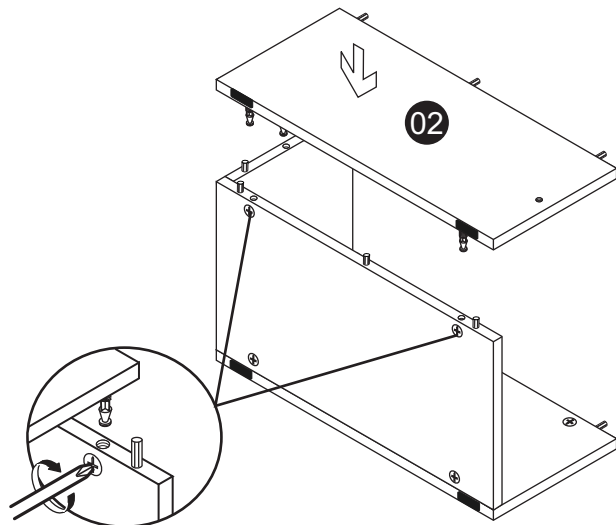
STEP 5



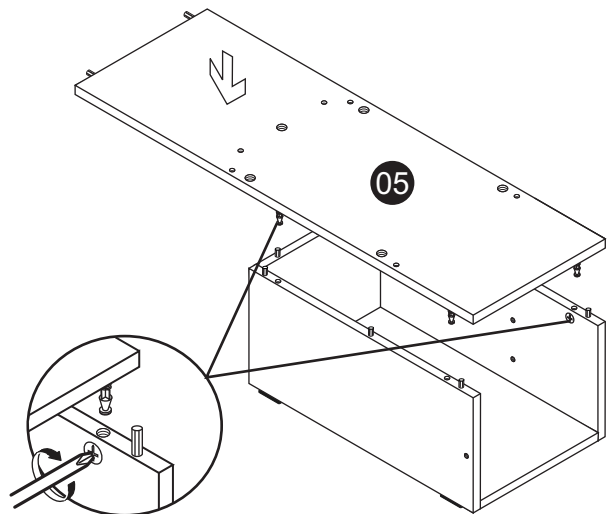
STEP 6



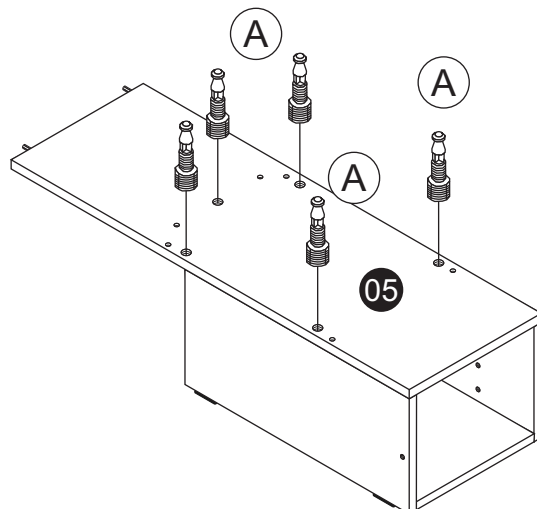
STEP 7



STEP 8

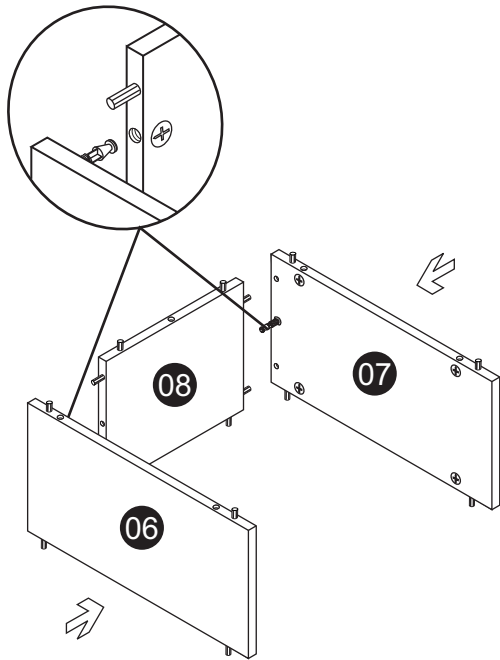


STEP 9

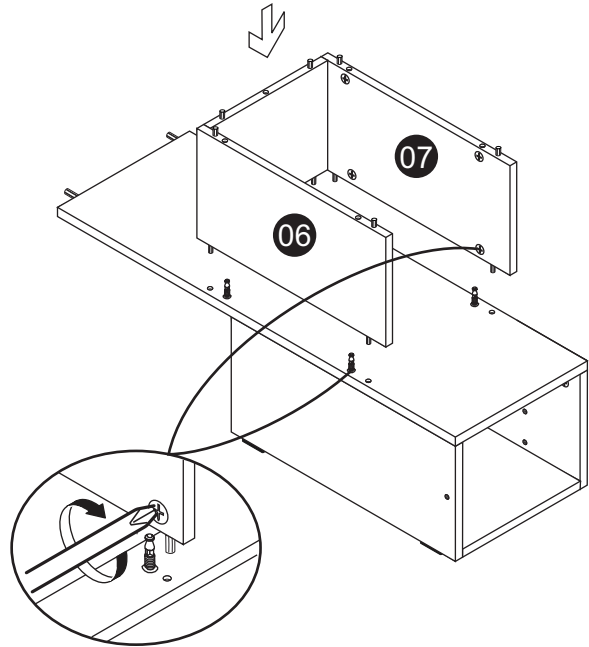


A x 5

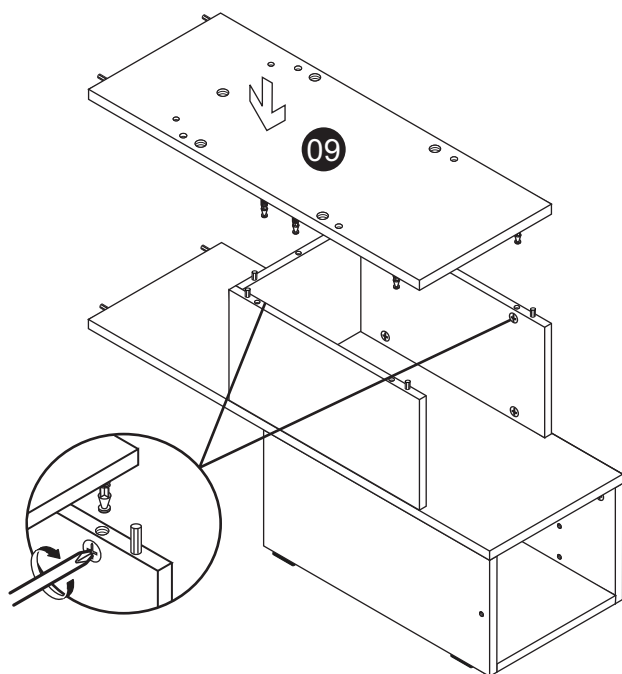
STEP 10



STEP 11



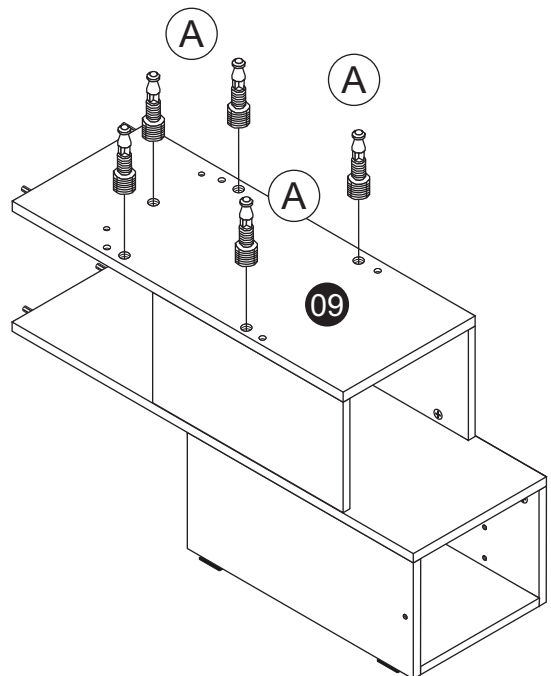
STEP 12



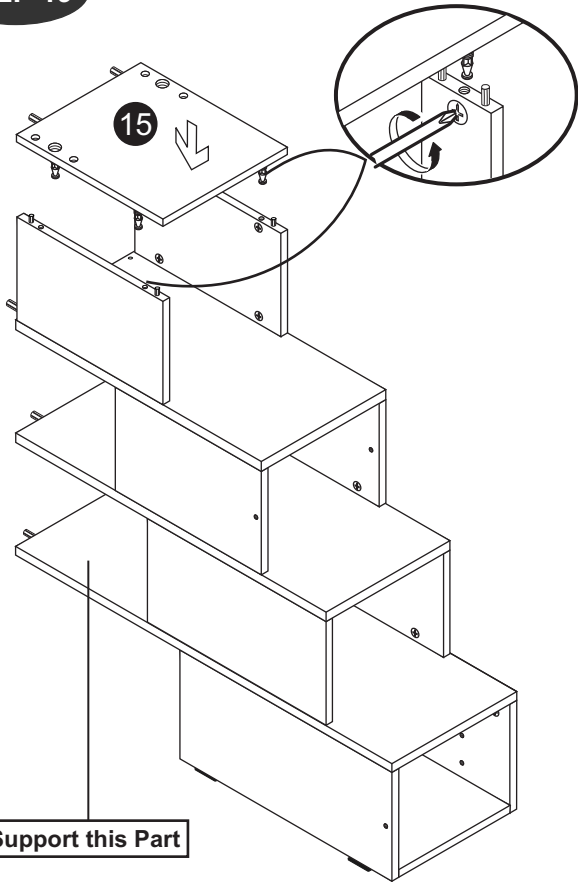
STEP 13



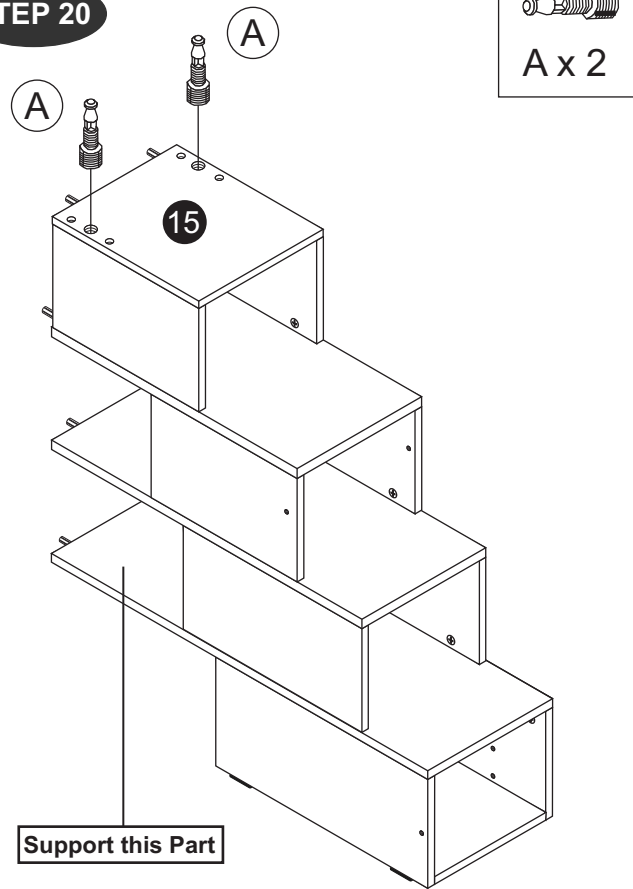
A x 5



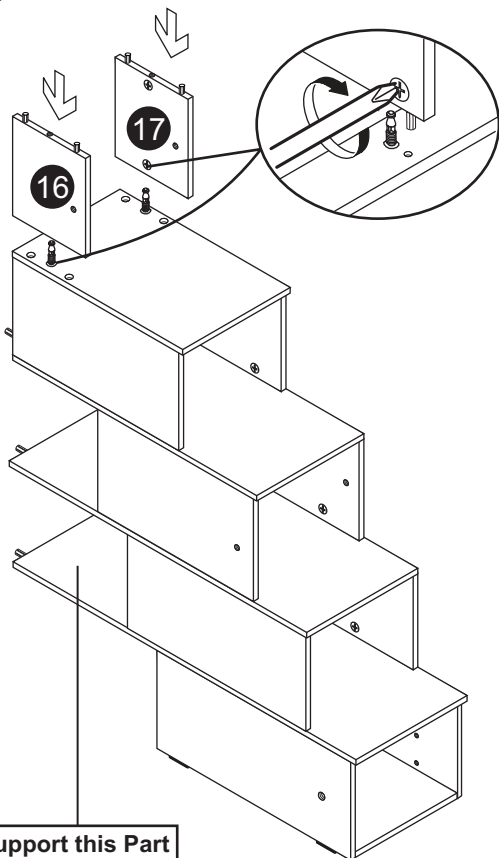
STEP 19



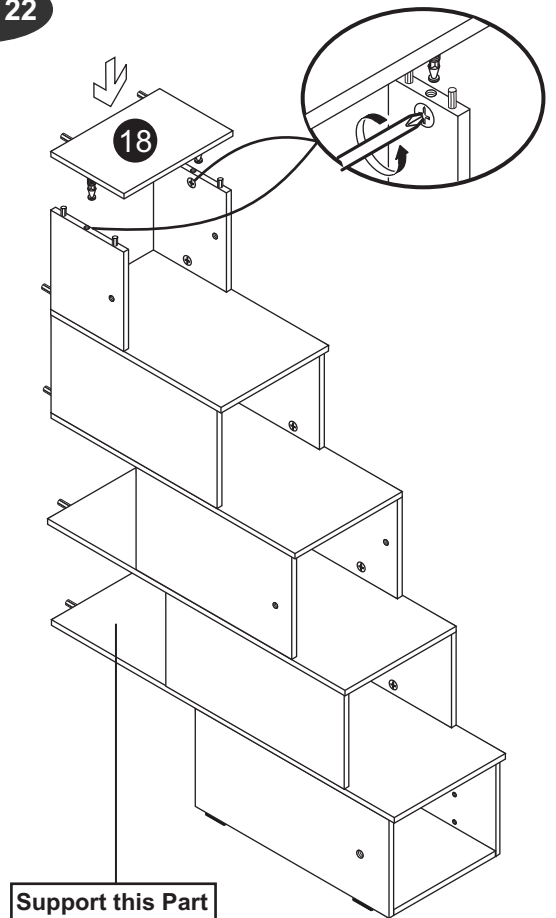
STEP 20



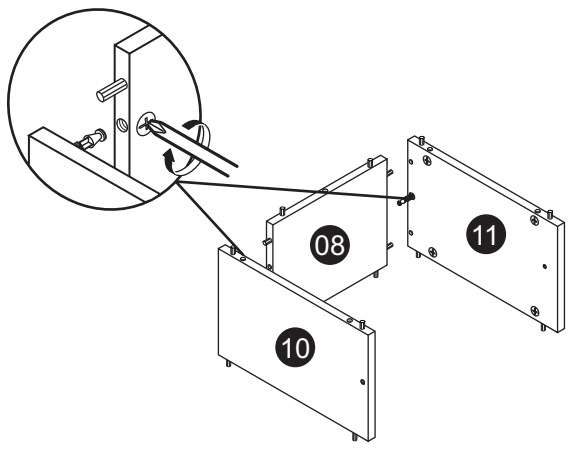
STEP 21



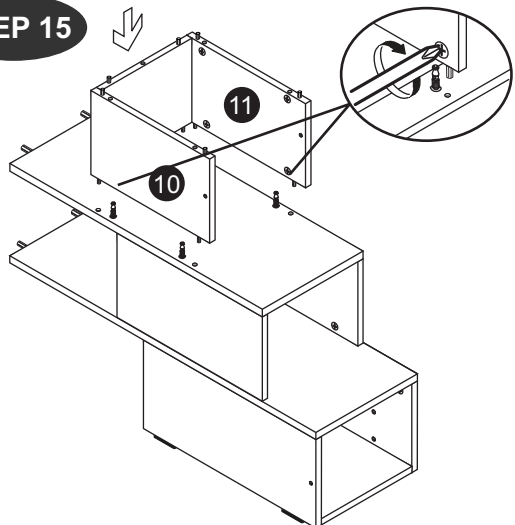
STEP 22



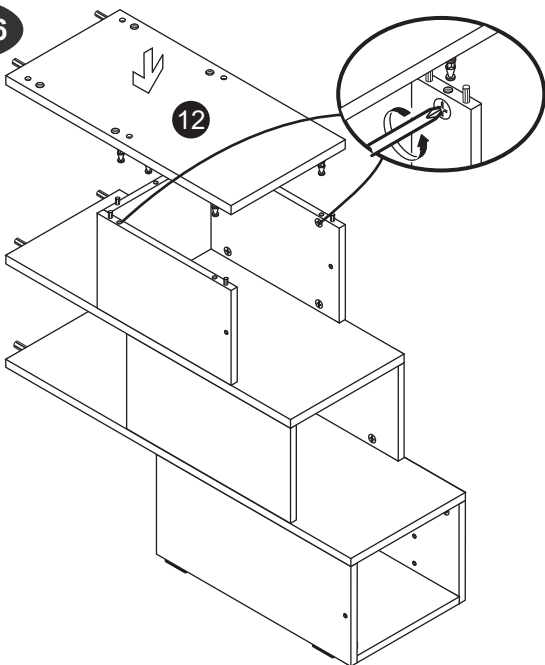
STEP 14



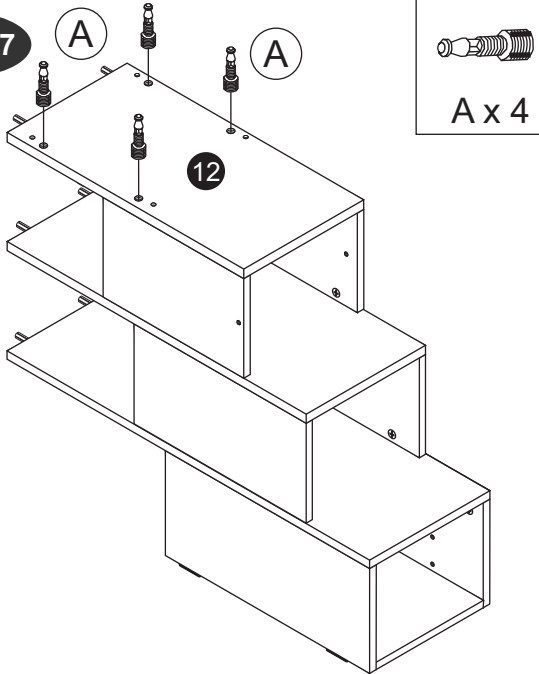
STEP 15



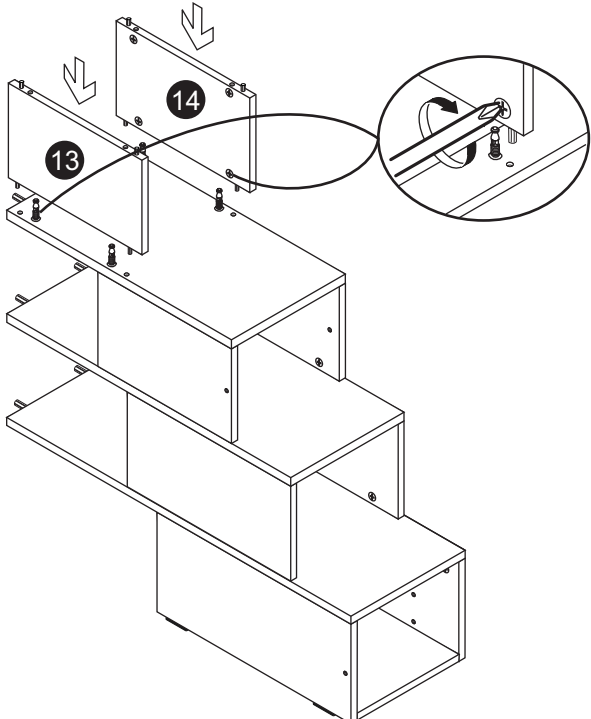
STEP 16

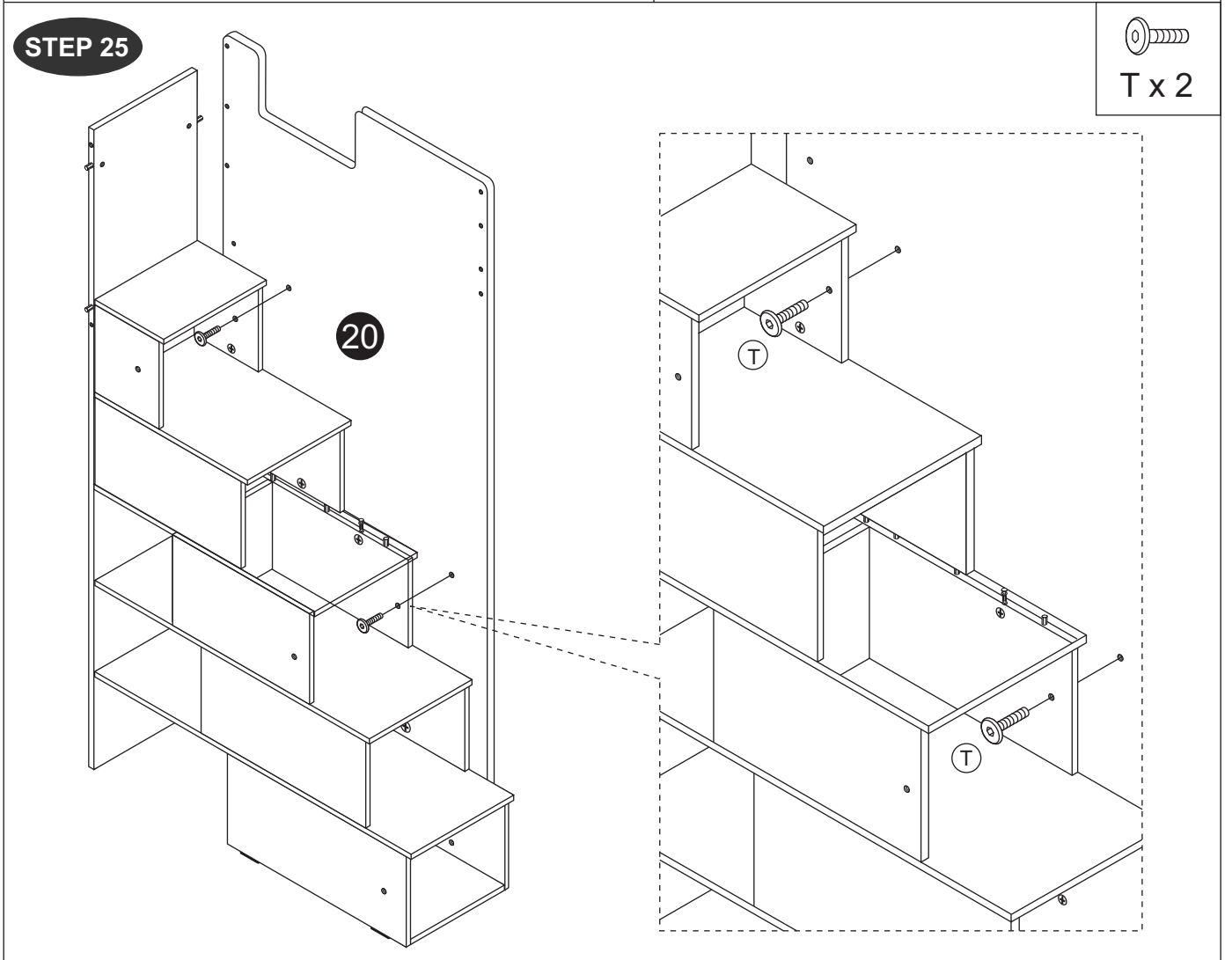
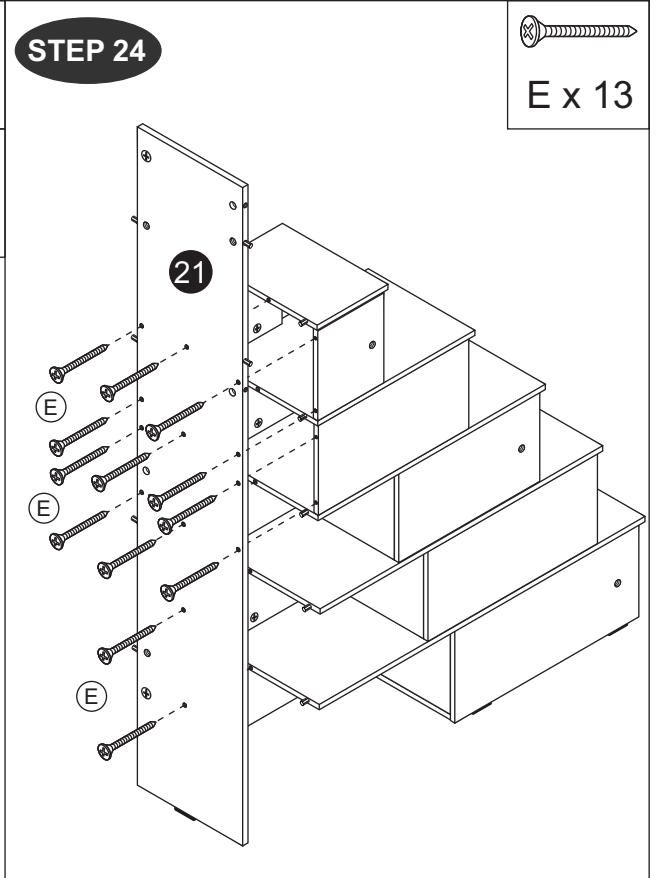
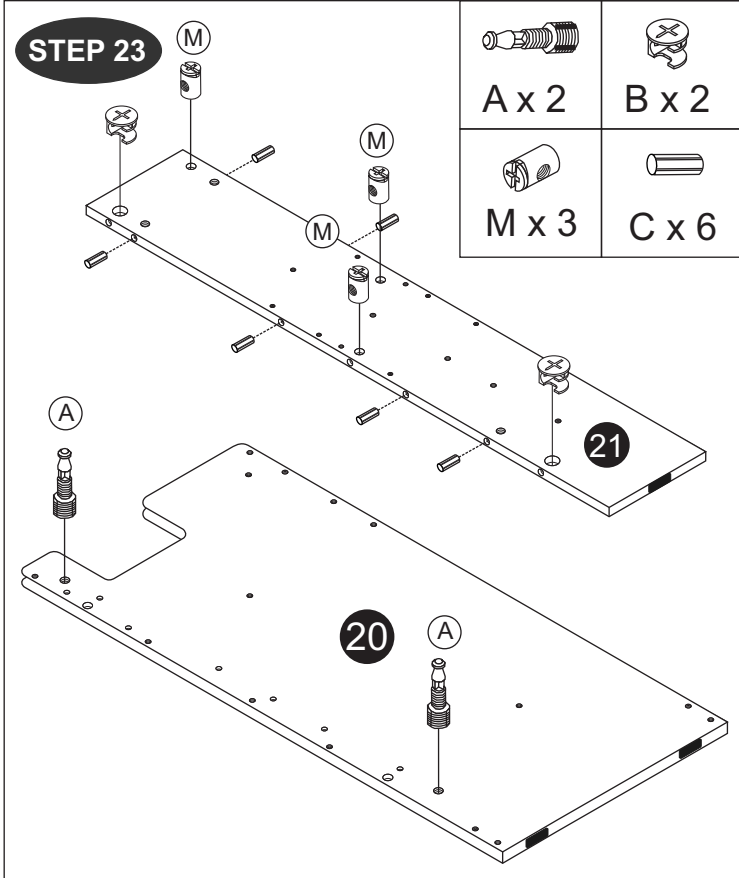


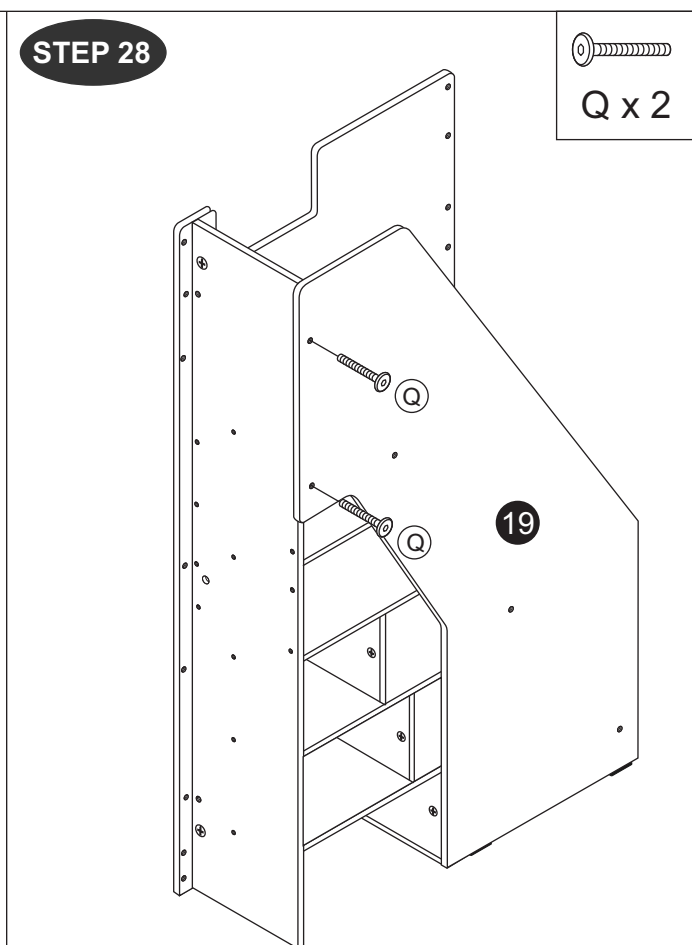
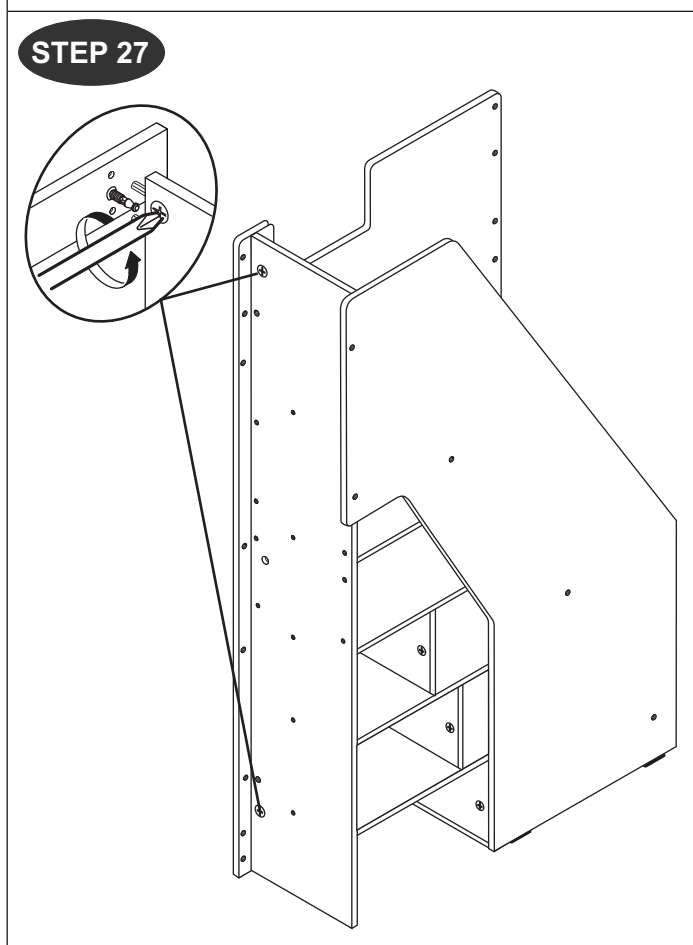
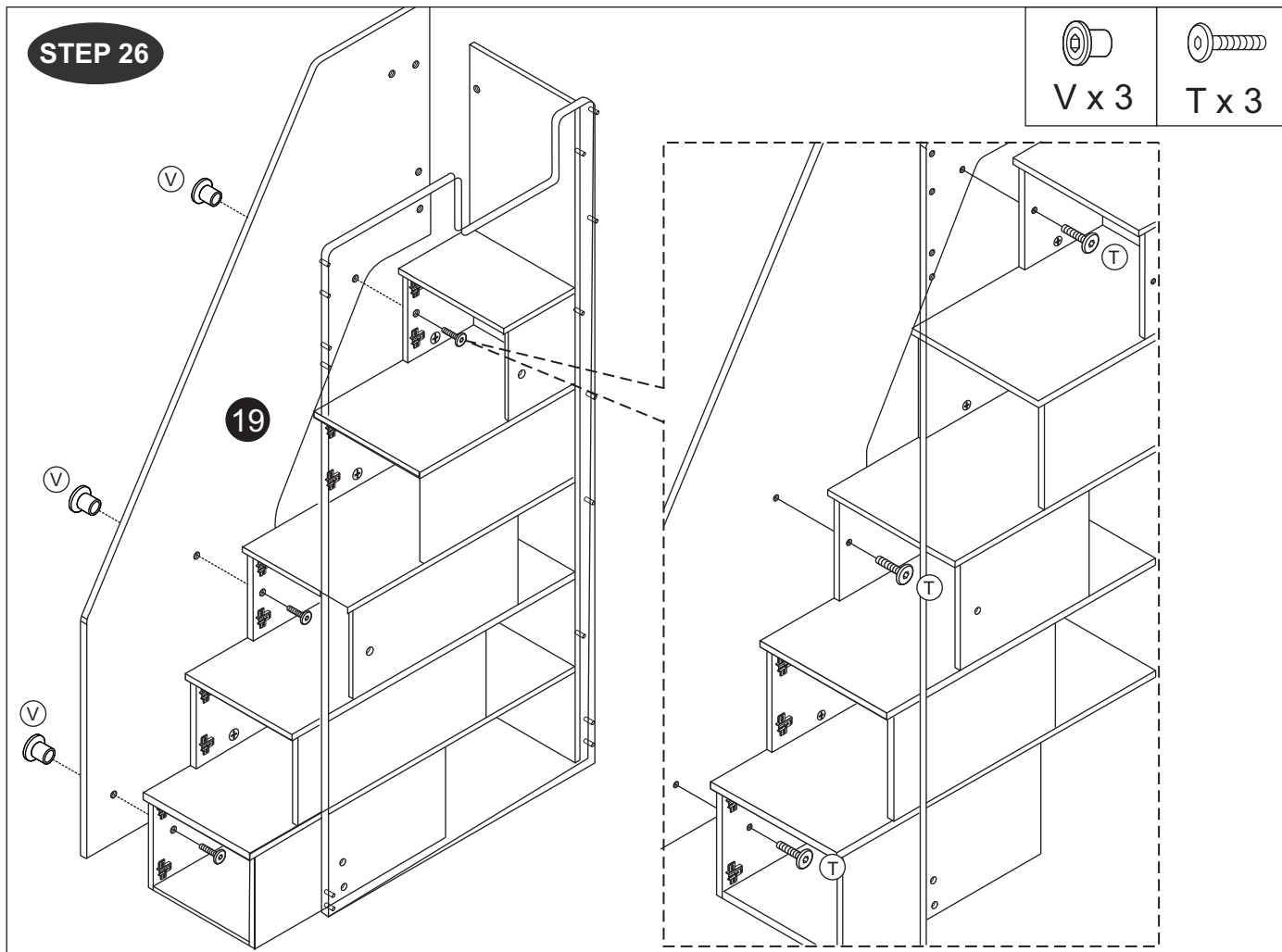
STEP 17





STEP 18

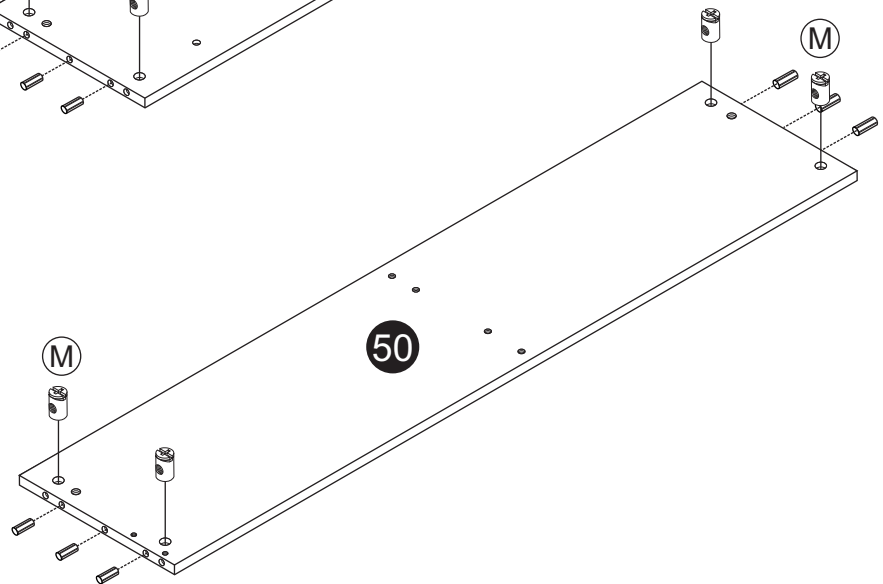
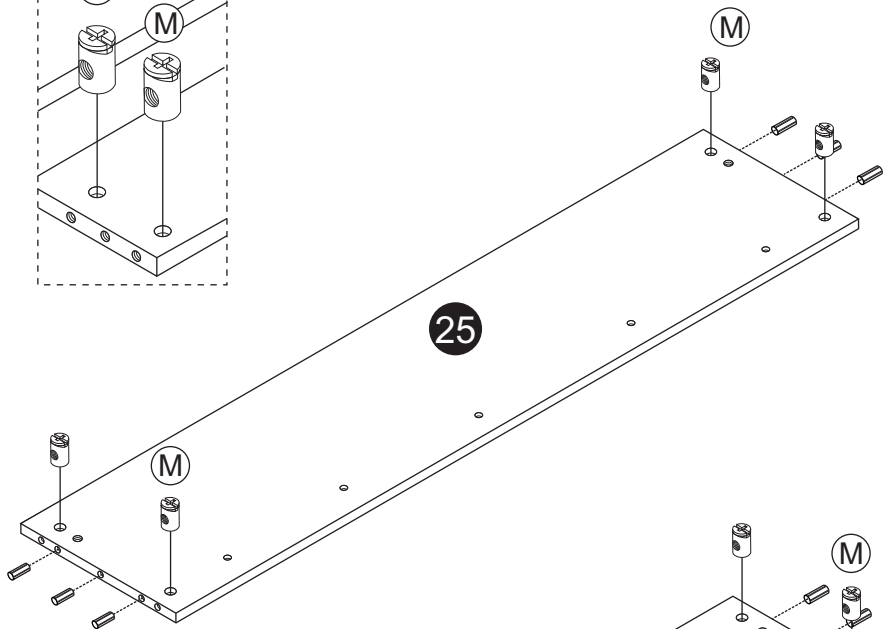
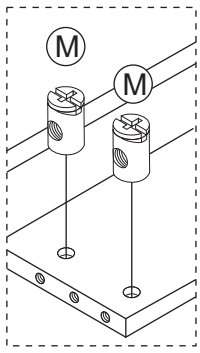
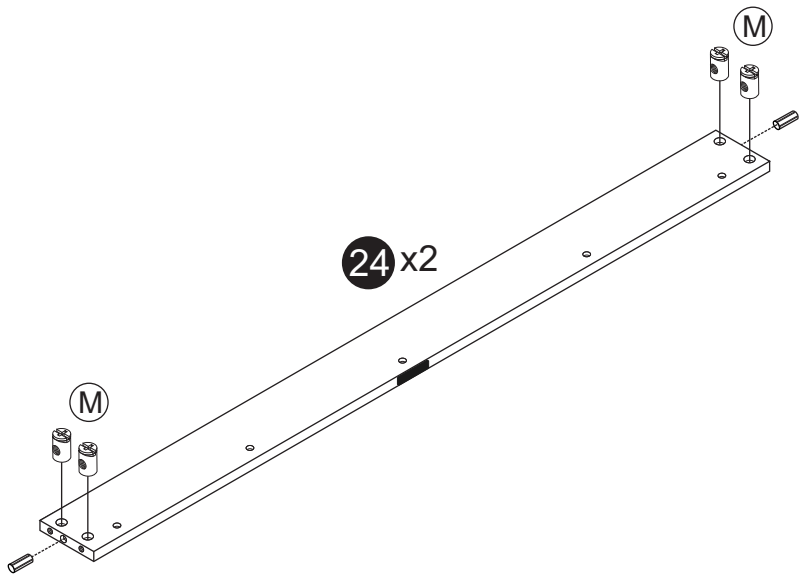


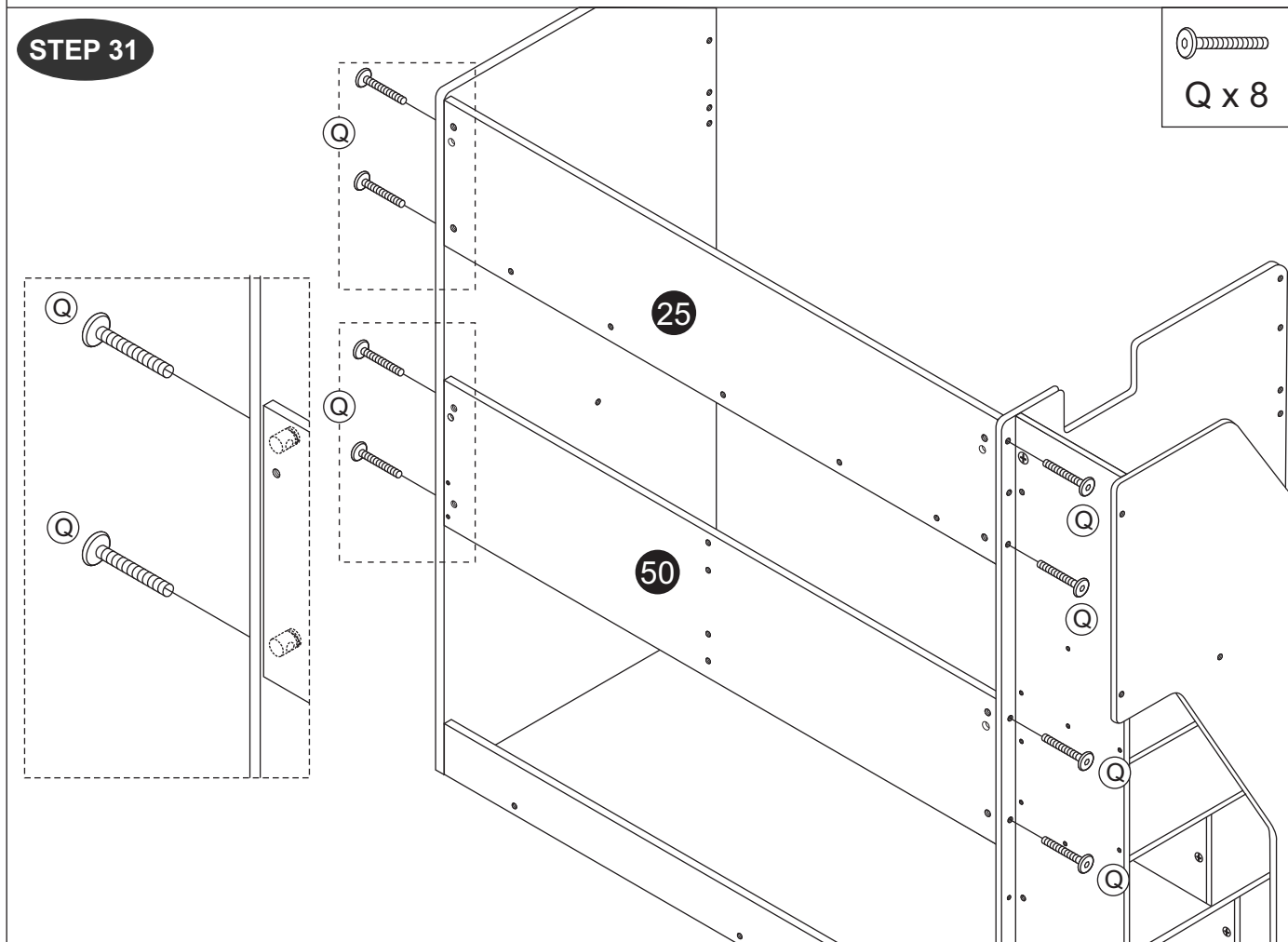
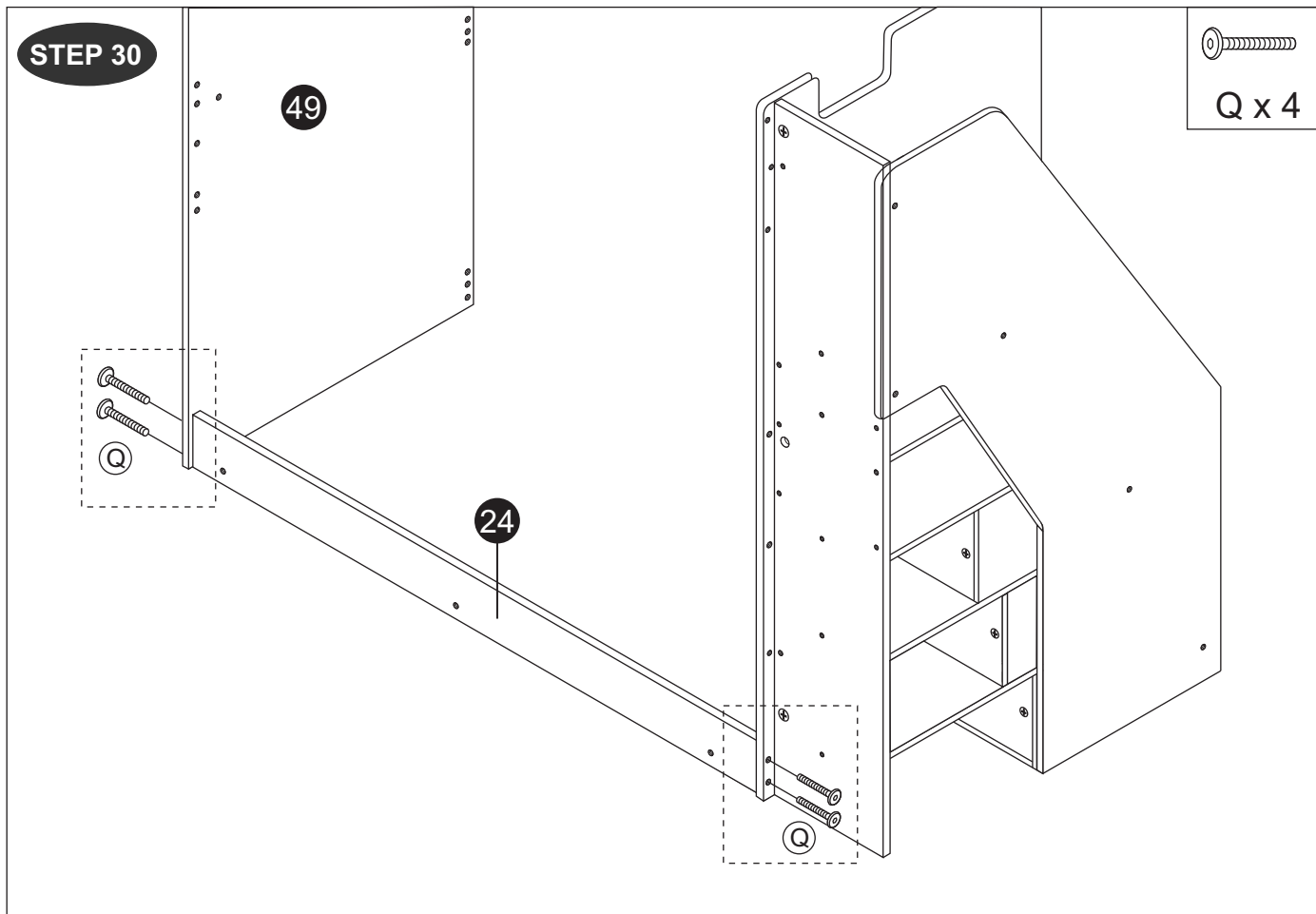




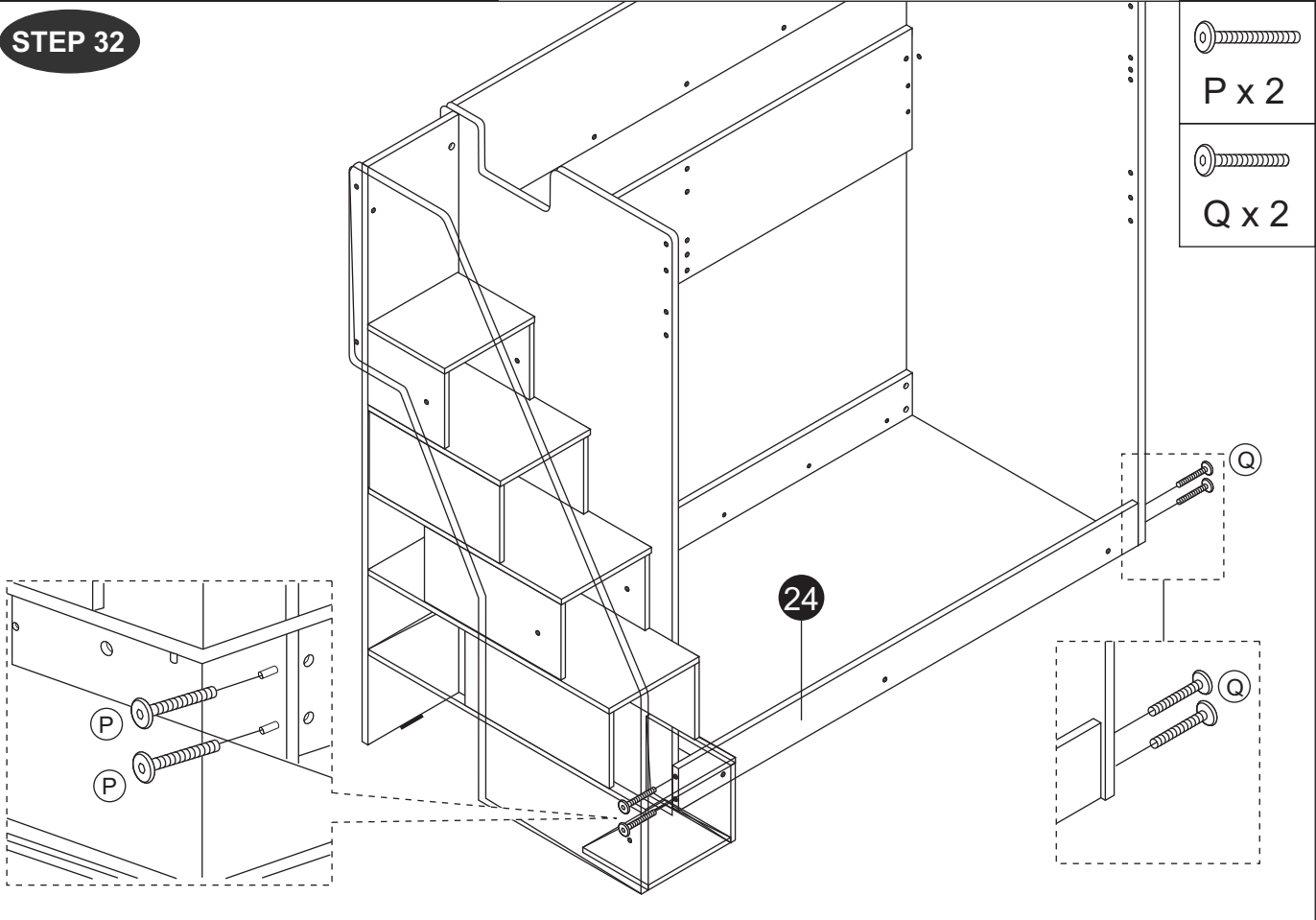
STEP 29

	
C x 16	M x 16

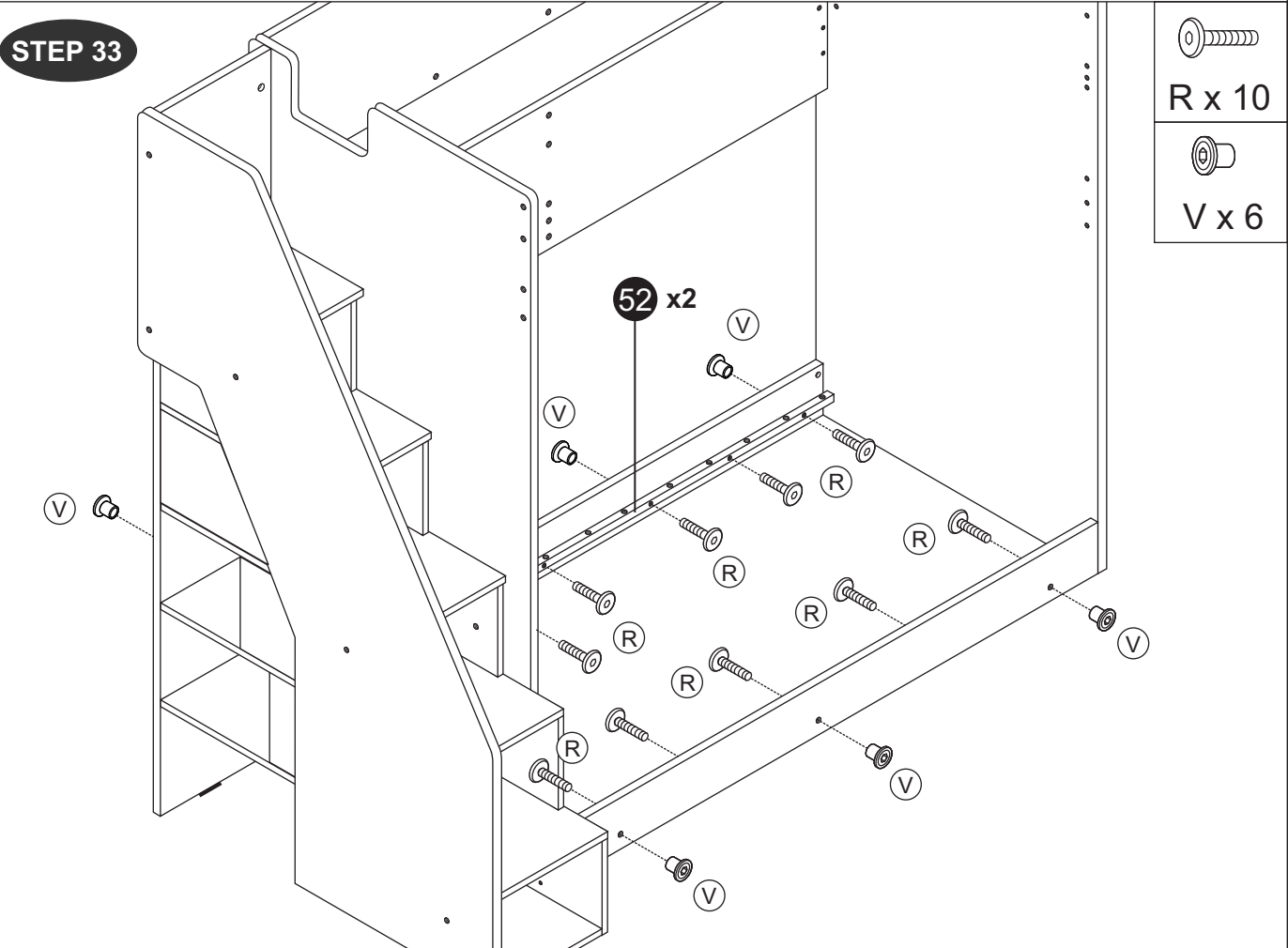




STEP 32

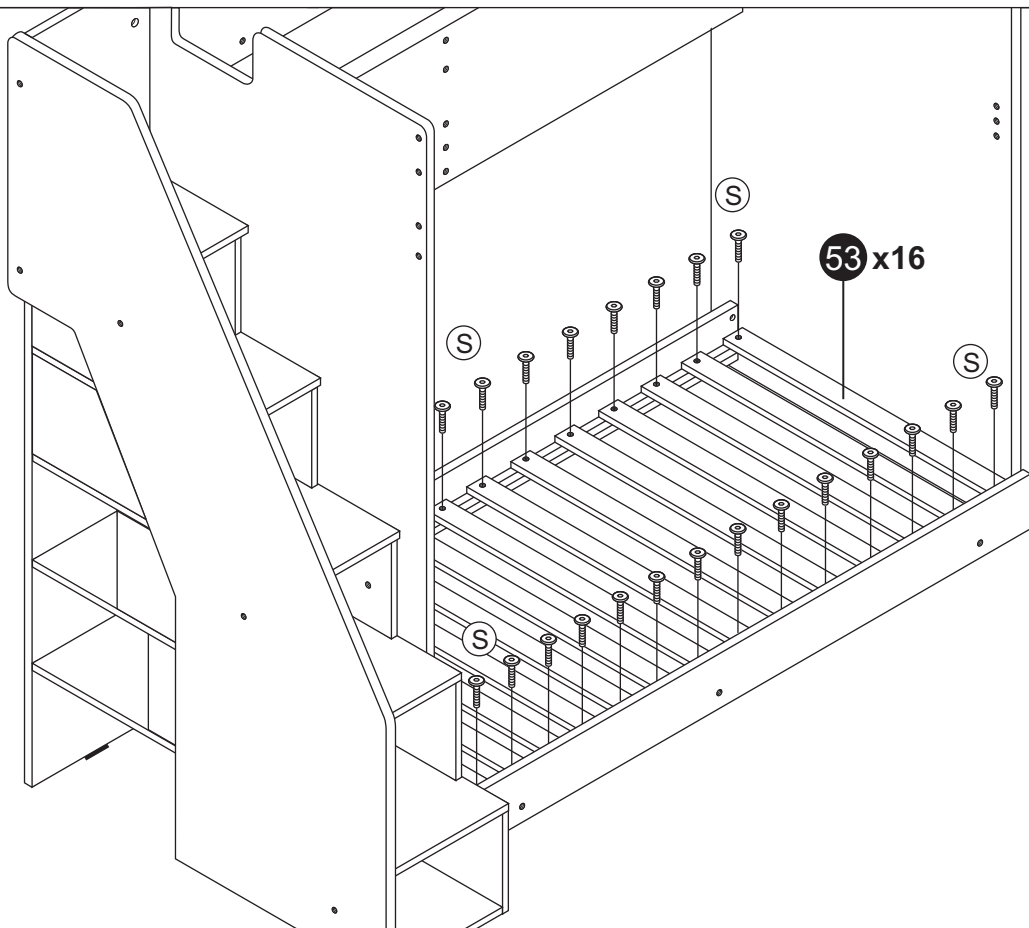


STEP 33

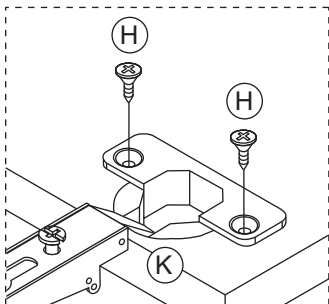


STEP 34


S x 32

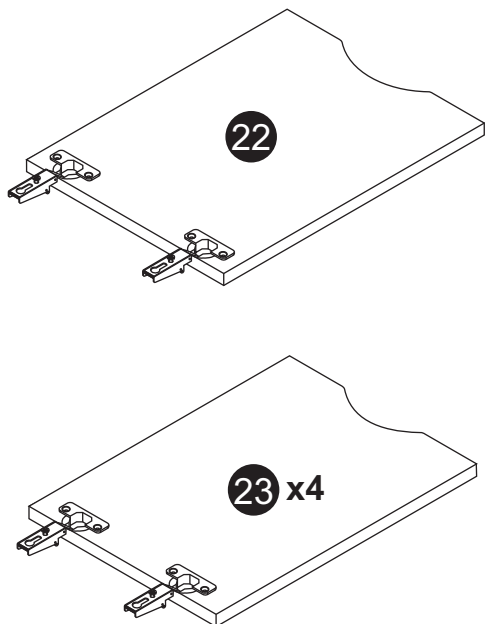


STEP 35

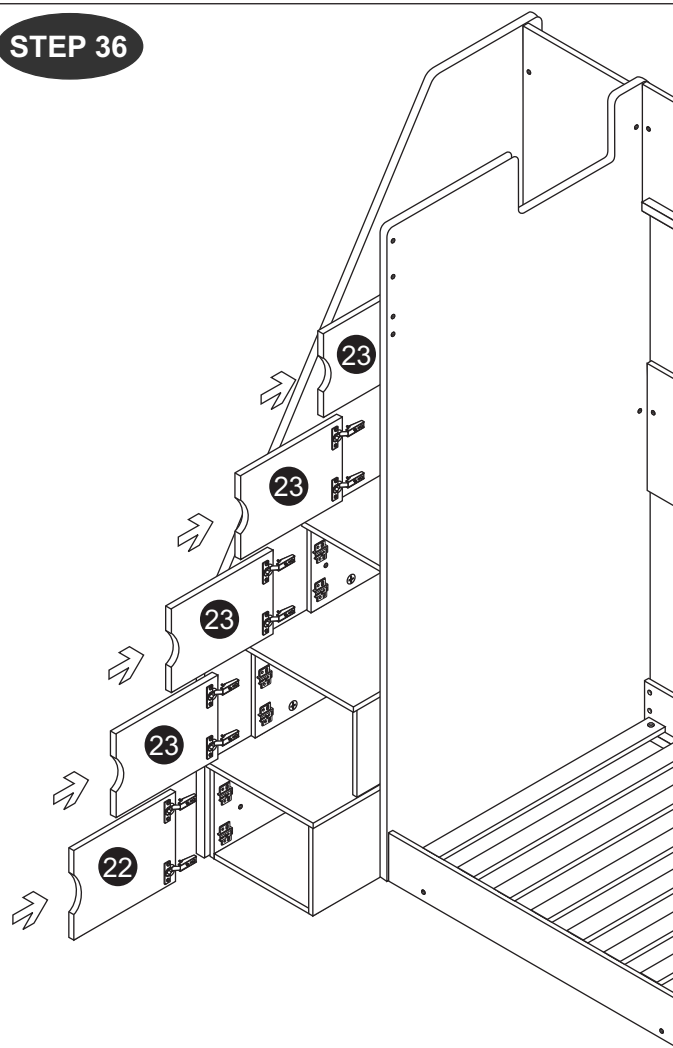



H x 20

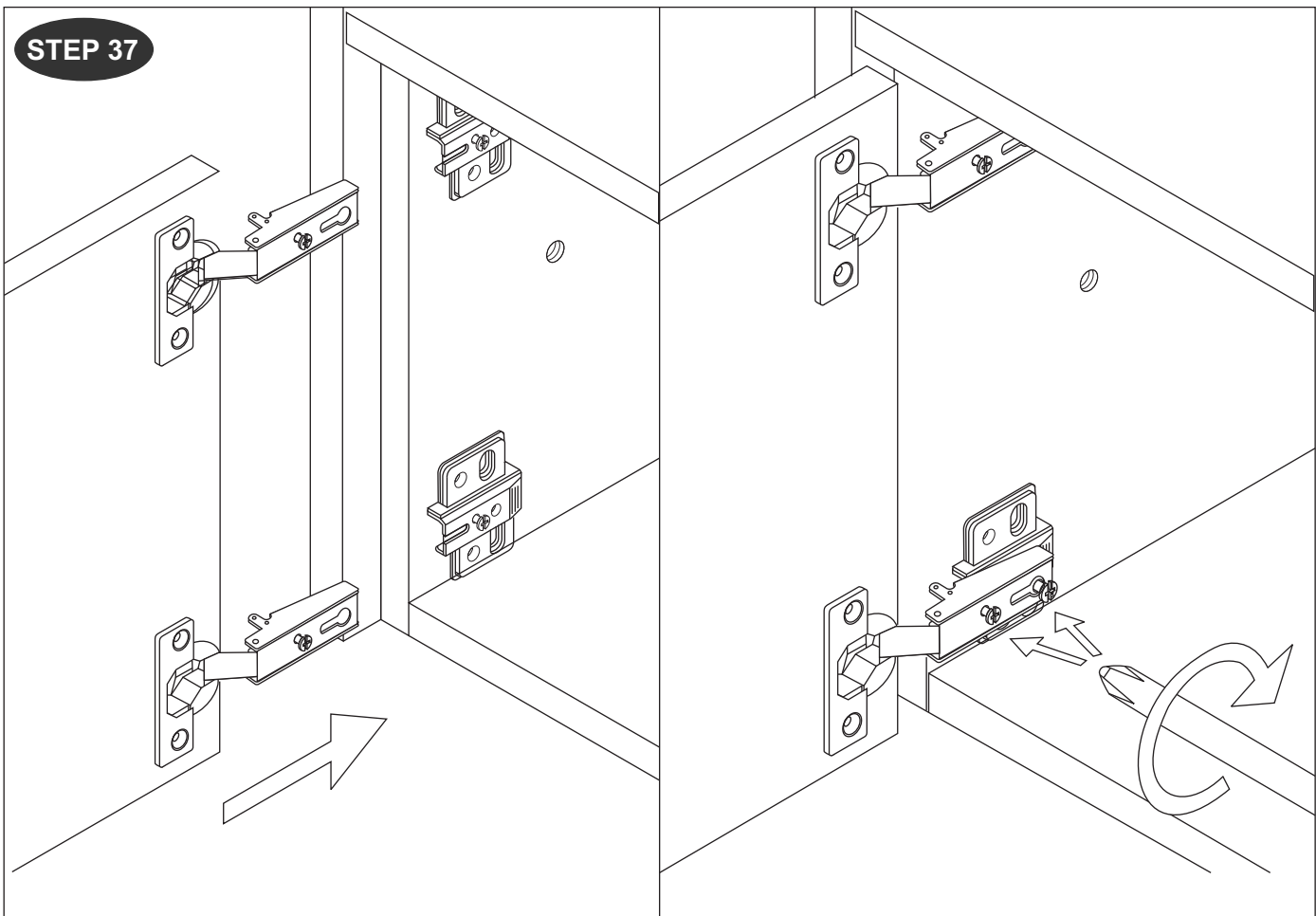
K x 10



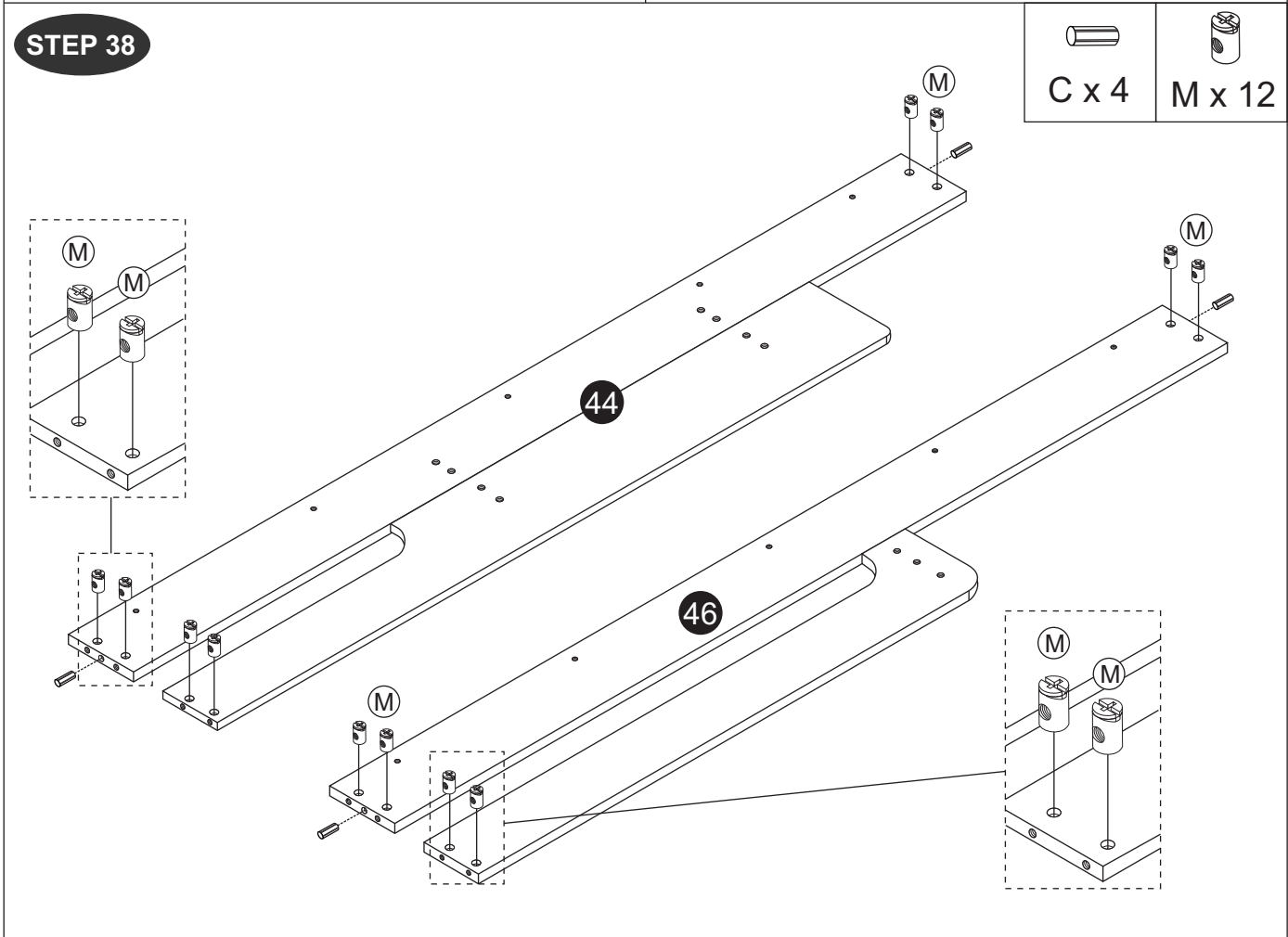
STEP 36




STEP 37

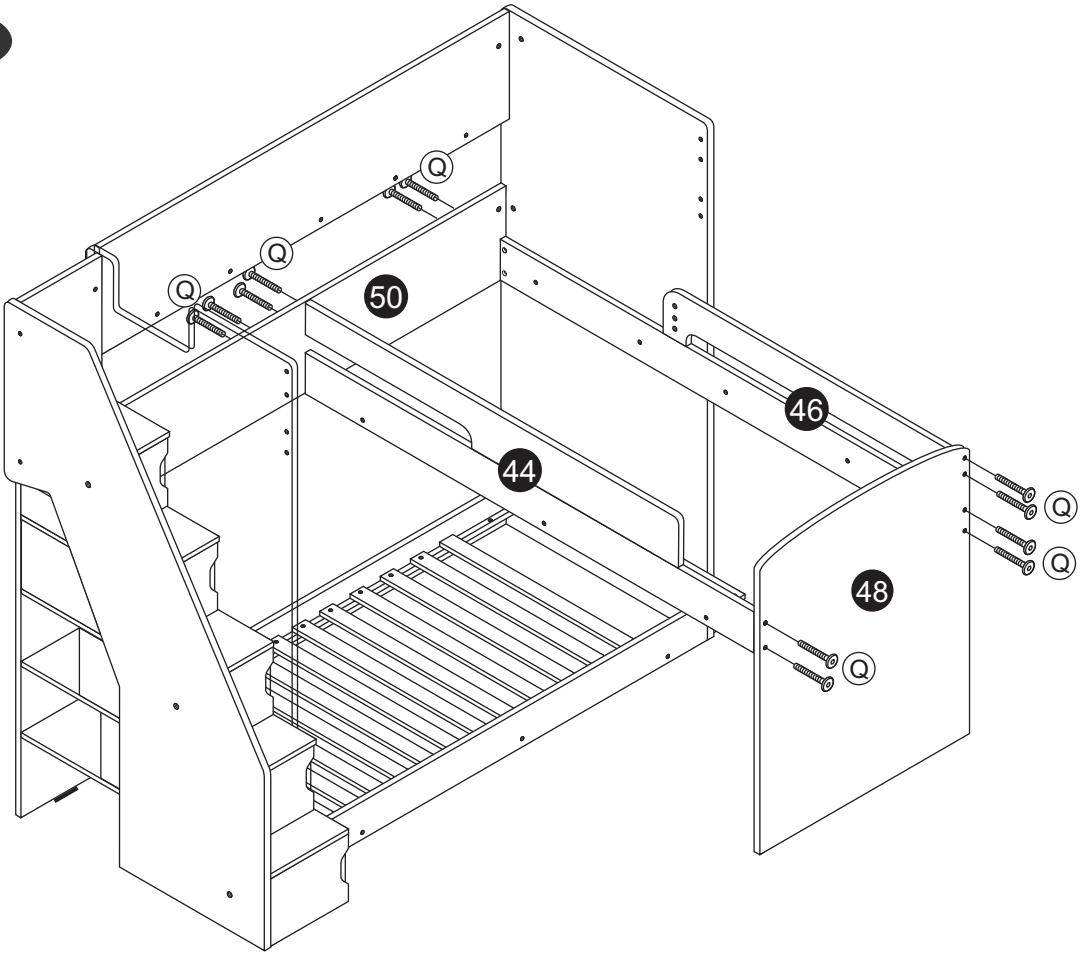


STEP 38






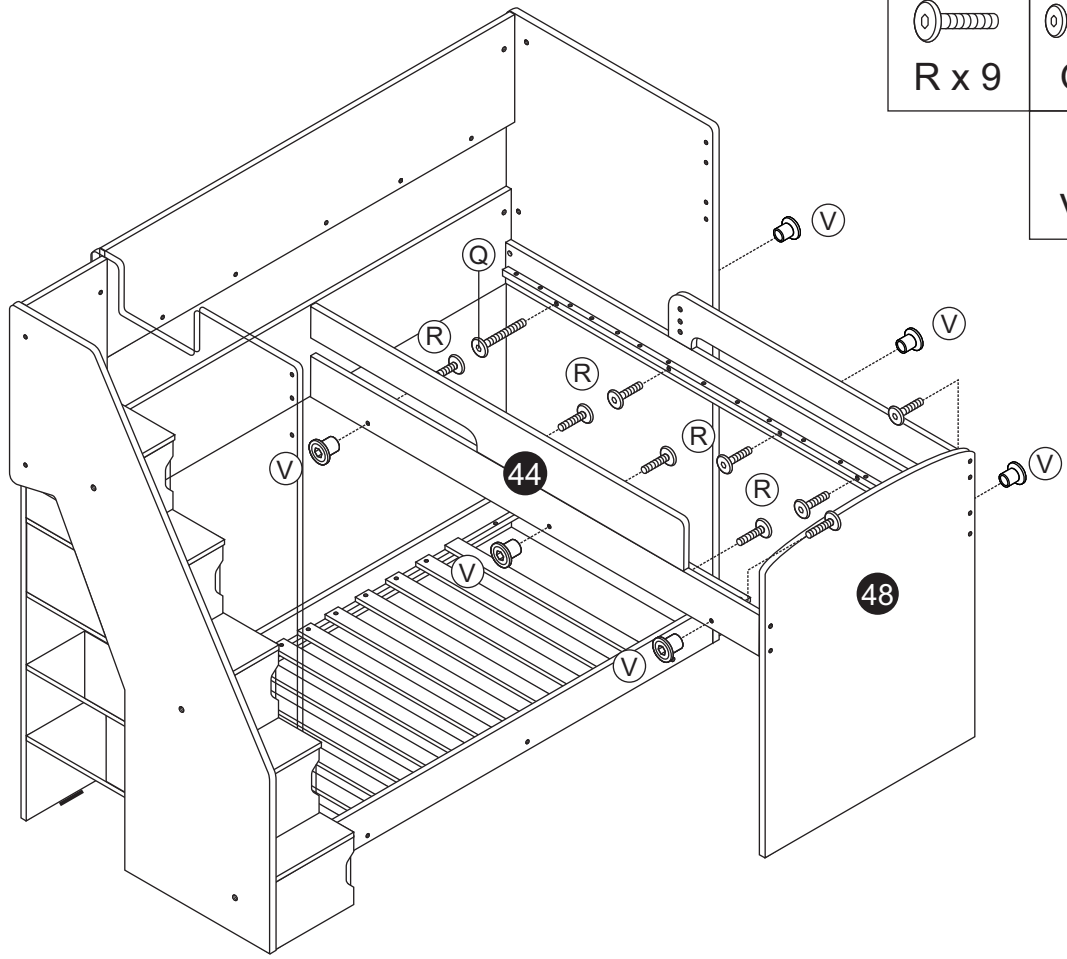
STEP 39


Q x 12

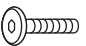


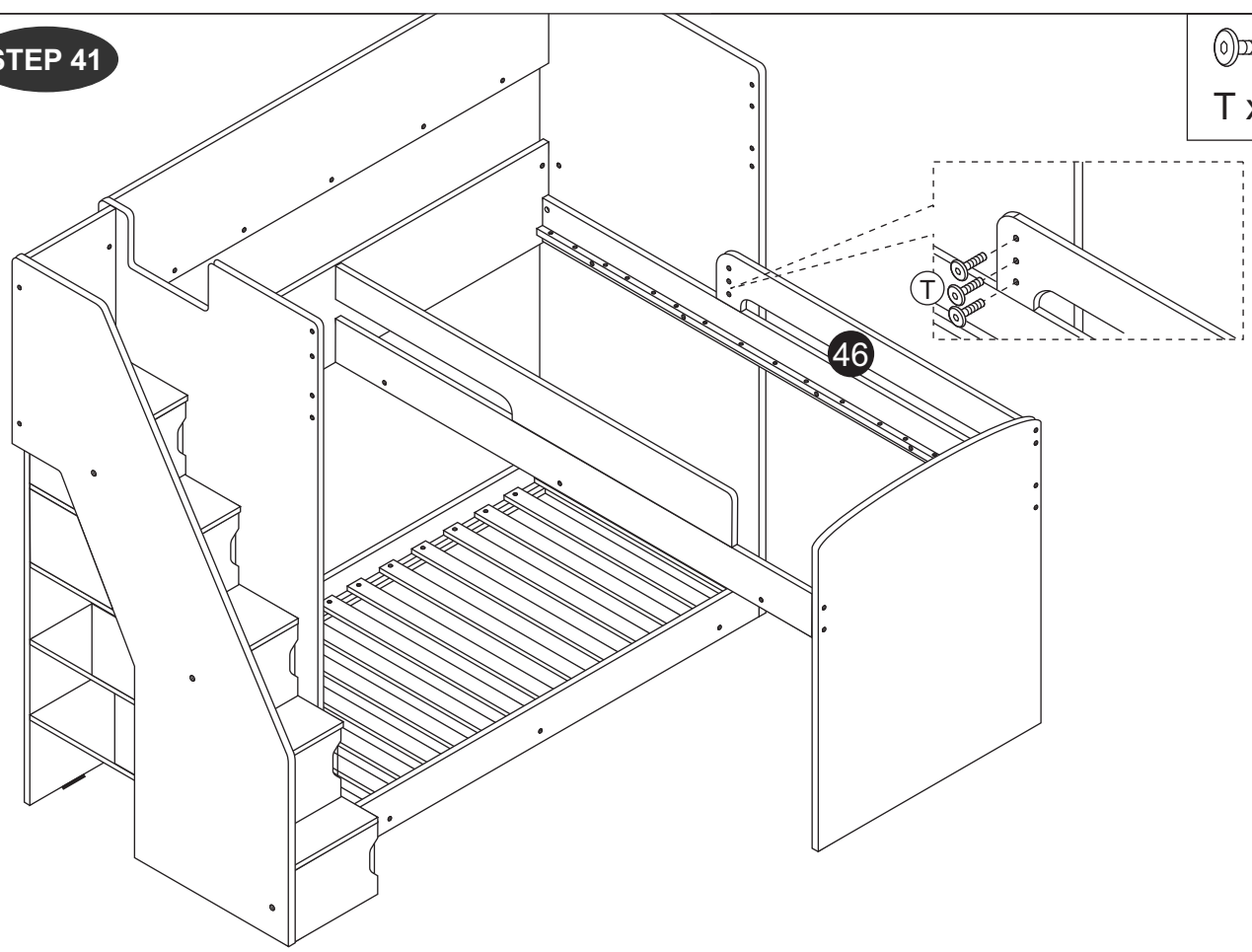
STEP 40

 R x 9	 Q x 1
 V x 6	






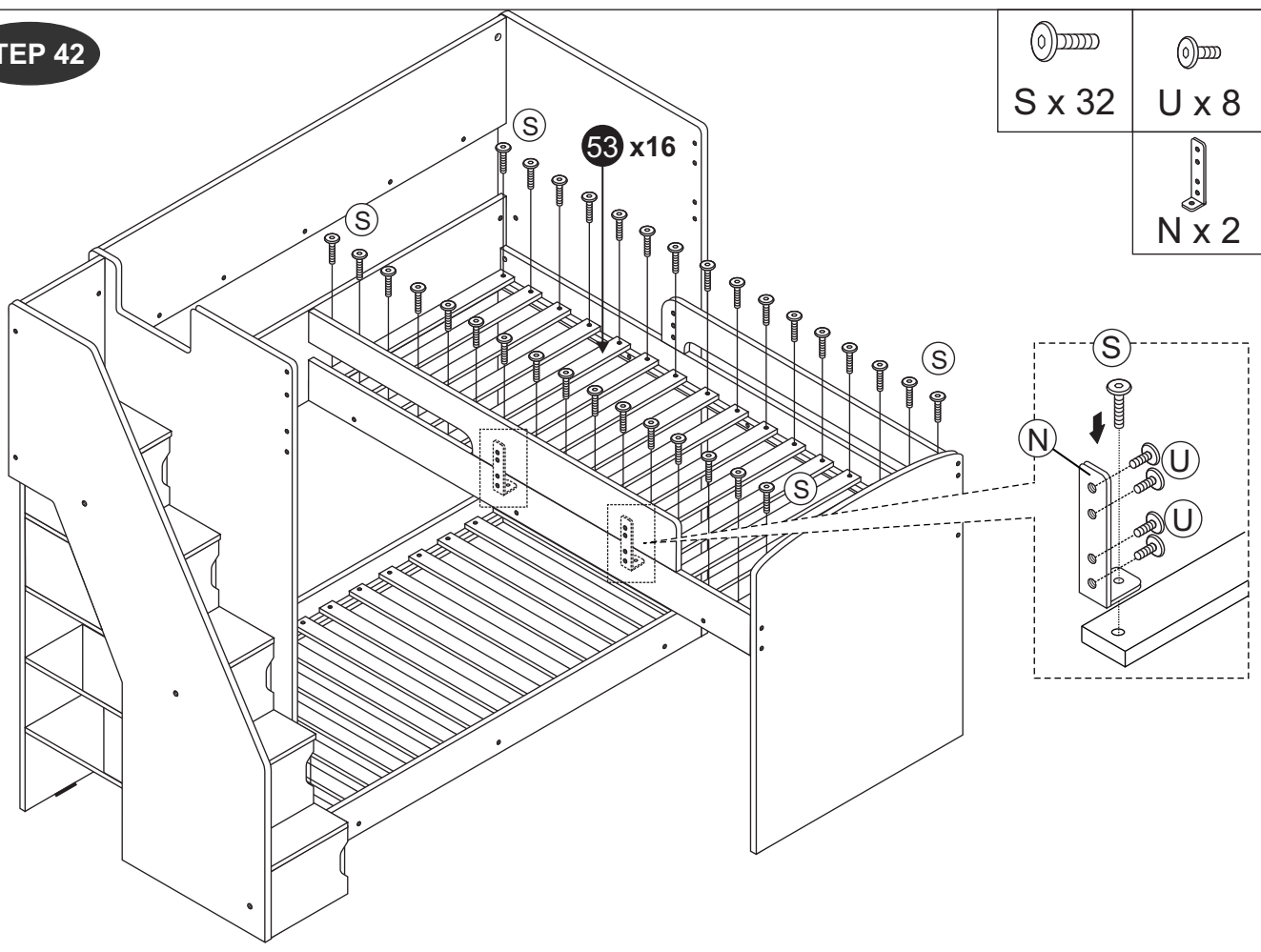
STEP 41


T x 3



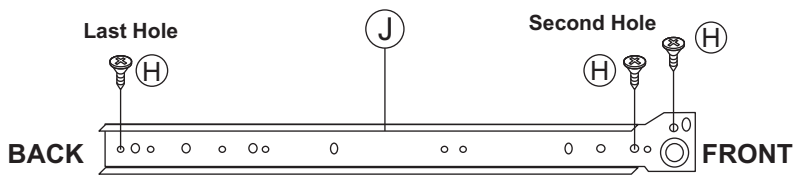
STEP 42

 S x 32	 U x 8
 N x 2	

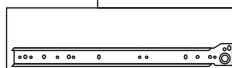


STEP 44

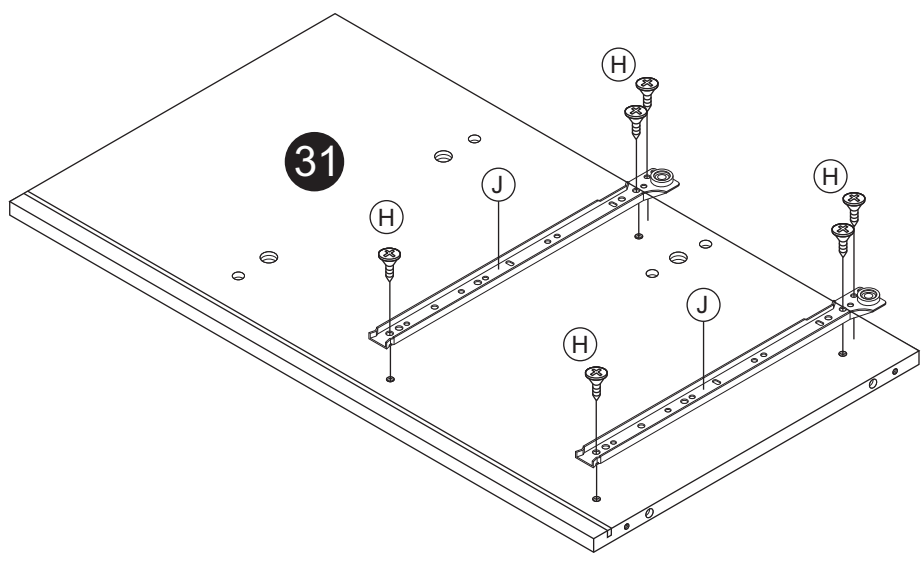
To Assembly the Drawer Slide, Please Follow Step as Below



H x 6

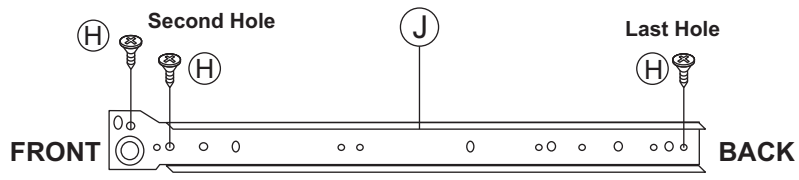


J x 2

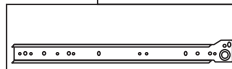


STEP 45

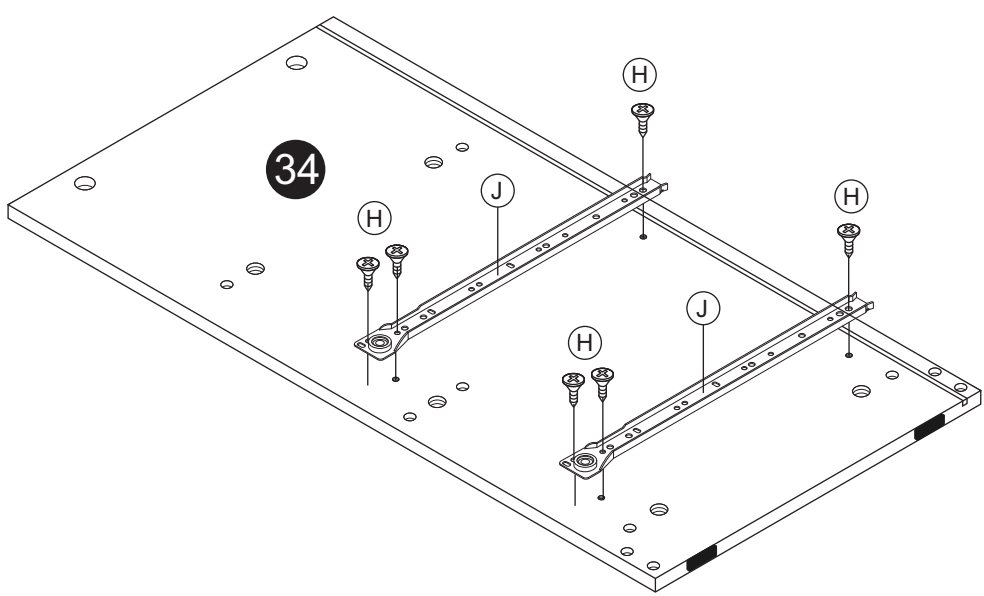
To Assembly the Drawer Slide, Please Follow Step as Below



H x 6



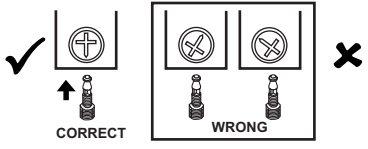
J x 2



STEP 43

WHEN FITTING CAMS

ENSURE STARTING POSITION IS CORRECT
BEFORE YOU INSERT CONNECTING BOLT
TURN CLOCKWISE UNTIL SECURE



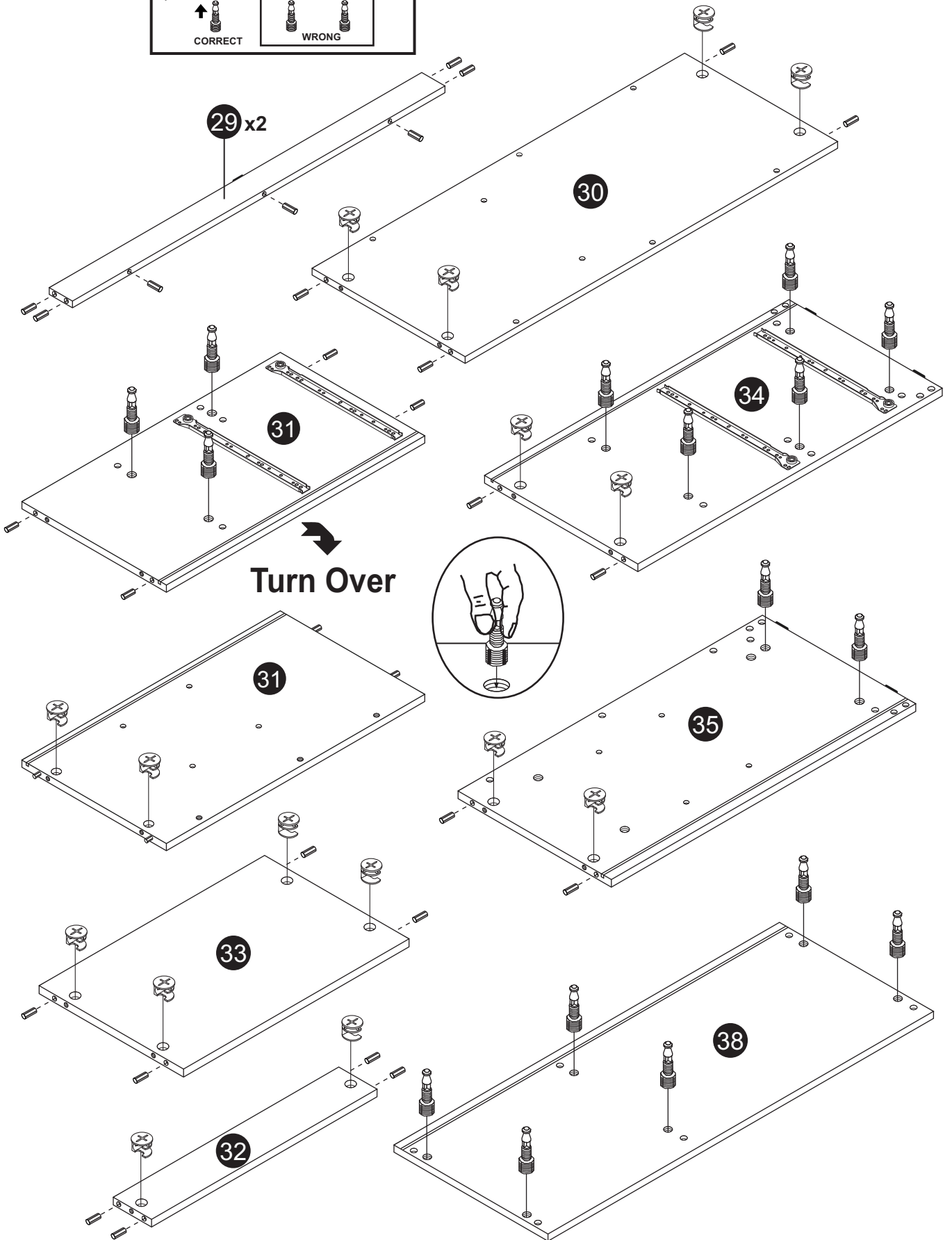
A x 16



B x 16



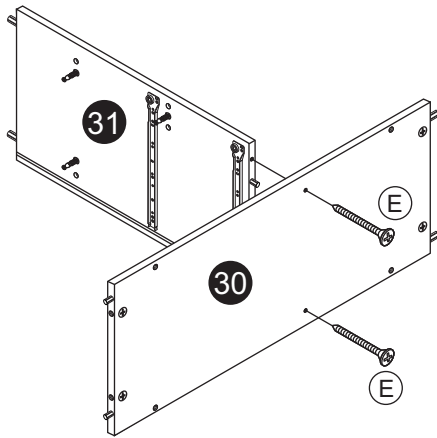
C x 34



STEP 46

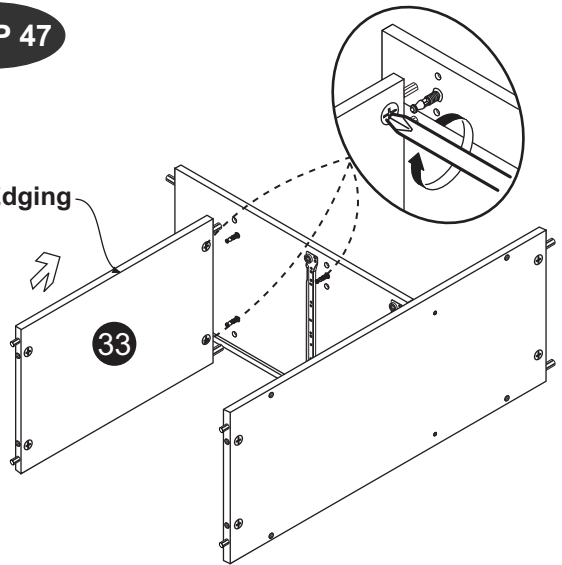


E x 2

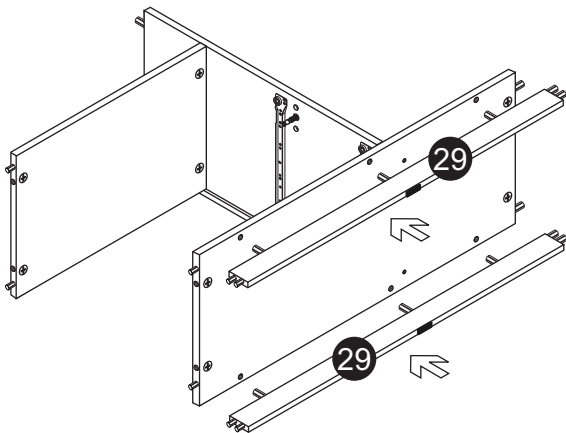


STEP 47

with Edging

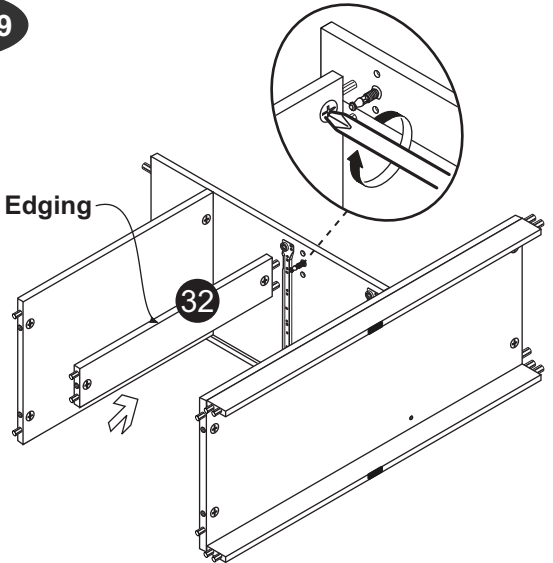


STEP 48

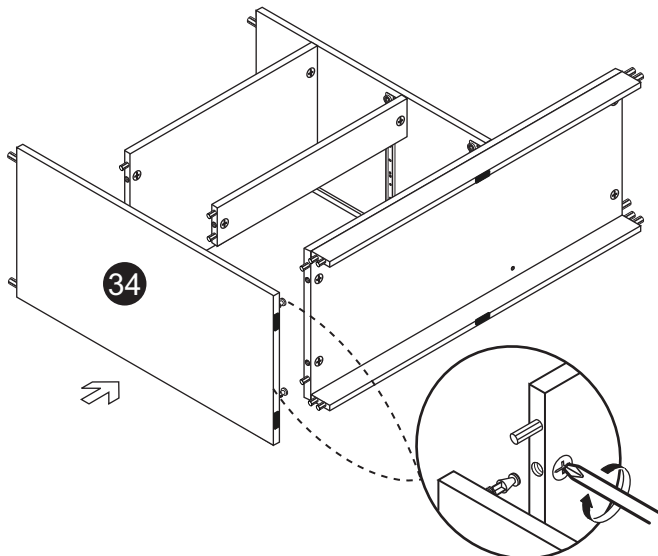


STEP 49

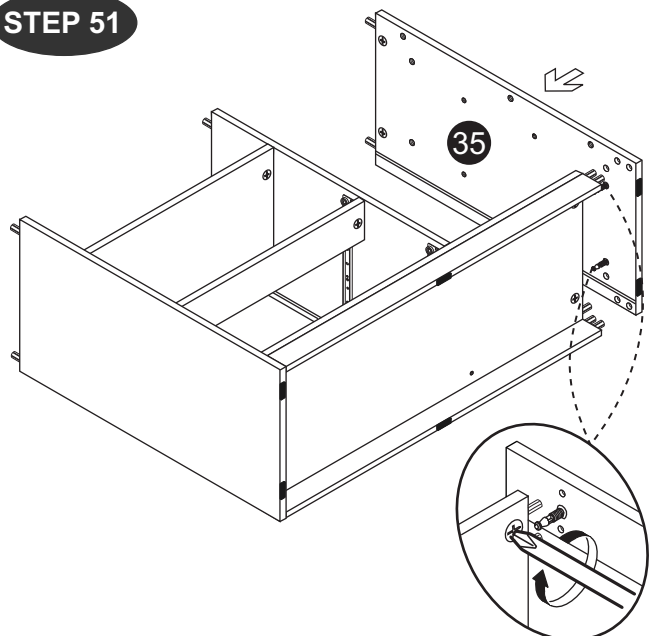
with Edging



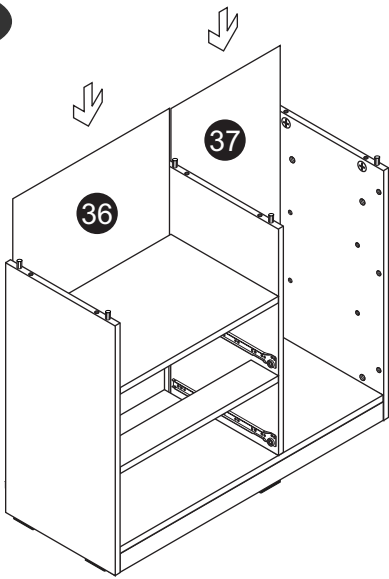
STEP 50



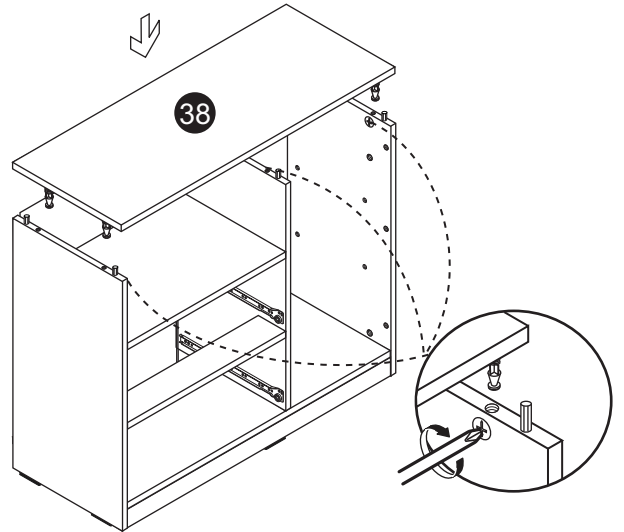
STEP 51



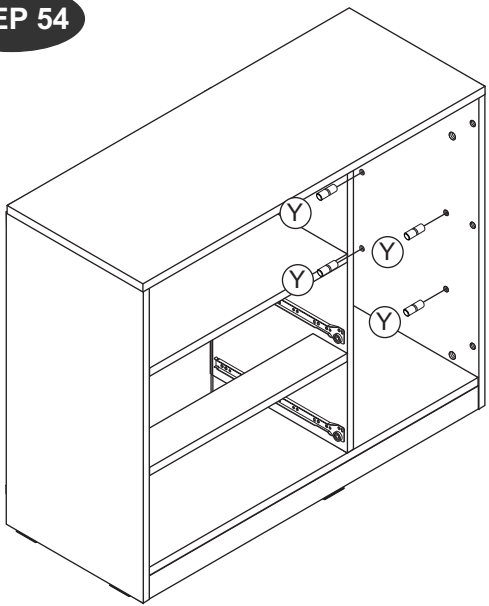
STEP 52



STEP 53

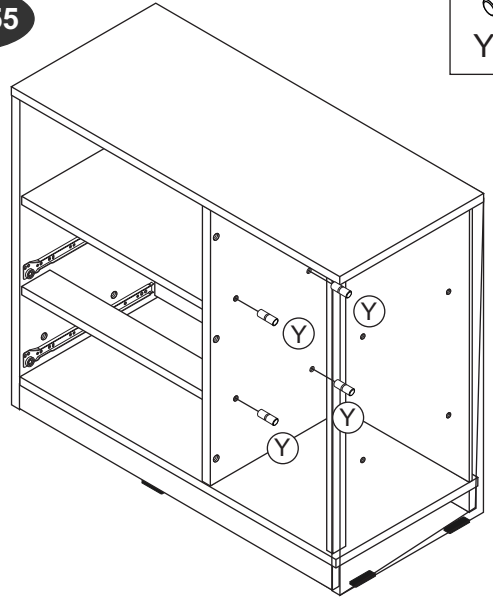


STEP 54



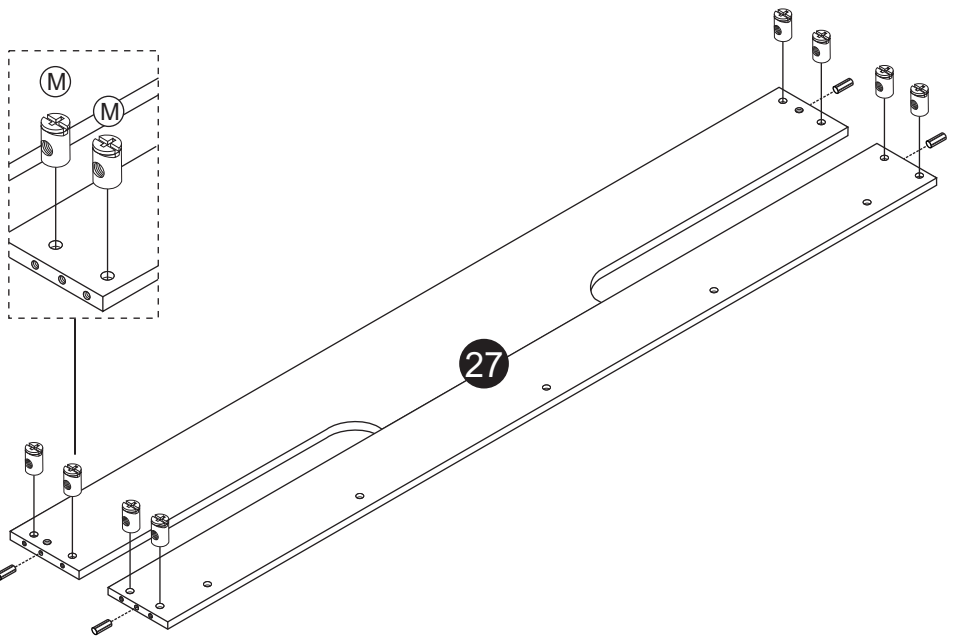
Y x 4

STEP 55



Y x 4

STEP 56

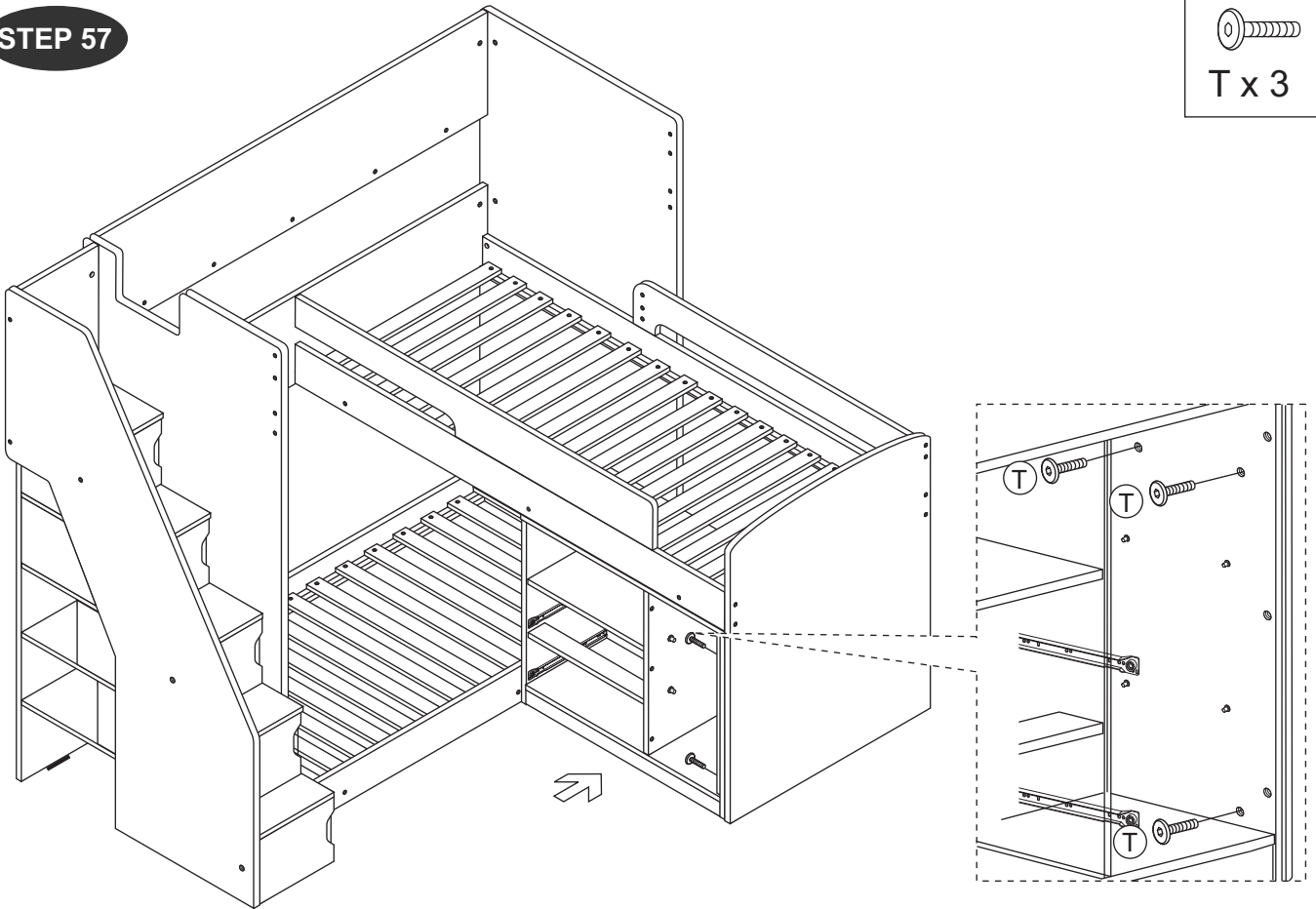


M x 8

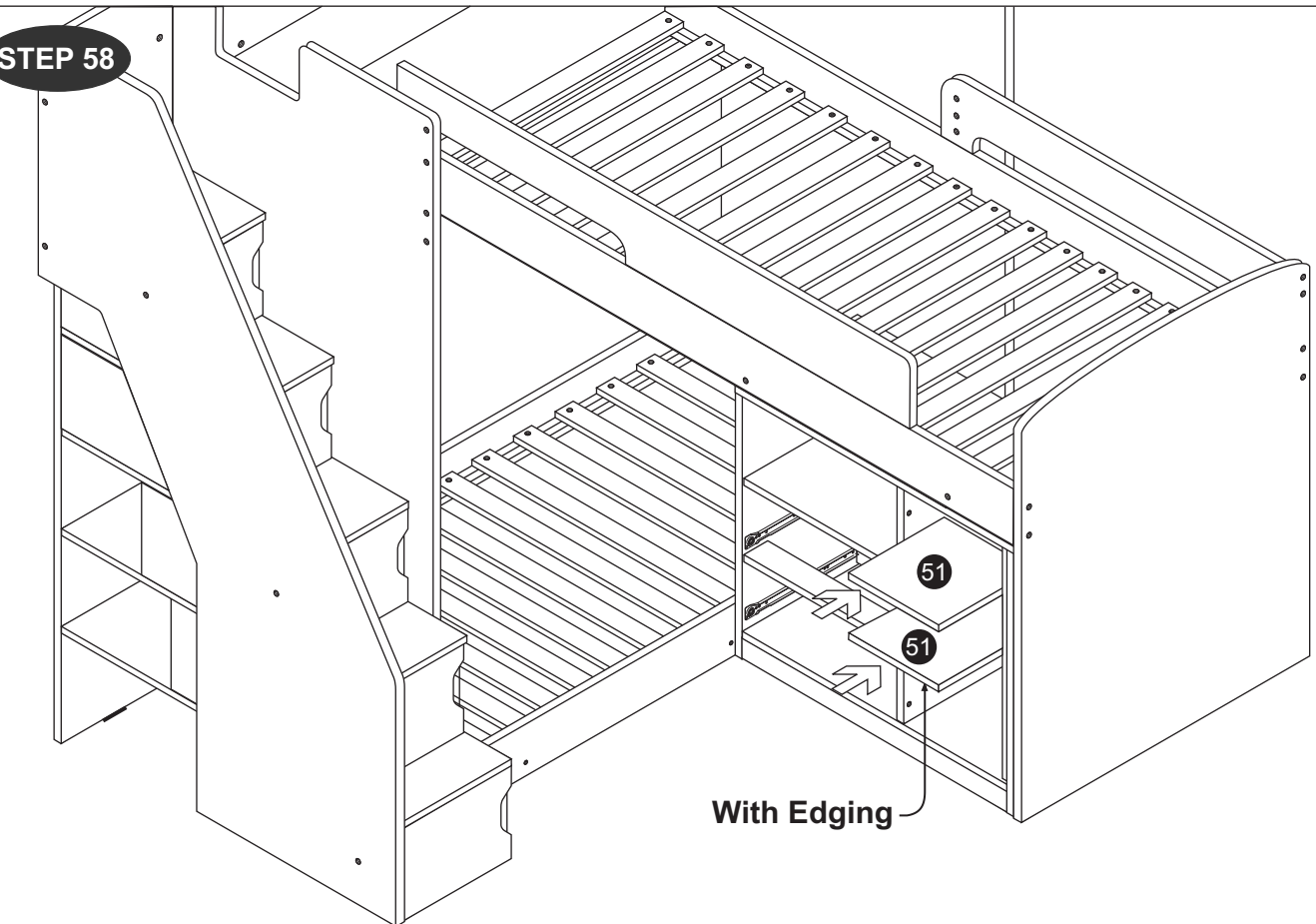
C x 4

STEP 57


T x 3


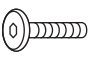


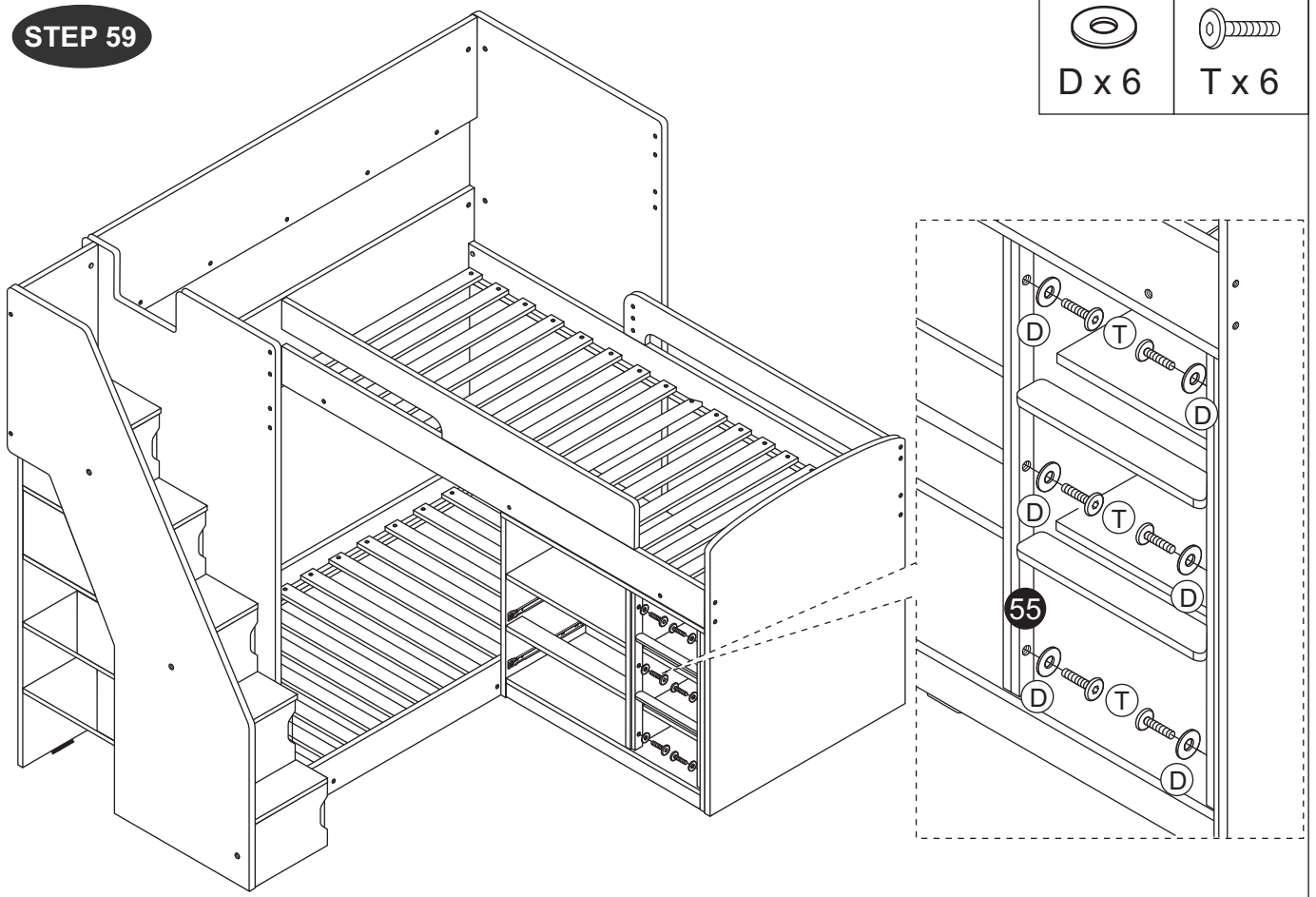
STEP 58




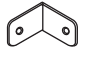


With Edging

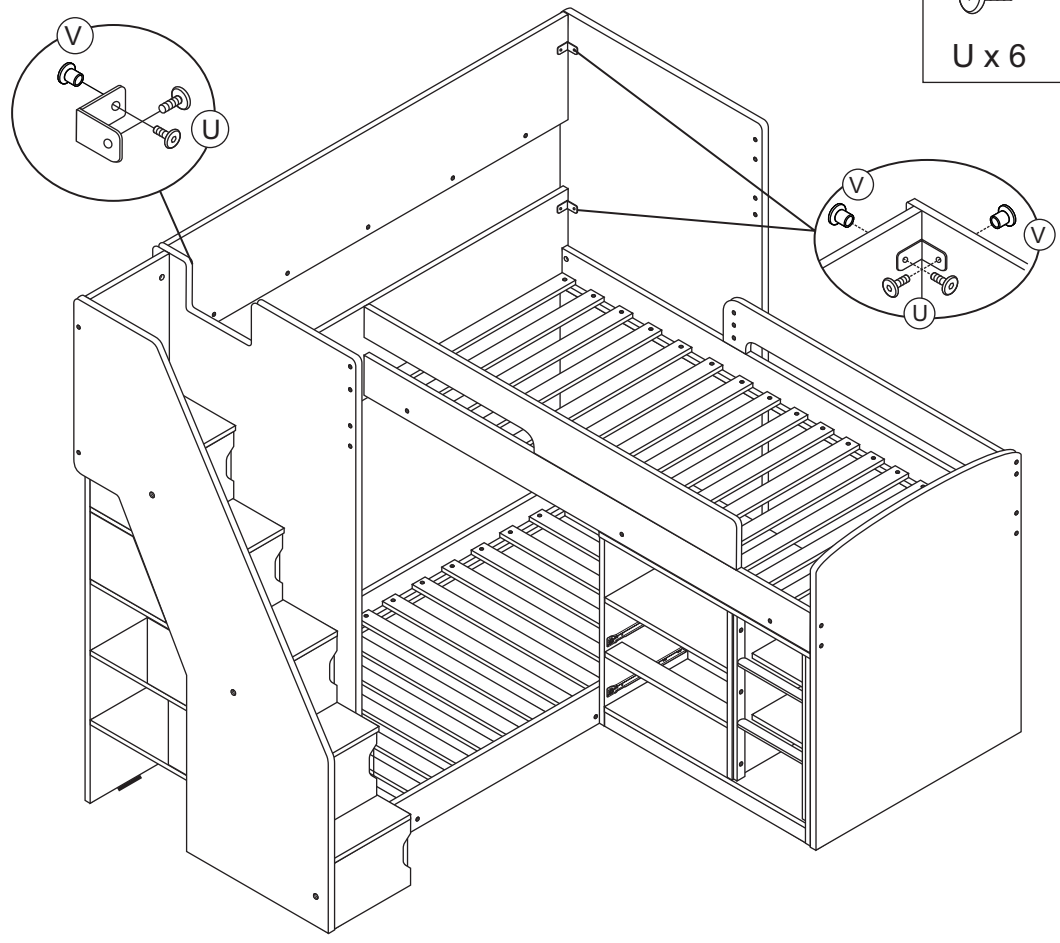
STEP 59

	
D x 6	T x 6

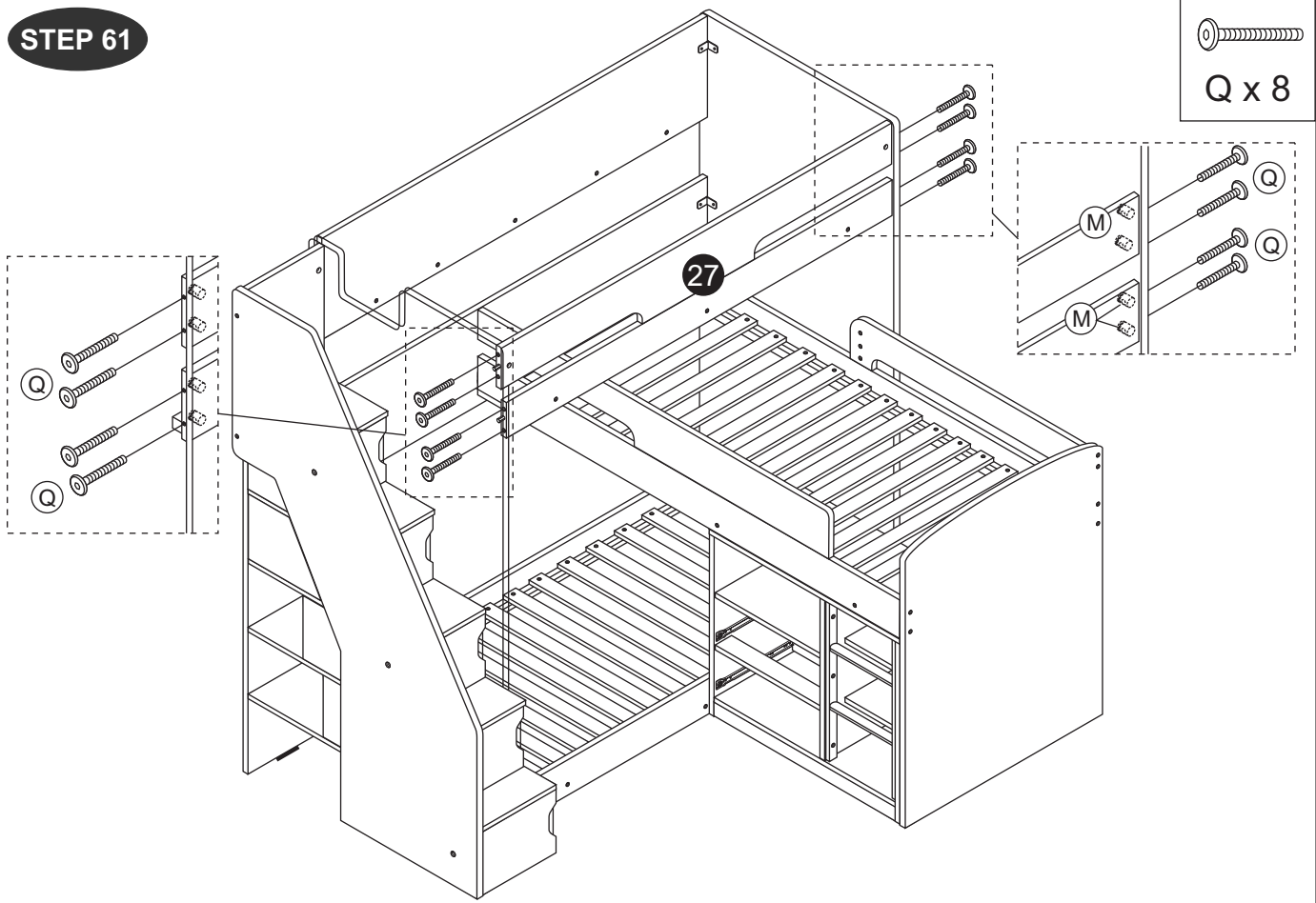


STEP 60

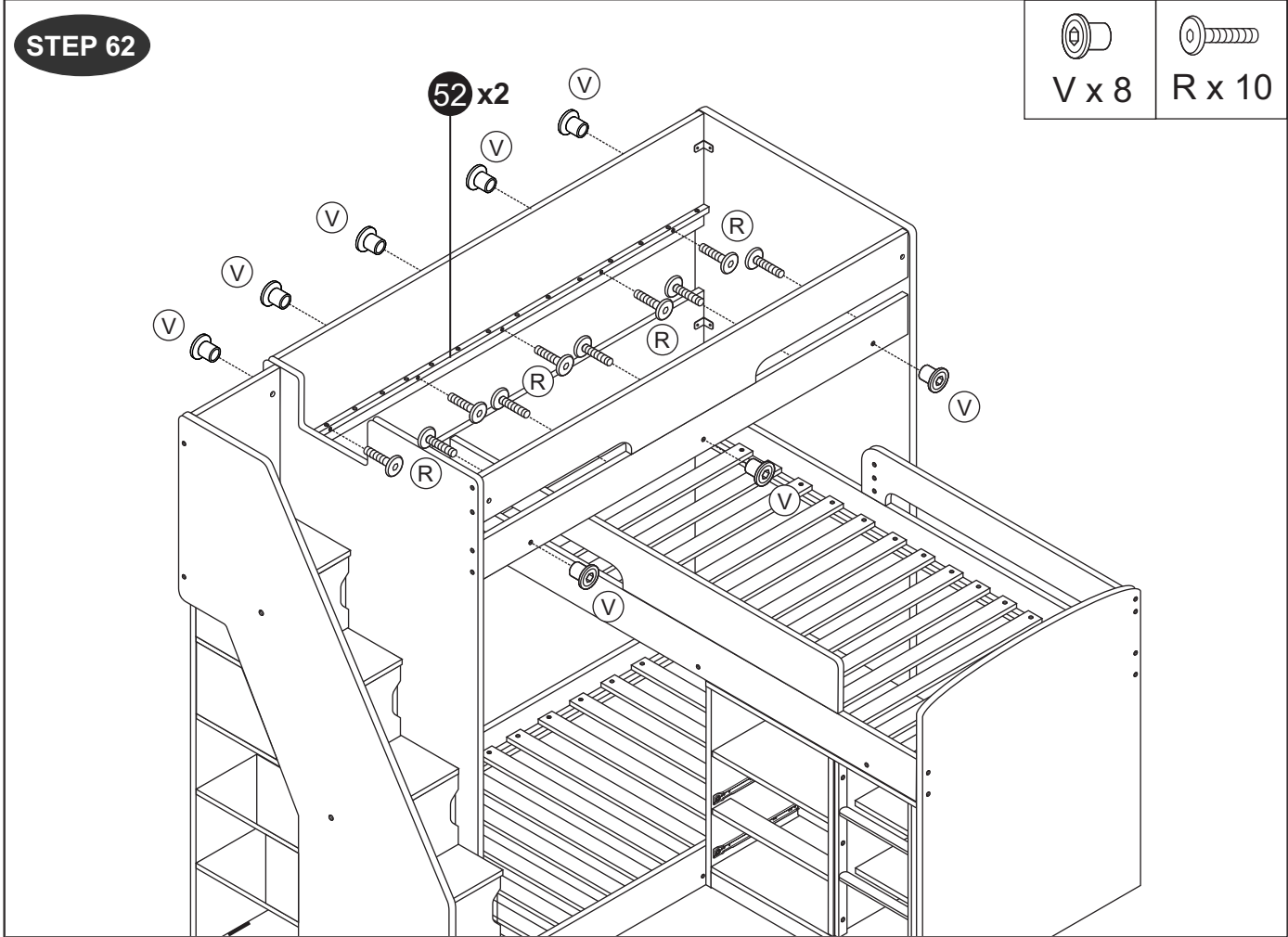
	
U x 6	X x 3
	
V x 5	

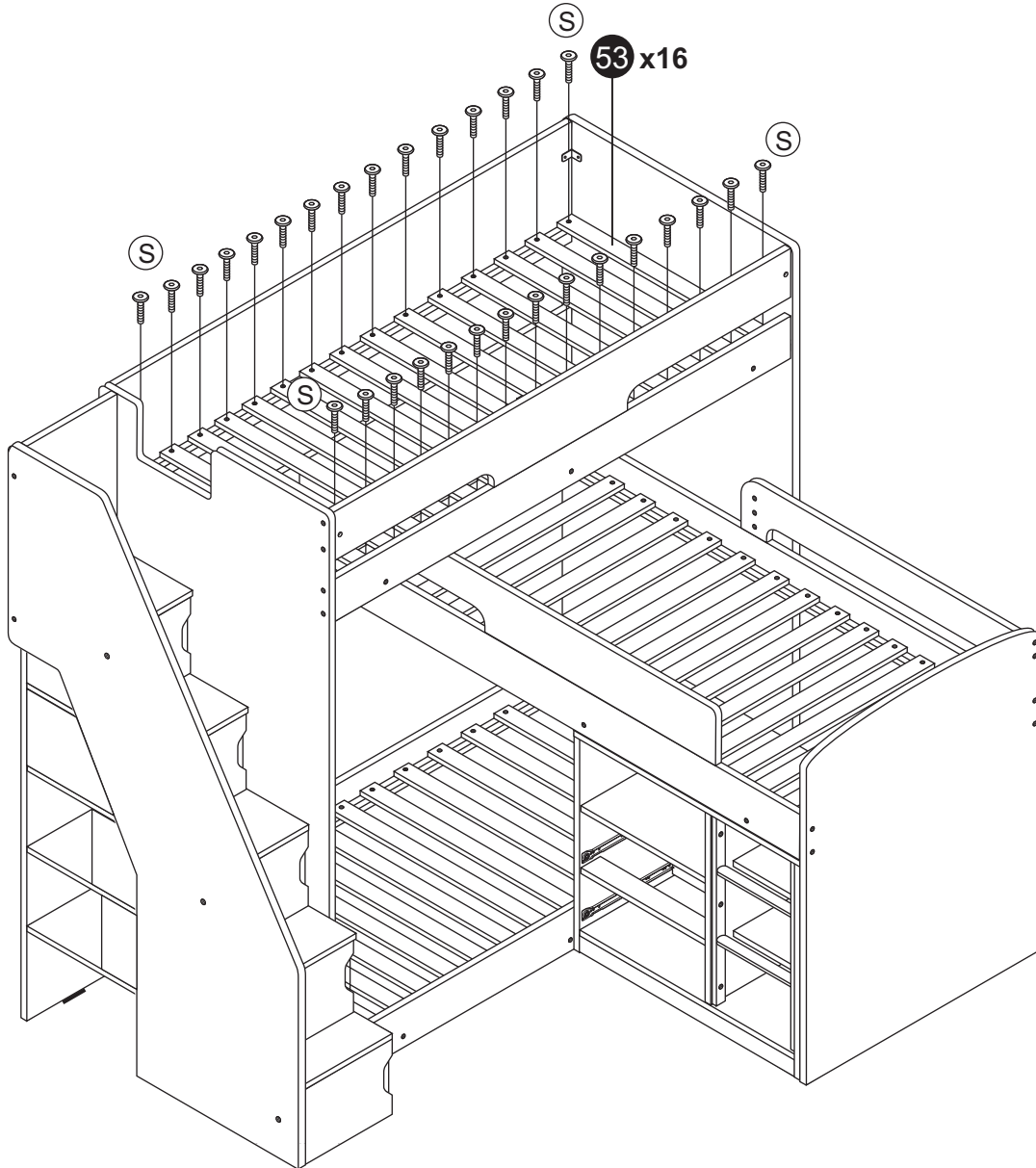
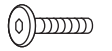


STEP 61



STEP 62





STEP 64



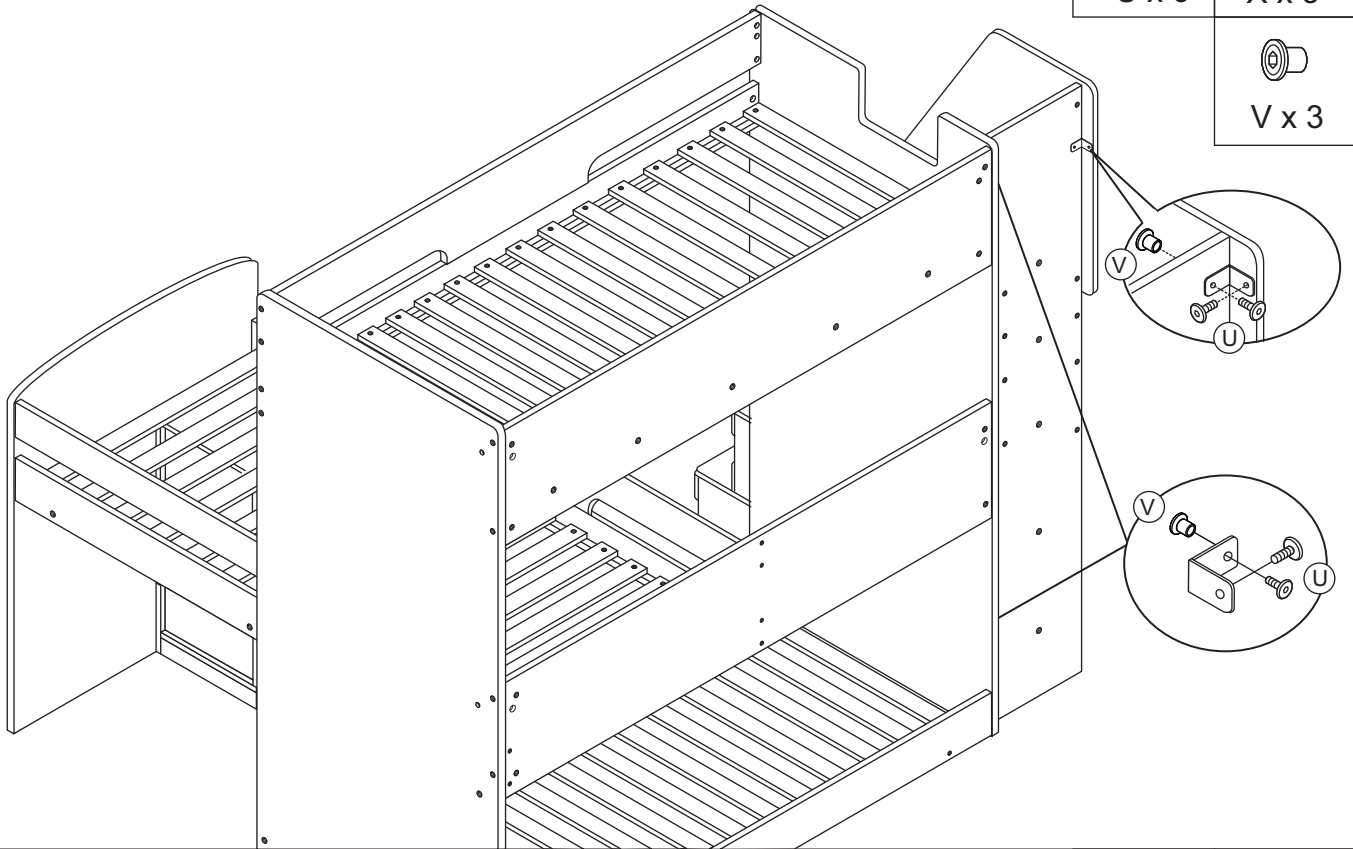
U x 6



X x 3



V x 3



STEP 65



U x 5



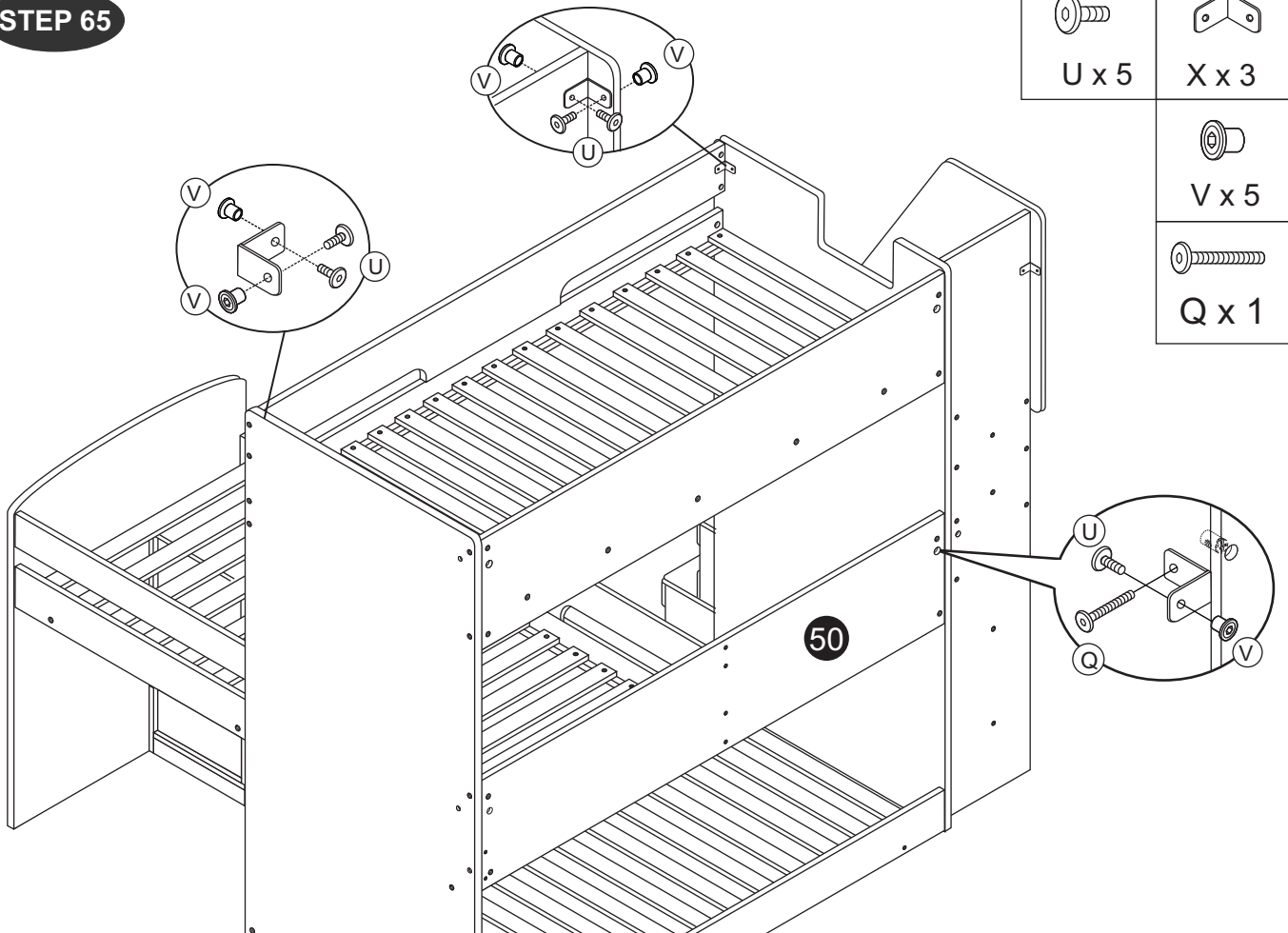
X x 3



V x 5



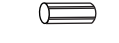
Q x 1

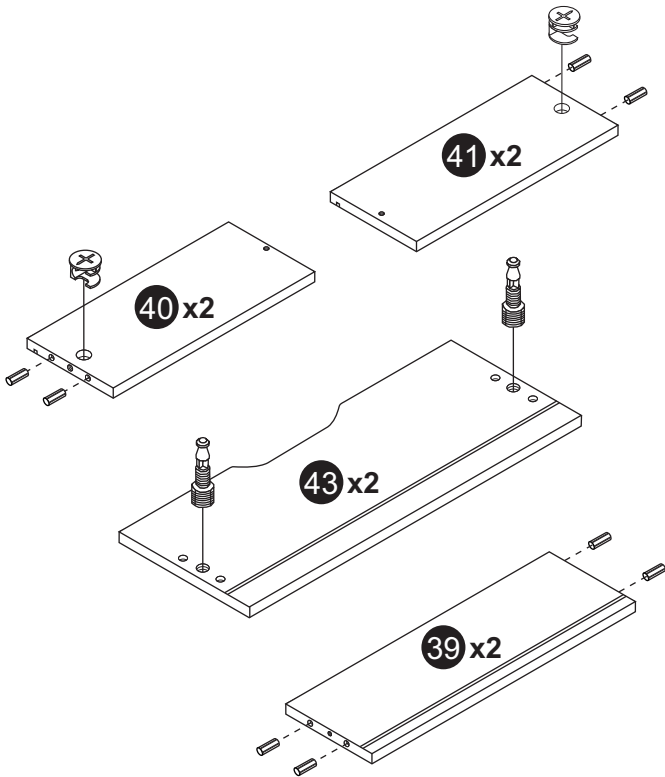


STEP 66

 A x 4

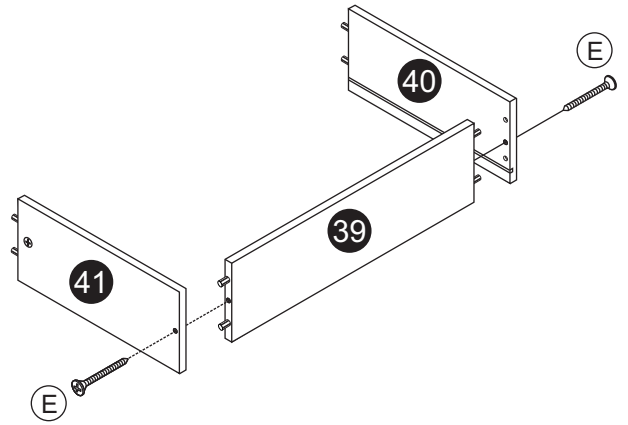
 B x 4

 C x 16



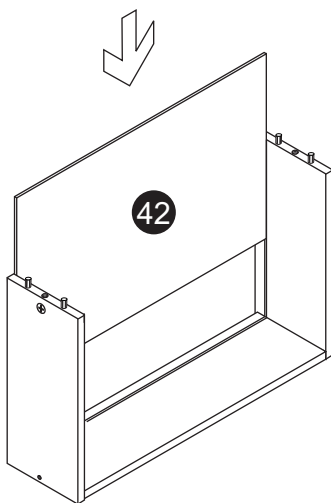
STEP 67

 E x 4



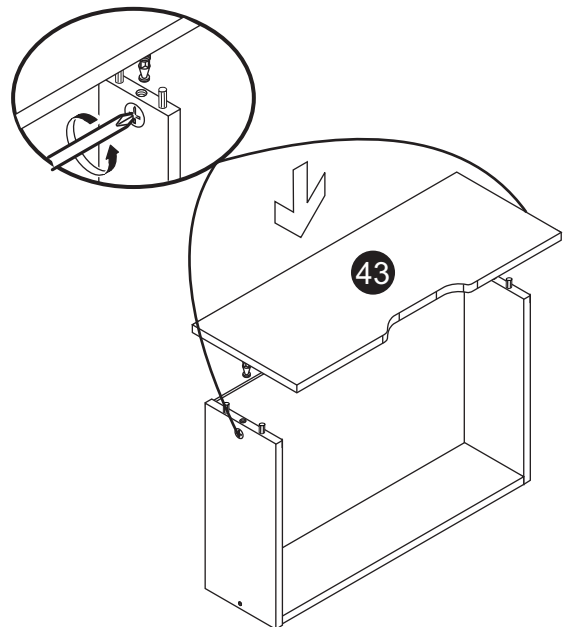
Do This Step 2 Times

STEP 68



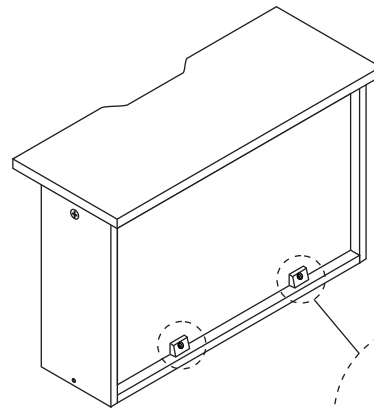
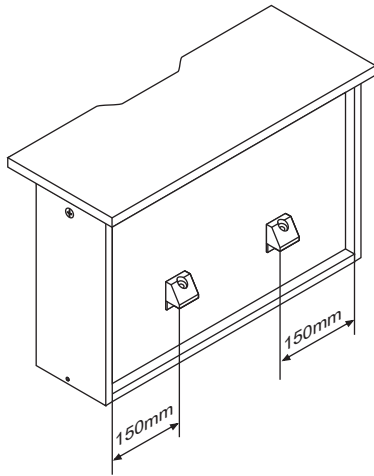
Do This Step 2 Times

STEP 69



Do This Step 2 Times

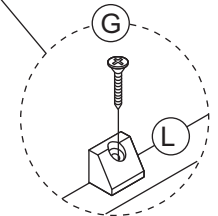
STEP 70



G x 4

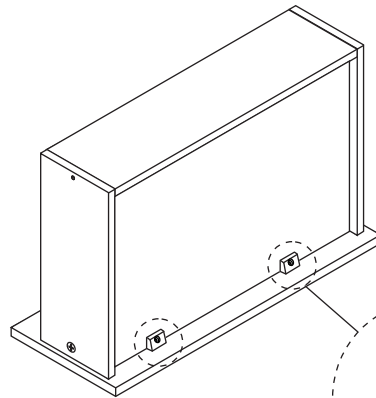
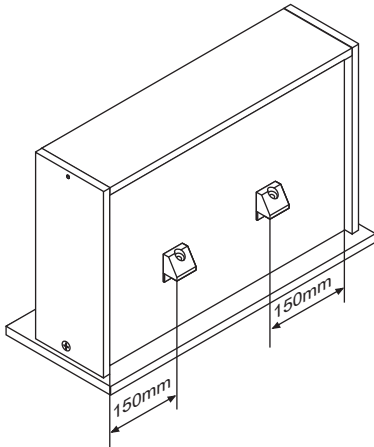


L x 4



Do This Step 2 Times

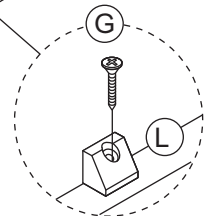
STEP 71



G x 4

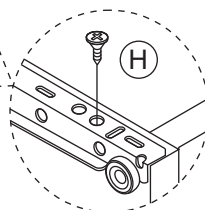
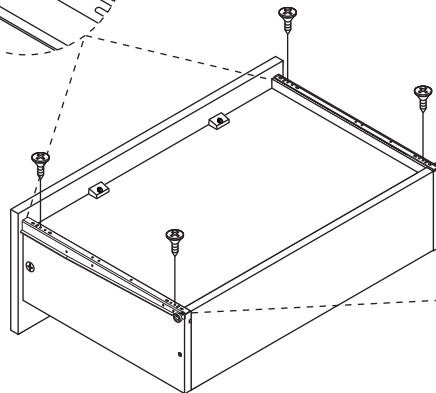
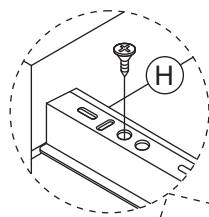


L x 4



Do This Step 2 Times

STEP 72

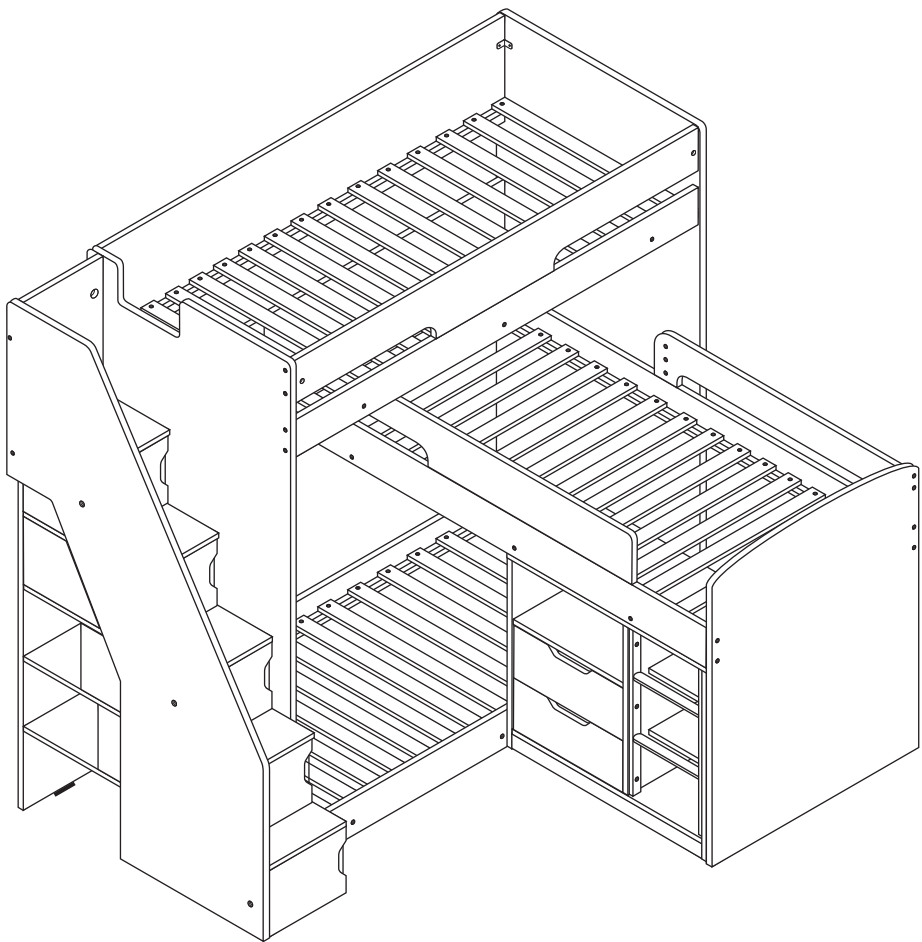
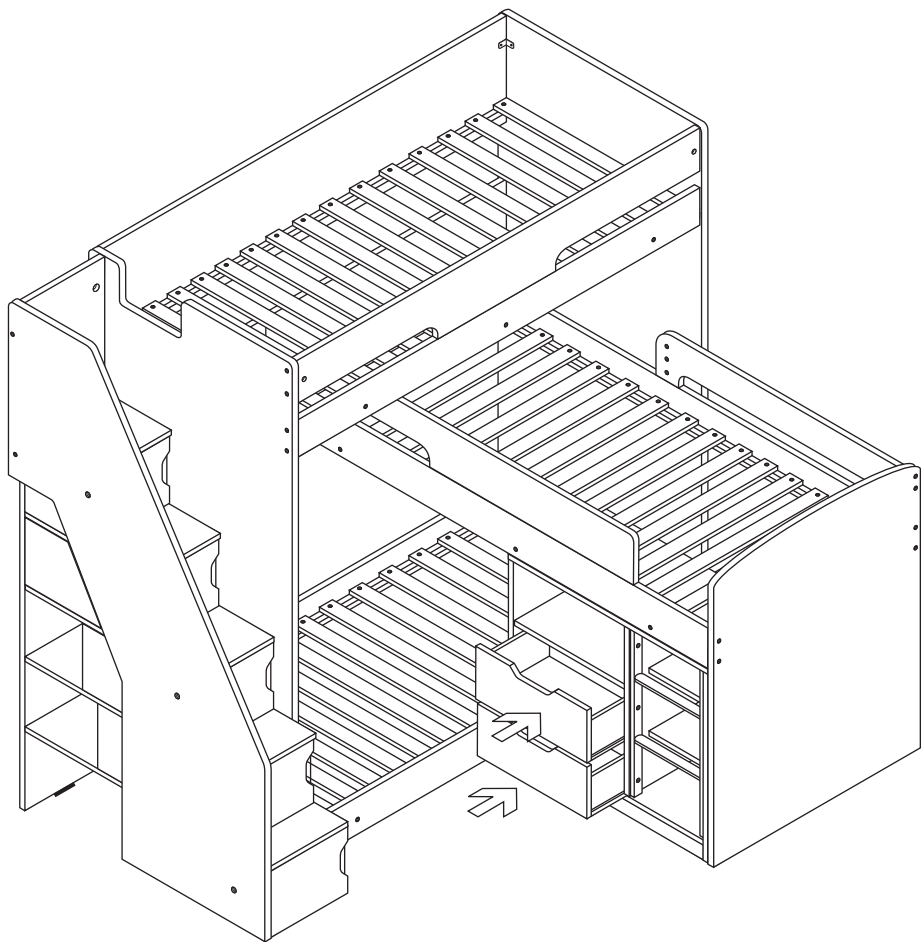


H x 8

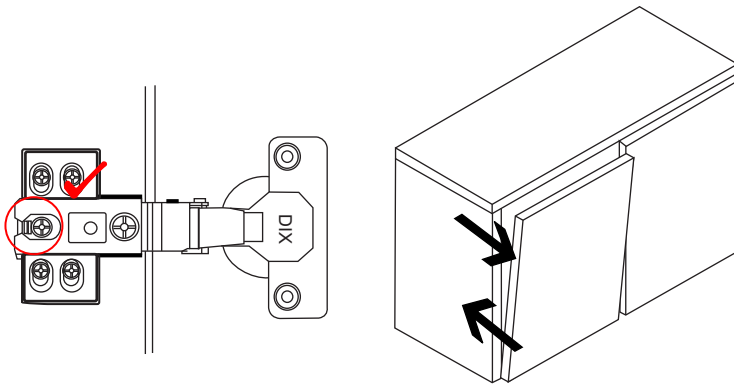
J x 2set

Do This Step 2 Times

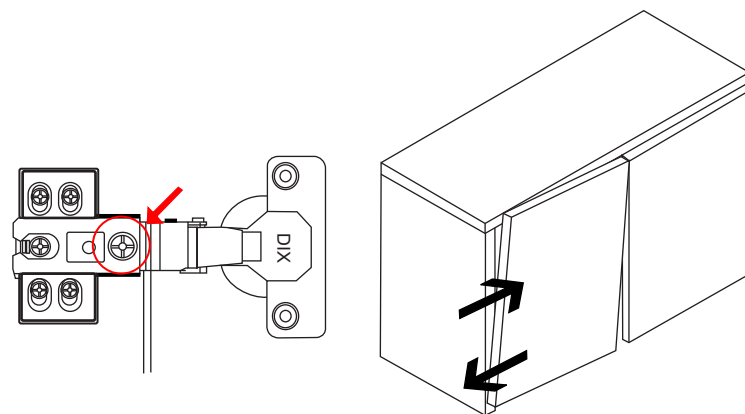
STEP 73



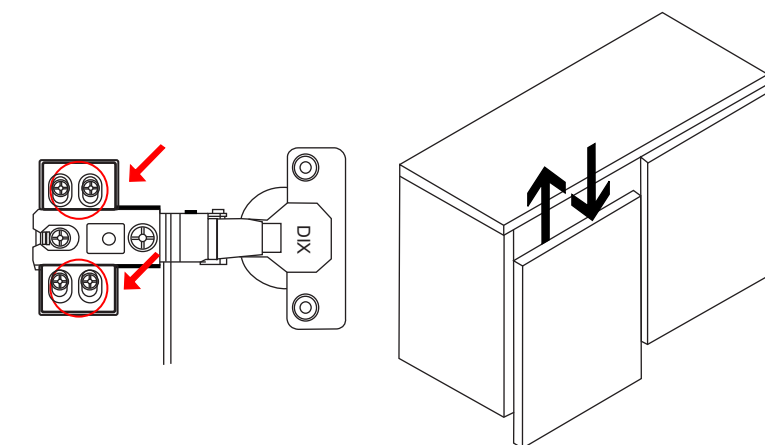
Adjusting Possibilities



Depth Adjustment
after loosening the hinge
arm mounting screw



Lateral Adjustment
by adjusting screw



Vertical Adjustment
via mounting plate (via
slots or, if in two pieces,
via screw)

General Care

Wipe clean with a slightly damp soft cloth.

Avoid the use of all house hold cleaners and abrasives.

When moving your furniture, carefully lift into place. Never drag or push the pieces across the floor as this will cause damage to the joints and could result in failure to the product that will invalidate the warranty.

Recommendations

Periodical re-tightening of fixings.

Warning

This unit is heavy. Please use an assistant when lifting.

Notes

We've tried to make this piece of furniture as easy to assemble as possible. In the unlikely event that you have problems putting it together or have damaged or missing pieces, please contact our customer services on 01924 950 955

Flair Furnishings

Old Delivery Office, Oldfield Lane, Heckmondwike, West Yorkshire, Wf16 0JD