

ASSEMBLY INSTRUCTION

BS EN747-1:2012+A1:2015 SAFETY WARNING AND GENERAL NOTES: IMPORTANT – READ CAREFULLY – RETAIN FOR FUTURE REFERENCE

PLEASE READ this sheet prior to assembly to familiarise yourself with the various stages of construction. Carefully open the pack supplied and check the contents against the parts and fitting check list. Do not destroy any of the packing until you are certain that you have all the necessary parts for assembly.

CAUTION : There are small components used in the construction of this unit. These loose items should be kept away from young children whilst assembling your unit to avoid the danger of choking hazards.

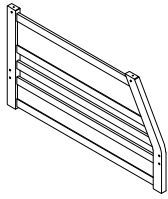
WARNING :

- Due to the size of this product we recommend that it is assembled in the room intended for use.
- This product should only be used on firm, level ground.
- **DO NOT** use power tools to construct this product.
- **DO NOT** over tighten the screw or bolts.
- **DO NOT** tighten screws until the product is fully assembled.
- **DO NOT** use solvent based cleaners or detergents as this can bleach and caused damages.
- Never use scourer, abrasives or chemical cleaners, only clean with sponge wipe and warm soapy water.
- High beds and the upper bed of the bunk beds are not suitable for children under six years due to the risk of injury from falls;
- Bunk beds and high beds can be present a serious risk of injury from strangulation if not used correctly. Never attach or hang items to any part of the bunk bed that are not designed to be used with the bed, for example, but not limited to ropes, strings, cords, hooks, belts and bags;
- Children can be trapped between the bed and wall, a roof pitch, the ceiling, adjoining pieces of furniture (e.g. cupboards) and the like. To avoid risk of serious injury the distance between the top safety barrier and the adjoining structure shall not exceed 75mm or shall be more than 230mm;
- Do not use the bunk bed/high bed if any structural part are missing, damaged or worn;
- Always follow the manufacturer's instruction
- Ensure thickness of mattress below the mark that had been made at the entrance of the upper bunk.
- Ensure the ventilation of the room is necessary in order to keep the humidity low and to prevent, mould in and around the bed.
- Ensure the support legs remain in contact with the ground at all times, and always use the ladder for entering and leaving the high bed and upper bunk.
- Ensure all screws or bolts are tightened and inspect regularly.
- Recommended size of top mattress 190(L) X 90(W) cm.
- Recommended size of bottom mattress 190(L) X 135(W) cm.
- Thickness of mattress 12-20 cm.



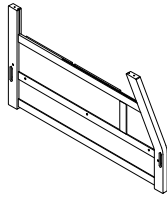
VIUSUAL IDENTIFICATION

Item Description Qty



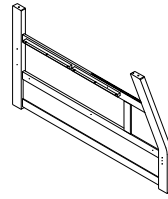
Lower Bunk
A Head Board Left 1pc

Item Description Qty



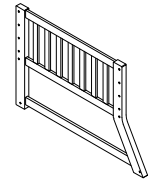
Lower Bunk
B Head Board Middle 1pc

Item Description Qty

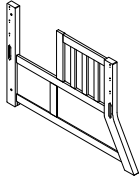


Lower Bunk
C Head Board Right 1pc

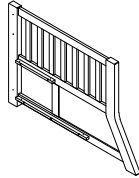
Item Description Qty



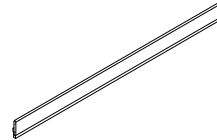
Upper Bunk
D Head Board Left 1pc



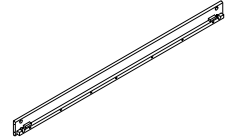
Upper Bunk
E Head Board Middle 1pc



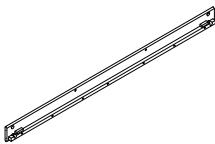
Upper Bunk
F Head Board Right 1pc



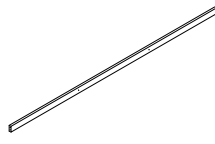
Lower Bunk
G Siderain(Outer) 1pc



Lower Bunk
H Siderail (Inner) 1pc



Upper Bunk
I Siderail 2pcs



Upper Bunk
J Barrier 6pcs



Upper Bunk
K Barrier Support 4pcs



Head Board
L Panel 2pcs



Head Board
M Bar Left 1pc



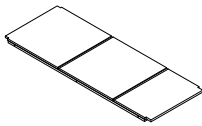
Head Board
N Right 1pc



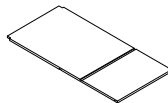
Head Board
O Panel 1 1pc



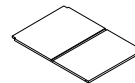
P Block Drawer Bar 1pc



Q Ladder Pannel 1pc



R Ladder Pannel 1 1pc



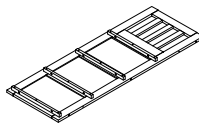
S Ladder Pannel 2 1pc



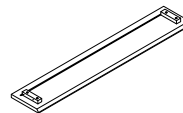
T Ladder Pannel 3 1pc



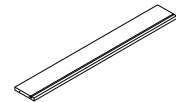
U Pannel 4pcs



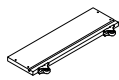
V Back Panel 1pc



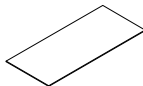
Drawer Large
W Drawer Top 2pcs



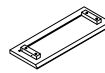
Drawer Large
X Back Side 2pcs



Drawer
Y Side Board 6pcs



Drawer Large
Z Bottom Board 2pcs



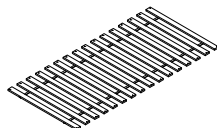
Drawer Small
A1 Drawer Top 1pc



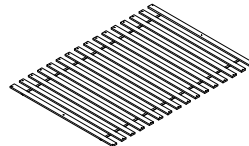
Drawer Small
B1 Back Side 1pc



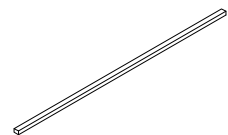
Drawer Small
C1 Bottom Board 1pc



Upper Bunk
D1 Slats Roll 1 set



Lower Bunk
E1 Slats Roll 1set



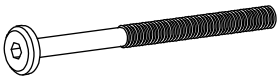
Sat
F1 Supprot Rail 1pc



Support
Leg G1 3pcs

FITTINGS CHECKLISTS

Code Description Qty



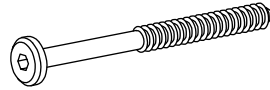
1 Bolt M6x80 16pcs

Code Description Qty



2 Half Moon Washer 16pcs

Code Description Qty

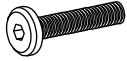


3 Bolt 7.0x80 12pcs

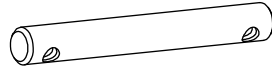
Code Description Qty



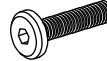
4 Bolt M6x50 8pcs



5 Bolt M6x30 22pcs



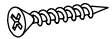
6 Nuts Ø10x80xM6 06pcs



7 Bolt M6x25 34pcs



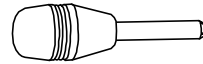
8 Wood Dowel Ø8x30 20pcs



9 Screw 4x30 90pcs

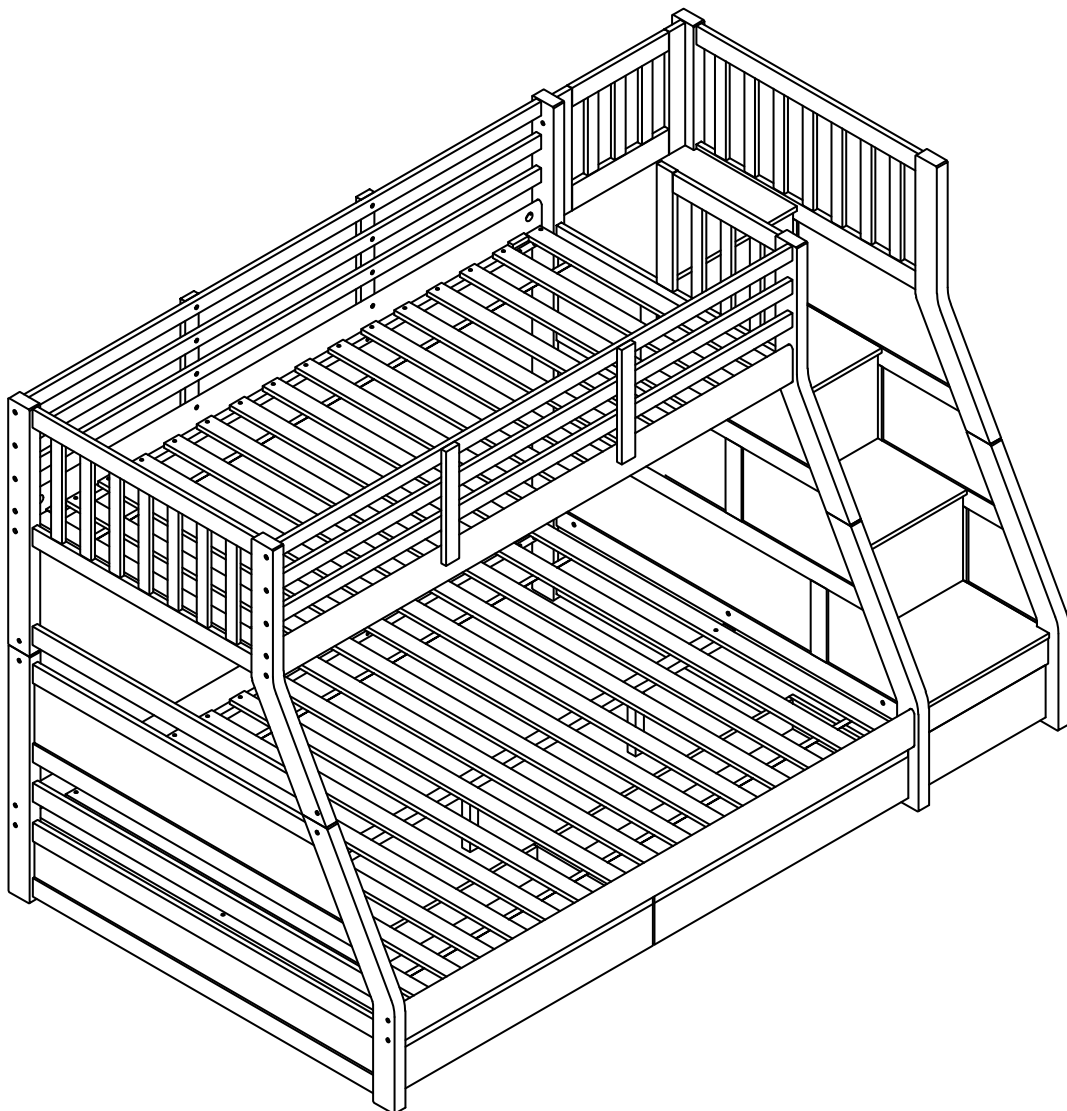


10 Allen key 1pc

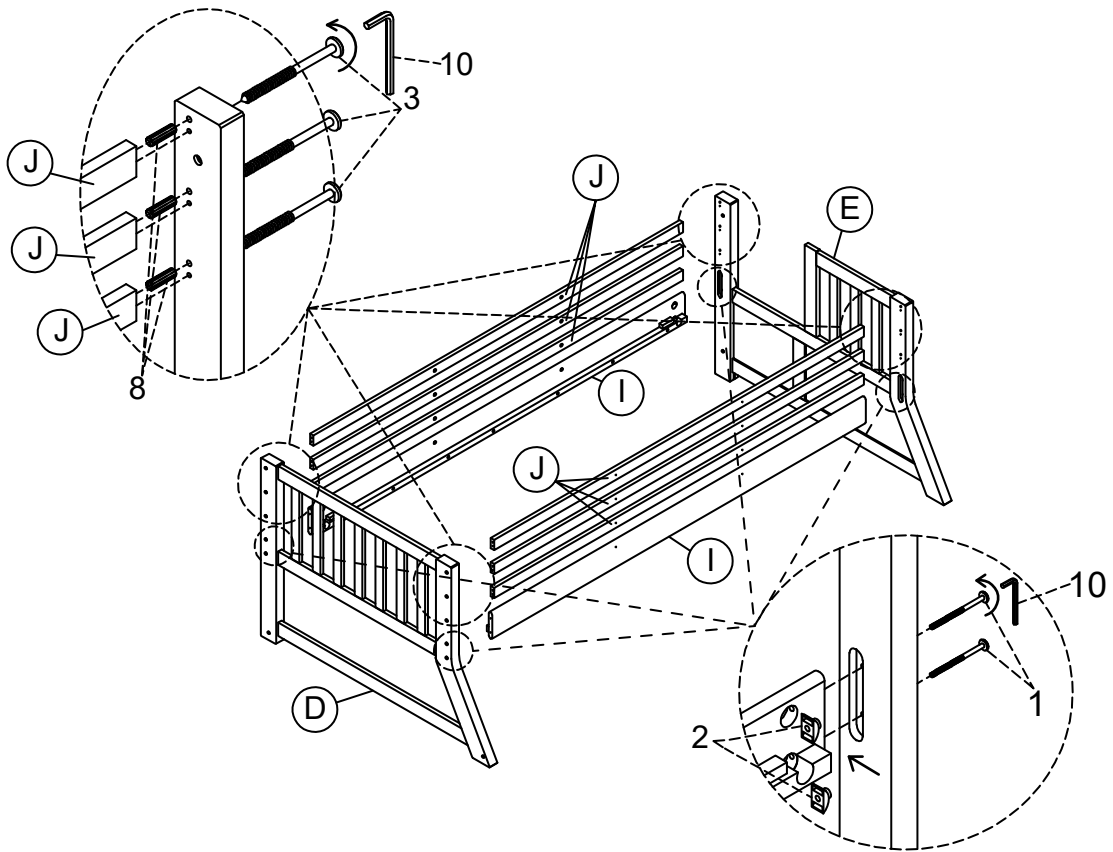


Screw driver not provided)

TOOLS REQUIRED

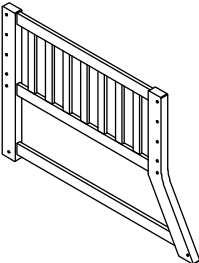
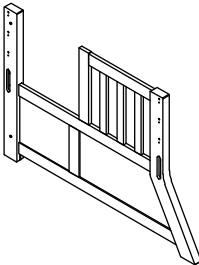
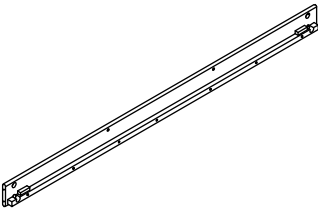
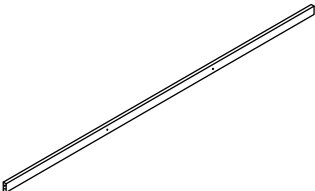


Step 1.

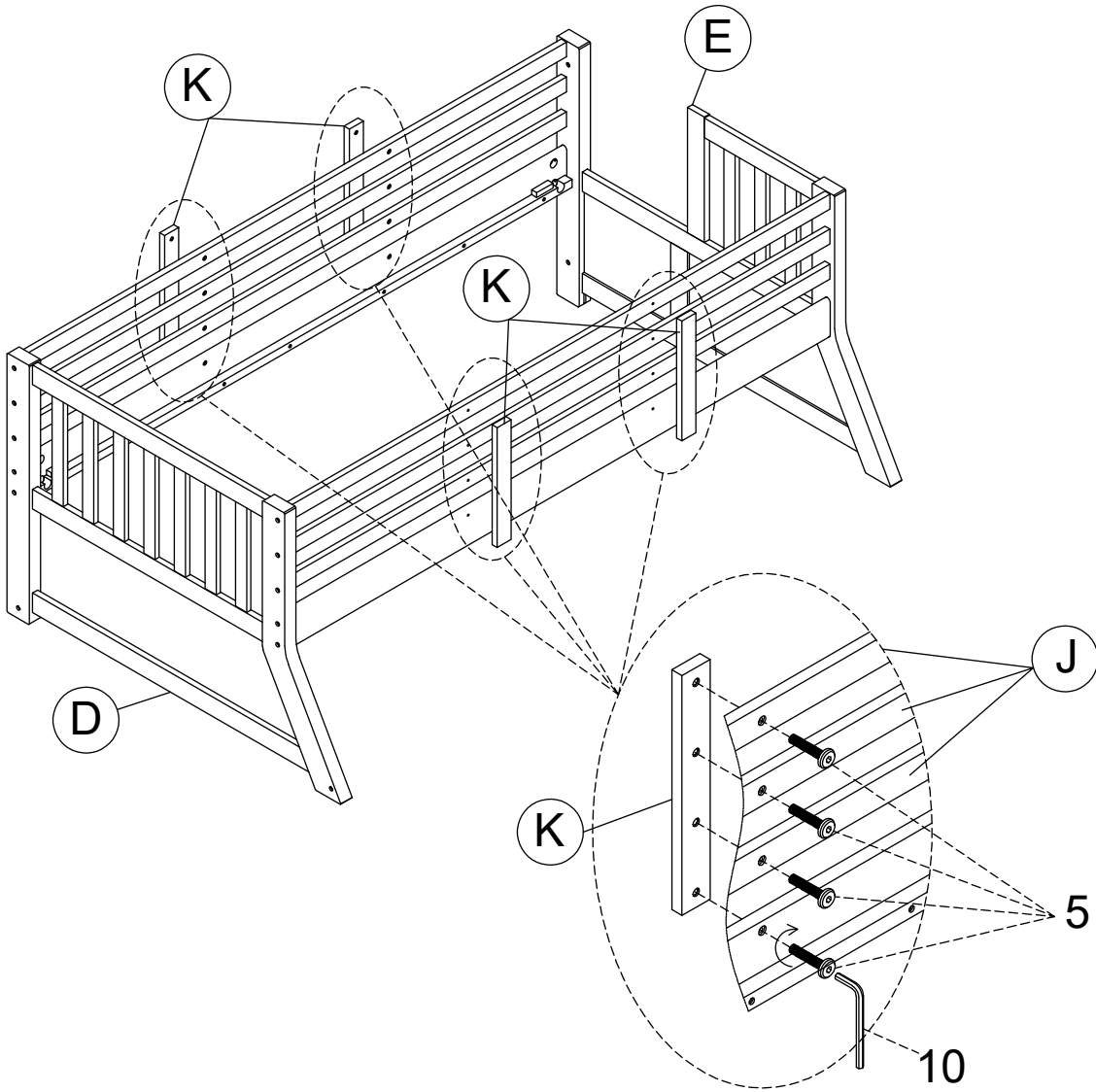


Part

Hardware

Item	Description	Qty	Item	Description	Qty	Code	Description	Qty
	Upper Bunk Head Board Left	1pc		Upper Bunk Head Board Middle	1pc	1	Bolt M6x80	8pcs
	Upper Bunk Siderail	2pcs		Upper Bunk Barrier	6pcs	2	Half Moon Washer	8pcs
						3	Bolt 7.0x80	12pcs
						8	Wood Dowel Ø8x30	12pcs
						10	Allen key	1pc

Step 2.



Part

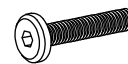
Item Description Qty



K Upper Bunk Barrier Support 4pcs

Hardware

Code Description Qty

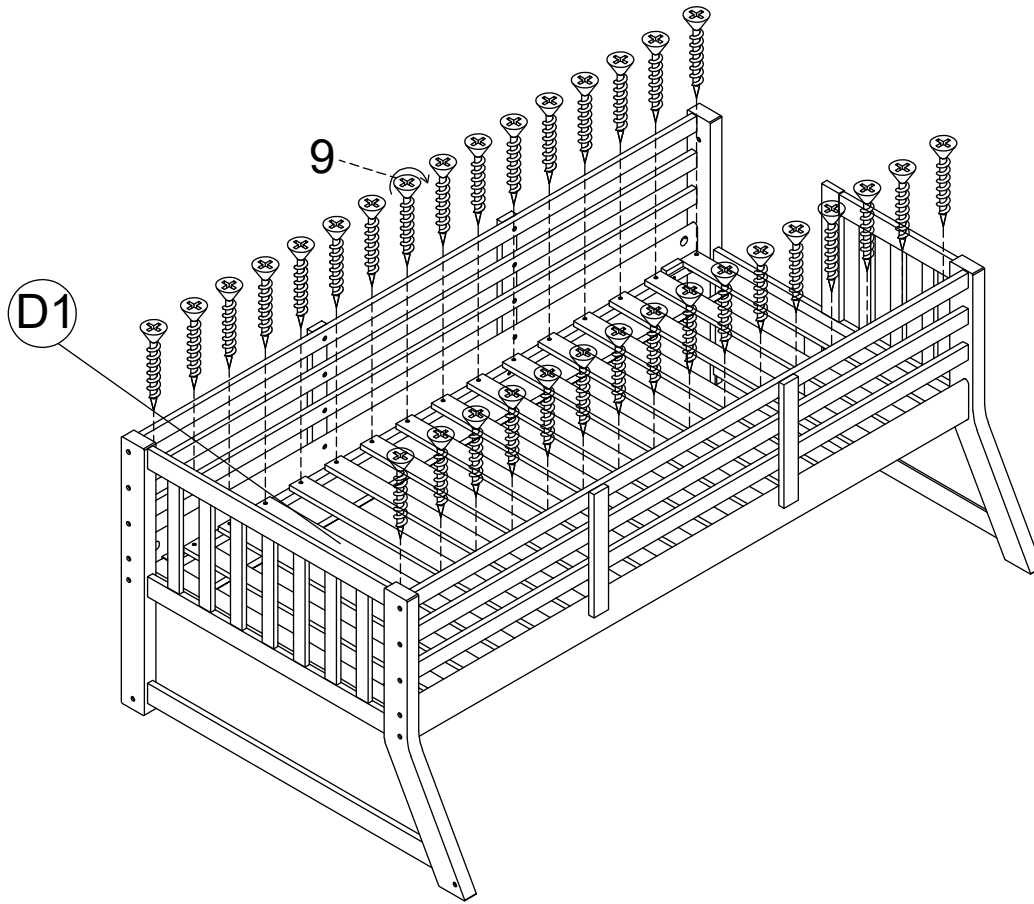


5 Bolt M6x30 16pcs



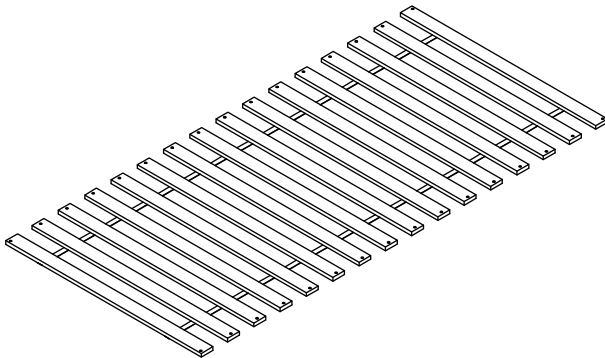
10 Allen key 1pc

Step 3.



Part

Item Description Qty



Upper Bunk
D1 Slats Roll 1set

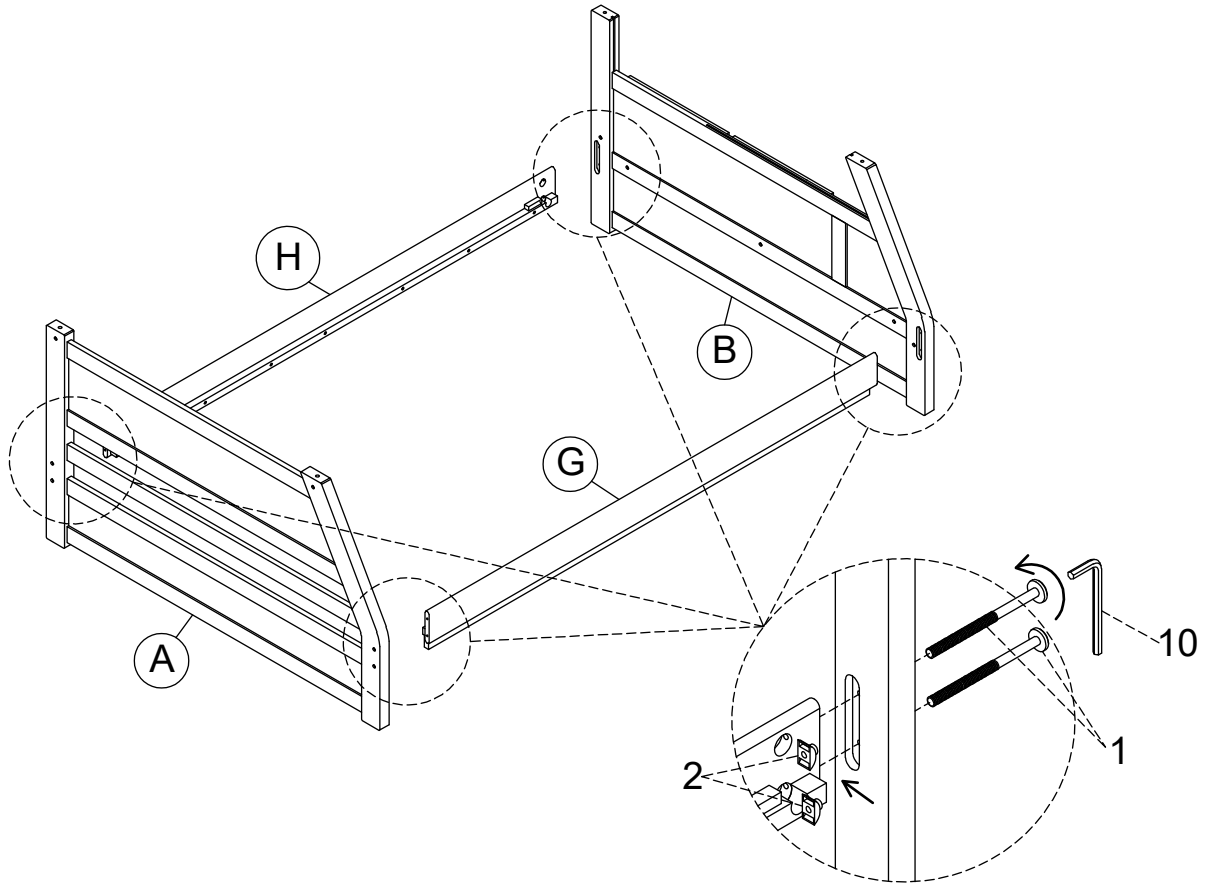
Hardware

Code Description Qty



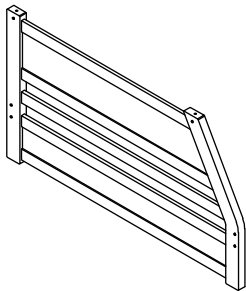
9 Screw 4x30 32pcs

Step 4.



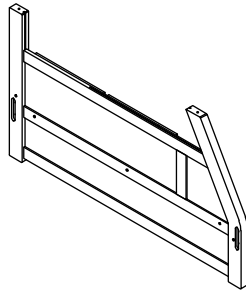
Part

Item Description Qty

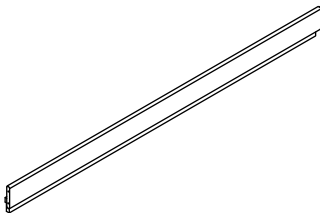


Lower Bunk
A Head Board Left 1pc

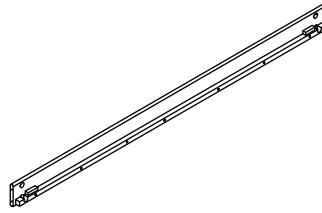
Item Description Qty



Lower Bunk
B Head Board Middle 1pc



Lower Bunk
G Siderail (Outer) 1pc



Lower Bunk
H Siderail (Inner) 1pc

Hardware

Code Description Qty



1 Bolt M6x80 8pcs

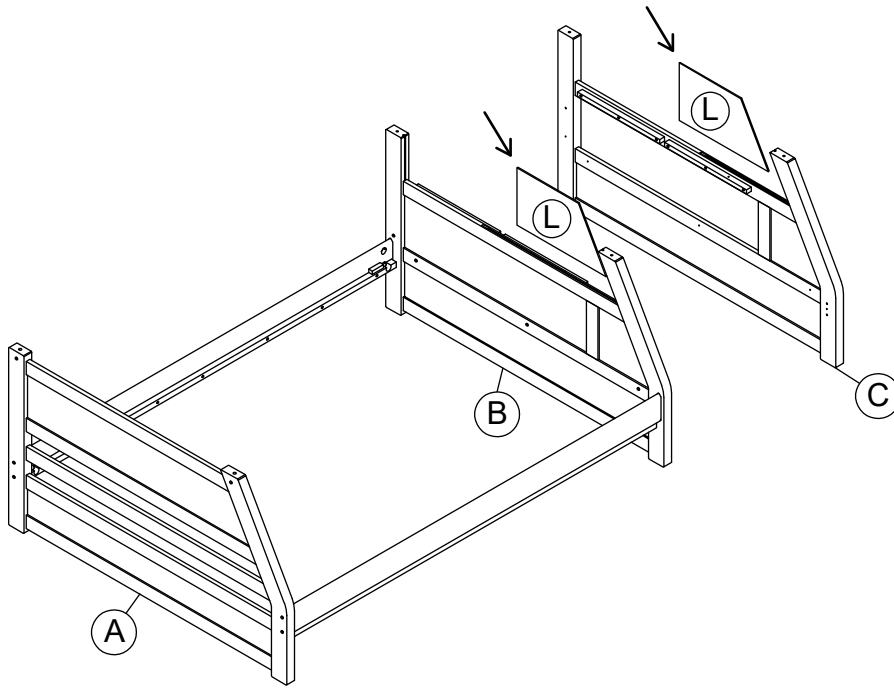


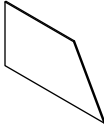
2 Half Moon Washer 8pcs



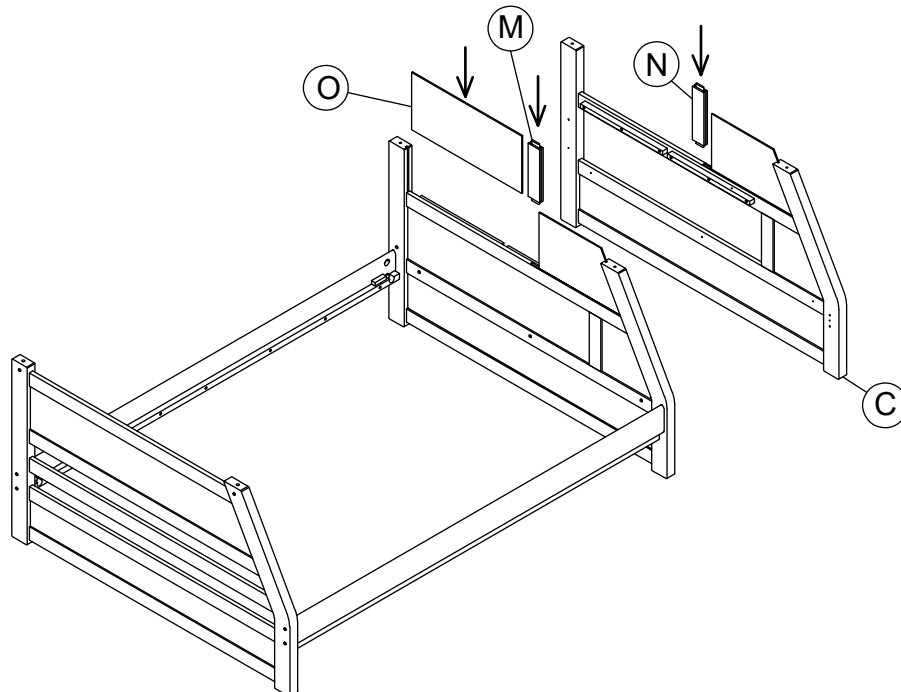
10 Allen key 1pc


Step 5.




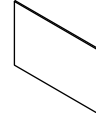
Item	Description	Qty
		
L	Headboard Panel	2pcs

Step 6.

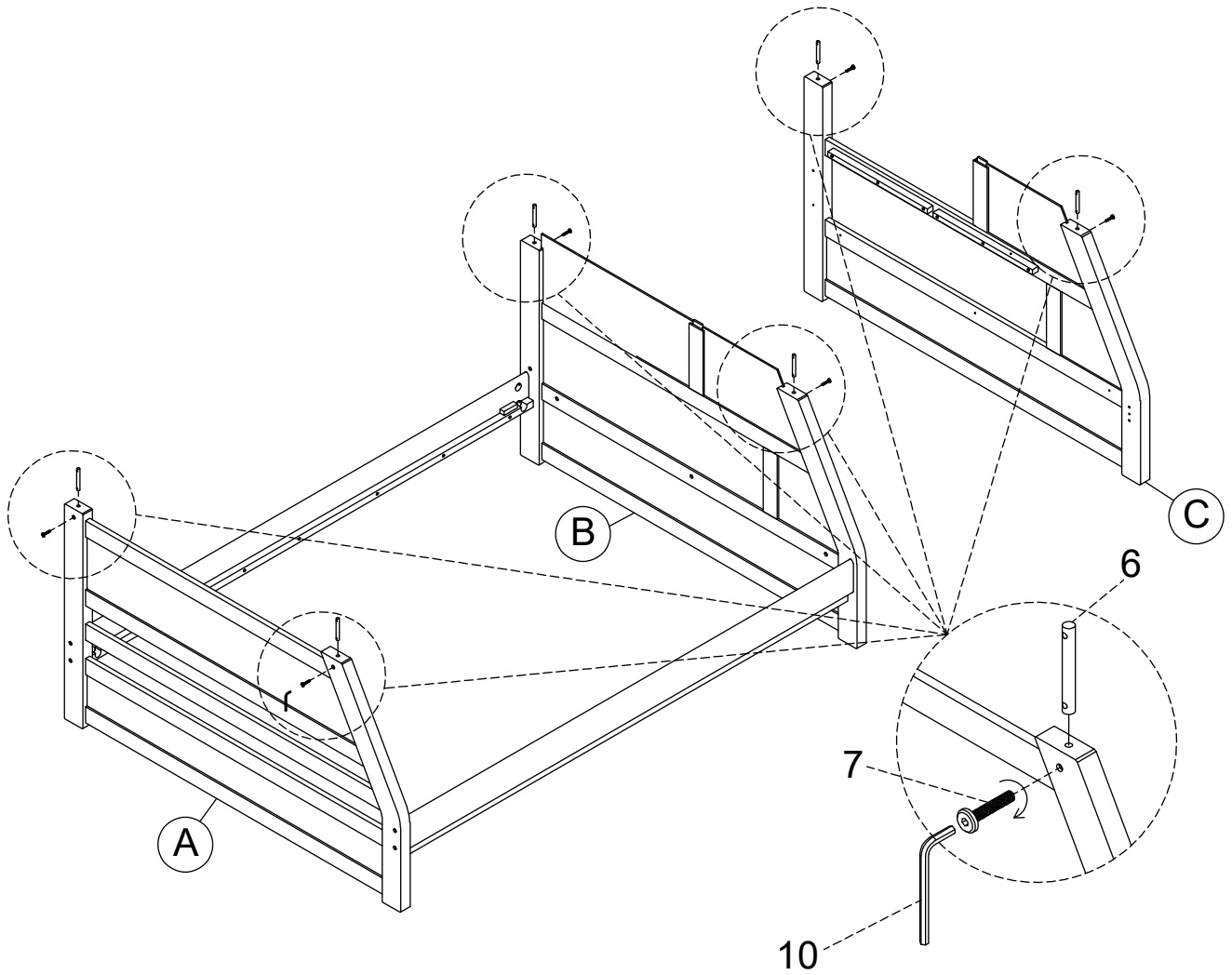


Item	Description	Qty
		
M	Headboard Bar Left	1pc

Item	Description	Qty
		
N	Headboard Bar Right	1pc

Item	Description	Qty
		
O	Headboard Panel 1	1pc

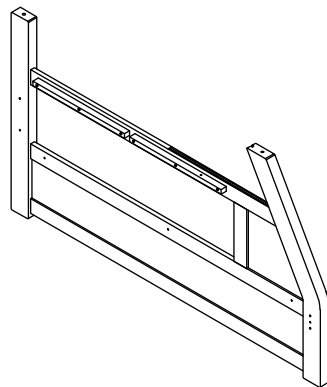
Step 7.



Part

Hardware

Item Description Qty

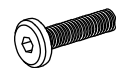


**Lower Bunk
C Head Board Right 1pc**

Code Description Qty



6 Nut Ø10x80xM6 6pcs

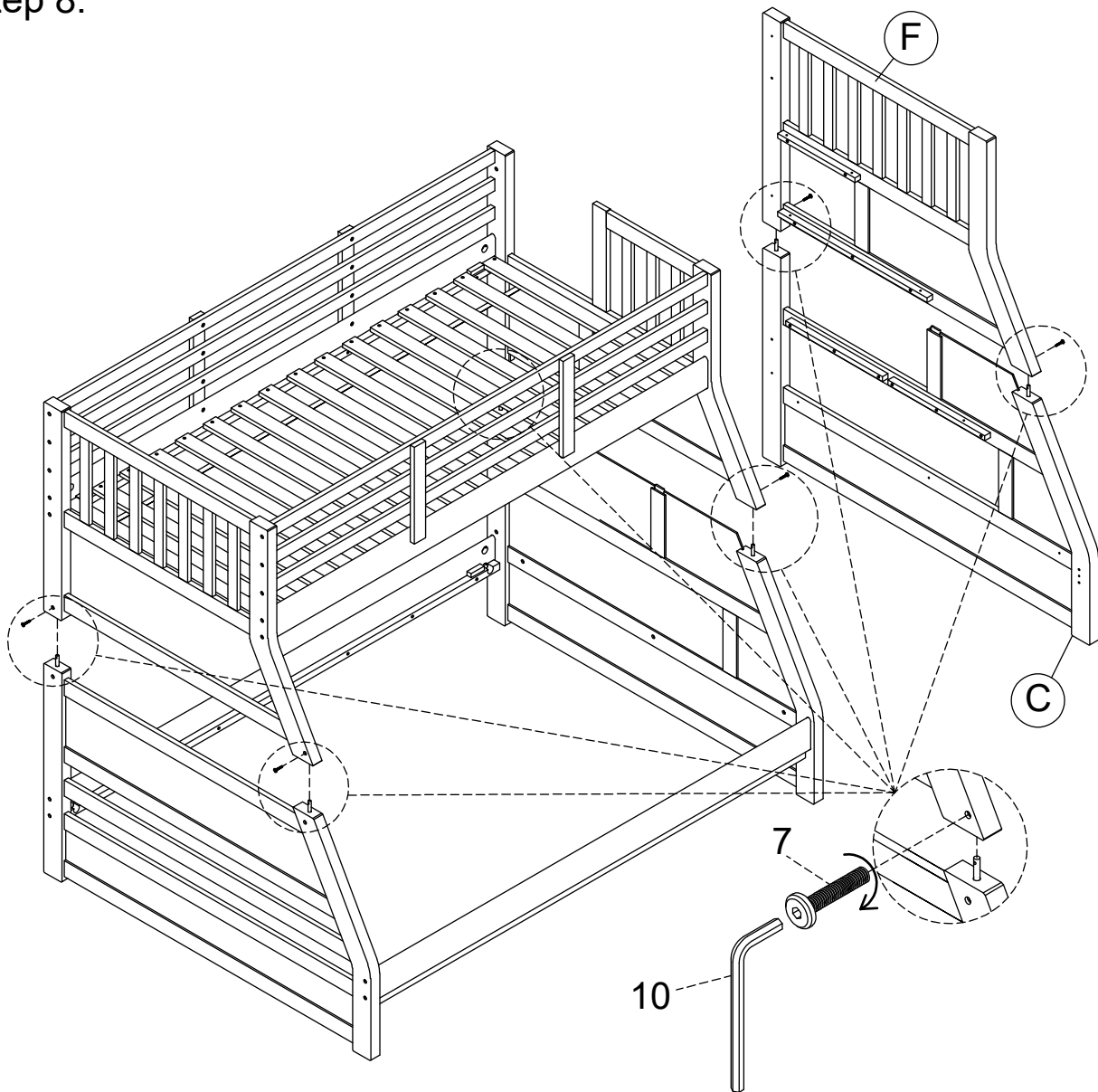


7 M6x25 6pcs



10 Allen key 1pc

Step 8.

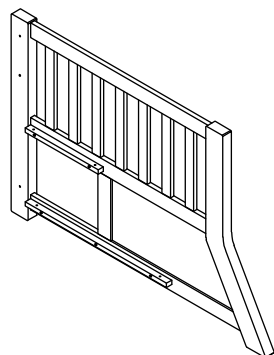


Part

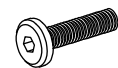
Hardware

Item Description Qty

Code Description Qty



**Upper Bunk
F Head Board Right 1pc**

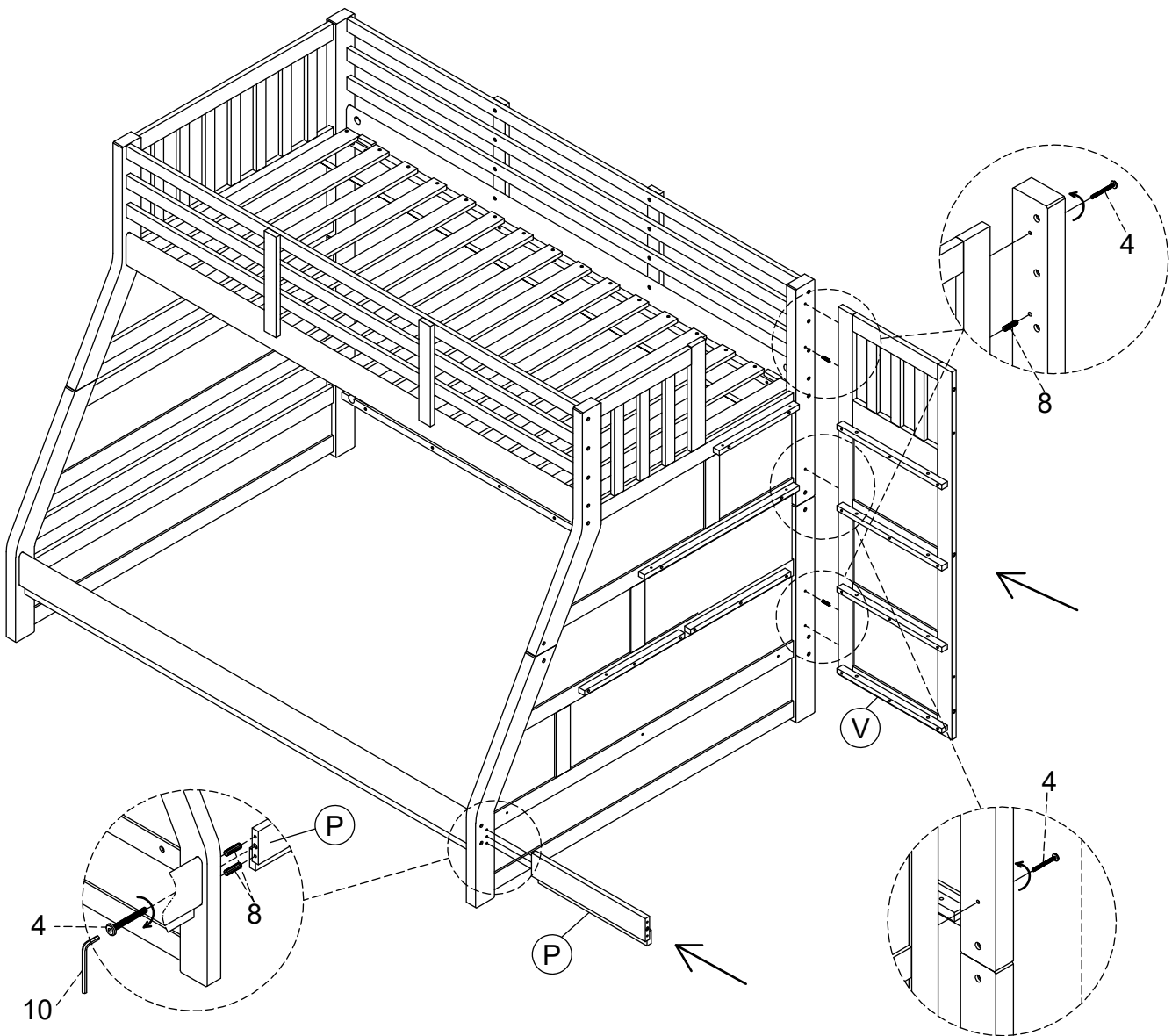


7 M6x25 6pcs



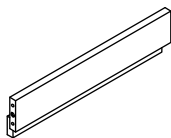
10 Allen key 1pc

Step 9.



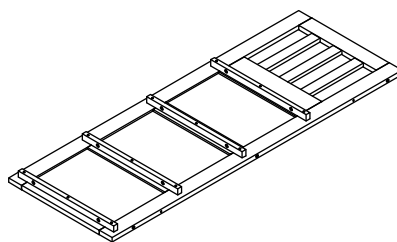
Part

Item Description Qty



P Block Drawer Bar 1pc

Item Description Qty



V Back Panel 1pc

Hardware

Code Description Qty



4 Bolt M6x50 4pcs

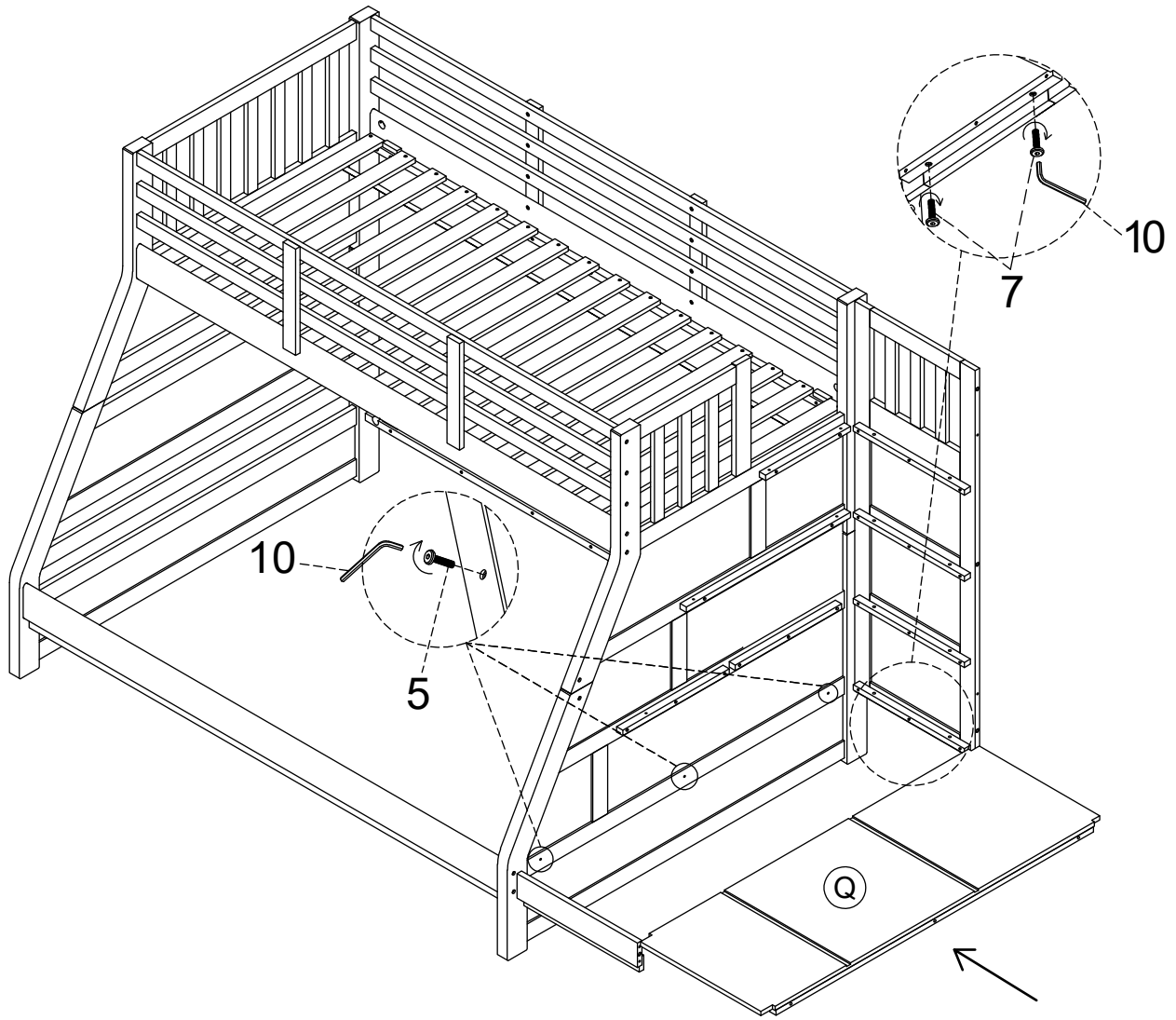


8 Wood Dowel Ø8x30 4pcs

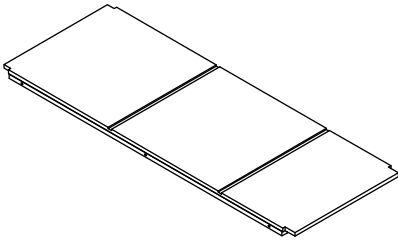


10 Allen key 1pc


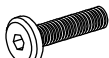

Step 10.



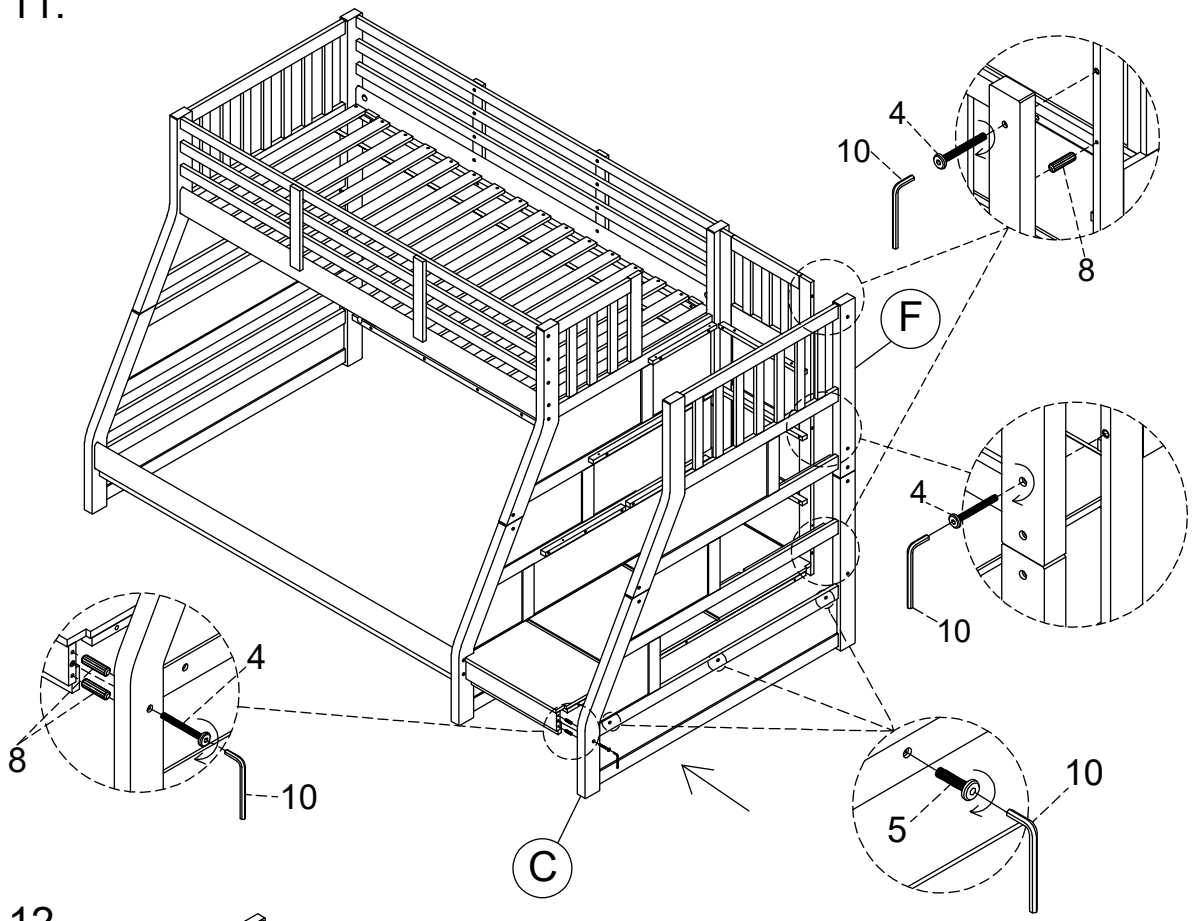
Part

Item Description	Qty
 Q Ladder Panel	1pc

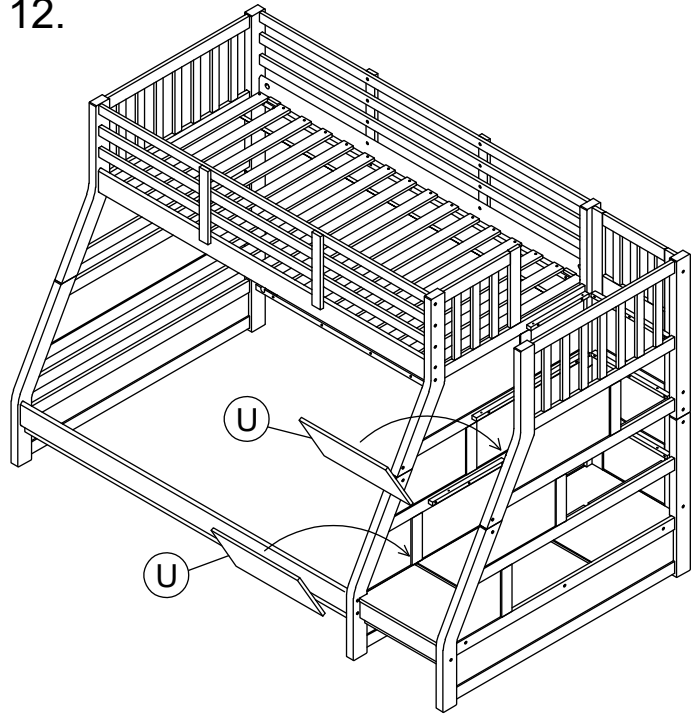
Hardware





Code	Description	Qty
5	 Bolt M6x30	3pcs
7	 Bolt M6x25	2pcs
10	 Allen key	1pc

Step 11.

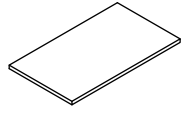


Step 12.



Hardware		
Code	Description	Qty
4	 Bolt M6x50	4pcs
5	 Bolt M6x30	3pcs
8	 Wood Dowel Ø8x30	4pcs
10	 Allen key	1pc

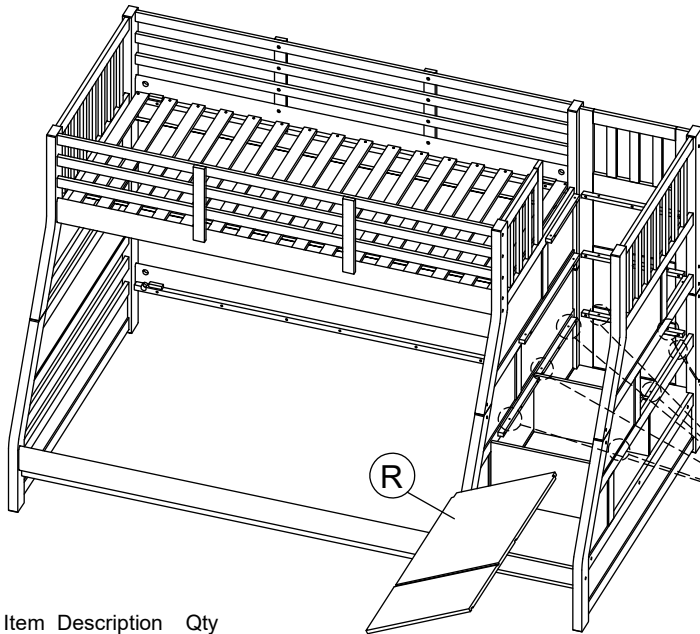
Part

Item	Description	Qty
	U Pannel	2pcs

Step 13.

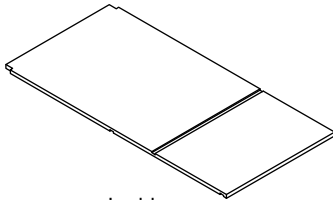
Hardware

Code	Description	Qty
7	Bolt M6x25	8pcs
10	Allen key	1pc



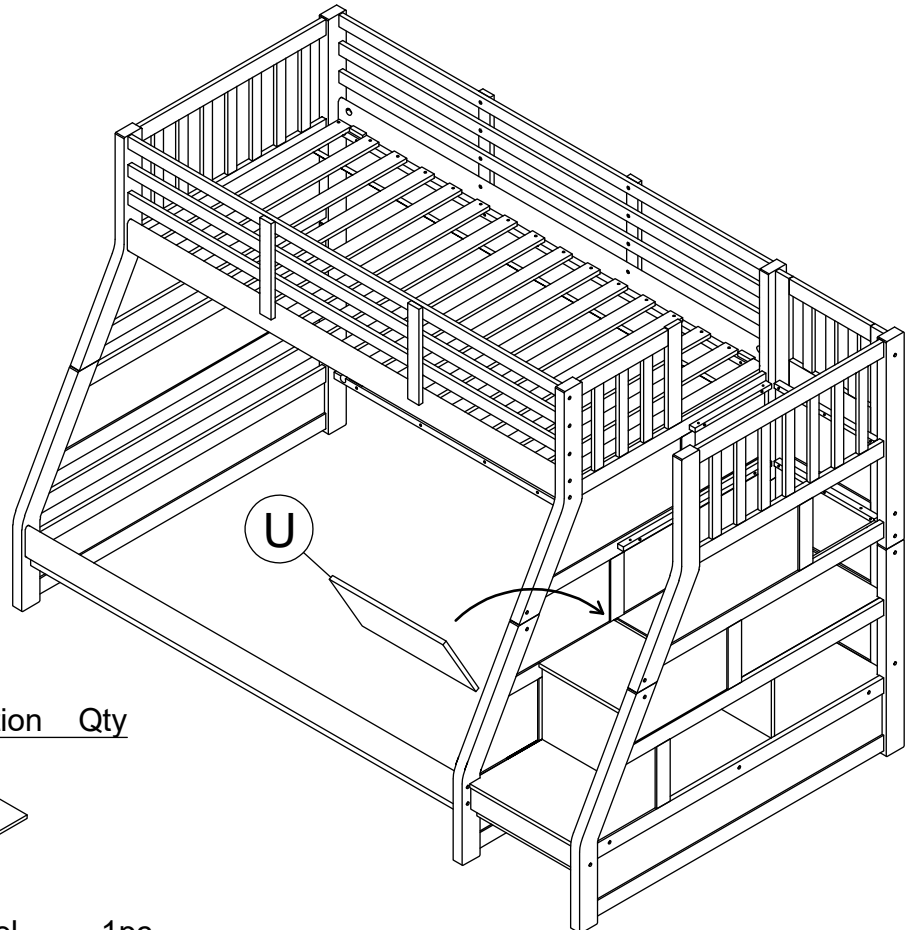
Part

Item Description Qty



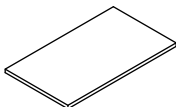
R Ladder
Pannel 1 1pc

Step 14.



Part

Item Description Qty

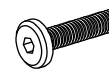


U Pannel 1pc

Step 15.

Hardware

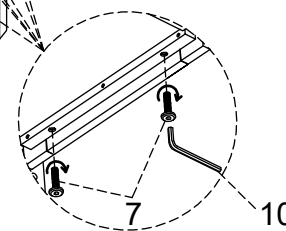
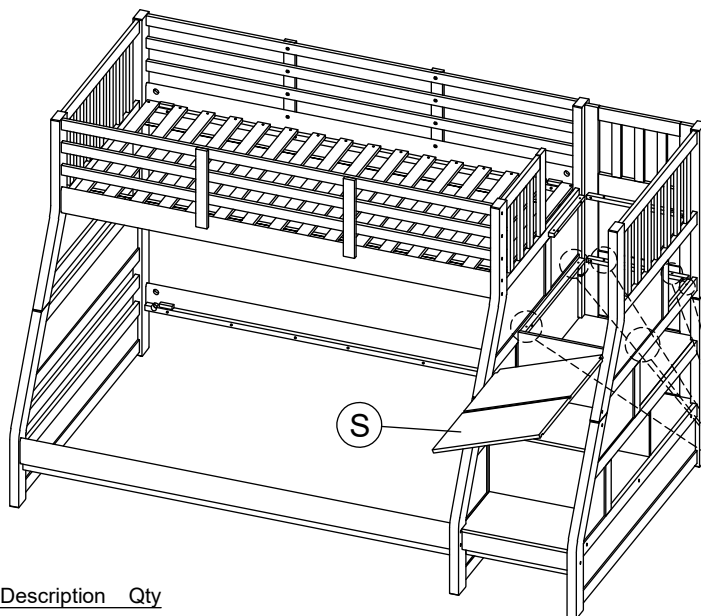
Code	Description	Qty
------	-------------	-----



7	Bolt M6x25	6pcs
---	------------	------

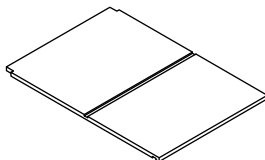


10	Allen key	1pc
----	-----------	-----



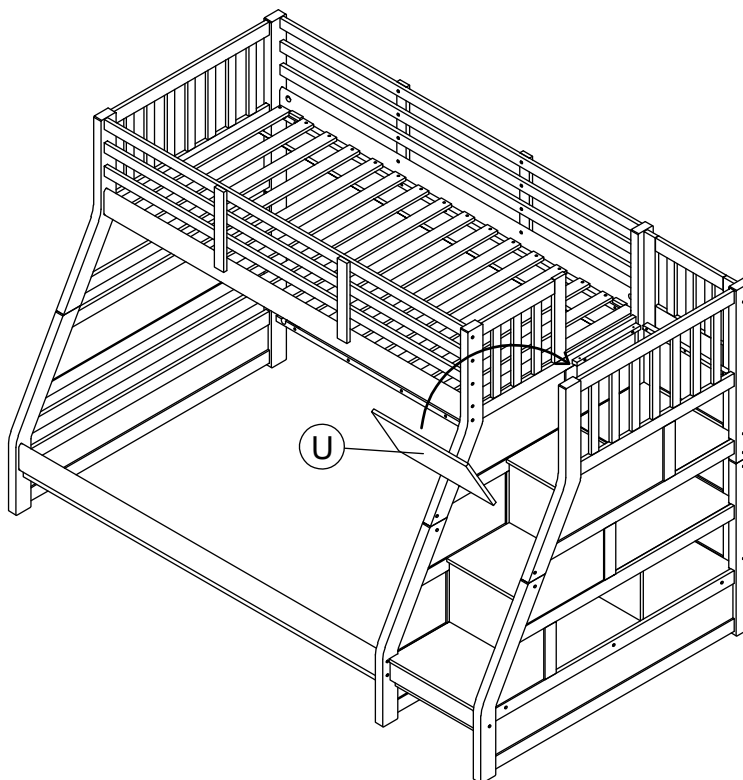
Part

Item	Description	Qty
------	-------------	-----



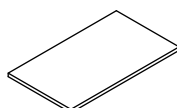
S	Ladder Panel 2	1pc
---	----------------	-----

Step 17.



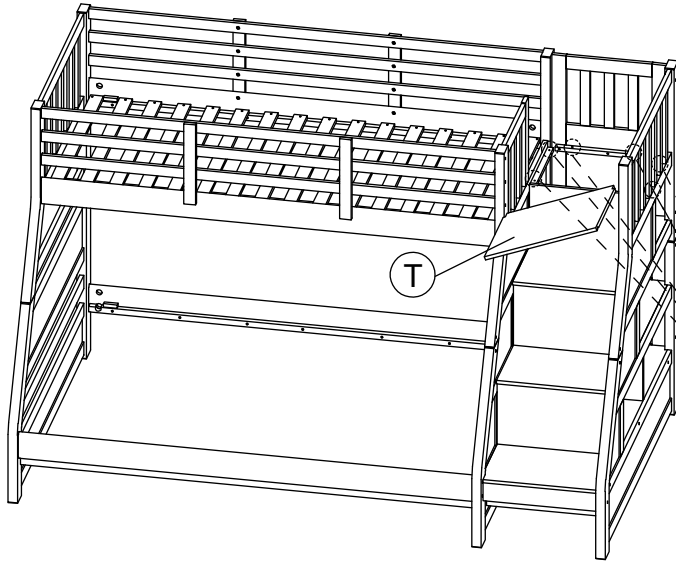
Part

Item	Description	Qty
------	-------------	-----

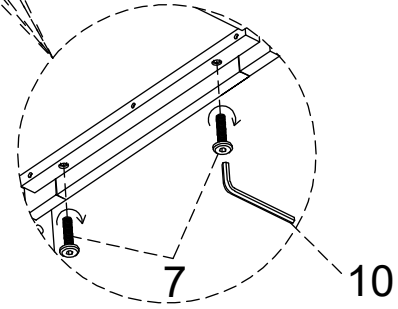


U	Panel	1pc
---	-------	-----

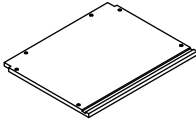
Step 18.



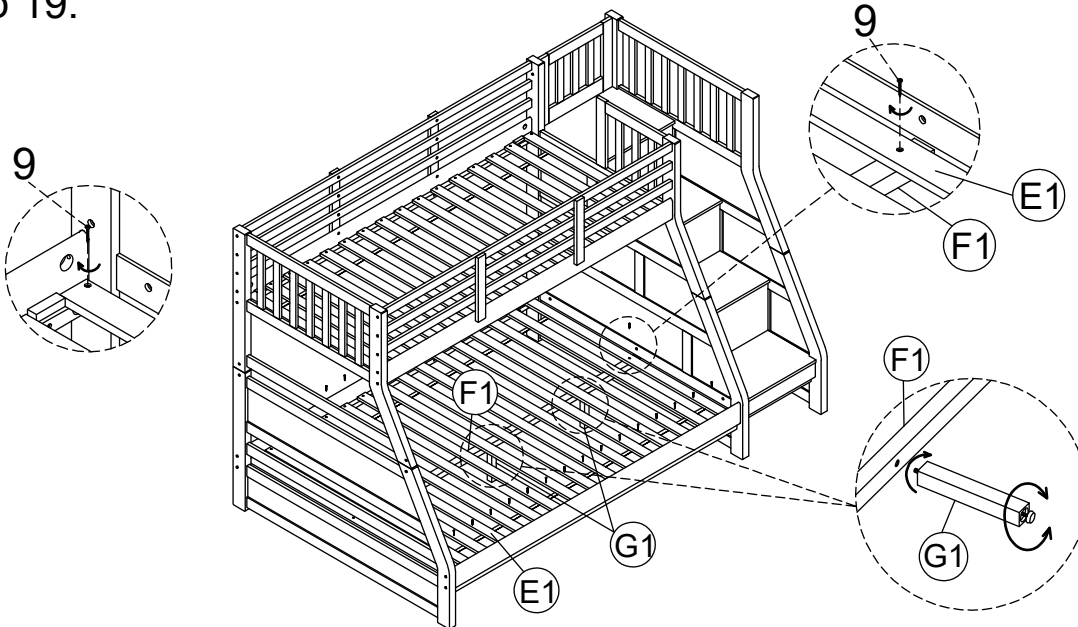
Hardware		
Code	Description	Qty
7	Bolt M6x25	6pc
10	Allen key	1pc



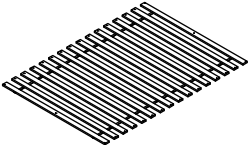
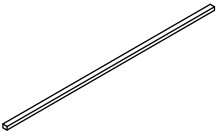

Part

Item Description	Qty
	
Ladder Panel 3	1pc
T	

Step 19.



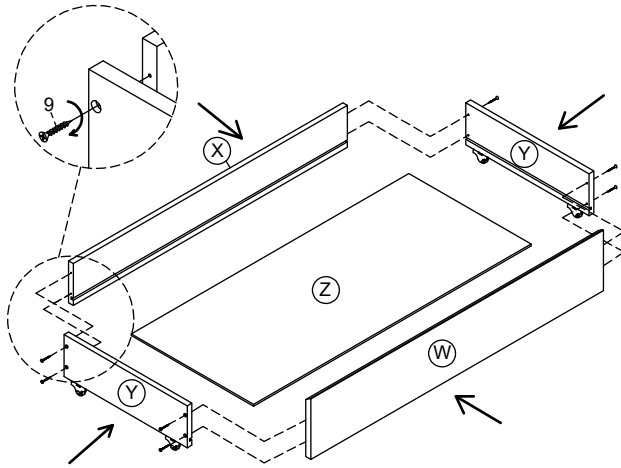
Part

Item Description	Qty	Item Description	Qty	Item Description	Qty
					
Lower Bunk Slats Roll	1set	Slat Support Rail	1pc	Support Leg	3pcs
E1		F1		G1	

Hardware

Code	Description	Qty
9	Screw 4x30	34pcs

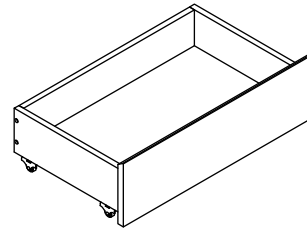
Step 20.



Hardware		
Code	Description	Qty



9 Screw 4x30 16pcs

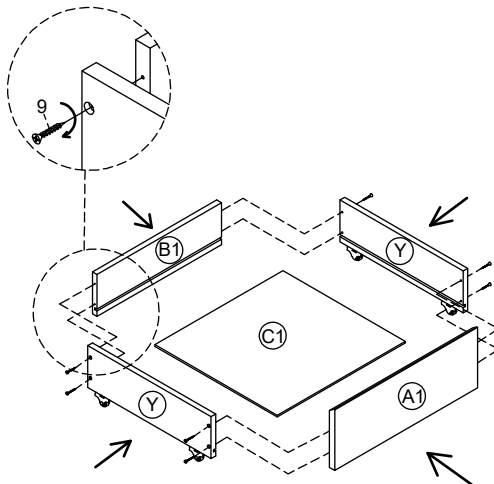


Large box: 2PCS

Part

Item	Description	Qty	Item	Description	Qty	Item	Description	Qty	Item	Description	Qty
	Drawer Large W	2pcs		Drawer Large X	2pcs		Drawer Y	4pcs		Drawer Large Z	2pcs
	Drawer Top			Back Side			Side Board			Bottom Board	

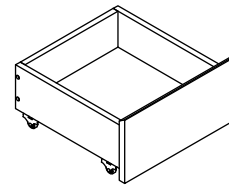
Step 21.



Hardware		
Code	Description	Qty



9 Screw 4x30 8pcs



Small box: 1PC

Part

Item	Description	Qty	Item	Description	Qty	Item	Description	Qty	Item	Description	Qty
	Drawer Y	2pcs		Drawer Small A1	1pc		Drawer Small B1	1pc		Drawer Small C1	1pc
	Side Board			Drawer Top			Back Side			Bottom Board	

FINISH

