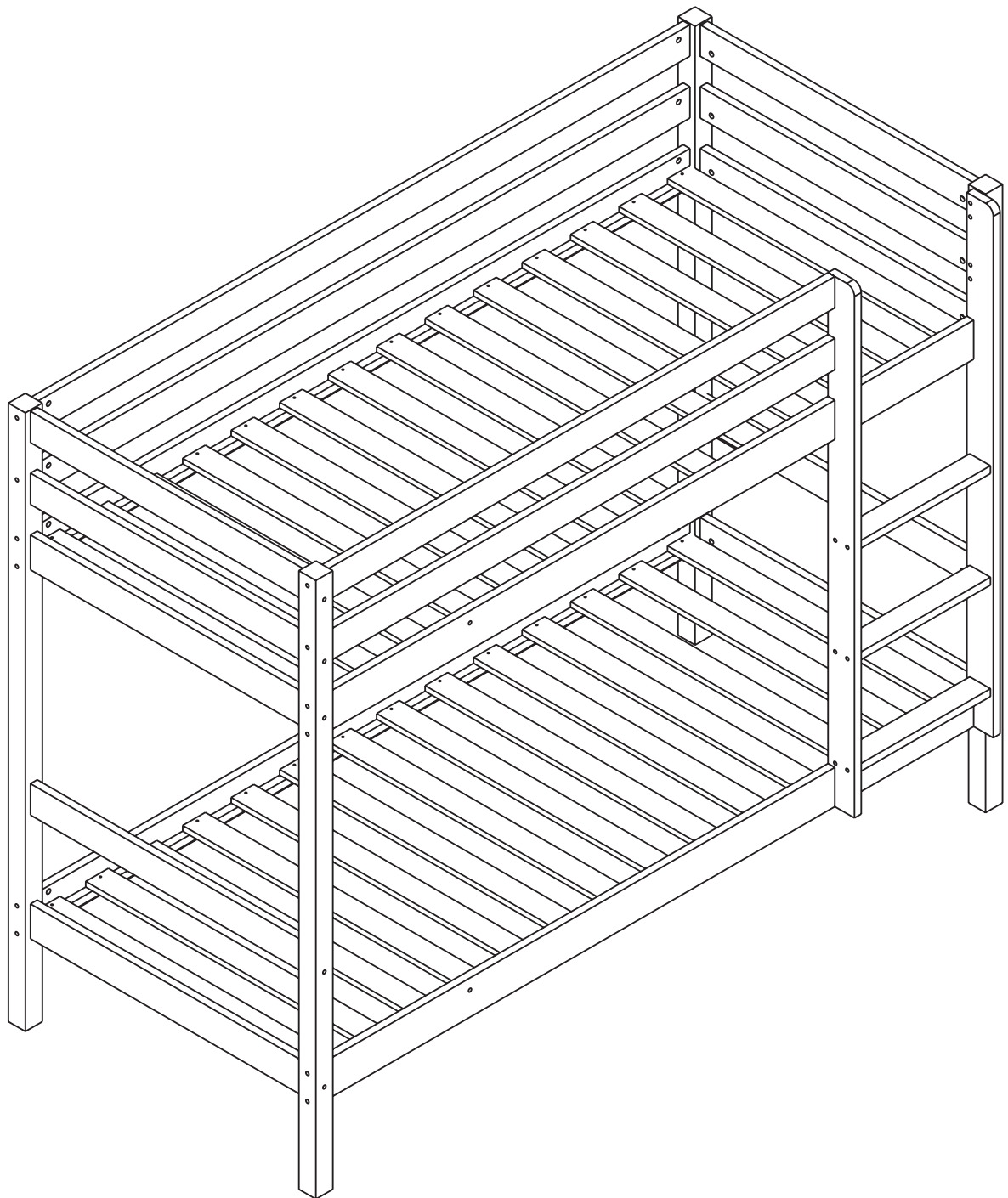
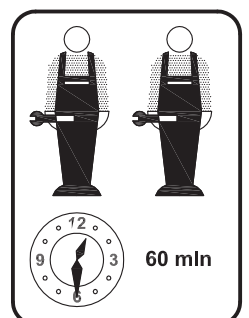


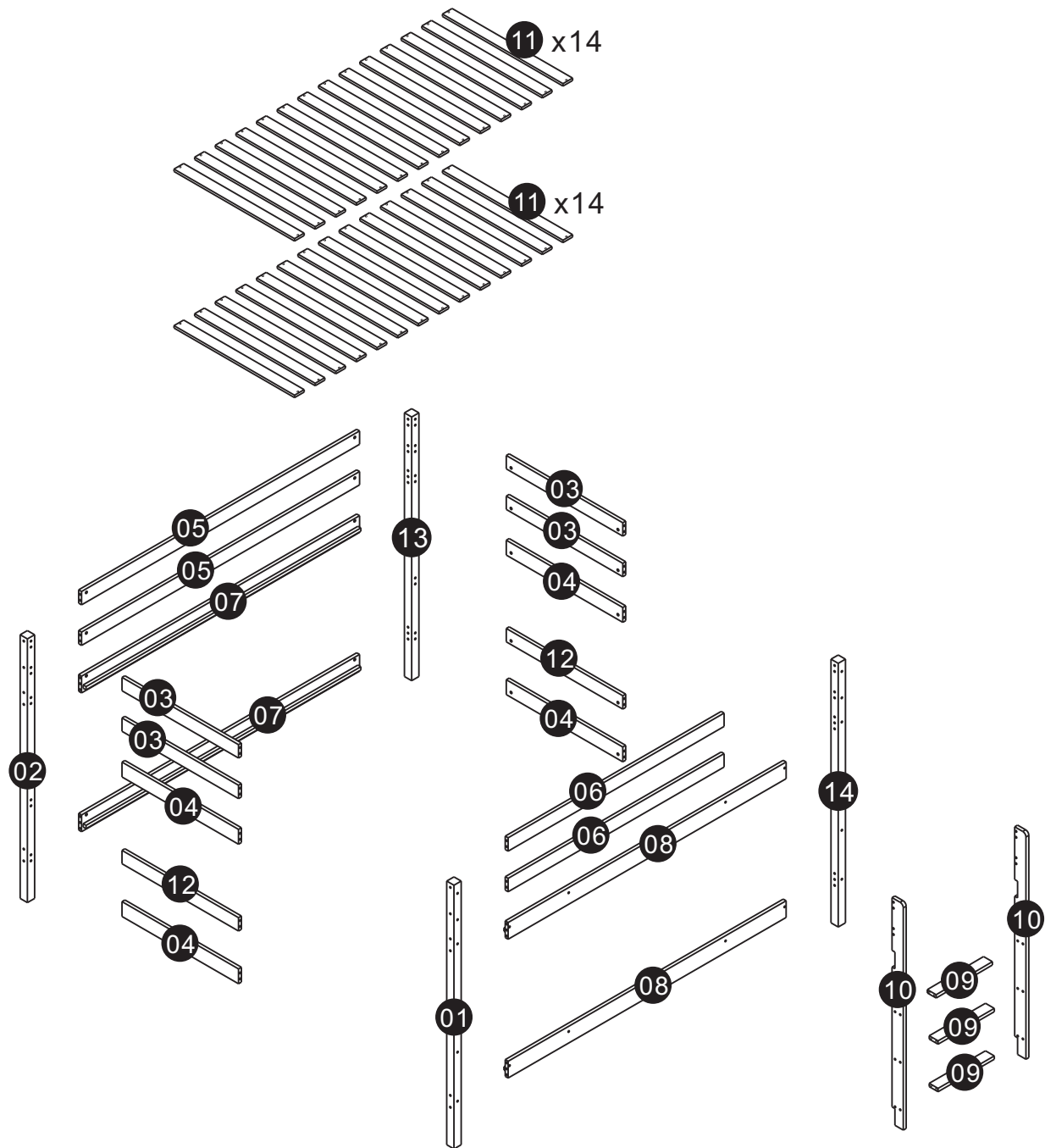
# CALLISTO SHORTY BUNK





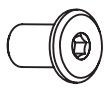



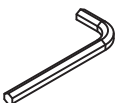



READ THE ASSEMBLY INSTRUCTIONS CAREFULLY. IDENTIFY THE ELEMENTS CONSTITUING YOUR PIECE OF FURNITURE. GROUP AND CHECK THE HARDWARE FITTINGS. GET THE TOOLS NEEDED. CLEAR SPACE TO WORK. PROCEED TO ASSEMBLE

NEVER FORCE THE FITTINGS. TIGHTEN THE SCREW AFTER USING FOR SOMETIME. KEEP YOUR ASSEMBLY INSTRUCTIONS, IT COULD HELP FOR BETTER COMMUNICATION WITH YOUR STORE. IN THE EVENT OF QUERY.





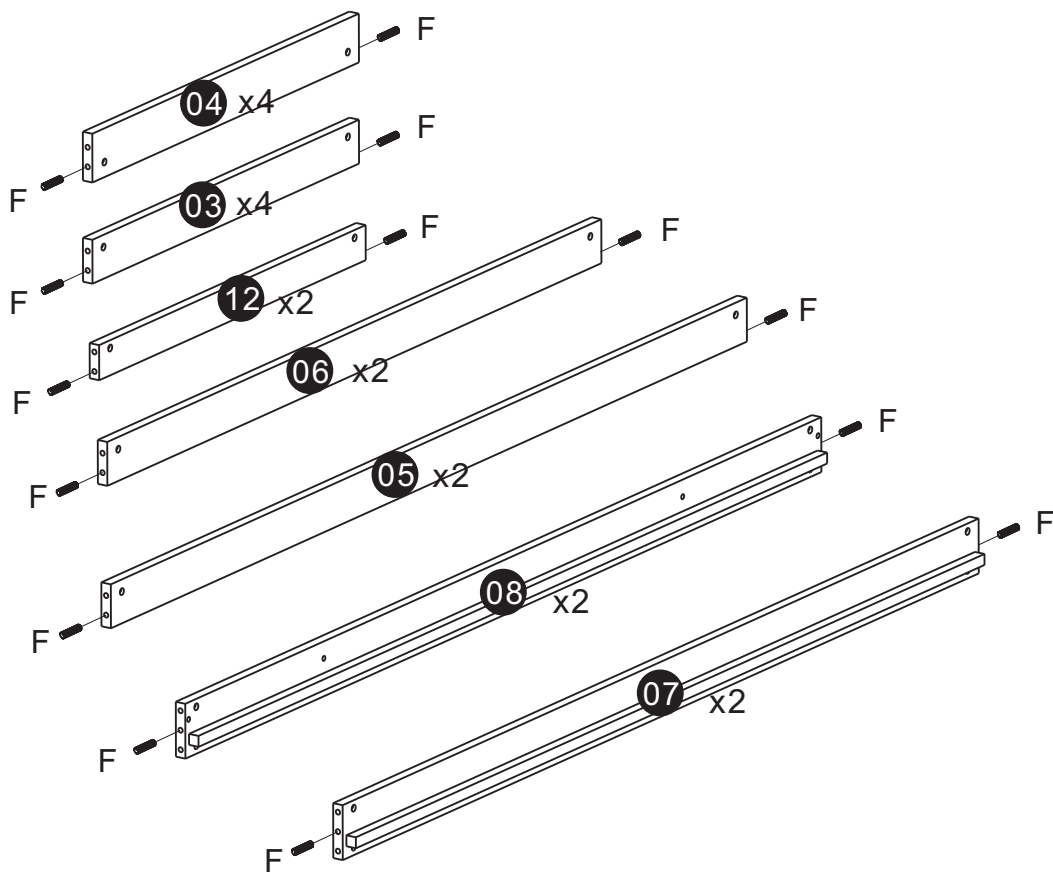
<p>A x42</p>  <p>M6 x90mm</p>	<p>B x2</p>  <p>M6x60mm</p>	<p>C x44</p>  <p>M6x50mm</p>	<p>D x6</p>  <p>M6x50mm</p>	<p>E x6</p> 
<p>F x36</p>  <p>Ø8 x30mm</p>	<p>G x12</p>  <p>Ø7 x60mm</p>	<p>I x56</p>  <p>Ø4 x30mm</p>	<p>J x2</p> 	<p>K x4</p> 

01

F x36



Ø8 x30mm



02

A x10

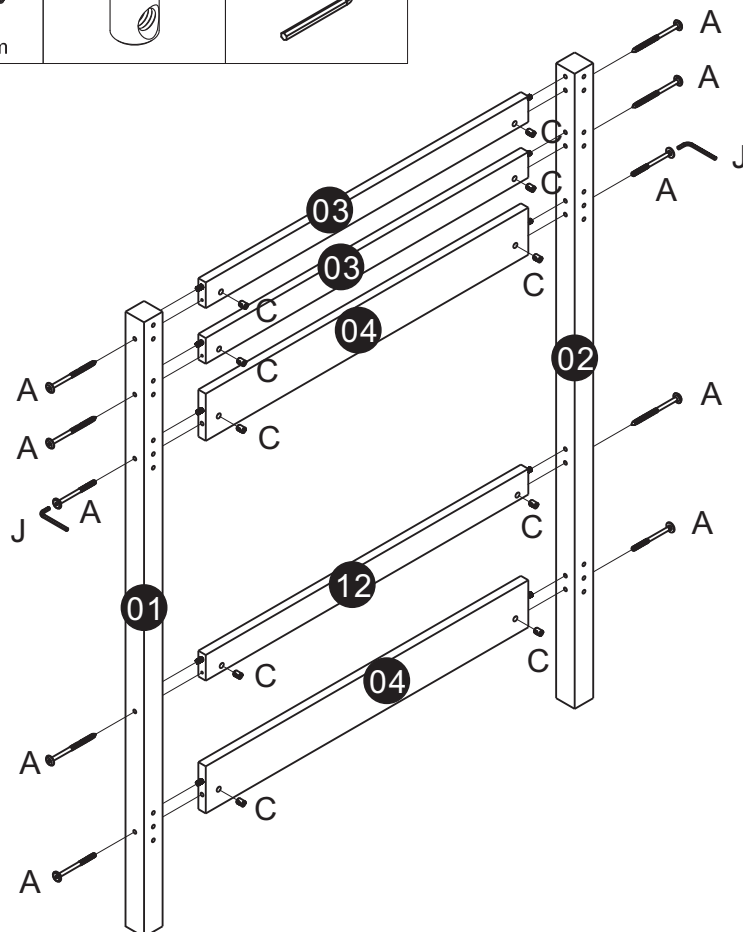


M6 x90mm




C x10

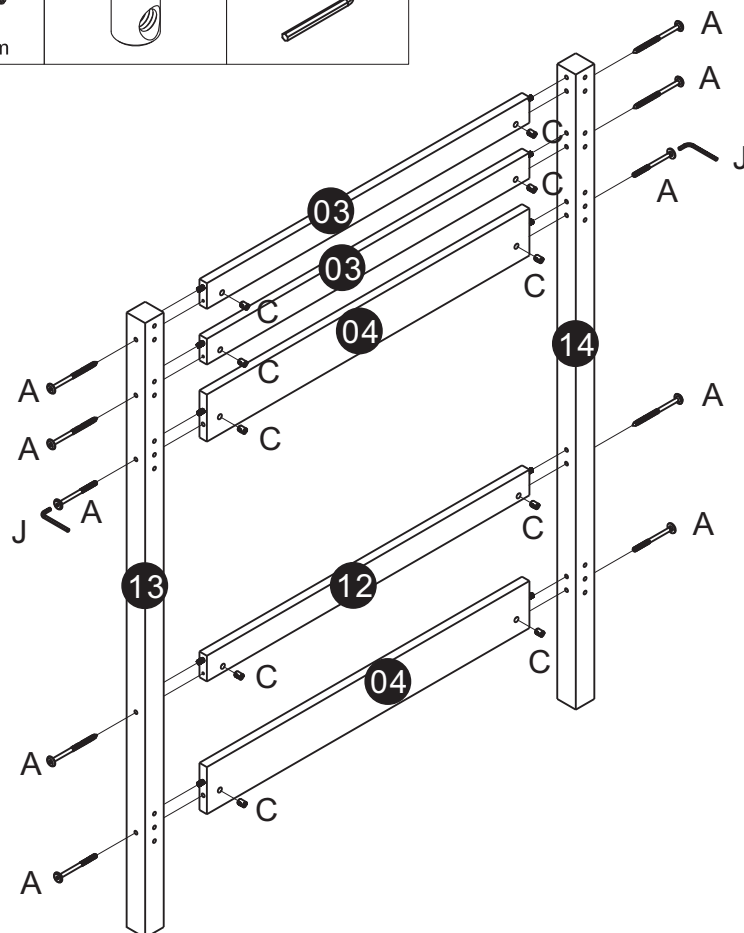


J x1






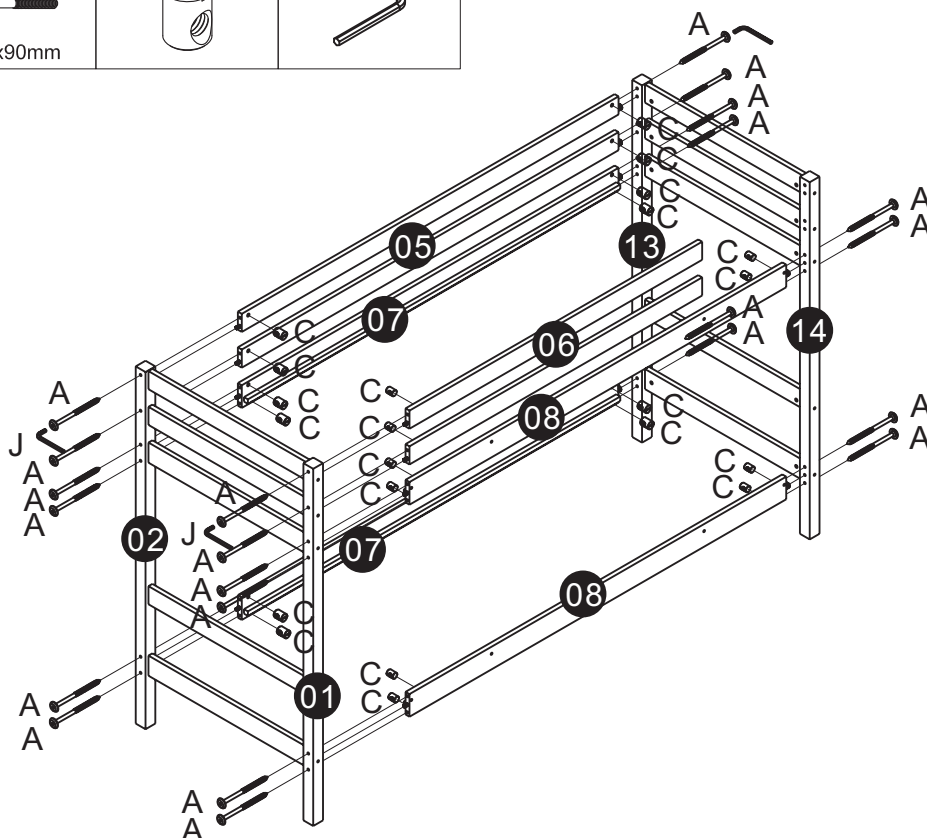
03

A x10  M6 x90mm	C x10 	J x1 
--	--	---



04

A x22  M6 x90mm	C x22 	J x1 
--	--	---



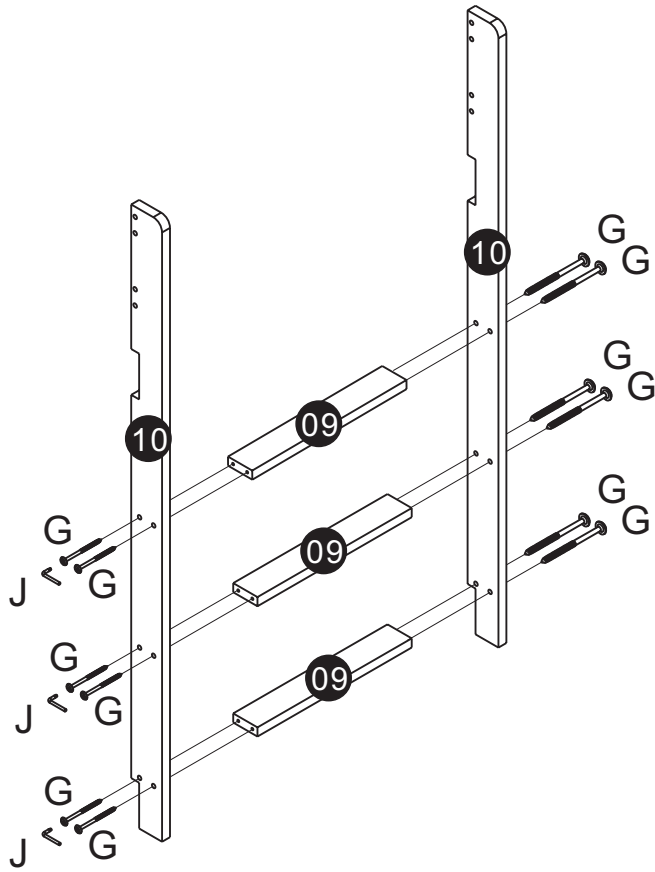
05

G x12



Ø7 x60mm

J x2



06

B x2



M6x60mm

C x2



D x6

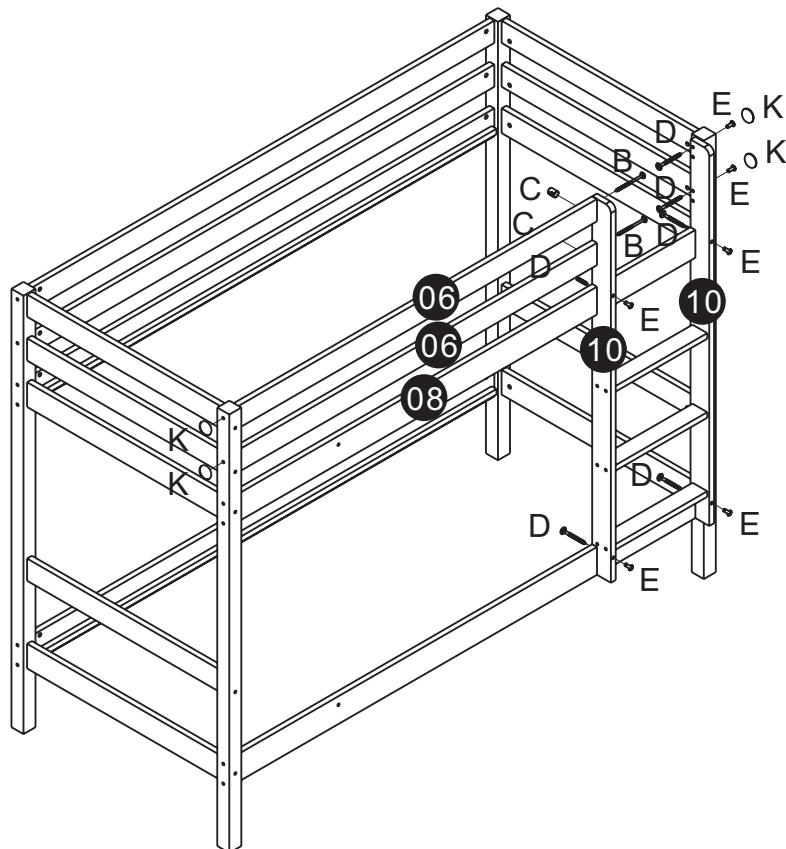


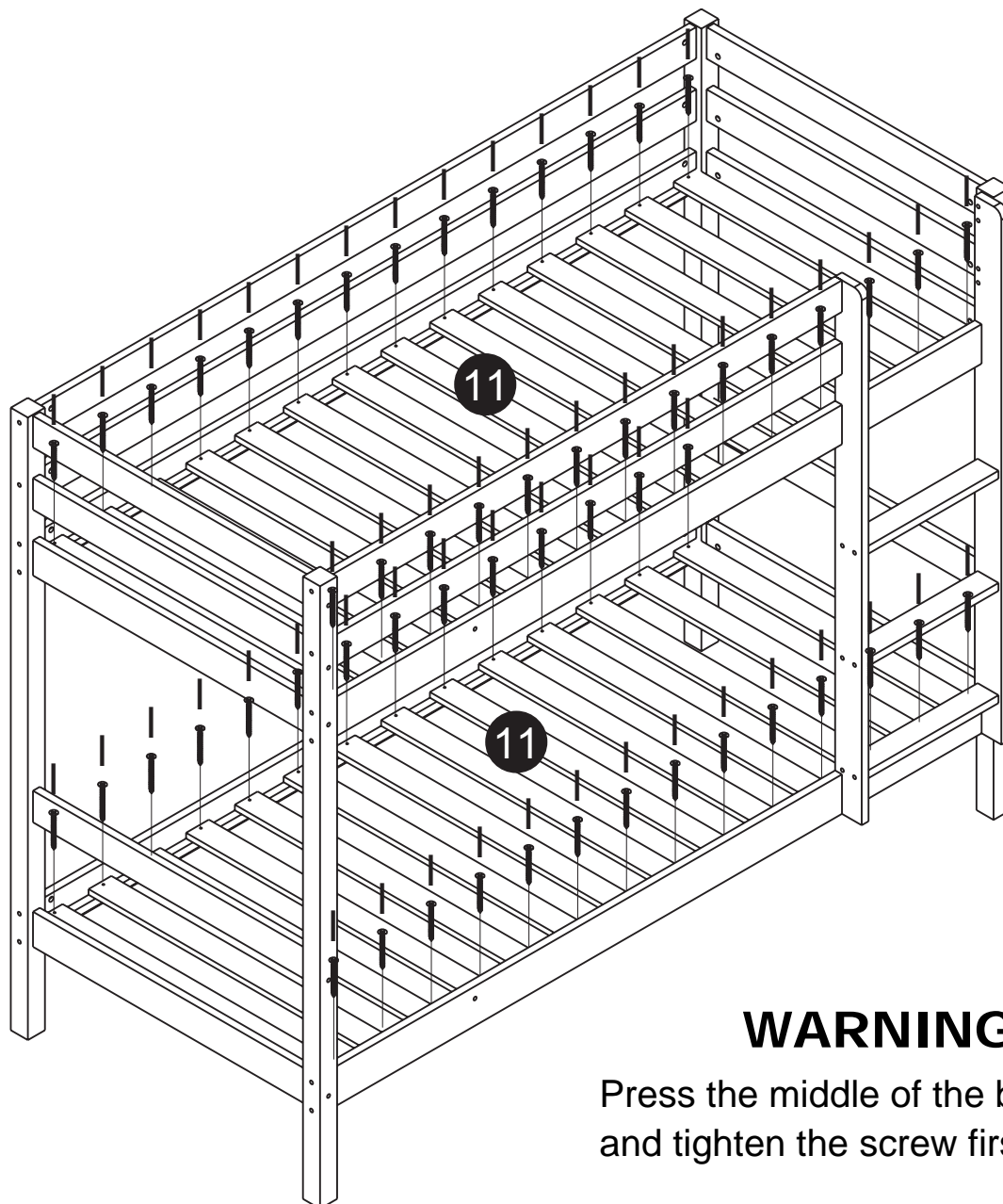
M6x50mm

E x6



K x4





## WARNING!

Press the middle of the bed sides  
and tighten the screw first!!!