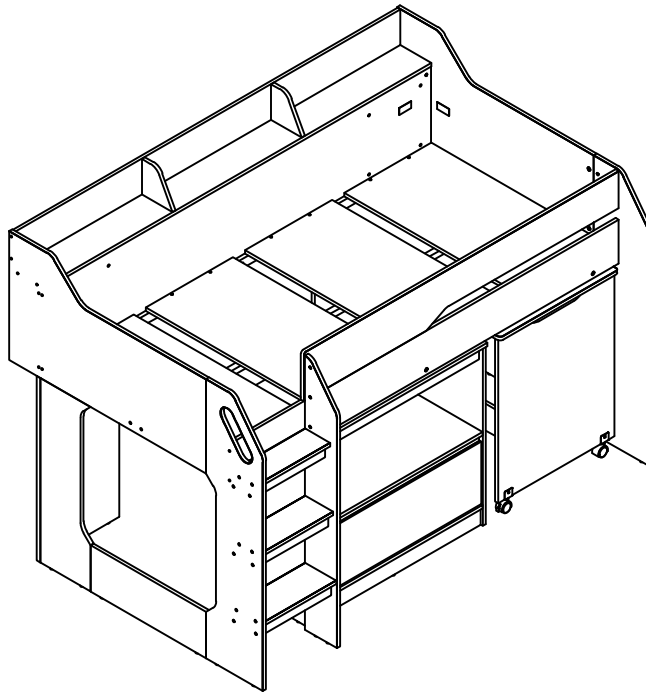




Assembly Instructions

LULU MIDSLEEPER WITH DRAWERS AND PULL OUT DESK



Important before assembly:

Please read through the instructions carefully before beginning assembly for this product. Before beginning assembly please check the contents of the boxes. These instructions will have a checklist for all of the parts and fittings required.

To avoid damaging parts it is recommended to place a rug or carpet on the floor where you will be assembling this product. Try to assemble the product as close as possible to its final location to avoid having to move it.

DO NOT use power tools as they may cause damage to the product.

Health & Safety:

When lifting heavy products please use assistance.

Small parts must be kept away from children.

Always assemble on a level, even surface.

DO NOT jump on any parts of this product or the final product.

DO NOT use this product with parts missing/damaged.

DO NOT use this product until all fixings are secured.

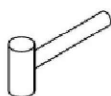
It is advised to keep these instructions for future reference.



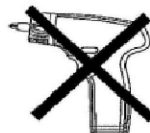
Required tools



Philips Head Screwdriver



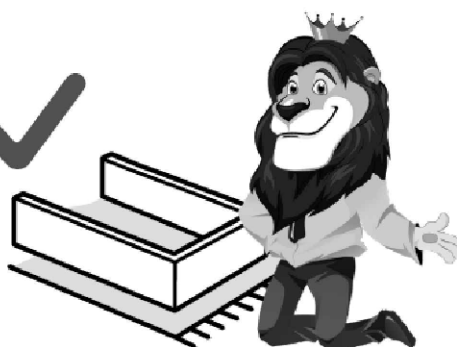
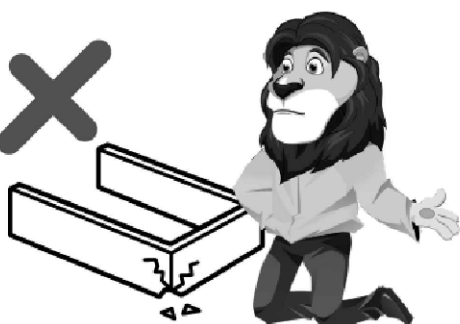
Soft Head Mallet



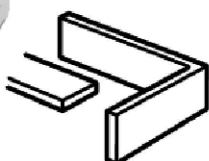
WARNING USING POWER TOOLS TO ASSEMBLE THIS BED IS STRONGLY UNADVISED AS IT MAY BE UNSAFE. THE USE OF THESE WILL INVALIDATE ANY CLAIM.



Some parts of this product may be heavy. Please use another person to assist you with lifting.

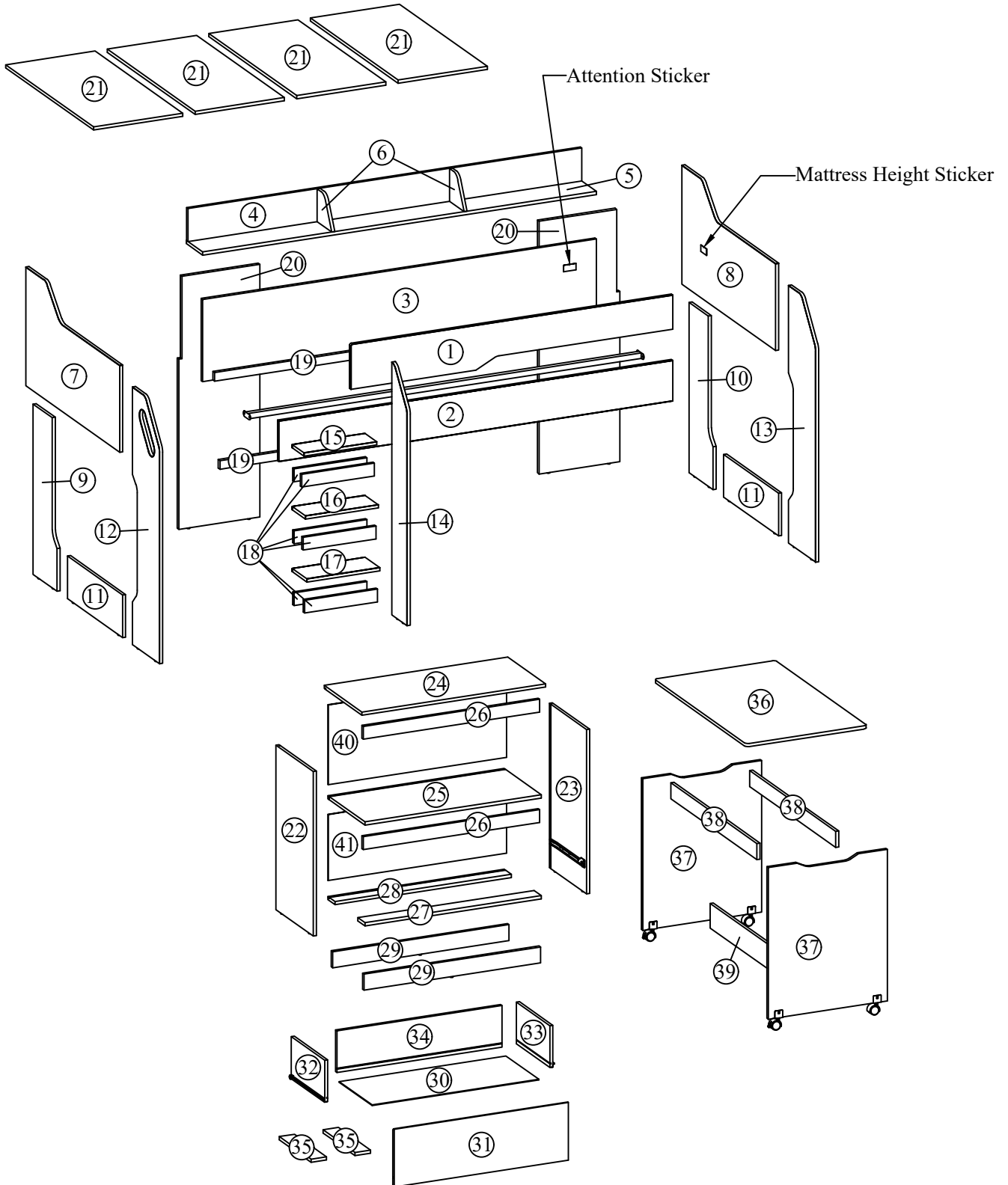
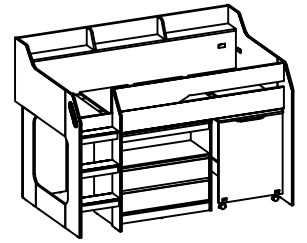
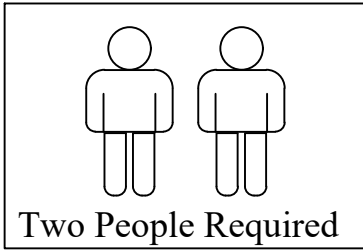


Dragging or pushing pieces of this bed across a hard floor can cause damage to the parts and joints. Please use a rug or carpet to prevent this.



If you have problems assembling or have damaged or missing pieces, please contact us at

orders@flairbeds.co.uk



PARTS LIST

Carton 1 of 5:

Part	Description	Qty
11	Support Panel	2
12	Ladder Left Panel	1
13	Right End Panel (Front)	1
14	Ladder Right Panel	1
20	Back Panel	2
Hardware		

Carton 2 of 5:

Part	Description	Qty
9	Left Panel	1
10	Right Panel	1
15	Ladder 3rd Step	1
16	Ladder 2nd Step	1
17	Ladder 1st Step	1
18	Ladder Step Support Panel	6
36	Table Top Panel	1
37	Table Side Panel	2
38	Table Top Support Panel	2
39	Table Bottom Support Panel	1

Carton 3 of 5:

Part	Description	Qty
22	Cabinet Left Panel	1
23	Cabinet Right Panel	1
24	Cabinet Top Panel	1
25	Cabinet Shelf Panel	1
26	Cabinet Front Panel	2
27	Cabinet Front Support Panel	1
28	Cabinet Back Support Panel	1
29	Cabinet Plinth Panel	2
30	Drawer Bottom Panel	1
31	Drawer Front Panel	1
32	Drawer Left Panel	1
33	Drawer Right Panel	1
34	Drawer Back Panel	1
35	Drawer Bottom Support Panel	2
40	Cabinet Back Panel (Upper)	1
41	Cabinet Back Panel (Lower)	1





















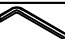






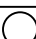
Carton 4 of 5:

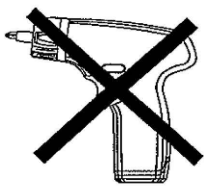
Part	Description	Qty
7	Left End Panel	1
8	Right End Panel	1
21	Base Panel	4

Carton 5 of 5:

Part	Description	Qty
1	Guardrail (Front Upper)	1
2	Guardrail (Front Lower)	1
3	Guardrail (Back)	1
4	Shelf Back Panel	1
5	Shelf Panel	1
6	Shelf Support Panel	2
19	Base Support Panel	2

HARDWARE LIST: Carton 1 of 5

Part	Description		Qty
A	M5 x 40mm UNITAR SCREW		53
B	STEEL NUT M6		29
C	JCN M6 x 12mm		18
D	JCBC SCREW M6 x 12mm		4
E	JCBC SCREW M6 x 25mm		10
F	JCBC SCREW M6 x 30mm		12
G	JCBC SCREW M6 x 50mm		13
H	CAM NUT 15mm		67
I	DOUBLE END BOLT 7 mm		3
J	CAM BOLT		45
K	WOOD DOWEL M6 x 25mm		72
L	WOOD DOWEL M8 x 50mm		18
M	BACKPLY STOPPER		9
N	PVC L-BRACKET		4
O	PVC NAIL 5/8"		24
P	U SHAPE CASTER STOPPER		2
Q	U SHAPE CASTER FREE		2
R	CSK SCREW M4 x 38 mm		22
S	CSK SCREW M3.5 x 16 mm		9
T	CSK SCREW M3.5 x 12 mm		28
U	M6 ALLEN KEY		2
V	METAL CENTER PIPE		1
W	STICKER 20mm - COOL GREY		2
X	CONTRACTFIX DOWEL 5971		16
Y	METAL RUNNER 14" SJ 1.1		1
Z	SPANNER		1
A1	M6 HEX NUT		4
A2	STICKER 20mm - SNOW WHITE		1



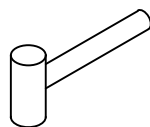
**** WARNING: THE USE OF POWER TOOLS TO ASSEMBLE THIS PRODUCT WILL INVALIDATE ANY CLAIM AND MAY DAMAGE THIS PRODUCT MAKING IT UNSAFE.**

**** You will need a screwdriver and a small mallet (NOT provided)**

Tools You Need:



Philips Head Screwdriver



Soft Head Mallet

D Montageanleitung

WICHTIG - AUFMERKSAM LESEN - ZUR SPATEREN EINSICHTNAHME AUFZUBEWAHREN

a) **WARNUNG** Hochbetten und das obere Bett bei Etagenbetten sind wegen des Verletzungsrisikos durch Stürze nicht für Kinder unter sechs Jahren geeignet.

b) **WARNUNG** Wenn sie nicht richtig verwendet werden, können Hochbetten und Etagenbetten ein schweres Verletzungsrisiko durch Strangulierung darstellen. Es dürfen niemals Elemente an Teilen des Hochbets befestigt oder aufgehängt werden, die nicht zur Verwendung mit besagtem Bett bestimmt sind. Diese Elemente umfassen, sind aber nicht beschränkt auf, Seile, Fäden, Schnüre, Haken, Gürtel und Taschen.

c) **WARNUNG** Kinder können sich zwischen dem Bett und einer Wand, einer gekippten Wandstelle, der Decke, Möbeln in der Nähe (zum Beispiel Schränke) oder anderem einklemmen. Um jedes Risiko einer schweren Verletzung zu vermeiden, darf der Abstand zwischen der oberen Sicherheitsschranke und den Elementen in der Umgebung 75 mm nicht überschreiten oder muss größer als 230 mm sein.

d) **WARNUNG** Das Hochbett oder das Etagenbett darf nicht verwendet werden, wenn ein Teil des Aufbaus fehlt oder beschädigt ist. Ersatzteile müssen beim Hersteller oder im Laden bestellt werden.

e) Die Montage- und Gebrauchsanweisungen des Herstellers müssen unbedingt immer befolgt werden.

f) Die empfohlene Größe der mit dem Bett zu verwendenden Matratze beträgt 1900 mm x 900 mm. **Höchstdicke der Matratze: 180 mm.**

g) Es ist notwendig, den Raum zu lüften, um einen geringen Feuchtigkeitsgrad aufrechterhalten und die Entwicklung von Schimmel im Bett und seiner Umgebung zu verhindern.

k) Die Montagevorrichtungen müssen immer angemessen festgezogen und regelmäßig überprüft werden. Wenn nötig, erneut festziehen.

l) Entspricht den europäischen Sicherheitsanforderungen der Norm EN 747-1:2012+A1: 2015.

m) Wenn ein Nachlicht vorhanden ist, kann dies dem im oberen Bett schlafenden Kind mehr Sicherheit geben.

FR Notice de montage

IMPORTANT - LIRE ATTENTIVEMENT - A CONSERVER POUR REFERENCE ULTERIEURE

a) **AVERTISSEMENT** Les lits surélevés et le lit supérieur des lits superposés ne conviennent pas pour les enfants de moins de six ans en raison du risque de blessures liées à des chutes,

b) **AVERTISSEMENT** S'ils ne sont pas utilisés correctement, les lits superposés et les lits surélevés peuvent présenter un sérieux risque de blessure par étranglement. Ne jamais attacher ou suspendre des éléments à des parties du lit superposé qui ne sont pas destinés à être utilisés avec ledit lit. Ces éléments comprennent, sans toutefois s'y limiter, les cordes, les ficelles, les cordons, les crochets, les ceintures et les sacs,

c) **AVERTISSEMENT** Les enfants peuvent se retrouver coincés entre le lit et un mur, une partie d'un toit incliné, le plafond, des meubles adjacents (par exemple, des placards) ou autre. Pour éviter tout risque de blessure grave, la distance entre la barrière de sécurité supérieure et les éléments environnants ne doit pas dépasser 75 mm ou doit être supérieure à 230 mm,

d) **AVERTISSEMENT** Ne pas utiliser le lit superposé ou le lit surélevé si une pièce de la structure est manquante ou cassée. Les pièces de rechange doivent être demandés auprès du fabricant ou du magasin.

e) Il est impératif de toujours suivre les instructions de montage et d'utilisation du fabricant,

f) La taille recommandée du matelas à utiliser avec le lit est de 1900mm x 900mm, **Epaisseur du matelas maximum : 180mm,**

g) Il est nécessaire de ventiler la pièce afin de maintenir un niveau peu élevé d'humidité et d'empêcher le développement de moisissure dans le lit et sa périphérie,

k) Les dispositifs d'assemblage doivent toujours être convenablement serrés et régulièrement vérifiés. Les resserrer si nécessaire.

l) Conforme aux exigences européennes de sécurité de la norme EN 747-1:2012+A1 : 2015.

m) la présence d'une veilleuse de nuit peut procurer plus de sécurité à l'enfant couchant dans le lit haut

EN Assembling instructions

IMPORTANT - READ CAREFULLY - KEEP FOR FUTURE REFERENCE

a) **WARNING** Raised beds and the upper bed in a bunk bed assembly are not good for children under 6 years old because of the risk of injury from falling from such beds,

b) **WARNING** If the raised and bunk beds are not used correctly, they can present a serious risk of injury from strangulation. Never attach or suspend things from the upper bunk bed that are not going to be used with that bed. Such things include - but are not limited to - cords, string, sashes, hooks, belts and bags.

c) **WARNING** Children can find themselves trapped between the bed and wall, or inclined roof wall, ceiling, adjacent pieces of furniture (such as cupboards) or other items. To avoid any risk of serious injury, the distance between the upper safety barrier and surrounding items should not exceed 75 mm - or the distance should be greater than 230 mm.

d) **WARNING** Do not use the upper bunk bed or a raised bed if a part of the structure is missing or broken. Spare parts should be requested from the manufacturer or shop.

e) It is essential that the manufacturer's instructions on assembly and use are followed.

f) The recommended size of the mattress to be used with the bed is 1900 mm x 900, Maximum mattress thickness: 180mm,

g) Mattresses must be aired to maintain a low humidity and to stop moisture building up in the bed and its surroundings.

k) The fastenings put in place on assembly should all be properly tightened and regularly checked. Retighten the fastenings as necessary.

l) This complies with the requirements of the European Safety Standard EN 747-1:2012+A1: 2015.

m) The presence of a night light could give more safety for a child sleeping in an upper bed.

IT Istruzioni per montaggio

IMPORTANTE - LER ATENTAMENTE - A GUARDAR PARA REFERENCIA FUTURA

a) **AVVERTENZE** I letti a soppalco ed il letto superiore dei letti a castello non sono adatti ai bambini di età inferiore ai sei anni per i rischi di lesioni dovute a cadute,

b) **AVVERTENZE** Se non utilizzati correttamente, i letti a castello ed i letti a soppalco possono rappresentare un importante rischio di lesioni da strangolamento. Non legare o sospendere mai elementi a delle parti del letto a castello che non siano previsti per essere utilizzati con il suddetto letto. Questi elementi comprendono, senza tuttavia esserne limitati, le corde, gli spaghi, i cordoncini, i ganci, le cinghie ed i sacchi,

c) **AVVERTENZE** I bambini possono ritrovarsi bloccati tra il letto ed un muro, la parte di un tetto inclinato, il soffitto, i mobili adiacenti (per esempio gli armadi) o altro. Per evitare qualsiasi rischio di lesione grave, la distanza tra la sponda di sicurezza superiore e gli elementi circostanti non deve superare 75 mm o deve essere superiore a 230 mm,

d) **AVVERTENZE** Non utilizzare il letto a castello o il letto a soppalco se un pezzo della struttura manca o se è rotto. I pezzi di ricambio devono essere richiesti al fabbricante o al negozio.

e) Seguire rigorosamente le istruzioni di montaggio e d'uso del fabbricante,

f) La misura consigliata del materasso da usare con il letto è di 1900mm x 900mm, **Spessore massimo del materasso: 180mm,**

g) Per mantenere un livello poco elevato di umidità, e per impedire lo sviluppo di muffa nel letto e intorno al letto, ventilare la stanza,

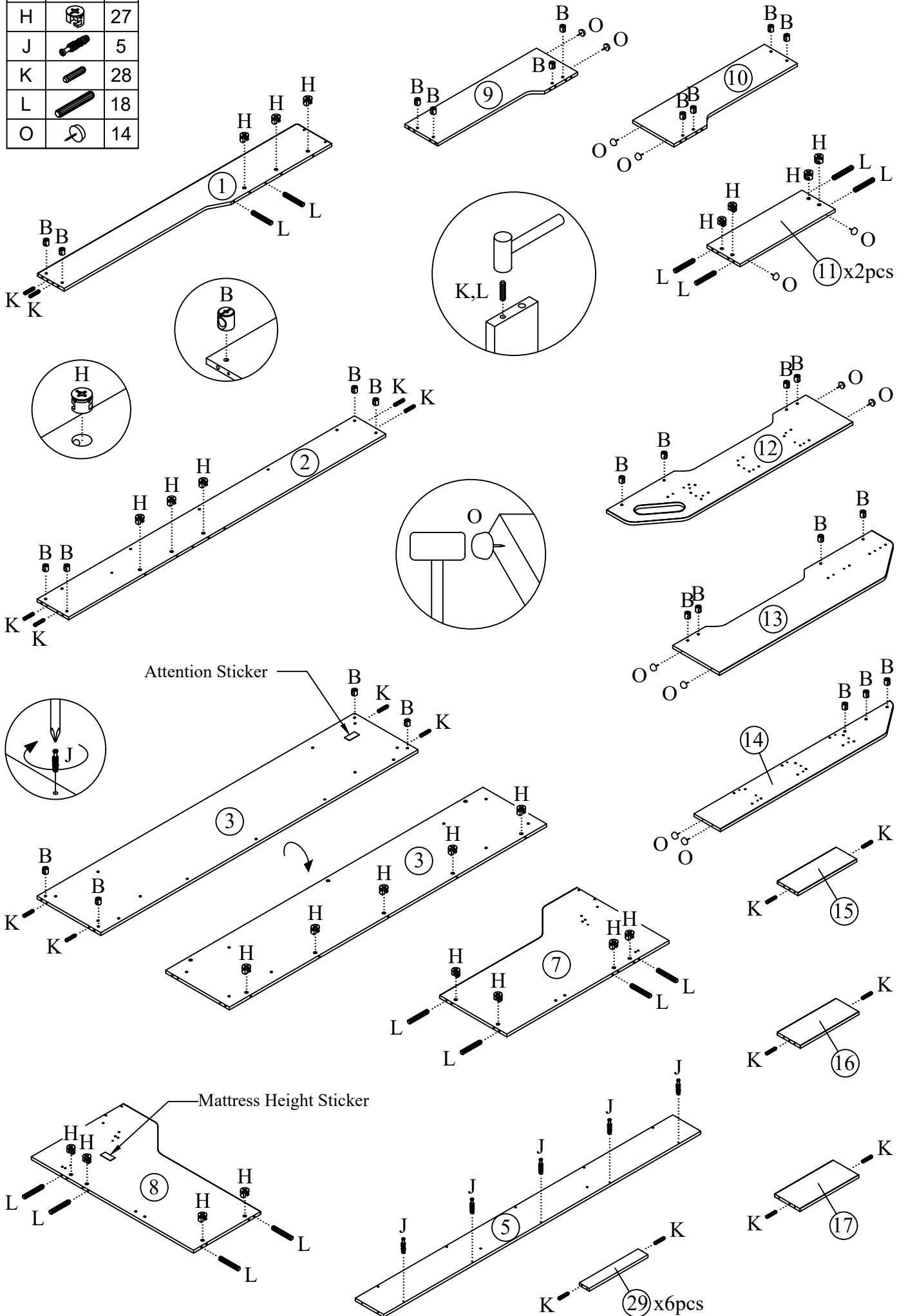
k) I dispositivi d'assemblaggio devono sempre essere adeguatamente stretti e regolarmente verificati. Ristringergli se necessario.

l) Conforme alle esigenze europee di sicurezza della norma EN 747-1:2012+A1: 2015.






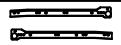
m) la presenza di una luce notturna può dare più sicurezza al bambino che dorme nel letto superiore

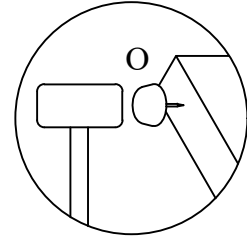
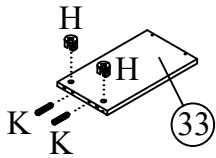
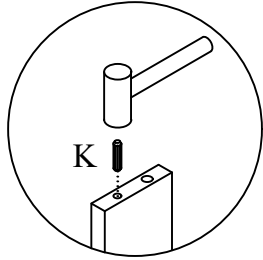
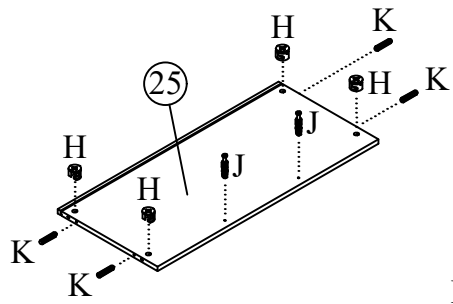
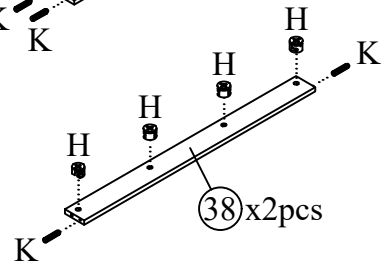
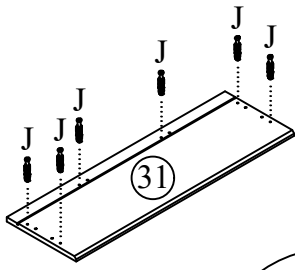
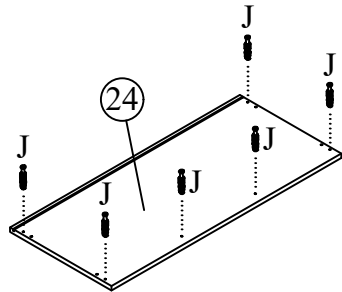
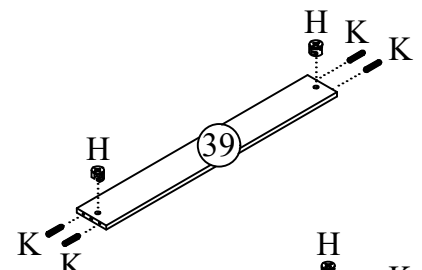
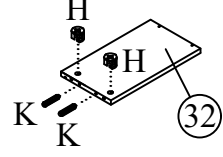
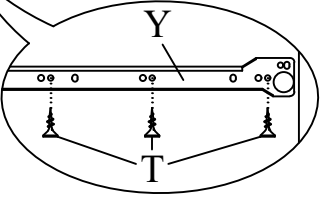
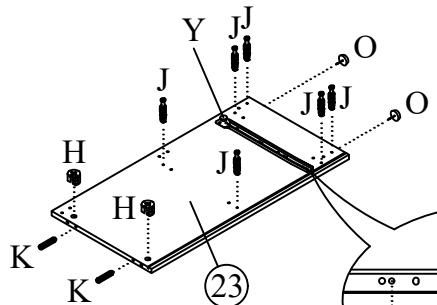
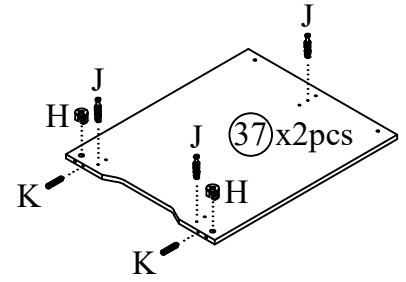
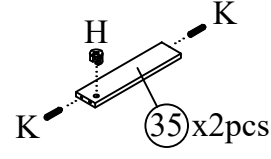
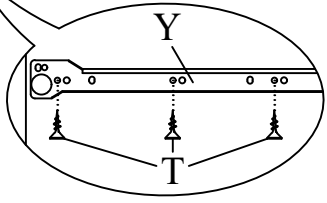
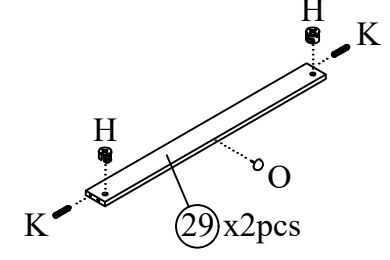
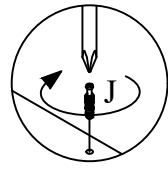
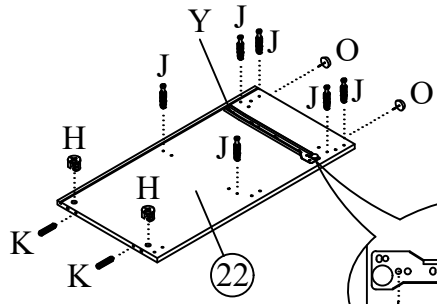
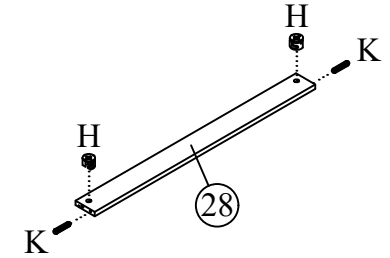
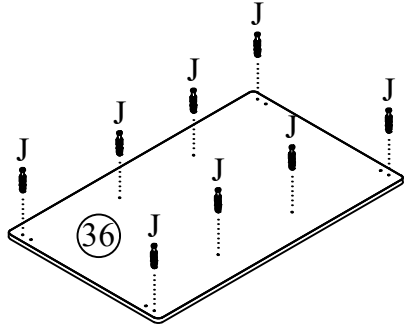
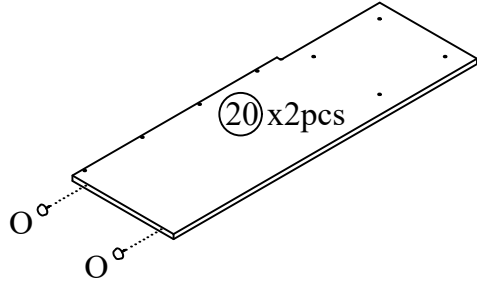
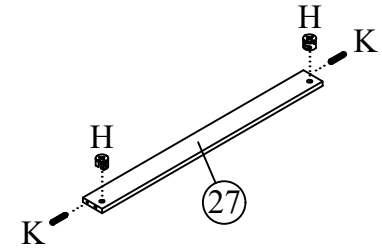
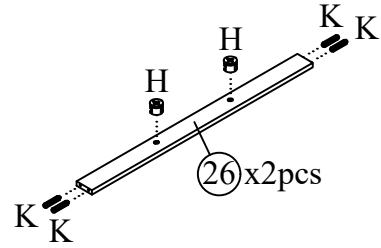
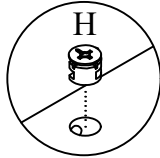
1

B		29
H		27
J		5
K		28
L		18
O		14



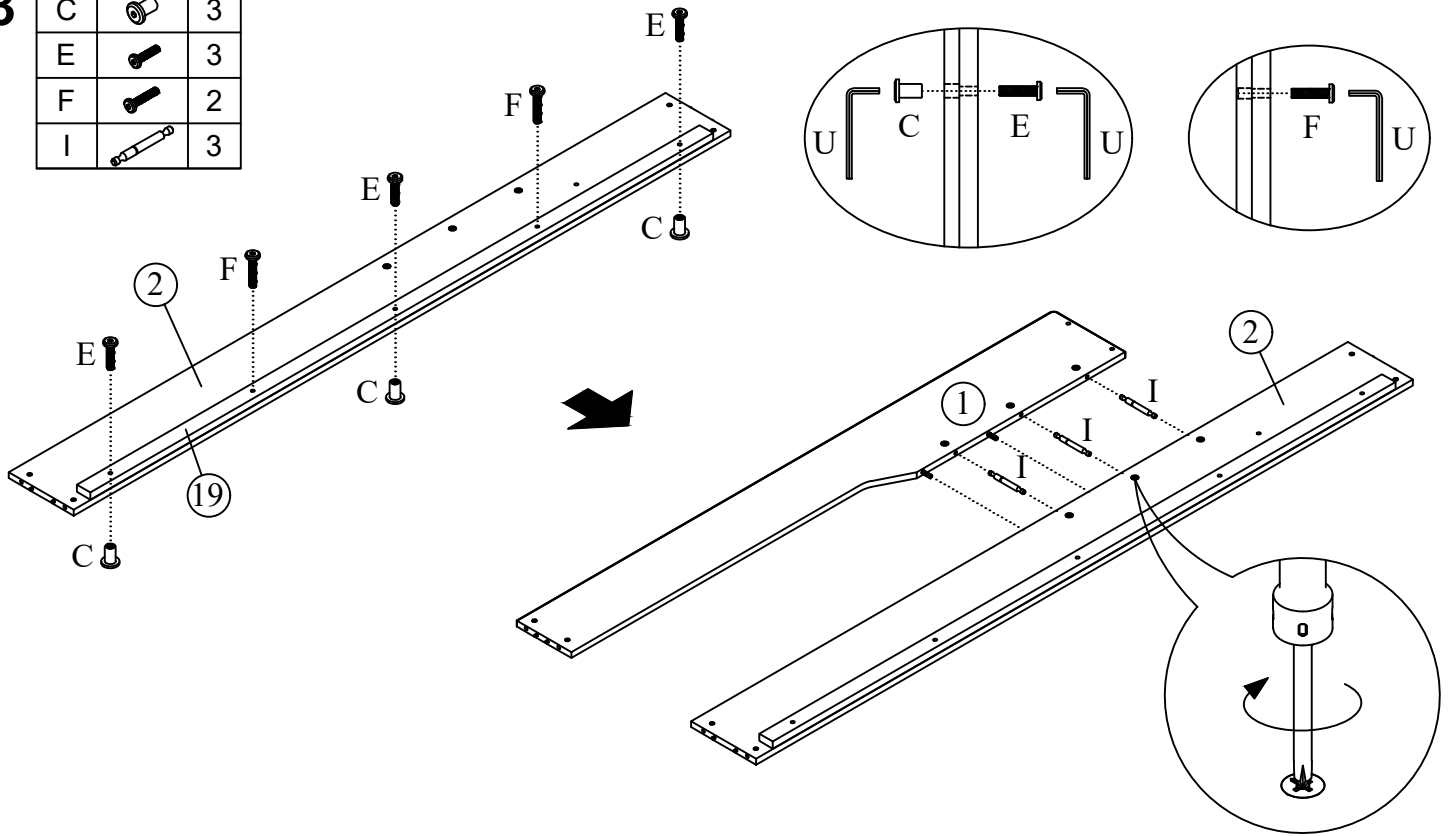
2

H		40
J		40
K		44
O		10
T		6
Y		1



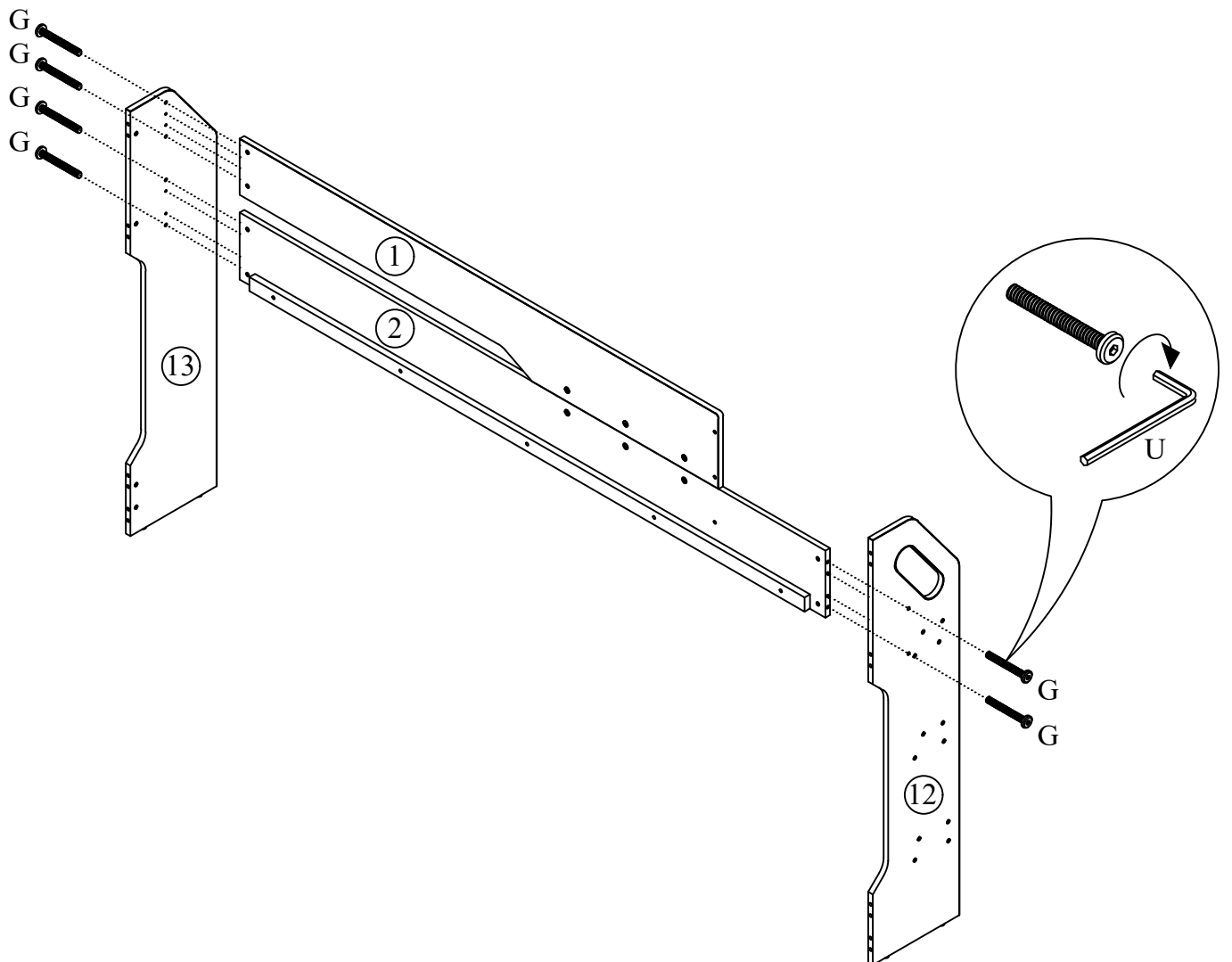
3


C		3
E		3
F		2
I		3

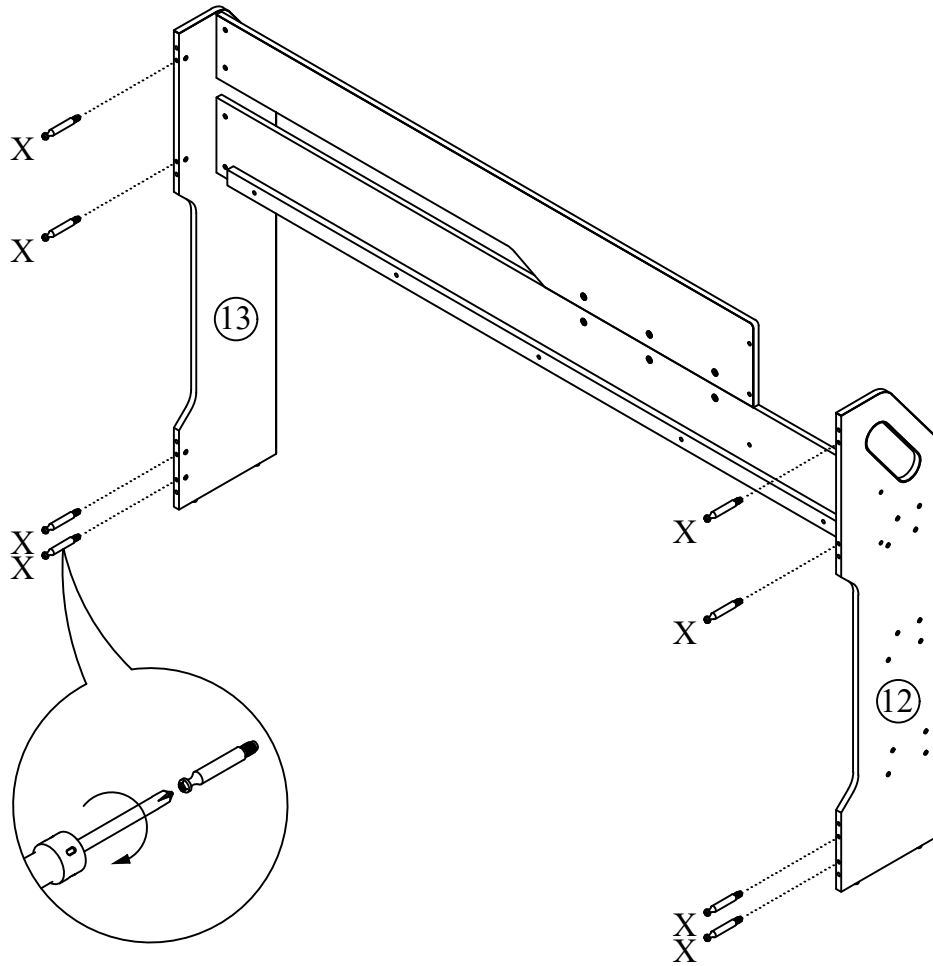



4

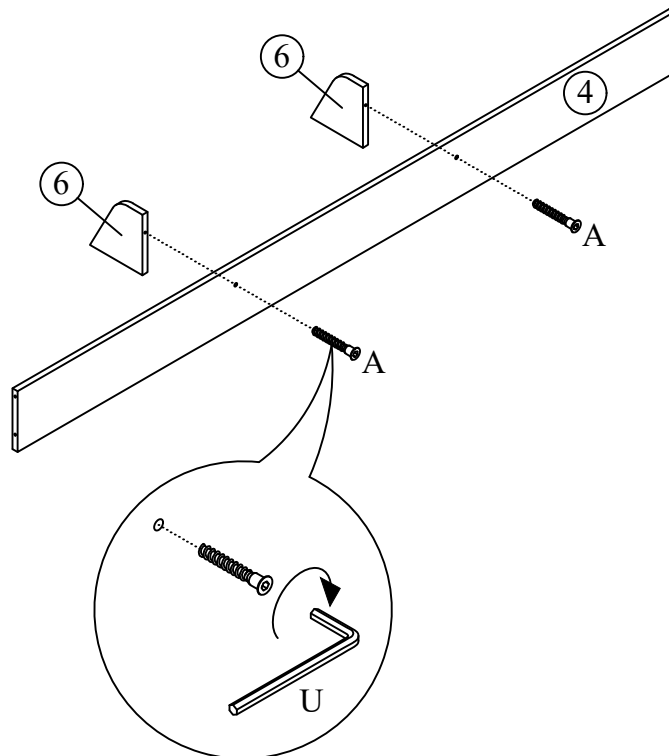
G		6
---	--	---

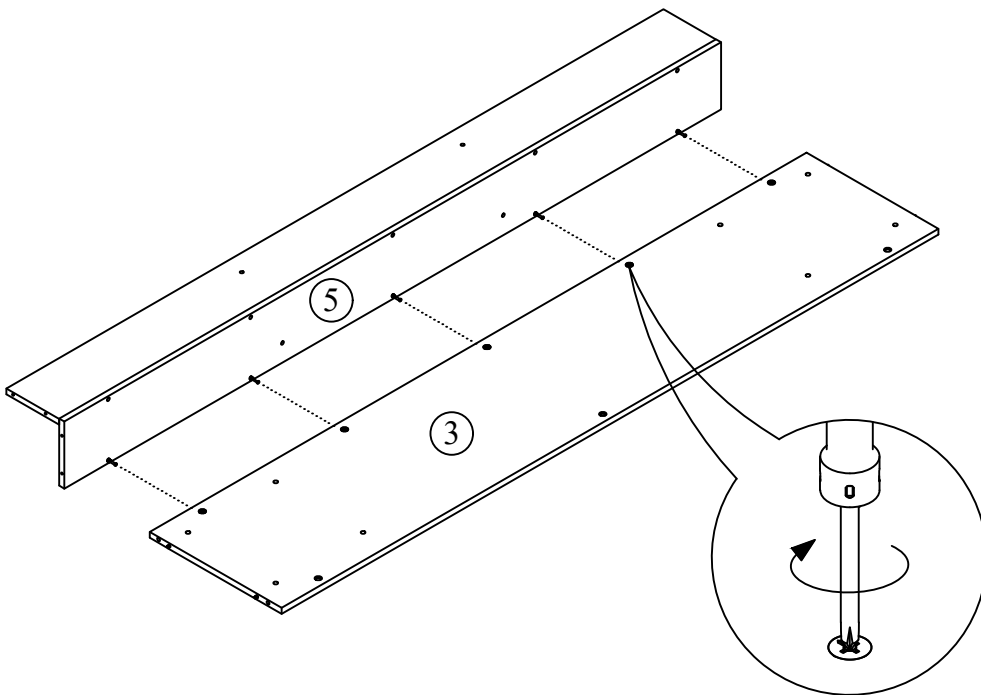
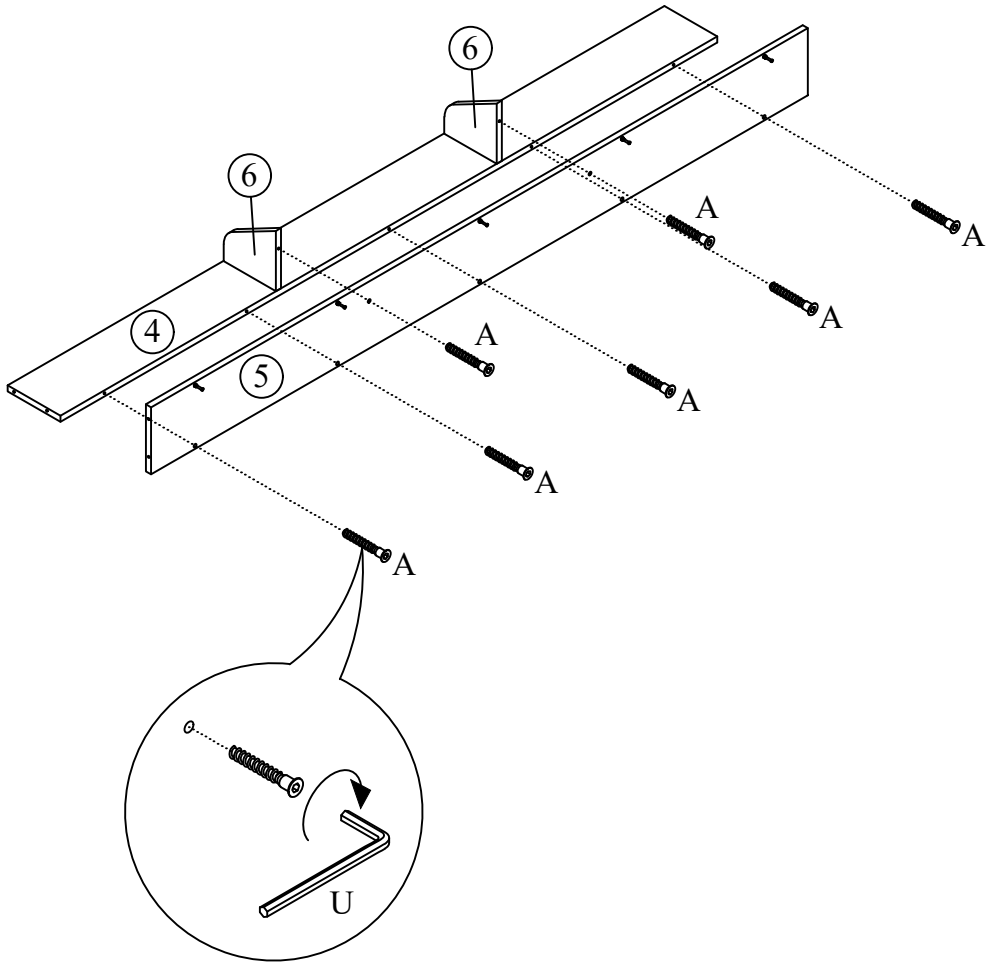


5 X  8

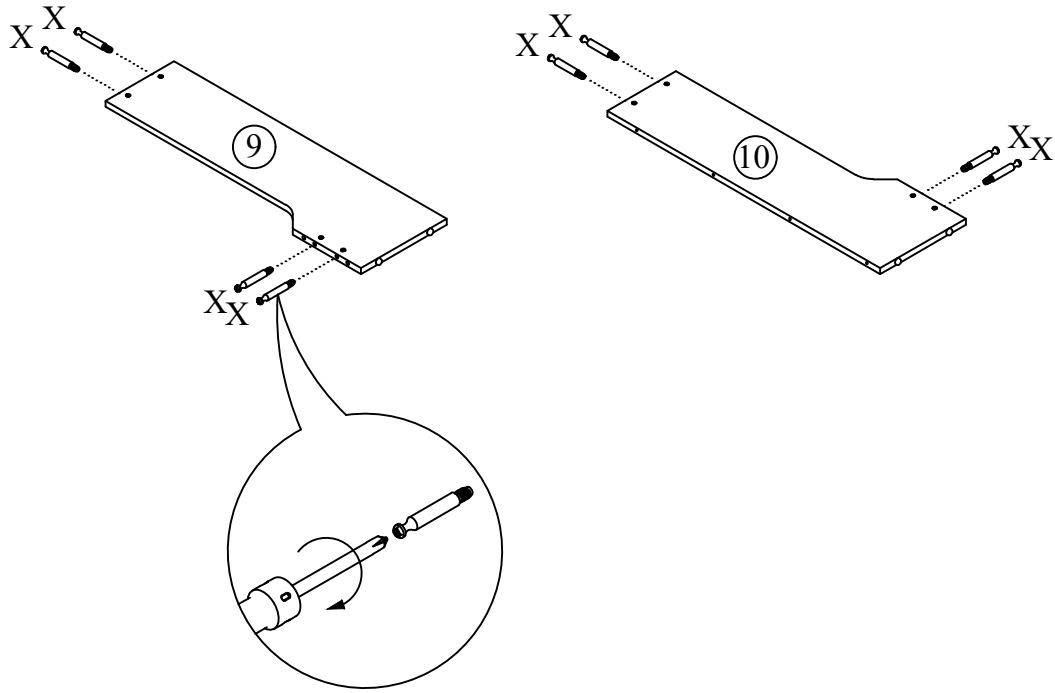


6 A  2

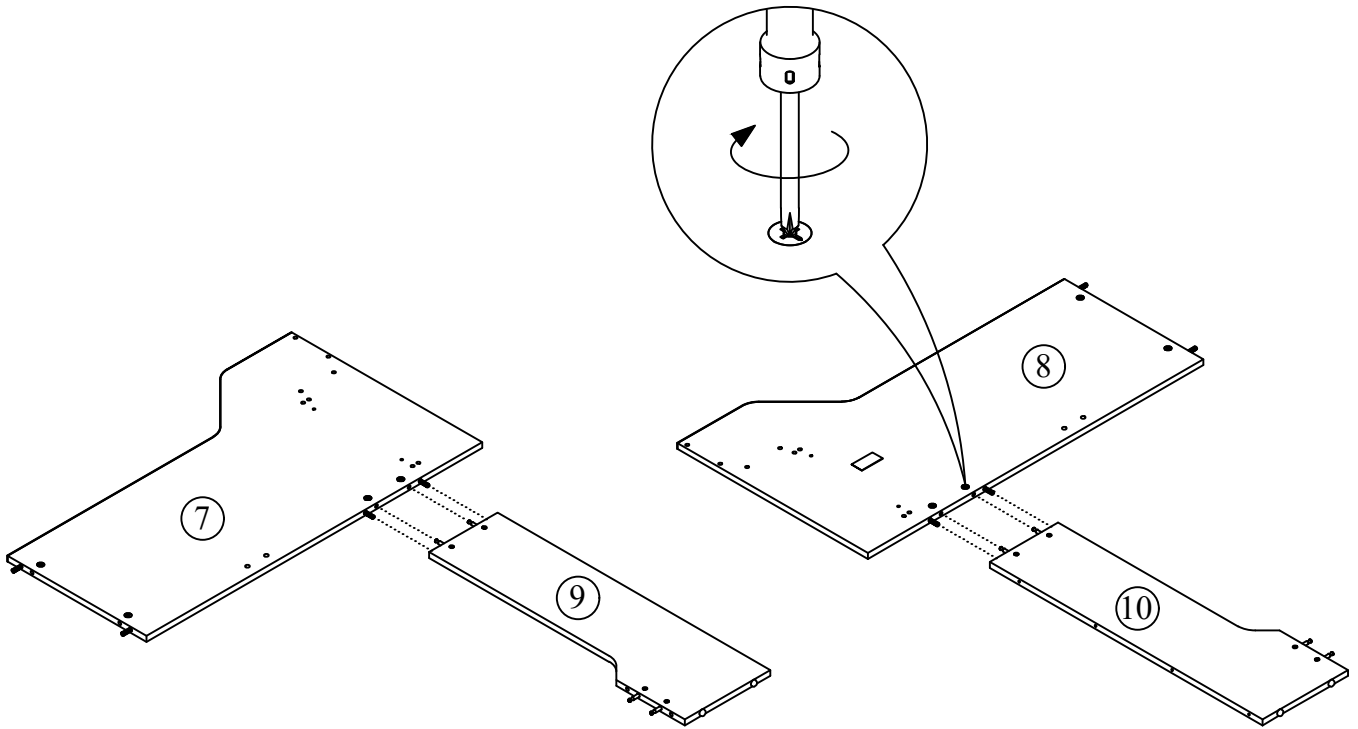




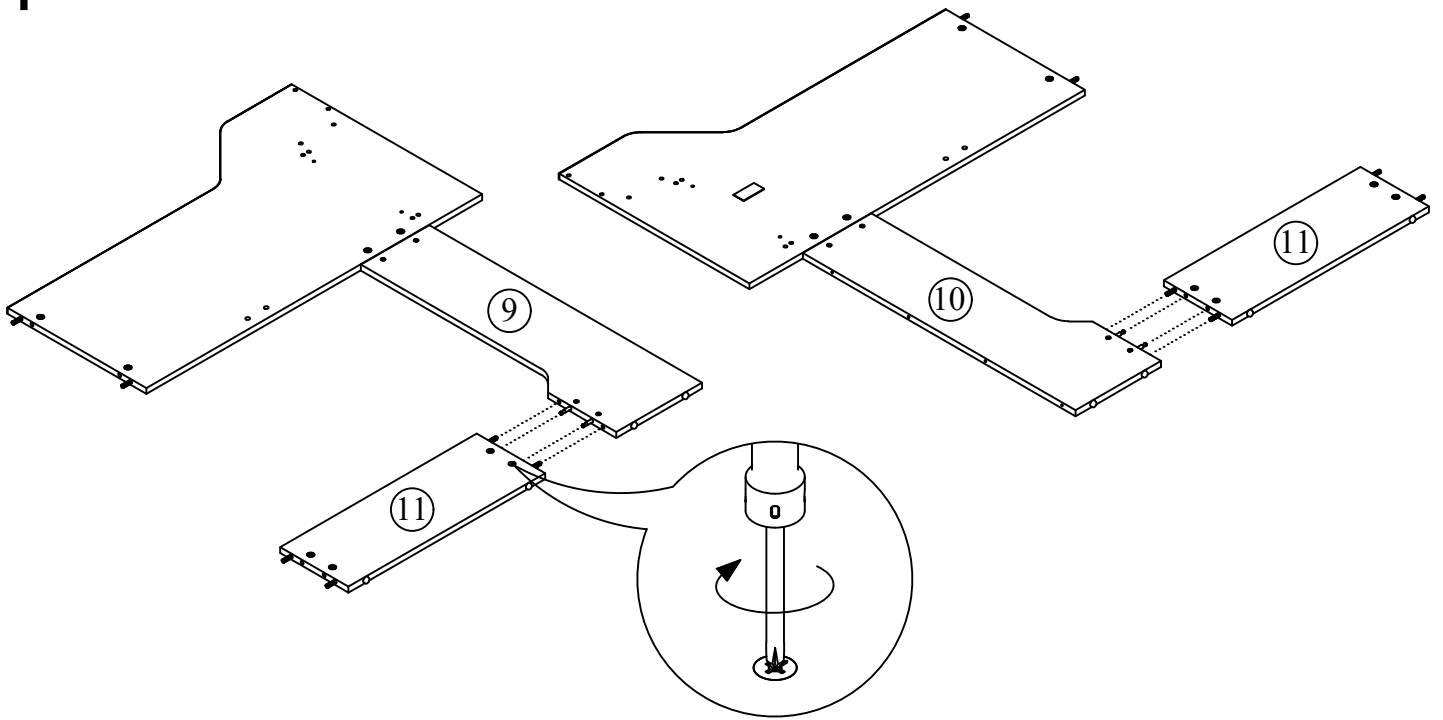
9





10

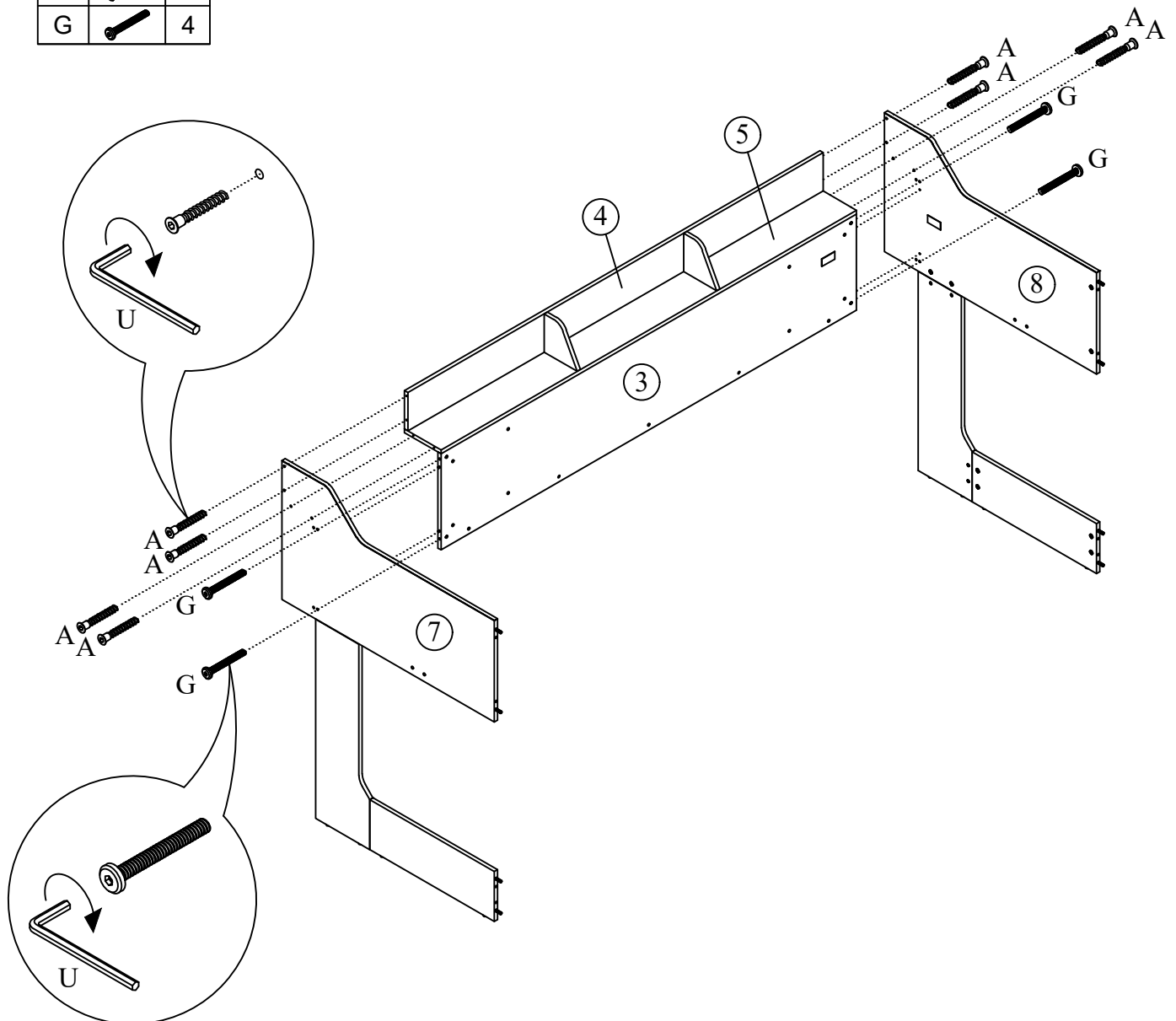


11






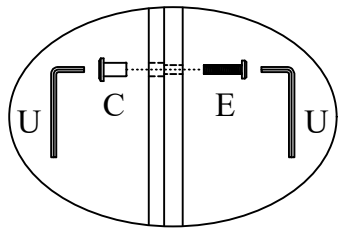
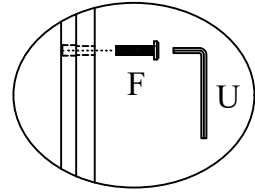
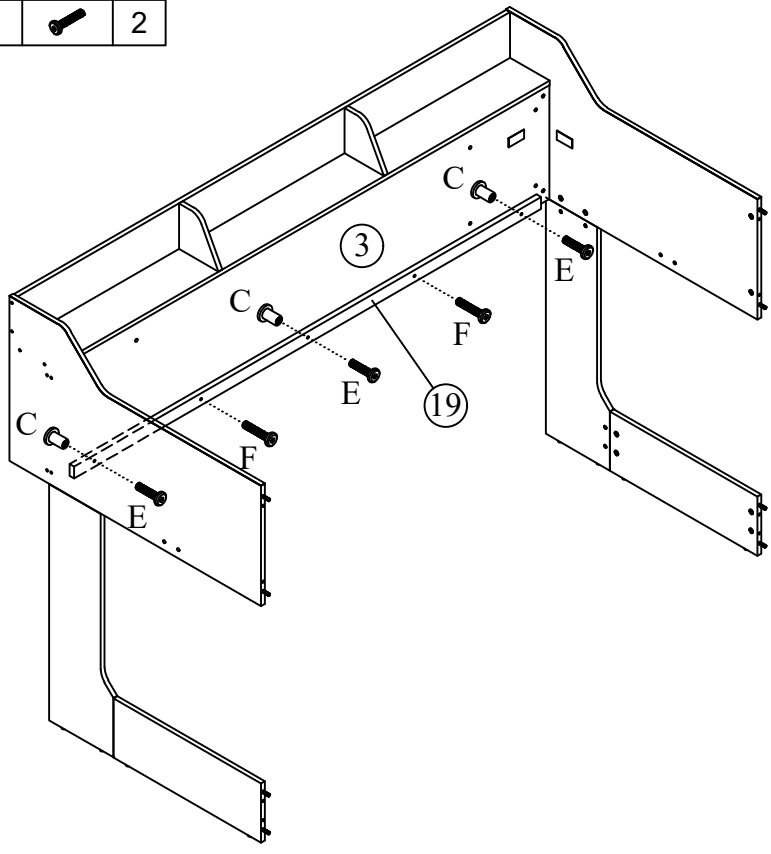
12

A		8
G		4





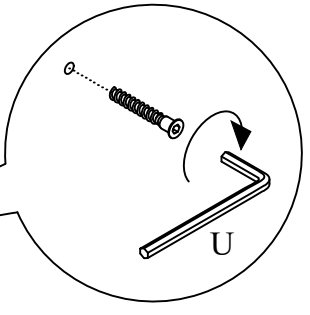
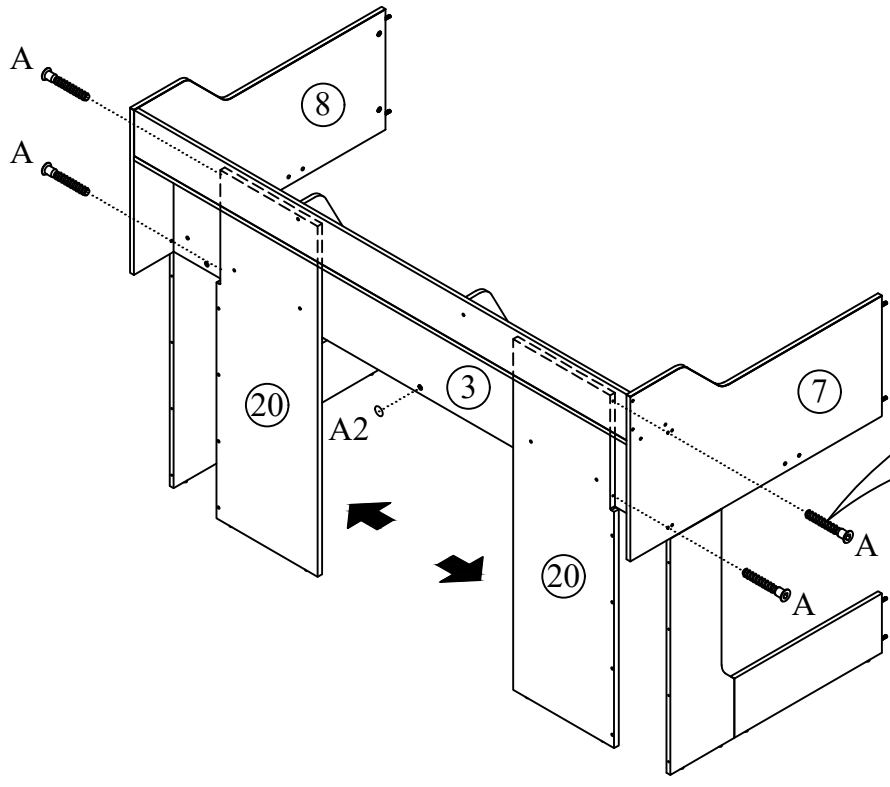
13

C		3
E		3
F		2




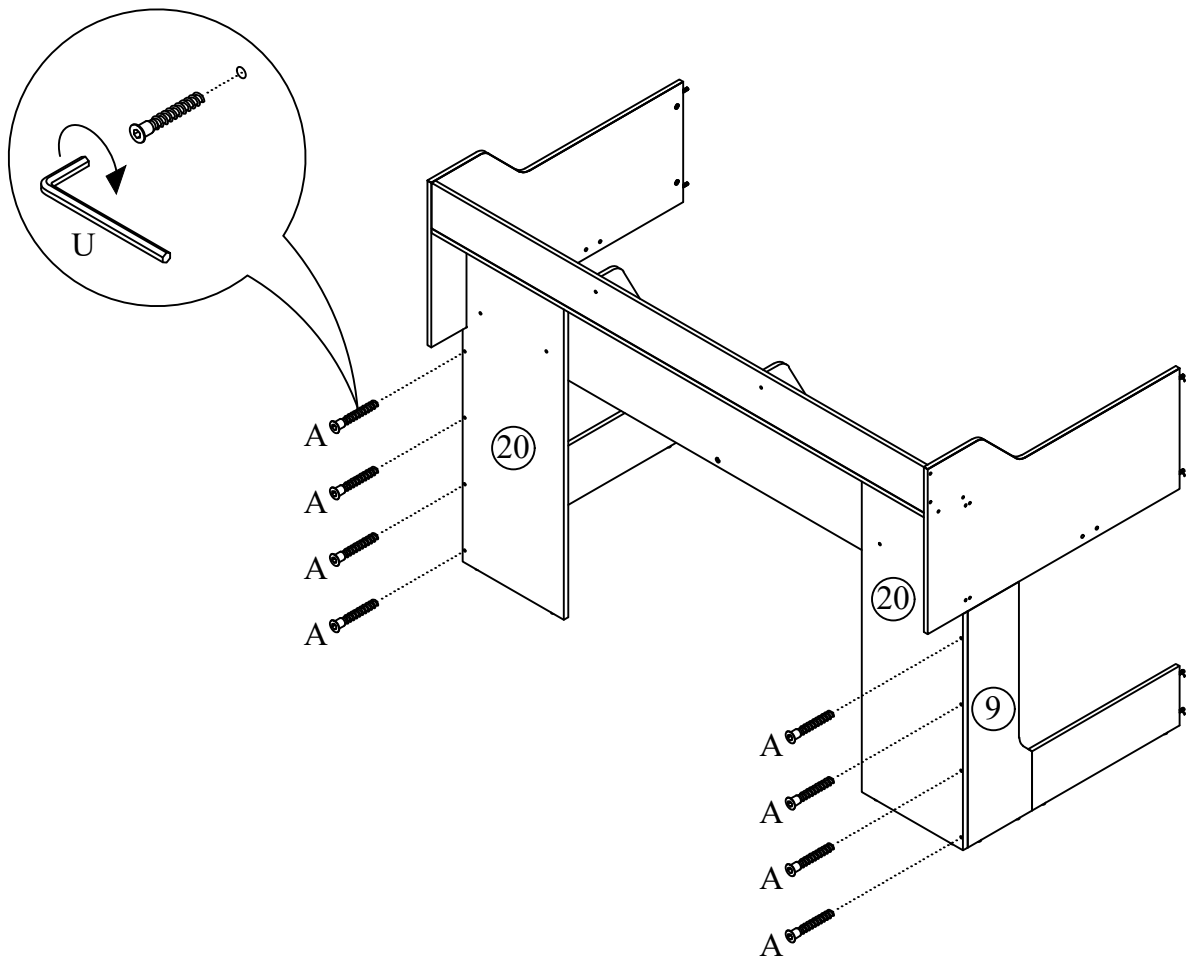
14

A		4
A2		1





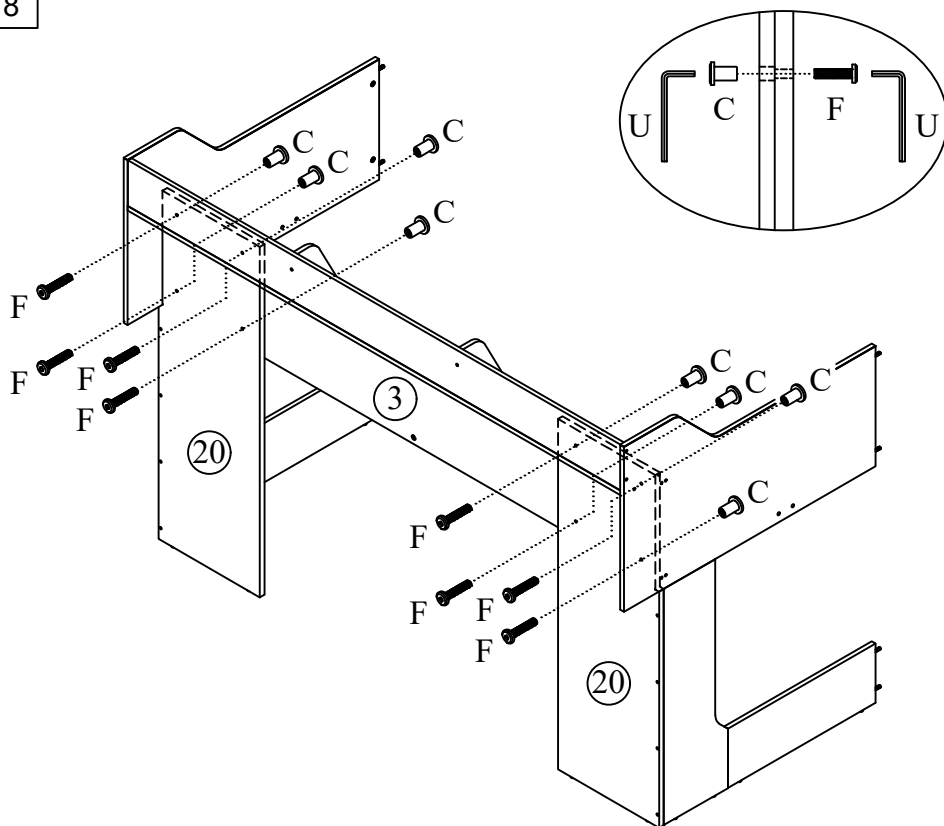
15

A		8
---	---------------------------------------------------------------------------------	---

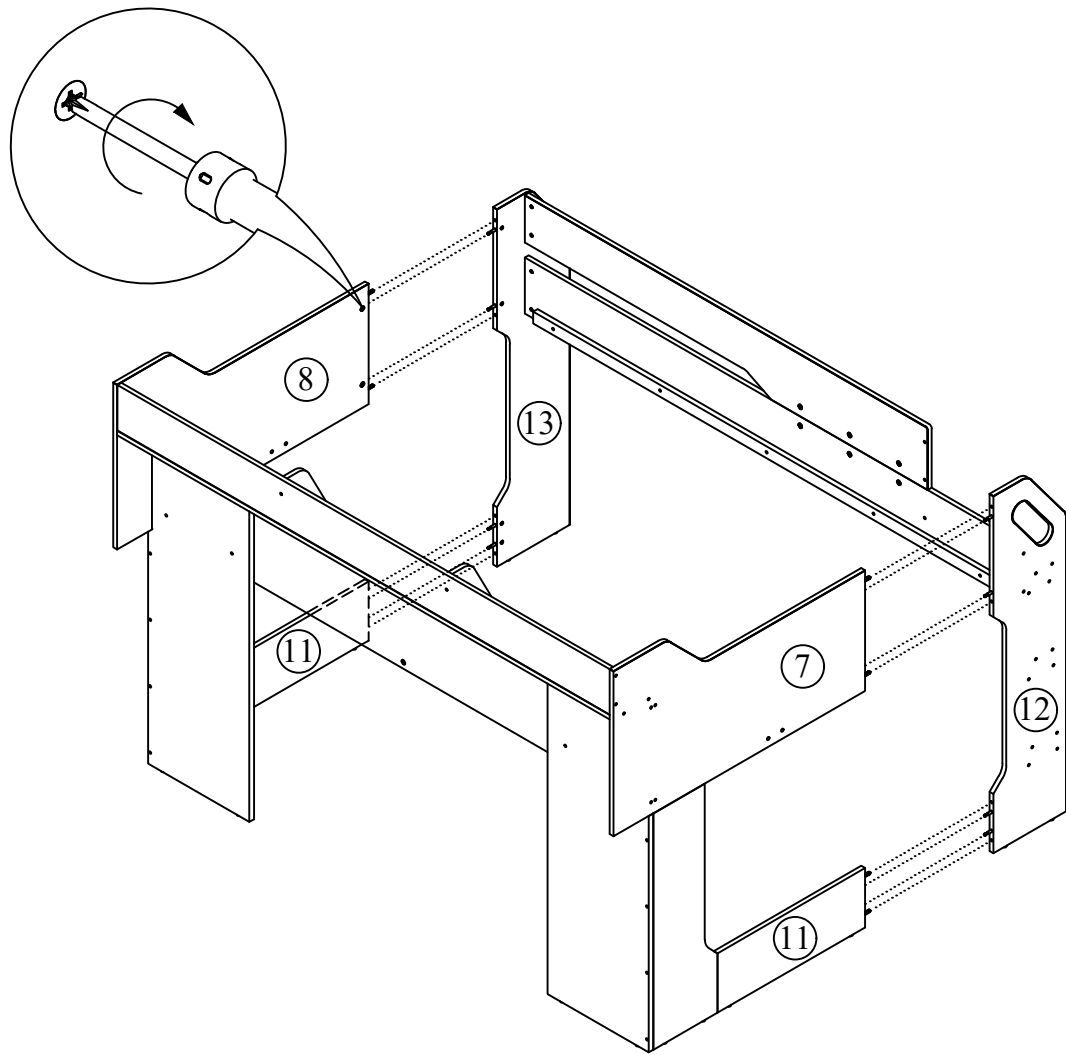


16

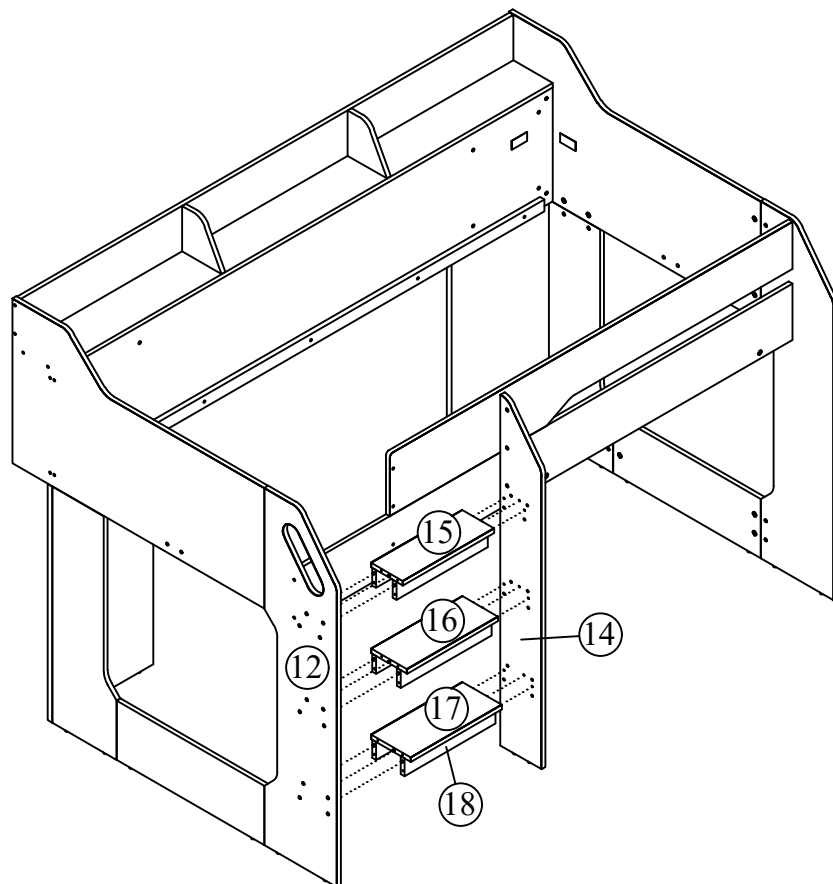
C		8
F		8



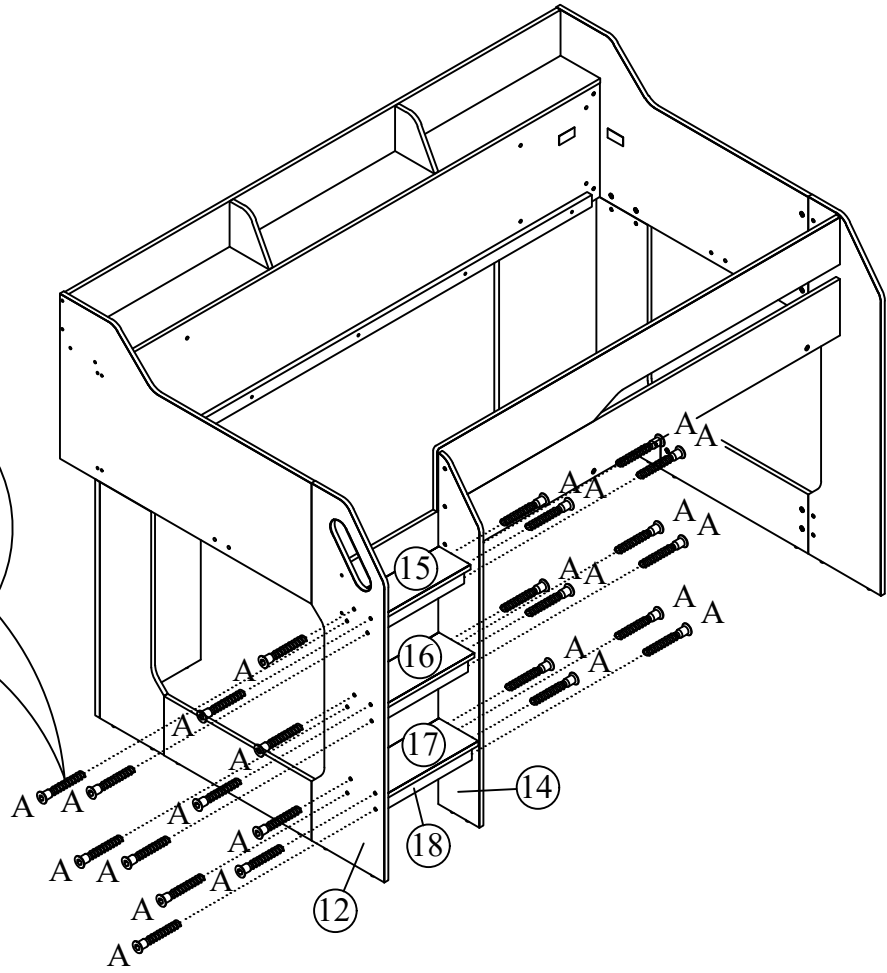
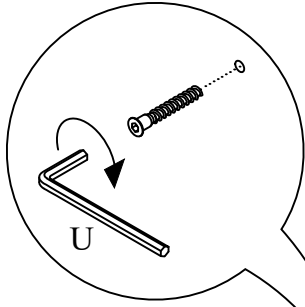
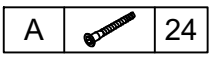
17



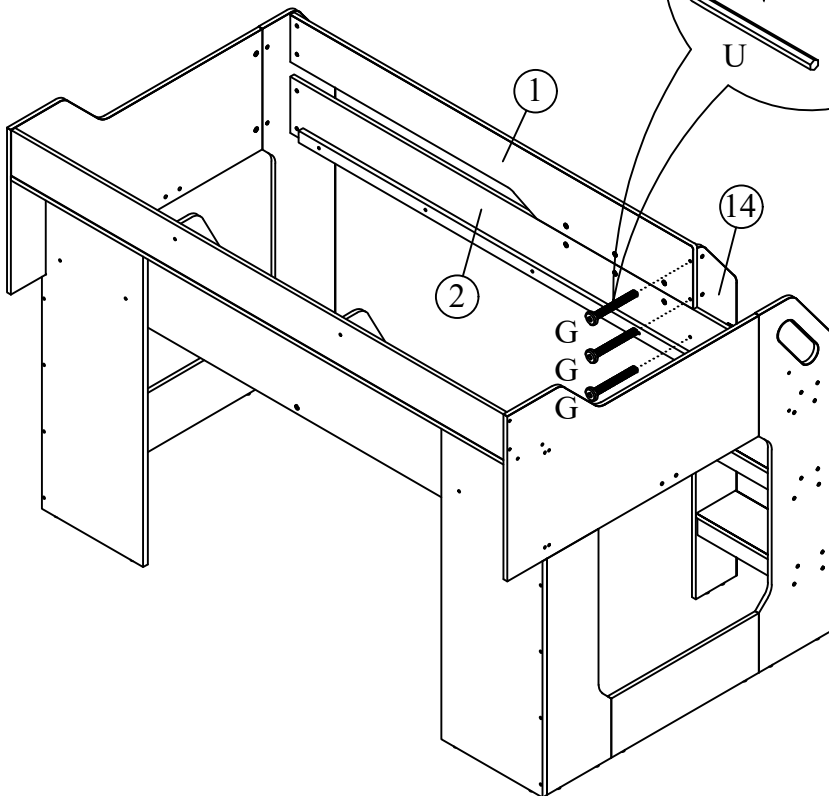
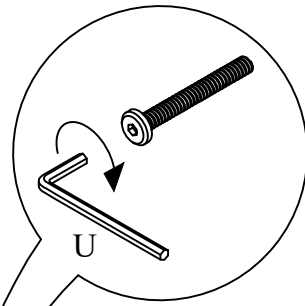
18







19

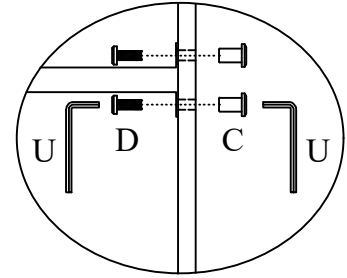
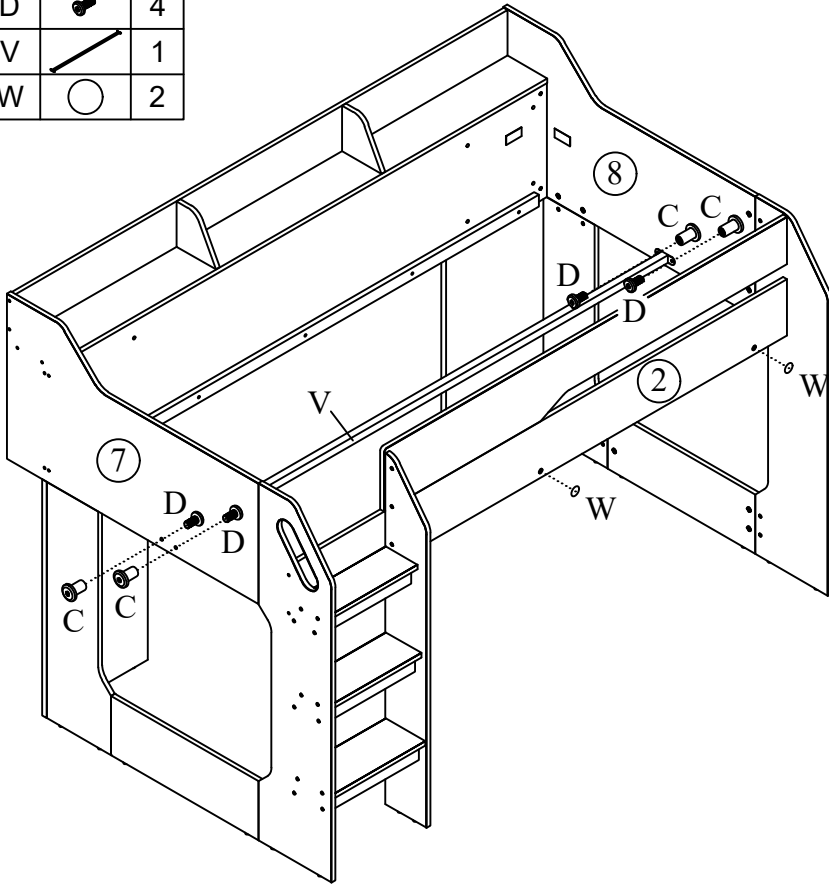


20



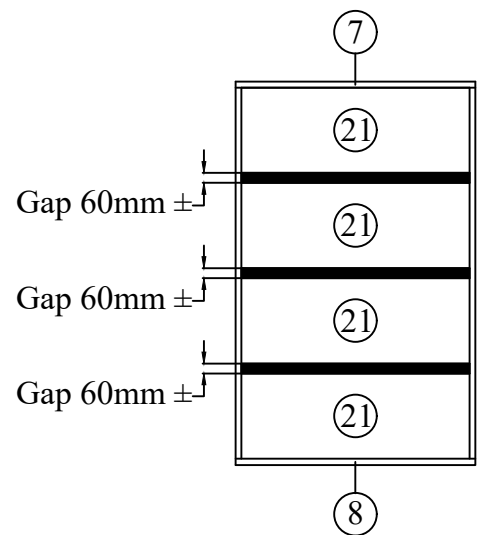
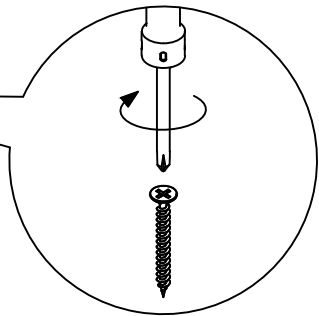
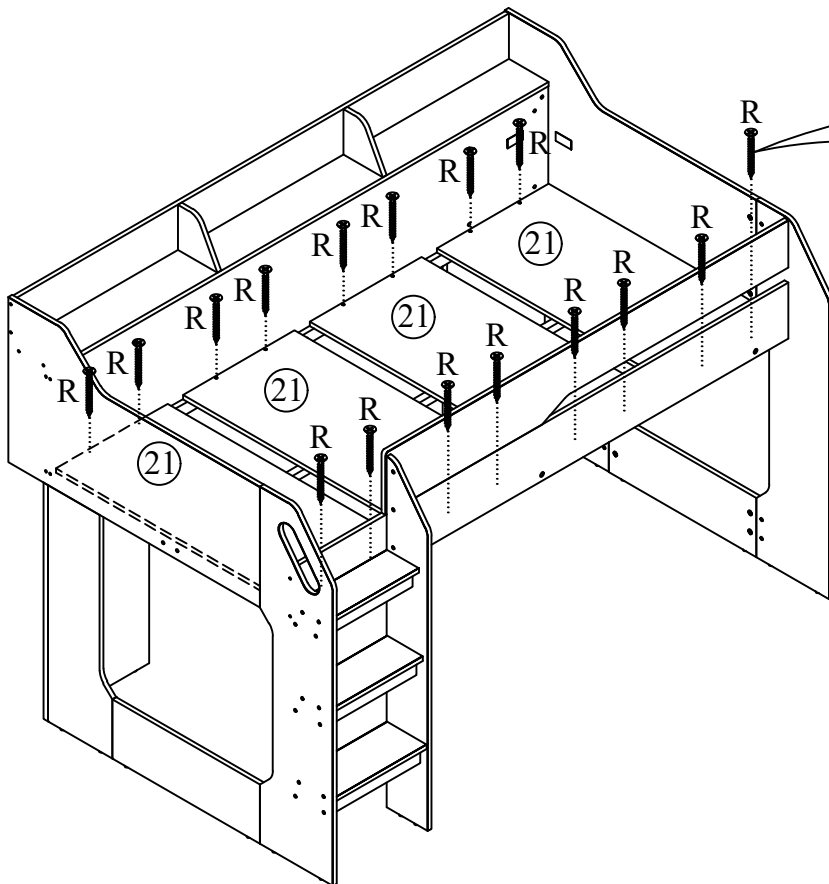
21

C		4
D		4
V		1
W		2

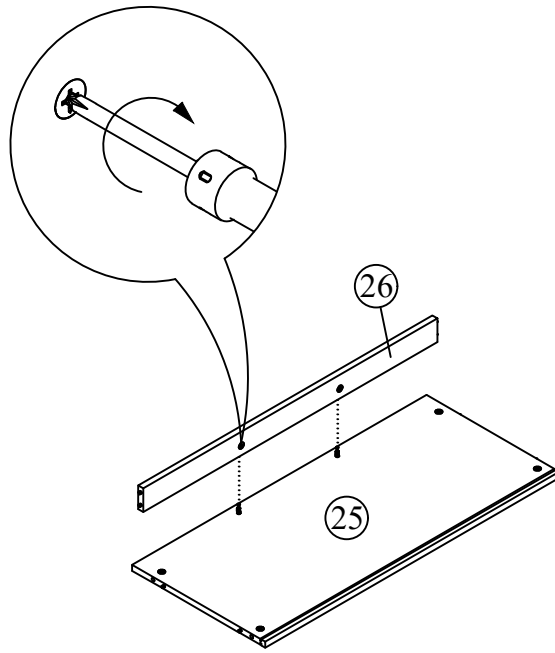


22

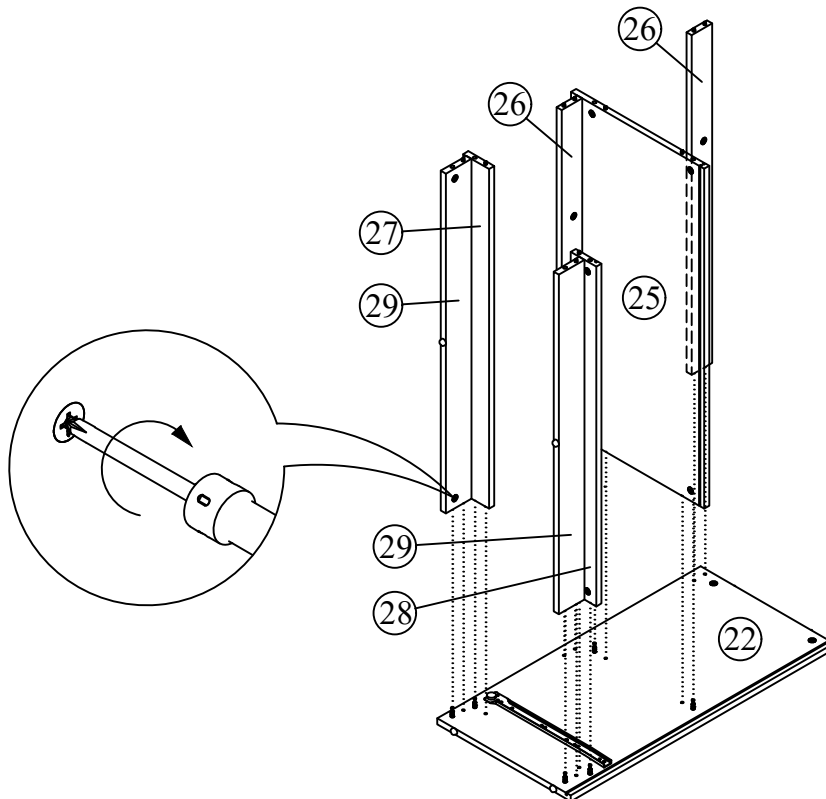
R		16
---	-------------------------------------------------------------------------------------	----

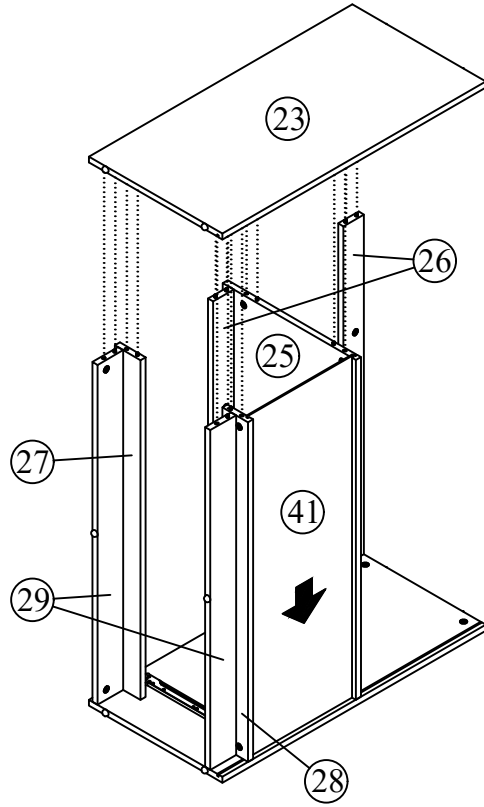


23



24

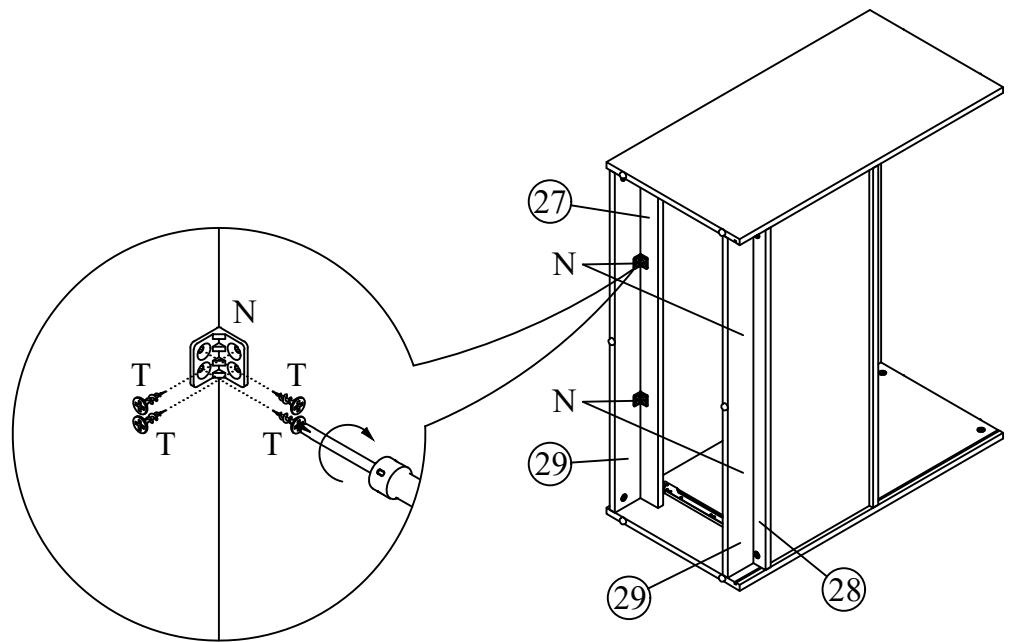
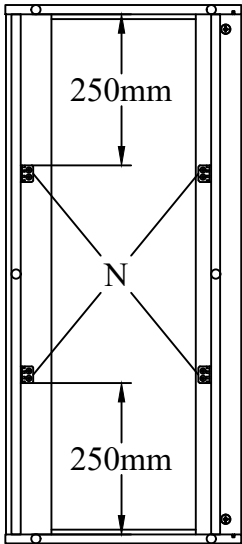




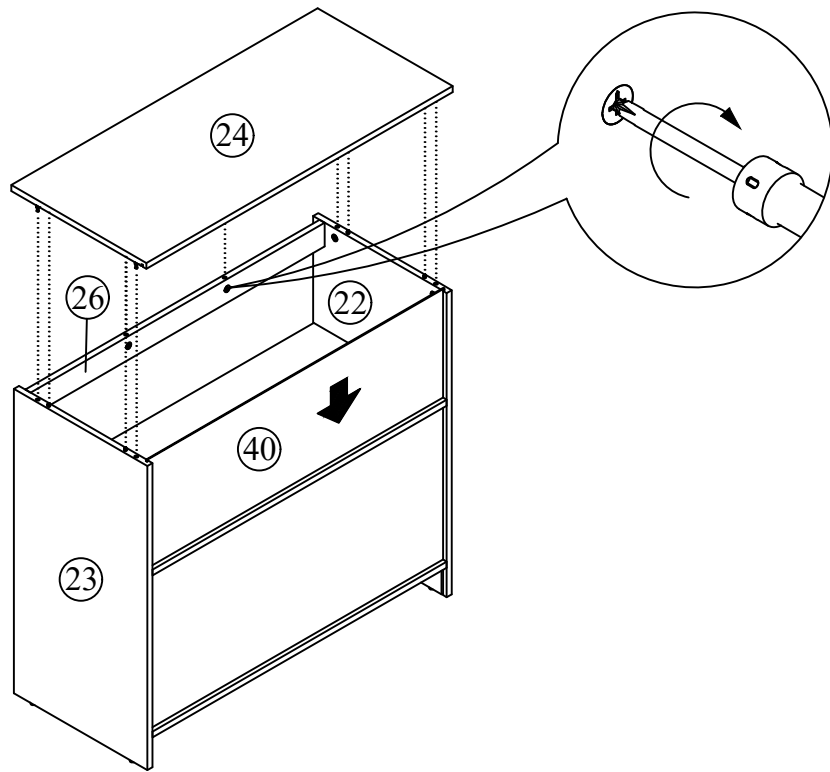
26

N		4
T		16



BOTTOM VIEW

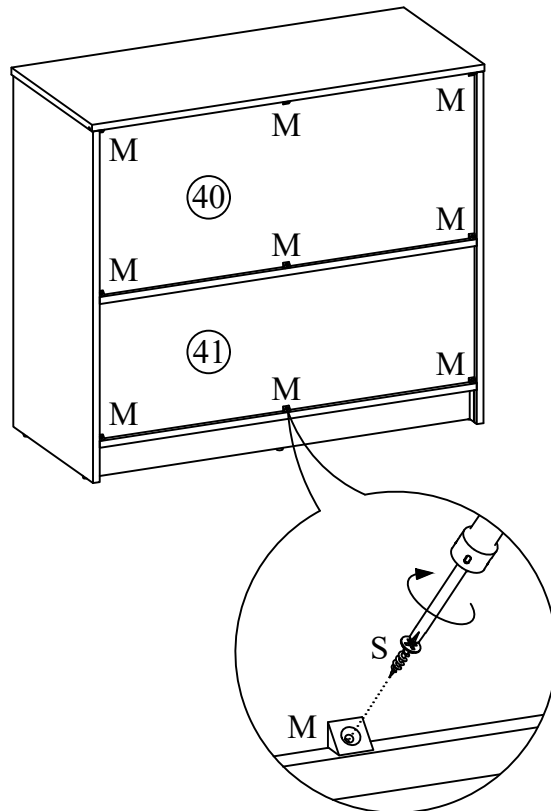


27

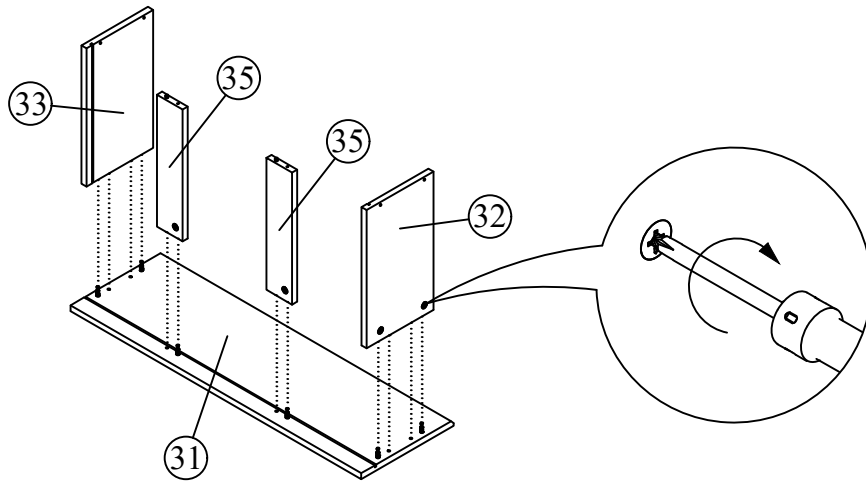


28

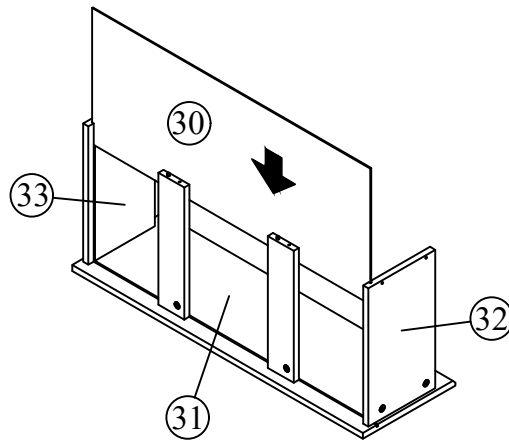
M		9
S		9




29

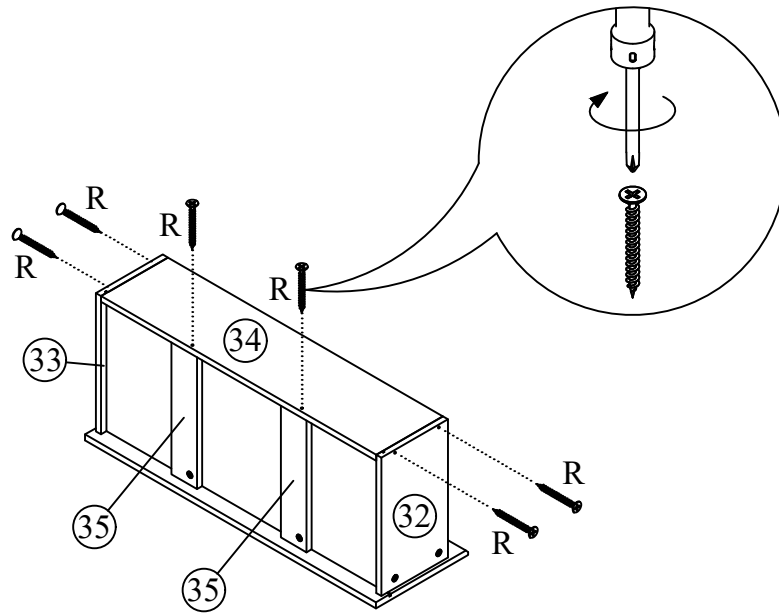


30





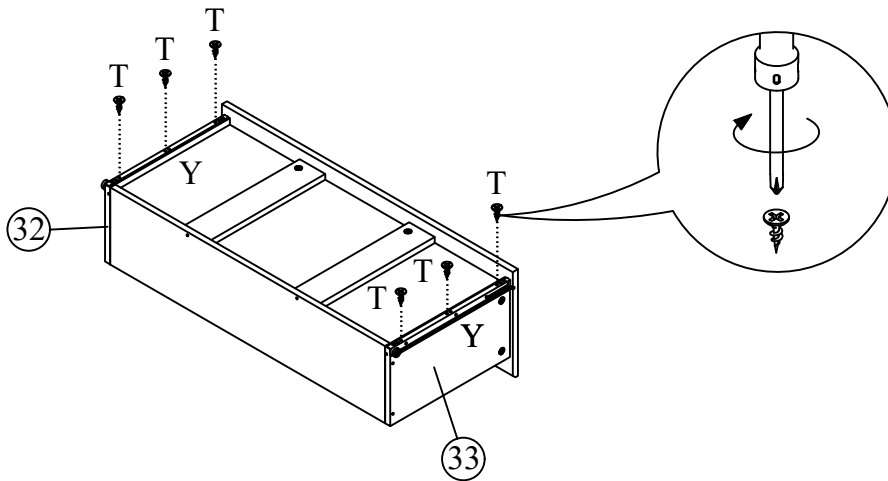
31

R		6
---	---------------------------------------------------------------------------------	---

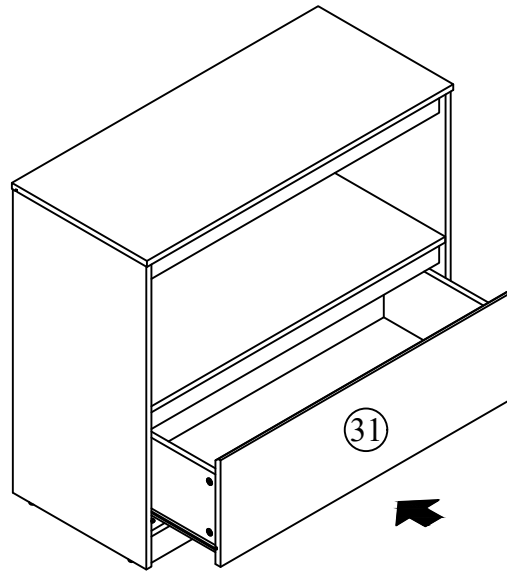


32

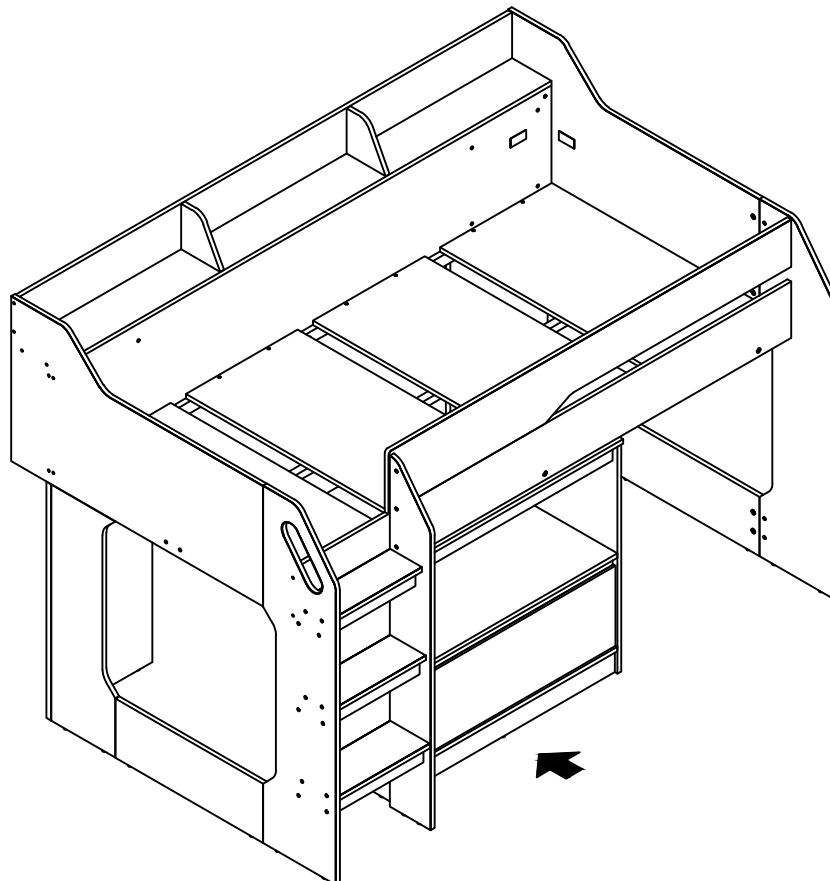
T		6
Y		1



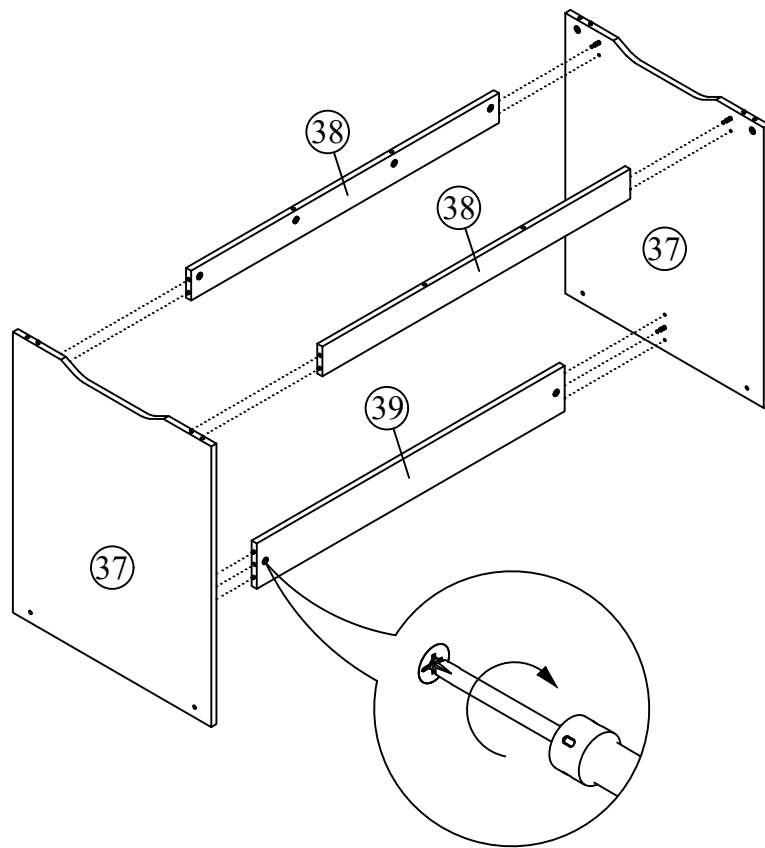
33



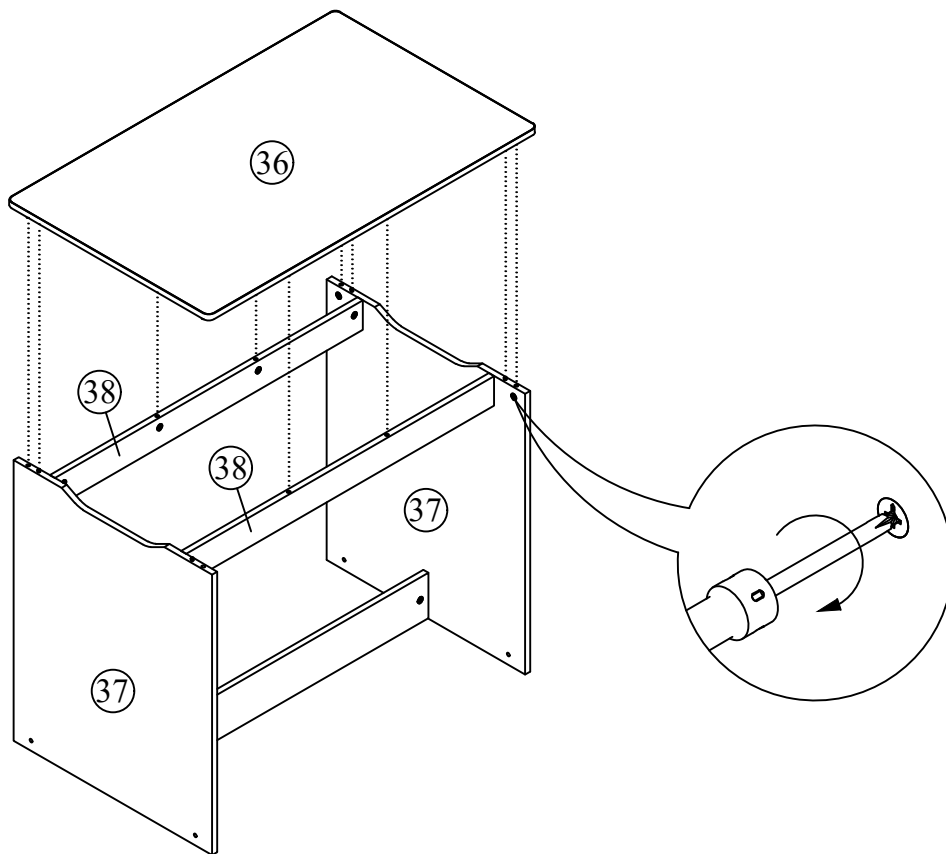
34








35

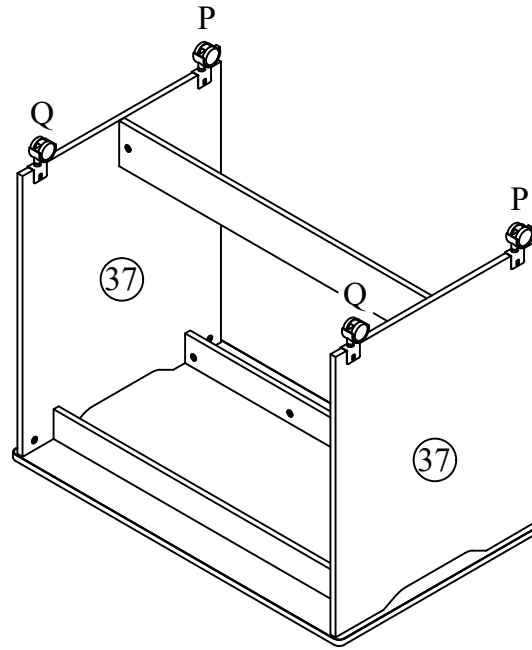
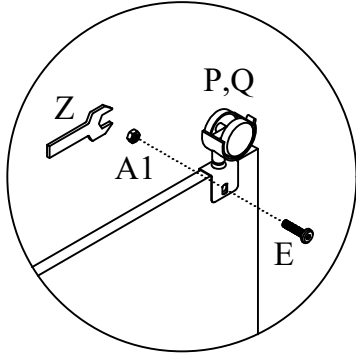
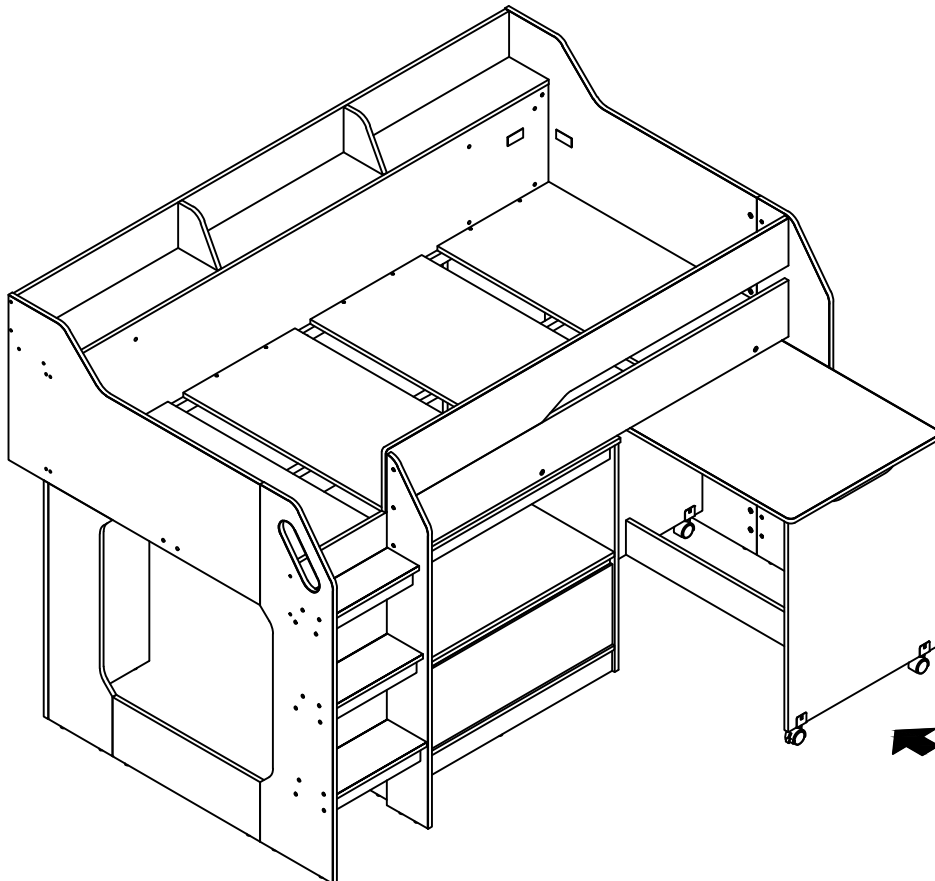


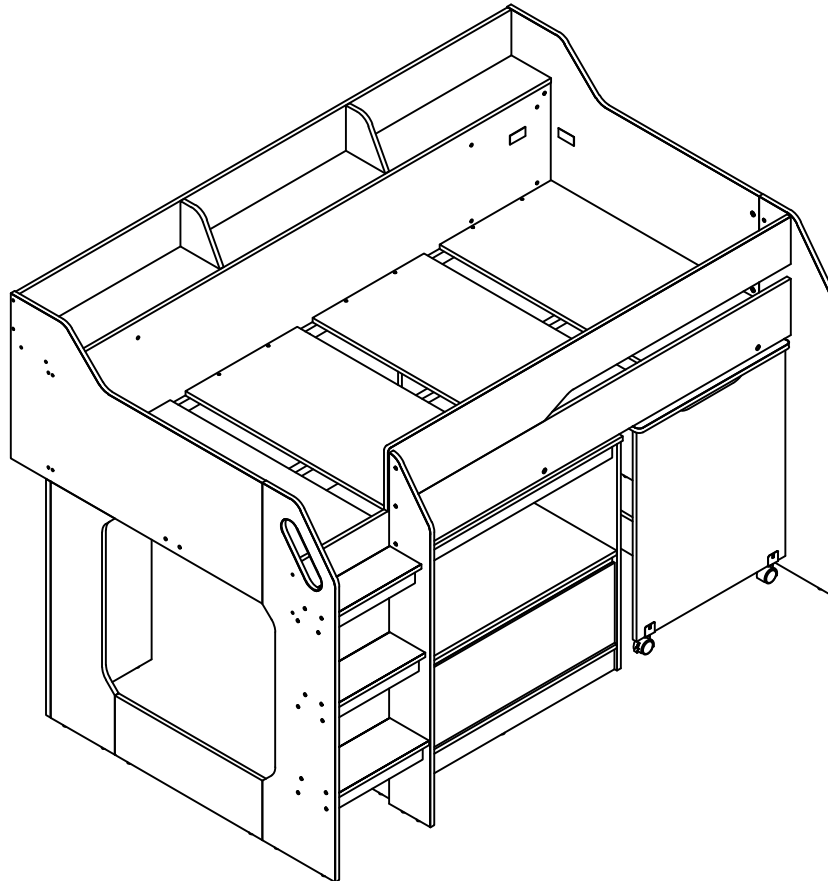
36



37

E		4
P		2
Q		2
Z		1
A1		4

**38**



Please dispose of packaging safely and responsibly.

Care & Maintenance Of Your Product

Gently wipe clean with a slightly damp cloth.

Household cleaners and abrasives can cause damage to the product.

Tighten all screws periodically to guarantee they are secure.

To move the product lift it into place. Pushing or dragging the product across a floor will cause damage to it. If the product is assembled on a hard floor, it is advised to place protection under the legs to prevent the product from moving. If these guidelines are not followed it may invalidate the warranty.

Notes

This product has been designed to be as easy to assemble as possible. In the event that you run into issues putting the bed together or have damaged/missing pieces, please contact us at:

orders@flairbeds.co.uk

or

01924 950955

www.flairbeds.co.uk

Flair
furnishings