

Assembly Instructions

Bea Triple High Bunk Bed

1/11

Safety Advice

Please take the time to carefully read through the whole of these instructions before you commence.

Keep these instructions for future reference.

Unpack, inspect and check off all of the contents.

Please dispose of all packaging safely.

Small component parts could choke a child if swallowed.

We strongly recommend that you keep children well away from the work area.

It would be sensible to lay a sheet or blanket on the floor where you intend to work to avoid scratching this product and to protect your floor.

This product is heavy. Take extreme care when lifting to avoid personal injury or damage to the product.

Assemble the product as close to its intended final position in the room as possible.

Please check the contents of boxes before attempting to assemble this product. A full checklist of parts and fittings is given in page 1&2 of this instruction leaflet.

HANDY HINT : If you keep the hardware in a bowl during assembly you will be less likely to lose them.

IMPORTANT-READ CAREFULLY-RETAIN FOR FUTURE REFERENCE

WARNING: High beds and the upper bed of bunks beds are not suitable for children under six years due to the risk of injury from falls

WARNING: Bunk beds and high beds can present a serious risk of injury from strangulation if not used correctly.

Never attach or hang items to any part of the bed that are not designed to be used with the bed, for example, but not limited to, ropes, strings, cords, hooks, belts and bags.

WARNING: Children can become trapped between the bed and the wall, a roof pitch, the ceiling, adjoining pieces of furniture (e.g. cupboards) and the like. To avoid risk of serious injury, the distance between the top safety barrier and the adjoining structure shall not exceed 75mm or shall be more than 230mm.

WARNING: Do not use the bunk bed/high bed if any structural part is broken or missing and always follow the manufacturer's instructions.

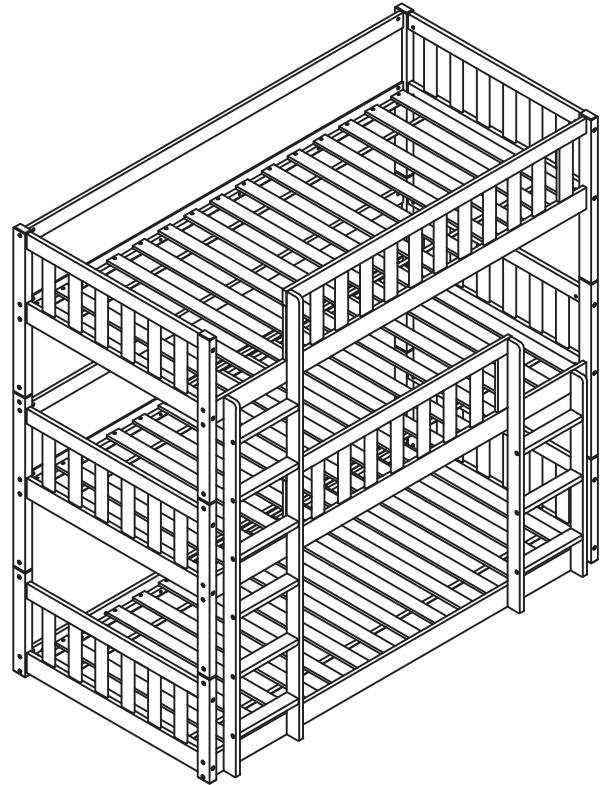
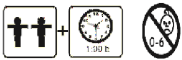
The largest size of mattress recommended for safe use is 190cm x 90cm with maximum thickness of (6 inch). Refer to the maximum thickness marking on the upper bed.

"Please refer to marking headboard" or "Please refer marking upper bunk"




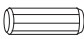


Frequent ventilation of the room is necessary to ensure that humidity is kept low and to prevent mould forming in and around the bed.


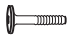
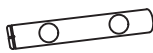

We strongly recommend regular checks on all assembly fastenings to ensure they are properly tightened.

This bunk complies with BS EN 747-1:2012+A1:2015



Hardware

A	JCBC M6 x 100mm		x 24
B	JCBC M6 x 80mm		x 29
C	M6 x 15mm Barrel Nut		x 53
D	Wood Dowel M10 x 30mm		x 71
E	JCBC-W M6 x 30mm		x 12
F	CSK M4 x 25mm		x 78

G	JCBC-W M6 x 50mm		x 30
H	JCBC M6 x 25mm		x 16
I	Metal Pin M10 x 100mm		x 8
J	M4 Allen Key		x 1

EN **WARNING !!**

To help prevent serious or fatal injuries from entrapment or falls :

- The top of the Mattress shall be at least 160mm below the upper edge of the safety barriers. The maximum thickness of the mattress shall be 6".
- Only use mattress that is 1905mm (75") long and 915mm (36") wide on upper a shall be at least 160mm (6-1/4") below the edge of the safety barriers.
- Follow written instructions with this bed.

STRANGULATION HAZARD — Never attach or hang item to any part of the bunk bed that are not designed for use with the bed; for example , but not limited to, hook, belt, and jumprobes.

- This upper bed is not suitable for children under six years.
- EN 747 : 2012 + A1 : 2015
- Made in Malaysia
- Importer by Mattressman Ltd.

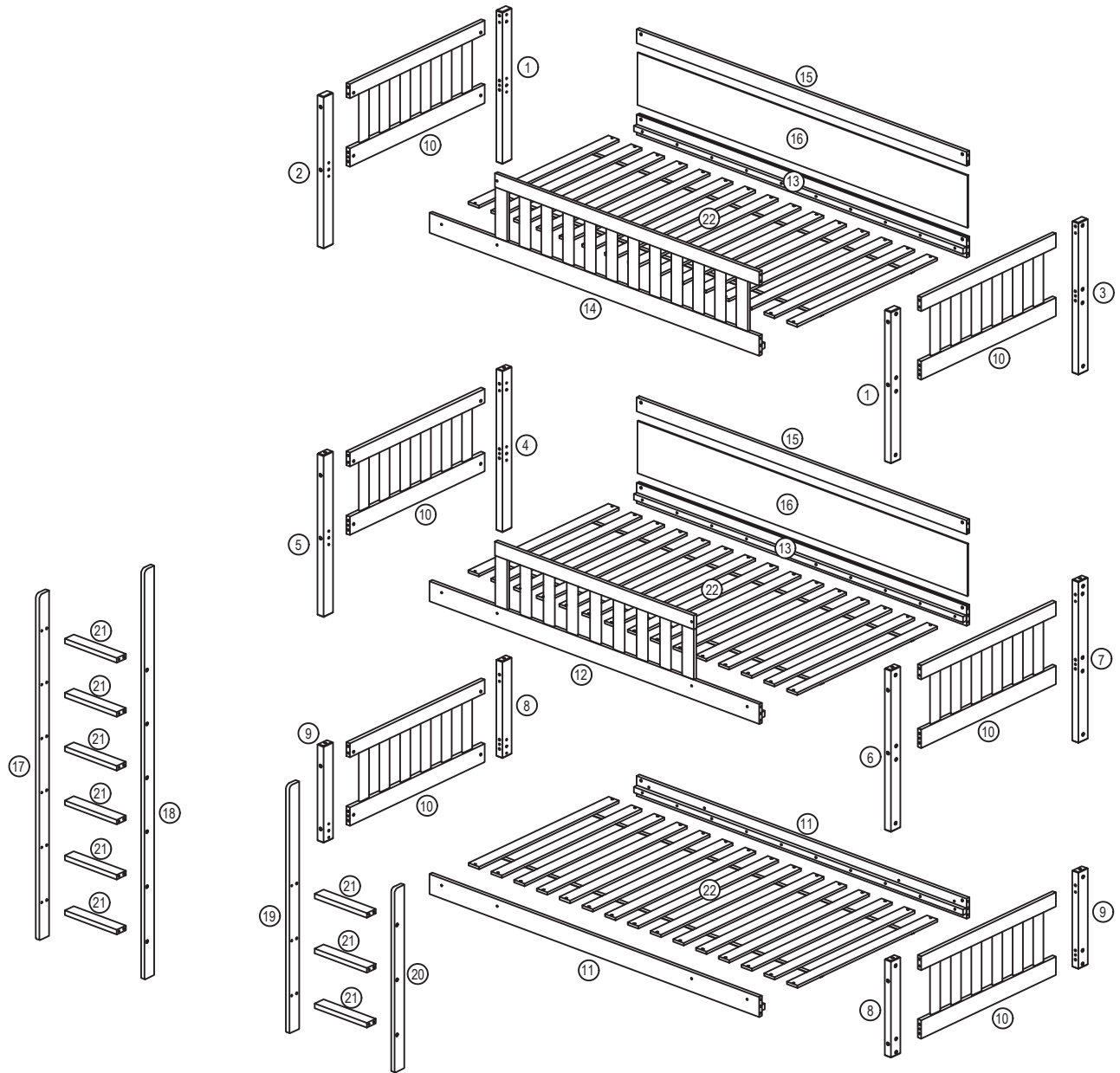
DO NOT REMOVE THIS LABEL

Tool required for assembly :

- * Allen Key (supplied)
- * Phillips Screwdriver (not supplied)

Assembly Instructions Bea Triple High Bunk Bed

Part in Box



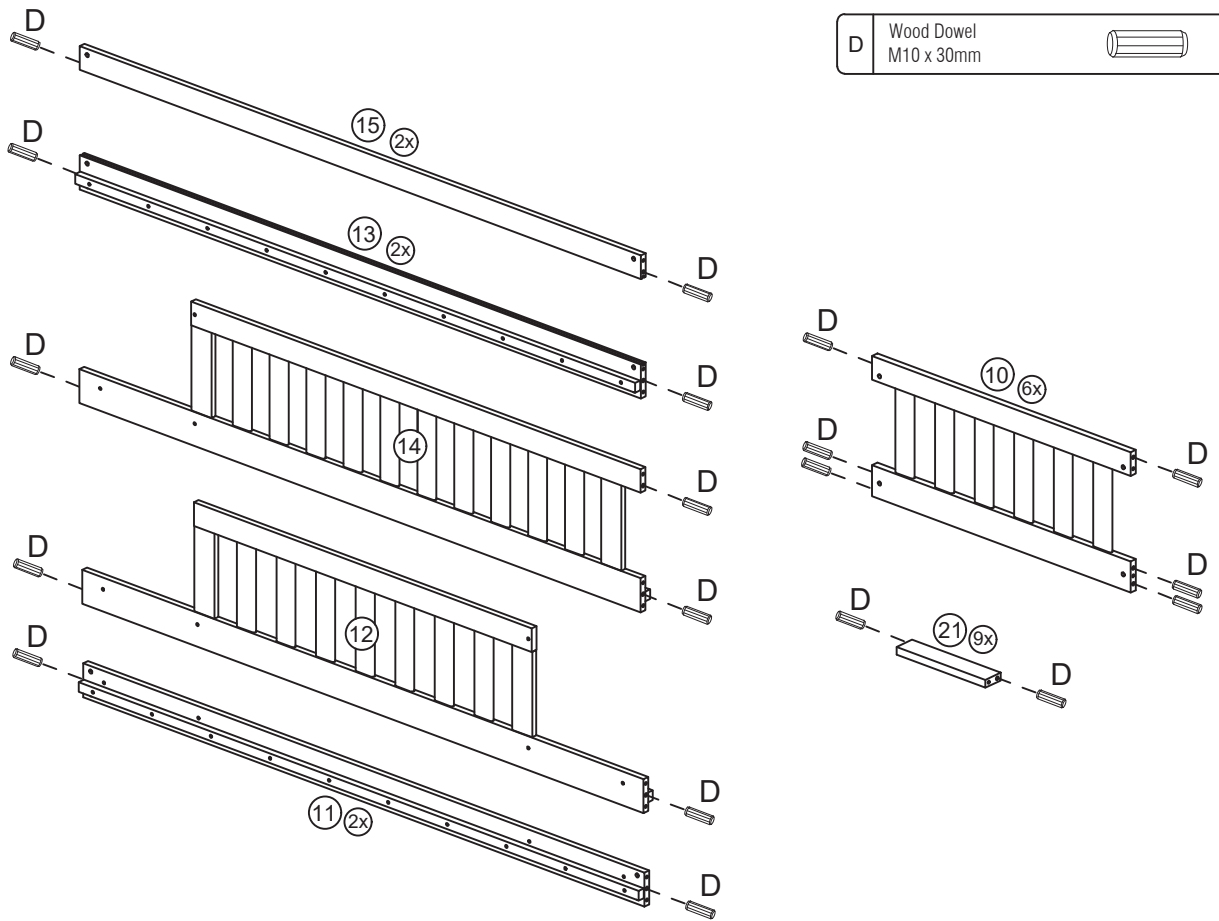
Parts No	Description	Qty	Carton #
1	Upper Bed Post	2	1/4
2	Upper Bed Post	1	1/4
3	Upper Bed Post	1	1/4
4	Mid. Bed Post	1	1/4
5	Mid. Bed Post	1	1/4
6	Mid. Bed Post	1	1/4
7	Mid. Bed Post	1	1/4
8	Lower Bed Post	2	1/4
9	Lower Bed Post	2	1/4
10	Hb. Fb. Panel	6	2/4
11	Lower Side Rail (Front & Back)	2	3/4
12	Mid. Front Guard Rail	1	3/4

Parts No	Description	Qty	Carton #
13	Upper & Mid. Back Side Rail	2	3/4
14	Upper Front Side Rail	1	3/4
15	Upper & Mid. Back Top Guard Rail	2	3/4
16	Upper & Mid. Back Guard Rail Panel	2	3/4
17	Short Ladder Panel (Left Side)	1	3/4
18	Long Ladder Panel (Left Side)	1	3/4
19	Long Ladder Panel (Right Side)	1	3/4
20	Short Ladder Panel (Right Side)	1	3/4
21	Ladder Step	9	3/4
22	Bed Slats	3 Set	4/4

Assembly Instructions Bea Triple High Bunk Bed

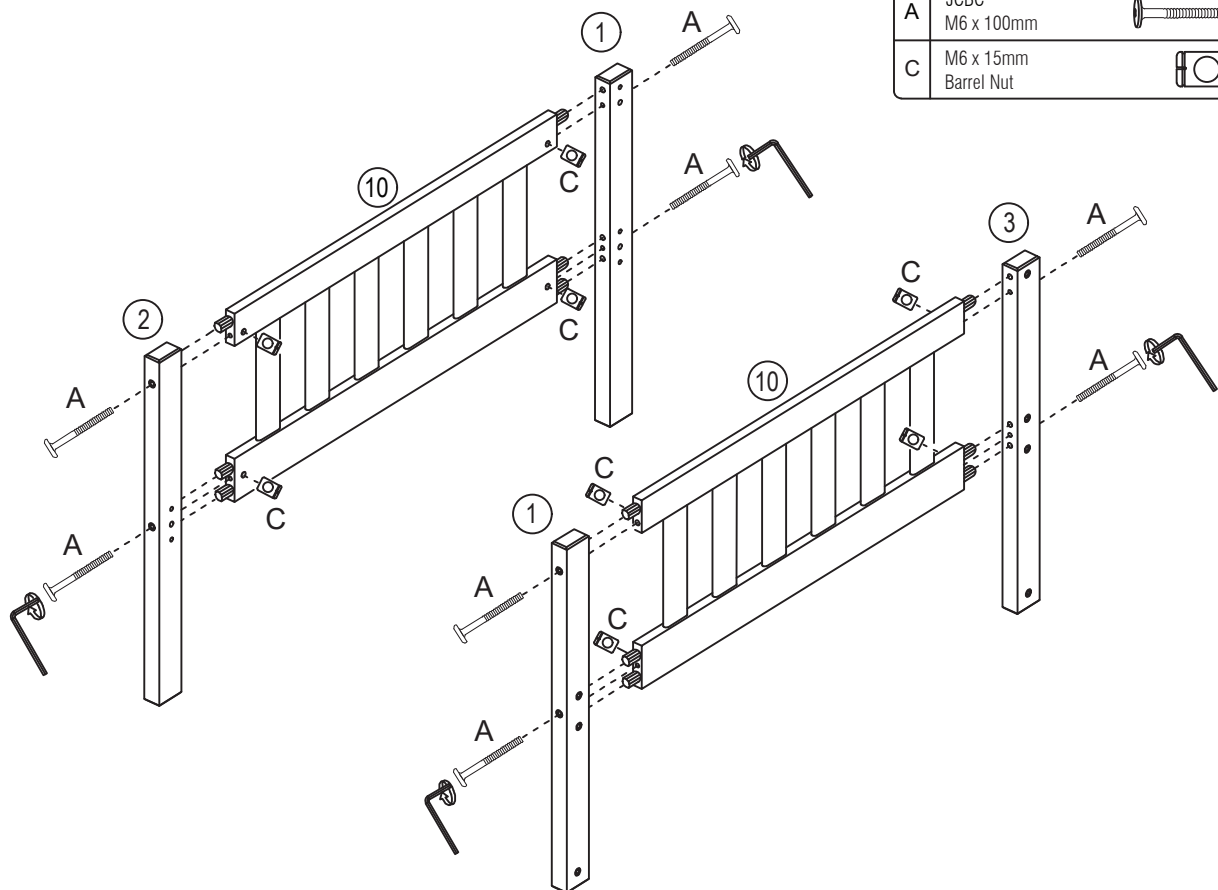
3/11

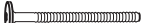

1



D	Wood Dowel M10 x 30mm		x 71
---	--------------------------	---	------

2





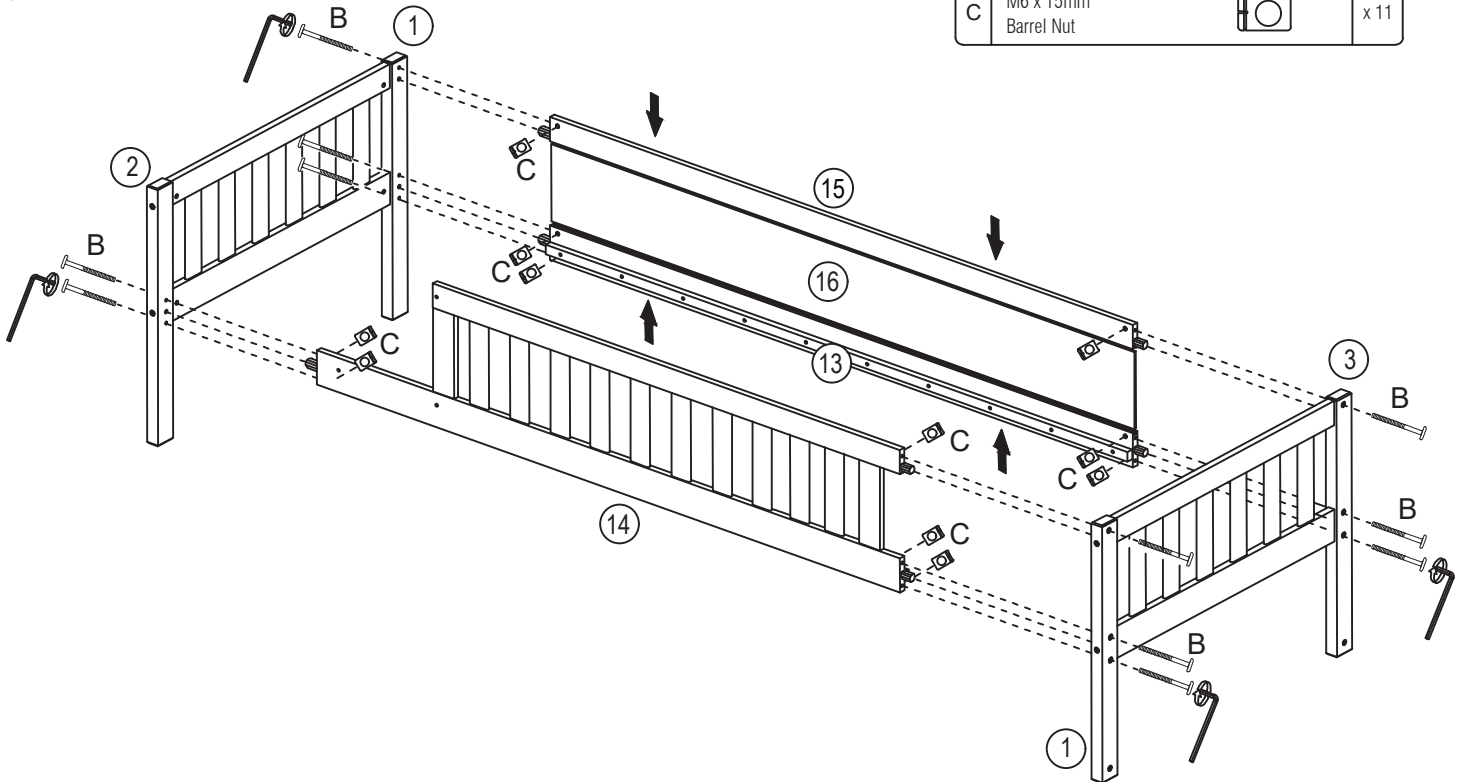
A	JCBC M6 x 100mm		x 8
C	M6 x 15mm Barrel Nut		x 8

Assembly Instructions Bea Triple High Bunk Bed



4/11

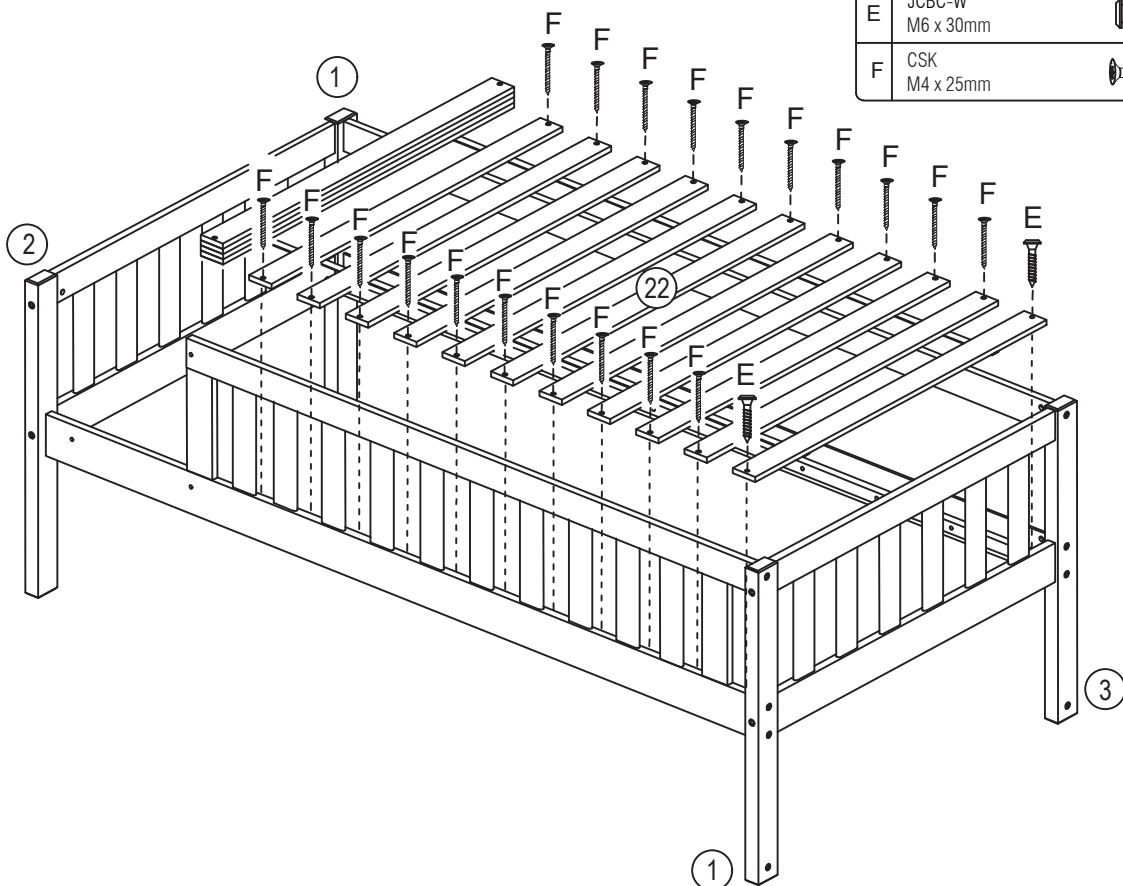
3

B	JCBC M6 x 80mm		x 11
C	M6 x 15mm Barrel Nut		x 11



4



E	JCBC-W M6 x 30mm		x 2
F	CSK M4 x 25mm		x 20

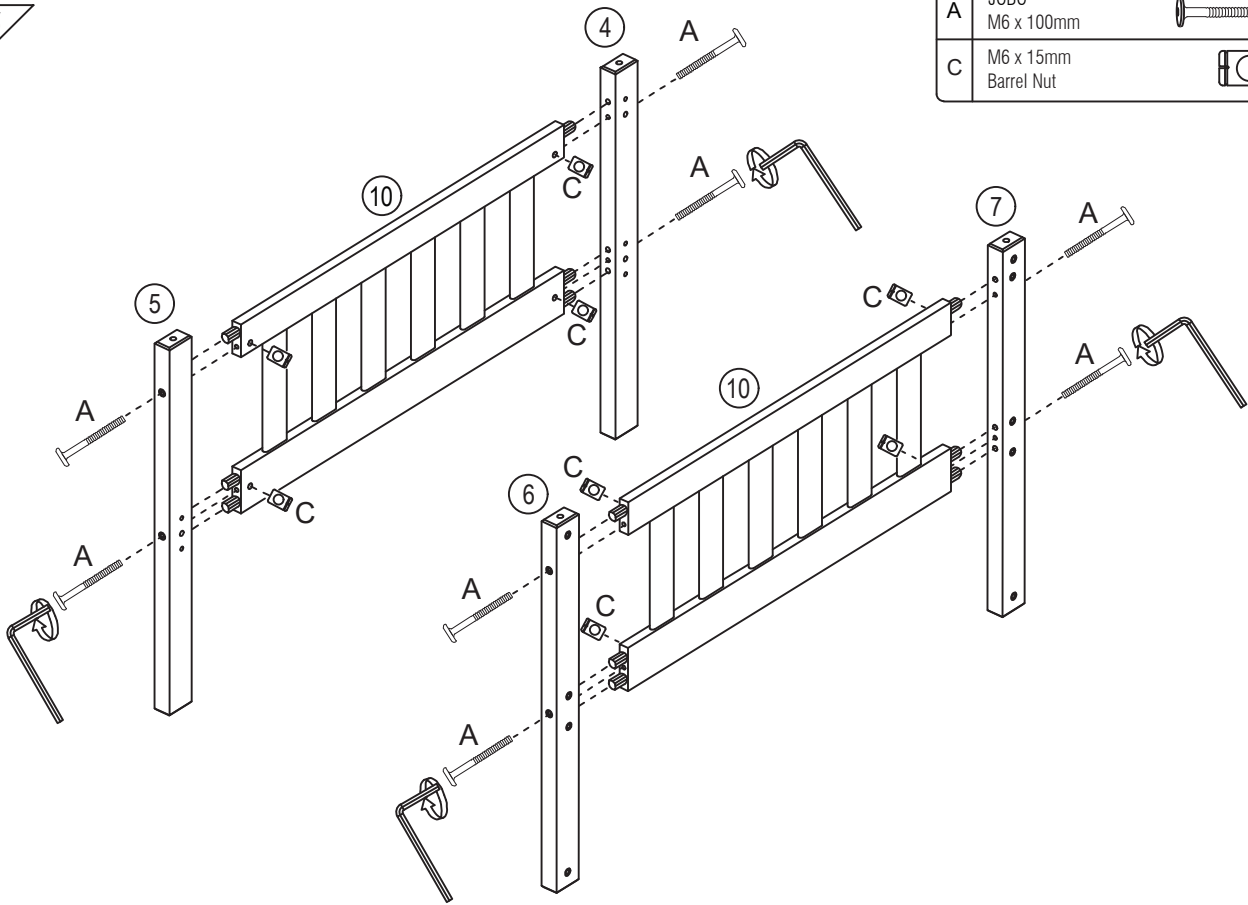


Assembly Instructions



Bea Triple High Bunk Bed

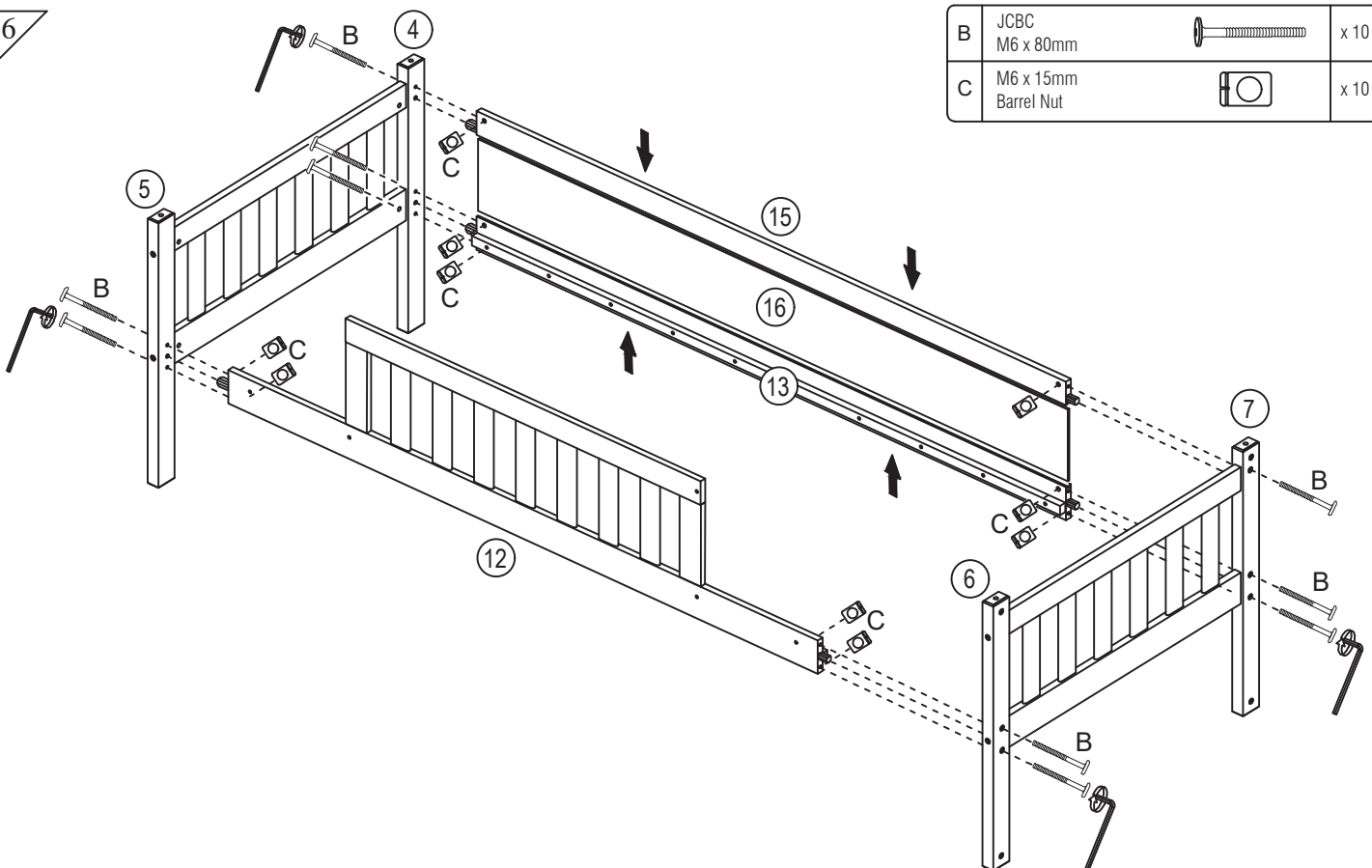
5

A	JCBC M6 x 100mm		x 8
C	M6 x 15mm Barrel Nut		x 8



6

B	JCBC M6 x 80mm		x 10
C	M6 x 15mm Barrel Nut		x 10

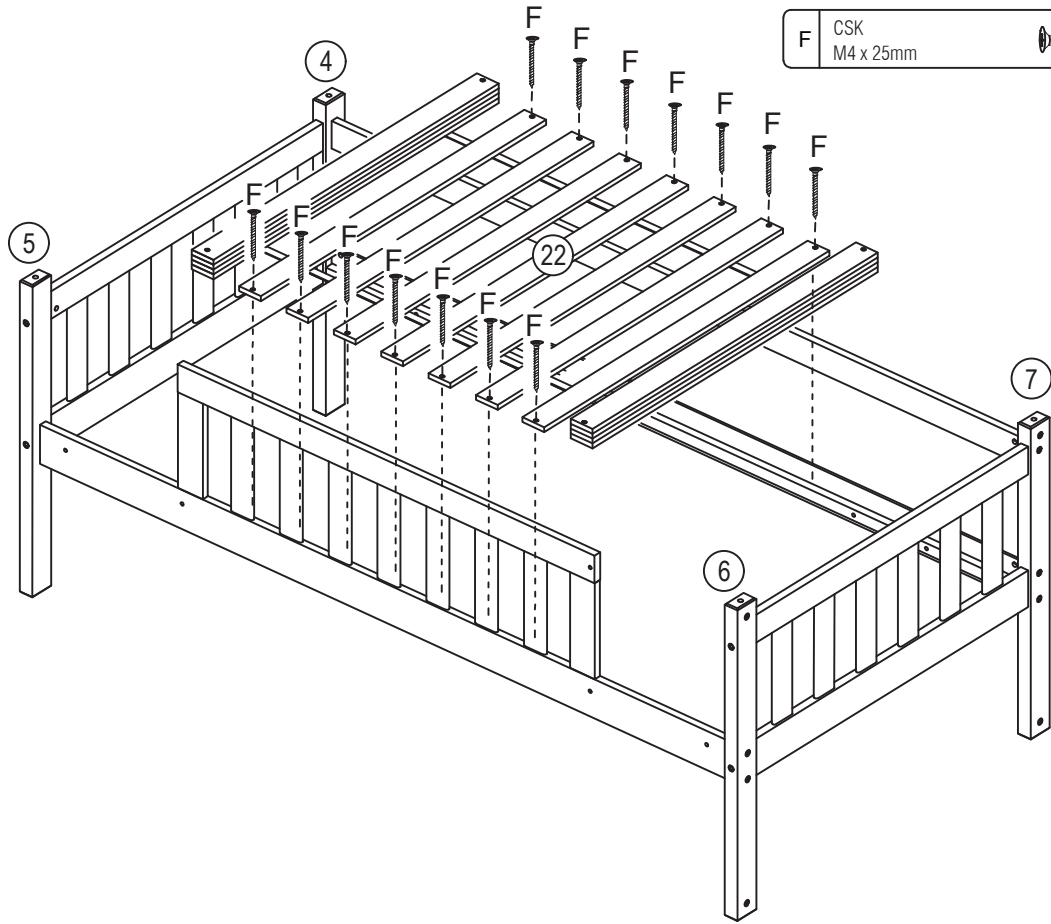


Assembly Instructions

Bea Triple High Bunk Bed

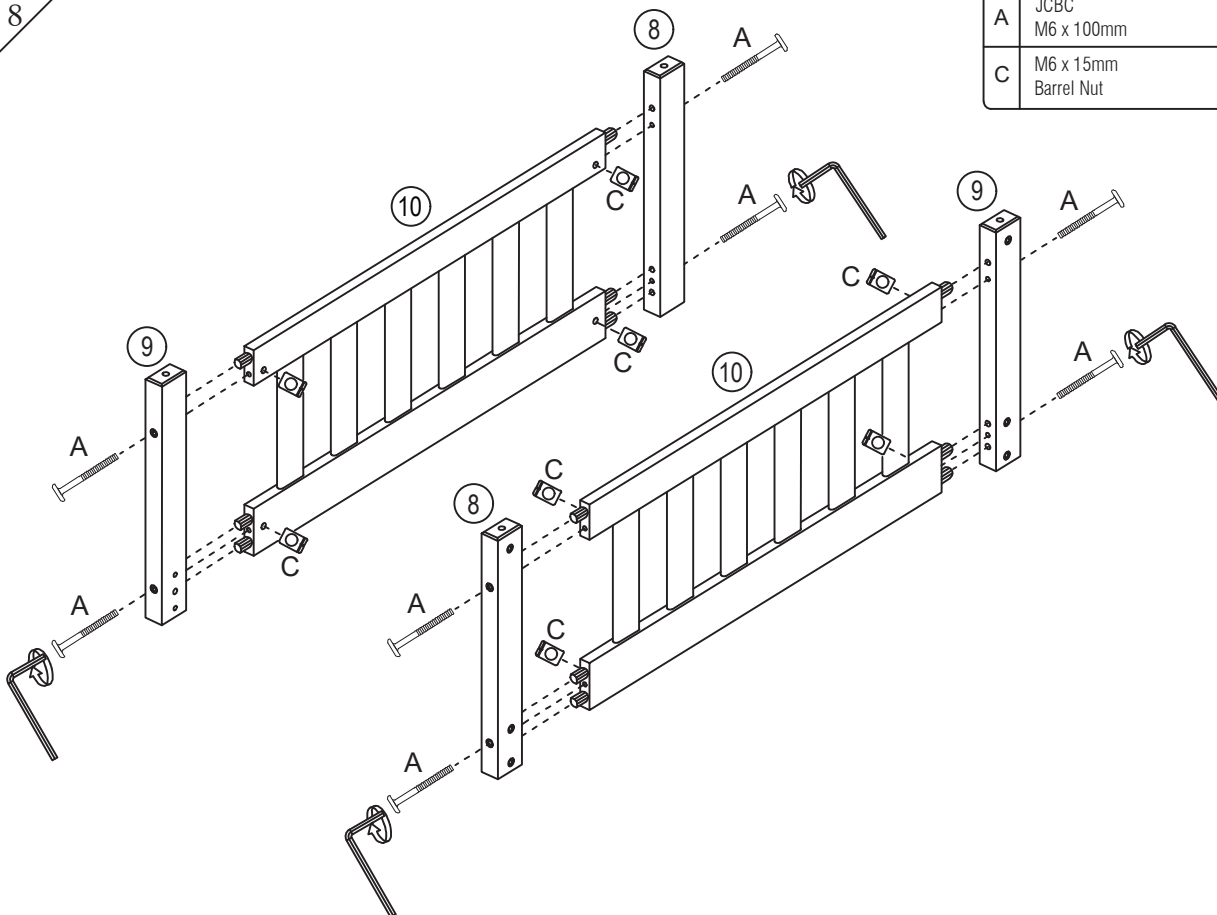
6/11



7



F	CSK M4 x 25mm		x 14
---	------------------	---	------

8

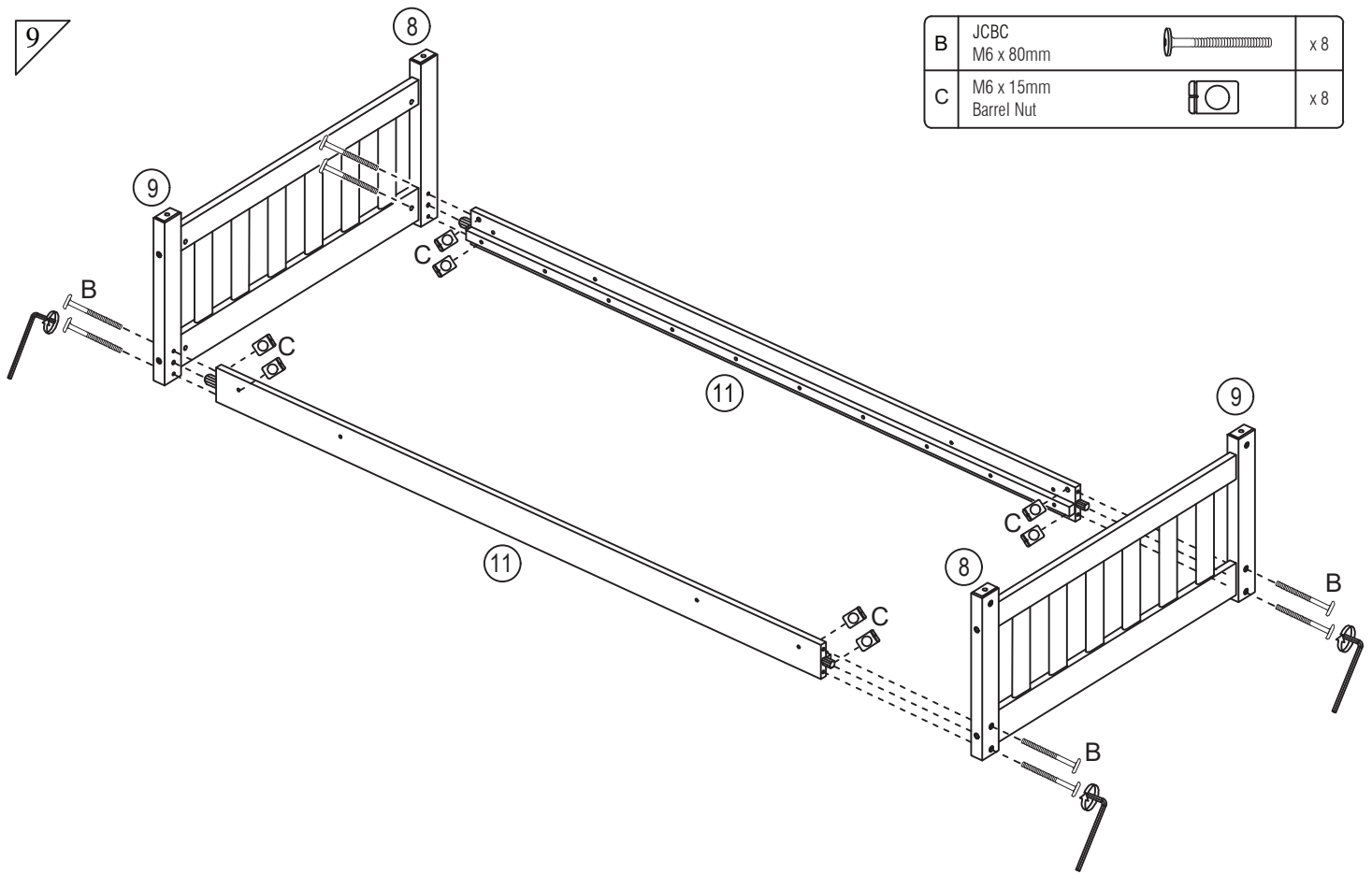




A	JCBC M6 x 100mm		x 8
C	M6 x 15mm Barrel Nut		x 8

Assembly Instructions Bea Triple High Bunk Bed

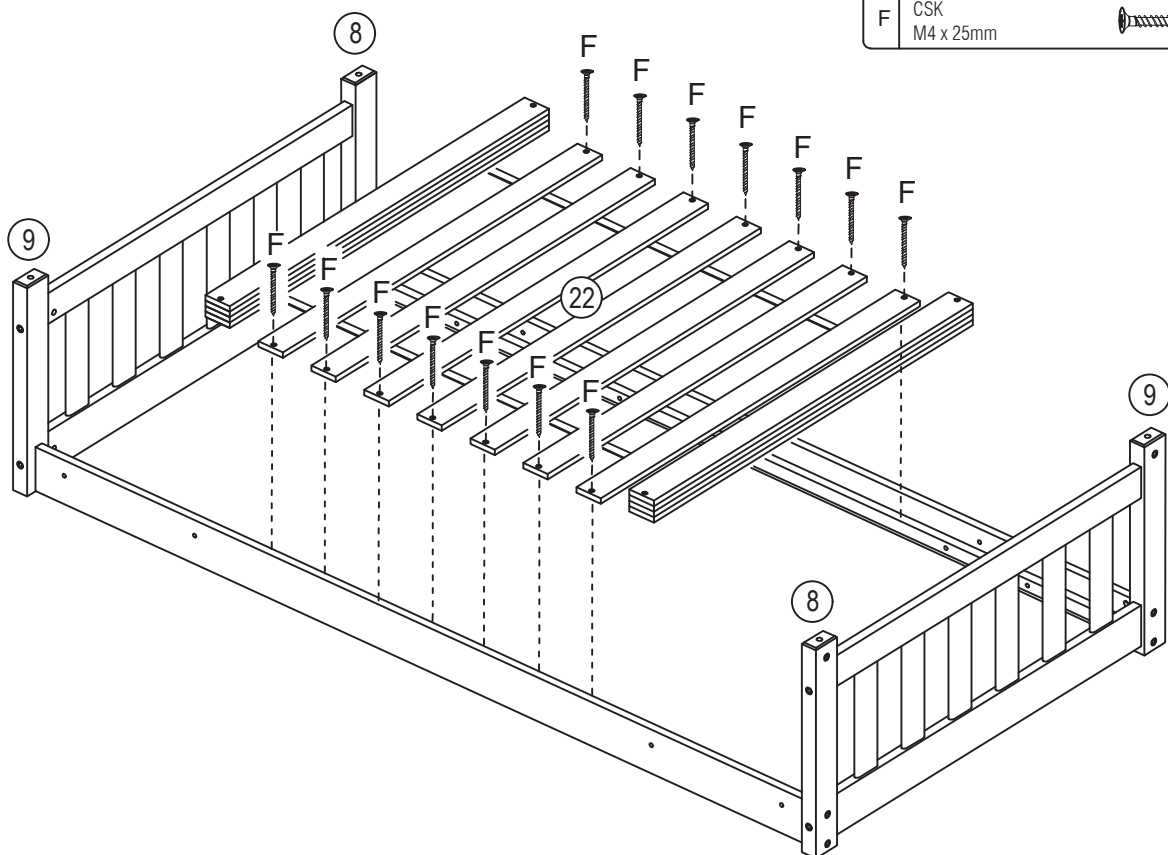
7/11

9



B	JCBC M6 x 80mm		x 8
C	M6 x 15mm Barrel Nut		x 8

10

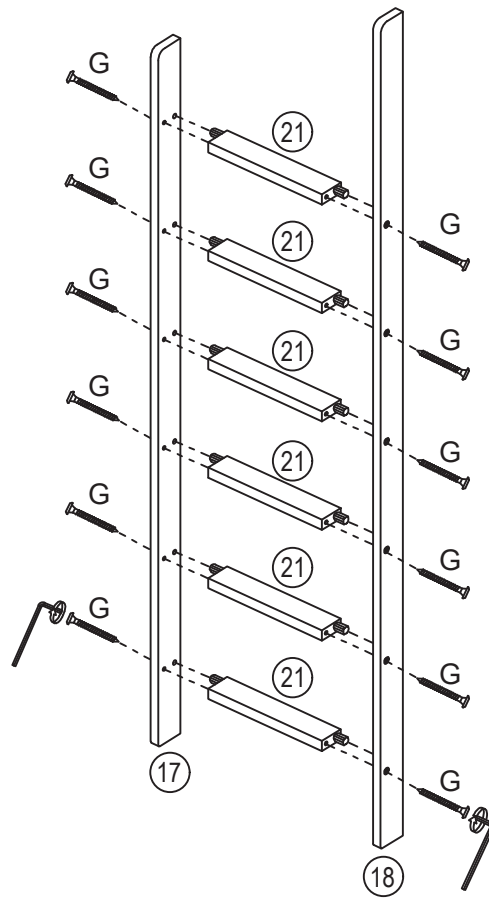



F	CSK M4 x 25mm		x 14
---	------------------	---	------

Assembly Instructions Bea Triple High Bunk Bed

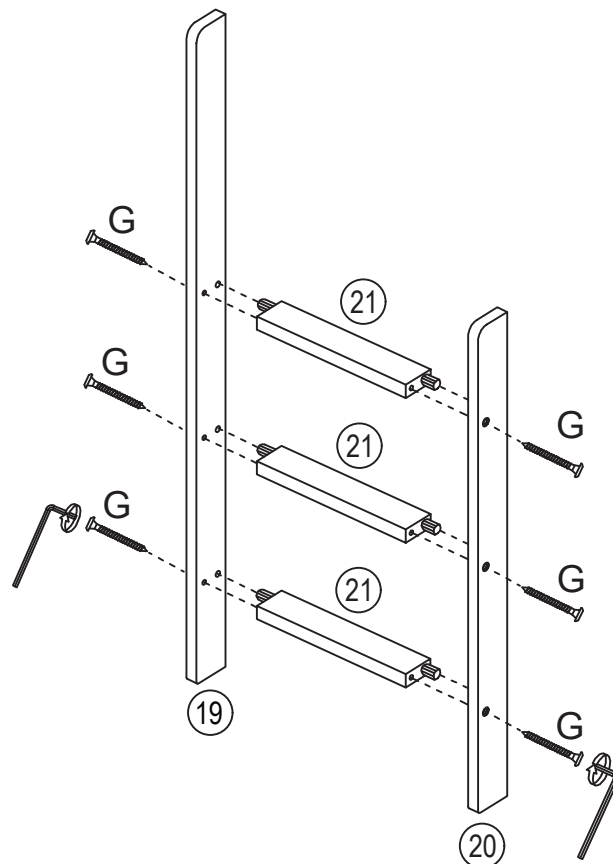
8/11

11



G	JCBC-W M6 x 50mm		x 12
---	---------------------	---	------

12



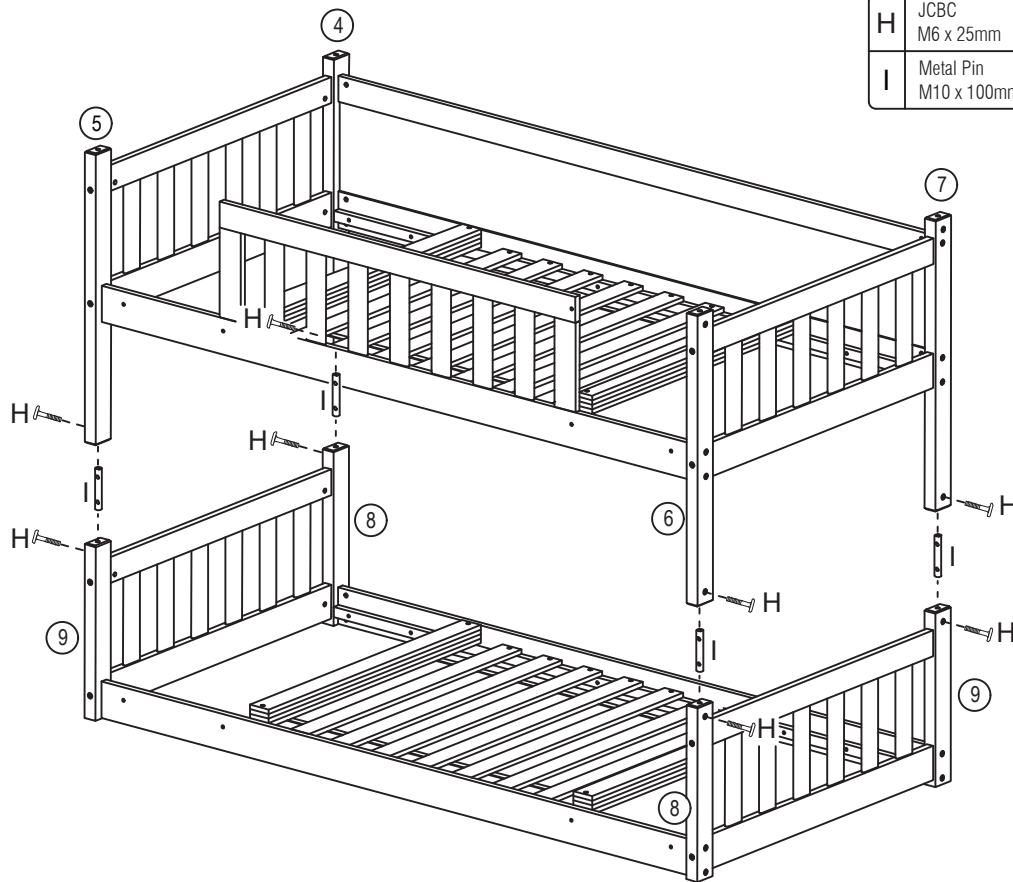
G	JCBC-W M6 x 50mm		x 6
---	---------------------	---	-----



Assembly Instructions

Bea Triple High Bunk Bed

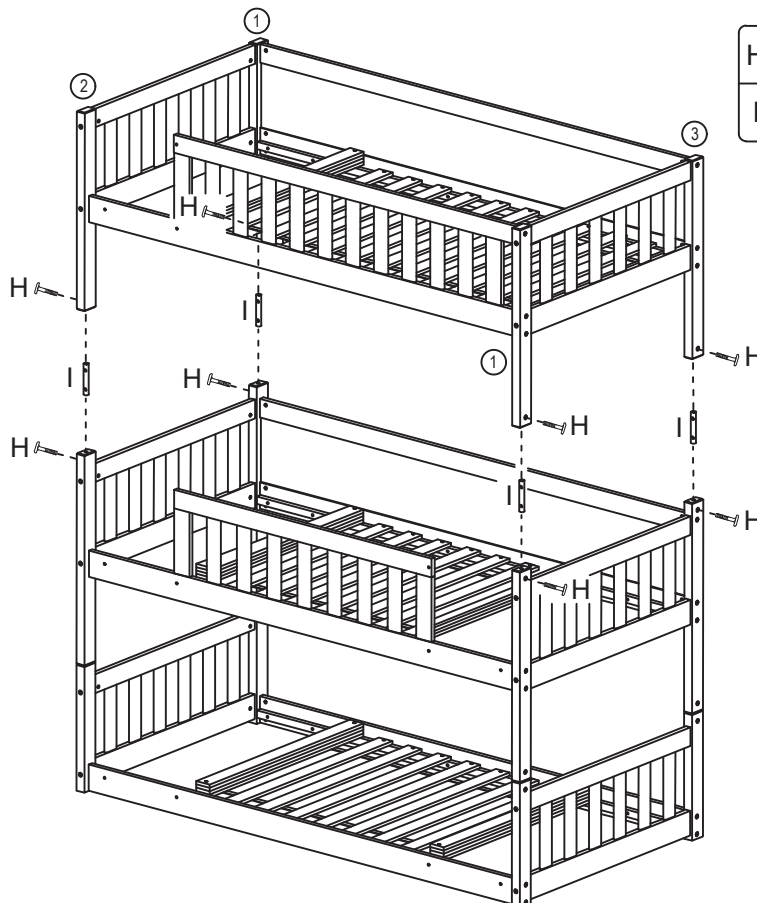
9/11

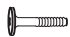

13



H	JCBC M6 x 25mm		x 8
I	Metal Pin M10 x 100mm		x 4

14



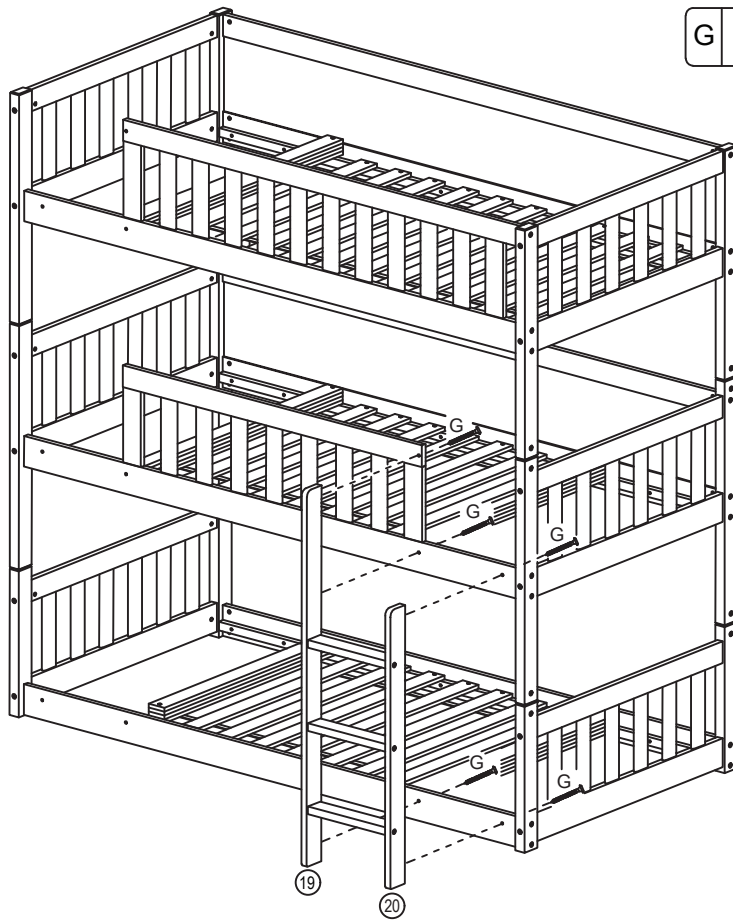
H	JCBC M6 x 25mm		x 8
I	Metal Pin M10 x 100mm		x 4

Assembly Instructions Bea Triple High Bunk Bed

10/11

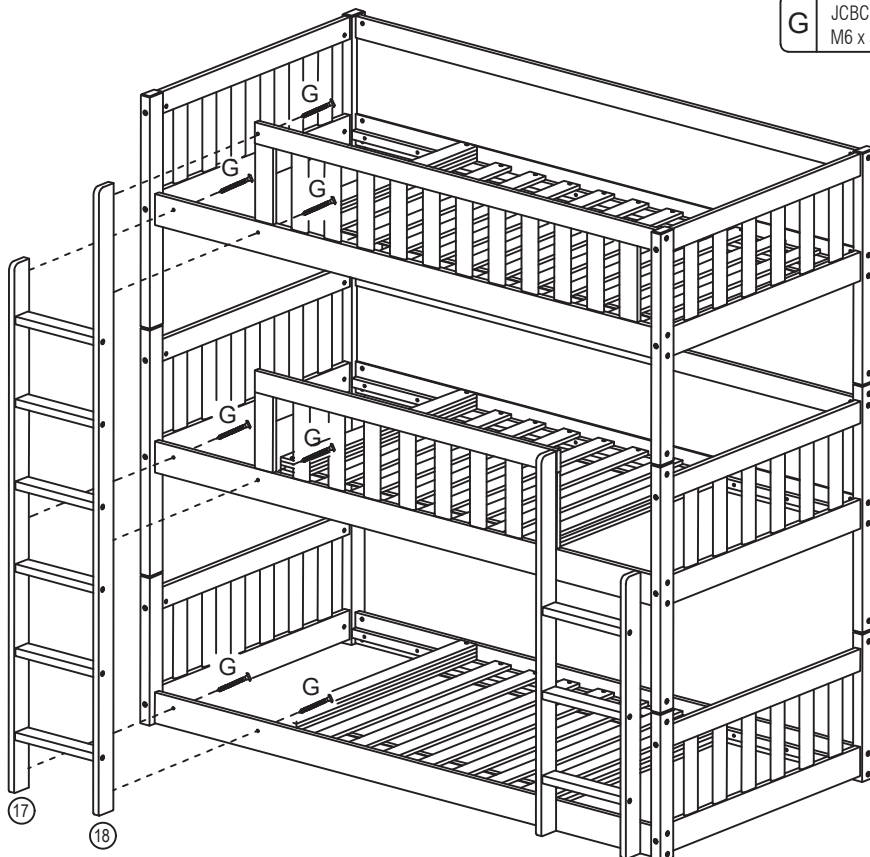
15

G JCBC-W
M6 x 50mm  x 5



16

G JCBC-W
M6 x 50mm  x 7


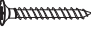


Assembly Instructions

Bea Triple High Bunk Bed

11/11

17

E	JCBC-W M6 x 30mm		x 10
F	CSK M4 x 25mm		x 30

