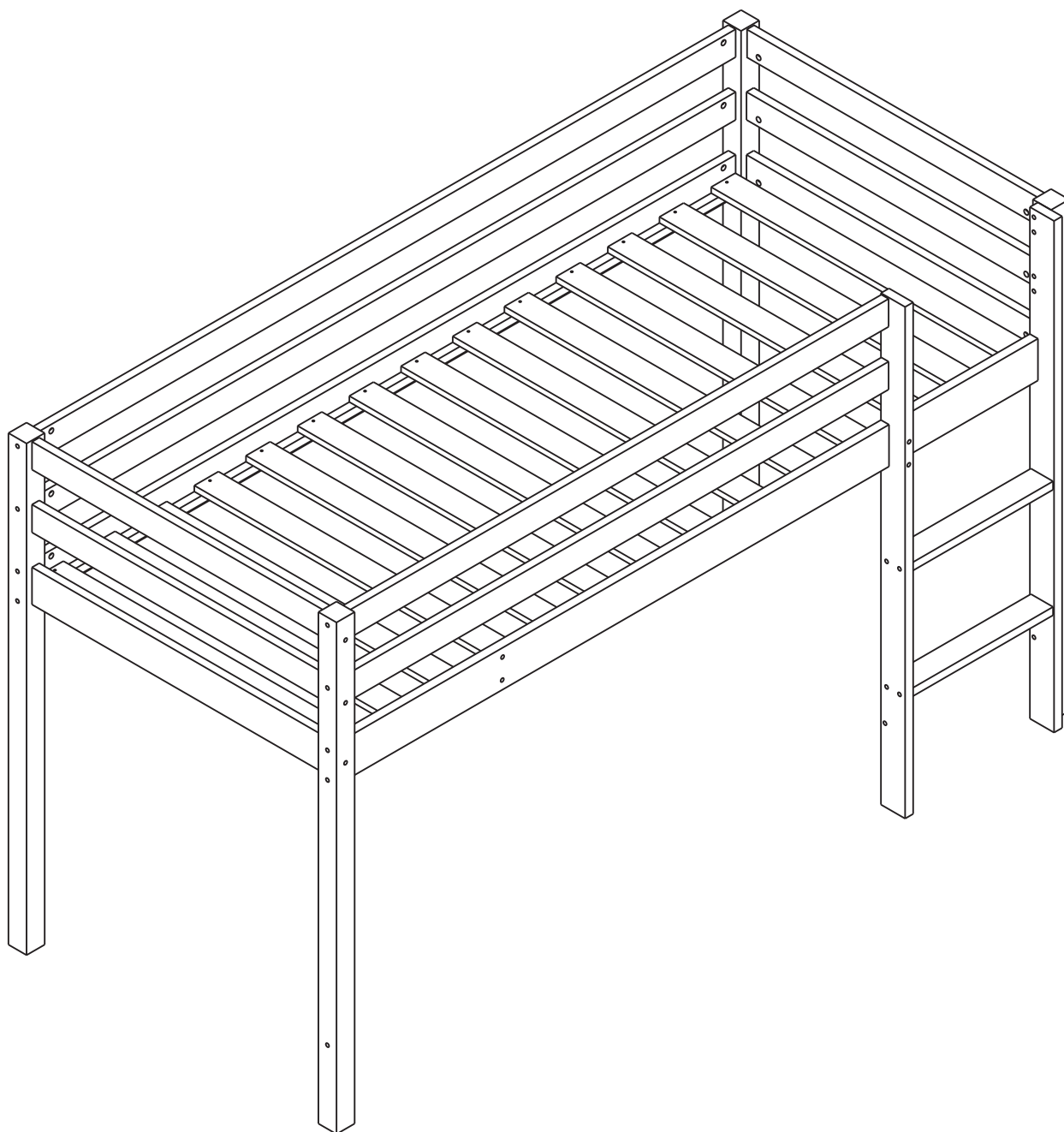


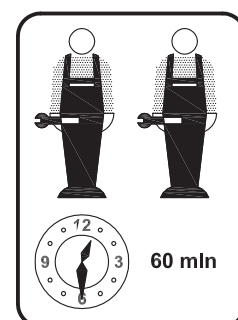
Flair Furniture

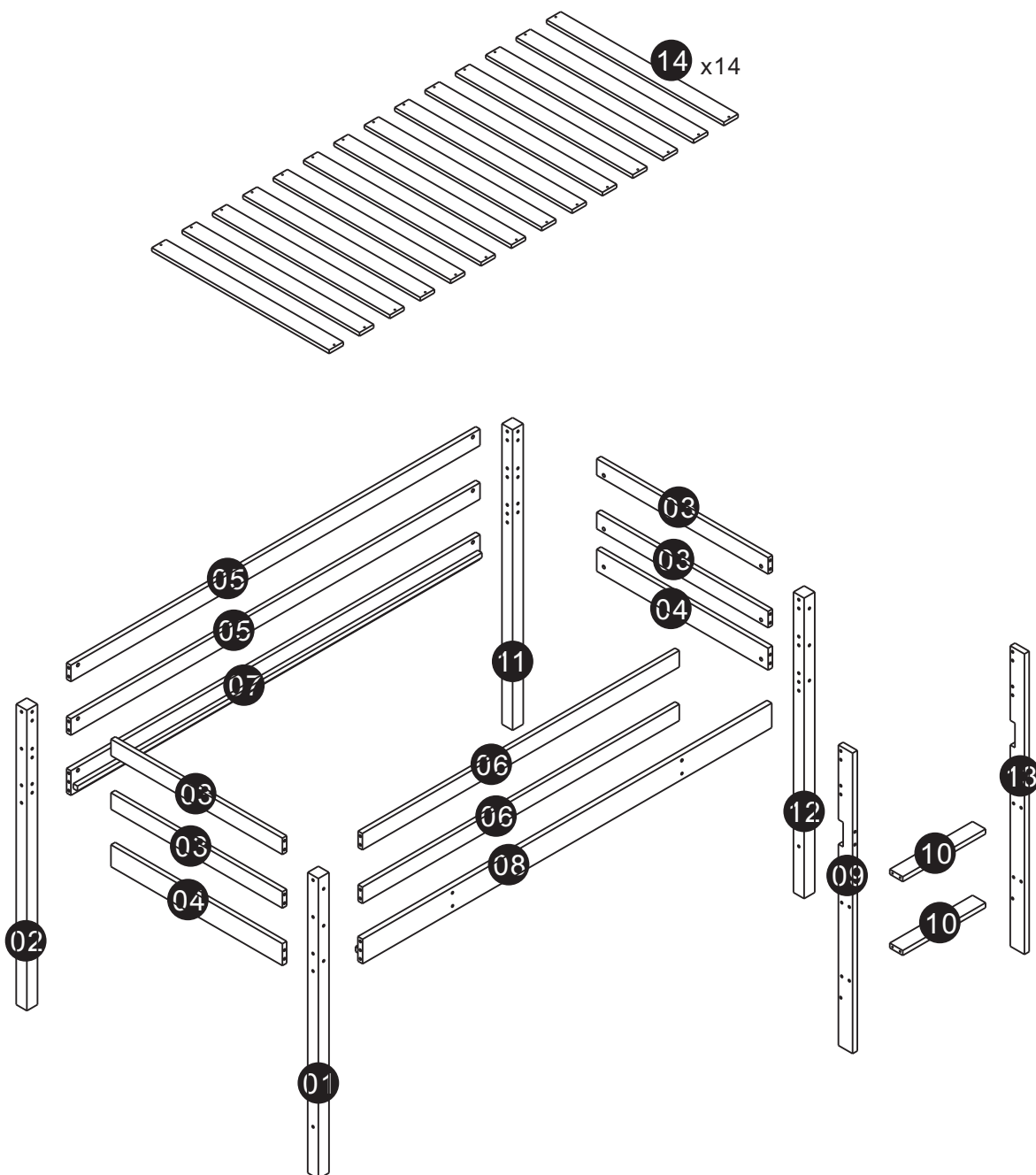
ELARA SHORTY MID-SLEEPER





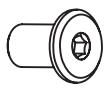



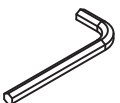


READ THE ASSEMBLY INSTRUCTIONS CAREFULLY. IDENTIFY THE ELEMENTS CONSTITUING YOUR PIECE OF FURNITURE. GROUP AND CHECK THE HARDWARE FITTINGS. GET THE TOOLS NEEDED. CLEAR SPACE TO WORK. PROCEED TO ASSEMBLE

NEVER FORCE THE FITTINGS. TIGHTEN THE SCREW AFTER USING FOR SOMETIME. KEEP YOUR ASSEMBLY INSTRUCTIONS, IT COULD HELP FOR BETTER COMMUNICATION WITH YOUR STORE. IN THE EVENT OF QUERY.





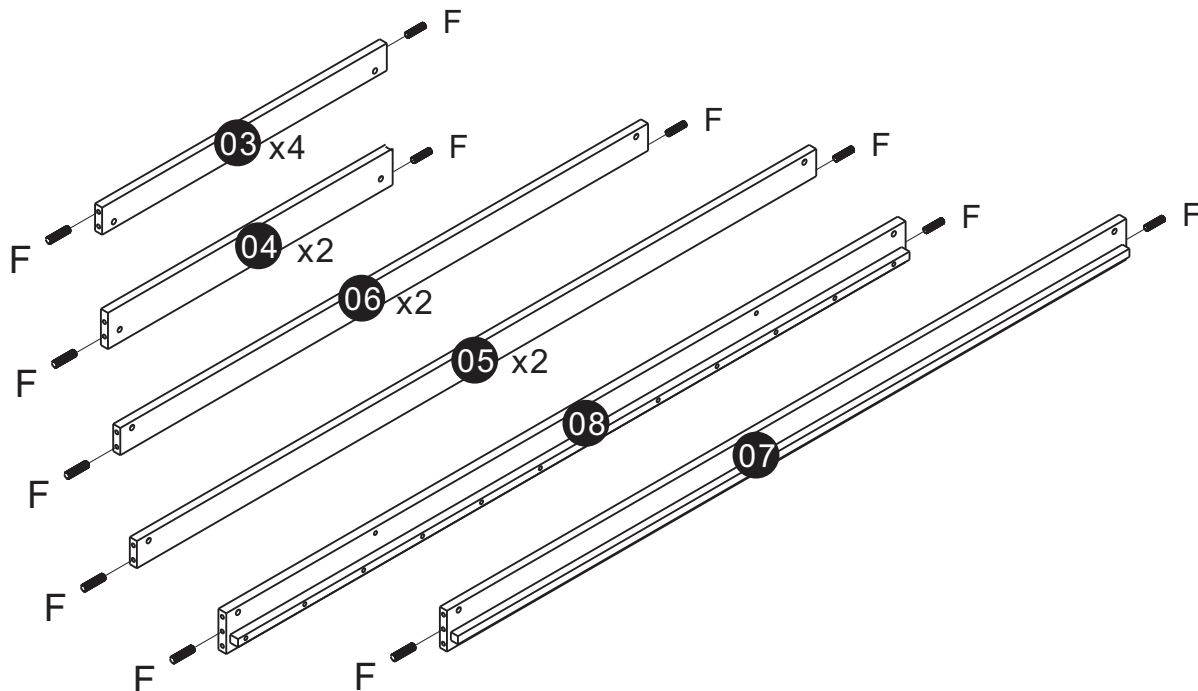
<p>A x26</p>  <p>M6 x90mm</p>	<p>B x2</p>  <p>M6x60mm</p>	<p>C x28</p> 	<p>D x5</p>  <p>M6x50mm</p>	<p>E x5</p> 
<p>F x24</p>  <p>Ø8 x30mm</p>	<p>G x8</p>  <p>Ø7 x60mm</p>	<p>I x28</p>  <p>Ø4 x30mm</p>	<p>J x2</p> 	

01

F x24



Ø8 x30mm



02

A x6

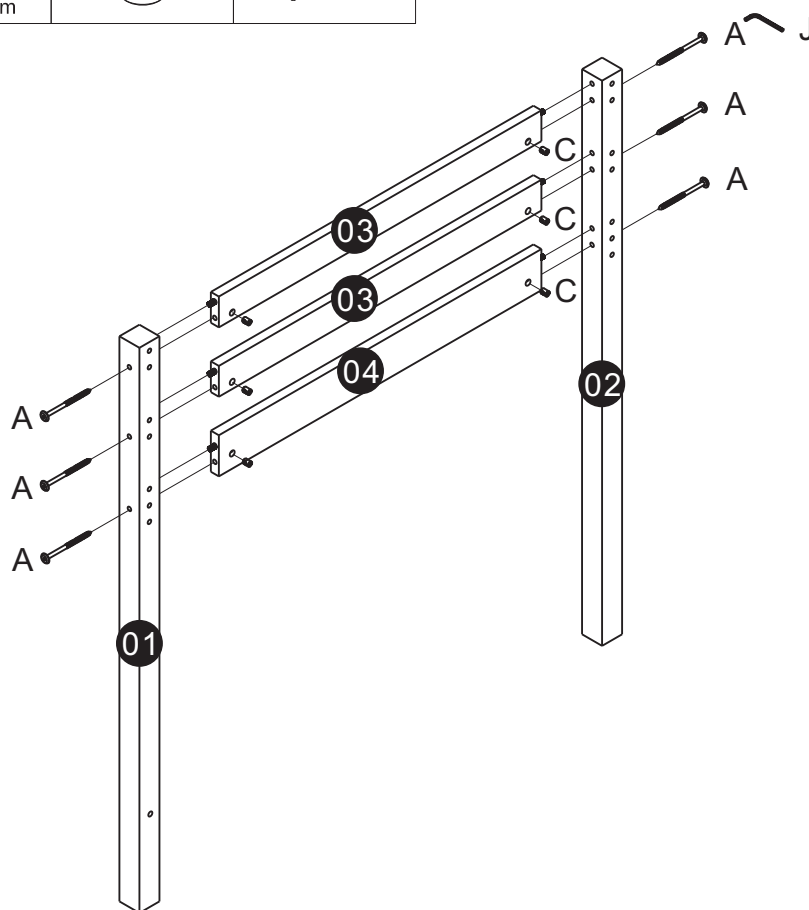


M6 x90mm




C x6

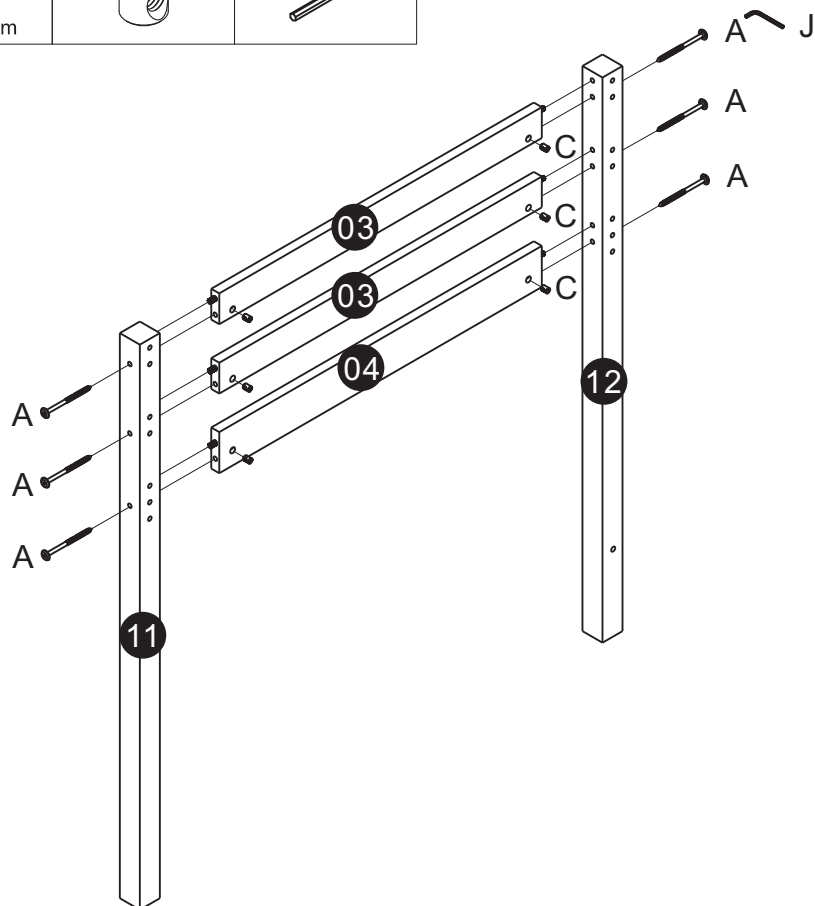


J x1






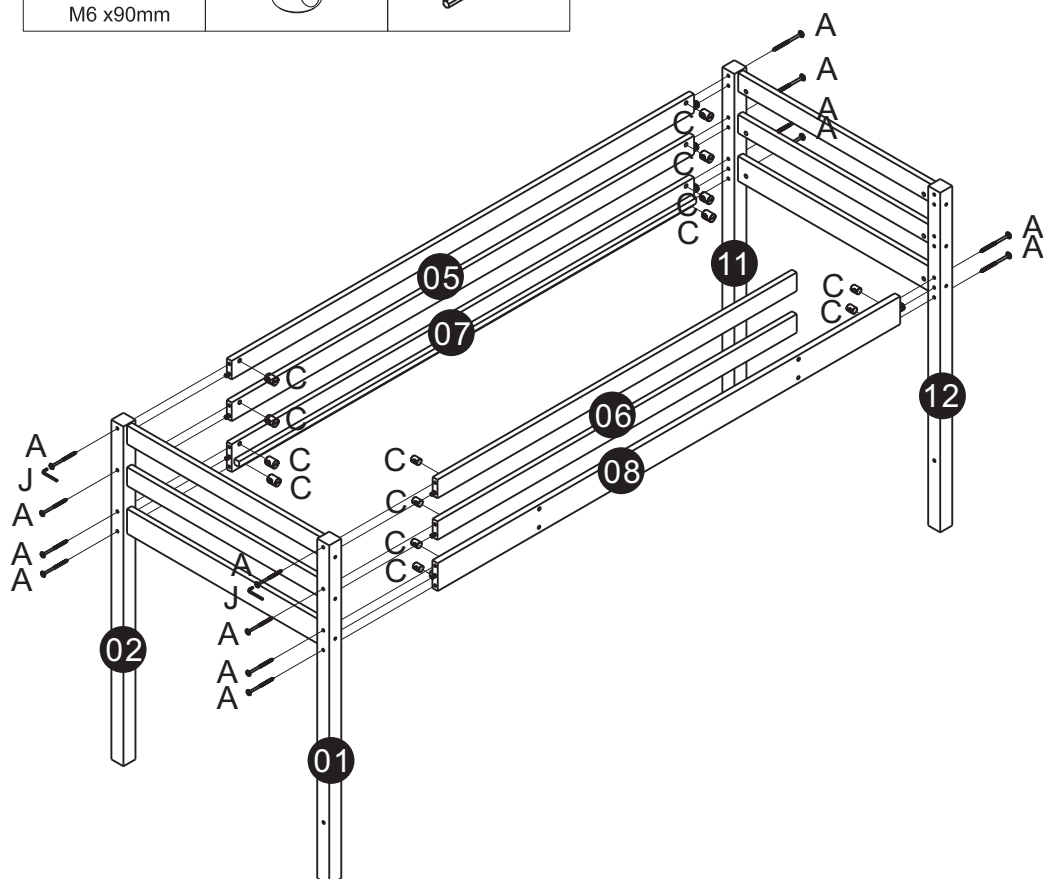
03

A x 6  M6 x90mm	C x 6 	J x 1 
--	--	--





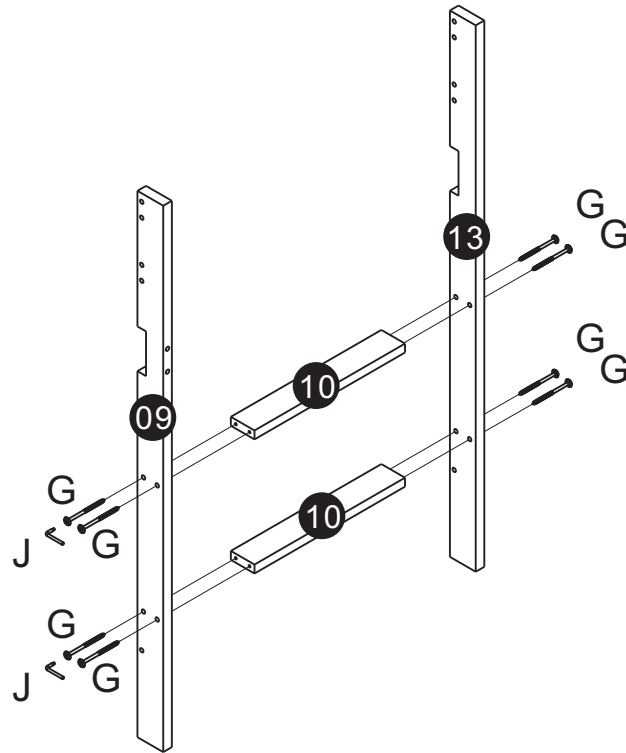
04

A x 14  M6 x90mm	C x 14 	J x 1 
---	---	--





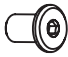


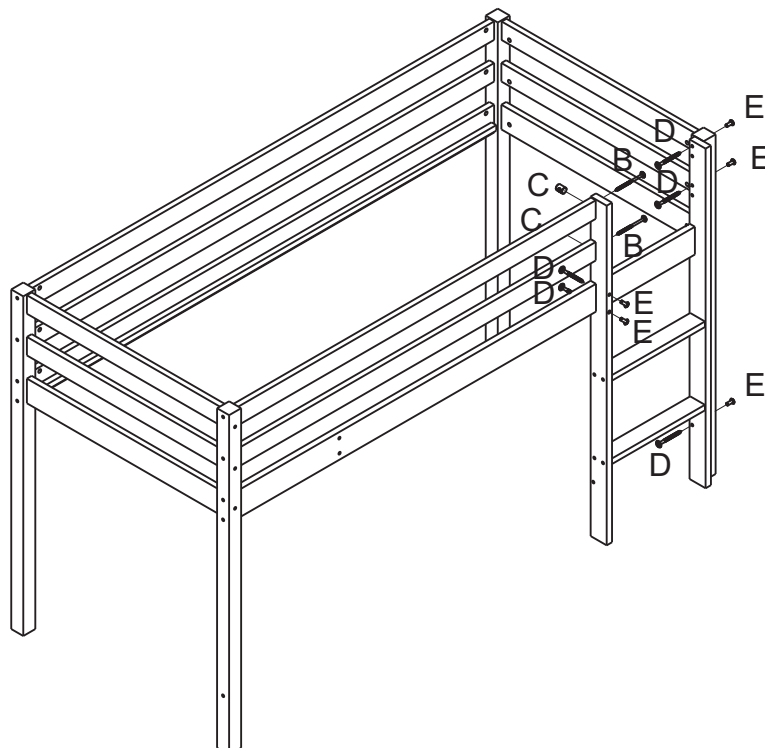
05

G x8  Ø7 x60mm	J x1 
---	---



06

J x1 	C x2 	B x2  M6x60mm	D x5  M6x50mm	E x5 
---	---	--	--	---



07

WARNING!

Press the middle of the bed sides
and tighten the screw first!!!

l x28



Ø4 x30mm

