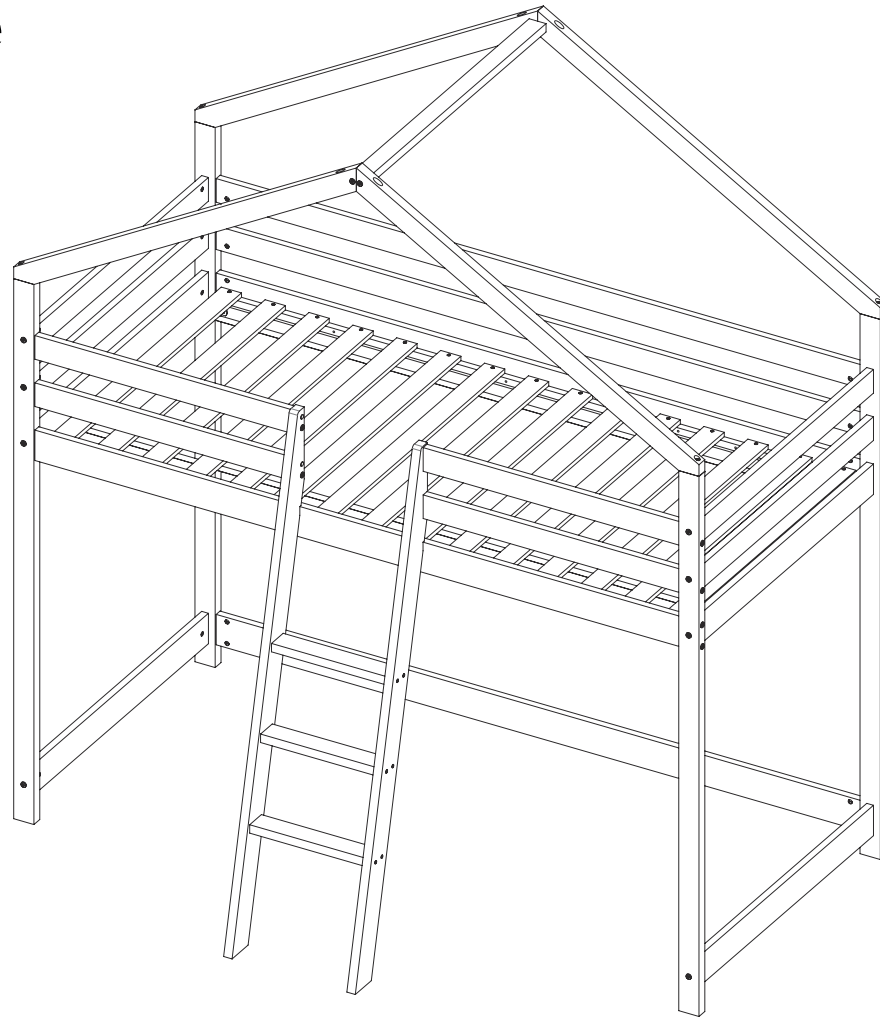



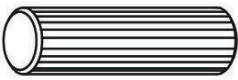


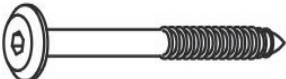


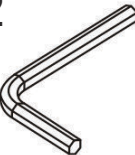

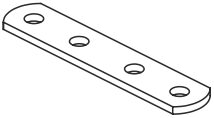


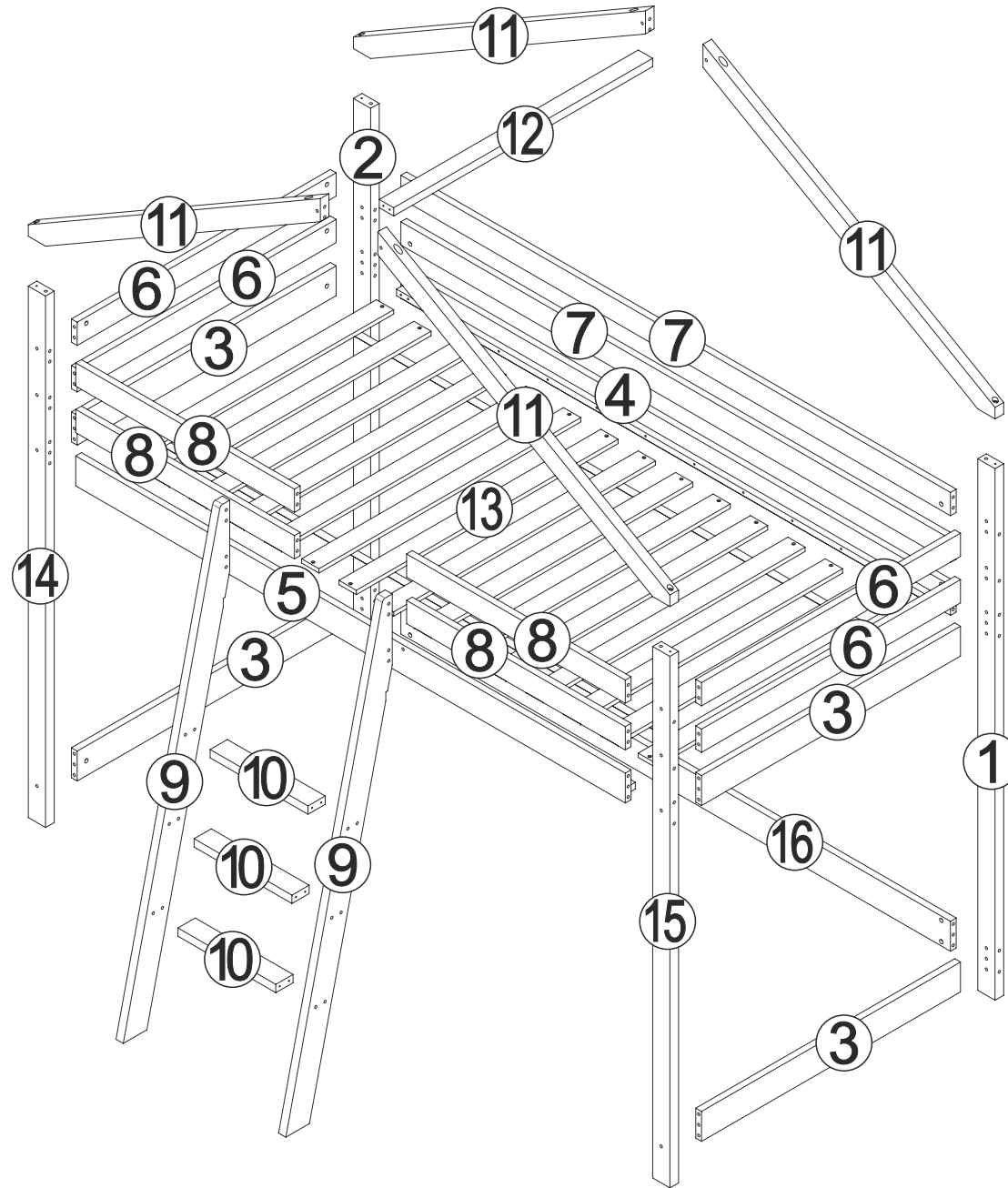
IMPORTANT – READ CAREFULLY – RETAIN FOR FUTURE REFERENCE

- A) **WARNING** – The upper bed of bunk beds are not suitable for children under six years old due to the risk of injury from falls.
- B) **WARNING** – Bunk beds can present a serious risk of injury from strangulation if not used correctly. Never attach or hang items to any part of the bunk bed that are not designed to be used with the bed, for example, but not limited to ropes, strings, cords, hooks, belts and bags.
- C) **WARNING** – children can become trapped between the bed and the wall, a roof pitch, the ceiling, adjoining pieces of furniture (e.g. cupboards) and the like. To avoid risk of serious injury the distance between the top safety barrier and the adjoining structure shall not exceed 75mm or shall be more than 230mm.
- D) **WARNING** – Do not use the bunk bed if any structural part is broken or missing.
- E) Always follow the manufacturer's instruction.
- F) Recommended size of mattress: upper bed: 90 x 190cm and lower bed: 90 x 190cm
- G) Maximum thickness of mattress 15cm.
- H) Periodically check and ensure that the guardrails, ladder, and other components are in their proper position, free from damage. Also, make sure the connectors are tight and secure.
- I) Ventilation of the room is necessary in order to keep the humidity low and to prevent mould in and around the bed
- J) This item meets the UK test standards

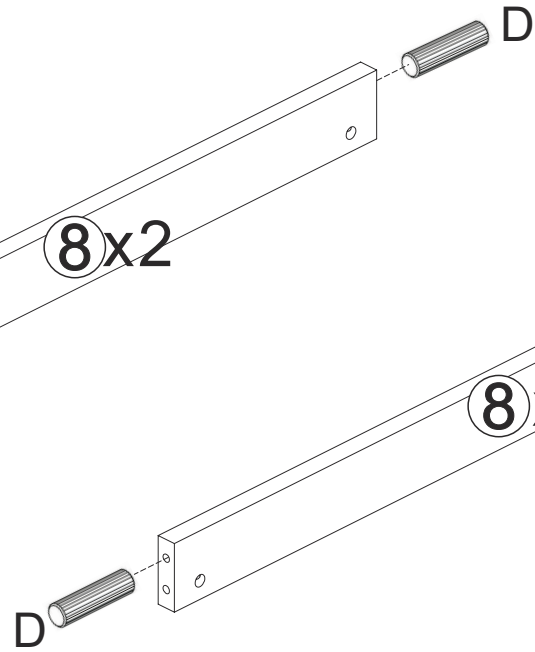
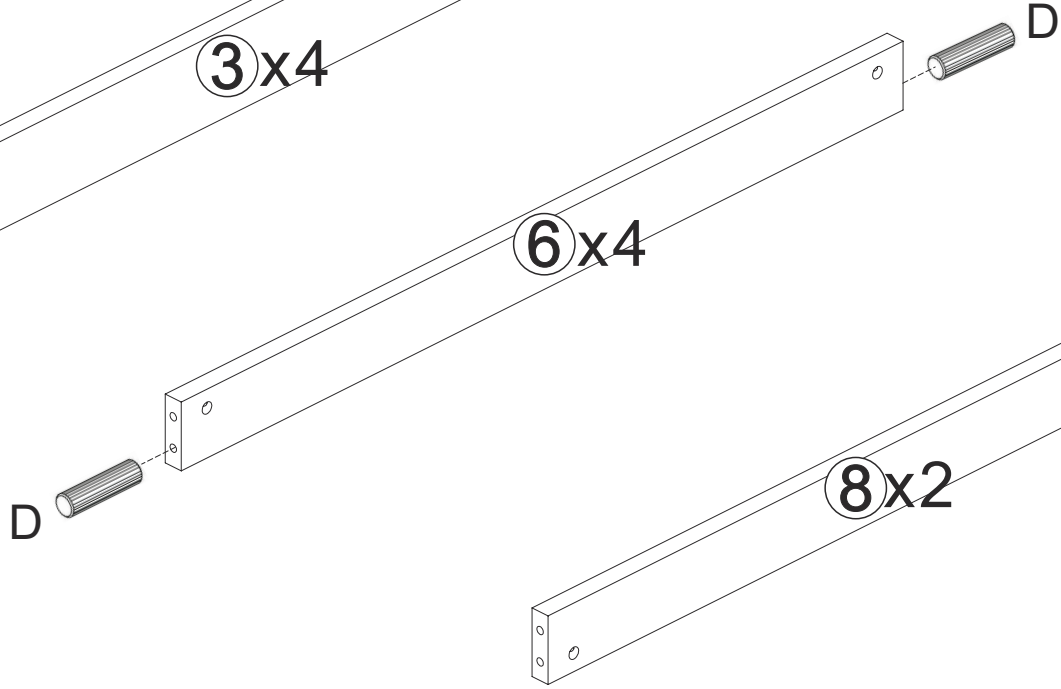
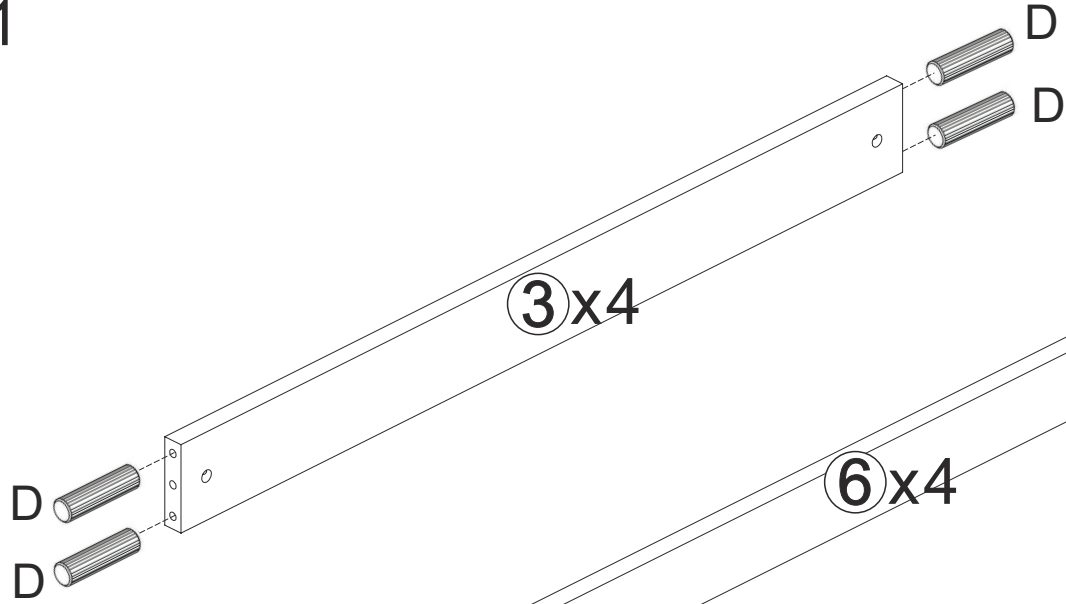
Flair Furniture Nook House Midsleeper




<p>A x20</p>  <p>M6x70mm</p>	<p>B x20</p>  <p>M6x100mm</p>	<p>C x40</p> 	<p>D x48</p>  <p>Φ8x30mm</p>	<p>E x2</p>  <p>M6x50mm</p>	<p>F x2</p> 
<p>G x8</p>  <p>Φ6x80mm</p>	<p>H x14</p>  <p>Φ7x60mm</p>	<p>J x34</p>  <p>Φ4x30mm</p>	<p>K x2</p> 	<p>L x4</p> 	<p>M x2</p> 

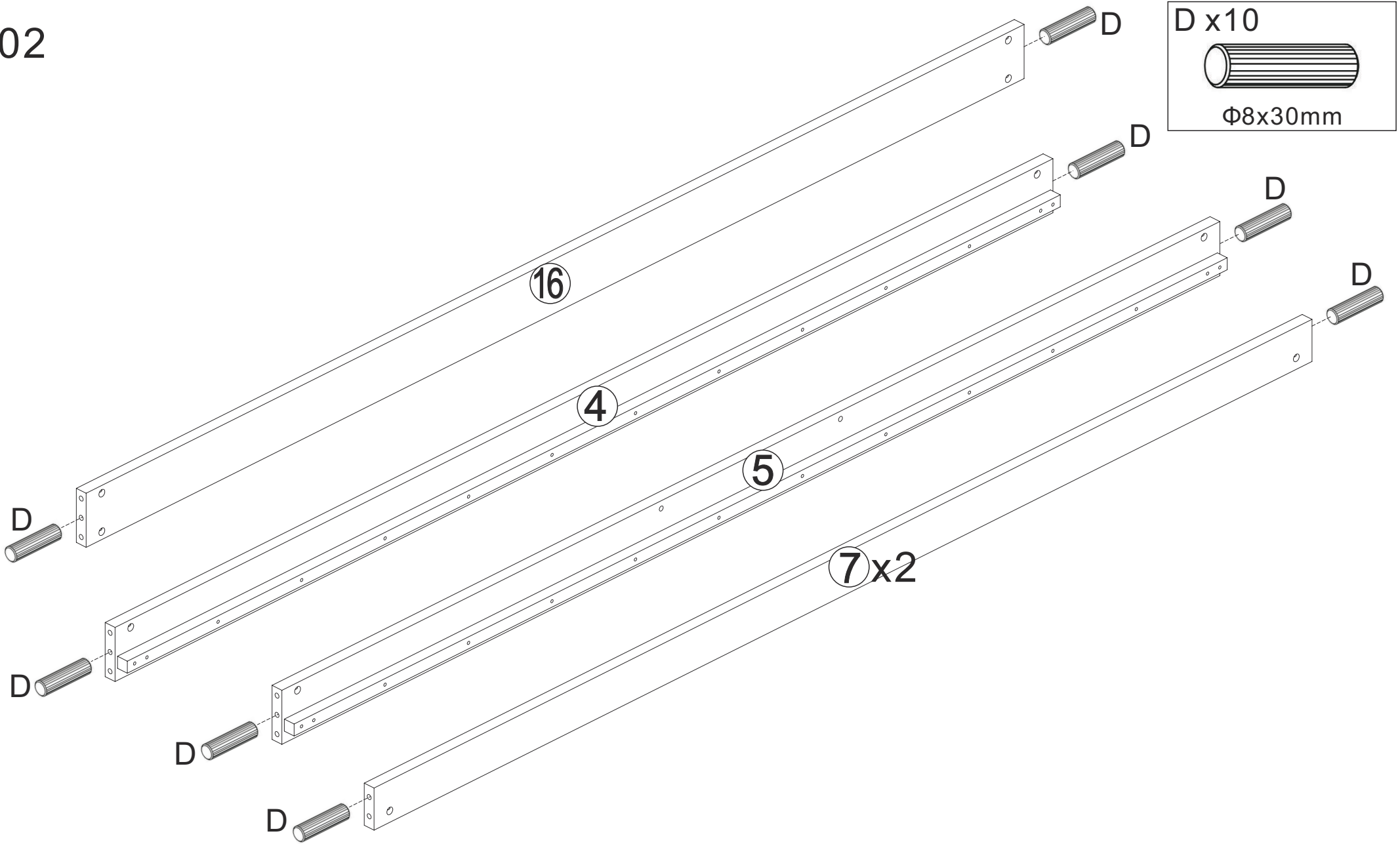


01

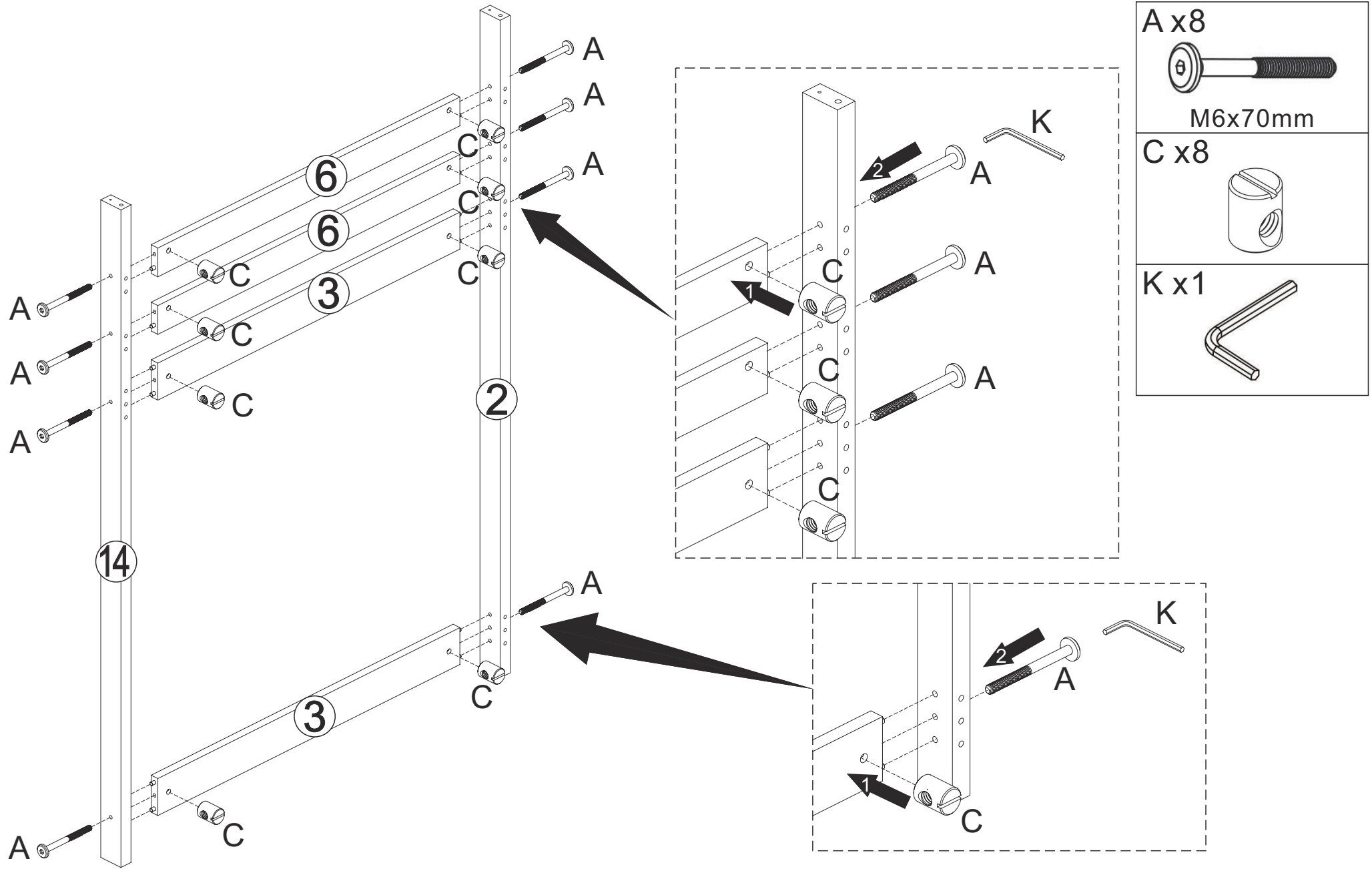


D x28

Φ8x30mm

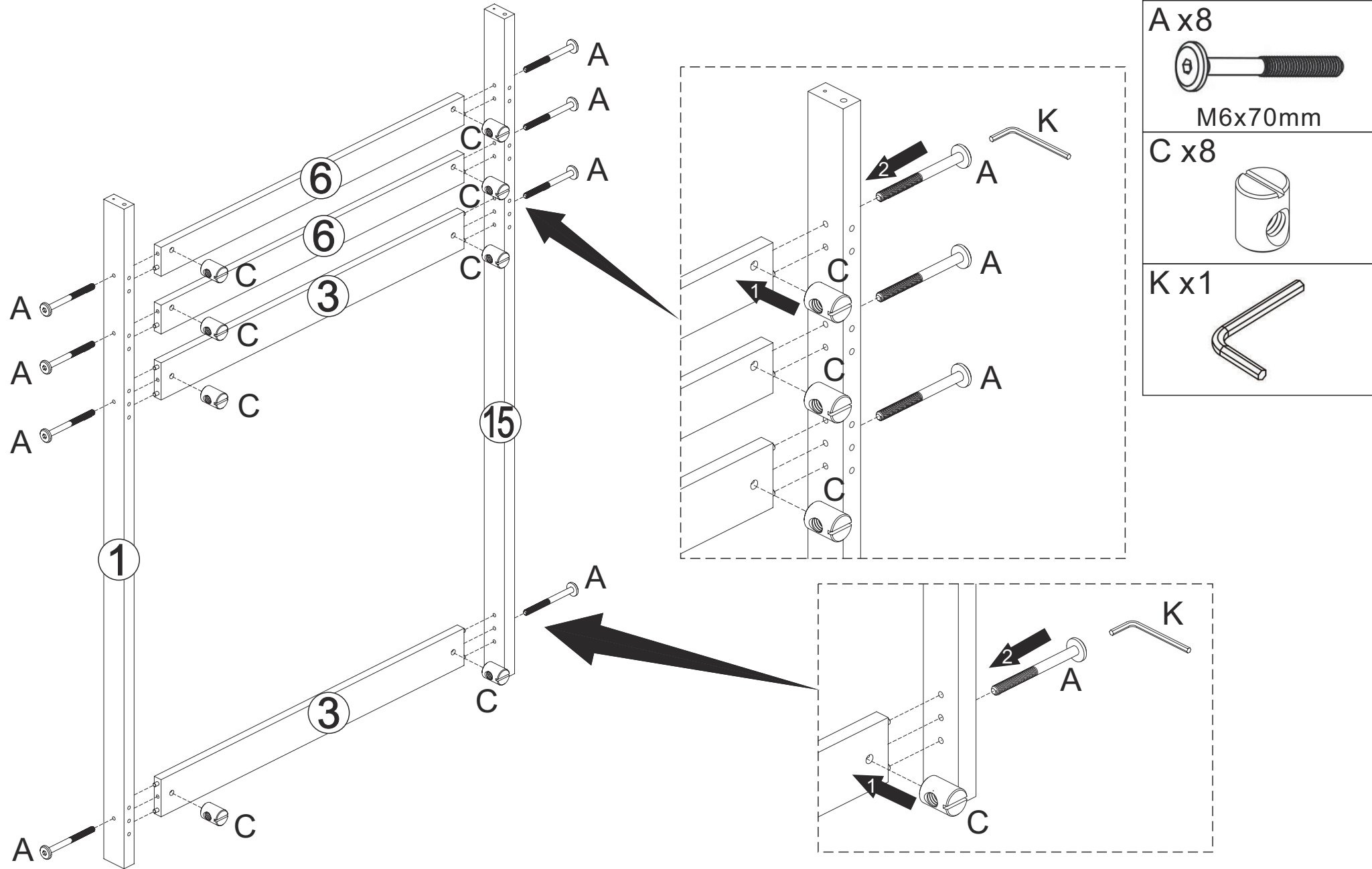
02



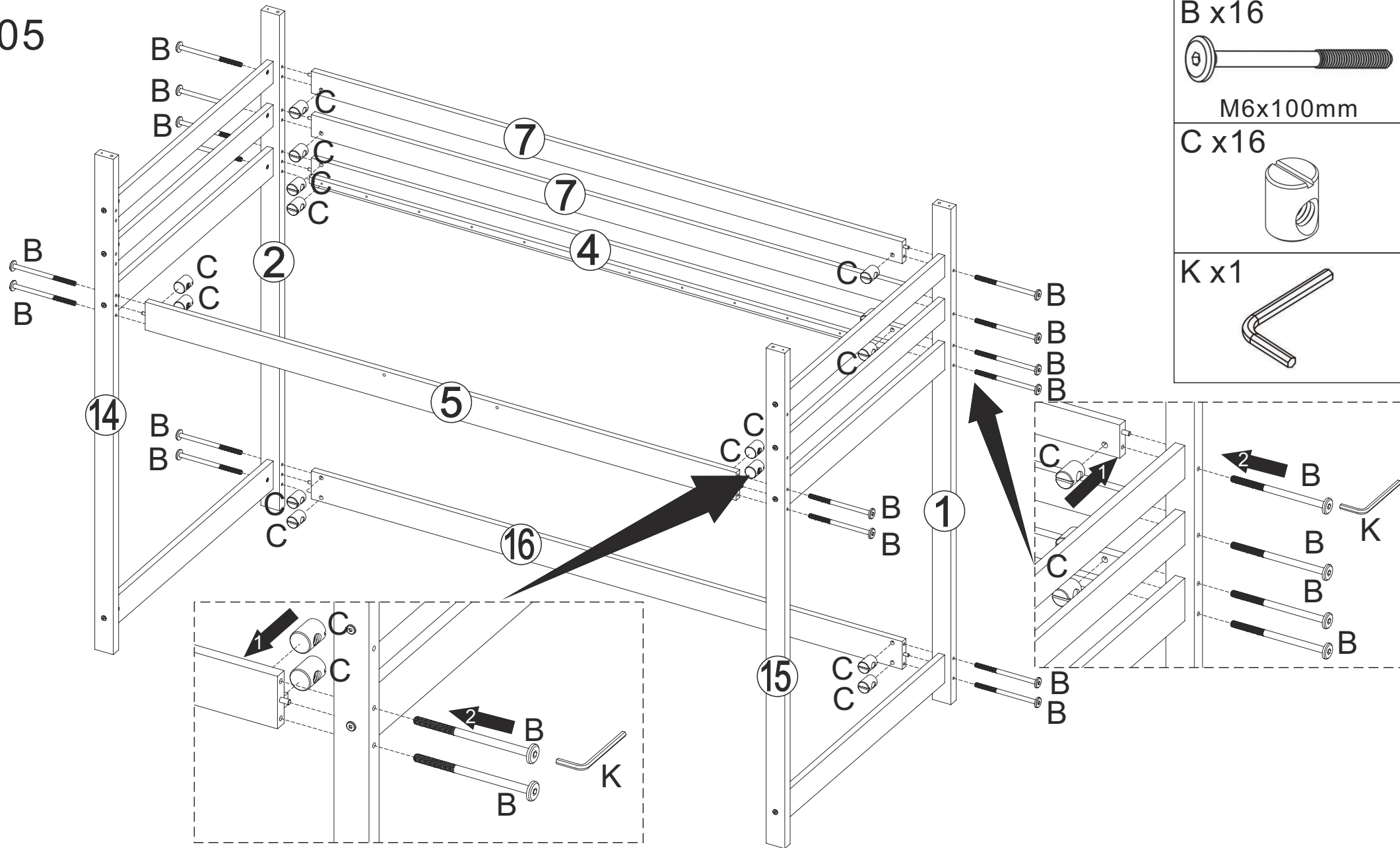
03



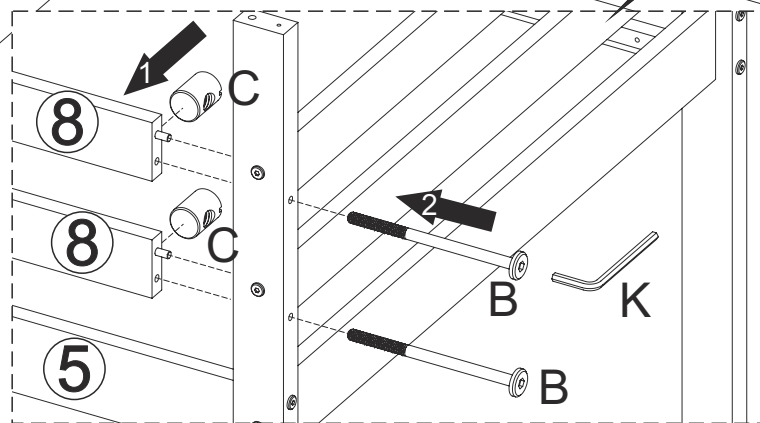
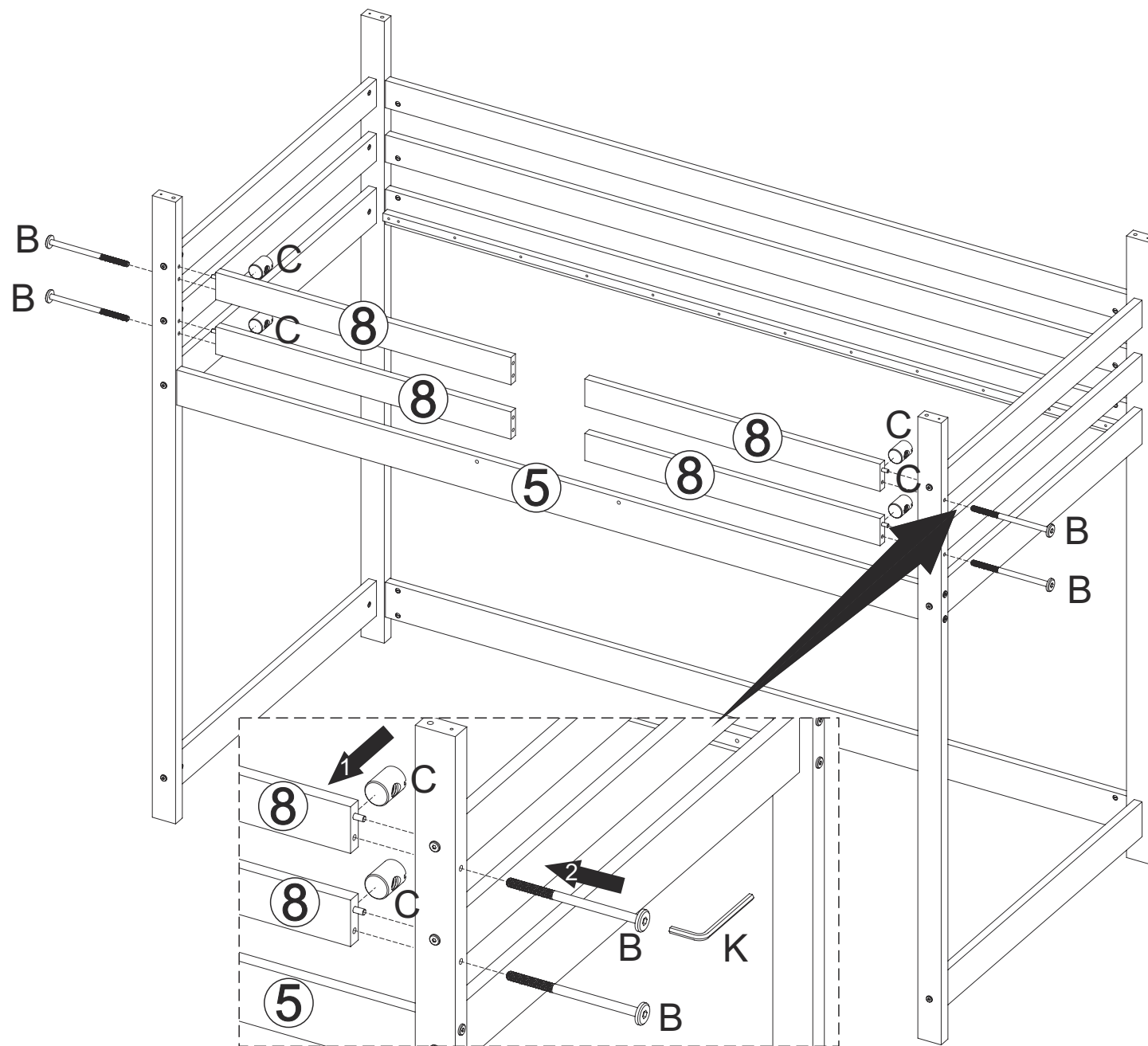
04



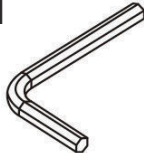


05

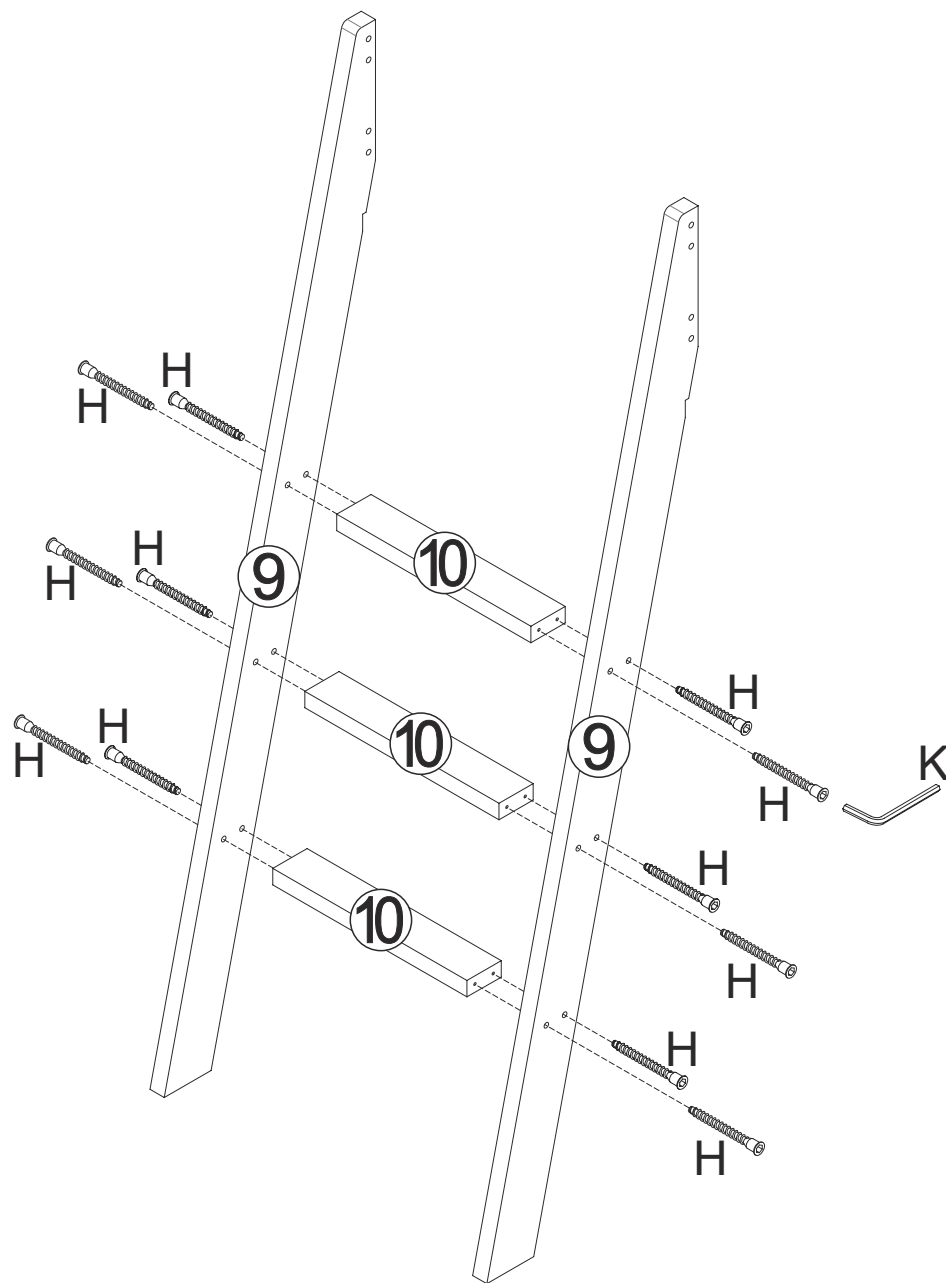



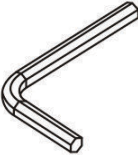
06



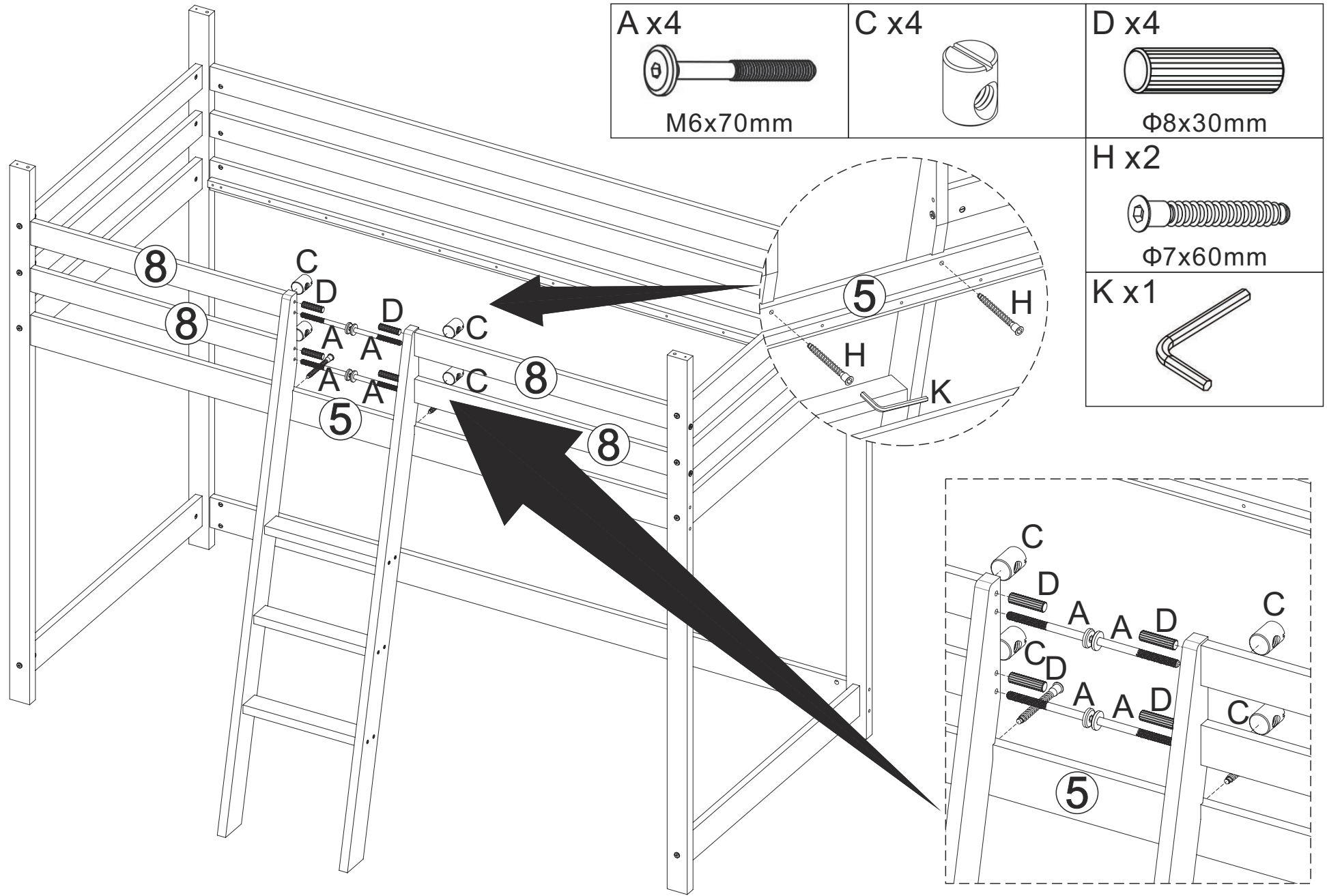
B x4

M6x100mm
C x4

K x1


07

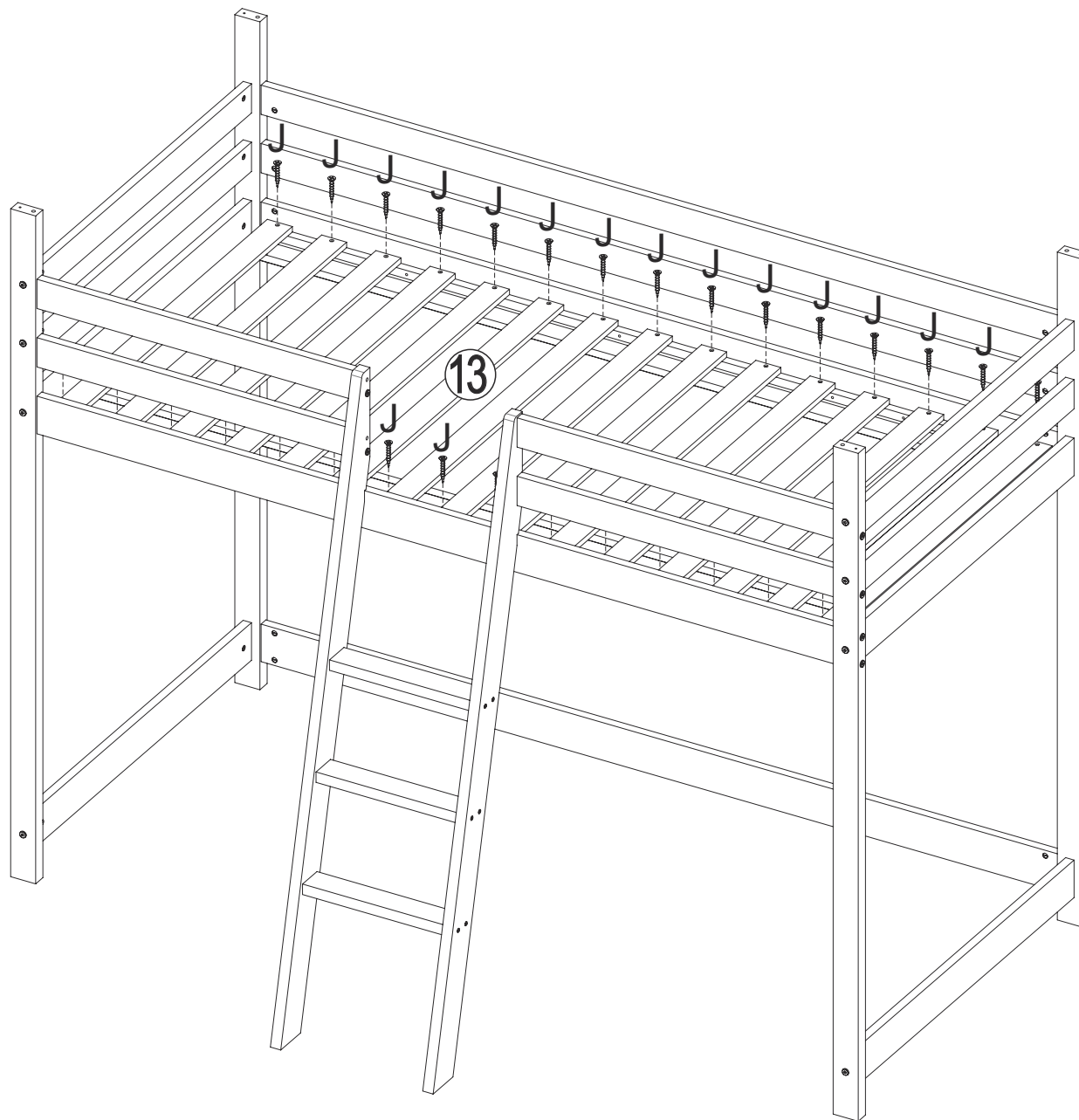


H x12

Φ7x60mm
K x1


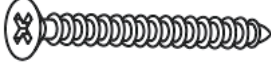
08



09



J x30

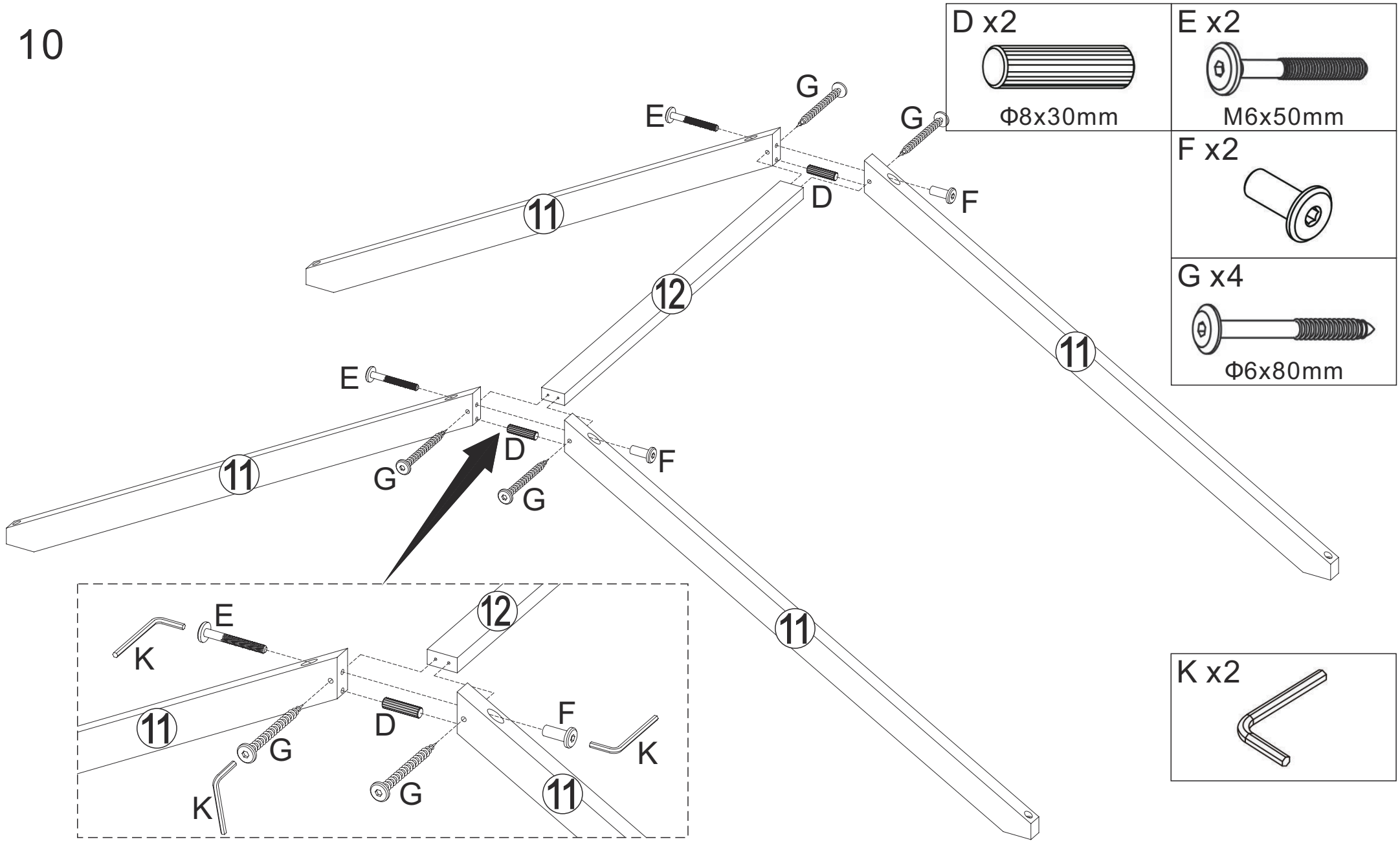


Φ4x30mm

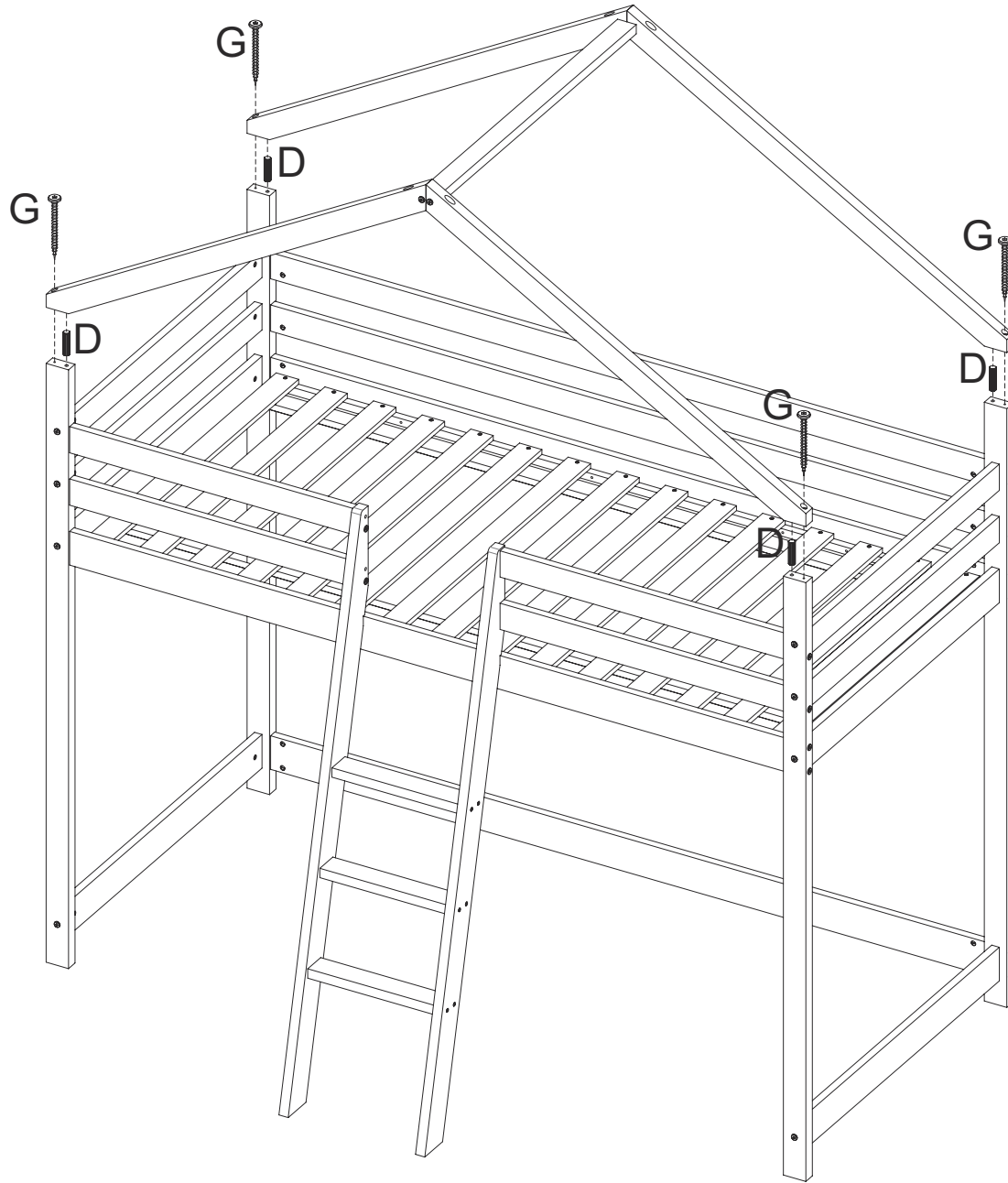
WARNING!


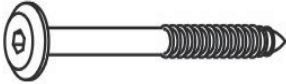
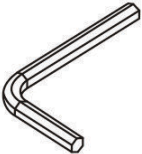
Press the middle of the bed sides
and tighten the screw first!!!

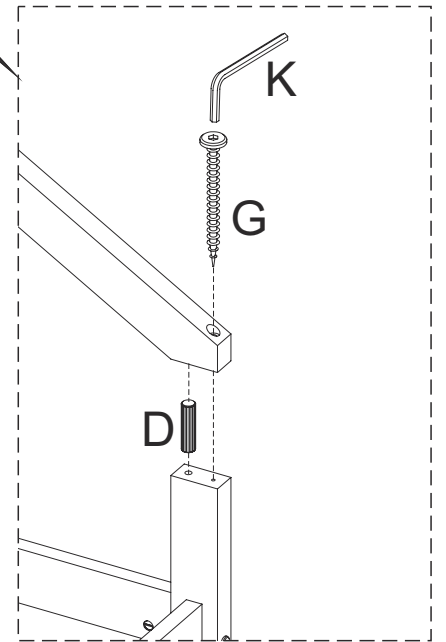
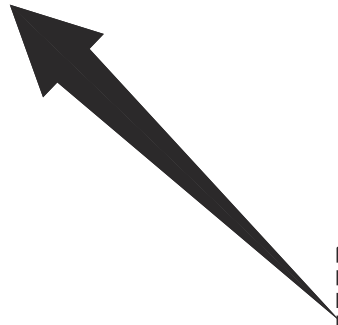
10



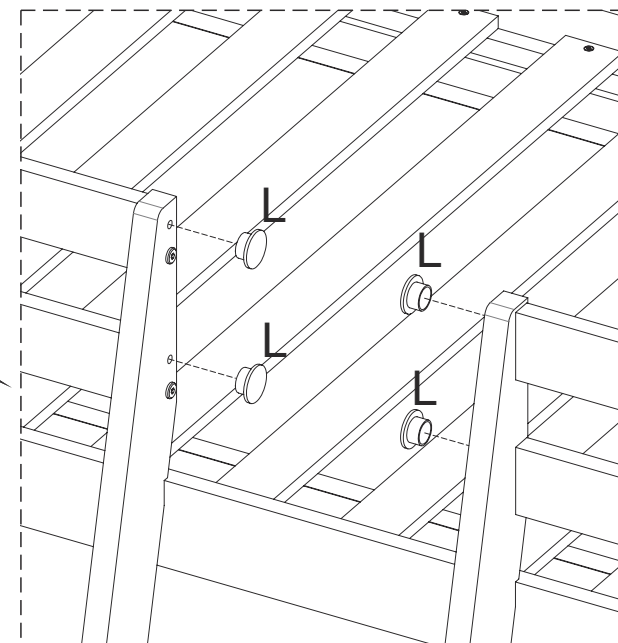
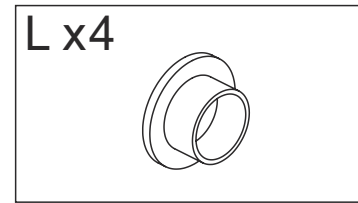
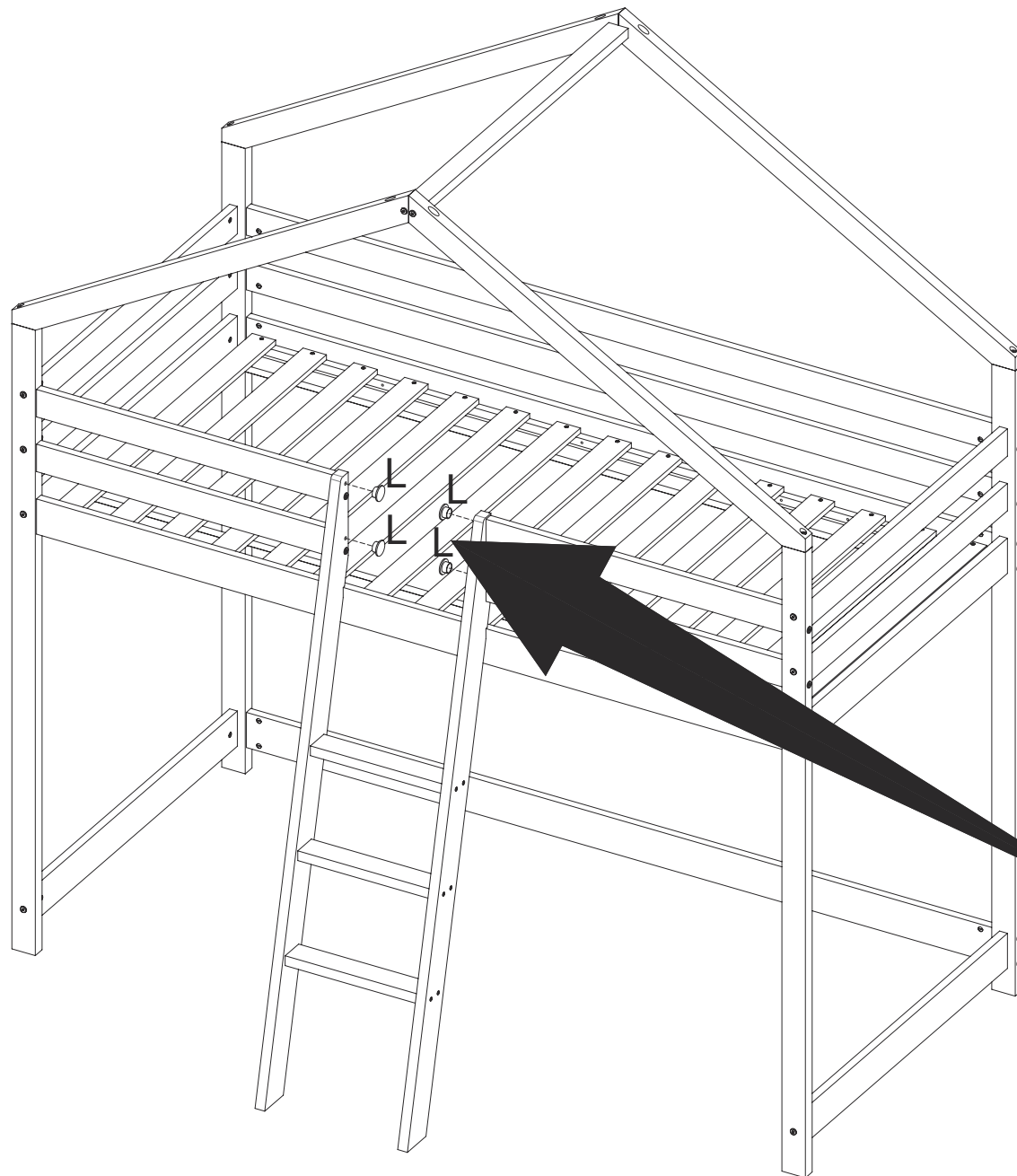
11



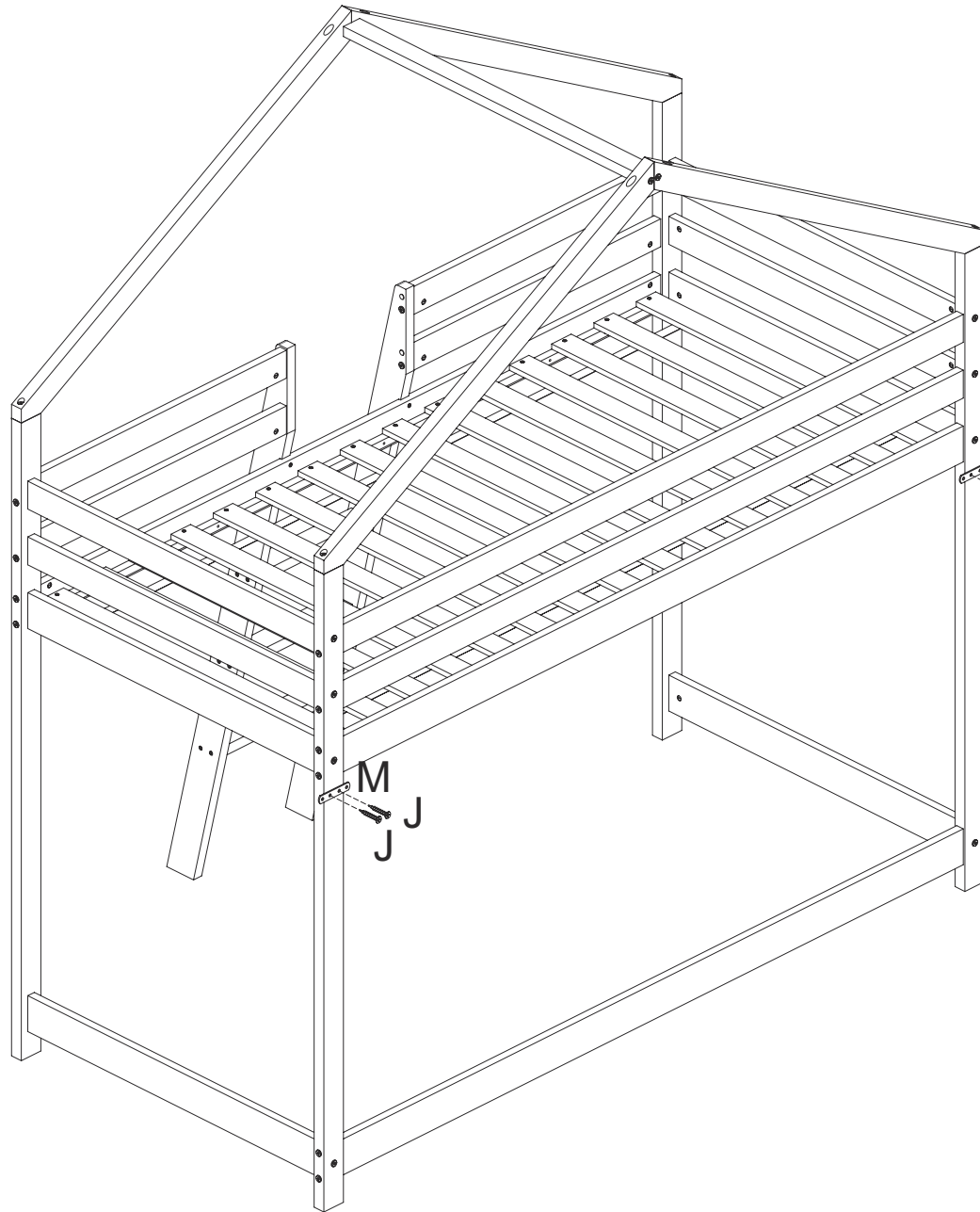
D x4

Φ8x30mm
G x4

Φ6x80mm
K x1


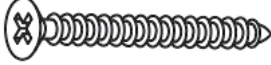


12



13



J x4

Φ4x30mm
M x2
