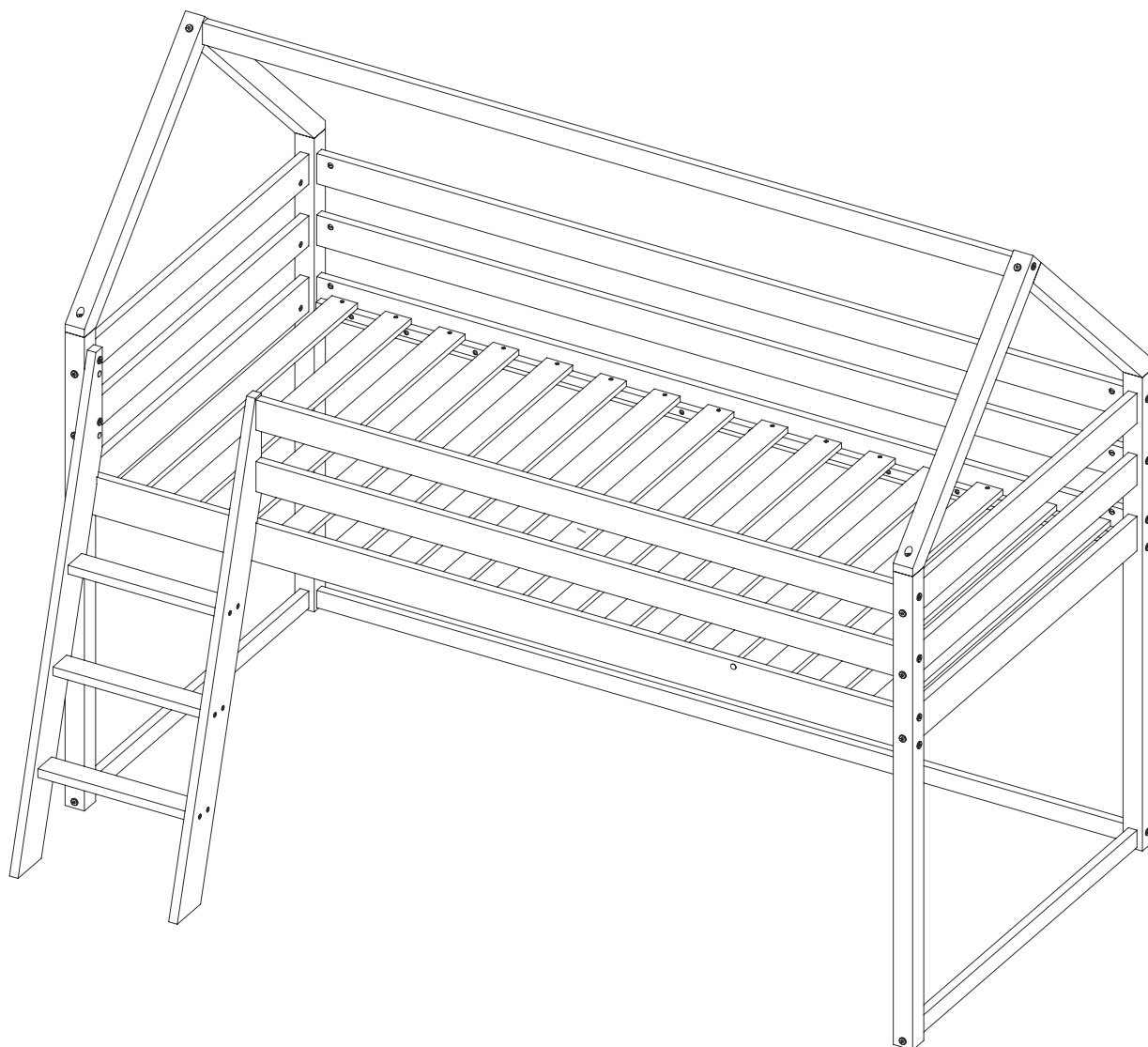
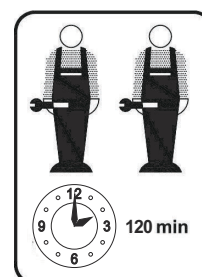


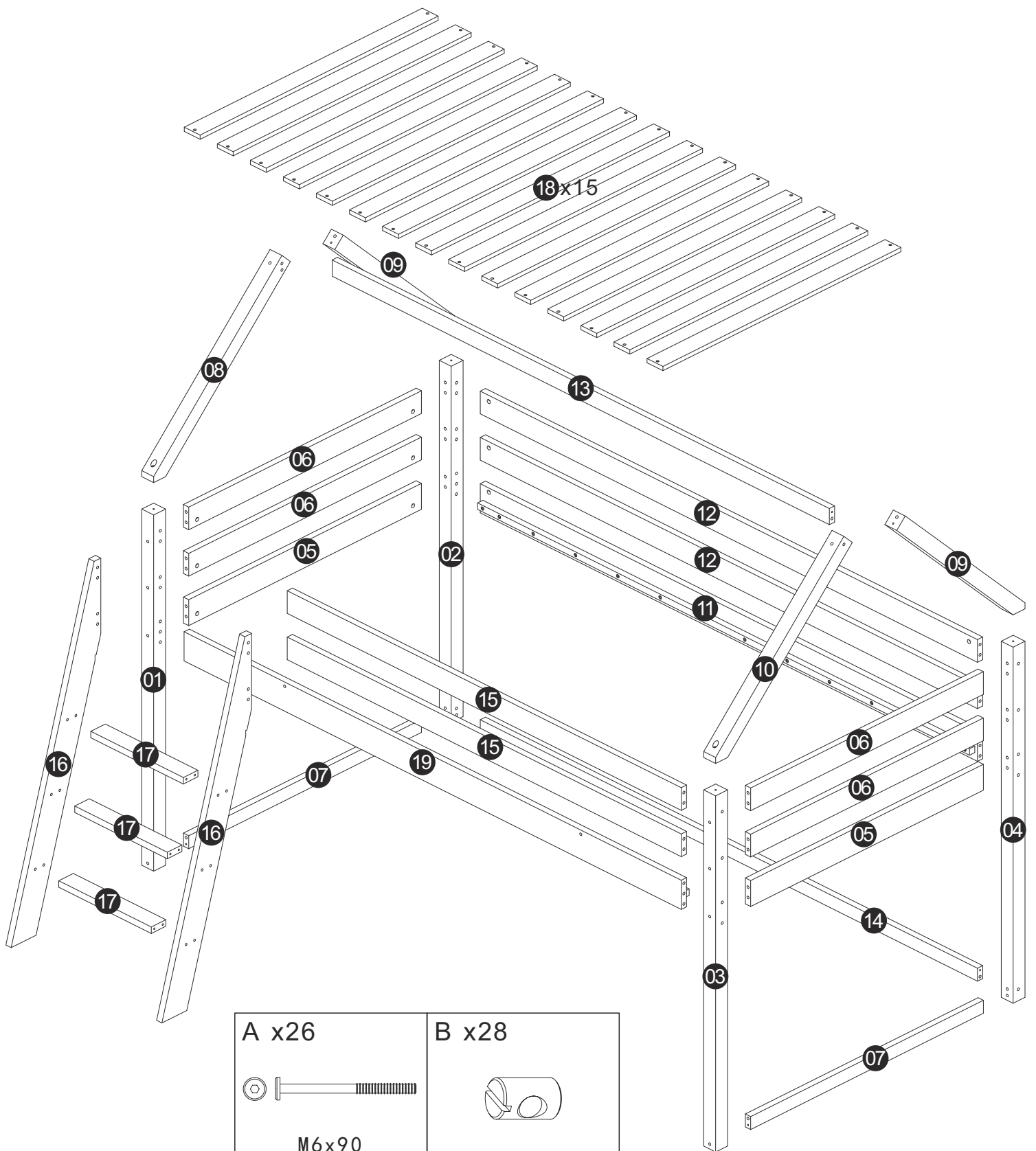
# ELI SINGLE BED

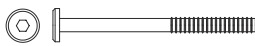



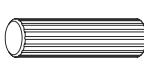
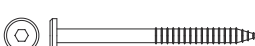
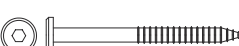

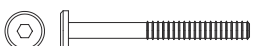





READ THE ASSEMBLY INSTRUCTIONS CAREFULLY. IDENTIFY THE ELEMENTS CONSTITUING YOUR PIECE OF FURNITURE. GROUP AND CHECK THE HARDWARE FITTINGS. GET THE TOOLS NEEDED. CLEAR SPACE TO WORK. PROCEED TO ASSEMBLE

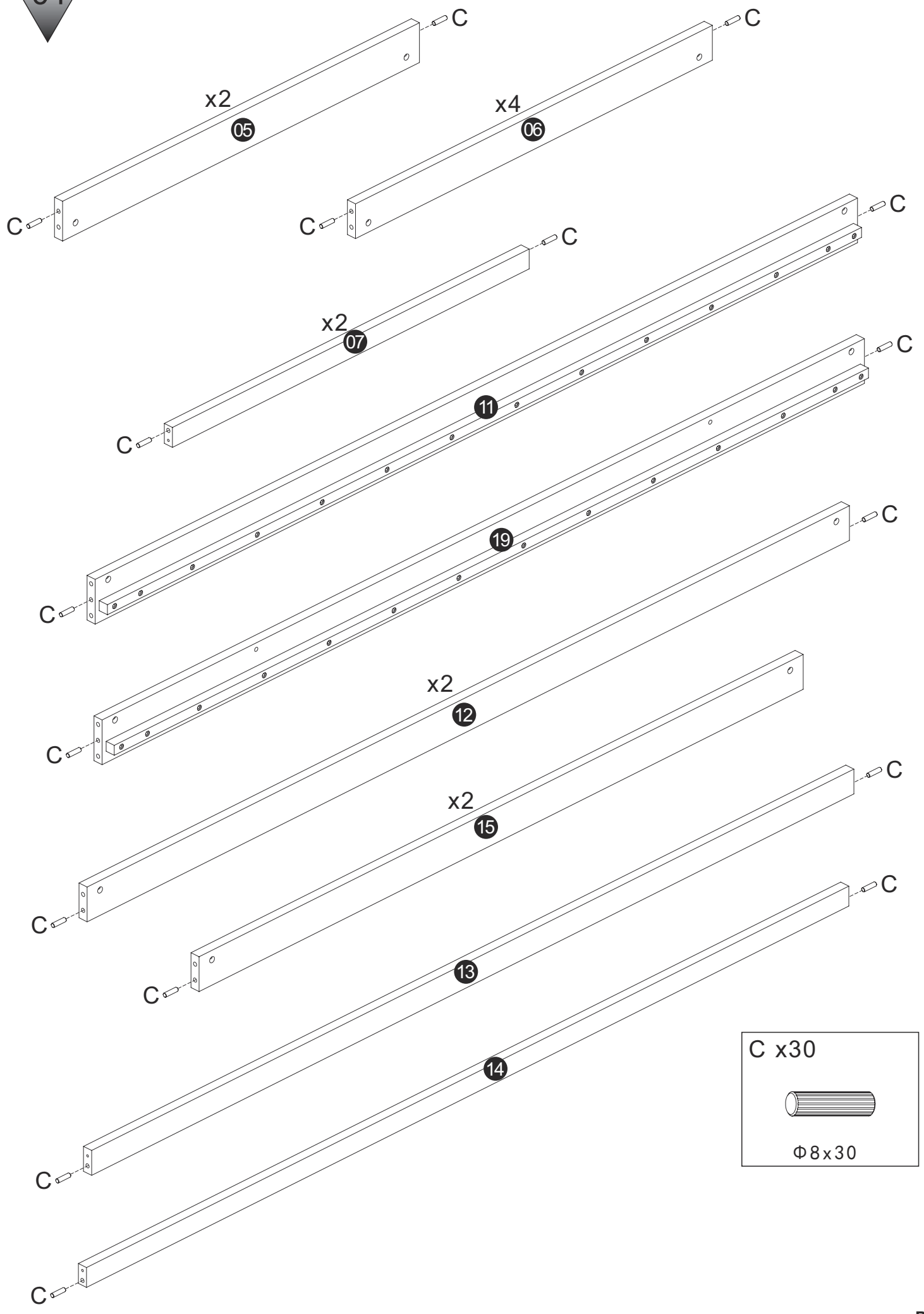
NEVER FORCE THE FITTINGS. TIGHTEN THE SCREW AFTER USING FOR SOMETIME. KEEP YOUR ASSEMBLY INSTRUCTIONS, IT COULD HELP FOR BETTER COMMUNICATION WITH YOUR STORE. IN THE EVENT OF QUERY.






<p>A x26</p>  <p>M6x90</p>	<p>B x28</p> 
---	--

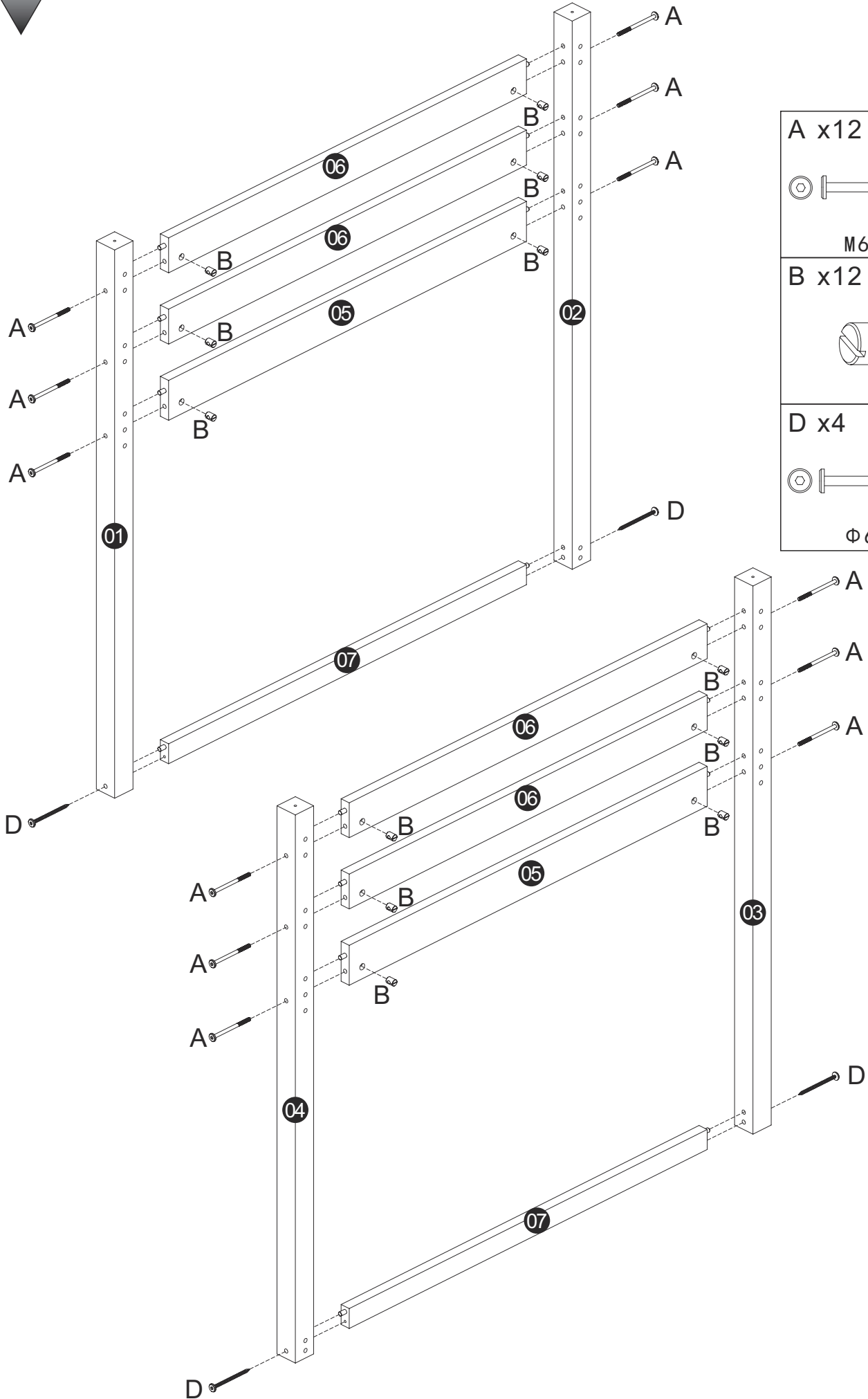
<p>C x36</p>  <p>Φ8x30</p>	<p>D x10</p>  <p>Φ6x90</p>	<p>E x5</p>  <p>Φ6x70</p>	<p>F x12</p>  <p>Φ7x60</p>	<p>G x2</p>  <p>M6x60</p>
<p>H x2</p> 	<p>J x30</p>  <p>Φ3x30</p>	<p>K x5</p> 	<p>L x2</p> 	<p>M x2</p>  <p>M6x55</p>

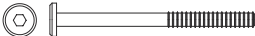




C x30

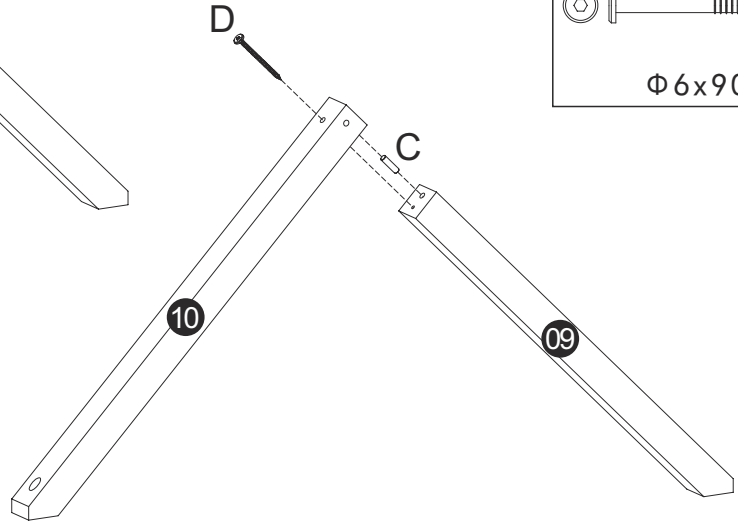
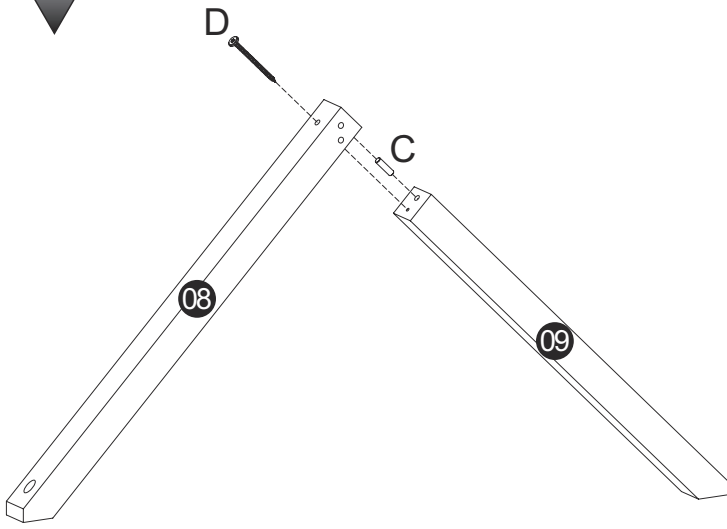



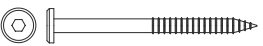
Φ8x30



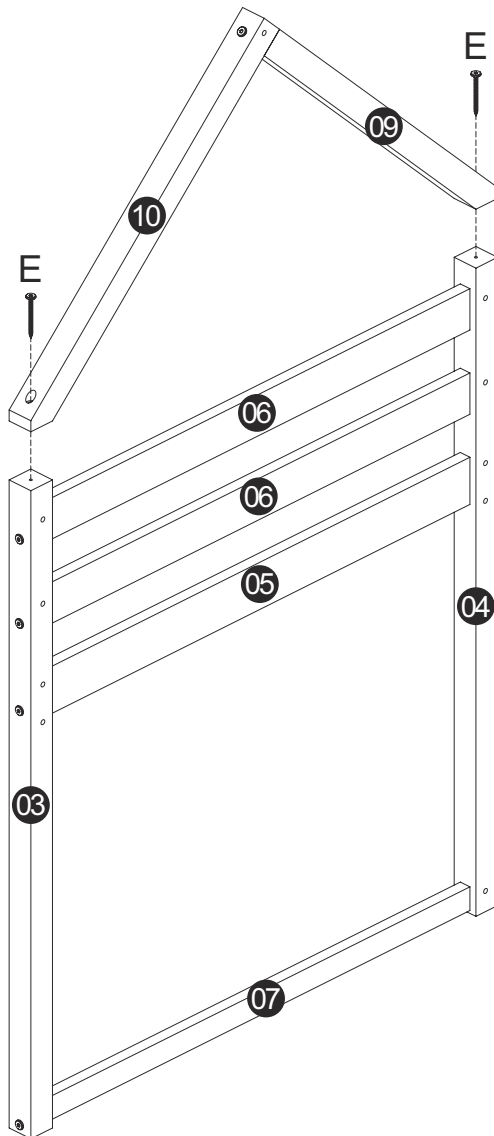
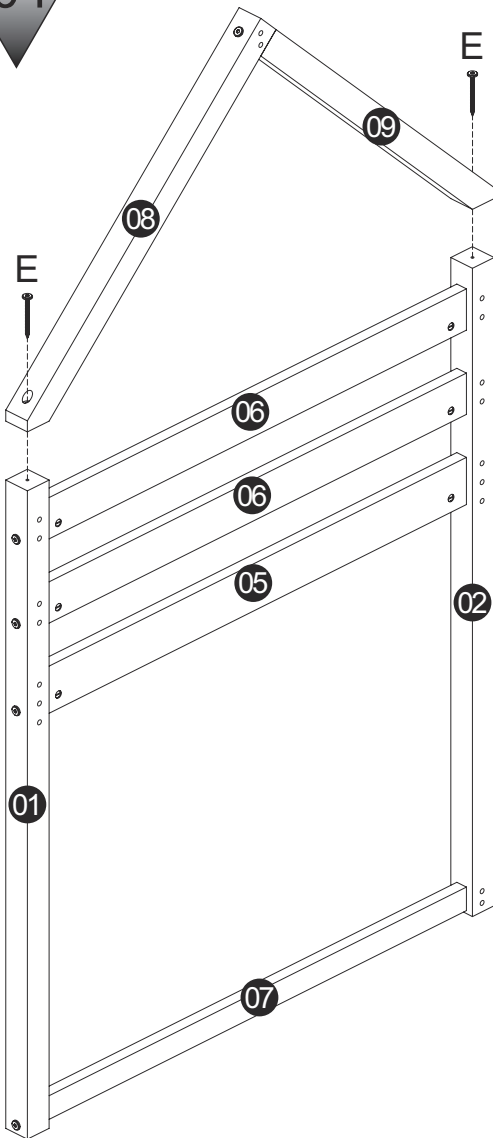
A x12

M6x90
B x12

D x4

Φ6x90


03

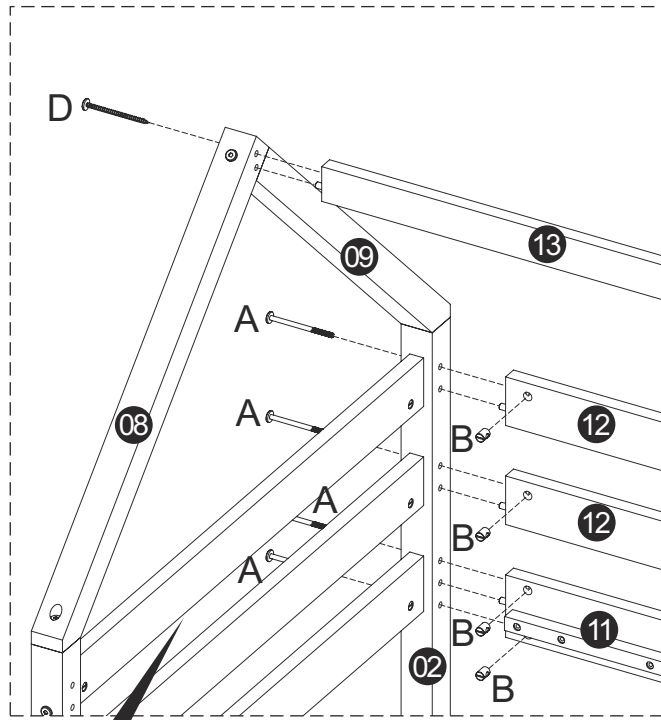


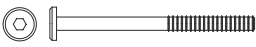


C x2

$\Phi 8 \times 30$
D x2

$\Phi 6 \times 90$

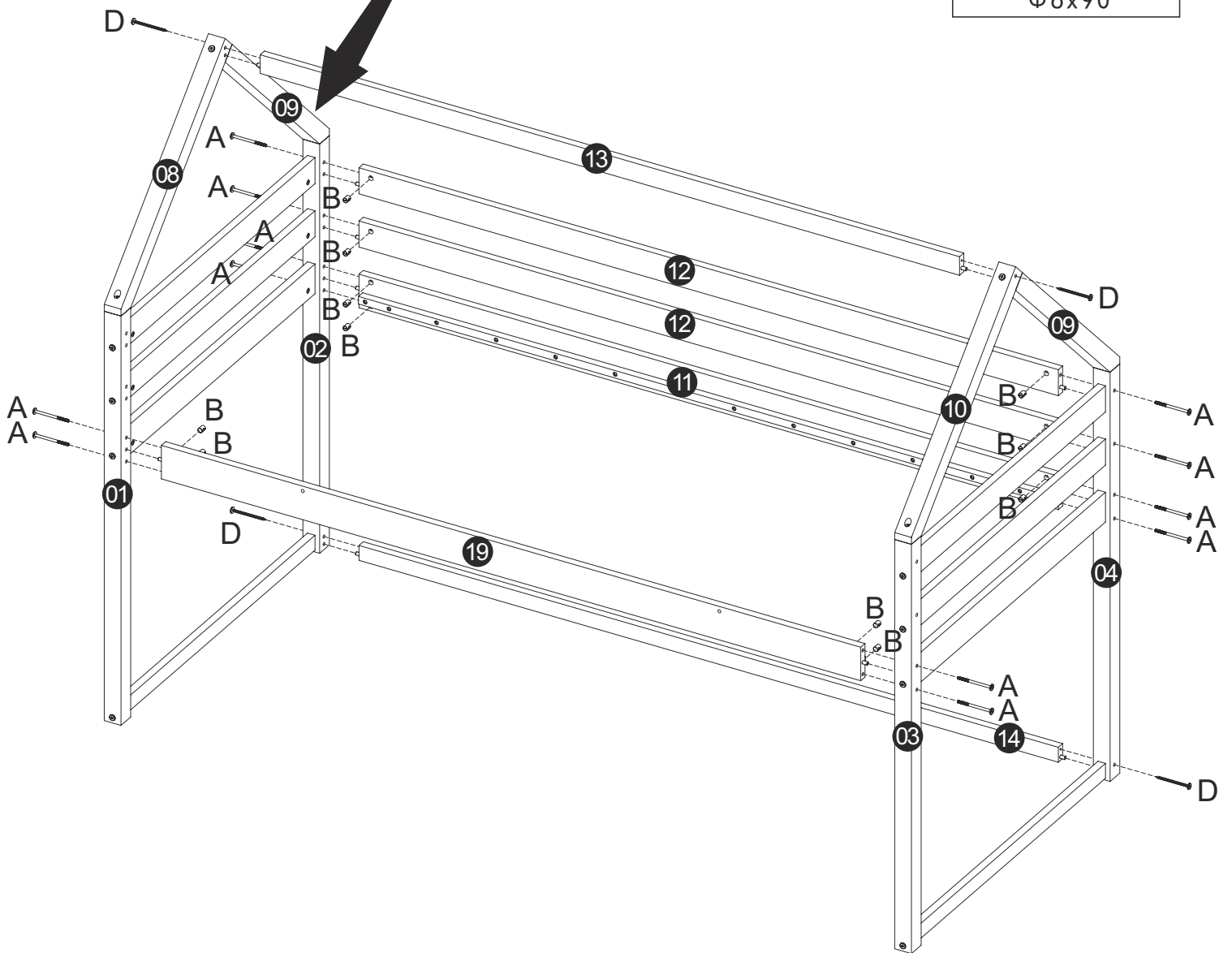
04

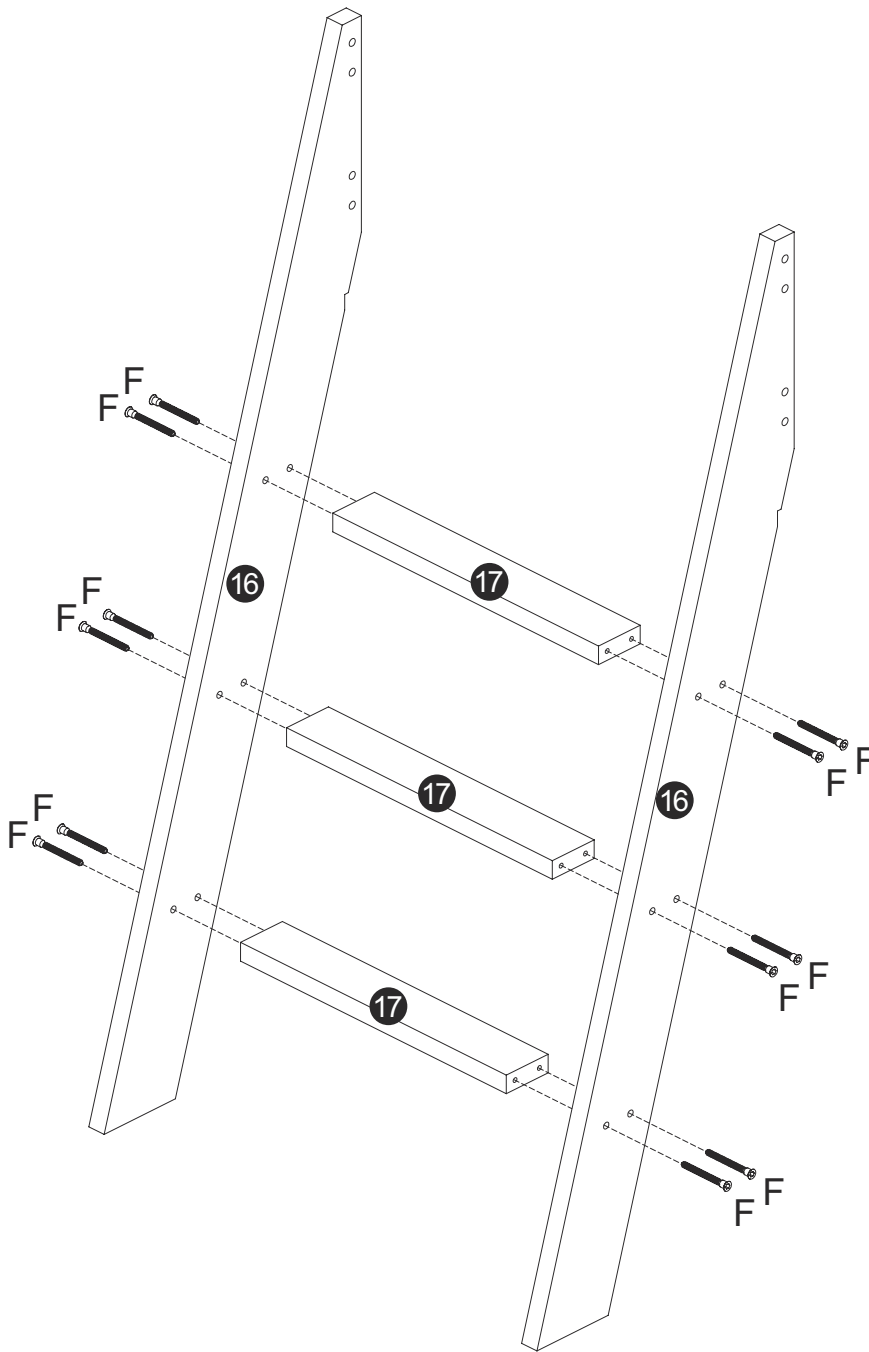
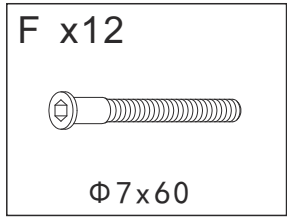


E x4

$\Phi 6 \times 70$



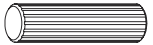
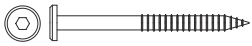

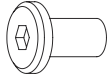
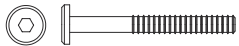


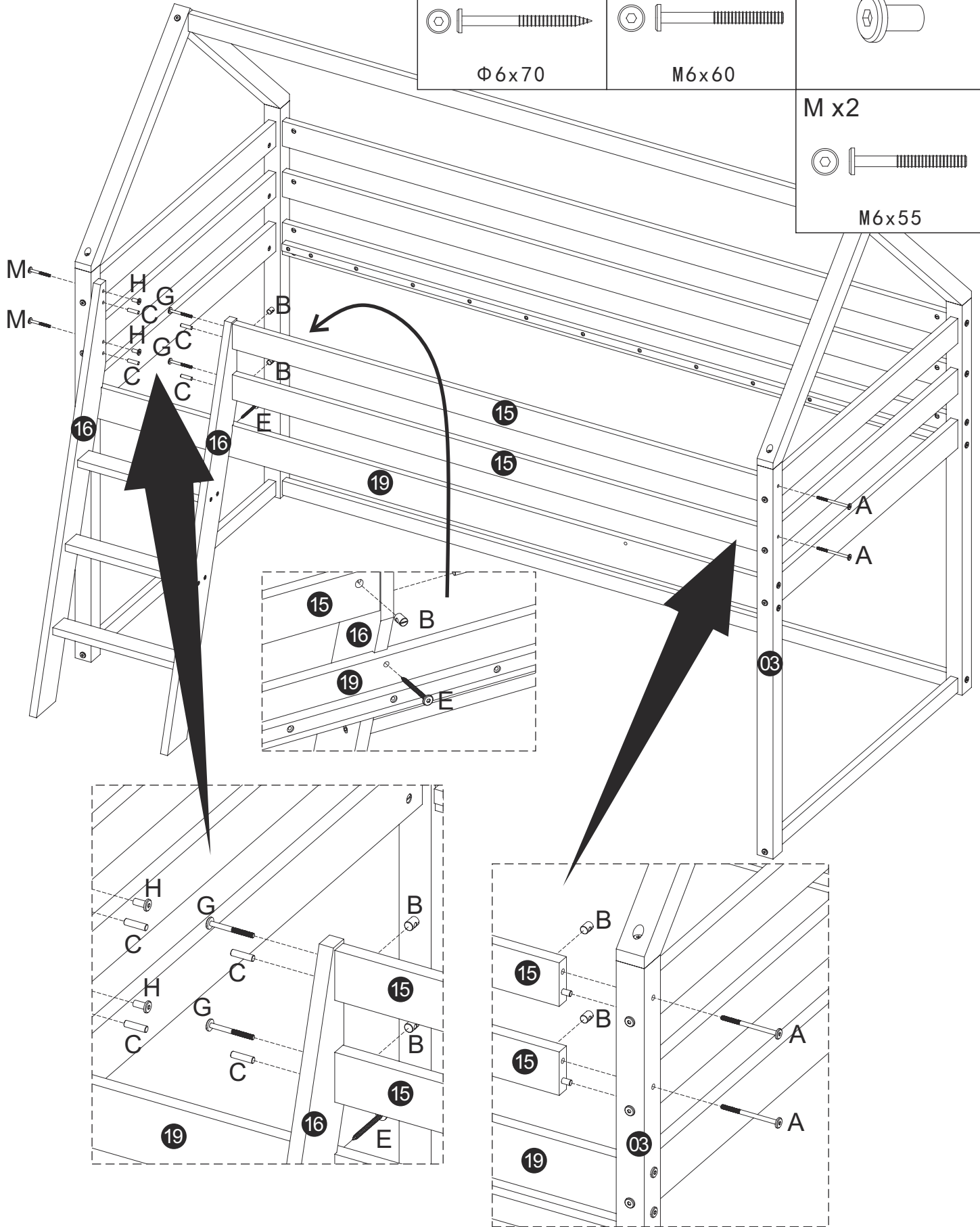
A x12

M6x90
B x12

D x4

Φ6x90







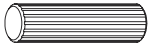
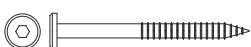
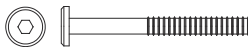
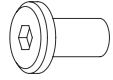
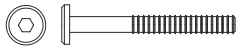
07 TYPE A

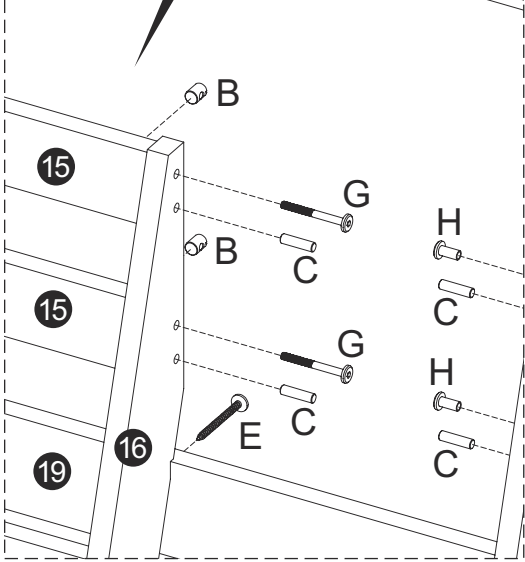
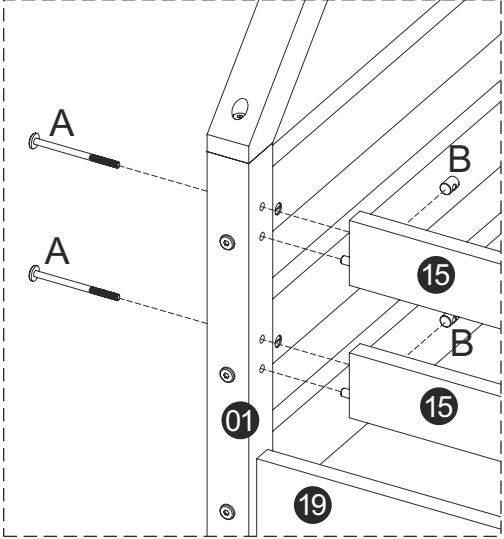
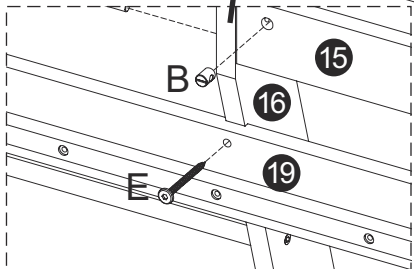
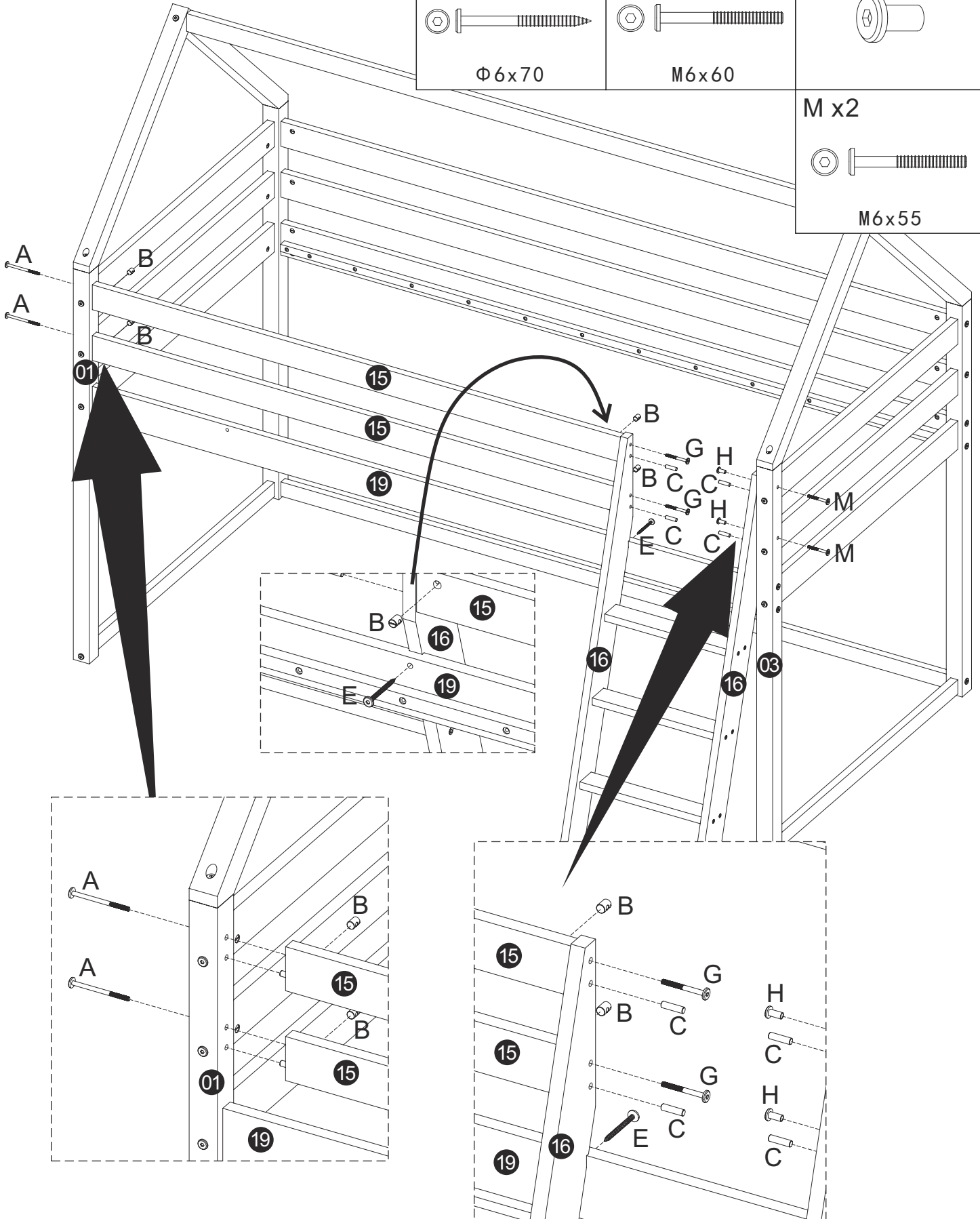
<p>A x2</p>  <p>M6x90</p>	<p>B x4</p> 	<p>C x4</p>  <p>Φ8x30</p>
<p>E x1</p>  <p>Φ6x70</p>	<p>G x2</p>  <p>M6x60</p>	<p>H x2</p> 
<p>M x2</p>  <p>M6x55</p>		





# 07 TYPE B

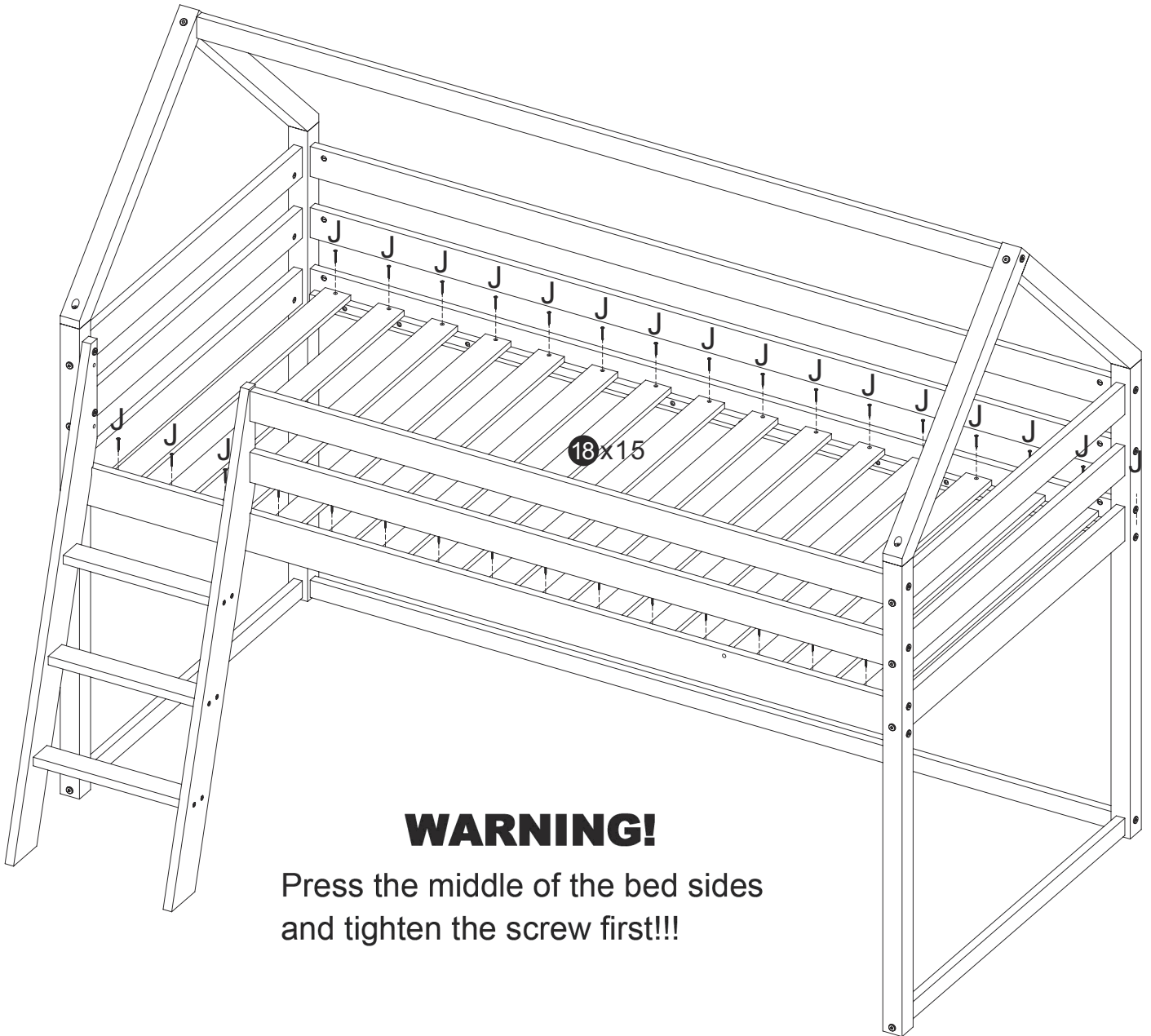
<p>A x2</p>  <p>M6x90</p>	<p>B x4</p> 	<p>C x4</p>  <p>Φ8x30</p>
<p>E x1</p>  <p>Φ6x70</p>	<p>G x2</p>  <p>M6x60</p>	<p>H x2</p> 
<p>M x2</p>  <p>M6x55</p>		



J x30



Φ3x30

**WARNING!**

Press the middle of the bed sides  
and tighten the screw first!!!

