

Thank you for purchasing this product. Please read the instructions and warning carefully before use to ensure safe and satisfactory operation of this product. Keep these instructions for future reference.



The safety clips or cleats must be positioned high enough to be out of reach of small children. In all cases the distance from the floor to the bottom of the cord and cleats must be at least 1.5 m. The head rail shall not be installed less than 1.5m from the floor.

All safety clips for blinds need to be fixed to a solid surface using a screw and fixing suitable for the wall or surface material. These items should not be glued.

Small Parts can present a choking hazard if accidentally swallowed. Keep small parts away from young children.

We do not recommend that roman blinds are cut to size.

Ensure that all wall plugs and screws provided are suitable for your type of wall/window. If in doubt, consult a professional.

## KIT CONTENT

Please note that this is the minimum kit content. For wider width blinds, there will be additional brackets, screws and wall plugs.



Blind with fitted head rail x1



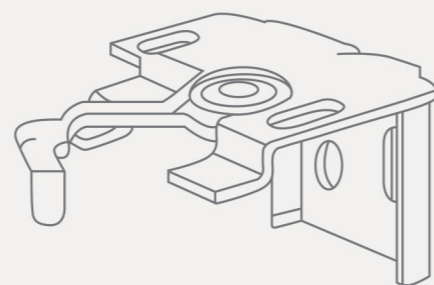
Screws x 6



Wall plugs x 6



Safety Device (Cleat)



Fixing Brackets x 2

## TOOLS REQUIRED

Take care when using the tools. Wear gloves and eye protection.



Pencil



Ruler/tape measure



Drill

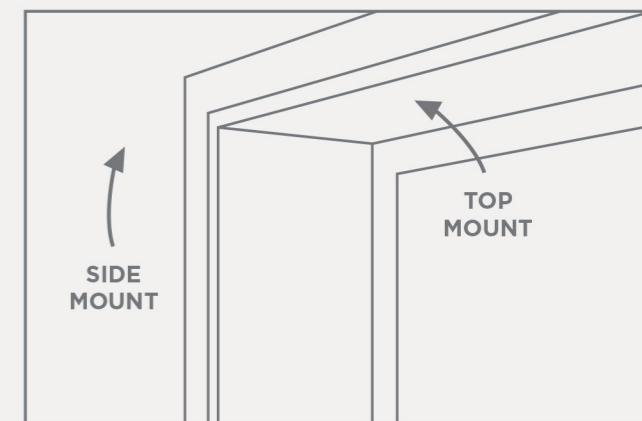
## CARE ADVICE

Wipe clean only

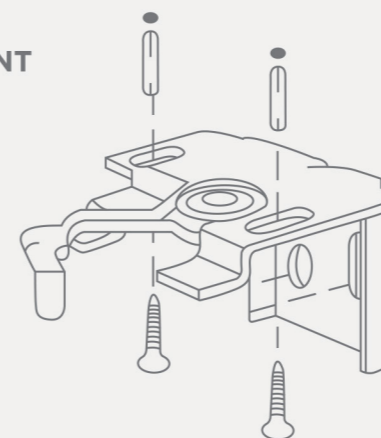
## FITTING THE BRACKETS

The brackets can be fixed top or side mounted as shown. Place the blind bracket at least 8cm inside from the end of the head rail. Mark screw holes then screw in place the brackets. For large blinds that require three brackets, the third bracket should be placed in between the two other brackets.

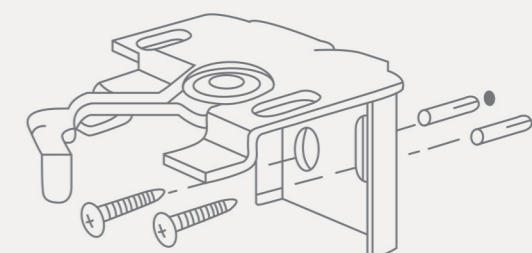
The brackets can be fixed inside or outside your window recess. A top mount is used to fix inside to the 'ceiling' of the window recess and the side mount outside onto the window frame or wall as shown.



### TOP MOUNT

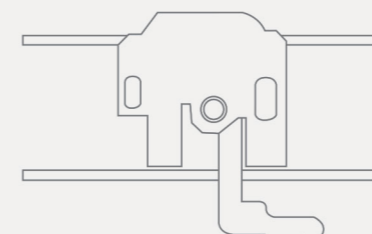


### SIDE MOUNT

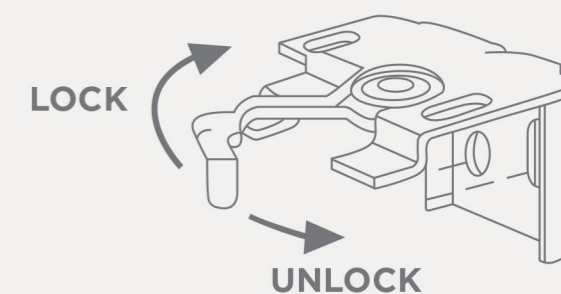
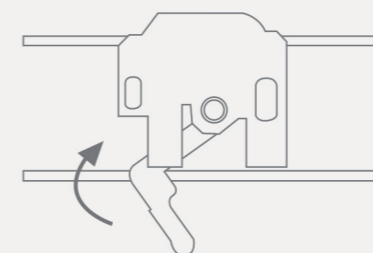


## FITTING THE BLIND

1. Making sure the swing arm on the bracket is in the unlock position, then place the head rail onto brackets so the outer lip of the head rail is resting on the two projections.



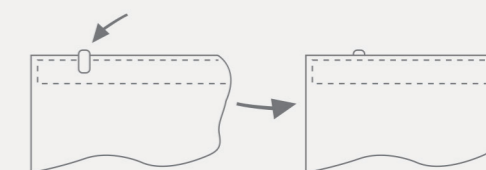
2. Turn the swing arm on the bracket to the locked position to secure the head rail to the bracket.



LOCK

UNLOCK

3. Gently pull back the fabric from underneath the swing arm to conceal from view.



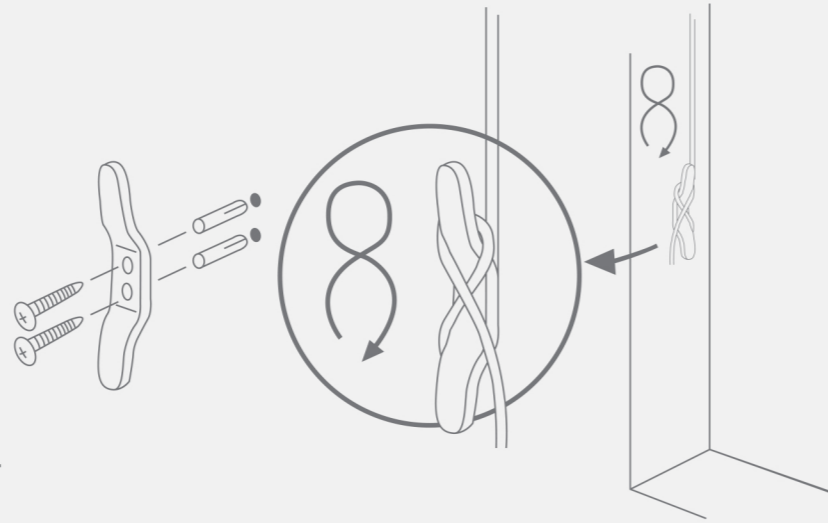
### FITTING THE CHILD SAFETY DEVICE (CLEAT)

The safety device (cleat) must be installed as close to the head rail as possible and, in all cases, no less than 1.5m from the floor.

Children can strangle if this safety device is not installed. Always use this device to keep cords or chains out of reach of children.

Ensure all cords are fully wrapped around the safety device provided (cleat). Whenever the blind is not being operated.

There must not be any length of cord available for a small child to wrap around their neck.



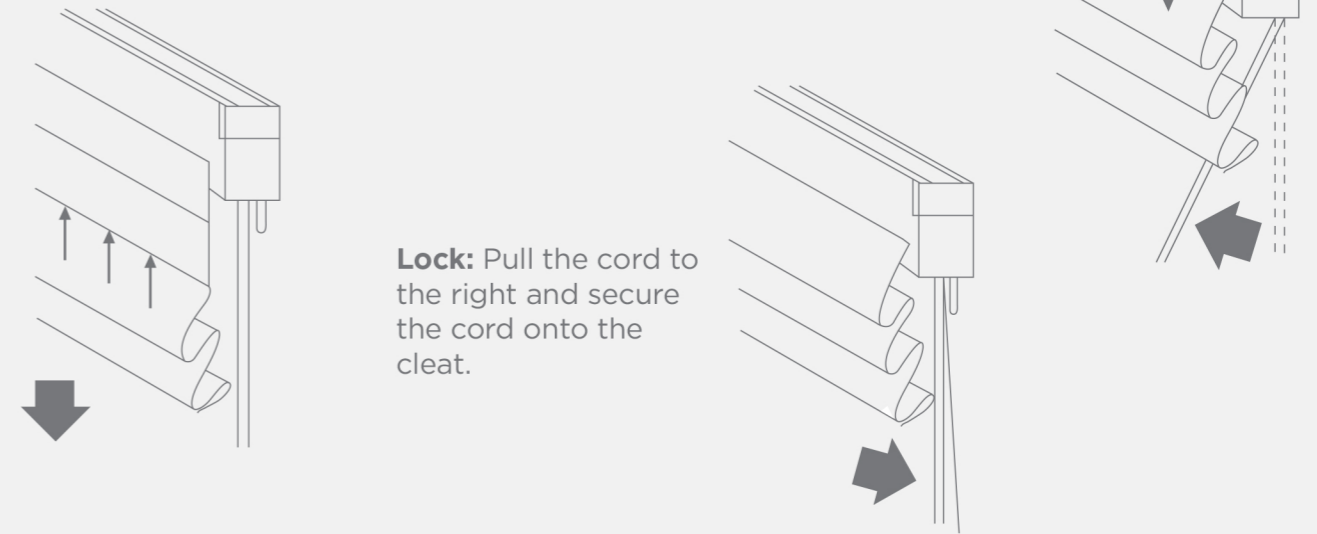
### OPERATING THE BLIND

**Raise:** Pull down on the cord to raise the blind to your desired height.

**Unlock:** Unwind the cord from the cleat and pull the cord to the left.

**Lock:** Pull the cord to the right and secure the cord onto the cleat.

**Lower:** Once unlocked, the blind should lower freely.



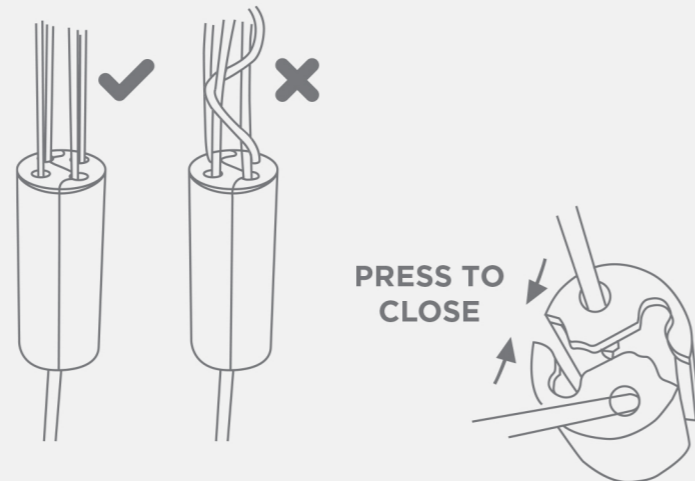
### CORD COLLECTOR CARE

If the cords become detached, simply press back into position.

Do not put the cords back in a twisted position and never allow the cords to become twisted when in use.

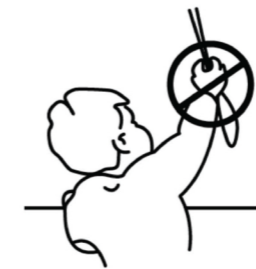
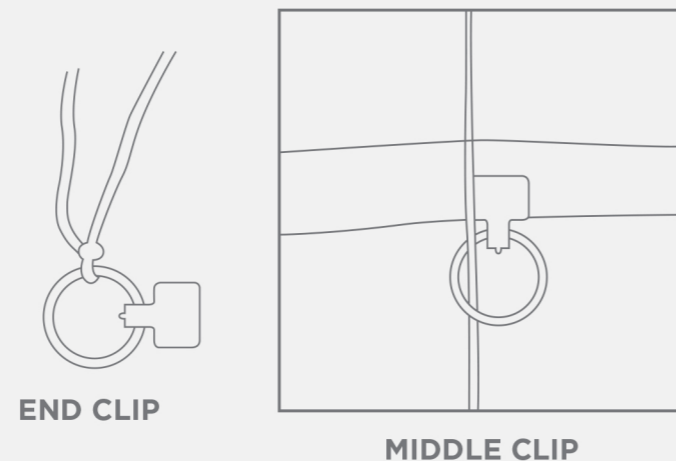
The cord collectors are designed to snap.

Do not remove the cord collector to prevent child strangulation.



### CHILD SAFETY BREAK AWAY

At the back of your roman blind, the cords attach to the fabric using clips. We take the safety and well-being of children very seriously so these clips also double up as a child-safety feature. They will detach when they are put under too much strain to prevent the risk of strangulation. If they become detached accidentally during use of your blind, these can be easily clipped back into place to allow operation of the cords.



## WARNING

Young children can be strangled by loops in pull cords, chains, tapes and inner cords that operate the product.

To avoid strangulation and entanglement, keep cords out of the reach of young children.

Cords may become wrapped around a child's neck. Move beds, cots and furniture away from window covering cords. Do not tie cords together. Make sure cords do not twist and create a loop.