

# **Before you get started...**

We're confident you will be happy with your new Furniture Adjustable bed frame.

However it is worth making sure before you unpackage and start to put it together.

Please check the following:

## **CORRECT COLOUR**

Please make sure you are happy with the colour. There is no need to fully unpack, please just check the first component.

## **PACKAGING**

If you're satisfied, then its time to open. Start by laying out all components on the cardboard. This will prevent the fabric getting stained or scuffed.

## **COMPONENTS**

Finally, double check your components page and ensure you have all parts listed.

Contact info:

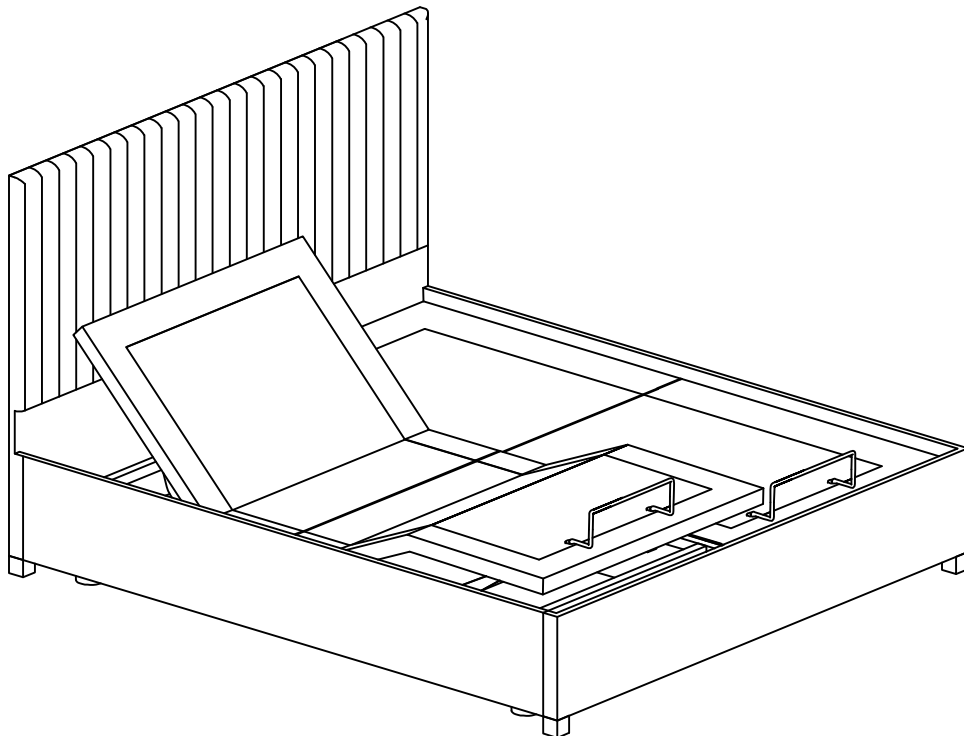
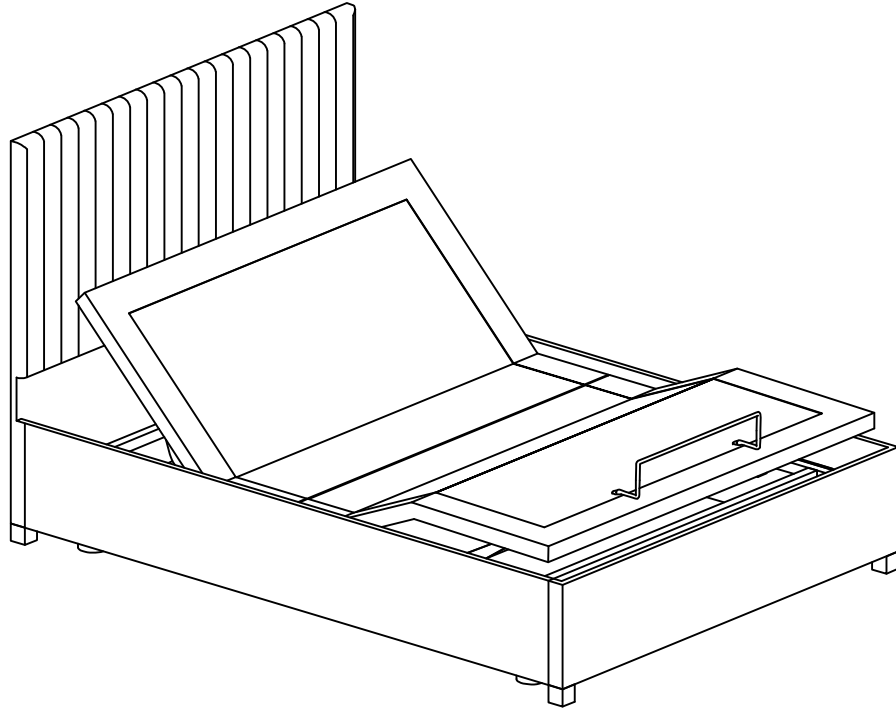
01484 949354

## **RETURNS**

If you are not completely satisfied with the product, don't worry. We just need everything back in the original packaging.

# Adjustable Bed Frame

Assembly instructions



**Need Help?**

With: Assembly instructions  
Missing or damaged parts

**IMPORTANT – RETAIN FOR FUTURE REFERENCE**

**CALL: 01484 949354**

# Adjustable Bed Frame

## Assembly instructions

### BEFORE YOU START

#### Warnings

- Due to the size of this product we recommend that it is assembled in the room intended for use.
- When you are ready to start, make sure that you have the right tools, plenty of space and a clean, dry area for assembly.
- Unwrap all packaging materials and place the components on top of the carton box or on a clean floor to prevent it from scratching.
- Check the pack and make sure you have all the parts listed.
- Ensure that this product is fully assembled and secured as illustrated before use.
- Check all screws or bolts are tightened and inspect regularly.
- This product should only be used on firm, level ground.
- Please dismantle for transportation
- Only use the storage compartment when the frame is fully raised in the up position.
- Make sure the legs remain in contact with the ground.
- Keep small parts out of reach of children.
- Use caution when operating, this bed uses a pressured mechanism.
- Keep hands and fingers clear of the mechanism when opening and closing the bed for use.

#### Do's

- Hair products such as hairsprays, oils and gels may affect the finish. Avoid prolonged contact with such products.
- Regular cleaning is essential to avoid build up of these products on the surface.
- Avoid exposure to direct or prolonged periods of sunlight and position away from direct heat sources such as radiators.
- Care should be taken to avoid spilling anything on the upholstery. If a spillage occurs act promptly and soak up any liquids by blotting with a clean absorbent cloth. Never rub to remove stains. Never use a wet cloth.
- If a spillage does occur, blot any liquids immediately with a clean, dry absorbent cloth and allow to dry naturally.
- For more stubborn stains a professional upholstery cleaner should be consulted.
- Clean periodically in situ using a professional cleaning company.
- Do not drag the frame across the floor.
- All assembly fixings should always be tightened properly and periodically check all fixings and tighten if necessary.

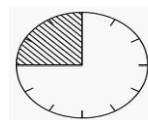
#### Don'ts

- **DO NOT** use power tools to construct this product.
- **DO NOT** tighten screws until fully assembled.
- **DO NOT** over tighten screws or bolts.
- **DO NOT** use this product if parts are missing, damaged or worn.

- **DO NOT** stand on the product.
- **DO NOT** remain on the bed whilst the lifting mechanism is in use.
- **DO NOT** expose this product to dripping or splashing, rain or areas with heavy moisture.
- **DO NOT** place any objects filled with liquids, such as vases, on the product.
- **DO NOT** insert foreign objects into the product or attempt to repair this unit by yourself.
- **DO NOT** place the product in direct sunlight, open flames such as candles or heat, such as radiators. Keep away from temperatures over 35oC.

#### Number of people required to assemble

2 people is required to assemble this item.



Time to assemble: **45 minutes**



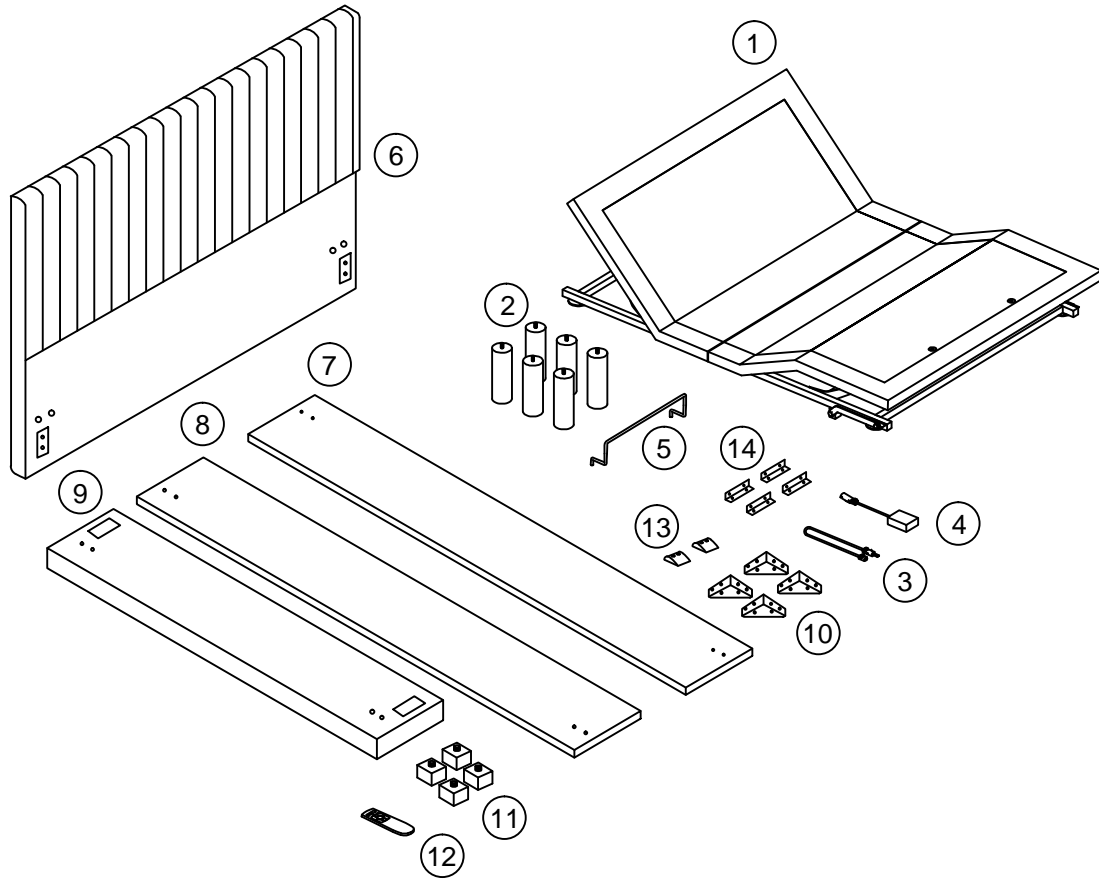
#### Missing parts


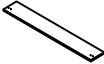

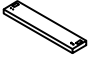
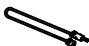
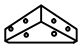
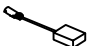



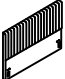

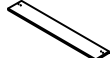

If you are missing any fixtures and fittings for your product please contact our customer service team on 0800 804 8879 and they will be happy to arrange for a replacement to be sent to you free of charge.

# Adjustable Bed Frame

## Assembly instructions

### GETTING TO KNOW YOUR PRODUCT



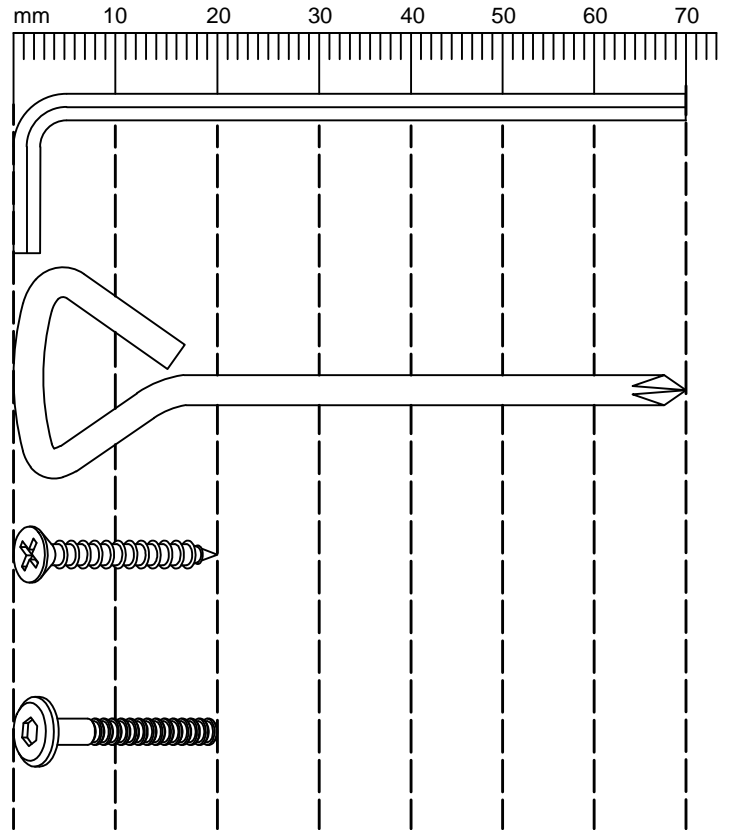
Reff	Description	Visual	Qty	Ctn	Reff	Description	Visual	Qty	Ctn
1	Adjustable Action		1		8	Left Siderail		1	
2	Three-piece Leg		6		9	Footboard		1	
3	Power Cord		1		10	Large Corner Brackets		4	
4	Power Supply		1		11	Feet		4	
5	Retainer Bar		1		12	Remote		1	
6	Headboard		1		13	Rail Protector		6	
7	Right Siderail		1		14	Small Corner Brackets		4	

# Adjustable Bed Frame

## Assembly instructions

### Fixtures and fittings supplied (actual size)

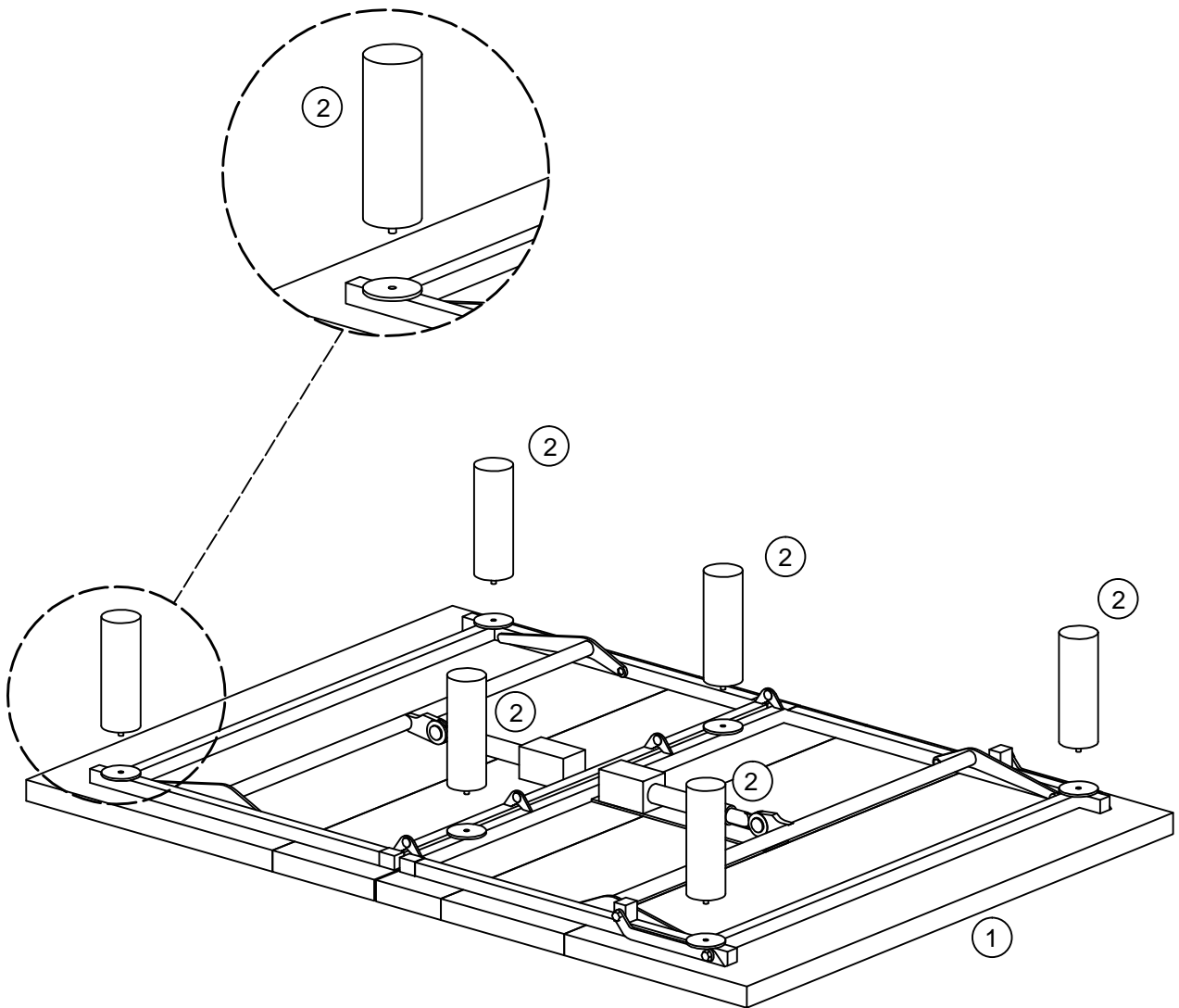
Reff	Dimensions	Qty	*Extra
1	M8 Allen Key	1	
2	Screwdriver	1	
3	20 mm Self Tapping Screw	32	
4	M8 x 20 mm Allen Bolt	12	



# Adjustable Bed Frame

Assembly instructions

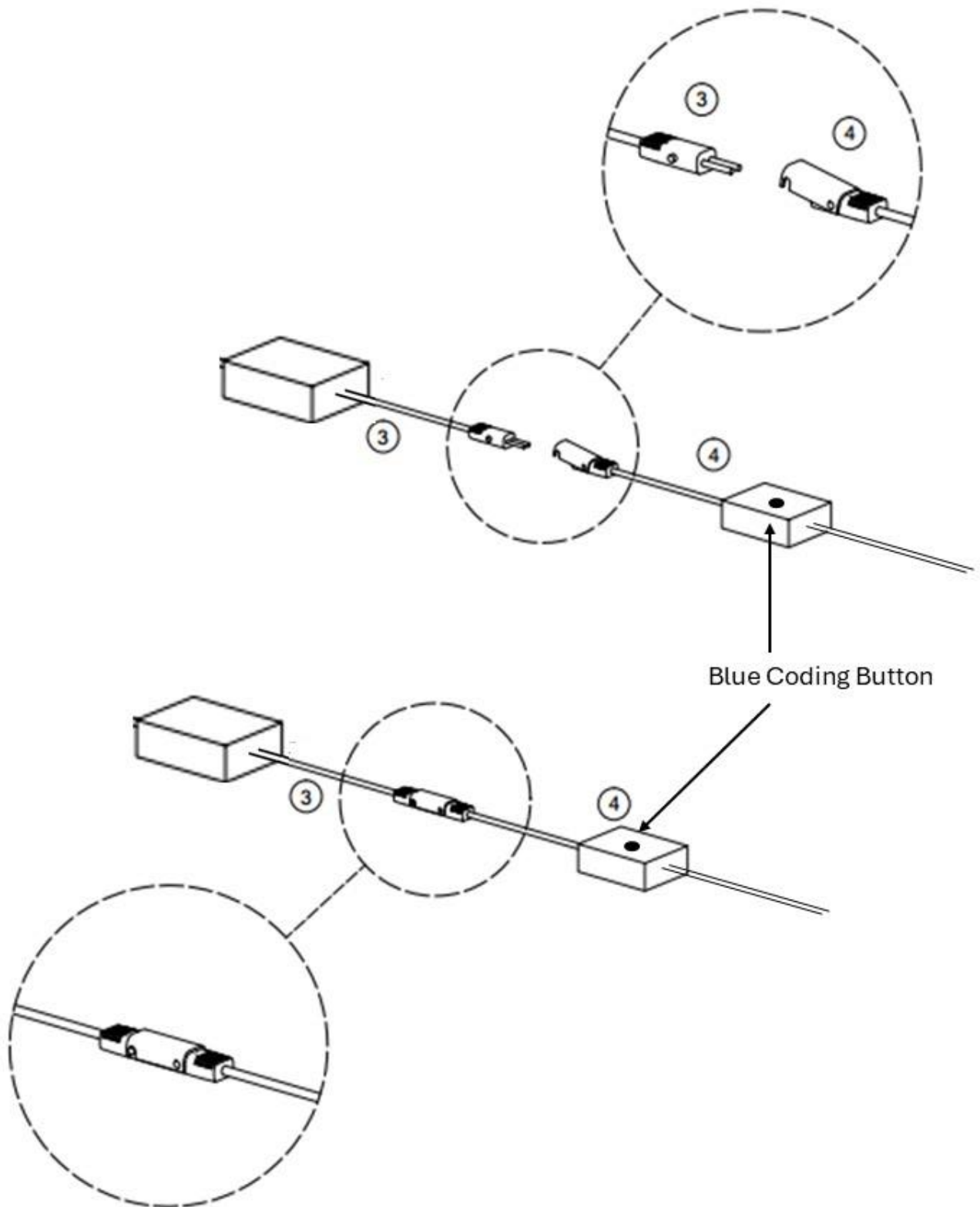
1



# Adjustable Bed Frame

## Assembly instructions

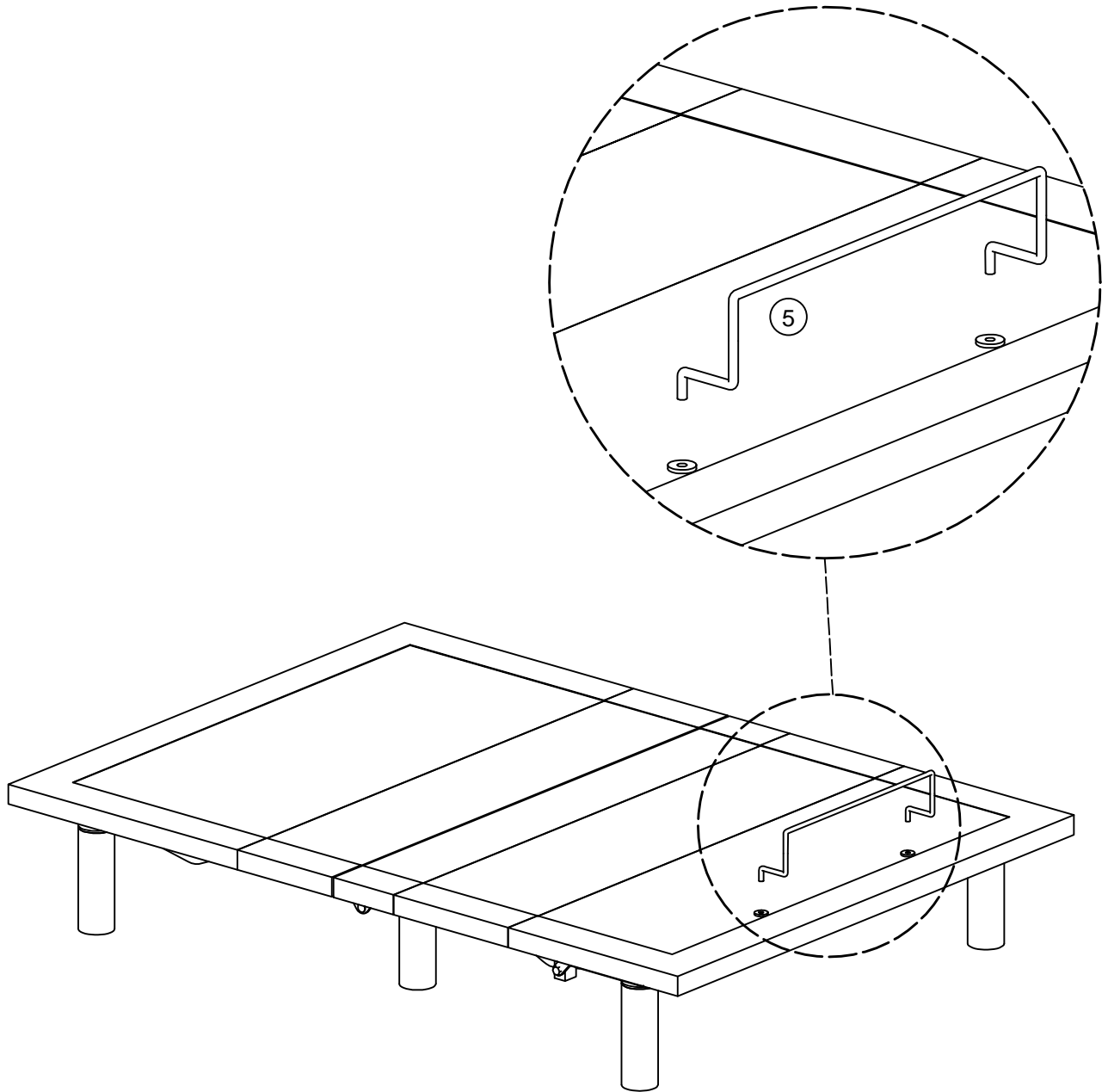
2



# Adjustable Bed Frame

Assembly instructions

3

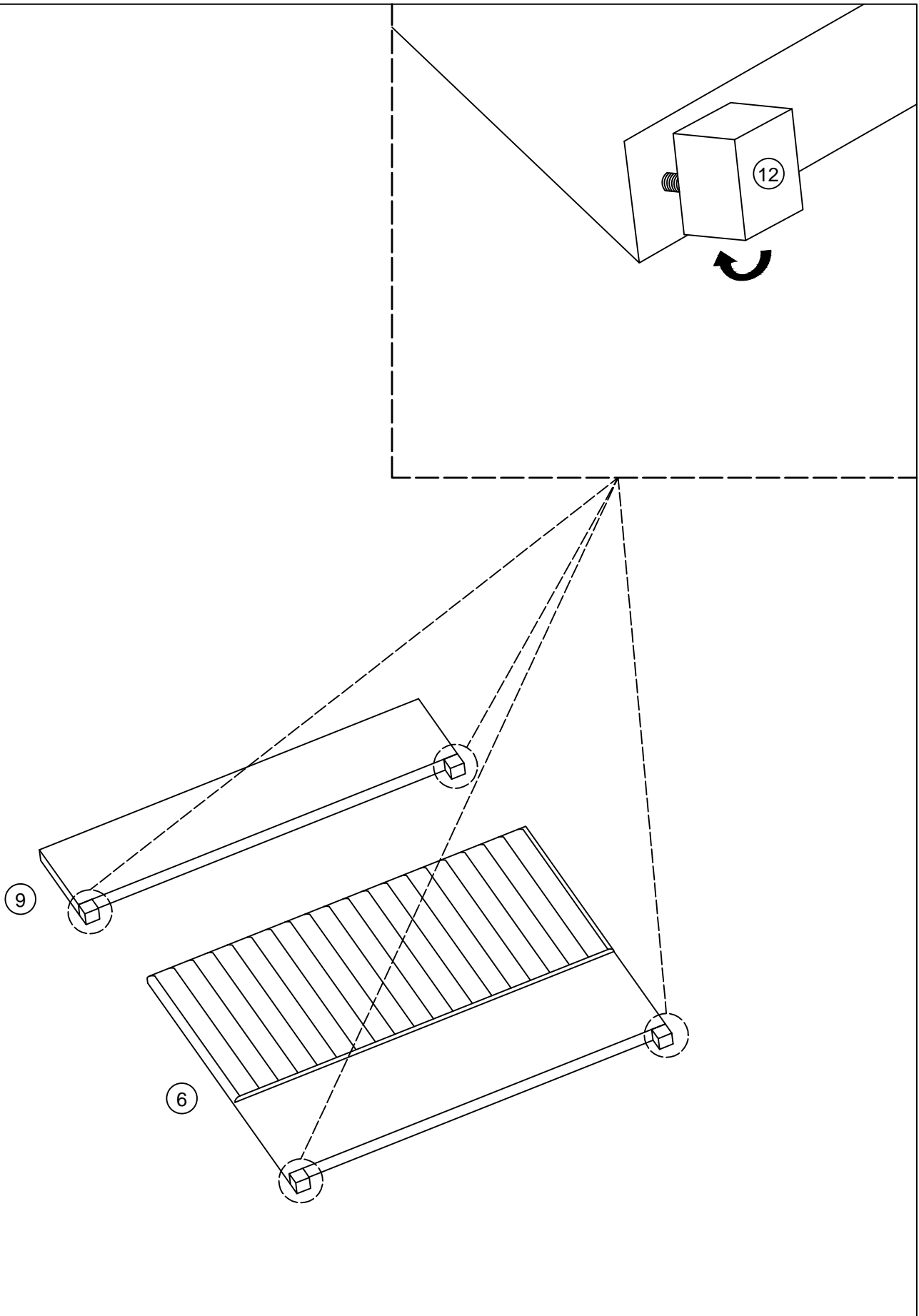




# Adjustable Bed Frame

## Assembly instructions

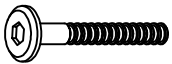
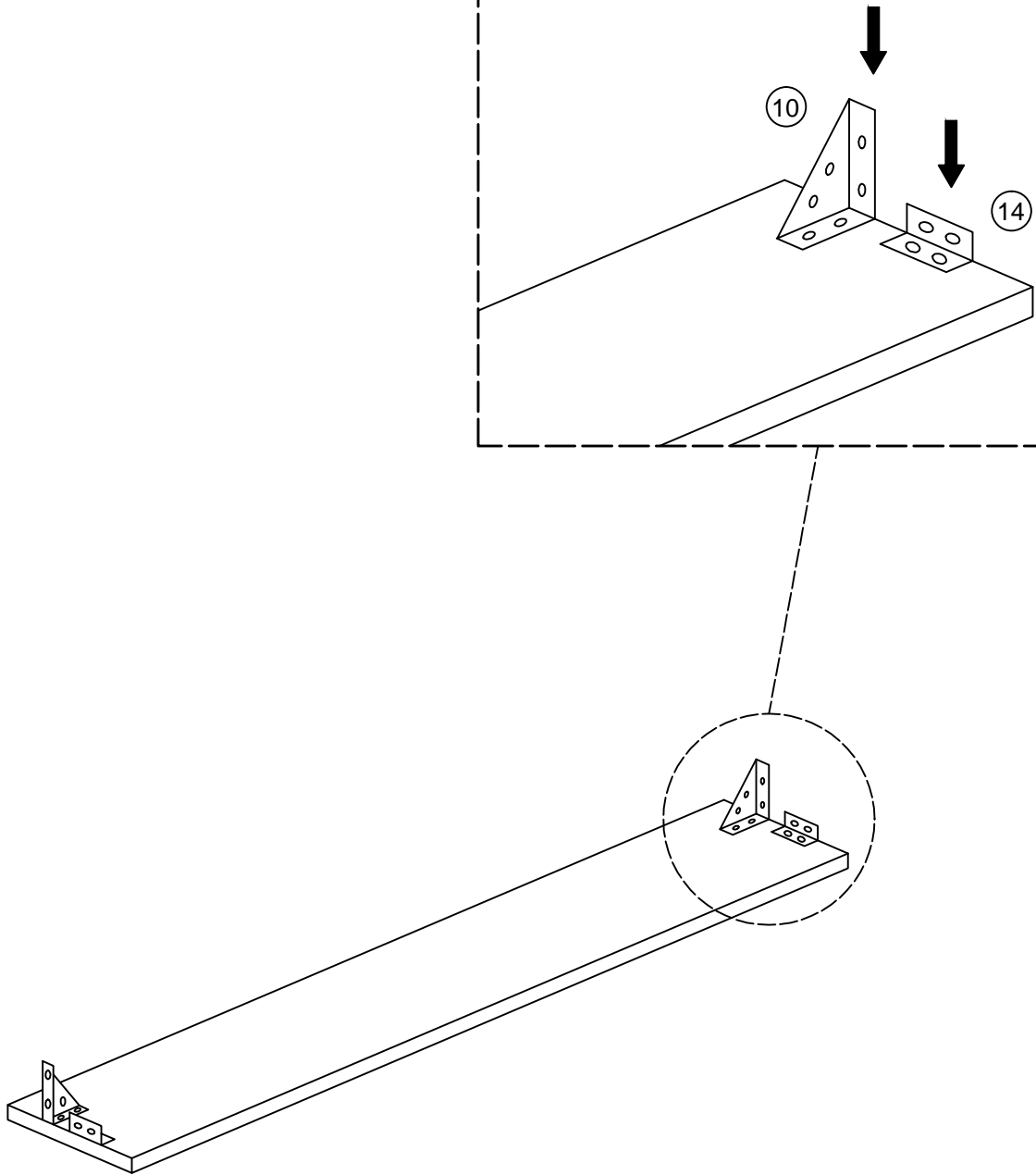
4



# Adjustable Bed Frame

## Assembly instructions

5

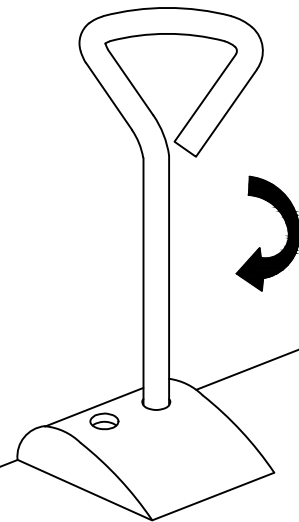
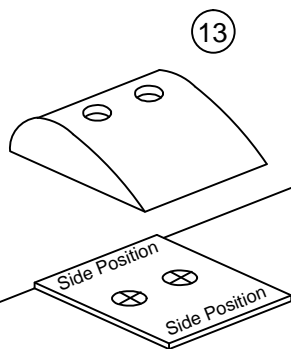
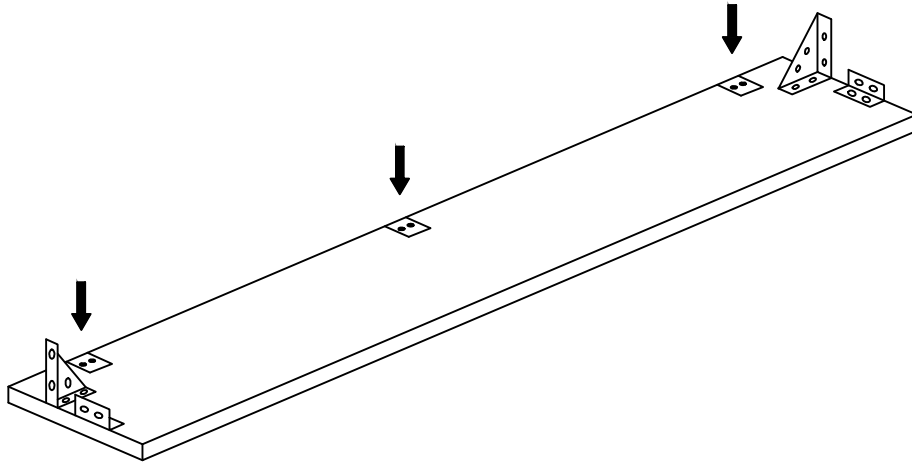


M8 x 20 mm Allen Bolt

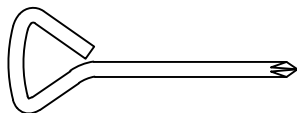
# Adjustable Bed Frame

## Assembly instructions

6



20mm Self  
Tapping Screws

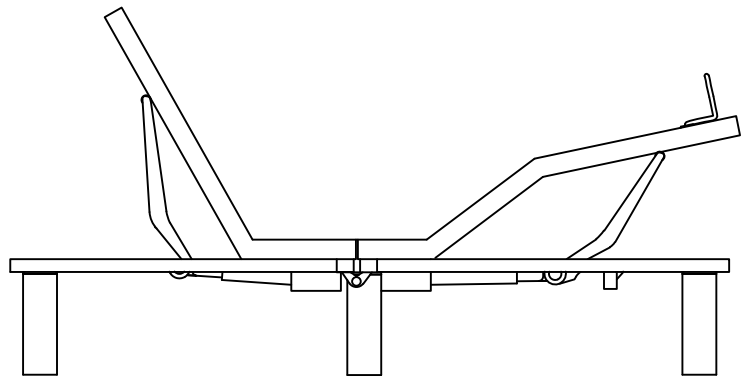


Screwdriver

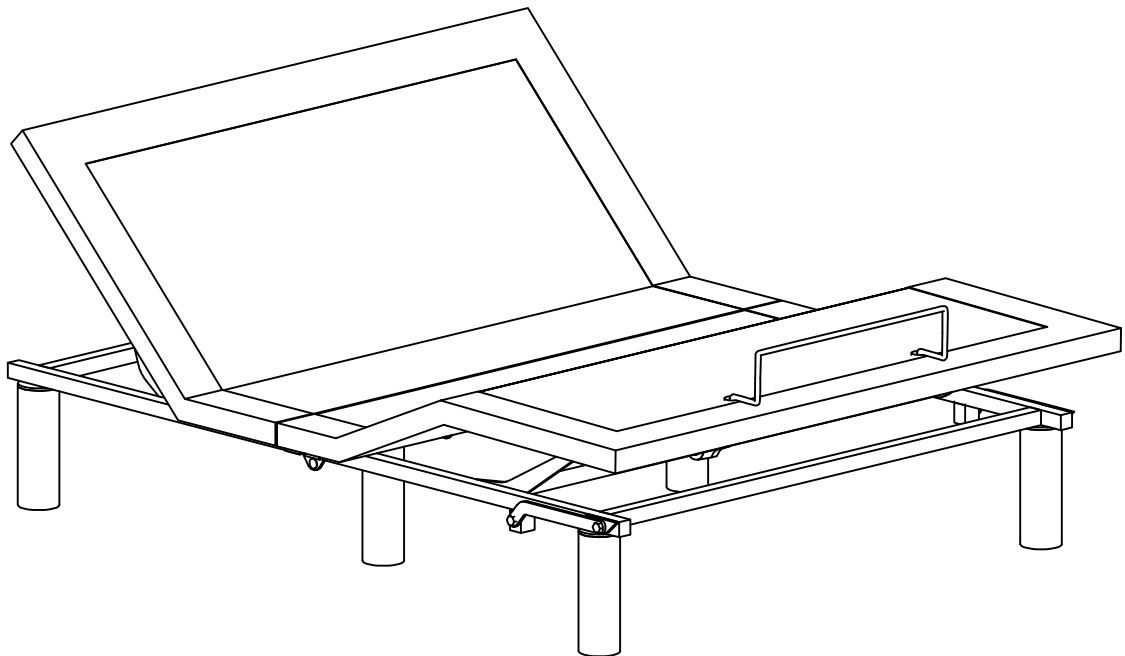
# Adjustable Bed Frame

## Assembly instructions

7



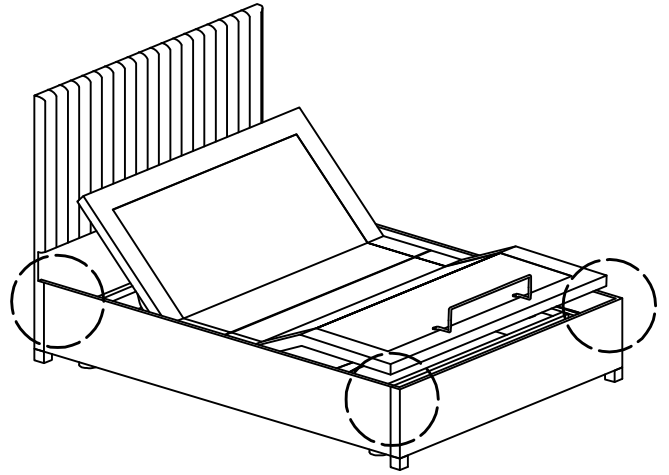
Raise the adjustable frame to the highest position using the remote (12).



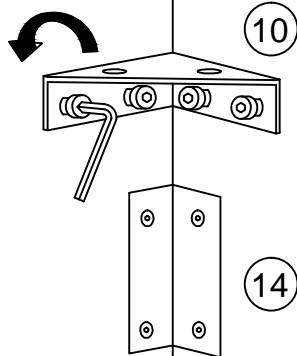
# Adjustable Bed Frame

## Assembly instructions

8



Instruction for all corners

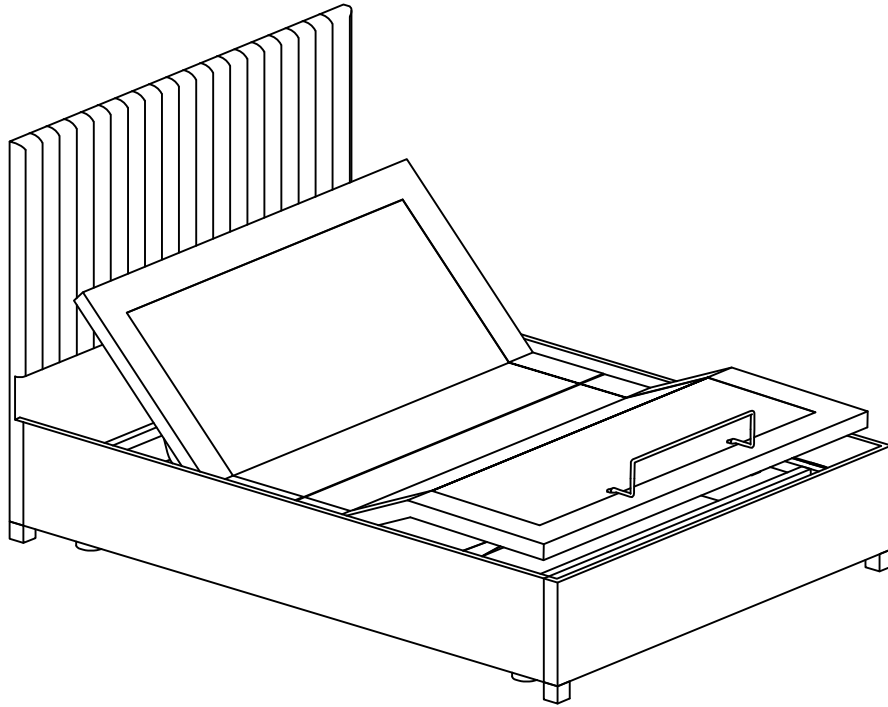


M8 Allen Key

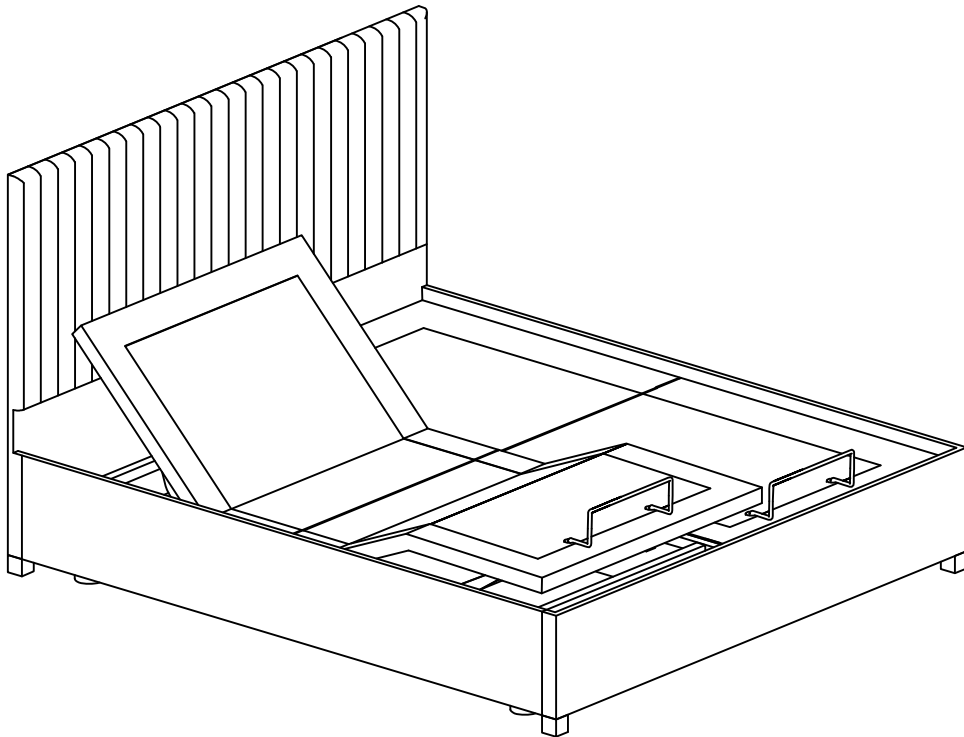
# Adjustable Bed Frame

## Assembly instructions

9



3' & 4'6" Bed Frame



5' & 6' Bed Frame

# Adjustable Bed Frame

## Assembly instructions

### OPERATING INSTRUCTIONS

#### HANDSET PAIRING:

Before using your adjustable bed action, the wireless handset must be paired with the control box.

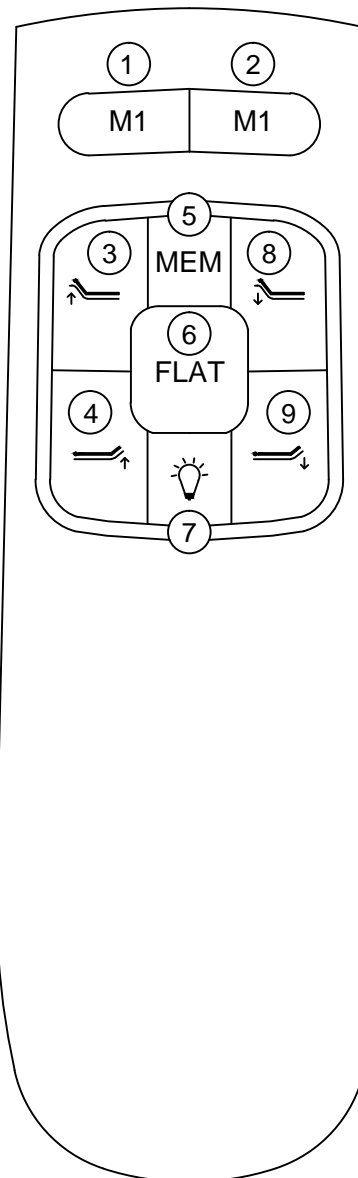
**STEP 1:** Make sure the UK three-pin power cord is plugged into mains power and is switched on.

**STEP 2:** Press handset buttons 'Back down' (button 8) and 'Leg up' (button 4) along with the coding button on the control box simultaneously.

**STEP 3:** The control box will beep indicating that the code is successfully matched. The bed is ready to use.

#### HANDSET FUNCTION:

BOTTON NO.	FUNCTION
1	MEMORY POSITION 1. Press and hold M1, the actuators will be moved to memory position 1. Release and actuators will stop.
2	MEMORY POSITION 1. Press and hold M1, the actuators will be moved to memory position 1. Release and actuators will stop.
3	Head/back section UP.
4	Foot/leg section UP.
5	MEMORY SET. Press and hold for three seconds, the backlit buttons on the handset will flash and enter memory set mode. Press M1/M2 within ten seconds and the control box will beep to indicate the current position is saved to M1/M2.
6	FLAT. Press and hold, all actuators will retract until the bed is in the fully flat position.
7	TORCH. Press the button and the torch at on the end of the handset will turn on. Release the button and the torch will turn off.
8	Head/back section DOWN.
9	Foot/leg section DOWN.



#### TROUBLE SHOOTING

In the event that the adjustable action fails to operate, asses the symptoms and possible solutions provided in the chart below:

SYMPTOMS	SOLUTIONS
<i>Head and foot lift function has interference during operation</i>	<ul style="list-style-type: none"> <li>√ Check batteries in wireless remote. Replace with two new AAA batteries.</li> <li>√ Make sure you are following the duty cycle of the motors (do not operate more than two minutes over a twenty-minute period).</li> </ul>
<i>A clicking noise is heard under the bed when raising or lowering</i>	<ul style="list-style-type: none"> <li>√ This is normal, the lift motor relays will click when they are engaged. No action is required</li> </ul>
<i>Do I need to clean or service the bed motors?</i>	<ul style="list-style-type: none"> <li>√ No. The bed motors are maintenance free.</li> </ul>
<i>I have plugged the bed into the wall, but nothing is working</i>	<ul style="list-style-type: none"> <li>√ Check there are two AAA batteries in the handset.</li> <li>√ Make sure the plug is firmly connected to mains power socket and power is on. Make sure power socket is working by trying another appliance.</li> <li>√ Make sure power supply cable is not loose from the control box.</li> <li>√ Make sure both actuator cables are not loose from the control box.</li> <li>√ the handset may have lost pairing with the control box. Attempt the re-pairing process again.</li> </ul>