

# **ASSEMBLY INSTRUCTION**

- Oversized Headboard -

## Before you get started...

We are confident that you will be happy with your new Aspire Oversized Headboard.

However, it is worth making sure before you unpackage and start to put it together to please check the following:

- **CORRECT COLOUR-** Please make sure you are happy with the colour. There is no need to fully unpack, please just check the first component.
- **PACKAGING-** If you're satisfied, then it's time to open. Start by laying out all the components on the cardboard. This will prevent the fabric getting stained or scuffed.
- **COMPONENTS-** Finally, double check your components page and ensure you have all parts listed.

**Contact Info:** [cs@aspire-furniture.co.uk](mailto:cs@aspire-furniture.co.uk) or 01484 949354

### INFORMATION

- Due to the size of this product, we recommend that it is assembled in the room intended for use.
- When you are ready to start, make sure that you have the right tools, plenty of space and a clean dry area for assembly.
- Unwrap all packaging materials and place the components on top of the carton box or on a clean floor to prevent it from scratching.
- Check the pack and make sure you have all the parts listed.
- Ensure that this product is fully assembled and secured as illustrated before use.
- Check all screws or bolts are tightened and inspect regularly.
- Please dismantle for transportation
- Keep small parts out of reach of children.

## WARNINGS

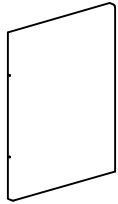
- **DO NOT** use power tools to construct this product.
- **DO NOT** tighten screws until fully assembled.
- **DO NOT** over tighten screws or bolts.
- **DO NOT** use this product if parts are missing, damaged or worn.
- **DO NOT** stand on the product.
- **DO NOT** expose this product to dripping or splashing, rain or areas with heavy moisture.
- **DO NOT** place any objects filled with liquids, such as vases on the product.
- **DO NOT** attempt to repair this unit by yourself.
- **DO NOT** place the product in direct sunlight, open flames such as candles or heat, such as radiators. Keep away from temperatures over 35°C.

### CARE INSTRUCTIONS

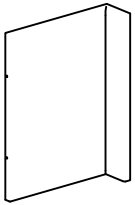
- Hair products such as hairsprays, oils and gels may affect the finish. Avoid prolonged contact with such products.
- Regular cleaning is essential to avoid build-up of these products on the surface.
- Care should be taken to avoid spilling anything on the upholstery. If a spillage occurs act promptly and soak up any liquids by blotting with a clean absorbent cloth. Never rub to remove stains. Never use a wet cloth.
- If a spillage does occur, blot any liquids immediately with a clean, dry absorbent cloth and allow to dry naturally.
- For more stubborn stains a professional upholstery cleaner should be consulted.
- Clean periodically in situ using a professional cleaning company.
- Do not drag the headboard across the floor.
- All assembly fixings should always be tightened properly and periodically check all fixings and tighten if necessary.

# Parts List

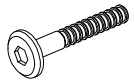
1 (Center Piece) = 1 Pc



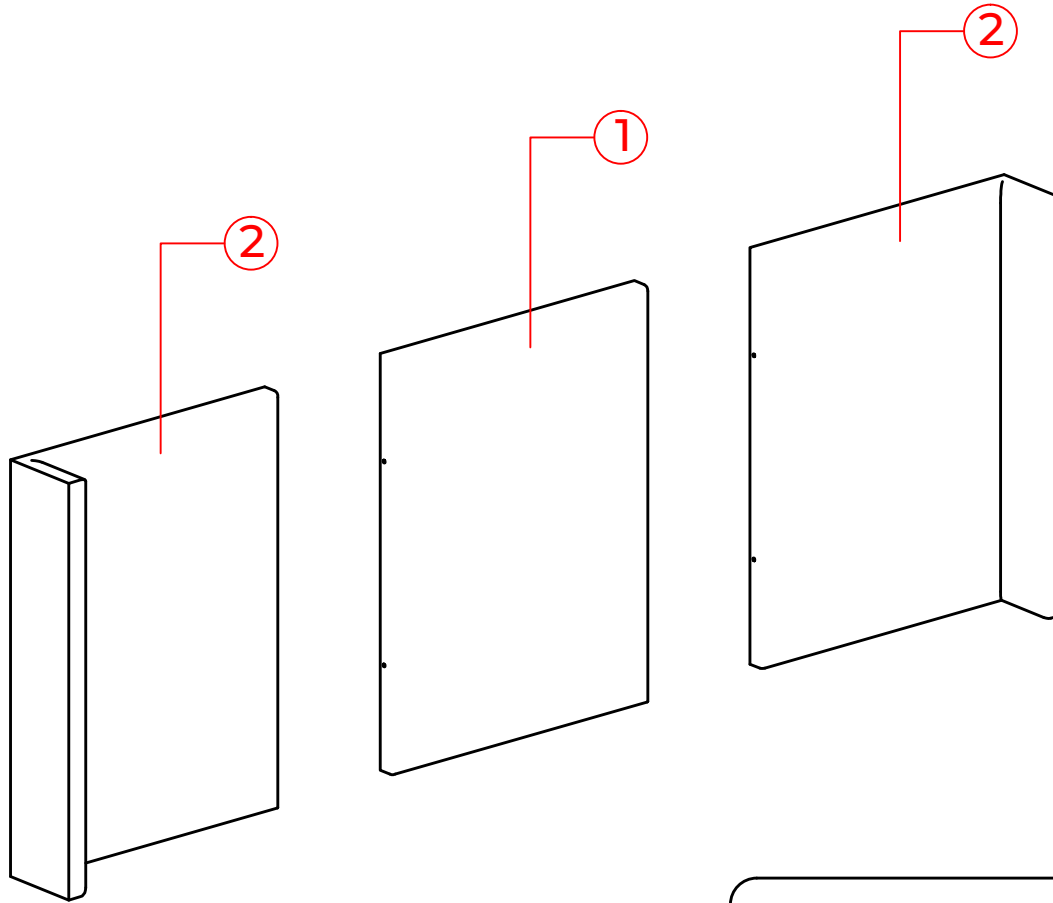
2 (Side Piece) = 2 Pcs



X (Allen Bolt) = 4 Pcs



Y (Hex Key) = 1 Pc



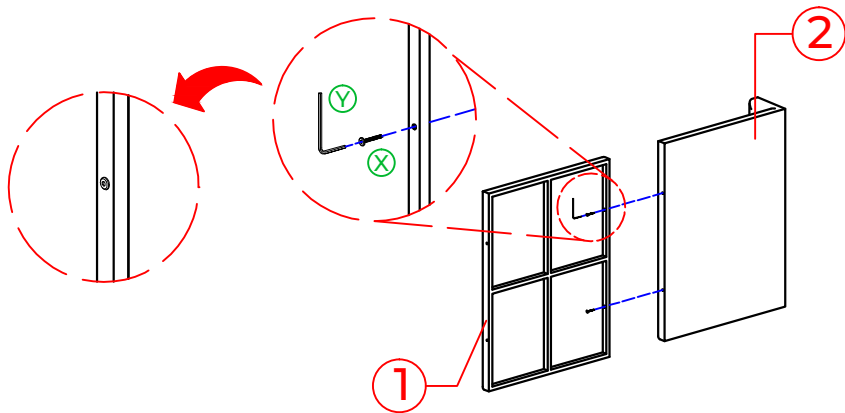
Make sure all parts are complete as the parts list and illustration on this page.



# Assembly Instruction

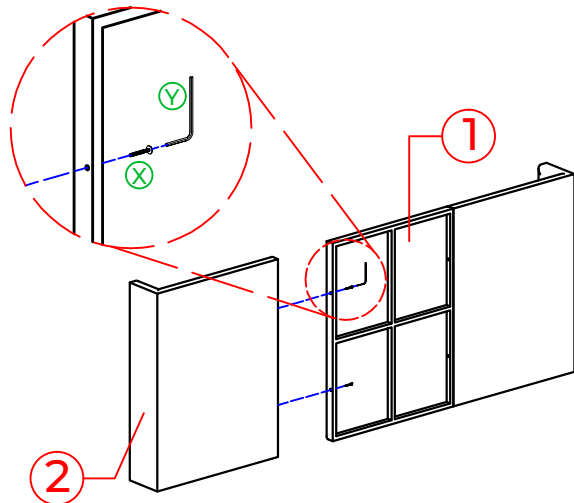
## STEP 1

Assembly the center piece with the side piece using two allen bolts. Then tighten with a hex key firmly.



## STEP 2

Next, assembly the center piece with the other side piece using two allen bolts. After that, tighten with a hex key firmly.



## FINISH

Oversized headboard ready to use.

