

BED HEADBOARD

ASSEMBLY INSTRUCTION

Before you get started...

We are confident you will be happy with your new Aspire Wall Panels.

However, it is worth making sure you are happy before you unpackage and start to put them on the wall.

Please check the following:

CORRECT COLOUR

Please make sure you are happy with the colour. There is no need to fully unpack, please just check the first component.

Contact info: cs@aspire-furniture.co.uk
01484 949354

RETURNS

If you are not completely satisfied with the product, don't worry. We just need everything back in the original packaging.



INFORMATION

- Read through **ALL** instructions before commencing installation.
- If you have any questions about this product or issues with installation, contact our Customer Services on 01484 949354
- Before installation ensure that the panels will be able to fit in your desired location.
- These panels should ideally be fixed to a solid wall with the fixings provided.
- Determine the wall type that you have. If the panels are to be fixed to a timber stud, plasterboard or metal stud wall, then appropriate wall plugs for this type of wall will be required.
- Before drilling the fixing holes into the wall, it is **ESSENTIAL** that you make sure that there are no hidden pipes, electrical wiring or other mains services in the wall.
- Before you drill the wall make sure that you are happy with the position and ensure that the fixings holes will be level.
- Check that the panels are secure and inspect them regularly.
- This product should not be used in rooms or areas with a high moisture content e.g. kitchens and bathrooms.

These panels should only be mounted on painted walls, varnished wood or tile.

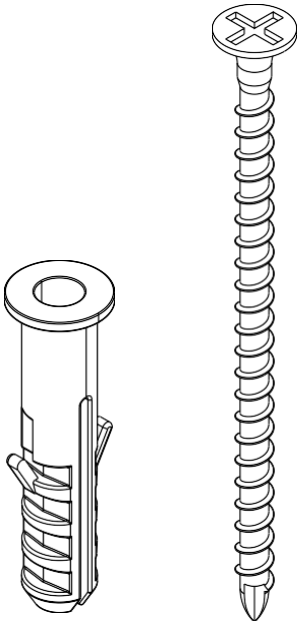
WARNINGS

- DO NOT hang or balance any other items on this product.
- DO NOT place any objects filled with liquids, such as vases, on the product.
- DO NOT mount in a position where injury could occur if the panel falls
- DO NOT insert foreign objects into the product or attempt to repair this unit by yourself.
- DO NOT place the product in direct sunlight, near open flames, such as candles, or heat sources, such as radiators. Keep away from temperatures over 35°C.
- IF THE PRODUCT IS NOT INSTALLED IN ACCORDANCE WITH THE INSTRUCTIONS, AS OUTLINED ABOVE, THEN THERE WILL BE A RISK OF THE PANEL FALLING.

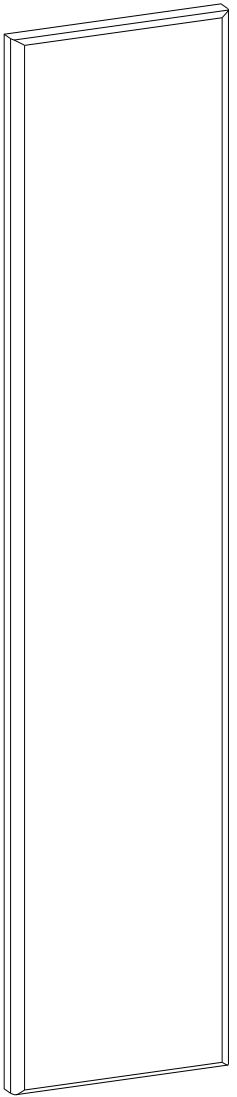
CARE INSTRUCTIONS

- Hair products such as hairsprays, oils and gels may affect the finish. Avoid prolonged contact with such products.
- Regular cleaning is essential to avoid build up of these products on the surface.
- Avoid exposure to direct or prolonged periods of sunlight and position away from direct heat sources such as radiators.
- Care should be taken to avoid spilling anything on the upholstery. If a spillage occurs, act promptly and soak up any liquids by blotting with a clean absorbent cloth. Never rub to remove stains. Never use a wet cloth.
- If a spillage does occur, blot any liquids immediately with a clean, dry absorbent cloth and allow it to dry naturally.
- For more stubborn stains a professional upholstery cleaner should be consulted.

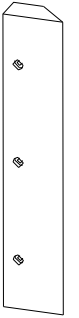
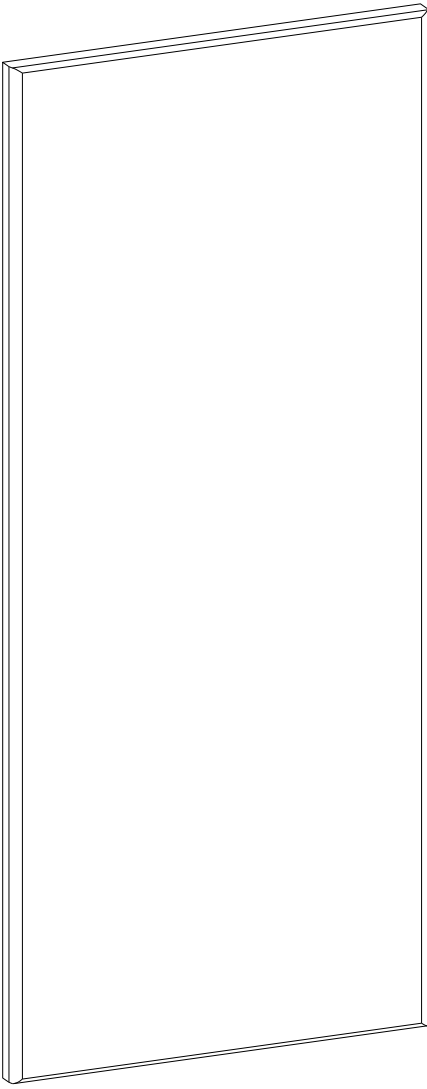
ACCESSORY LIST



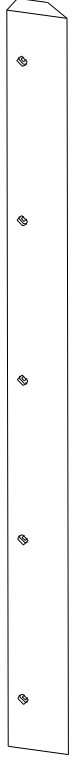
PART LIST



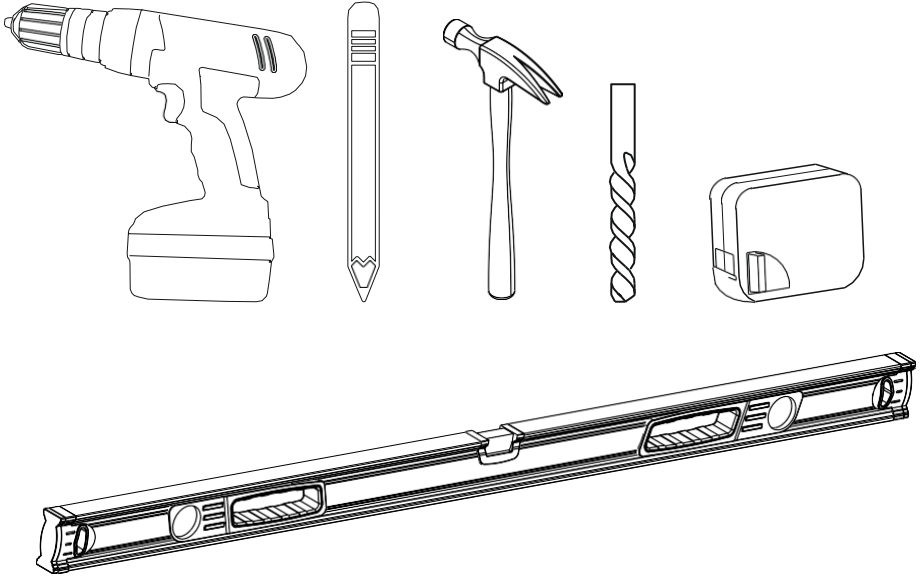
OR



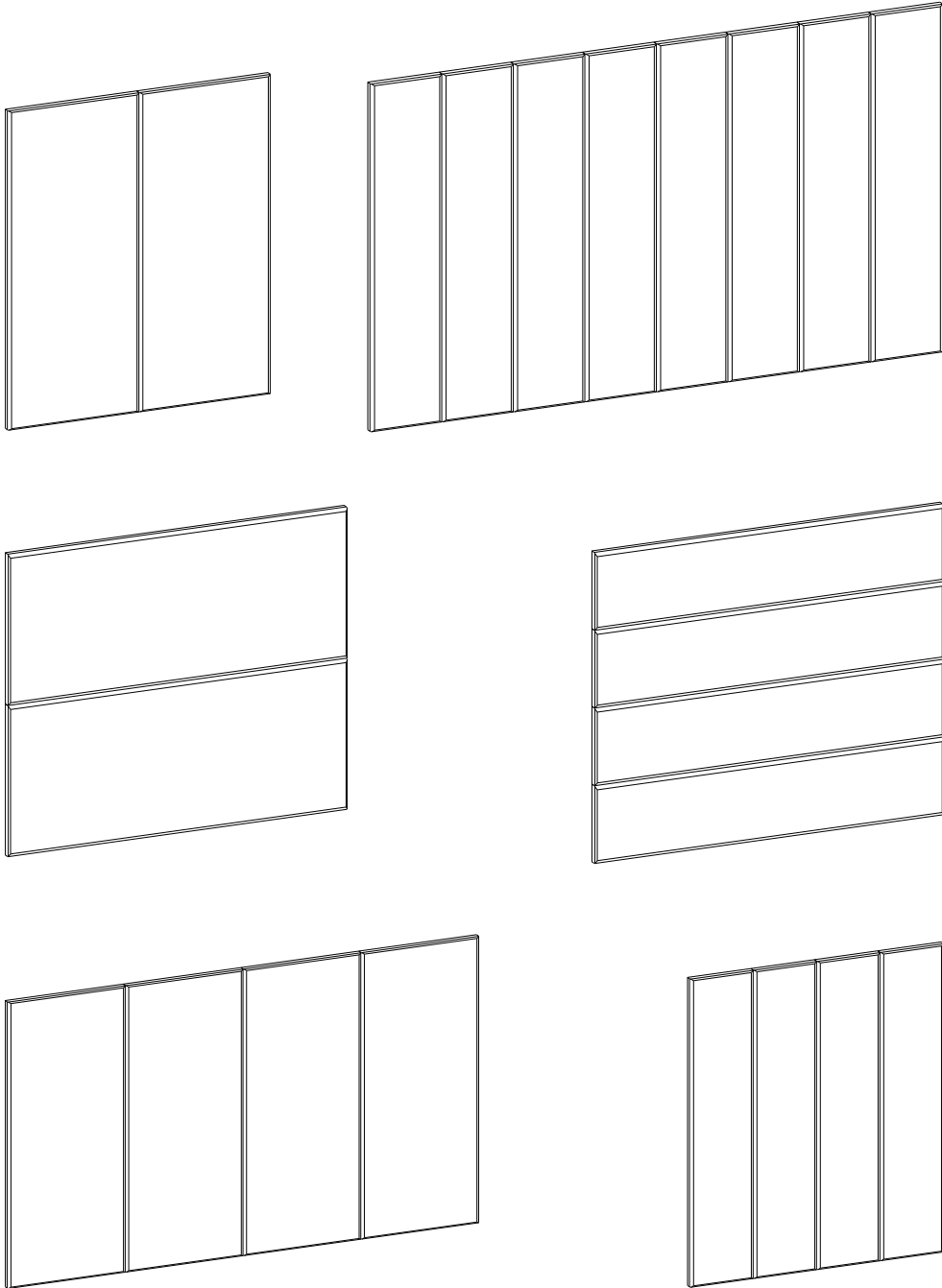
OR



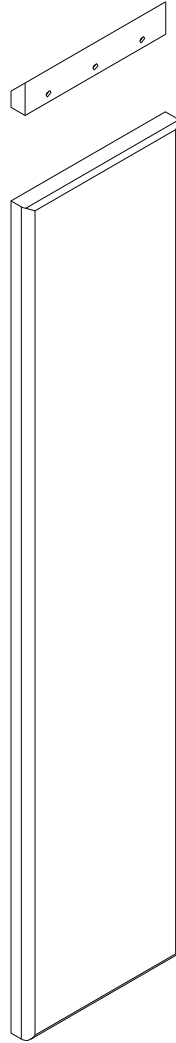
WHAT YOU'LL NEED:



CHOOSE OUR ORIENTATION:

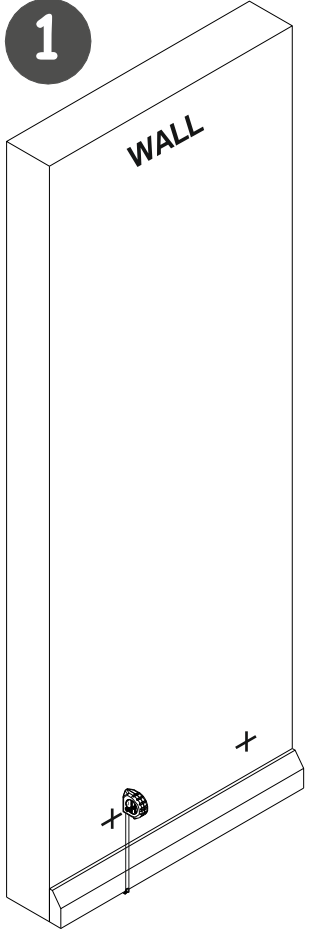


OPTION 1



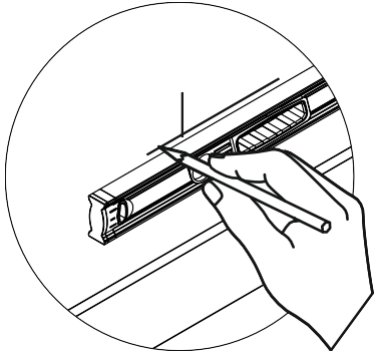
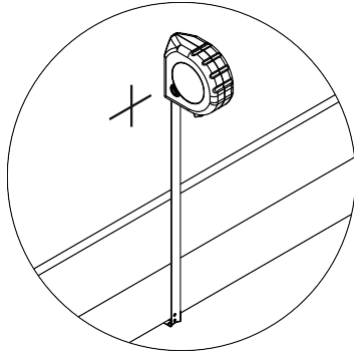
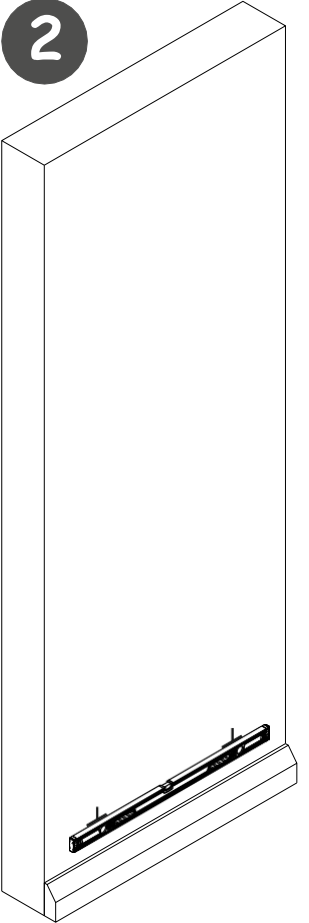
Measure the distance according to how high you want to hang it from the floor.

1

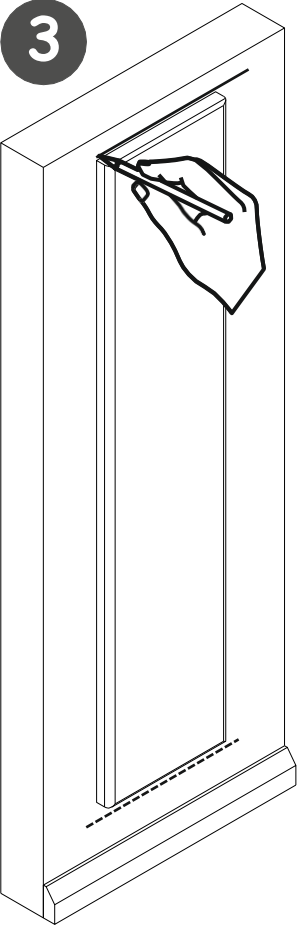


Draw a line between two points using the level or the wall hanging wood sent to you

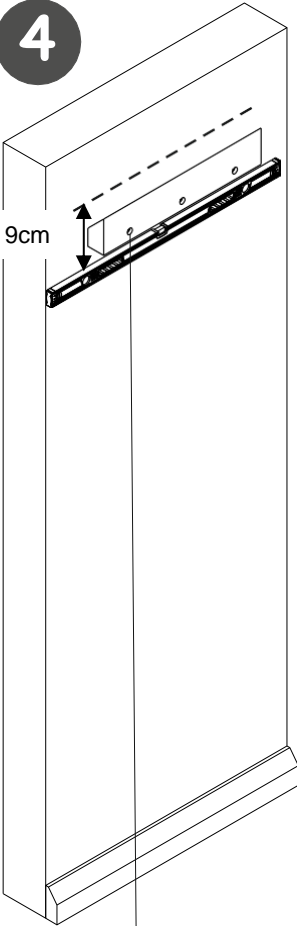
2



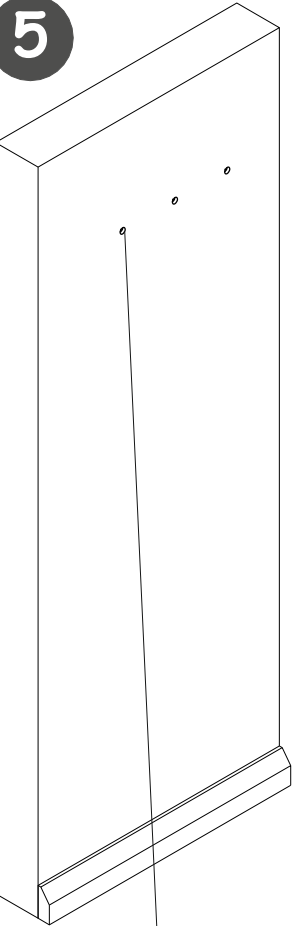
Draw a line at the top by placing the headboard against the wall.



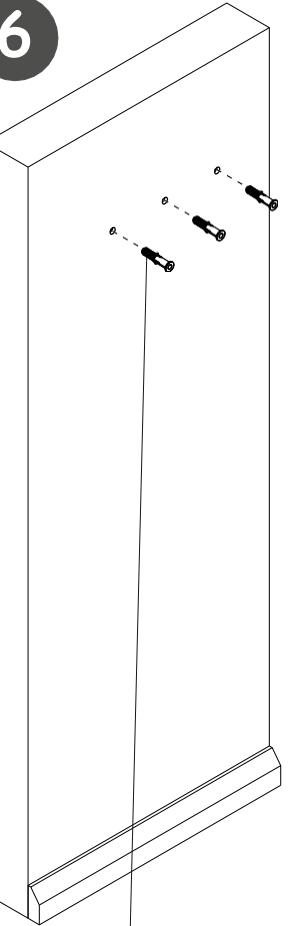
Place the wall hanging wood against the wall and first check its balance with a spirit level, then mark the wall through the holes.



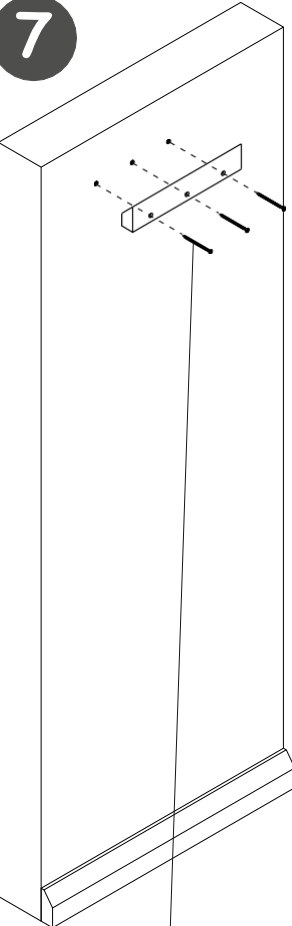
Drill holes in the wall according to the plastic dowel you will use



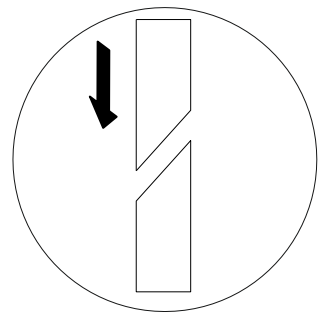
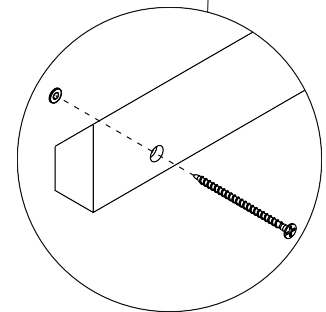
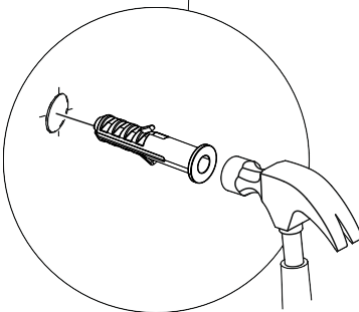
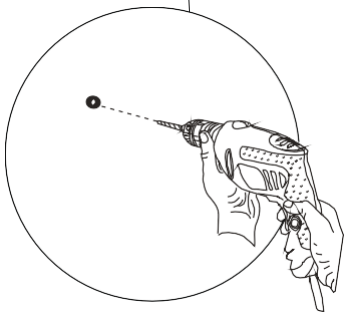
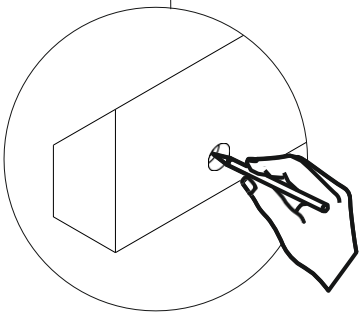
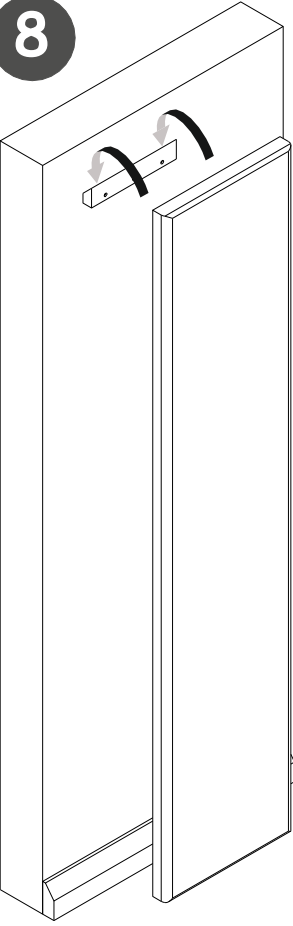
Insert the plastic anchors into the wall.



Screw the wall hanging wood to the wall.



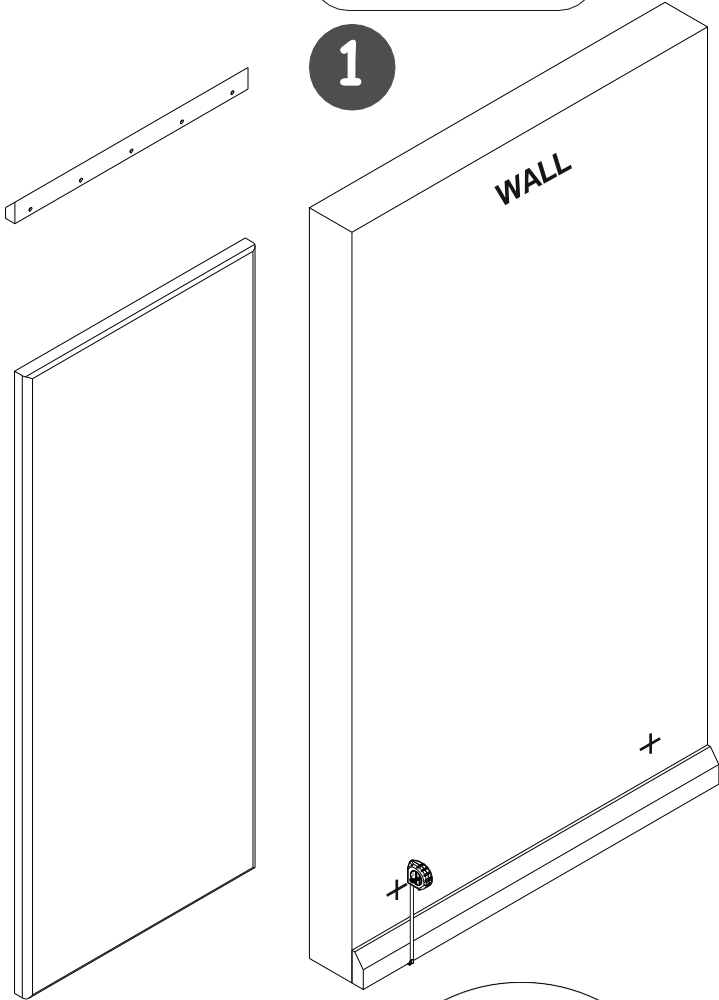
Hang the headboard on the wall. Continue hanging the other headboards in the same way.



OPTION 1

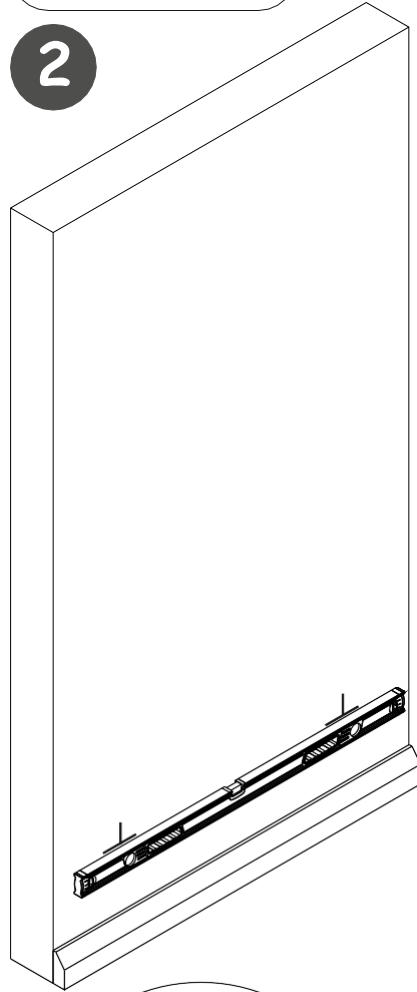
Measure the distance according to how high you want to hang it from the floor.

1



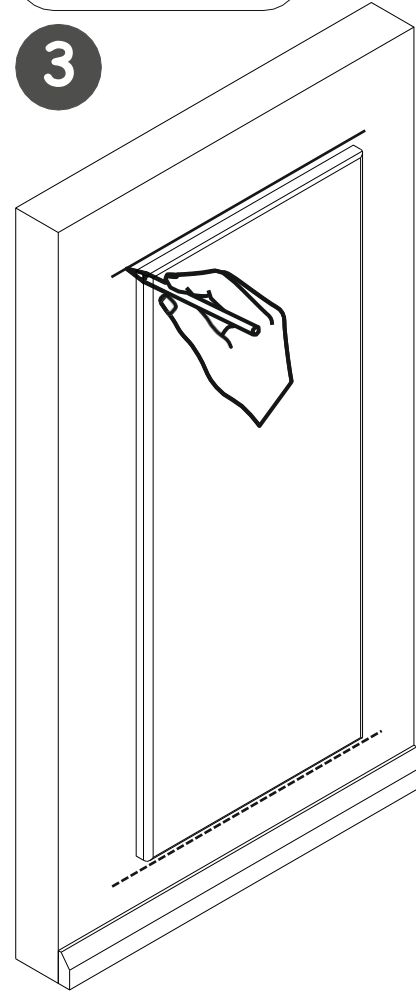
Draw a line between two points using the level or the wall hanging wood sent to you

2



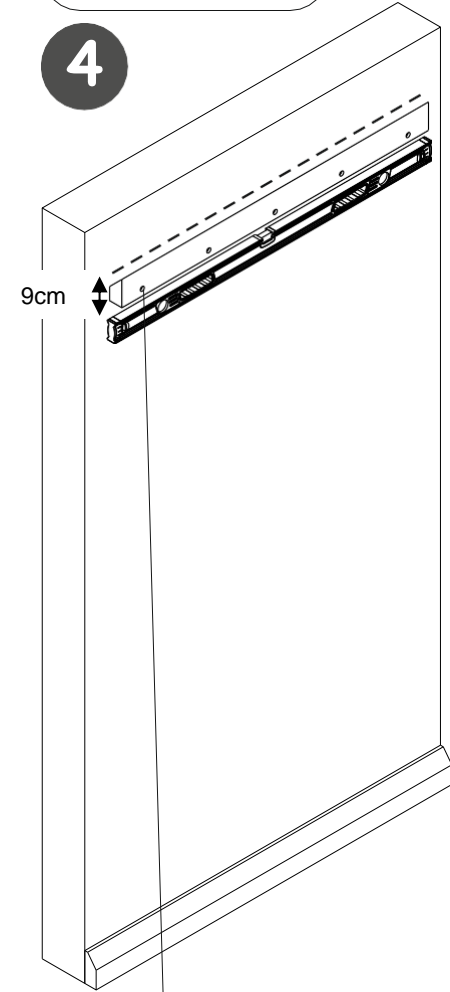
Draw a line at the top by placing the headboard against the wall.

3



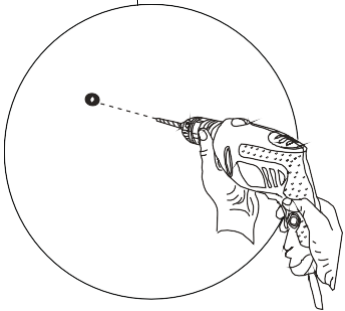
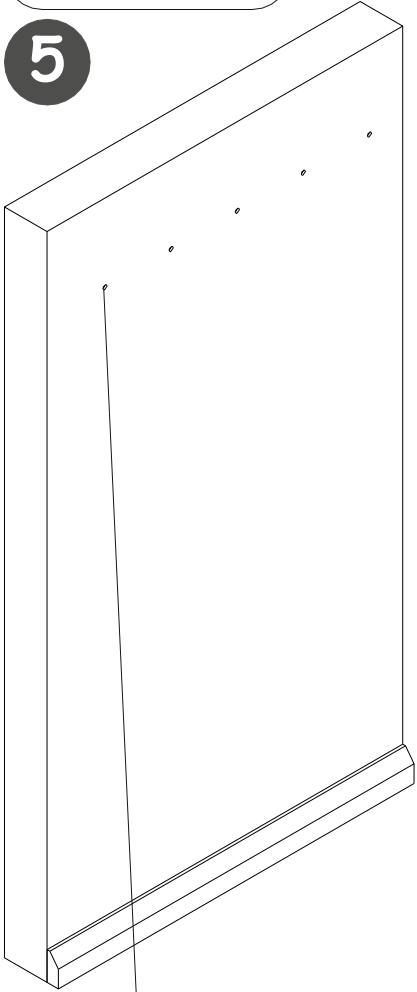
Place the wall hanging wood against the wall and first check its balance with a spirit level, then mark the wall through the holes.

4



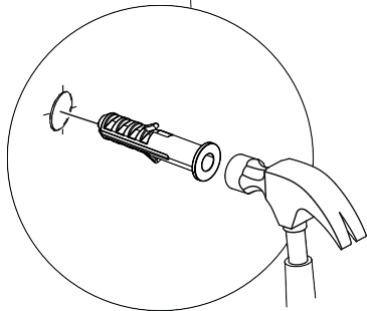
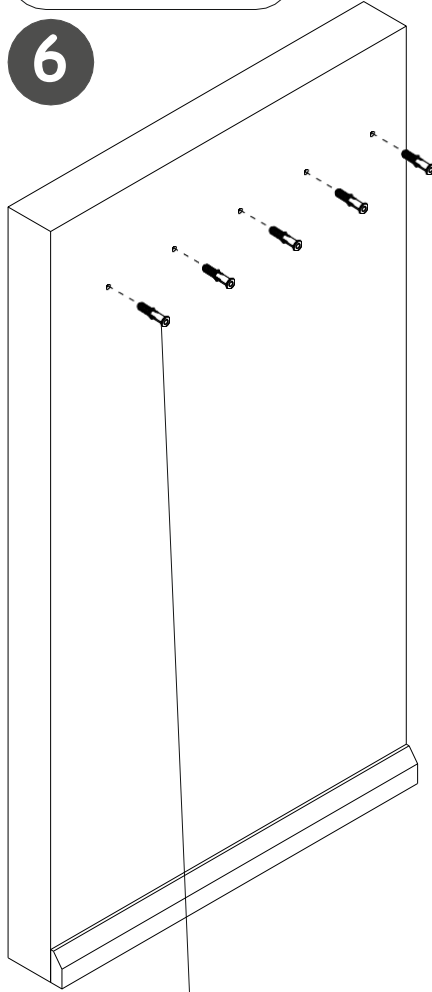
Drill holes in the wall according to the plastic dowel you will use

5



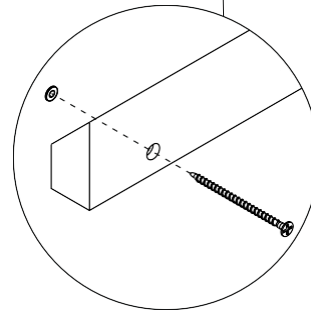
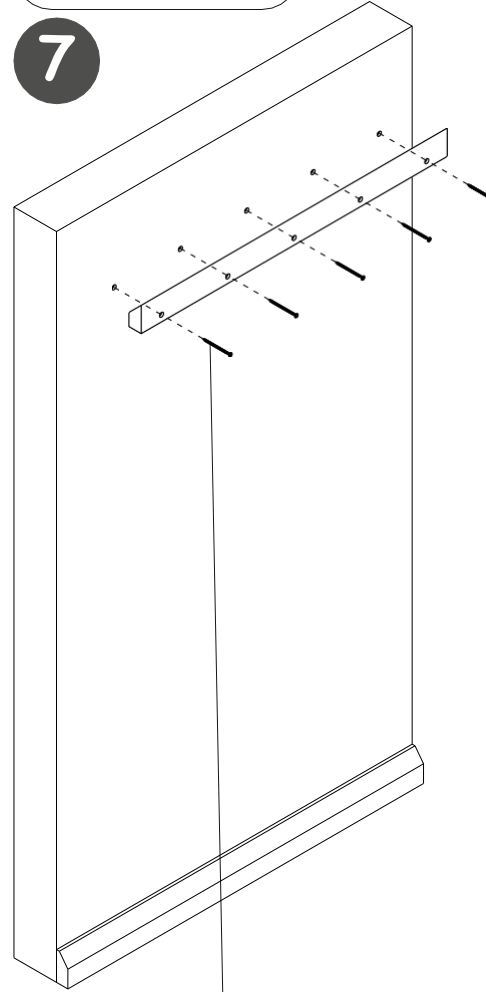
Insert the plastic anchors into the wall.

6



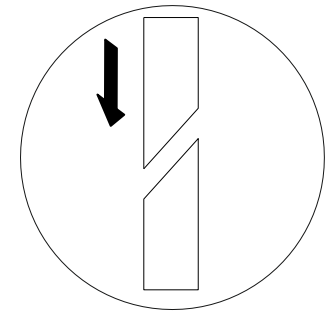
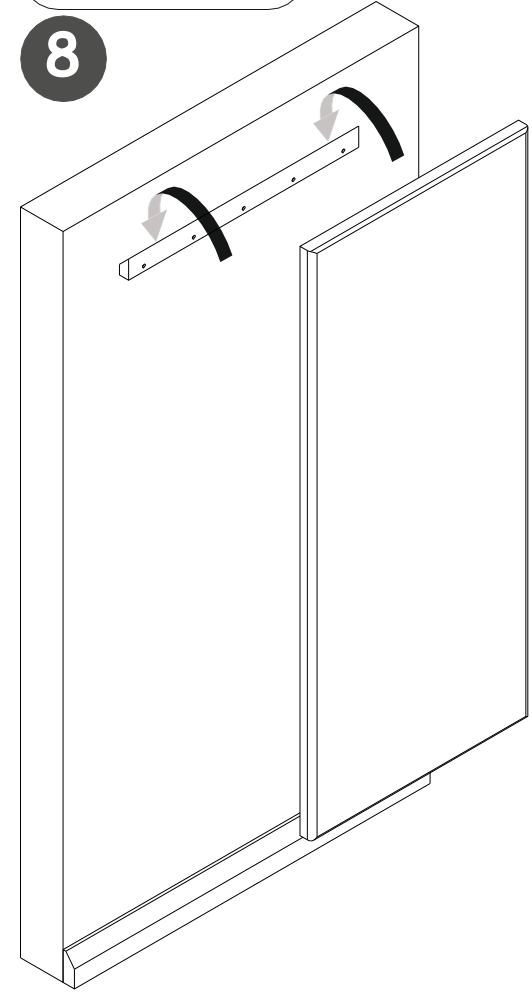
Screw the wall hanging wood to the wall.

7

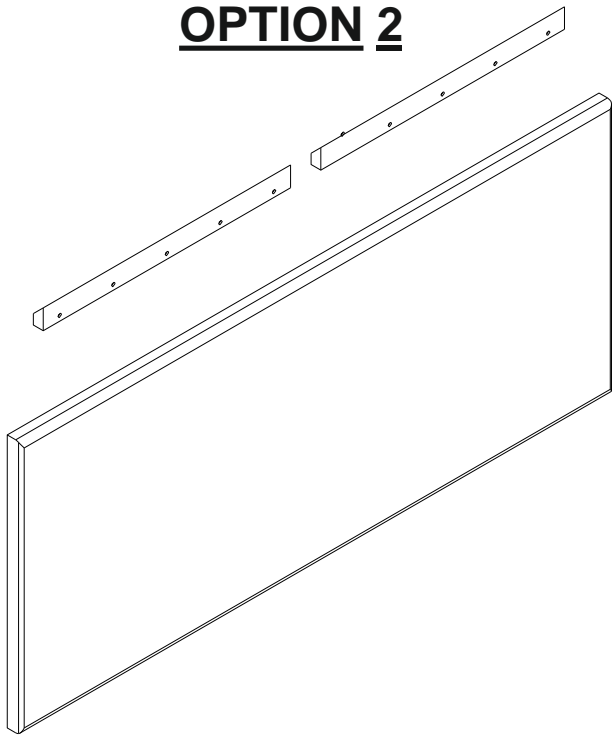


Hang the headboard on the wall. Continue hanging the other headboards in the same way.

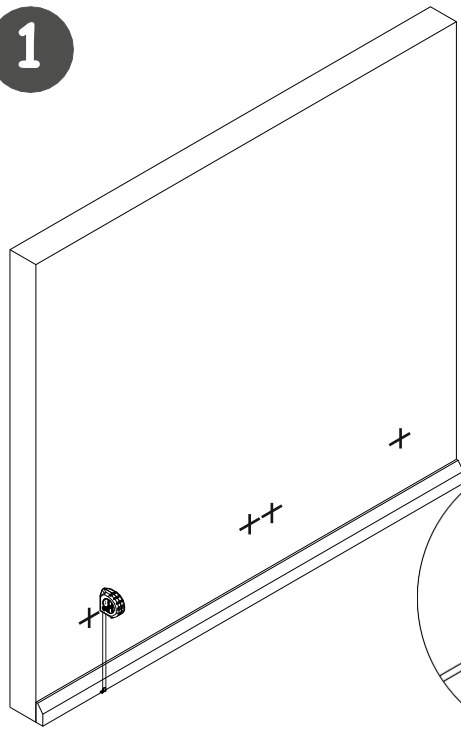
8



OPTION 2

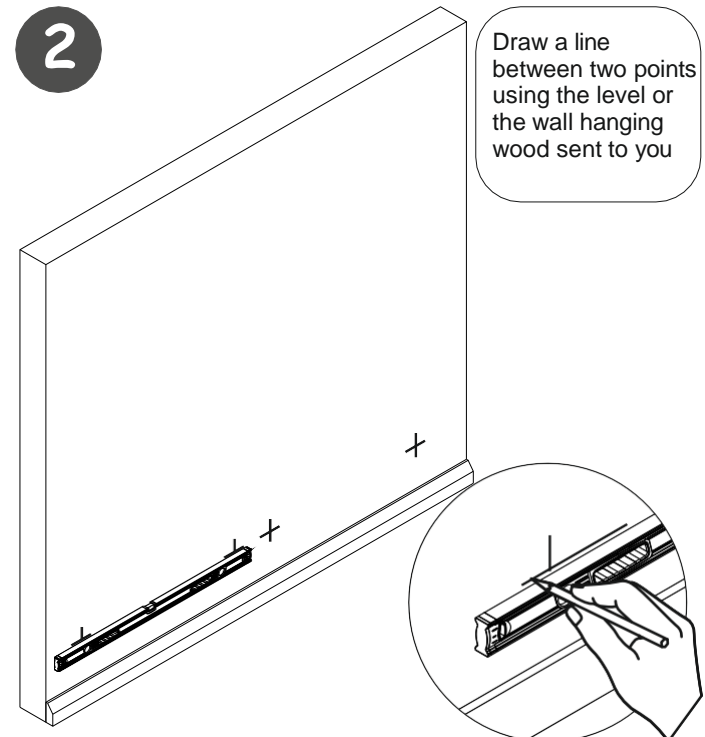


1



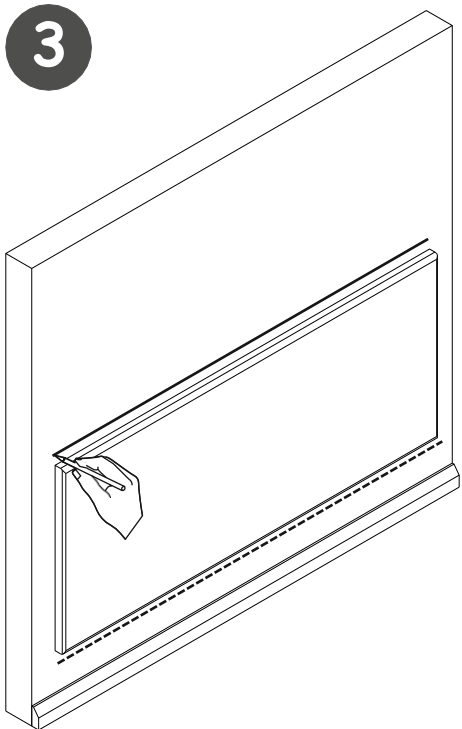
Measure the distance according to how high you want to hang it from the floor.

2



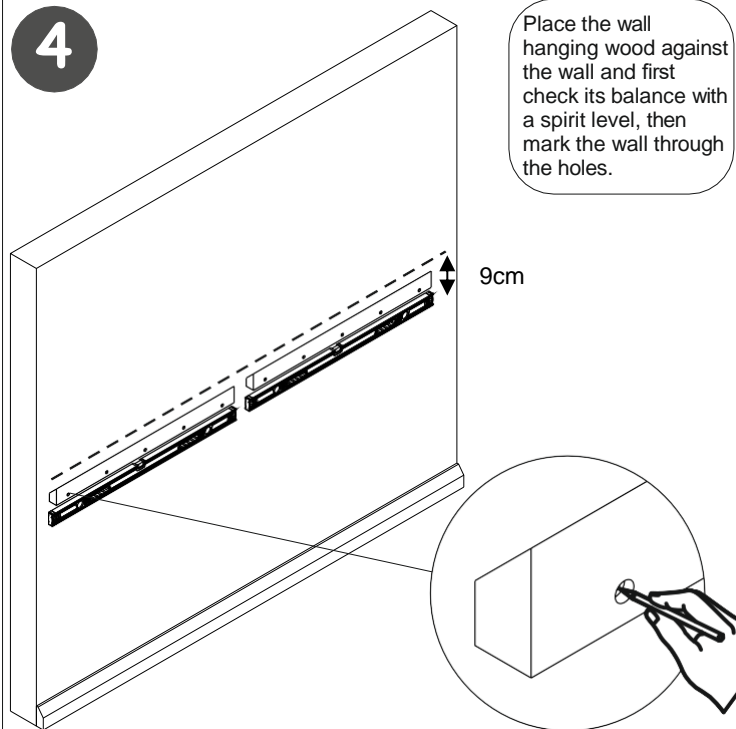
Draw a line between two points using the level or the wall hanging wood sent to you

3



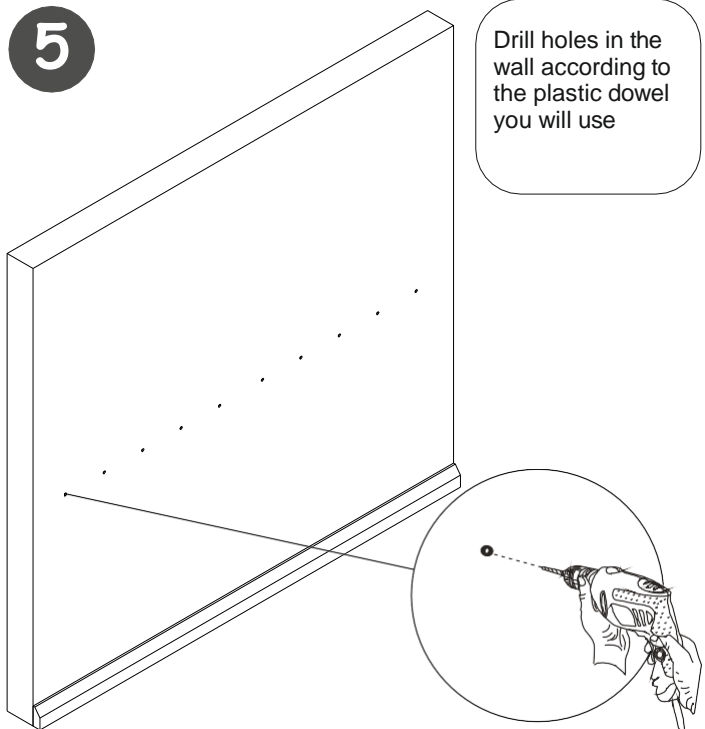
Draw a line at the top by placing the headboard against the wall.

4



Place the wall hanging wood against the wall and first check its balance with a spirit level, then mark the wall through the holes.

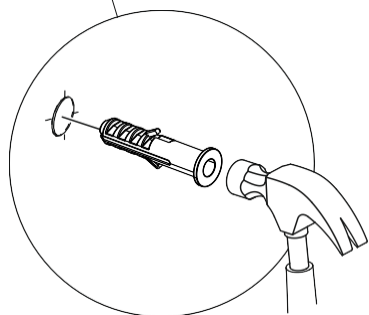
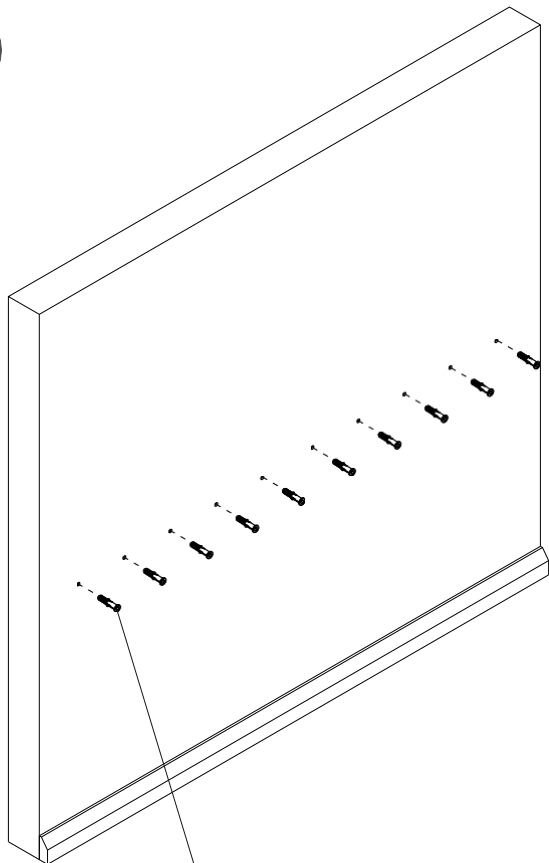
5



Drill holes in the wall according to the plastic dowel you will use

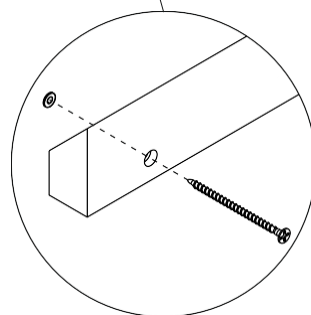
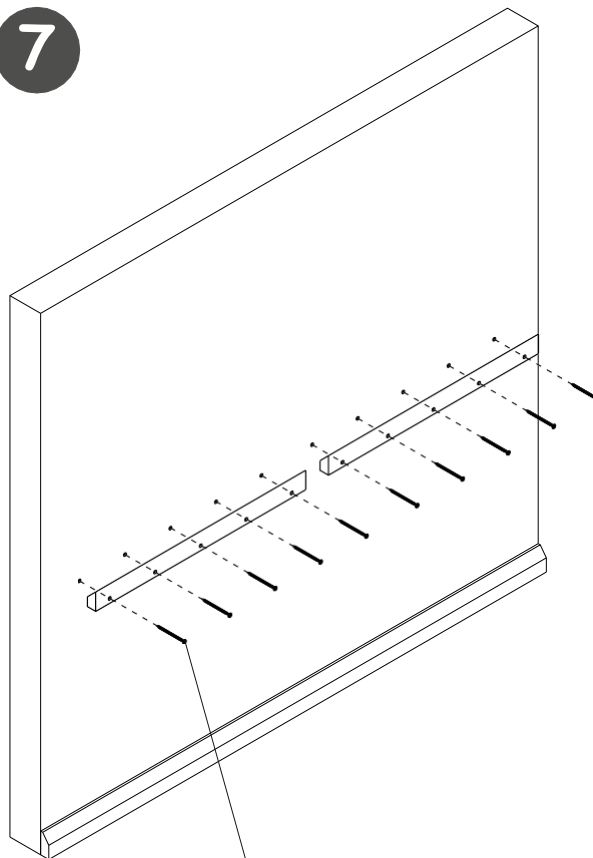
Insert the plastic anchors into the wall.

6



Screw the wall hanging wood to the wall.

7



Hang the headboard on the wall.
Continue hanging the other headboards in the same way.

8

