

Thank you for purchasing this light fitting. Please read the instructions carefully before use to ensure safe and satisfactory operation of this product. Please keep these instructions for future reference.

## **Warnings!**

This is a Class I product. This fitting must be connected to Earth. The terminal blocks are supplied according to requirements of the fitting. This product is only suitable for connection to a 240V~50Hz supply in accordance with current IEE wiring regulations. It should be installed in accordance with local building regulations.

This product is IP44 rated and is suitable for outdoor use.

This product uses an integrated LED module and LED driver which cannot be replaced. If damage occurs or reaches its end of life, the product should be scrapped.

Before installing your light fitting always switch off the mains supply and remove the appropriate fuse or switch off the appropriate circuit breaker before commencing installation.

If replacing an existing fitting, make a careful note of the connections.

This product is suitable for installation on surfaces with normal flammability e.g. wood, masonry. It is not suitable for use on highly flammable surfaces or in flammable atmospheres.

If you are in any doubt about your competence please consult a qualified electrician.

If any modification is made it will invalidate the warranty and may render the product unsafe.

Keep children and animals away from the assembly area.

This fitting contains small parts that could cause choking if swallowed.

Keep all plastic wrapping materials away from children to avoid danger of suffocation.

Ensure that all packaging is disposed of carefully and responsibly.

## **Fixing Instructions**

Make sure you have the following items which are required to install this light fitting:

Small electrical screwdriver, cross head screwdriver & insulation tape.

### **Step 1**

Decide on the position of the light fitting, or remove existing light fitting. Note the position of the electrical connections. Ensure there is a solid mounting surface, preferably a brick wall, to support the weight of the light fitting.

### **Step 2**

Using the supplied hex key, remove the two small screws **(1)** from the product and lift the light fitting body away from the wall back **(2)**. Keep the screws in a safe place for use later.

### **Step 3**

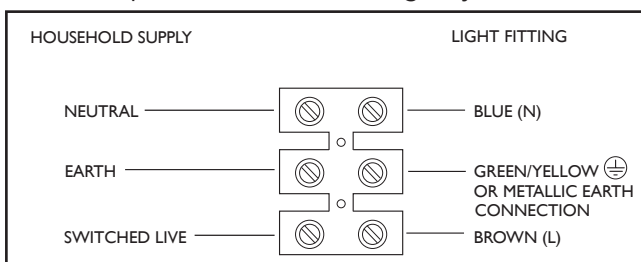
Using the wall back as a template, mark the position of the mounting holes. Drill holes and fit supplied wall plugs **(3)** (suitable for masonry only - for other surfaces use appropriate fixings). Take care not to damage any wiring or pipes when drilling the holes.

### **Step 4**

Carefully pierce a small hole in the rubber grommet **(4)** in the centre of the wall back to allow the cable to pass through. Feed the incoming mains supply cable through the grommet entry hole. This will act as a water ingress guard. Secure to the wall using the supplied rubber washers and screws **(5)**.

### **Step 5**

Having identified the household wiring from your existing light fitting, connect to the connection block **(6)** inside the product in the following way:



### **Check that...**

You have correctly identified the house wires.

The connections are tight.

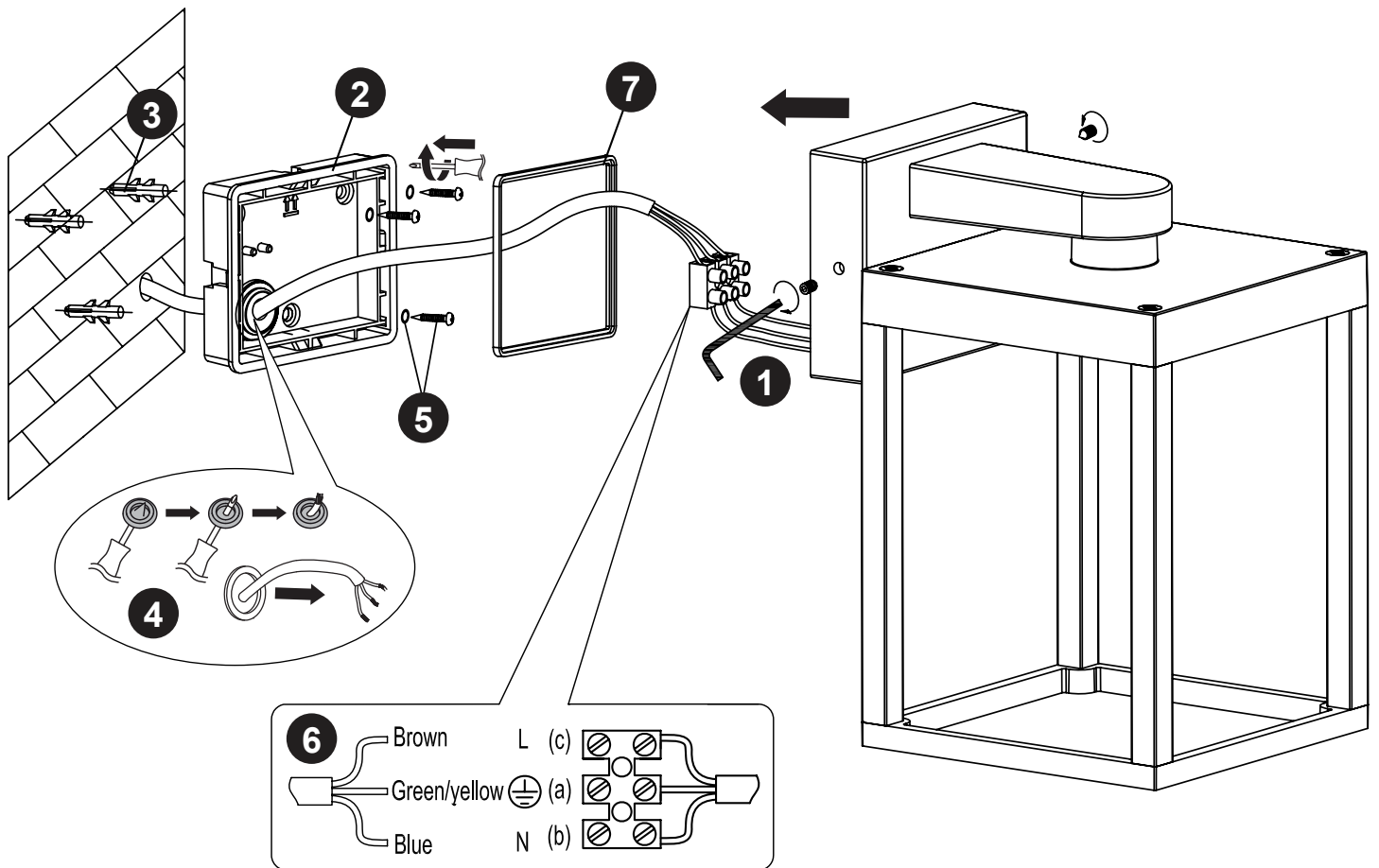
No loose strands have been left out of the connection block.

### **Step 6**

Fit the rubber seal **(7)** and re-attach the product to the wall back using the screws removed in step 2. Take care not to trap any wiring. Make sure the product is correctly orientated with the shade facing downwards and the rubber seal is securely fixed to maintain moisture protection.

### **Step 7**

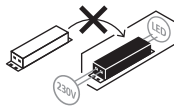
Turn on the power and test.



This product contains a light source of energy efficiency class D.



Non-replaceable light source




Non-replaceable control gear

### Care and cleaning

Finish - We recommend cleaning with a soft dry cloth. Do not use abrasive materials as these will damage the finish.

Our packaging is recyclable, please recycle where facilities exist.

 Waste electrical products should not be disposed of with household waste. Please recycle where facilities exist. Check with your Local Authority or retailer for recycling advice.

**— We're happy to recycle your old light for free. Simply bring it to store within 28 days of purchase of your new light, with your receipt, and we'll make sure your old light stays out of landfill.**

**dunelm.com**

Manufactured in China for  
Dunelm (Soft Furnishings) Ltd. LE7 1AD  
& Dunelm (Soft Furnishings)  
Londonderry Ltd. BT48 8QN

