

Thank you for purchasing this light fitting. Please read the instructions carefully before use to ensure safe and satisfactory operation of this product. Please keep these instructions for future reference.

Warnings!

This is a Class II product and must NOT be earthed. This product is suitable for indoor use only and is not suitable for a bathroom or outdoor location.
Please read these instructions carefully before commencing any work.
When manoeuvring or assembling this product, it must be lifted from the bottom section.
Under no circumstances must this table lamp be covered with any material as this could pose a safety hazard.
The lamp must be protected by a 3 amp fuse in the mains plug.
If you are in any doubt, please consult a qualified electrician.
For your safety, always switch off the supply before cleaning or changing the bulb.
If the mains cable becomes damaged it must only be replaced by a technically competent, qualified person.
Always use correct type and wattage bulb. Never exceed the wattage stated.
This product is designed to be clipped on to a secure surface and connected to a mains power outlet via the supplied 3-pin plug. Do not remove the plug and connect by other means. Do not clip onto cylindrical/tubular objects.
Please ensure that the surface is suitable to clip the light on securely and without damaging the surface.
The clip part of this product is designed with safety in mind. It may be a little stiff in order to provide enough grip to bear the weight of the product.
DO NOT switch the light on until you have made sure it is clipped on securely and will not move.
IMPORTANT: Children can become entangled in loose cables. Ensure excessive loops of cable are secured against the wall using the retaining clips. Do not use this product in children's bedrooms.

Step 1

Carefully unpack the carton, making sure all the parts are present before assembly.

Step 2

Using the supplied suction tool (1) fit the bulb (2). Max. 7W LED GU10.

NOTE: Never fit bulbs of a higher wattage than those specified on the label.

To remove bulbs turn one quarter turn anticlockwise and gently pull out.

Step 3

Attach the lamp to the mounting surface (such as a desk or shelf) by squeezing together the ends of the metal clip (3).

NOTE: The metal clip will open to a maximum of 2cms only. Do not attach to surfaces wider than 2cms.

Step 4

Plug into the mains. Your task lamp is now ready for use.

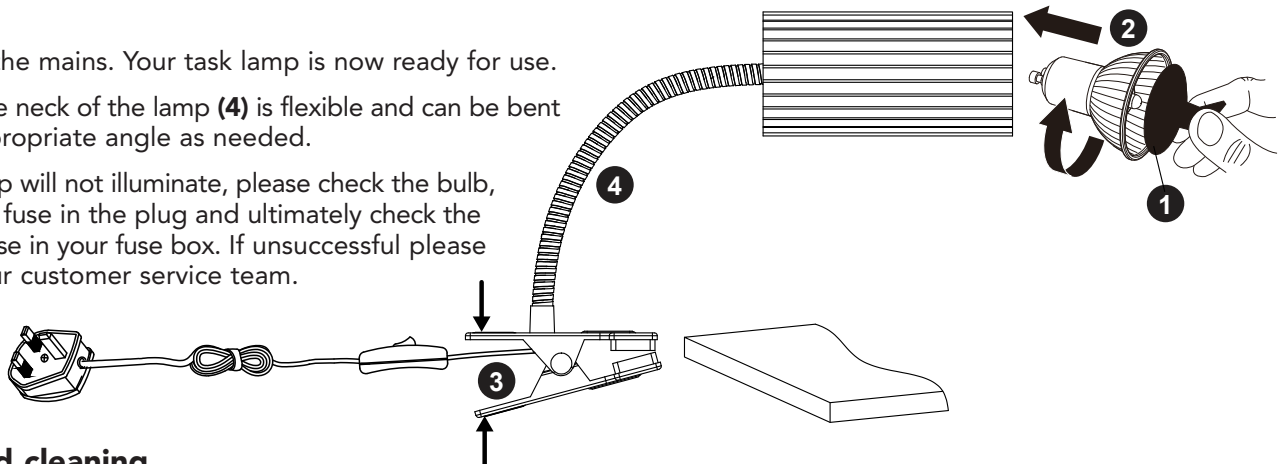
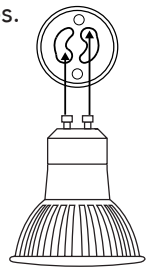
NOTE: The neck of the lamp (4) is flexible and can be bent to the appropriate angle as needed.

If your lamp will not illuminate, please check the bulb, the 3 amp fuse in the plug and ultimately check the relevant fuse in your fuse box. If unsuccessful please contact our customer service team.

Fitting a GU10 bulb

Fit bulb pins into round holes.

Then twist clockwise to lock.



Care and cleaning

Finish - We recommend cleaning with a soft dry cloth. Do not use abrasive materials as these will damage the finish. Our packaging is recyclable, please recycle where facilities exist.

Waste electrical products should not be disposed of with household waste. Please recycle where facilities exist. Check with your Local Authority or retailer for recycling advice.

— We're happy to recycle your old light for free. Simply bring it to store within 28 days of purchase of your new light, with your receipt, and we'll make sure your old light stays out of landfill.

dunelm.com

Manufactured in China for
Dunelm (Soft Furnishings) Ltd. LE7 1AD
& Dunelm (Soft Furnishings)
Londonderry Ltd. BT48 8QN