



Argente LED Picture Wall Light Installation Instructions

30921673
30921674
30921675
23/10/2024

Thank you for purchasing this light fitting. Please read the instructions carefully before use to ensure safe and satisfactory operation of this product. Please keep these instructions for future reference.

Warnings!

- This product is suitable for indoor use only. It is not suitable for a bathroom location.
- Never put anything on the product or hang anything on any part of this product.
- Take care not to drop the product and the battery box.
- Do not let this product come into contact with heat.
- Do not operate in moist or humid conditions.
- The light source contained in this luminaire shall only be replaced by the manufacturer or his service agent or a similar qualified person.
- If any modification is made it will invalidate the warranty and may render the product unsafe.
- Keep children and animals away from the assembly area.
- Keep all plastic wrapping materials away from children to avoid danger of suffocation.
- Ensure that all packaging is disposed of carefully and responsibly.

Battery Care And Maintenance Advice

- Batteries are to be inserted with correct polarity and always follow the product and battery manufacturers instructions.
- Never mix old and new batteries (replace all batteries at the same time).
- Never mix Alkaline, Lithium and standard (Carbon Zinc).
- Only batteries of the same or equivalent type as recommended are to be used.
- Non-rechargeable batteries are not to be recharged.
- Remove batteries from the product before extended storage and disposal of the product.
- Exhausted batteries must be removed from the product.
- Do not short circuit the battery terminals.
- Do not dispose of batteries in a fire, batteries may explode or leak.
- Do not allow water to come into contact with the batteries.
- Batteries may explode or leak if misused.
- Batteries should be installed by an adult only.
- This product is suitable for use with rechargeable batteries.
- Remove rechargeable batteries from the product before charging.
- Batteries are to be charged under adult supervision only.
- Small batteries may present a choking hazard - keep away from young children and pets.

Fixing Instructions

Make sure you have the following items which are required to install this light fitting:
Small electrical screwdriver & cross head screwdriver.

Step 1

Decide on the position of the light fitting or remove existing light fitting and ensure there is a solid mounting surface to support the weight of the light fitting.

Step 2

Remove the mounting bracket from the product by undoing the top and bottom finials **(1)**. Retain the finials for reuse later.

Step 3

Using the mounting bracket as a template, mark the position of the mounting holes **(2)**.

Step 4

Taking care to avoid damaging concealed wires and pipes, drill holes and fit supplied wall plugs (suitable for masonry only - for other surfaces use appropriate fixings). Fix the mounting bracket to the wall using the supplied screws **(3)**.

Step 5

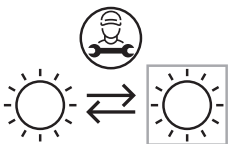
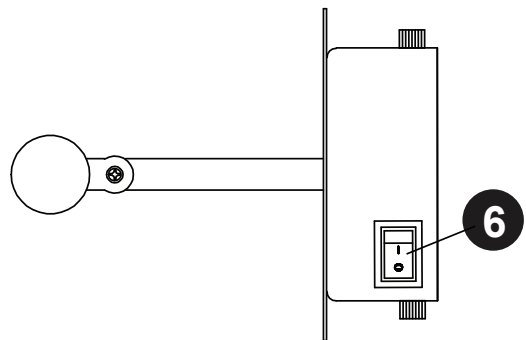
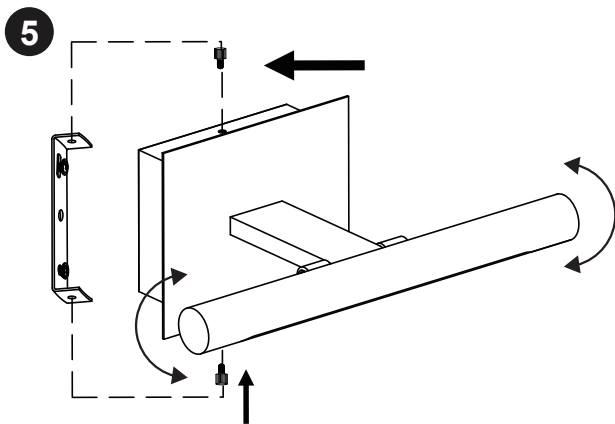
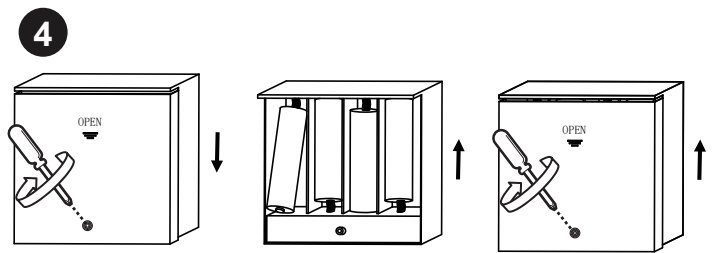
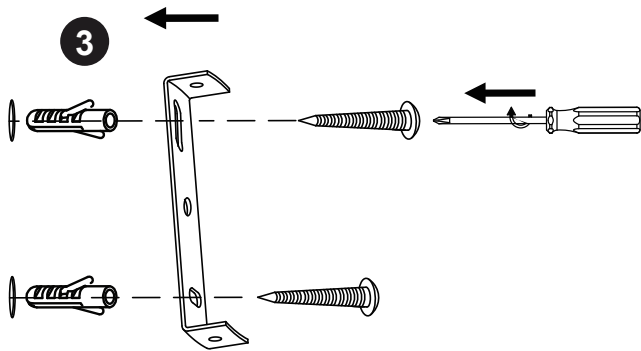
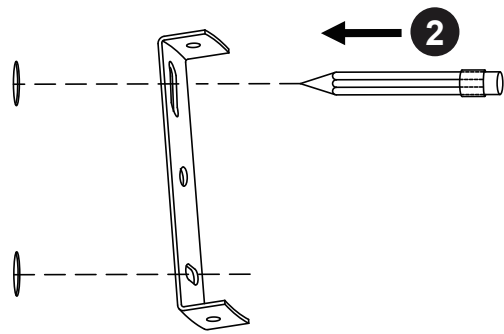
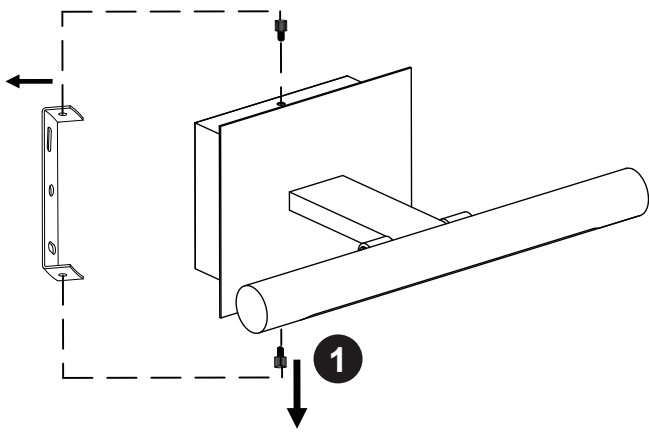
Open the battery box and fit the batteries (4 x 1.5V "AA" batteries), observing correct polarity and battery advice. Refit the lid onto battery box **(4)**.

Step 6

Refit the product to the mounting bracket using the finials removed in step 2 and tighten to secure **(5)**. This product can be mounted horizontally only with the LEDs facing downwards. Make sure the switch is positioned bottom right on the side of the product.

Step 7

Use the switch on the side of the product to turn on your light **(6)**.


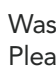


Replaceable light source by a professional

Care and cleaning

Finish - We recommend cleaning with a soft dry cloth. Do not use abrasive materials as these will damage the finish.

Our packaging is recyclable, please recycle where facilities exist.

-  Waste electrical products should not be disposed of with household waste.
-  Please recycle where facilities exist. Check with your Local Authority or retailer for recycling advice.

— We're happy to recycle your old light for free. Simply bring it to store within 28 days of purchase of your new light, with your receipt, and we'll make sure your old light stays out of landfill.

dunelm.com

Manufactured in China for
Dunelm (Soft Furnishings) Ltd. LE7 1AD
& Dunelm (Soft Furnishings)
Londonderry Ltd. BT48 8QN

