

Thank you for purchasing this light fitting. Please read the instructions carefully before use to ensure safe and satisfactory operation of this product. Please keep these instructions for future reference.

## **Warnings!**

This product is only suitable for connection to a 240V~50Hz supply in accordance with current IEE Wiring Regulations. It is for indoor use only, and not suitable for a bathroom location.

This plug-in wall light is designed for easy installation to a wall or other stable vertical surface. No electrical wiring is required, but fixing holes need to be drilled into the mounting surface. Always check for concealed wiring and pipes before drilling holes.

This fitting is a Class II, double insulated product. It does not require an Earth, and Live or Neutral must not be connected to Earth.

The lamp must be protected by a 3 amp fuse in the mains plug. Do not plug into the mains until your lamp is fully assembled. This product is not suitable for persons under 14 years of age.

Under no circumstances must this lamp be covered with any material as this could pose a safety hazard.

It must be used on a stable surface that can support the weight of the fitting.

Never fit bulbs of a higher wattage than those specified on the label, as these may cause overheating and damage the fitting.

This product contains delicate parts – be careful during handling and maintenance to avoid breakage.

If the mains cable becomes damaged it must only be replaced by a technically competent, qualified person.

**IMPORTANT: Children can become entangled in loose cables. Ensure excessive loops of cable are secured against the wall using the supplied retaining clips. Do not use this product in children's bedrooms.**

Allow 10 minutes to cool before replacing, adjusting or cleaning.

If you are in any doubt about your competence please consult a qualified electrician.

If any modification is made it will invalidate the warranty and may render the product unsafe.

## **Fixing Instructions**

Make sure you have the following items which are required to install this light fitting:

Small electrical screwdriver and cross head screwdriver.

### **Step 1**

Decide on the position of the light fitting. This needs to be where the product can be mounted to a suitable surface to support the product weight and where the plug can reach a mains outlet socket.

### **Step 2**

Remove the mounting bracket **(1)** from the product by undoing the two side screws **(2)**. Keep the screws in a safe place for use later.

### **Step 3**

Using the mounting bracket as a template, mark the position of the mounting holes. Drill holes and fit supplied wall plugs **(3)** (suitable for masonry only - for other surfaces use appropriate fixings). Take care not to damage any wiring or pipes when drilling the holes.

### **Step 4**

Secure the mounting bracket to the wall using the screws **(4)**.

### **Step 5**

Refit the product onto the wall and secure with the screws removed in Step 2. Tighten the screws to secure. Take care not to trap any wiring.

### **Step 6**

Fit the bulb **(5)**. Max 5W LED G9. **NOTE: Never fit bulbs of a higher wattage than those specified on the label (as these may cause overheating and damage the fitting).**

### **Step 7**

To fit the shade **(6)** first remove the shade ring **(7)** from the threaded lampholder. Place the shade over the lampholder and refit the shade ring using the supplied shade ring tool **(8)**. Tighten to secure.

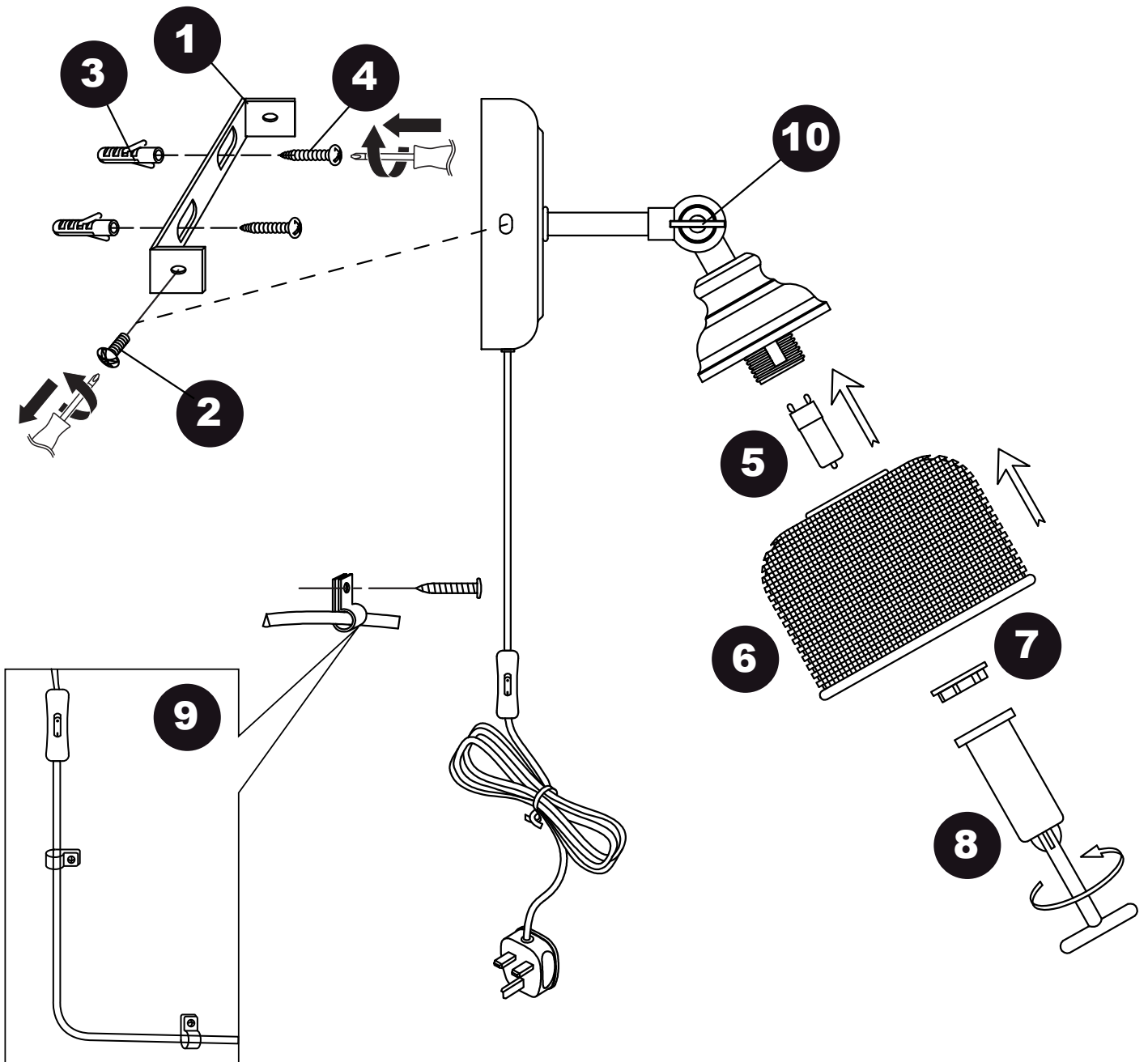
### **Step 8**

**IMPORTANT: Children can become entangled in loose cables. Ensure excessive loops of cable are secured against the wall using the supplied retaining clips (9). Do not use this product in children's bedrooms.**

### **Step 9**

Insert the mains plug into the outlet socket and switch on. Operate the inline switch to switch on the light.

**Note:** The position of the shade can be adjusted by partially loosening the thumb screw in the join of the shade and arm **(10)**.




## Care and cleaning

**Finish** - We recommend cleaning with a soft dry cloth. Do not use abrasive materials as these will damage the finish.

**Glass parts** - Remove and wash in warm water or just use a damp cloth. Do not use abrasive materials as these will damage the finish. Take care when handling glass parts to avoid damage or injury.

Our packaging is recyclable, please recycle where facilities exist.

 Waste electrical products should not be disposed of with household waste. Please recycle where facilities exist. Check with your Local Authority or retailer for recycling advice.

 **We're happy to recycle your old light for free. Simply bring it to store within 28 days of purchase of your new light, with your receipt, and we'll make sure your old light stays out of landfill.**

**dunelm.com**

Manufactured in China for  
Dunelm (Soft Furnishings) Ltd. LE7 1AD  
& Dunelm (Soft Furnishings)  
Londonderry Ltd. BT48 8QN

