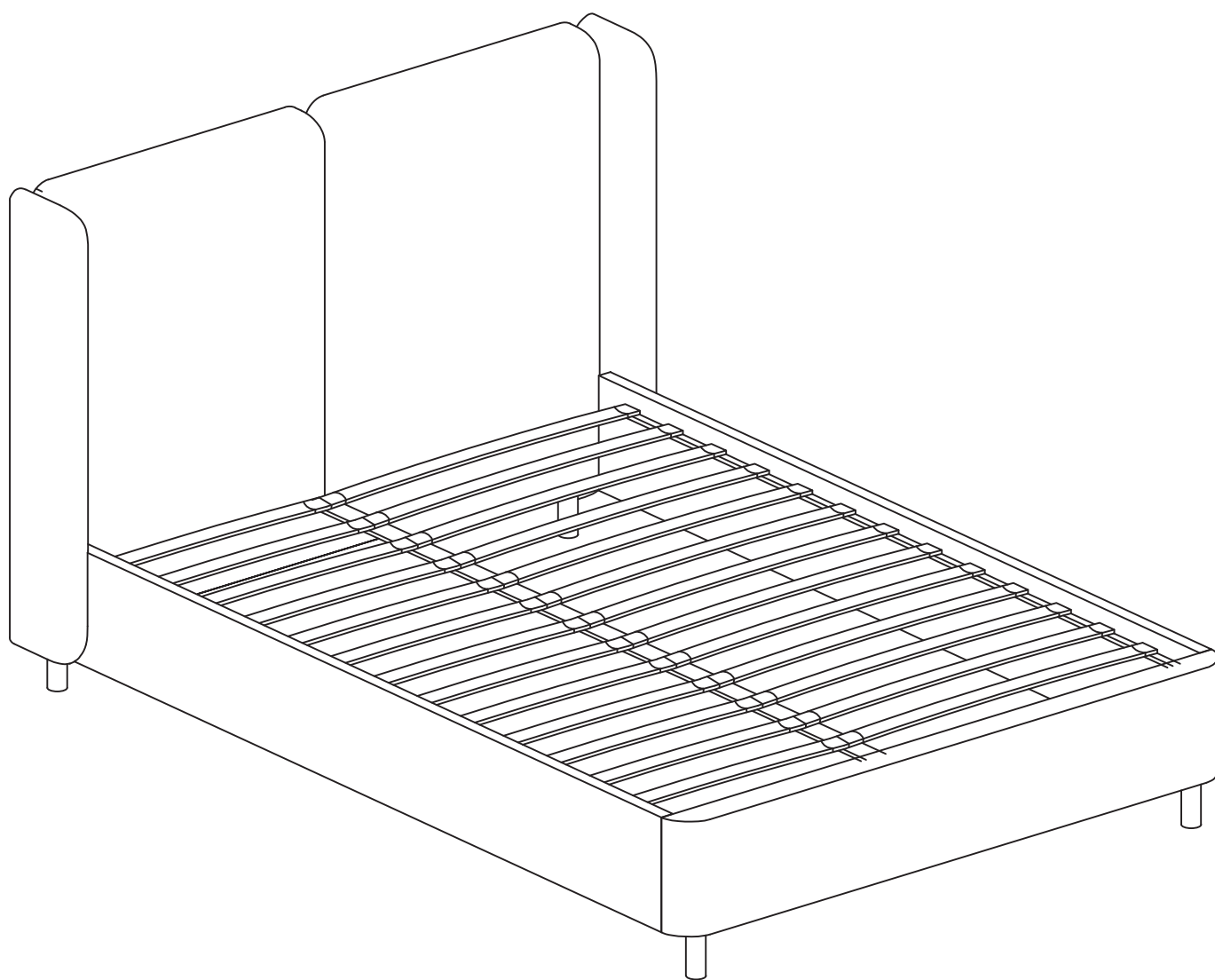


Cocoon bed

Instructions



Dunelm

www.dunelm.com

Thank You

Dear Customer

Thank you for purchasing your new piece of furniture from Dunelm. We put a lot of effort in the design and construction of our products to ensure they set the standard for quality, durability and ease of assembly. If for any reason you feel we haven't lived up to the high standards we set ourselves, please don't hesitate in contacting us on 03451 656565 where our team will be very keen to understand what has gone wrong and, more importantly, put it right.

The next step...

There is no need to feel daunted by the number of parts and fittings in front of you, we have compiled this straight forward, step-by-step guide to make sure that assembling your furniture is as easy as 1, 2, 3.

Before you begin, we advise that you check that you have everything you need to get started.

Top tip

Find a space to spread everything out across the floor before you begin assembling the item. Lay each panel down on a clean and level area, ideally in the room of intended use, ensuring there is enough room to manoeuvre around the item. It is recommended that two people assemble this product together. The full list of furniture parts, fixtures and fittings, as well as the tools you will need for assembly can be found on in this manual.

Top tip

Identify all the fittings, make sure that you have them all prepared and familiarise yourself with each component to make things easier when you are putting it all together.

Safety and care advice

IMPORTANT - The first step you need to take is to ensure your safety! Please take the time to read and understand these instructions before assembling your furniture.

Please keep these instructions for future reference.

Keep children and animals away from the assembly area. This furniture contains small parts that could cause choking if swallowed.

Keep all plastic wrapping materials away from babies and children to avoid danger of suffocation.

Ensure that all packaging is disposed of carefully and responsibly.

From time to time check that there are no loose fittings on the unit, re-tighten when necessary.

Two people may be required for the assembly of this product.

Once items are part or fully assembled they are not returnable unless faulty.

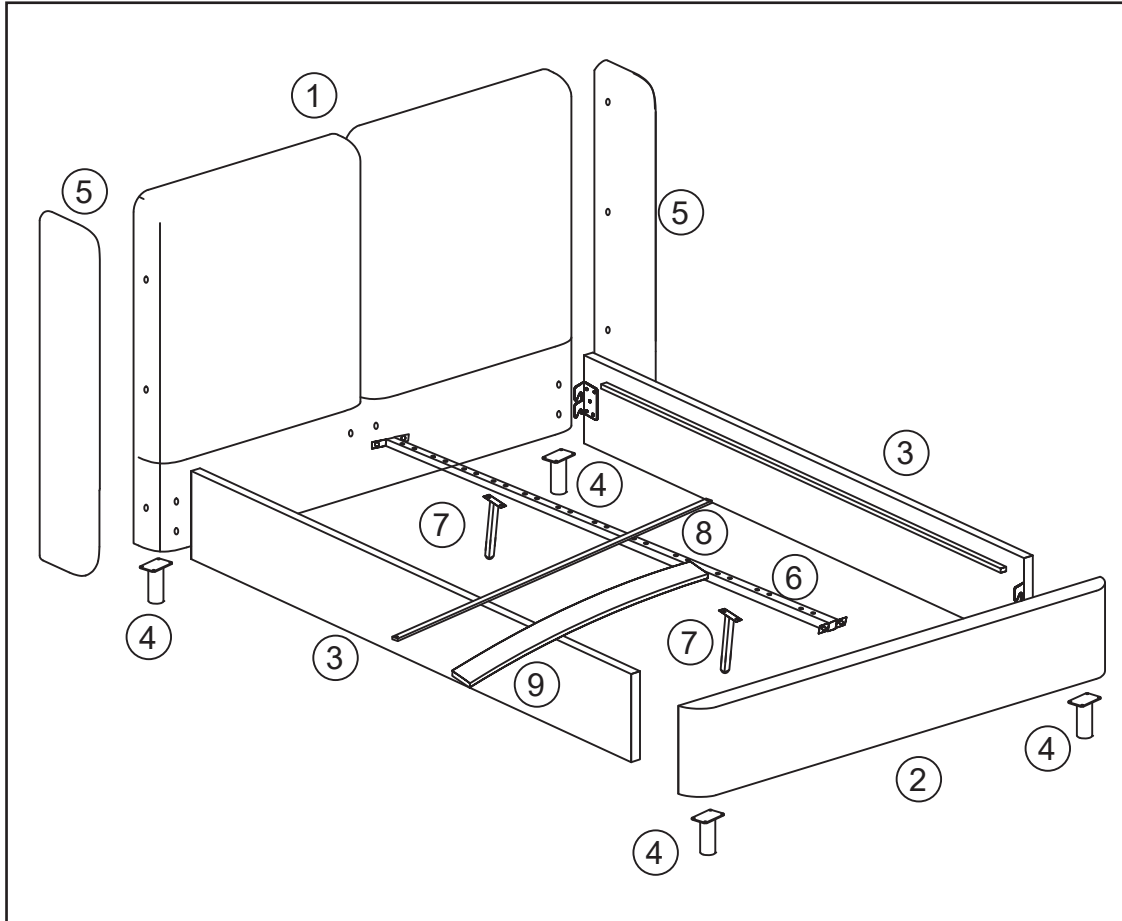
This item is not for outdoor use – unless stated otherwise.

Some items will be supplied with a wall fixing strap which we recommend is used to secure the item

Furniture can be dangerous if incorrectly assembled.

Assembly should be carried out by a competent person. No liability will be accepted for damage or injury caused by incorrectly assembled furniture.

Component Parts Supplied



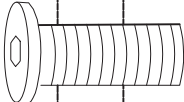
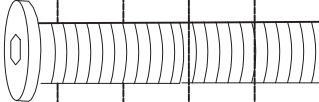
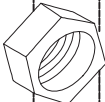
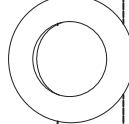
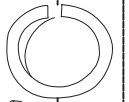
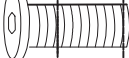
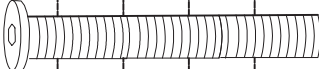
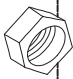


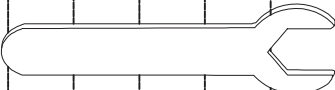
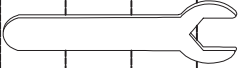
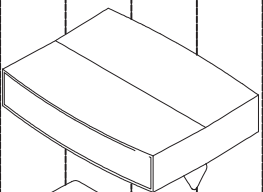
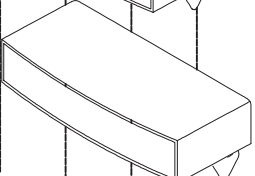
REF	Description	Dimensions	QTY
1	Headboard	Double:1440x940x110 King :1590x940x110	1
2	Footboard	Double:1440x200x70 King :1590x200x70	1
3	Siderail	Double:1920x200x30 King :2020x200x30	2
4	Leg	100x30	4
5	Wing	940x250x70	2

REF	Description	Dimensions	QTY
6	Centre support bar	Double:1920x40x20 King :2020x40x20	1
7	Centre support leg	205x25	2
8	Cross bar	Double:1370x20x10 King :1520x20x10	1
9	Slat	Double:680x53x8 King :755x53x8	30 32

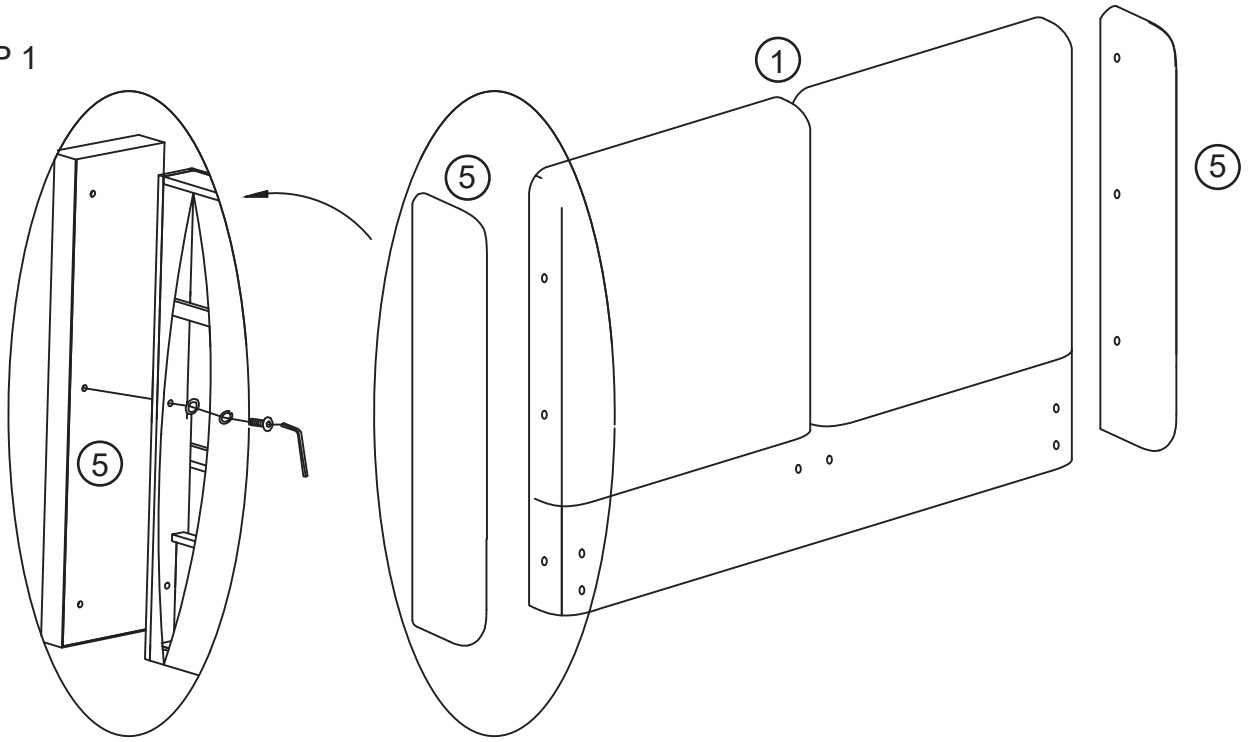
Parts and Fittings

Fittings to scale (actual size)

mm 10 20 30 40 50 60 70 80 90 100

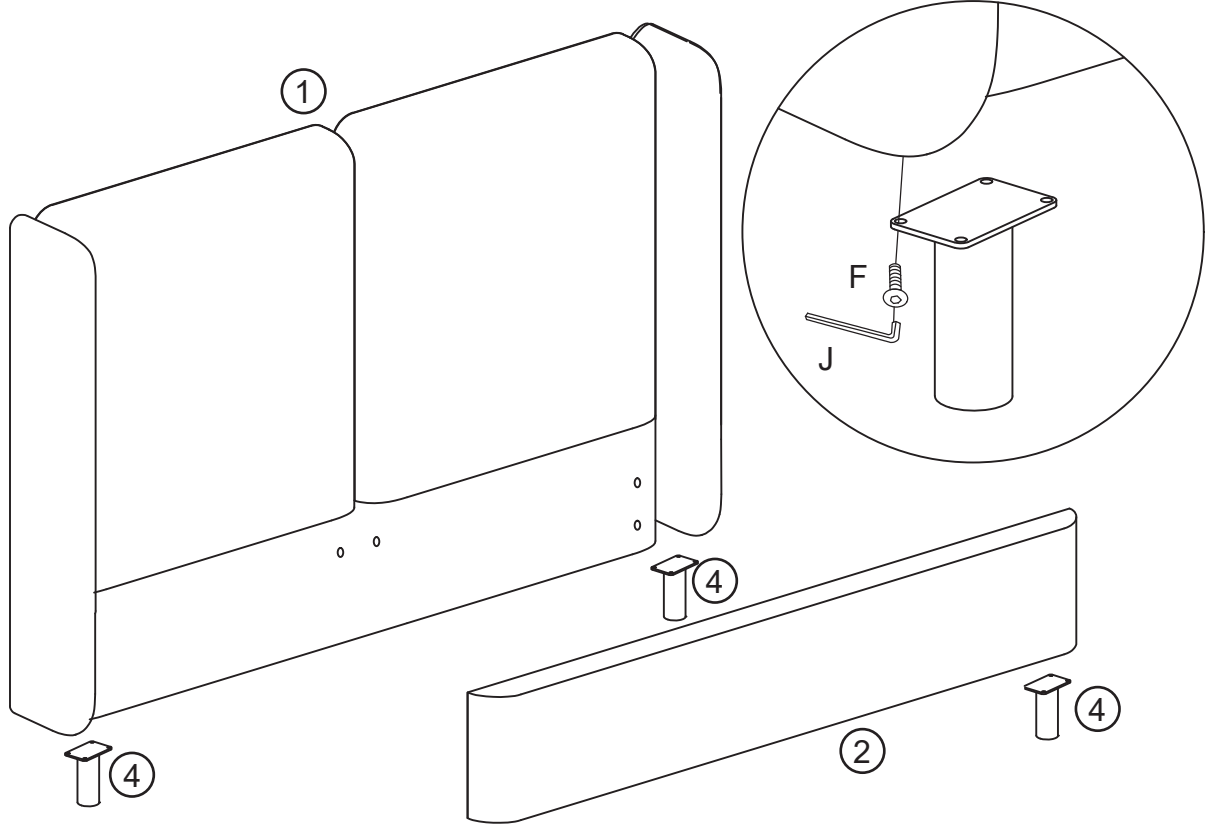
REF	Dimensions	QTY	
A	Bolt M8*30mm	16	
B	Bolt M8*50mm	6	
C	Nut M8	4	
D	Flat washer 8*22mm	14	
E	Spring washer 8*12mm	14	
F	Bolt M6*20mm	16	
G	Bolt M6*50mm	2	
H	Nut M6	2	
I	Allen key M8	1	
J	Allen key M6	1	
K	Spanner M8	1	
L	Spanner M6	1	
M	Double plastic cap	Double: 15 King: 16	
N	Single plastic cap	Double: 30 King: 32	

STEP 1



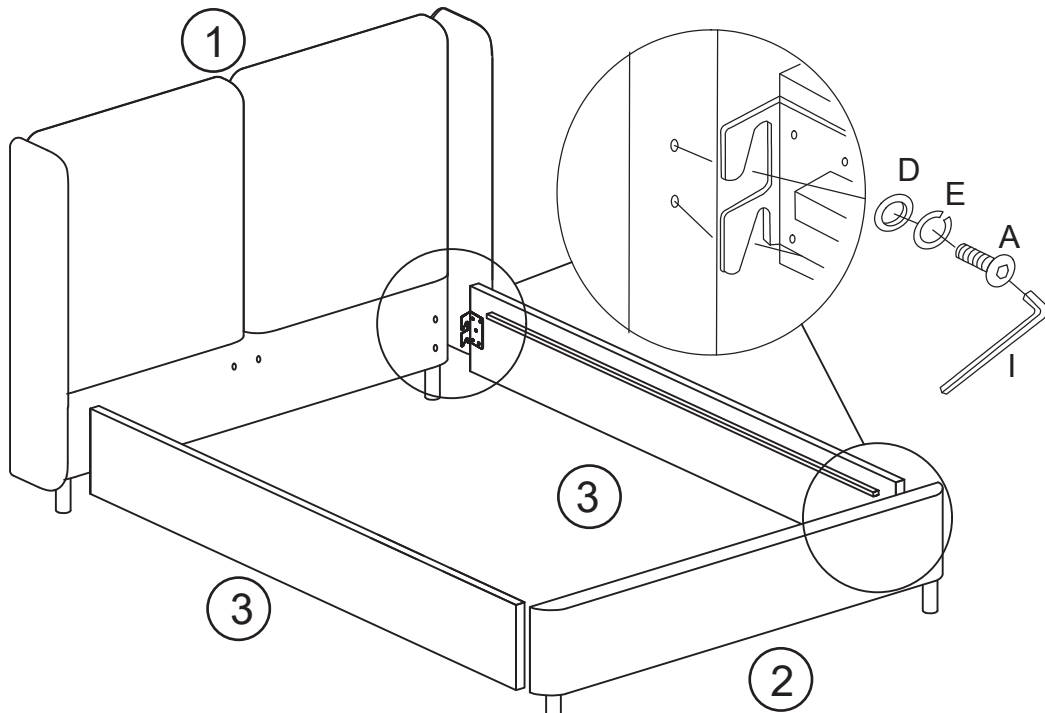
- I  Allen Key
- B  M8*50 6pcs
- D  8*22 6pcs
- E  8*12 6pcs


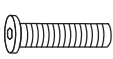


STEP 2



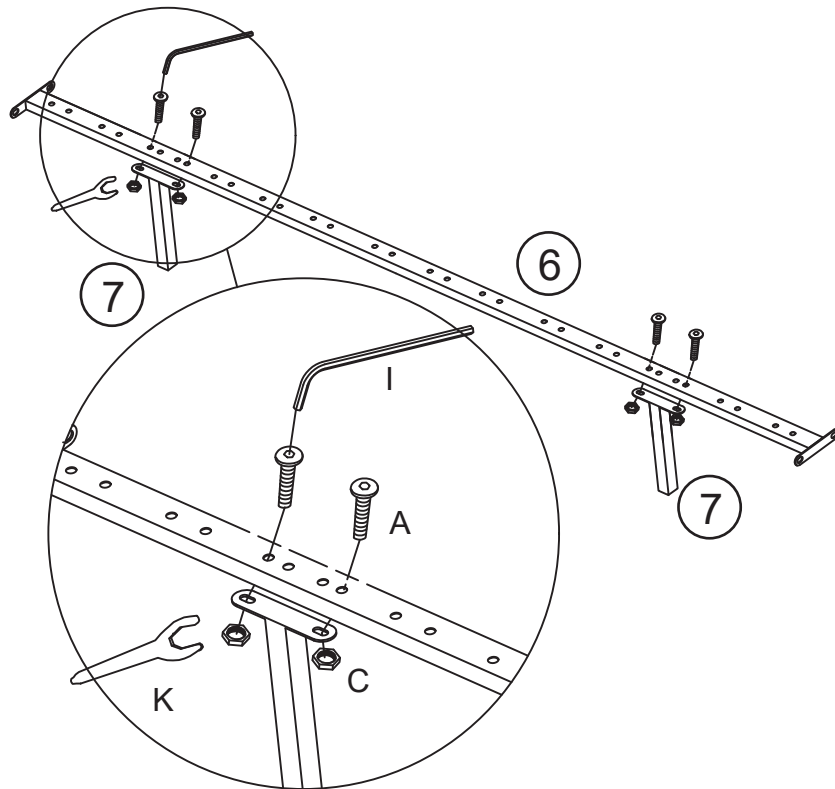
- J  Allen Key
- F  M6*20 16pcs

STEP 3



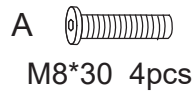
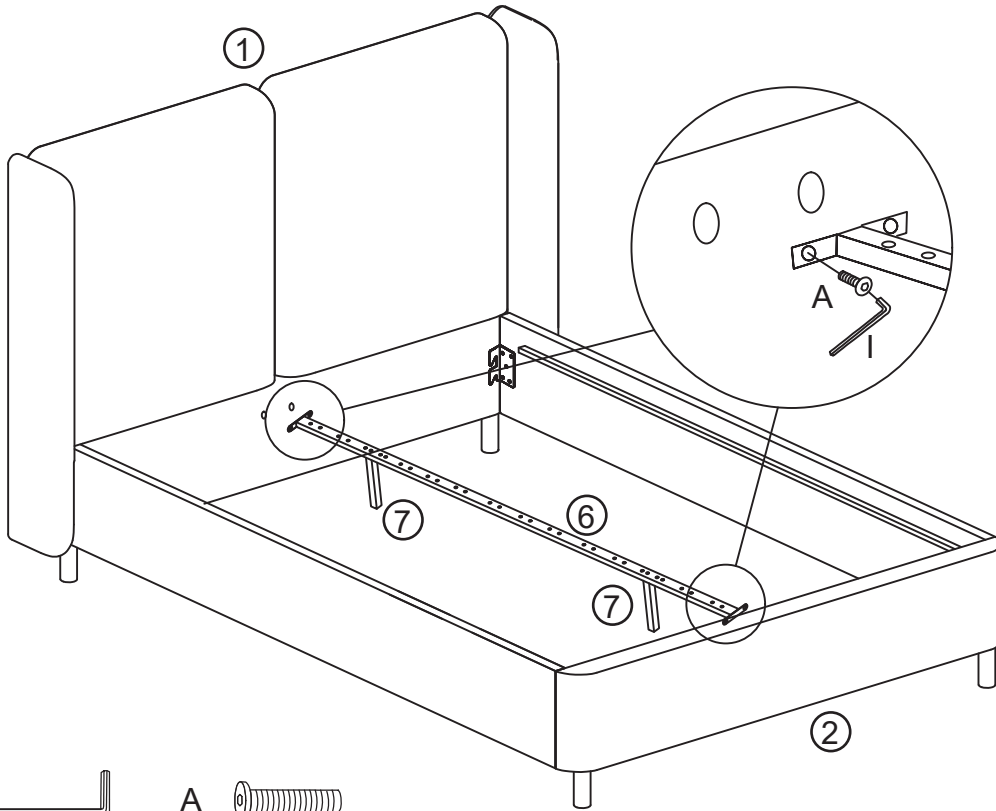
- I  Allen Key A  M8*30 8pcs D  8*22 8pcs E  8*12 8pcs

STEP 4

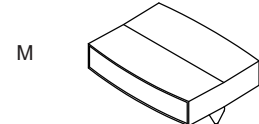
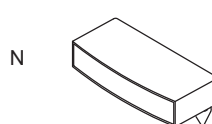
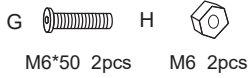
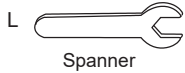
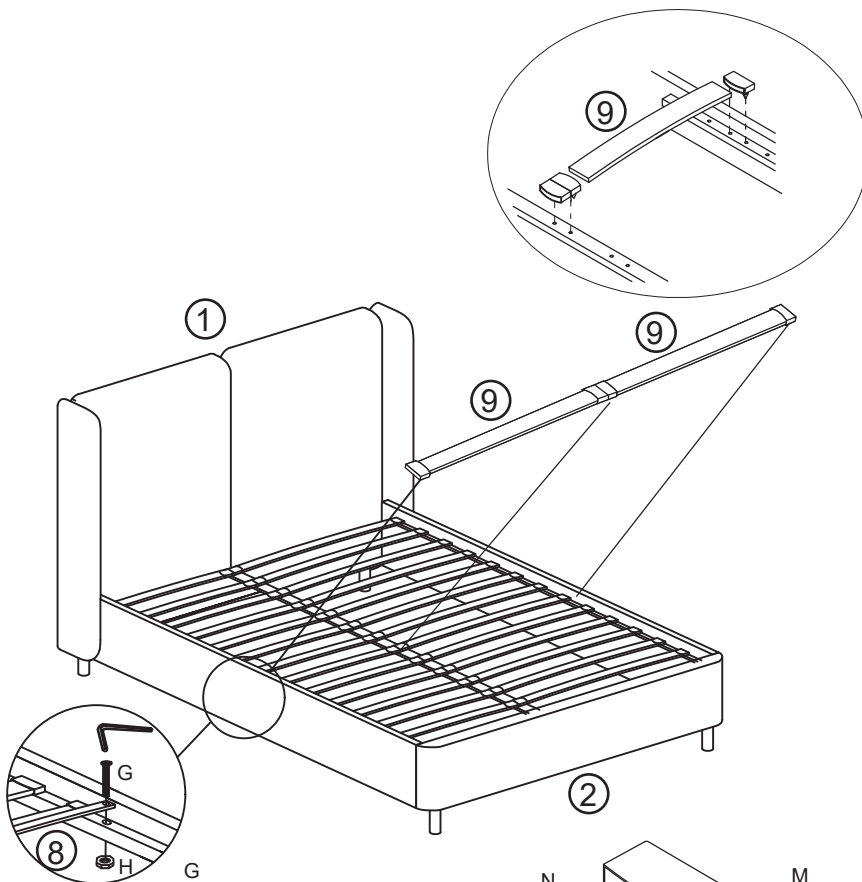


- I  Allen Key K  Spanner A  M8*30 4pcs C  M8 4pcs

STEP 5

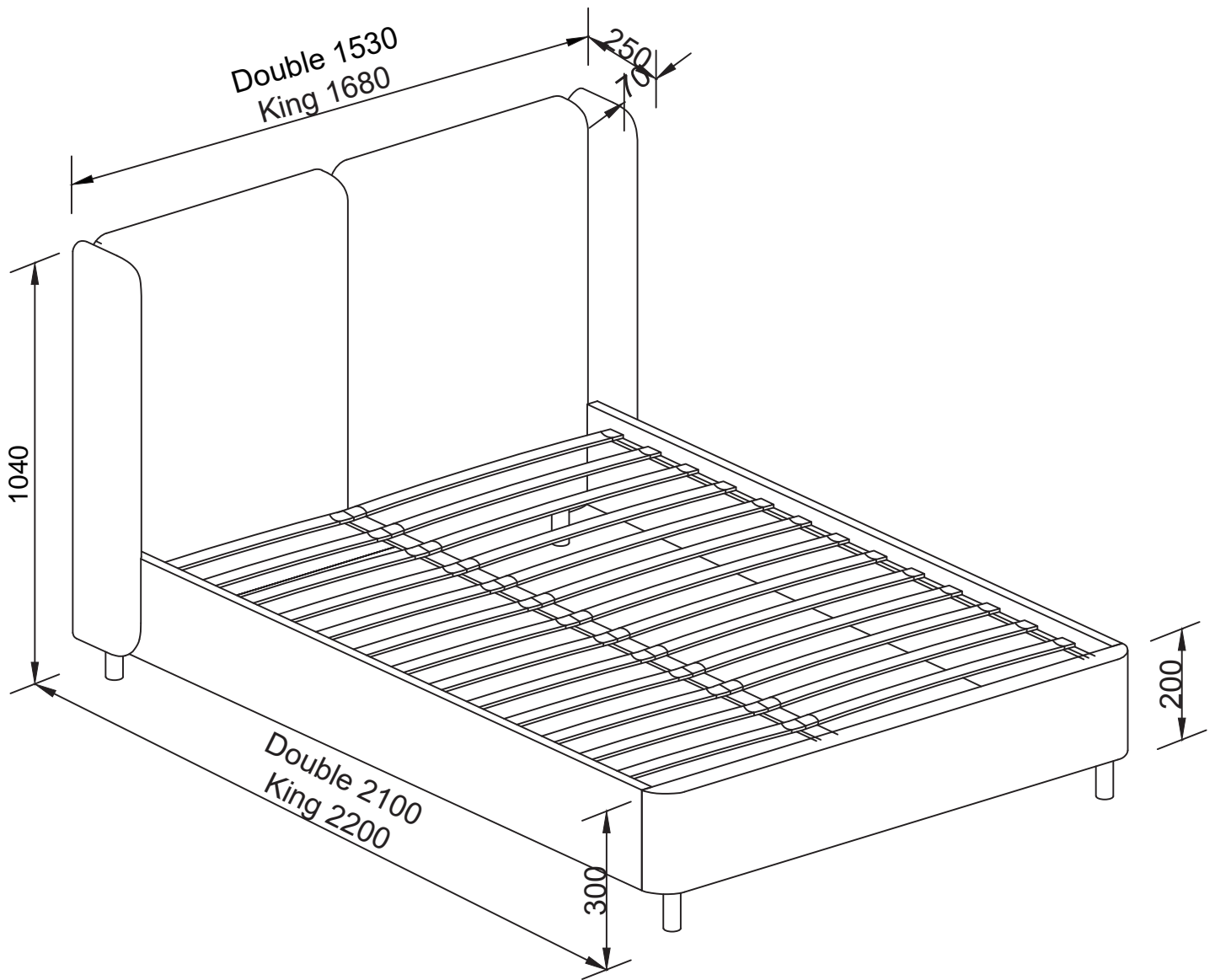


STEP 6



Double:Single plastic cap 30pcs Double:Double plastic cap 15pcs
King :Single plastic cap 32pcs King :Double plastic cap 16pcs

Product Dimensions



Overall Dimensions

Double bed: H104 xW153 x D210 cm

King bed: H104 xW168 x D220 cm

Care Advice

Regular care advice

Vacuum clean your upholstery at least once a week, dust removal may be improved by pre-brushing with a soft cloth

For velvet items use a soft brush lightly dress the fabric. Lightly wipe with a slightly dampened cloth to clean.

For velvet items avoid scratching the fabric as the pile may not recover and may permanently mark it

Do not use silicone based furniture polish. Polishes can break down or stain the fabric

General care advice

This product should only be used on level ground

Please periodically check all fittings and re-tighten as necessary

Do not jump or stand on your bed
Keep away from strong heat sources

Do not use this item if components are missing or broken

When placing furniture on a wooden or laminate floor, please ensure that plastic or felt protectors are securely fitted and in place

Keep upholstery out of direct sunlight and excessive heat to avoid discolouring and damage

Ensure middle support legs are set 5-10mm from the floor surface without the mattress in place.

When in use the legs will create the support required

Do not drag your assembled bed. Always remove the mattress and lift the bed with 2x people. After moving always check that the centre support legs are securely fixed and in a vertical position

For accidental spills or stains

Never allow any kind of liquid to remain on your furniture. Absorption can cause finishes to de-laminate or stain

Don't rub or scrub with a cloth as this could damage the fabric and remove the colour

Don't use washing up liquid, detergents or bleach to remove stains

Don't soak or allow fabric to become wet

Do blot or soak up spills immediately using a dry soft colourfast cloth

Do use specialist upholstery cleaner if needed, always follow the manufacturer's instructions and always test on a hidden area to check colour fastness. Allow the test patch to completely dry first. If the fabric colour is affected, do not use this cleaner on the rest of your product and consult a specialist

Finally, we hope you enjoy your furniture for many years to come and thanks again for your purchase.