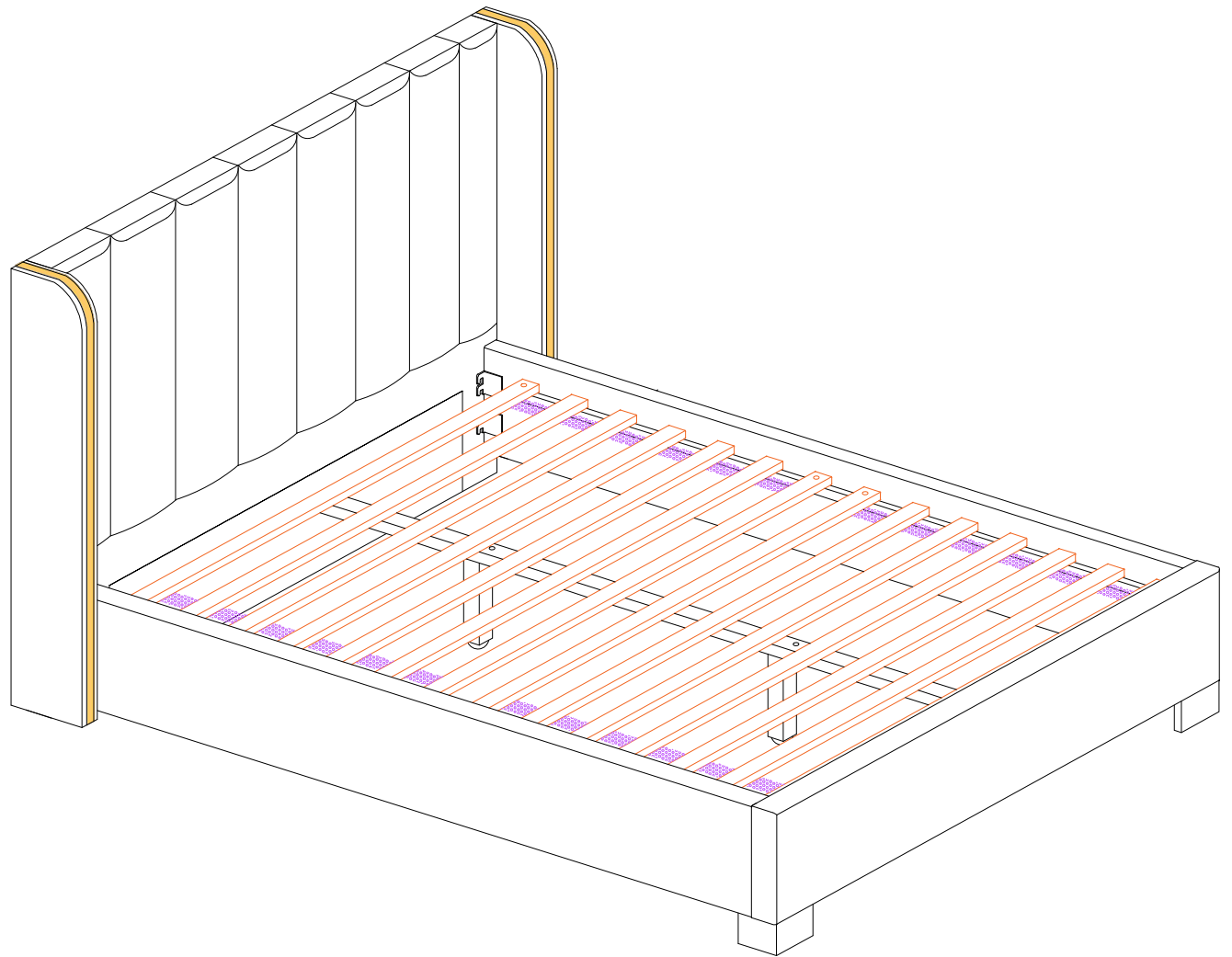
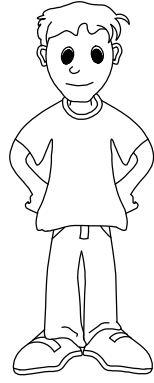


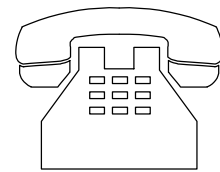
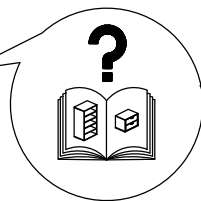
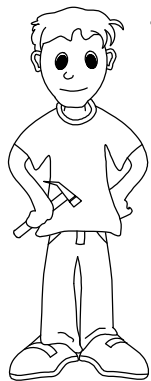
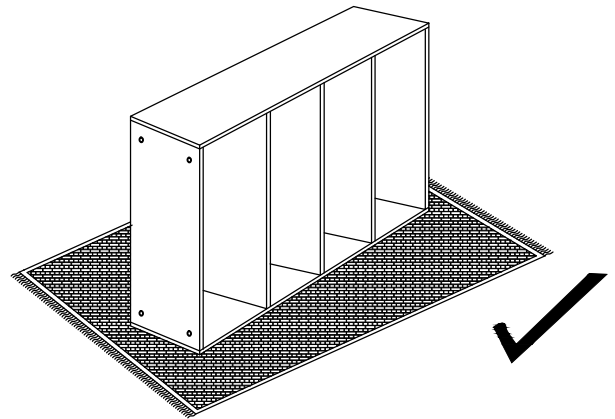
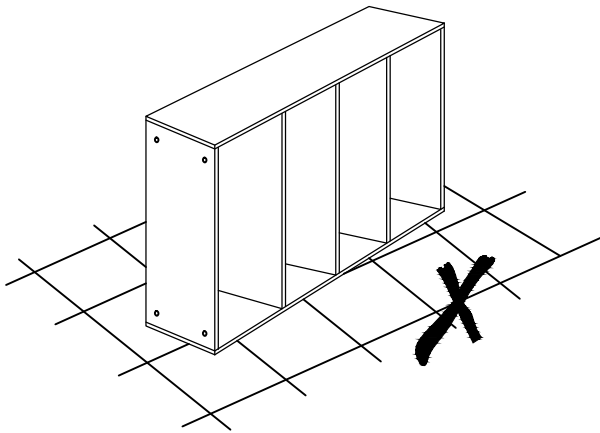
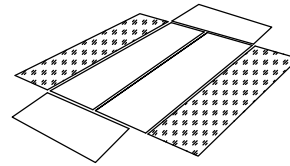
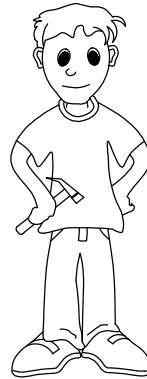
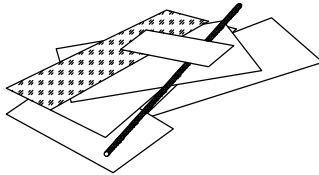
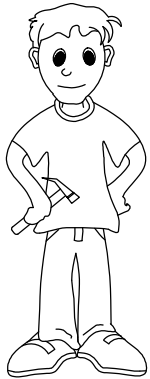
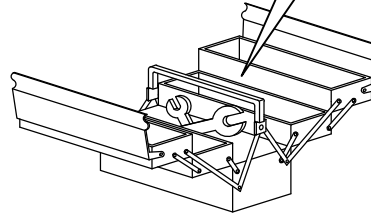
SAREER FURNITURE PHOENIX BED 4FT6 & 5FT

Assembly Instructions :-





No Extra
Tools Required



Sareer Furniture
(0800 14 13 786)

HARDWARE LIST :



CSK M4 x 32mm (10 PCS)



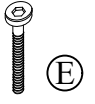
JCBB M8 x 20mm (12 PCS)



JCBC M6 x 40mm (6 PCS)



JCBC M6 x 45mm (8 PCS)



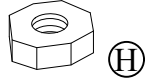
JCBC M6 x 30mm (4 PCS)



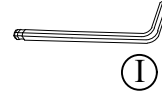
SPRING WASHER M6 (8 PCS)



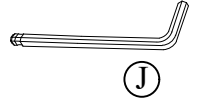
FLAT WASHER M6 (12 PCS)



HEX NUTS M6 (4 PCS)



ALLEN KEY M4 (1 PC)

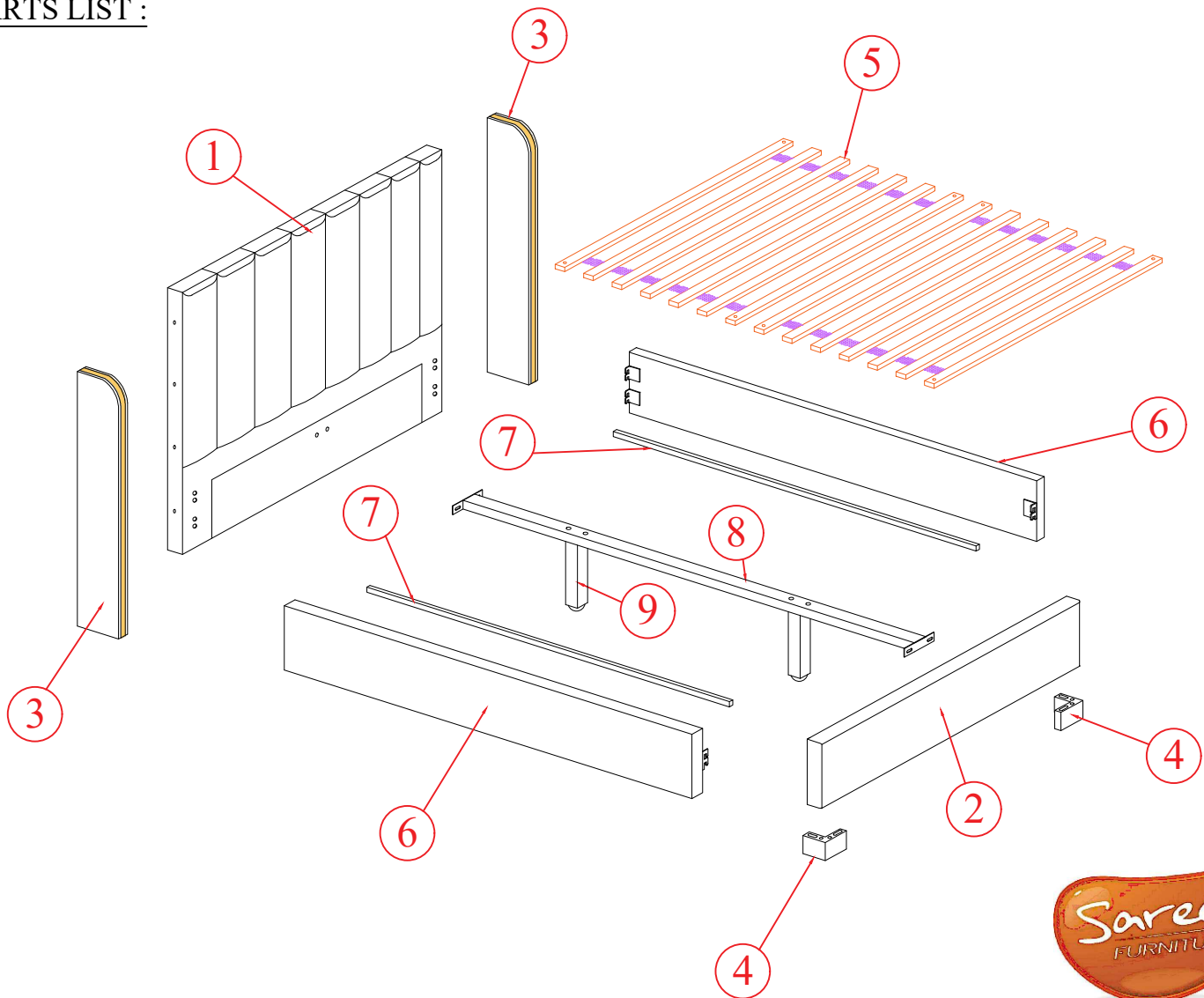


ALLEN KEY M5 (1 PC)



SPANNER M6 (1 PC)

PARTS LIST :

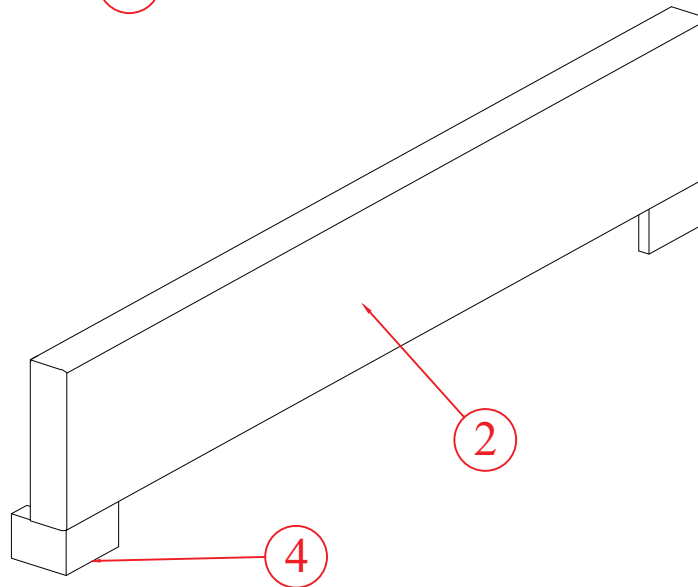
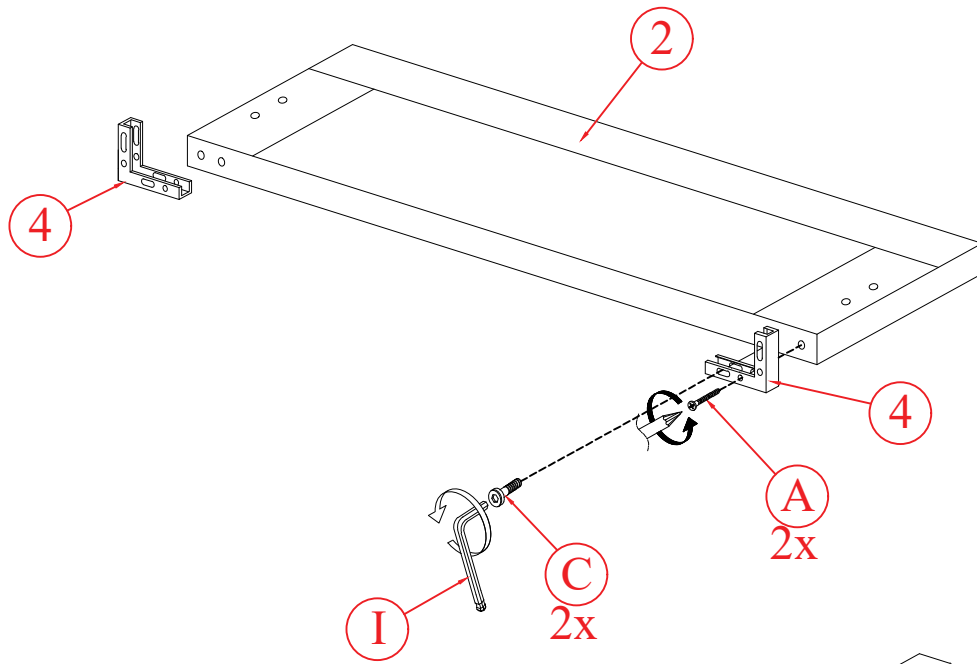
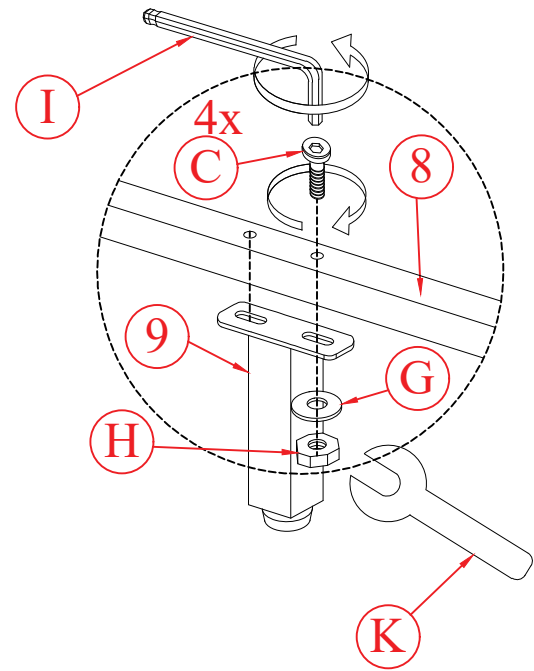
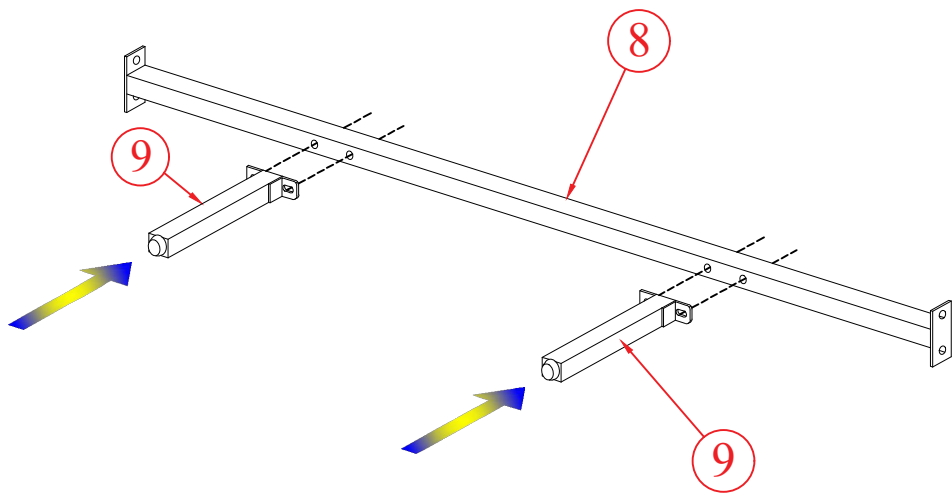


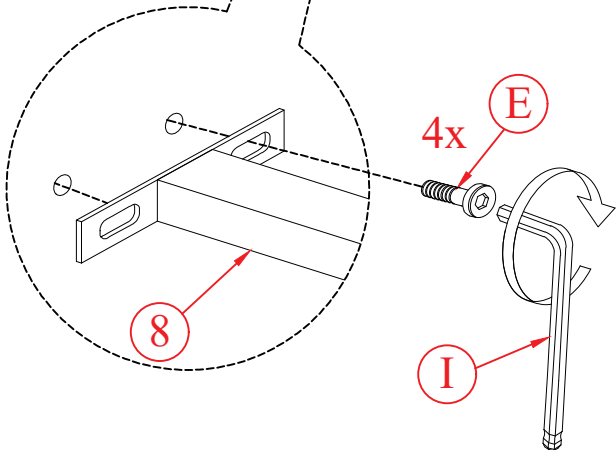
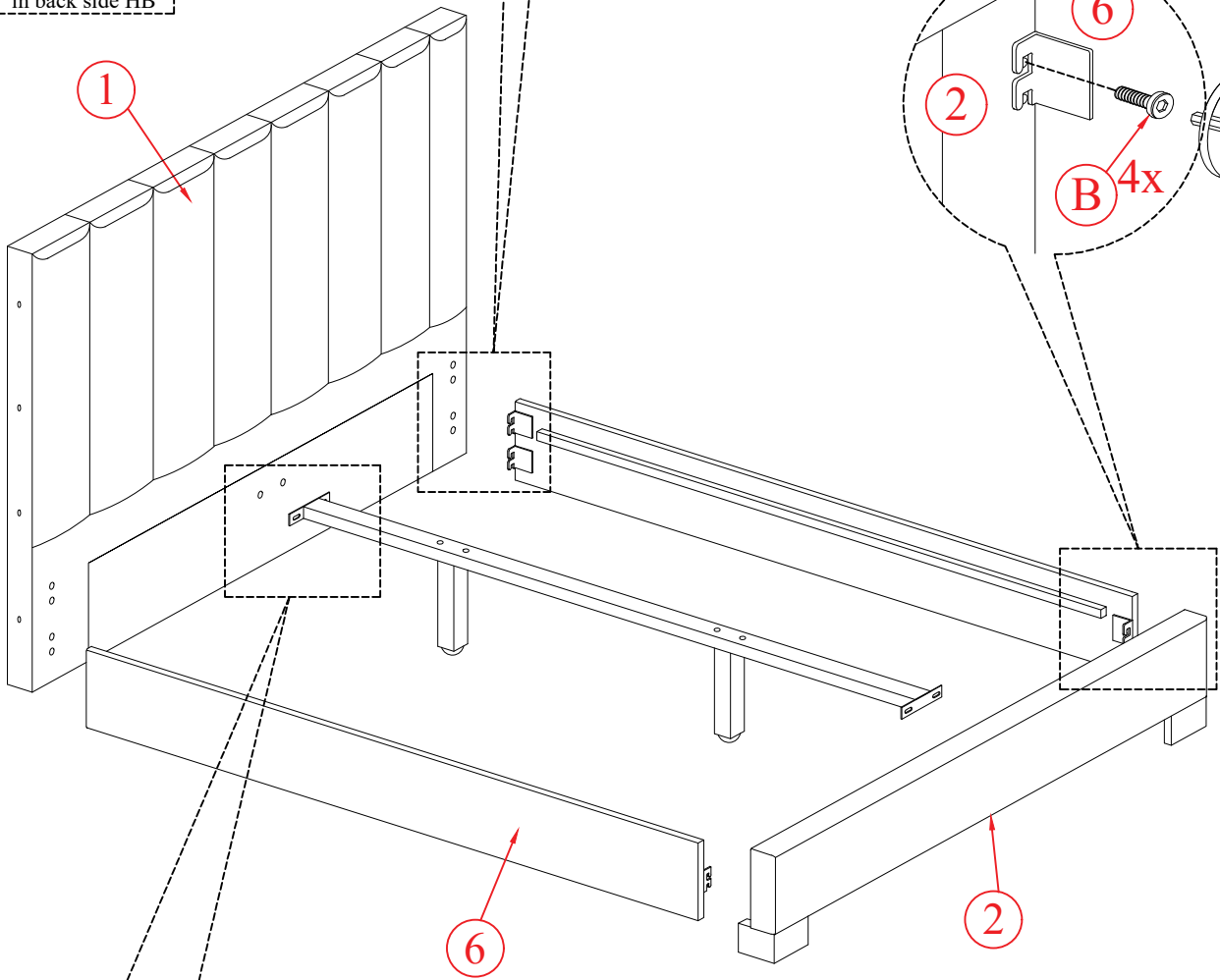
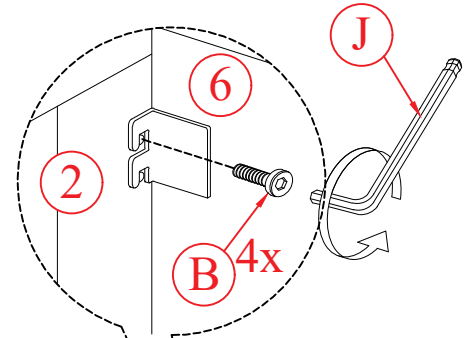
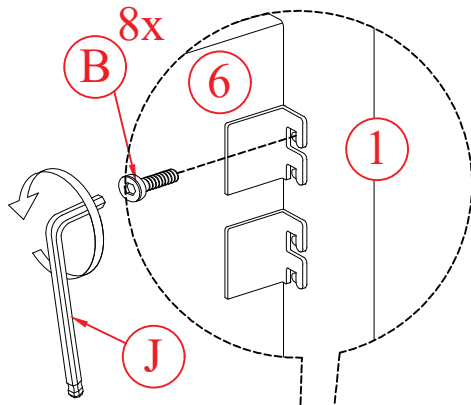
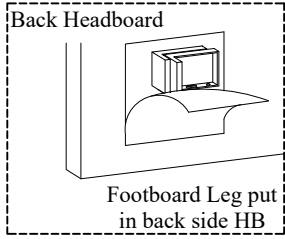
VERSION :

Safety Advice

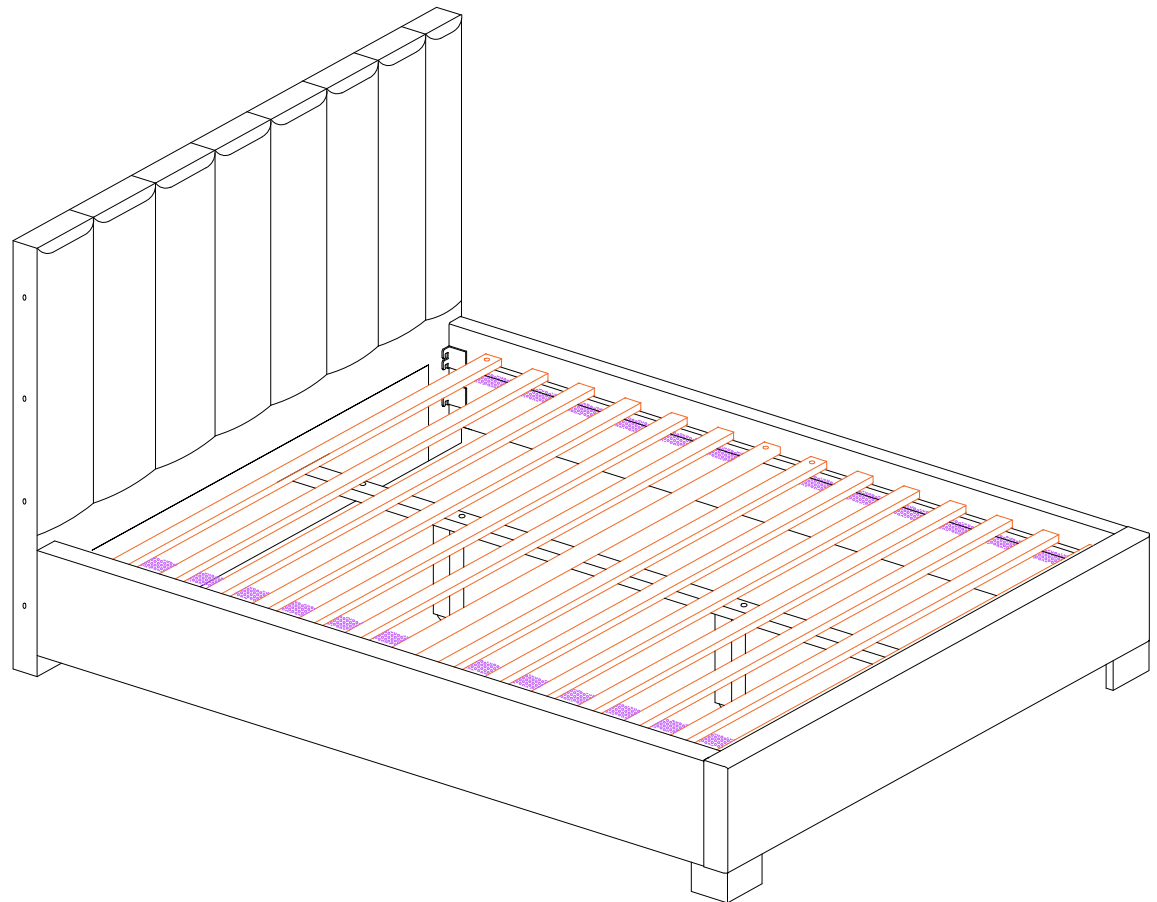
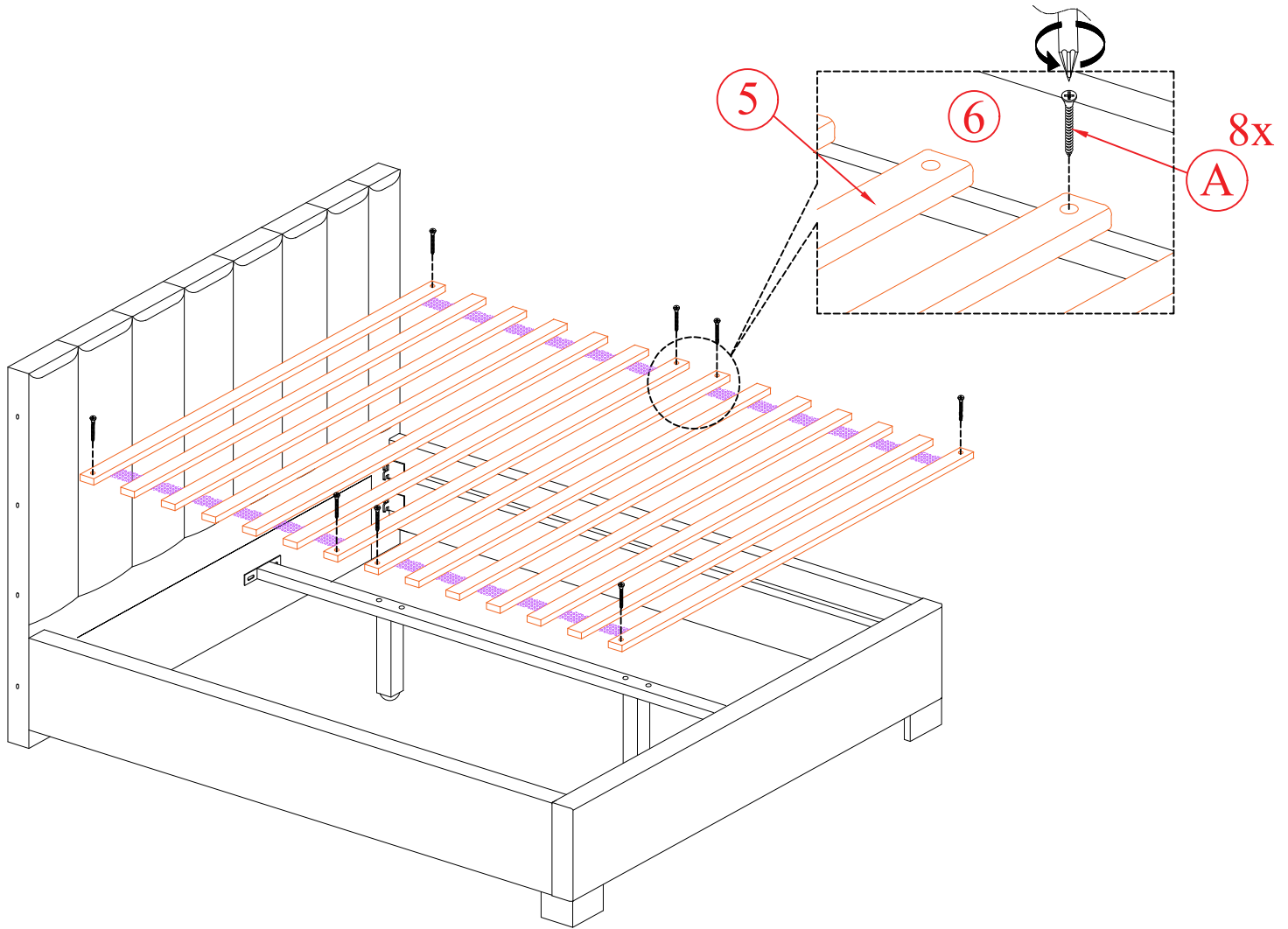
- Please take the time to carefully read through the whole of these instructions before you commence
- Keep these instructions for future reference
- Unpack, inspect & check off all of the contents.
- Please dispose of all packaging safely.
- Small component parts could choke a child if swallowed.
- We strongly recommend that you keep children well away from the work area.
- It would be sensible to lay a sheet or blanket on the floor where you intend to work to avoid scratching this product & to protect your floor.
- This product is heavy. Take extreme care when lifting to avoid personal injury or damage to the product.
- Assemble the product as close to its intended final position in the room as possible.

HANDY HINT : If you keep the hardware in a bowl during assembly you will be less likely to lose them.

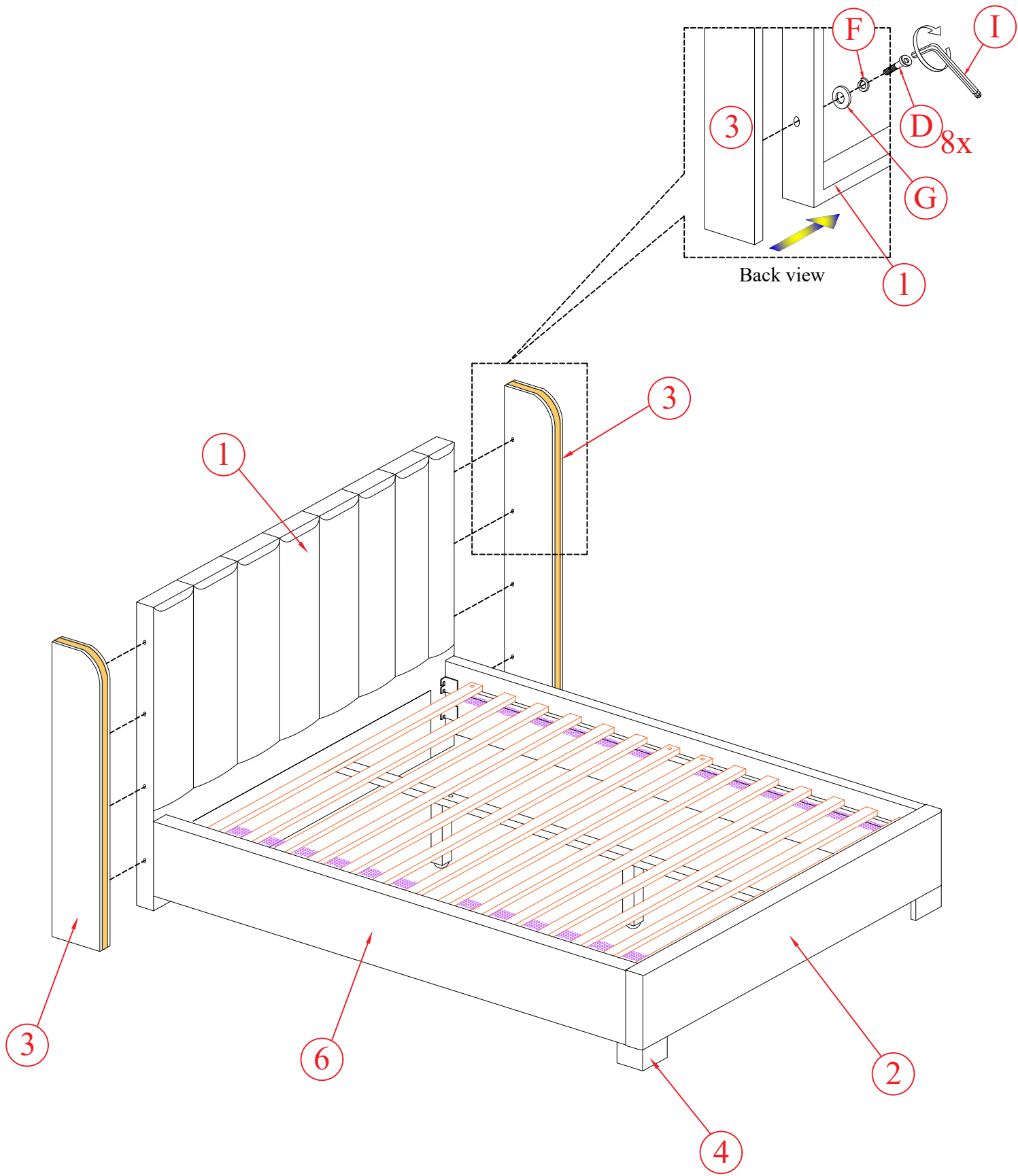




VERSION :



VERSION :



VERSION :

General Care

- Wipe clean with a slightly damp soft cloth. Avoid the use of all household cleaners & abrasives.
- When moving your furniture, carefully lift into place.
- Never drag or push the pieces across the floor as this will cause damage to the joints & could result in failure to the product that will invalidate the warranty.

Recommendations

- Periodical re-tightening of fixings.

Warning

- This unit is heavy . Please use an assistant when lifting.

Notes

- We`ve tried to make this piece of furniture as easy to assemble as possible.
- In the unlikely event that you have problems putting it together or have damaged or missing pieces,
Please contact our customer services on 0800 14 13 786

Sareer Furniture

Savile Business Centre Mill Street East Dewsbury, West Yorkshire, WF12 9AH.

E-mail : info@sareerfurniture.co.uk

www.sareerfurniture.co.uk