

Birlea®

Assembly Instructions

Thank you for
purchasing a
Birlea product.

For a chance to win a *Love 2 Shop* Voucher simply post a picture of your new product on your preferred social channels tagging **#ShareYourStyle** and **#Birlea**. One Winner will be selected at random each month.

To view our full terms and conditions please visit our website. www.birlea.com

Are you happy with your purchase?

Yes: That's great, we would love to hear more from you. Please leave us a review on our social media channels or Trustpilot. Your feedback will be greatly appreciated.

No: If for any reason there is something missing, indifferent or incorrect with your order, please contact the retailer you purchase the item from. We will work with the retailer to resolve your issue as quickly as possible.



www.birlea.com

ASSEMBLY INSTRUCTIONS CROXLEY 5' OTTOMAN BED

IMPORTANT: READ THESE INSTRUCTIONS CAREFULLY BEFORE ASSEMBLING OR USING YOUR CROXLEY 5' OTTOMAN BED.

PLEASE KEEP THESE INSTRUCTIONS FOR FUTURE REFERENCE.

HEALTH & SAFETY:

DO NOT jump on this bed frame.

DO NOT use this bed frame if any parts are missing, damaged or worn.

DO NOT use this bed frame unless all fixings are secured.

Please keep small parts out of reach of children.

Always use on a level, even surface.

WARNING: If this bed is placed on a non-carpeted floor you must place some protection under all legs to stop the bed frame from moving. If this is not adhered to there is no guarantee if the bed frame collapses.

WARNING: Take care when assembling the base, assemble the ottoman as close to its final position. The ottoman has a powerful mechanism and after assembly should only be opened when the bed mattress is in place.

CARE & MAINTENANCE:

Assemble in the room of use.

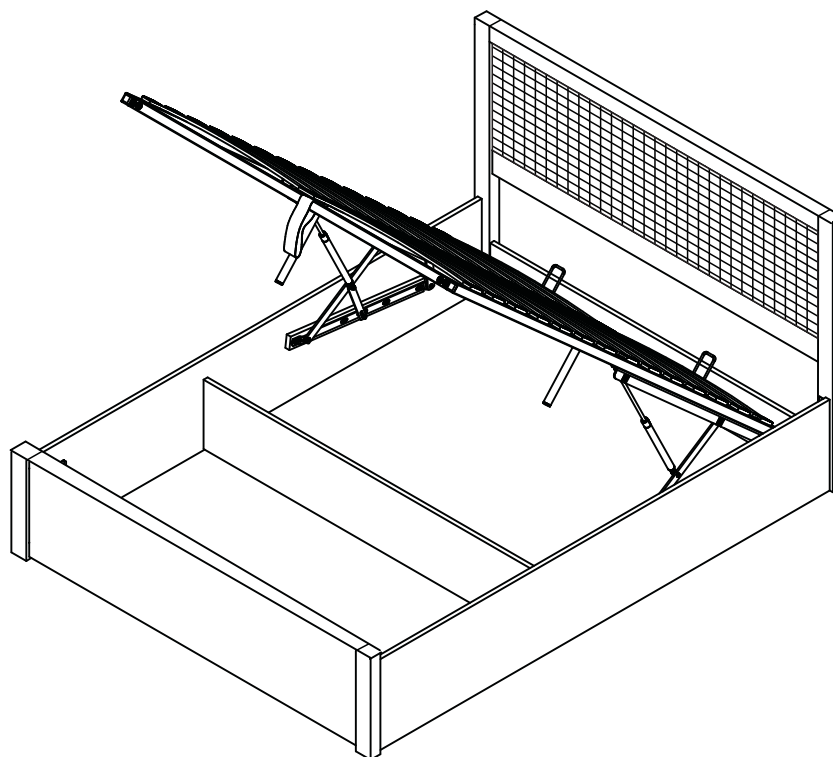
Periodically check all screws & fixings to ensure they are secure.

DO NOT push the bed frame as this will damage the legs.

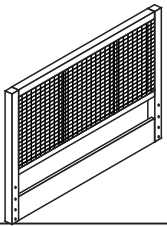
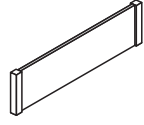
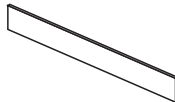
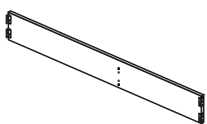
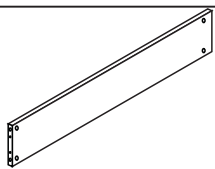








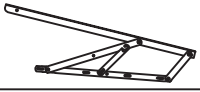
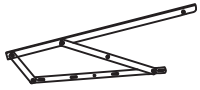

Always lift the bed with two people to reposition.



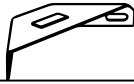









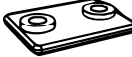








Keep any sharp objects away from the frame.

Assemble must be done by two persons.



Parts List

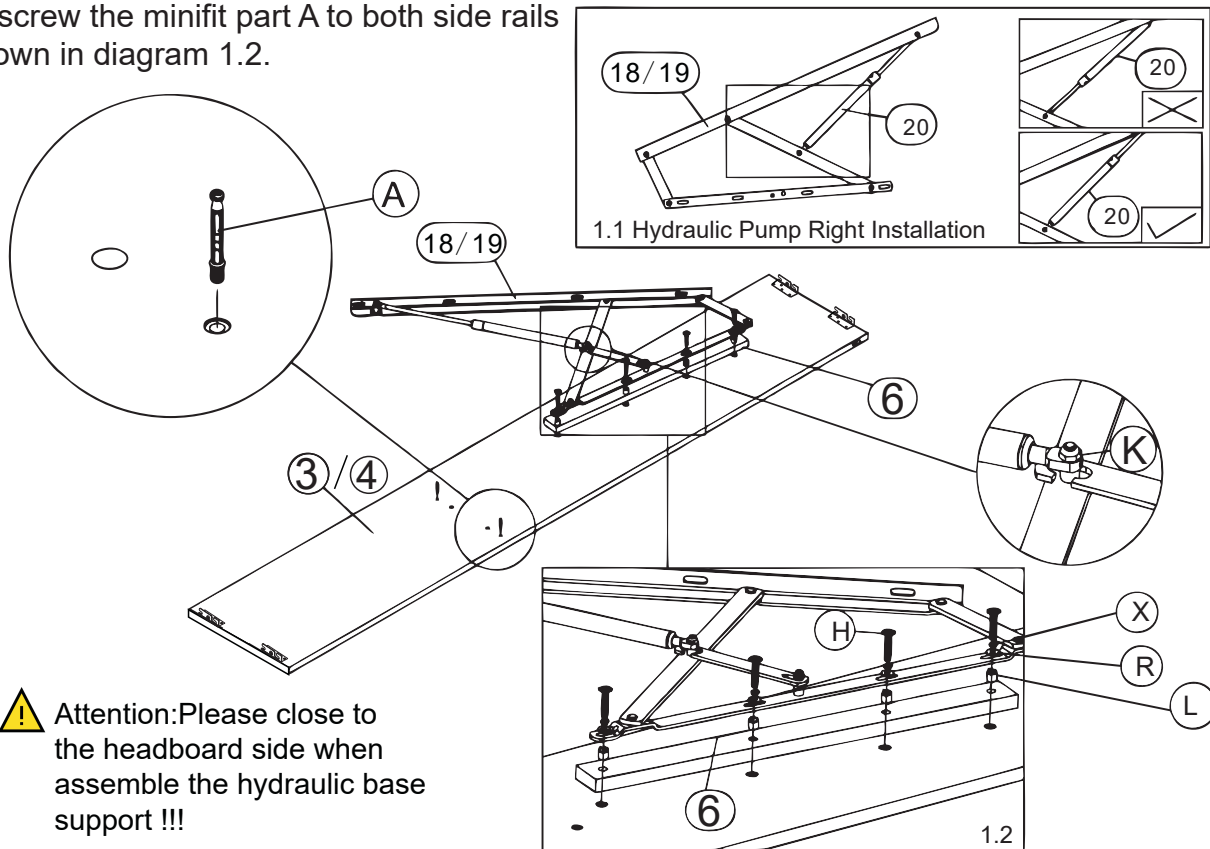
Parts	Description	Qty	Box
1	Headboard Frame 	1	1/3
2	Footboard Frame 	1	1/3
3	Left Side Rail 	1	2/3
4	Right Side Rail 	1	
5	Centre Storage Panel 	1	
6	Hydraulic Arm Spacer 	2	
11	Left Side Metal Bar 	1	3/3
12	Right Side Metal Bar 	1	
13	Headboard End Metal Bar 	1	
14	Footboard End Metal Bar 	1	
15	Center Metal Bar 	1	
16	Support Leg 	2	
17	Slat 	30	1/3
18	Left Hydraulic Base Support c/w Pump Stopper 	1	3/3
19	Right Hydraulic Base Support 	1	
20	Hydraulic Base Pump 	2	

Hardware List (Found in box 3)				
Parts	Description		Qty	Box
A	Mini Fix		4	3/3
B	8 x 30 mm Wooden Dowel		4	3/3
C	Metal Corner Block		4	3/3
F	M8 x 20 mm JCBC Bolt		16	3/3
G	M8 x 15 mm JCBC Bolt		16	3/3
H	M8 x 45 mm JCBC Bolt		14	3/3
J	Base Handle		2	3/3
K	M8 Nut		4	3/3
L	Plastic Washer		8	3/3
M	Single Slat Cap		30	3/3
N	Double Slat Cap		15	3/3
P	Belt Handle		1	3/3
Q	Washer Bracket		4	3/3
R	Flat Washer		30	3/3
S	M8 x 40 mm JCBC Bolt		8	3/3
T	M6 Allen Key		1	3/3
U	M8 Allen Key		1	3/3
V	M12.8 Spanner		1	3/3
W	Washer Bracket		6	3/3
X	Spring Washer		30	3/3
Y	Sticker		4	3/3

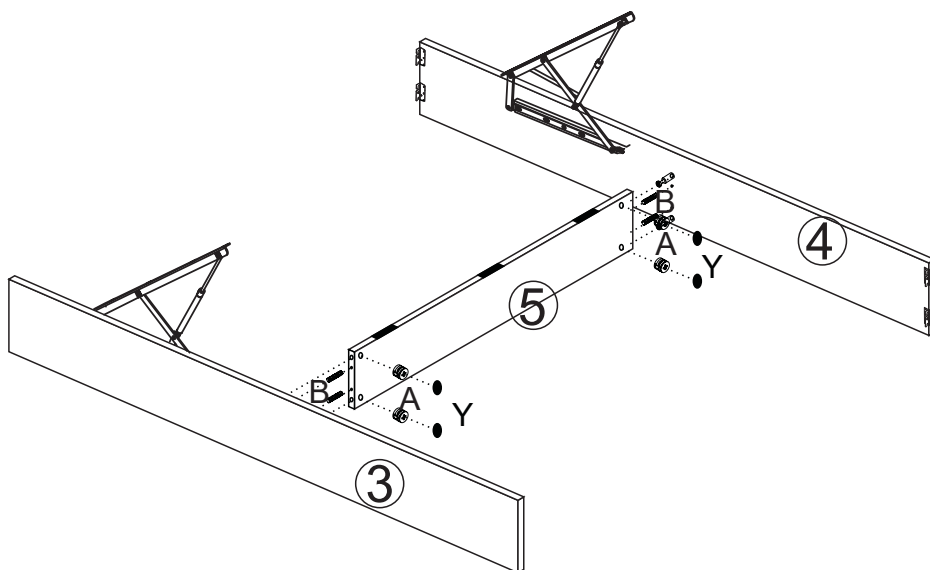
** You will also need a screwdriver and small mallet (not provided).

Step 1: Firstly, fix the hydraulic pump to each hydraulic base as shown in diagram 1.1. Next fix the left and right hydraulic spacer together with the hydraulic base supports on to both side rails using bolts H. **Ensure Plastic washers (part L) are used between the Hydraulic spacer (part 6) and the hydraulic base support (parts 18/19) as shown in the image.**

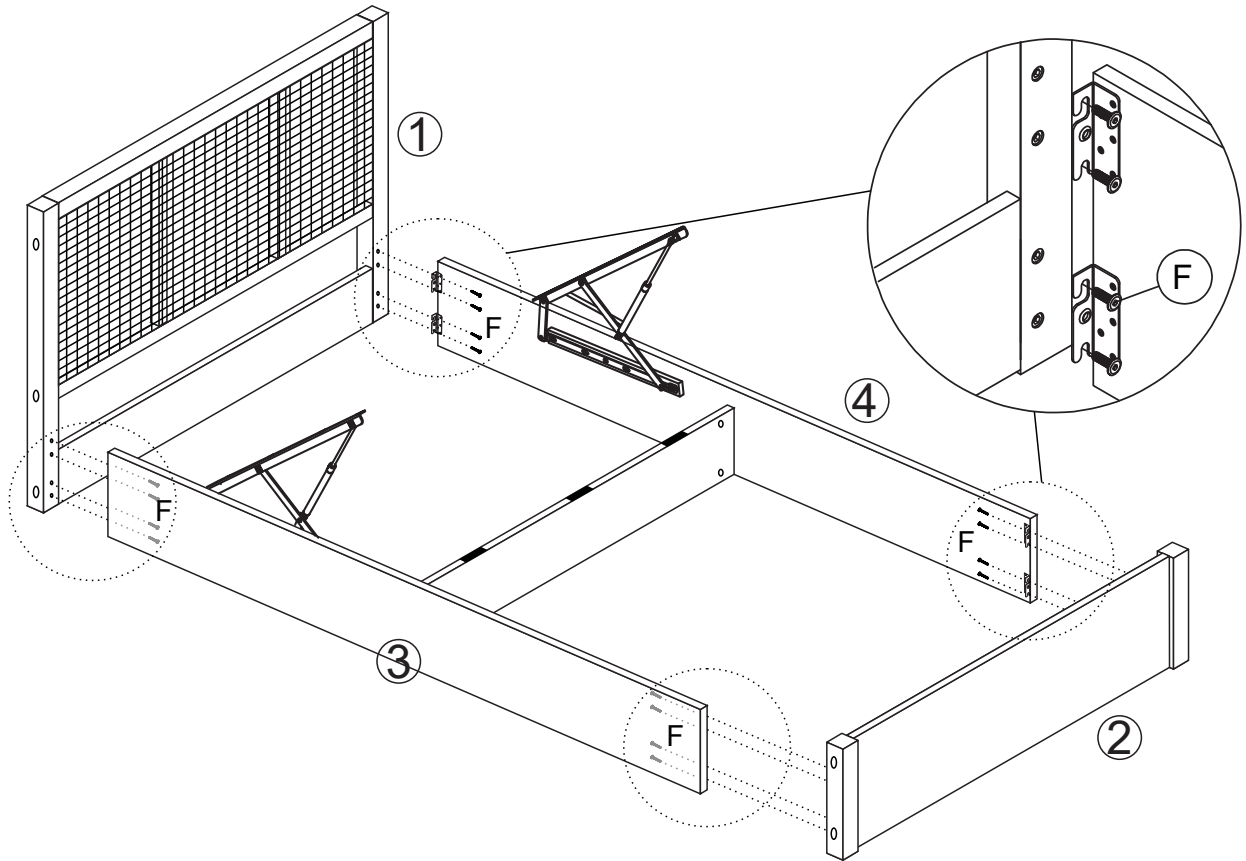
Then screw the minifit part A to both side rails as shown in diagram 1.2.



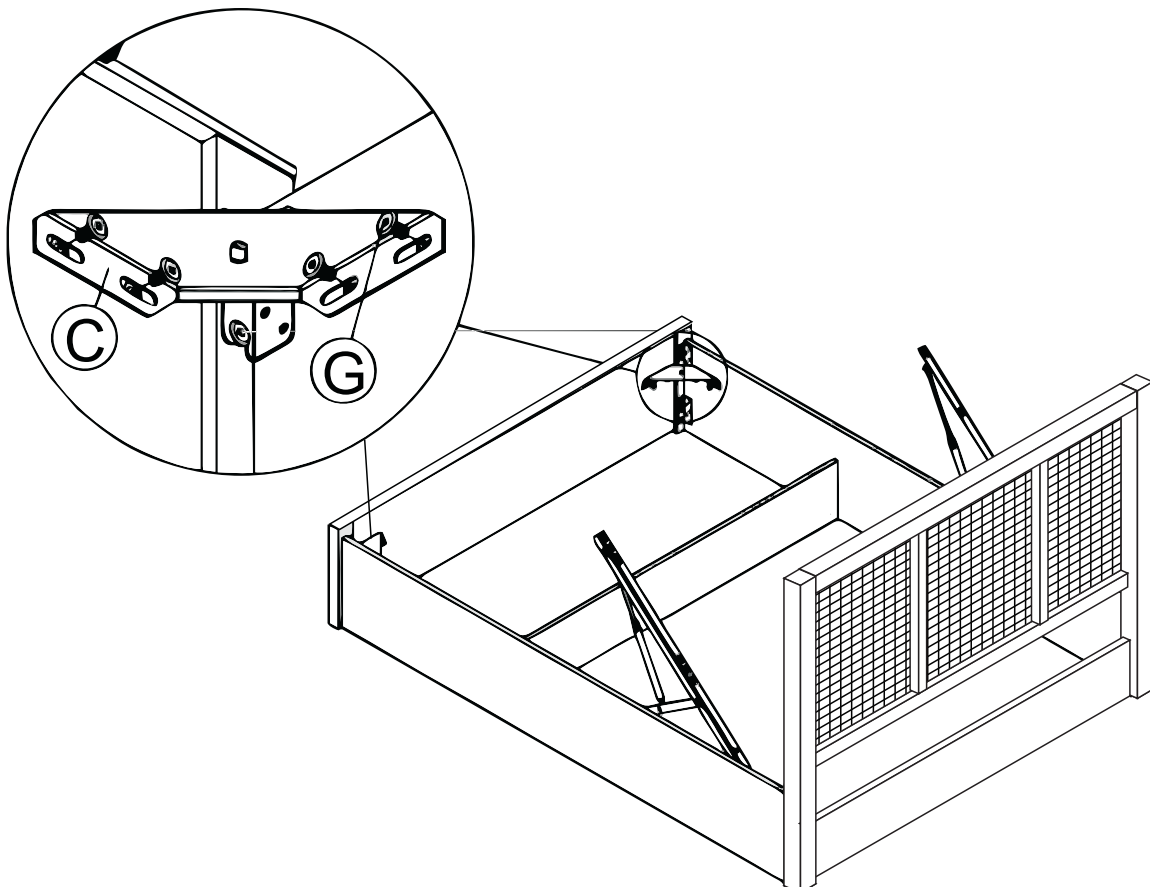
Step 2: Join together the left side rail (3) and right side rail (4) with the centre storage panel (5) using hardware parts A, B and Y.



Step 3: Fix the Headboard(1) and Footboard(2) with the bed frame by Hardware(F).

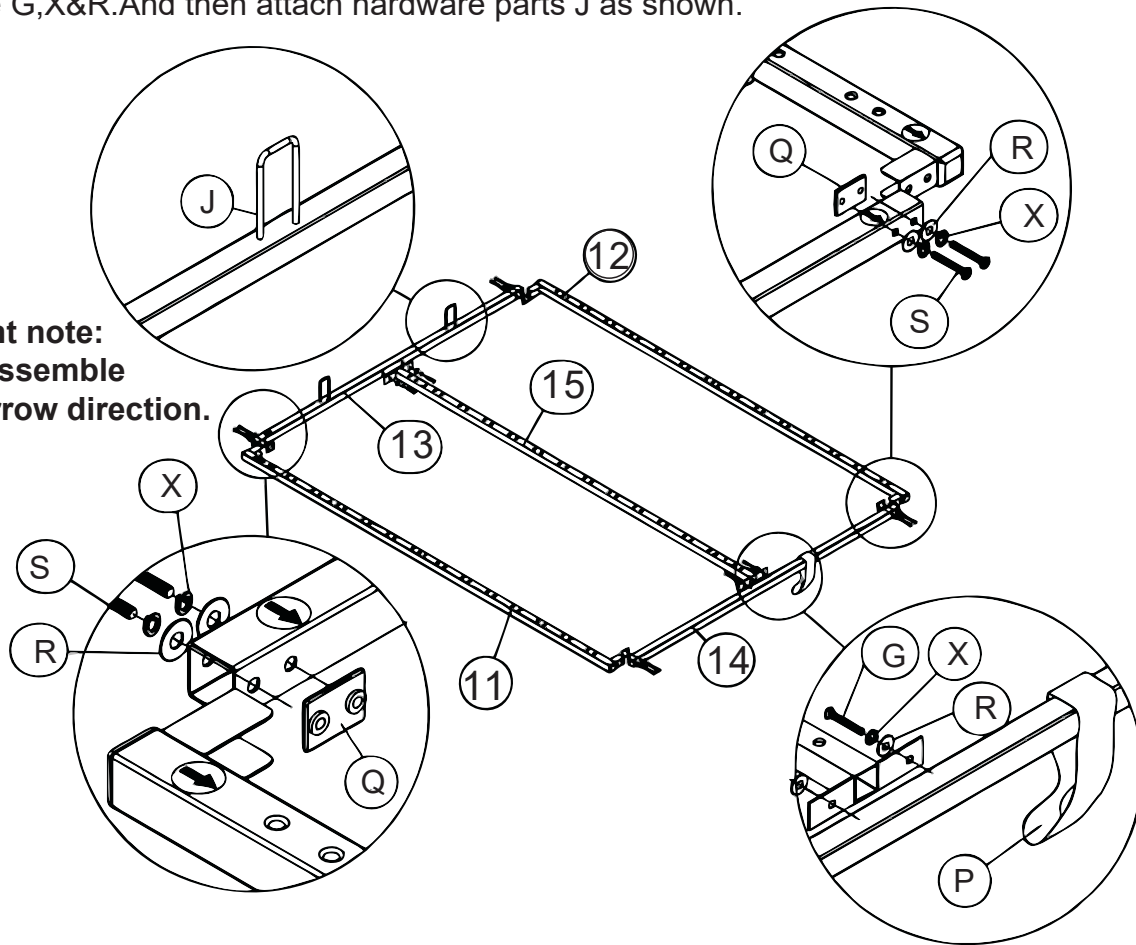


Step 4: Fix the Metal Corner Block(C) by Hardware(G).

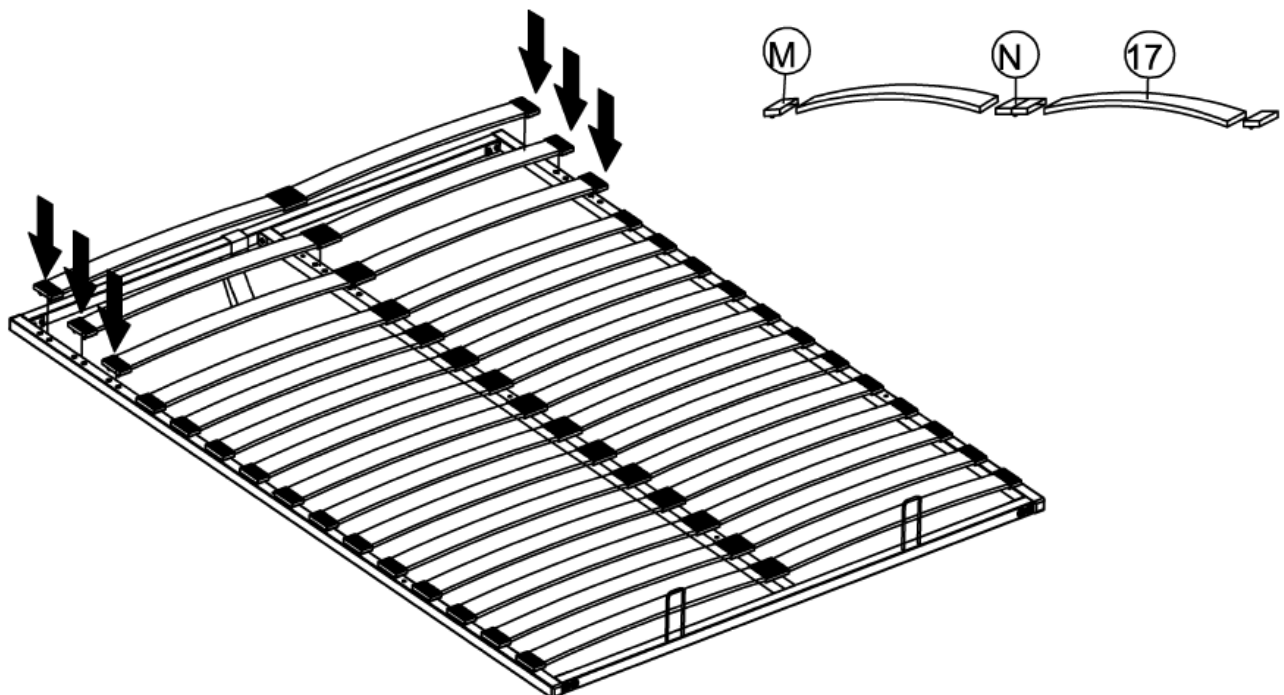


Step 5: Join together all the bed base parts (11),(12),(13) and (14) using hardware parts S,X & R and also slide part P onto Part 14 before bolting together. Attach the centre rail(15) with Metal Frame by hardware G,X&R.And then attach hardware parts J as shown.

Important note:
Please assemble
follow arrow direction.

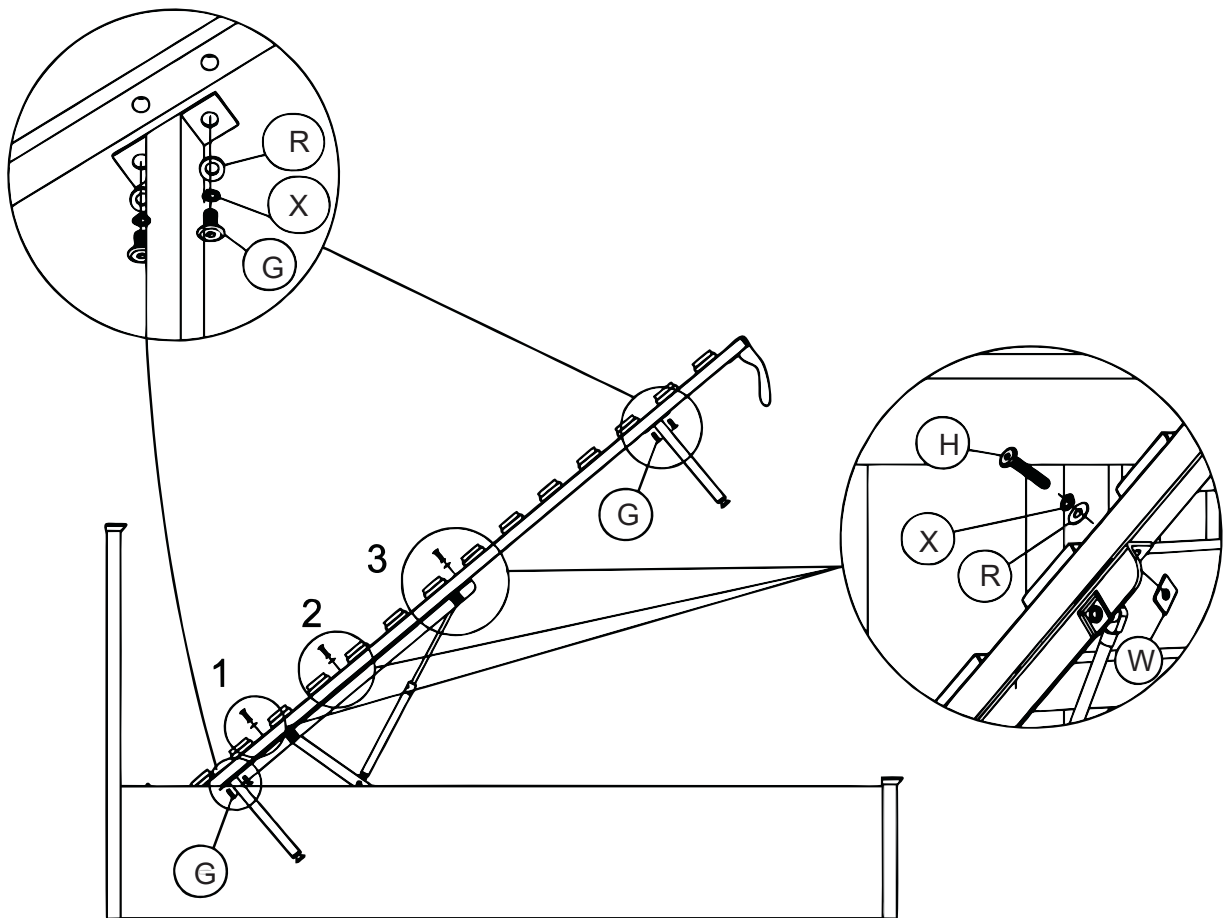


Step 6: Insert the slats (17) to hardware parts M and N then press into the base making sure they are secure.

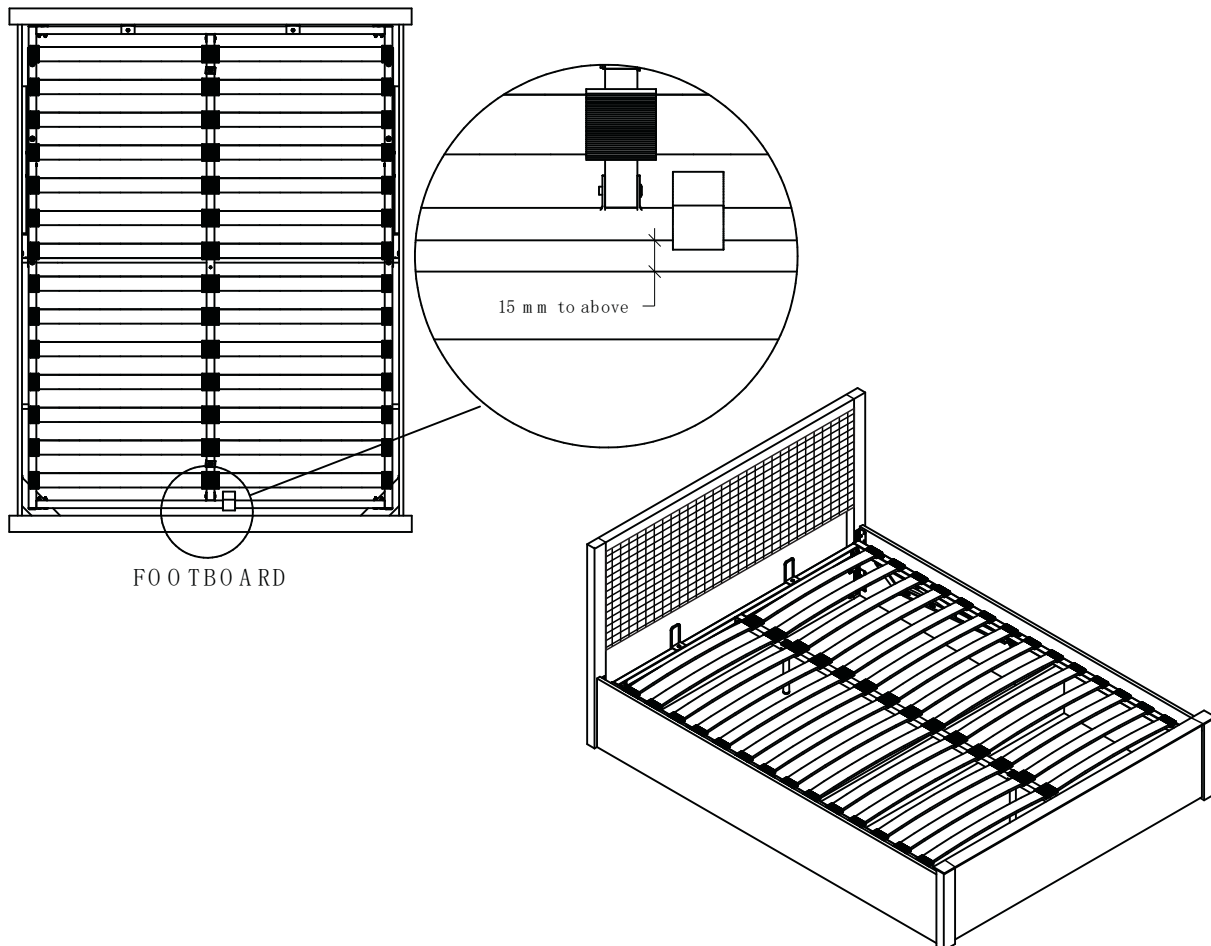


Step 7: Assemble the bed base on the right & left hydraulic frame starting from '1' to '3' as shown with Hardware H, X, R & W, and fix the support leg (16) to the bed base by Hardware G, X & R as shown .

Important note: Do not tighten the bolts yet!, and this assemble must be done by two persons.



Step 8: Adjust the bed base making sure that the distance to the footboard is approximately 15mm to above . Tighten all bolts and screws now.

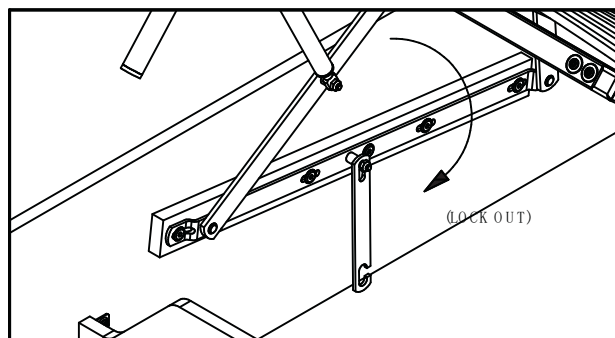
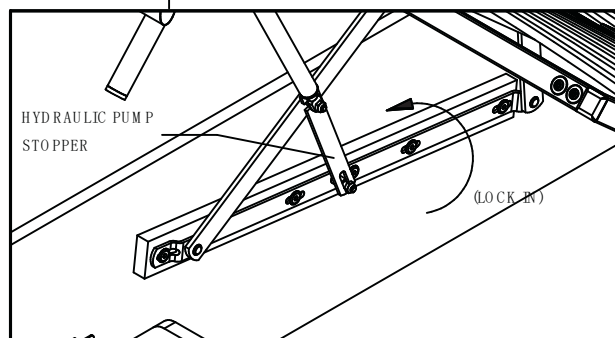
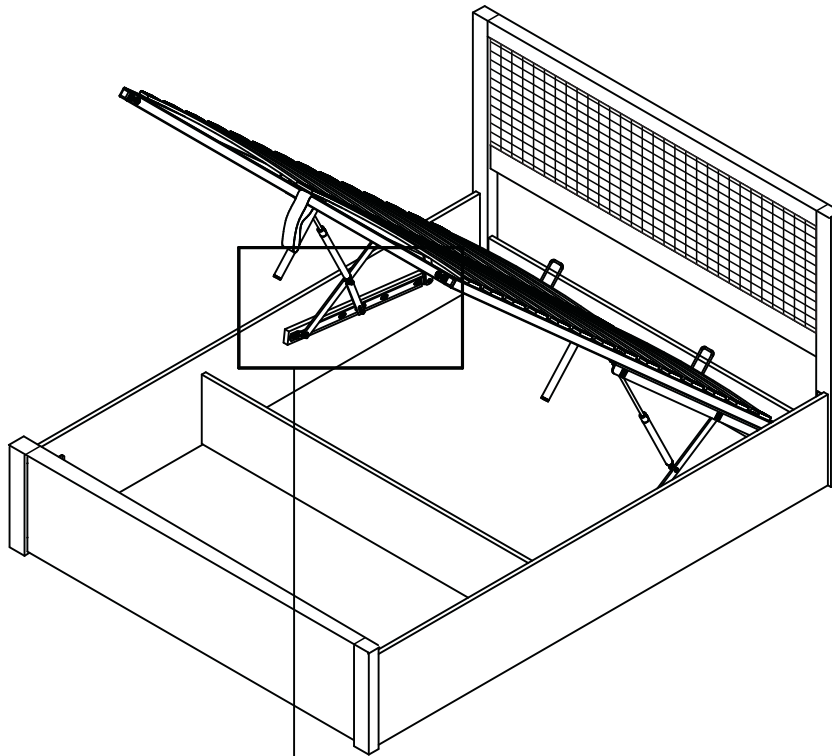


Additional Information:

- For complete product information, images and dimension diagrams please visit the website www.birlea.com
- If you have any issues with your item please contact the retailer directly you purchased it from who will be able to resolve any issues with Birlea.
- Why don't you send us photos of your assembled furniture to info@birlea.com to be shared in our #birleahome feature on Instagram.

CAUTION :

PLEASE USE HYDRAULIC PUMP STOPPER FOR SAFETY PURPOSE.



Important Ottoman Safety Warnings

- . Caution. This bed uses a pressurised mechanism.
- . Use caution when operating - Always use two hands at arm's length, and only where illustrated on the product.
- . You must ensure the mattress is on the bed frame before lifting the mechanism - Failure to do so may result in injury.
- . Please ensure Children and pets are kept away from the bed when operating the bed mechanism.
- . If removing the mattress, make sure that the frame is secured as it could flip open.
- . Only use the storage compartment when the frame is fully raised in the 'up' position.
- . No children or animals are left unattended when the frame is in the 'up' position.
- . Do not remain on the bed whilst the lifting mechanism is in use.
- . Beware of Entrapment - Keep both hands clear of mechanism when operating the mechanism.
- . When lifting the bed remove all bedding - Except the fitted sheet.

