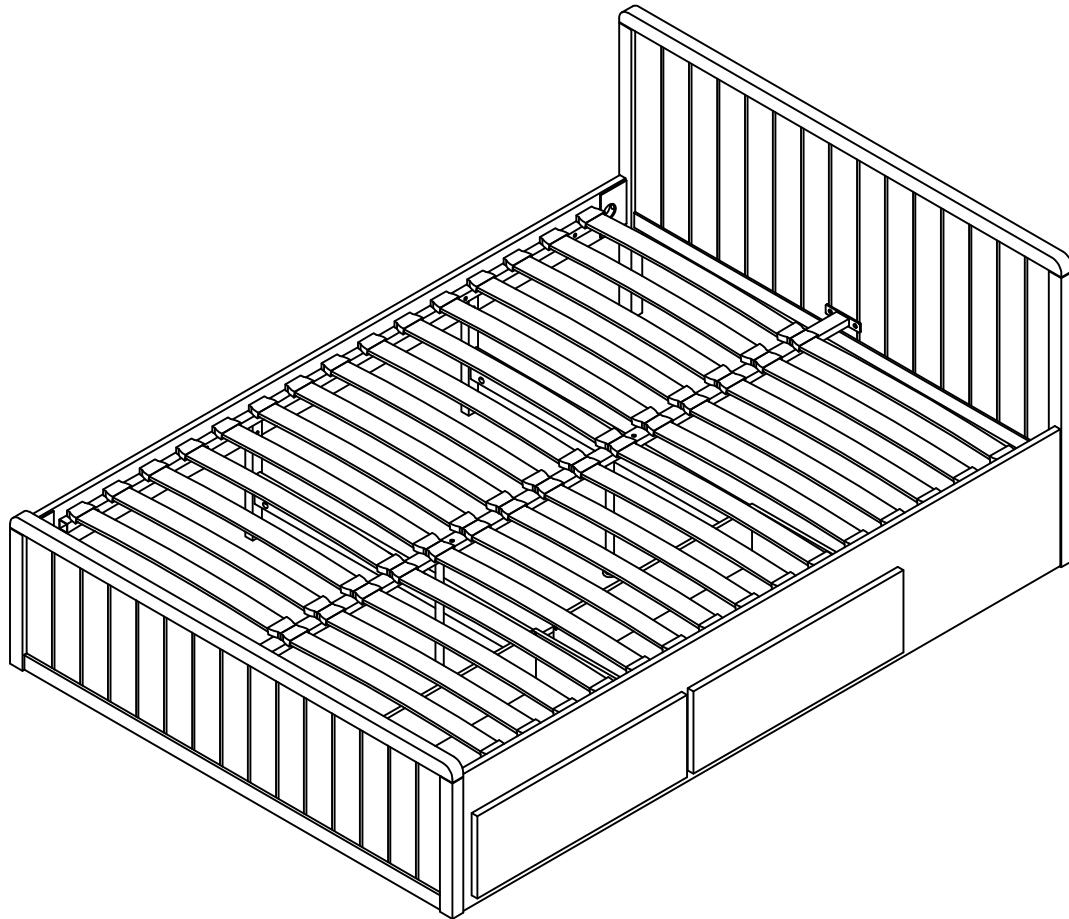


# Adrian Storage Drawer Double Bed

## Instructions



**Dunelm**

[www.dunelm.com](http://www.dunelm.com)

---

# Thank You

---

## Dear Customer

Thank you for purchasing your new piece of furniture from Dunelm. We put a lot of effort in the design and construction of our products to ensure they set the standard for quality, durability and ease of assembly. If for any reason you feel we haven't lived up to the high standards we set ourselves, please don't hesitate in contacting us on 03451 656565 where our team will be very keen to understand what has gone wrong and, more importantly, put it right.

## The next step...

There is no need to feel daunted by the number of parts and fittings in front of you, we have compiled this straight forward, step-by-step guide to make sure that assembling your furniture is as easy as 1, 2, 3.

## Top tip

Find a space to spread everything out across the floor before you begin assembling the item. Lay each panel down on a clean and level area, ideally in the room of intended use, ensuring there is enough room to manoeuvre around the item. It is recommended that two people assemble this product together. The full list of furniture parts, fixtures and fittings, as well as the tools you will need for assembly can be found on in this manual.

## Top tip

Identify all the fittings, make sure that you have them all prepared and familiarise yourself with each component to make things easier when you are putting it all together.

## Safety and care advice

**IMPORTANT**-The first step you need to take is to ensure your safety! Please take the time to read and understand these instructions before assembling your furniture.

Please keep these instructions for future reference.

Keep children and animals away from the assembly area. This furniture contains small parts that could cause choking if swallowed.

Keep all plastic wrapping materials away from babies and children to avoid danger of suffocation.

Ensure that all packaging is disposed of carefully and responsibly.

From time to time check that there are no loose fittings on the unit, re-tighten when necessary.

Two people may be required for the assembly of this product.

Once items are part or fully assembled they are not returnable unless faulty.

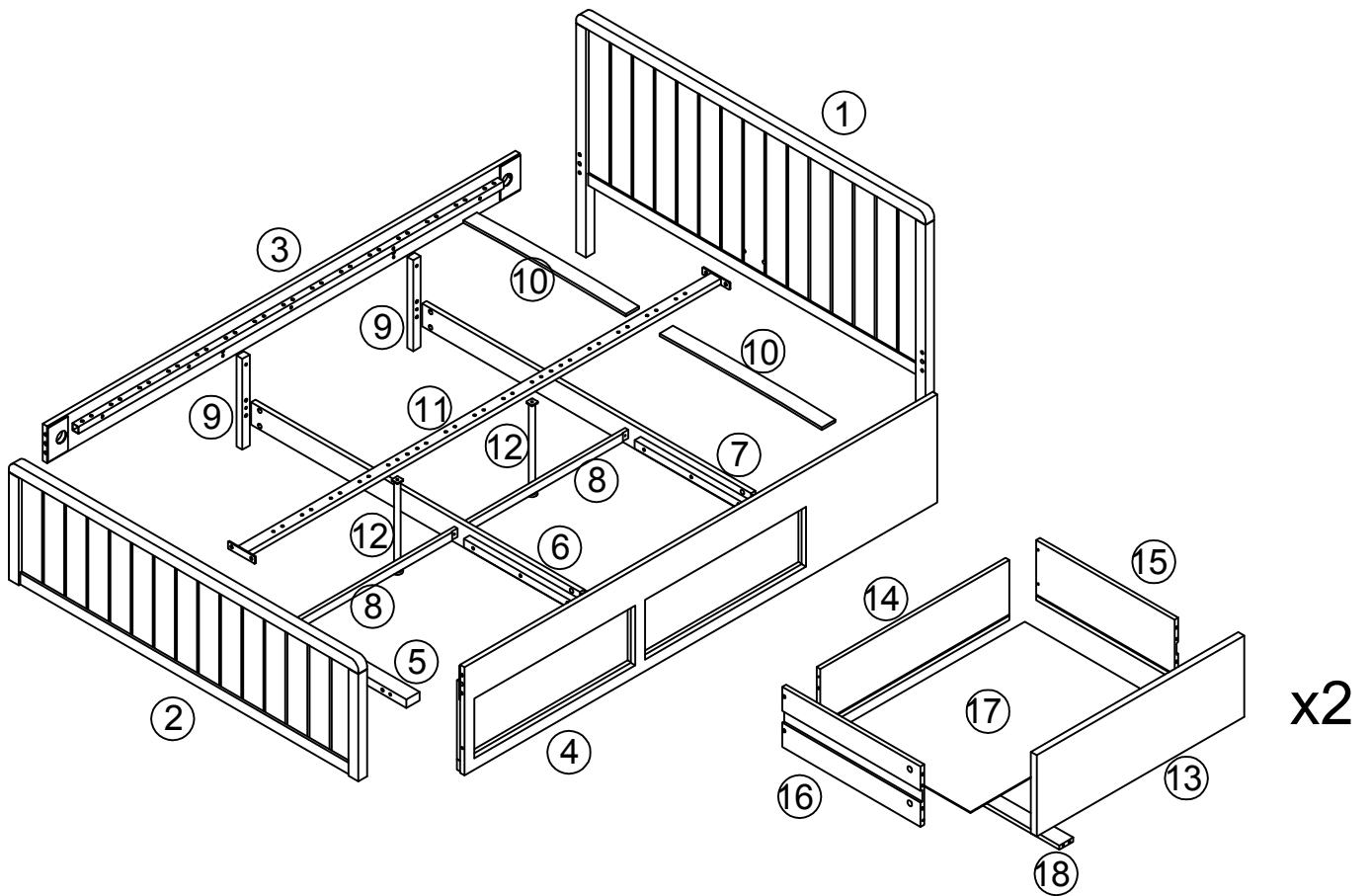
This item is not for outdoor use - unless stated otherwise.

Some items will be supplied with a wall fixing strap which we recommend is used to secure the item.

Furniture can be dangerous if incorrectly assembled.

Assembly should be carried out by a competent person. No liability will be accepted for damage or injury caused by incorrectly assembled furniture.

# Component Parts Supplied



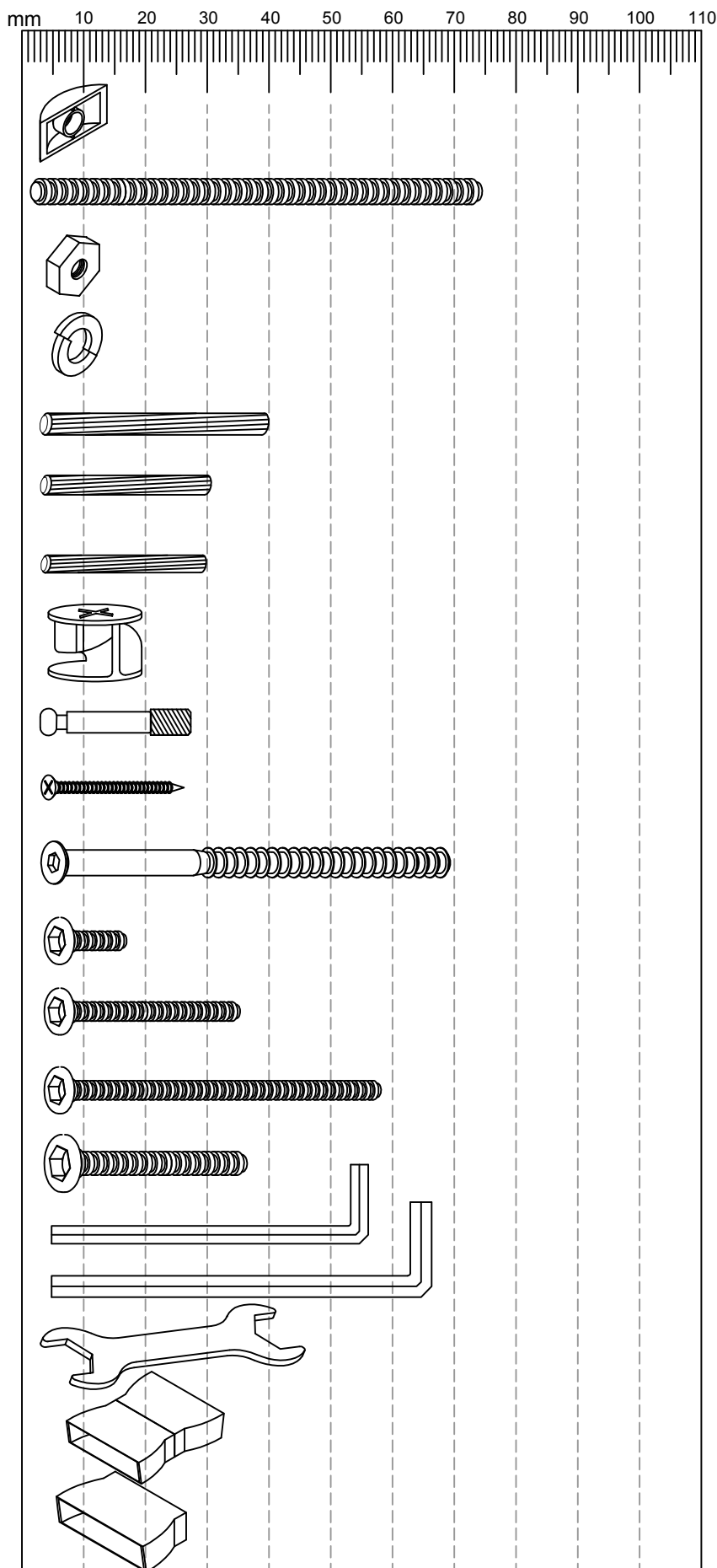
REF	Description	Dimensions	QTY
1	Headboard	1422×850×35	1
2	Footboard	1422×422×35	1
3	Siderail	1923×130×22	1
4	Siderail	1923×381×37	1
5	rail	449×54×30	1
6	Centre support bar	1337×80×66	1
7	Centre support bar	1337×80×42	1
8	Cross bar	677×30×15	2
9	Side Leg	318.5×30×25	2

REF	Description	Dimensions	QTY
10	Slat	683×57×9	30
11	Center rail	1935×110×25	1
12	Support Leg	326×25×25	2
13	Drawer front	675×229×18	2
14	Drawer back	615×170×12	2
15	Drawer side	450×170×12	2
16	Drawer side	450×170×12	2
17	Drawer bottom	625×448×3	2
18	Drawer bottom rail	438×45×12	2

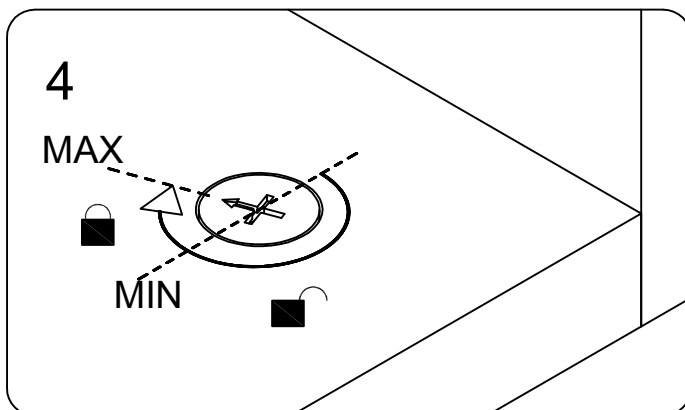
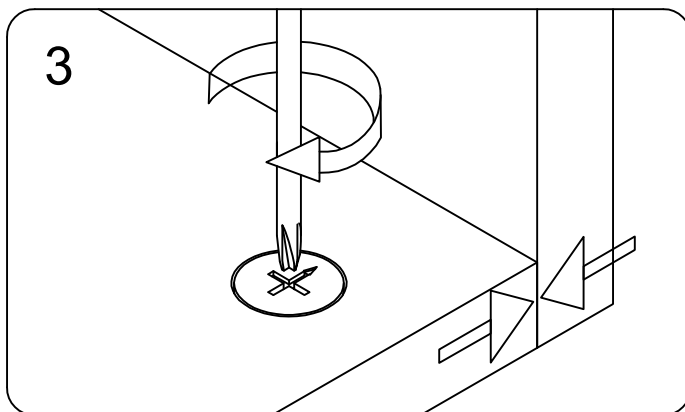
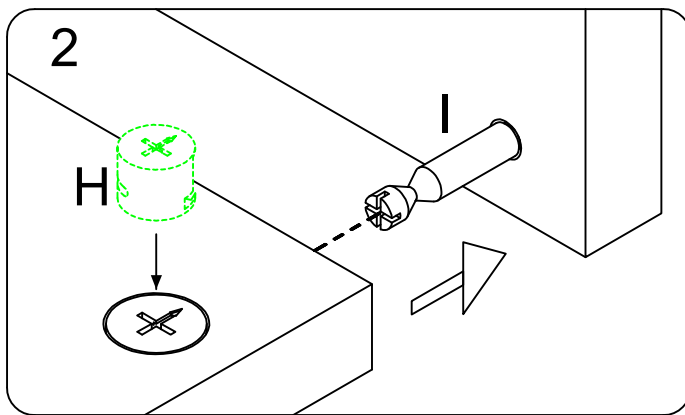
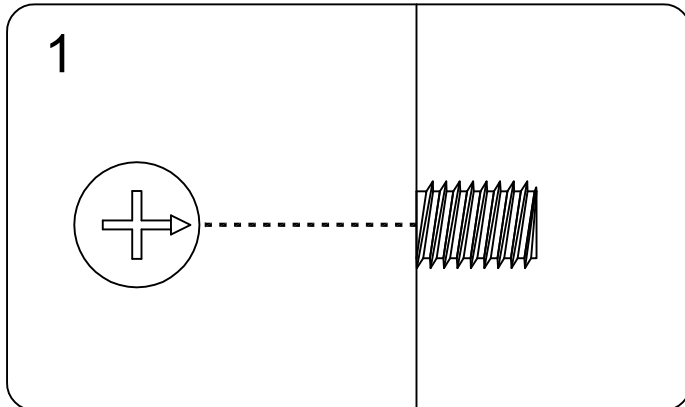
# Parts and Fittings

Fittings to scale (actual size)

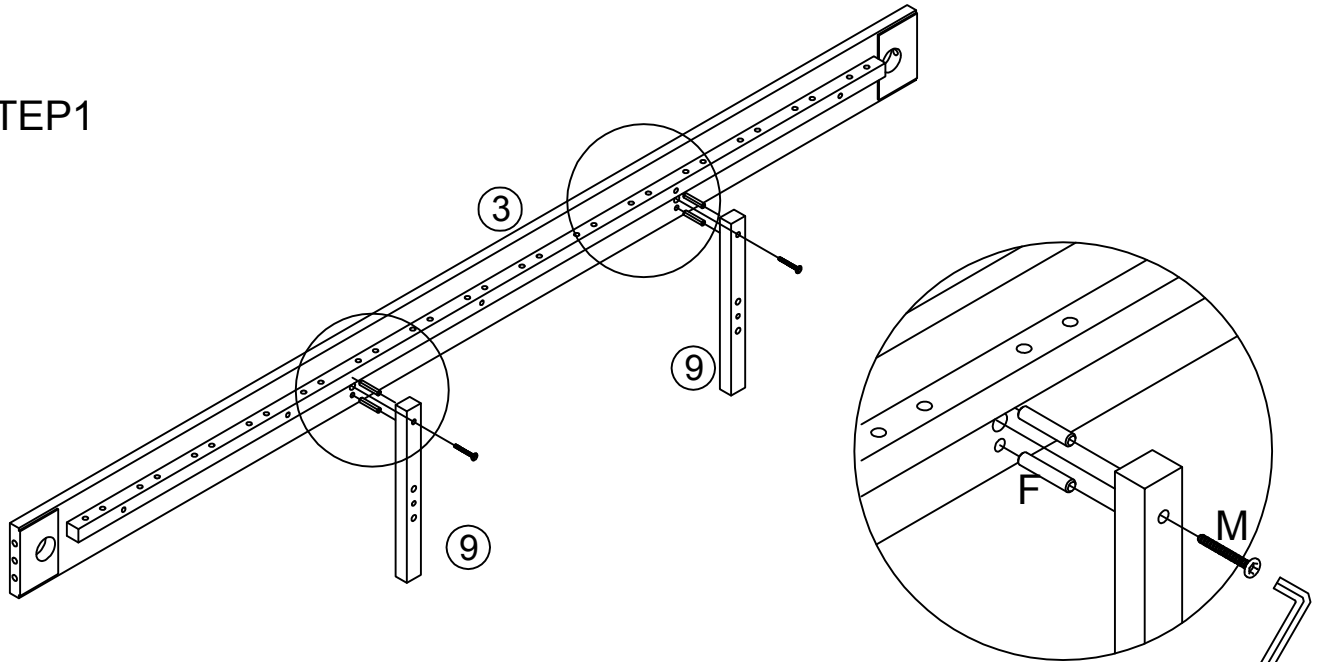
REF	Dimensions	QTY
A	Ø35 mm	5
B	M8×74 mm	5
C	Nut M8	5
D	Spring washer 8×12	5
E	Wood dowel Ø10×40	8
F	Wood dowel Ø8×30	10
G	Wood dowel Ø6×30	12
H	Locking Nut	18
I	Locking Pin	18
J	Screw Ø4×35	14
K	Screw Ø7×60	1
L	Bolt M6×15	4
M	Bolt M6×35	2
N	Bolt M6×60	2
O	Bolt M8×35 <small>(Already inserted into support legs)</small>	2
P	Allen Key M6	1
Q	Allen Key M8	1
R	Spanner M8	1
S	Double Plastic cap	15
T	Single Plastic cap	30



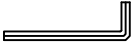


# TIGHTENING INSTRUCTIONS

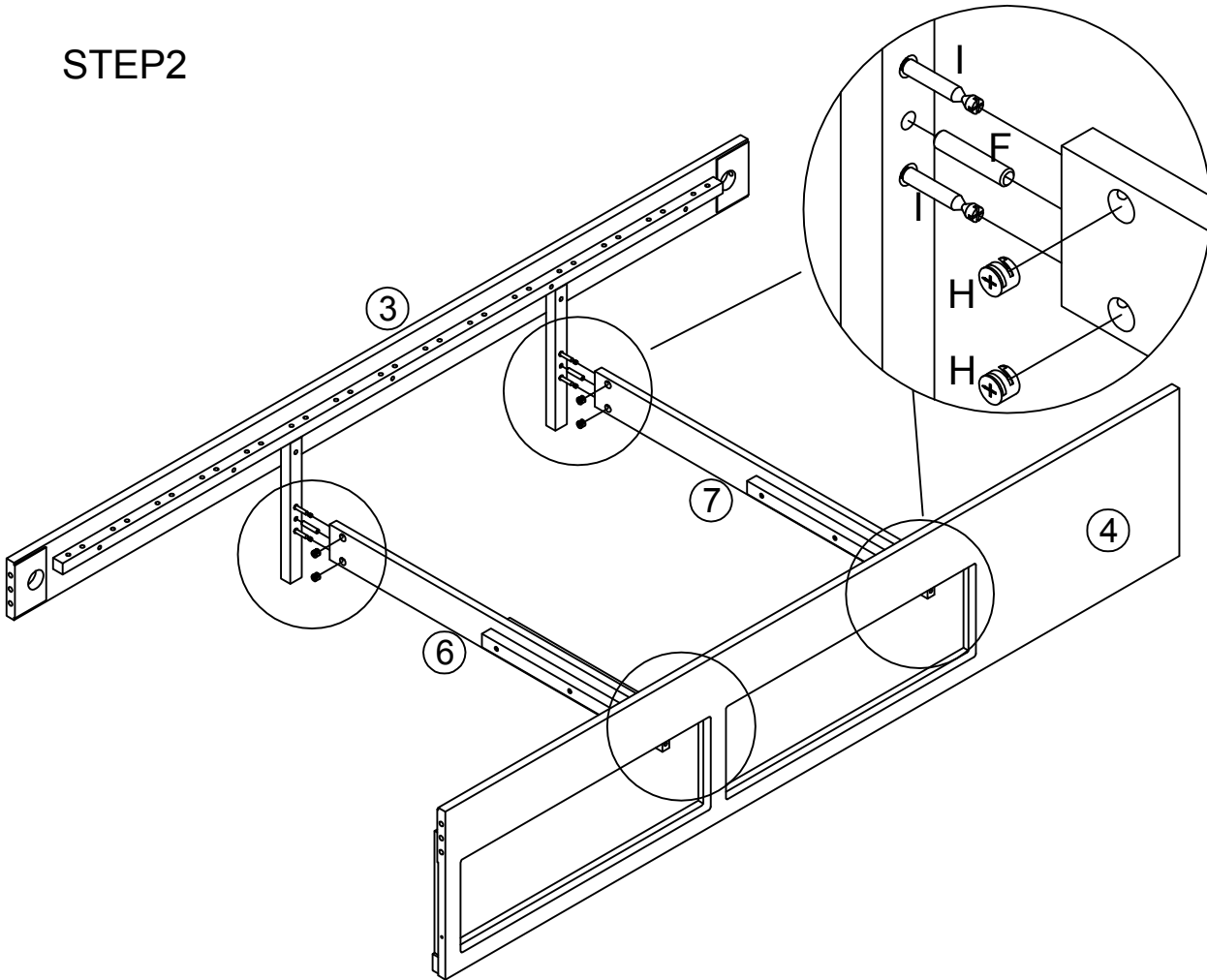




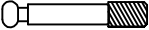
# STEP1



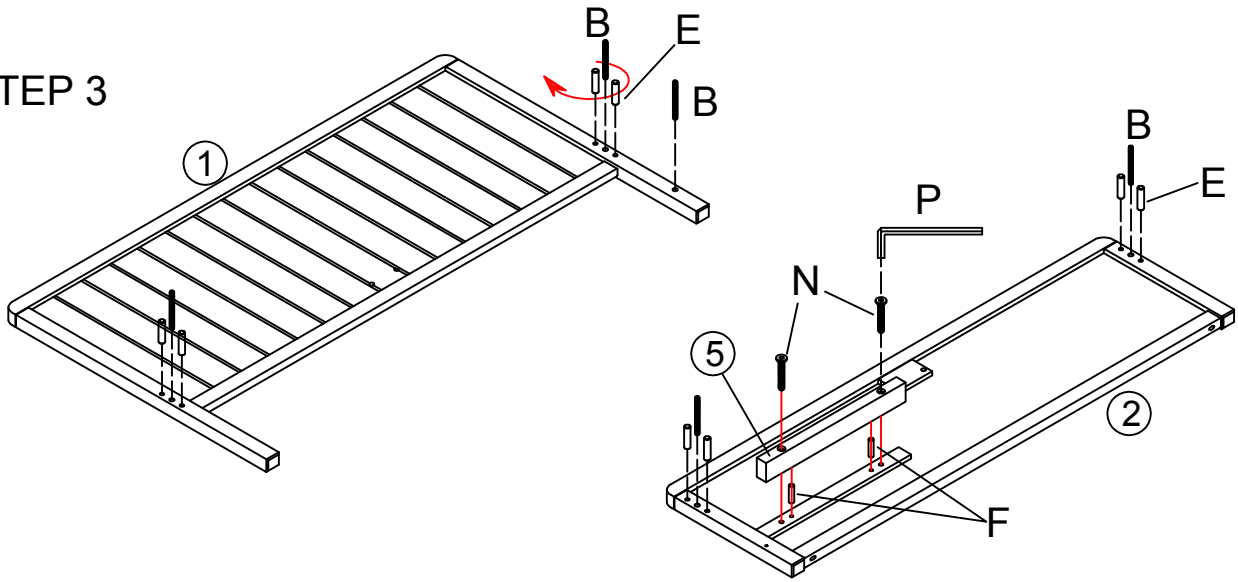
- M  M6x35 2pcs
- F  Ø8x30 4pcs
- P  M6 Allen key





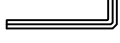
# STEP2



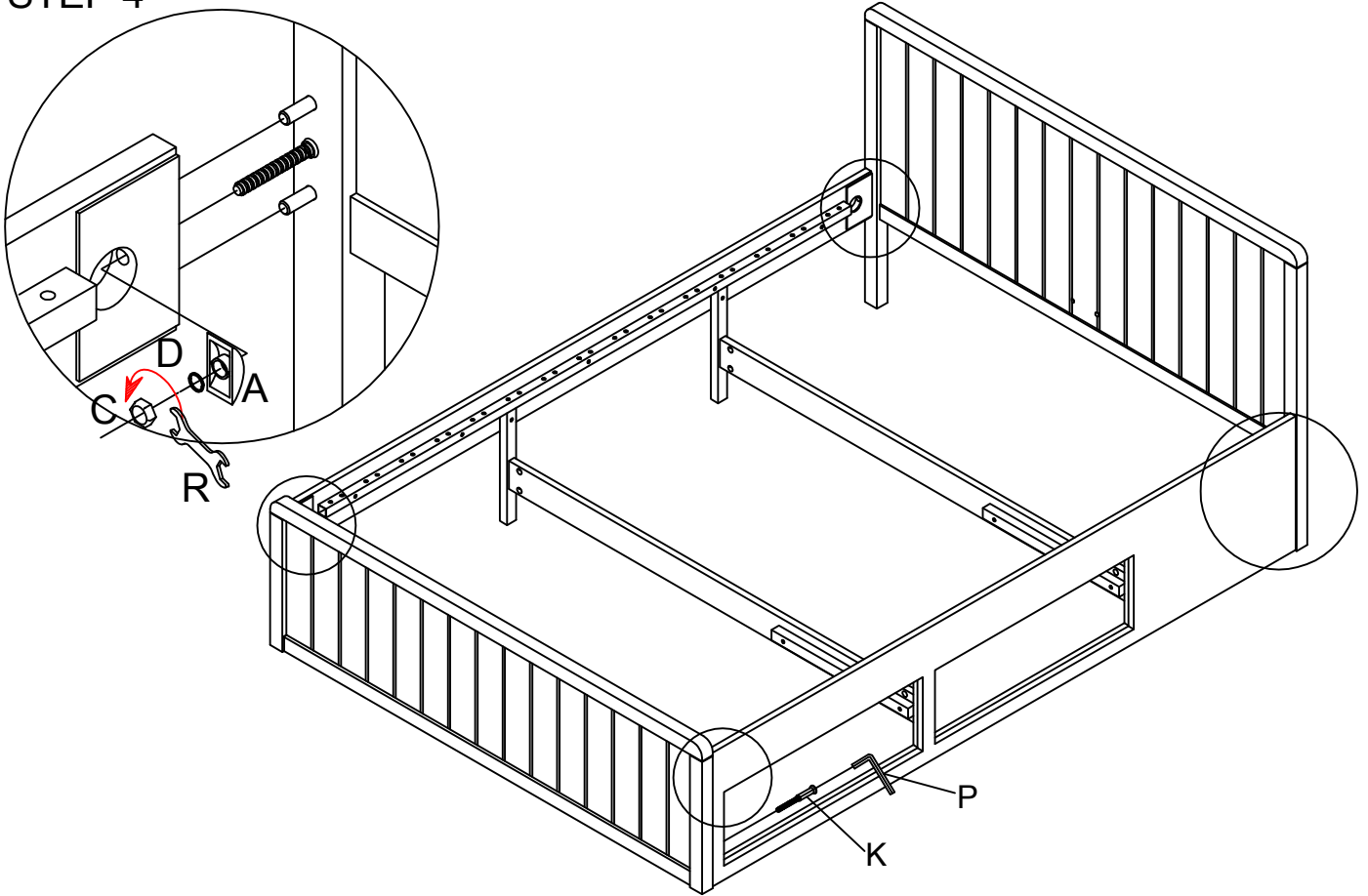
- F  Ø8x30 4pcs
- H  8pcs
- I  8pcs

STEP 3



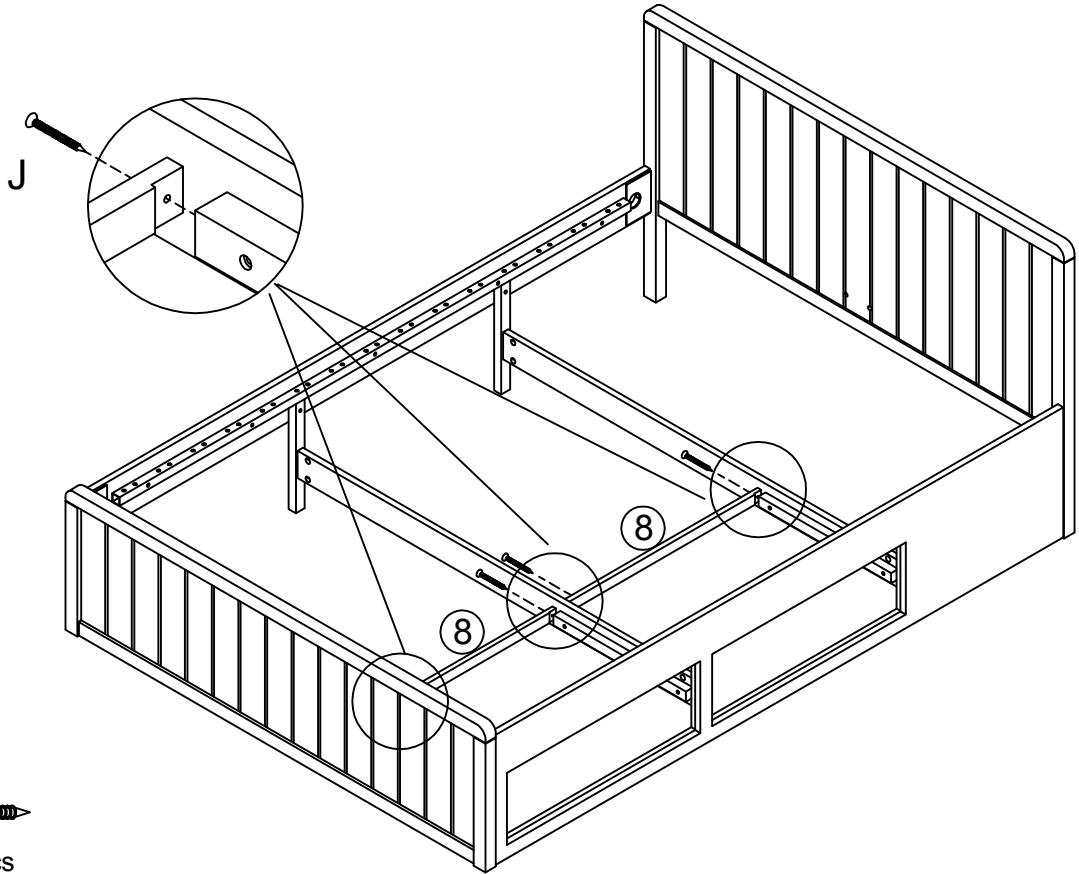
- |   |   |   |   |   |   |   |  |   |   |
|---|---|---|---|---|---|---|--|---|---|
| B |  | E |  | F |  | N |  | P |  |
|   | M8×74 5pcs  |   | Ø10×40 8pcs   |   | Ø8×30 2pcs  |   | M6×60 2pcs   |   | M6 Allen key  |


STEP 4



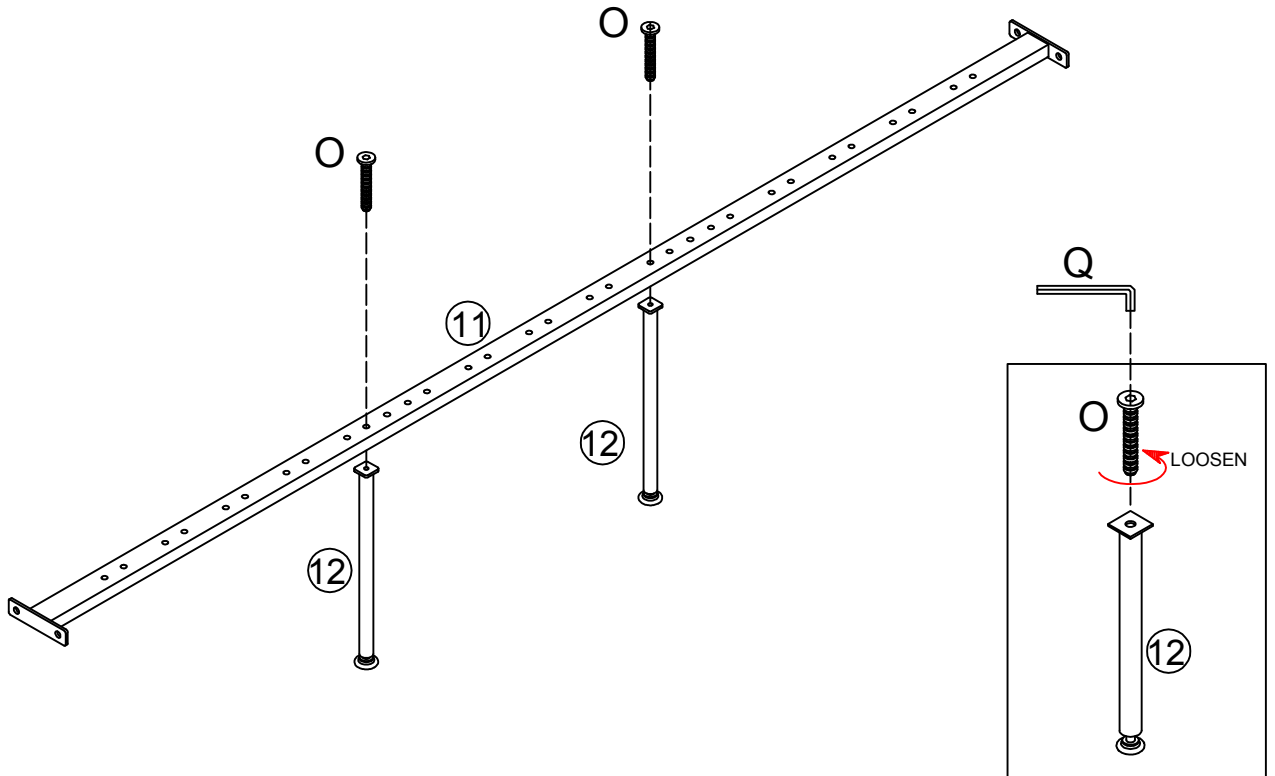
- |   |   |   |   |   |   |   |   |   |   |   |   |
|---|---|---|---|---|---|---|---|---|---|---|---|
| A |  | C |  | D |  | R |  | K |  | P |  |
|   | 5pcs  |   | M8 5pcs   |   | 8*12 5pcs   |   | Spanner   |   | Ø7×60 1pc   |   | M6 Allen key  |


## STEP 5




J   
Ø4×35 4pcs

## STEP 6

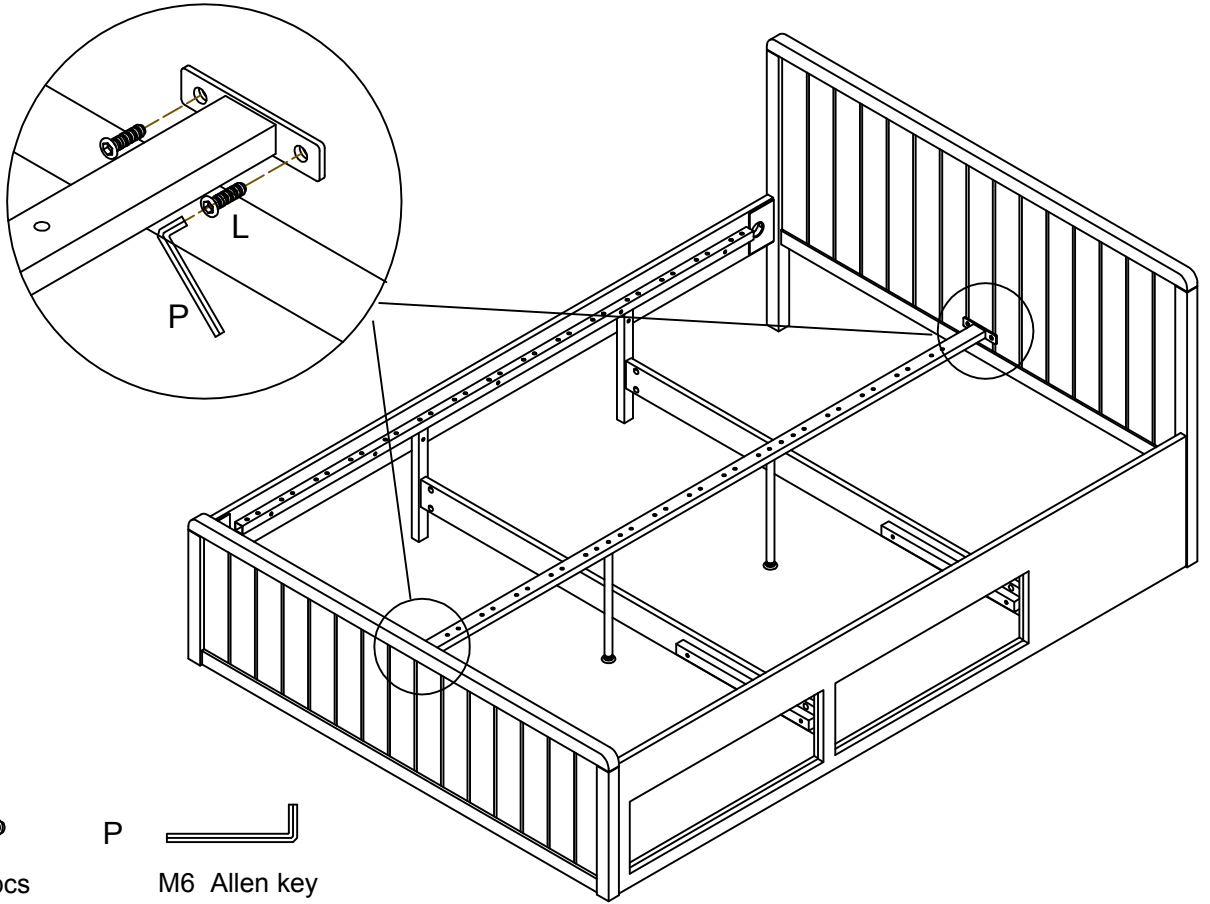



Q   
M8 Allen key


O   
M8×35 2pcs  
(Already inserted into support legs)



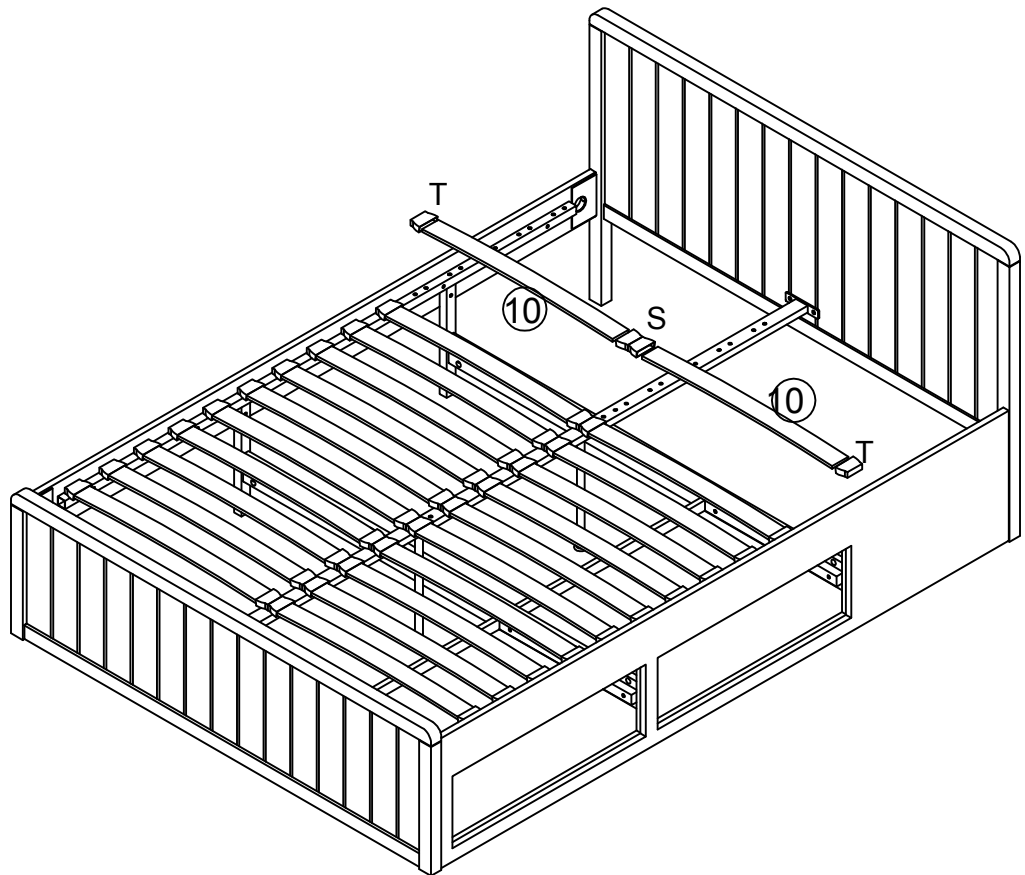
STEP 7

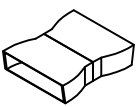


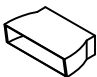
L   
M6x15 4pcs

P   
M6 Allen key

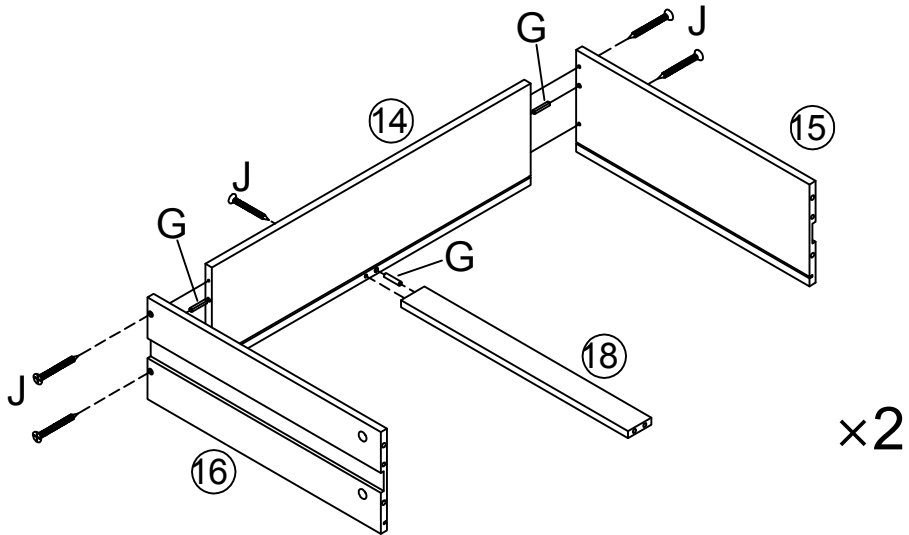
STEP 8



S   
Double plastic cap 15pcs

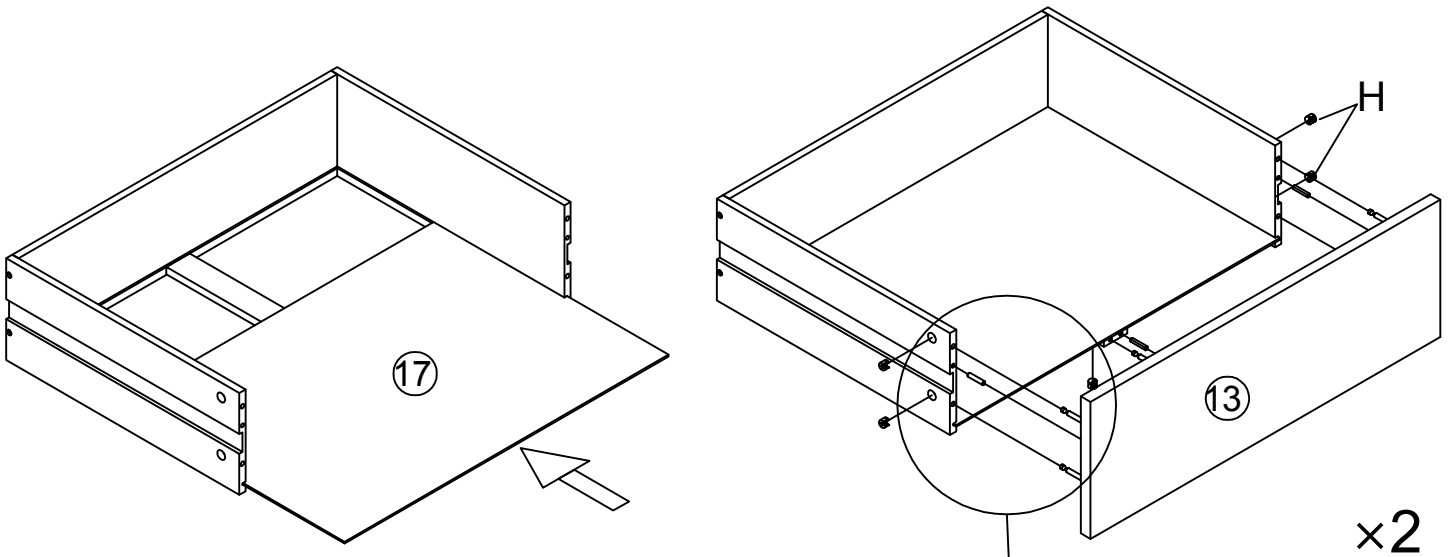
T   
Single plastic cap 30pcs



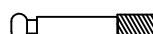
# STEP 9



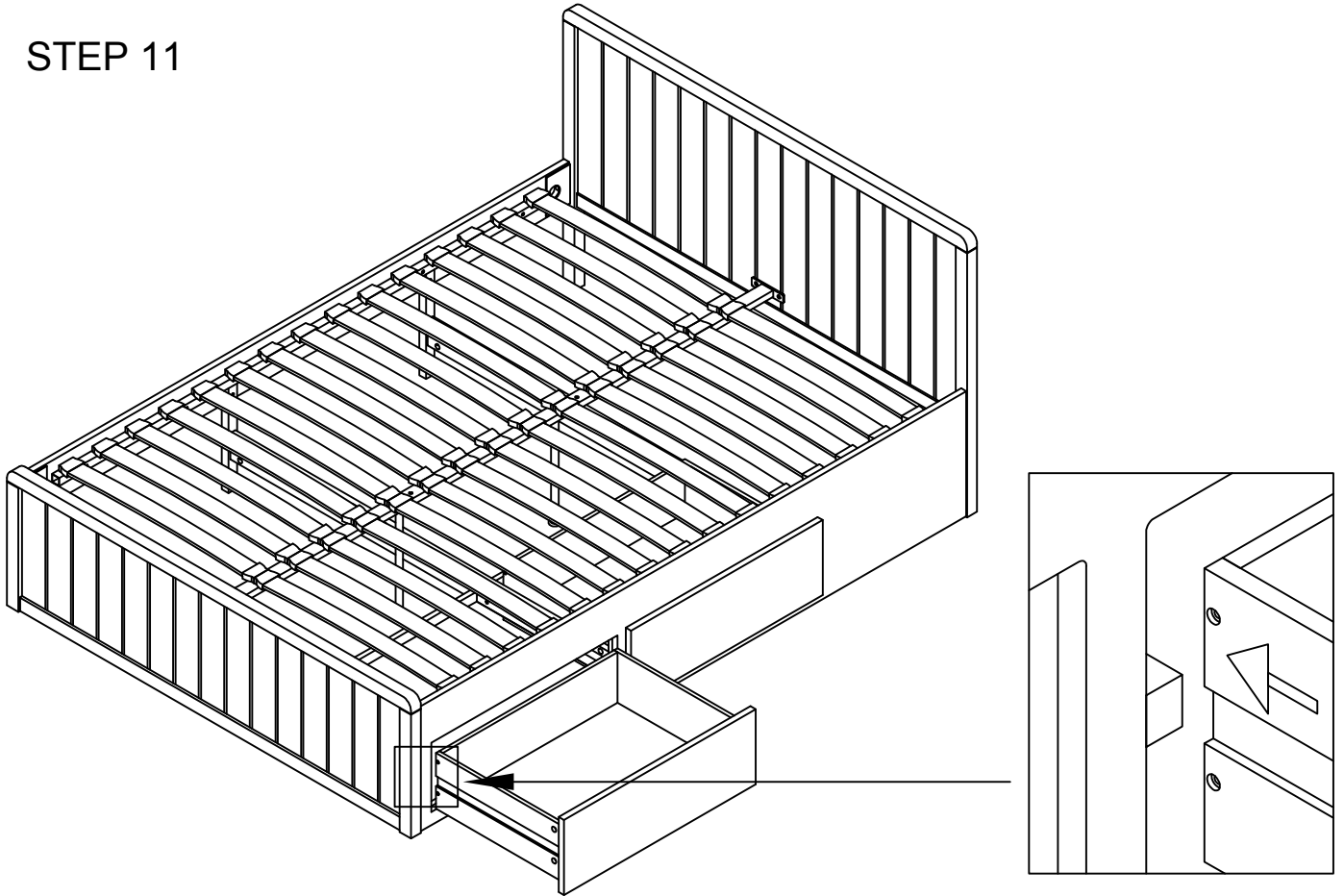
- J  Ø4x35 5pcs
- G  Ø6x30 3pcs

# STEP 10

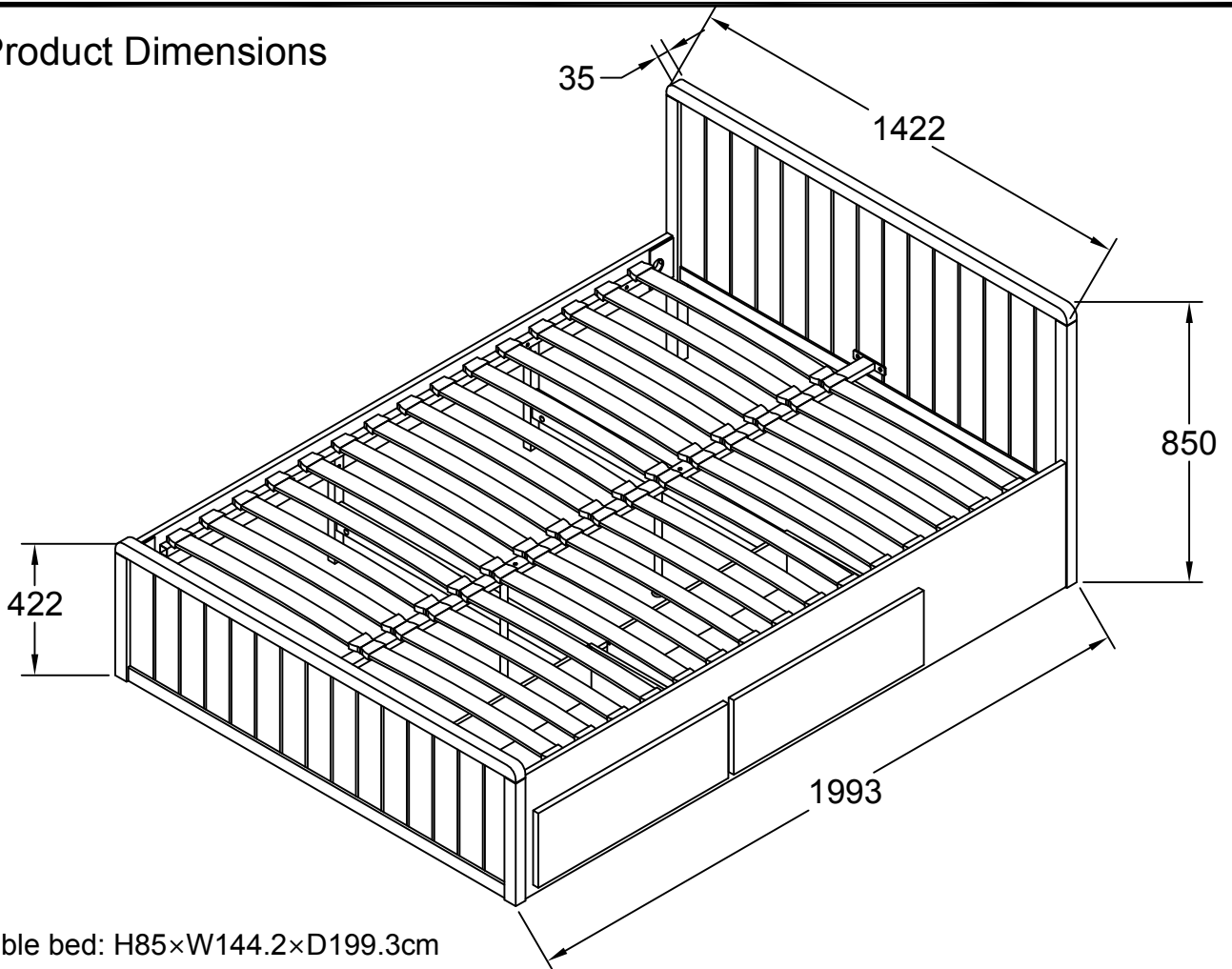


- G  Ø6x30 3pcs
- H  5pcs
- I  5pcs

STEP 11



Product Dimensions



---

## Care Advice

---

### Regular care advice

Vacuum clean your upholstery at least once a week, dust removal may be improved by pre-brushing with a soft cloth

For velvet items use a soft brush lightly dress the fabric. Lightly wipe with a slightly dampened cloth to clean.

For velvet items avoid scratching the fabric as the pile may not recover and may permanently mark it

Do not use silicone based furniture polish. Polishes can break down or stain the fabric

### General care advice

This product should only be used on level ground

Please periodically check all fittings and re-tighten as necessary

Do not jump or stand on your bed  
Keep away from strong heat sources

Do not use this item if components are missing or broken

When placing furniture on a wooden or laminate floor, please ensure that plastic or felt protectors are securely fitted and in place

Keep upholstery out of direct sunlight and excessive heat to avoid discolouring and damage

Ensure middle support legs are set 5-10mm from the floor surface without the mattress in place.

When in use the legs will create the support required

Do not drag your assembled bed. Always remove the mattress and lift the bed with 2x people. After moving always check that the centre support legs are securely fixed and in a vertical position

### For accidental spills or stains

Never allow any kind of liquid to remain on your furniture. Absorption can cause finishes to de-laminate or stain

Don't rub or scrub with a cloth as this could damage the fabric and remove the colour  
Don't use washing up liquid, detergents or bleach to remove stains

Don't soak or allow fabric to become wet  
Do blot or soak up spills immediately using a dry soft colourfast cloth

Do use specialist upholstery cleaner if needed, always follow the manufacturer's instructions and always test on a hidden area to check colour fastness. Allow the test patch to completely dry first. If the fabric colour is affected, do not use this cleaner on the rest of your product and consult a specialist

**Finally, we hope you enjoy your furniture for many years to come and thanks again for your purchase.**