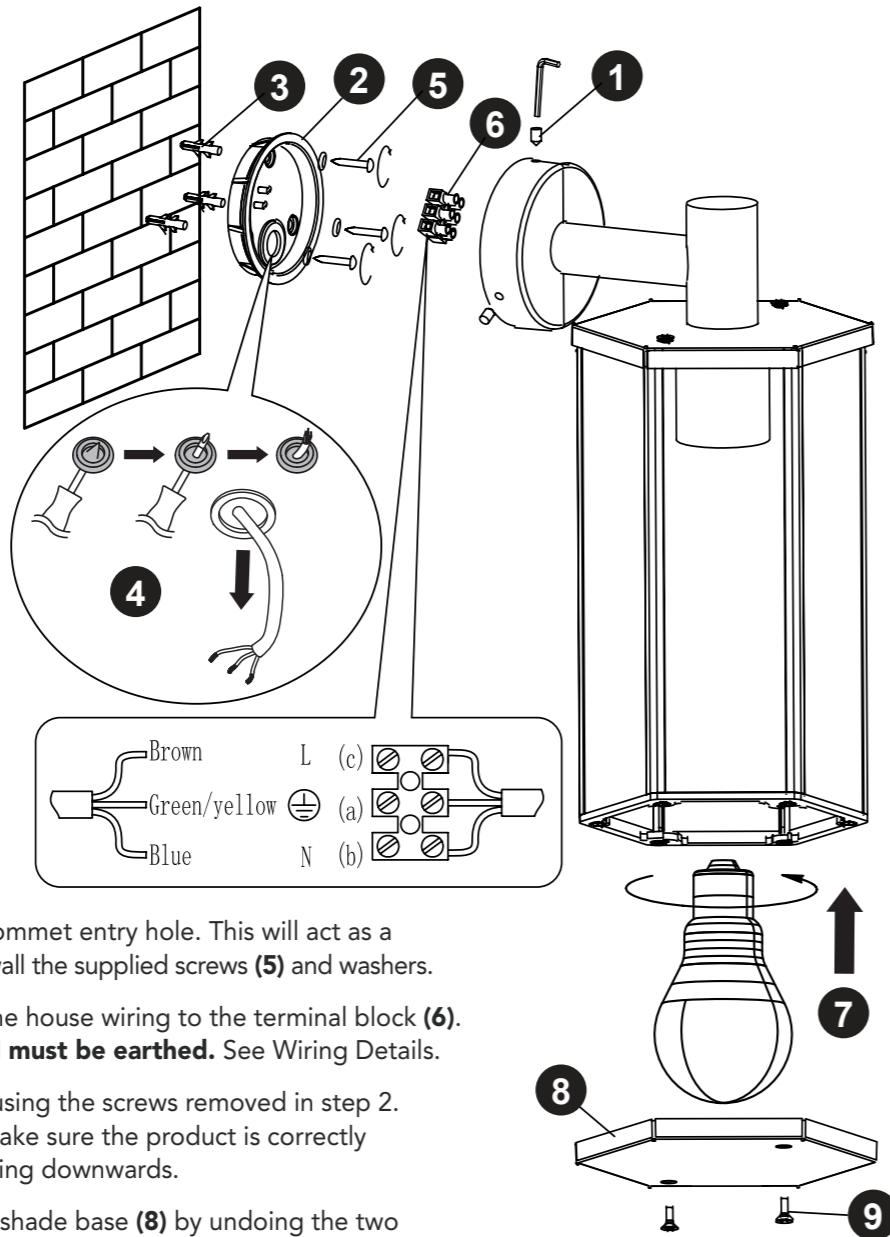


Assembly Instructions

You have your fittings in place, and tools at the ready, so let's begin

1. Decide on the position of the light fitting, or remove existing light fitting. Note the position of the electrical connections. Ensure there is a solid mounting surface, preferably a brick wall, to support the weight of the light fitting.
2. Using the hex key provided, remove the three small screws (1) from the product and lift the light fitting body away from the wall back (2). Keep the screws in a safe place for use later.
3. Using the wall back as a template, mark the position of the mounting holes. Drill holes and fit supplied wall plugs (3) (suitable for masonry only - for other surfaces use appropriate fixings). Take care not to damage any wiring or pipes when drilling the holes.
4. Carefully pierce a small hole in the rubber grommet (4) in the centre of the wall back to allow the cable to pass through. Feed the incoming mains supply cable through the grommet entry hole. This will act as a water ingress guard. Secure to the wall the supplied screws (5) and washers.
5. Support your fitting and connect the house wiring to the terminal block (6).
NOTE: This is a Class I fitting and must be earthed. See Wiring Details.
6. Refit the product to the wall back using the screws removed in step 2. Take care not to trap any wiring. Make sure the product is correctly orientated with the lampholder facing downwards.
7. To fit the bulb (7), first remove the shade base (8) by undoing the two small screws (9) on the bottom of the product.
8. Fit the bulb. Max 10W LED E27 GLS Filament bulb. **NOTE: Never fit bulbs of a higher wattage than those specified on the label (as these may cause overheating and damage the fitting).**
9. Refit the shade base and secure in place using the two screws. Tighten to secure.
10. Turn on the power and test.



Finally, we hope you enjoy your light for many years to come and thanks again for your purchase.

DEAR CUSTOMER



Thank you for purchasing your new light fitting from Dunelm.

We put a lot of effort into sourcing and supplying great products, so they are:

- Easy to assemble
- Produced using durable, quality materials

If for any reason you are unhappy with this product, please don't hesitate to contact us on **0845 1 65 65 65** where our customer services team will be happy to help.

The next step...

There is no need to feel daunted by the number of parts and fittings in front of you, as we have compiled this straight forward, step-by-step guide to make sure that assembling your fitting is as easy as 1, 2, 3.

Before you begin, we advise that you check that you have everything you need to get started. A full list of components can be found on page 3 of this manual.

TOP TIP

Find a space to lay the fitting and fixtures out before you begin, and familiarise yourself with the parts.

Ready...?

You are nearly ready to begin, but before you do, make sure you take the time to read through and fully understand our SAFETY AND CARE ADVICE detailed on page 2 of this manual.

We hope you enjoy your light for years to come.

The Dunelm Team

Safety and Care Advice

IMPORTANT - The first step you need to take is to ensure your safety! Please take the time to read and understand these instructions before assembling your light, and retain for future reference.

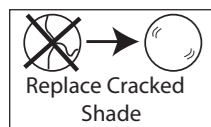
- This product is only suitable for connection to a 240V~50Hz supply in accordance with current IEE wiring regulations. It should be installed in accordance with local building regulations.
- This product is IP44 rated and is suitable for outdoor use.
- Before installing your light fitting always switch off the mains supply and remove the appropriate fuse or switch off the appropriate circuit breaker before commencing installation.
- If replacing an existing fitting, make a careful note of the connections.
- This product is suitable for installation on surfaces with normal flammability e.g. wood, masonry. It is not suitable for use on highly flammable surfaces or in flammable atmospheres.
- Never put anything on the product or hang anything on any part of this product.
- This is a Class I product. This fitting requires an Earth. The terminal blocks are supplied according to requirements of the fitting.
- Never fit bulbs of a higher wattage than those specified on the label, as these may cause overheating and damage the fitting.
- This product contains glass so care must be taken when fitting or handling to prevent personal injury or damage to the product.
- If you are in any doubt about your competence please consult a qualified electrician.
- If any modification is made it will invalidate the warranty and may render the product unsafe.
- Keep children and animals away from the assembly area.
- This fitting contains small parts that could cause choking if swallowed.
- Keep all plastic wrapping materials away from children to avoid danger of suffocation.
- Ensure that all packaging is disposed of carefully and responsibly.

Care and Maintenance Advice

In order to prevent damage or wear to your fitting, take care to ensure the following:

Allow 10 minutes to cool before replacing, adjusting or cleaning.
Clean with a dry cloth only. In order to preserve the finish, do not use liquid or abrasive cleaners on this product.

Glass parts - Wipe clean with a damp cloth. Do not use abrasive materials as these will damage the finish.
Take care when handling glass parts to avoid damage or injury.



Do not use this product if the shade is cracked or damaged.

Our packaging is recyclable, please recycle where facilities exist.

Waste electrical products should not be disposed of with household waste. Please recycle where facilities exist. Check with your Local Authority or retailer for recycling advice.

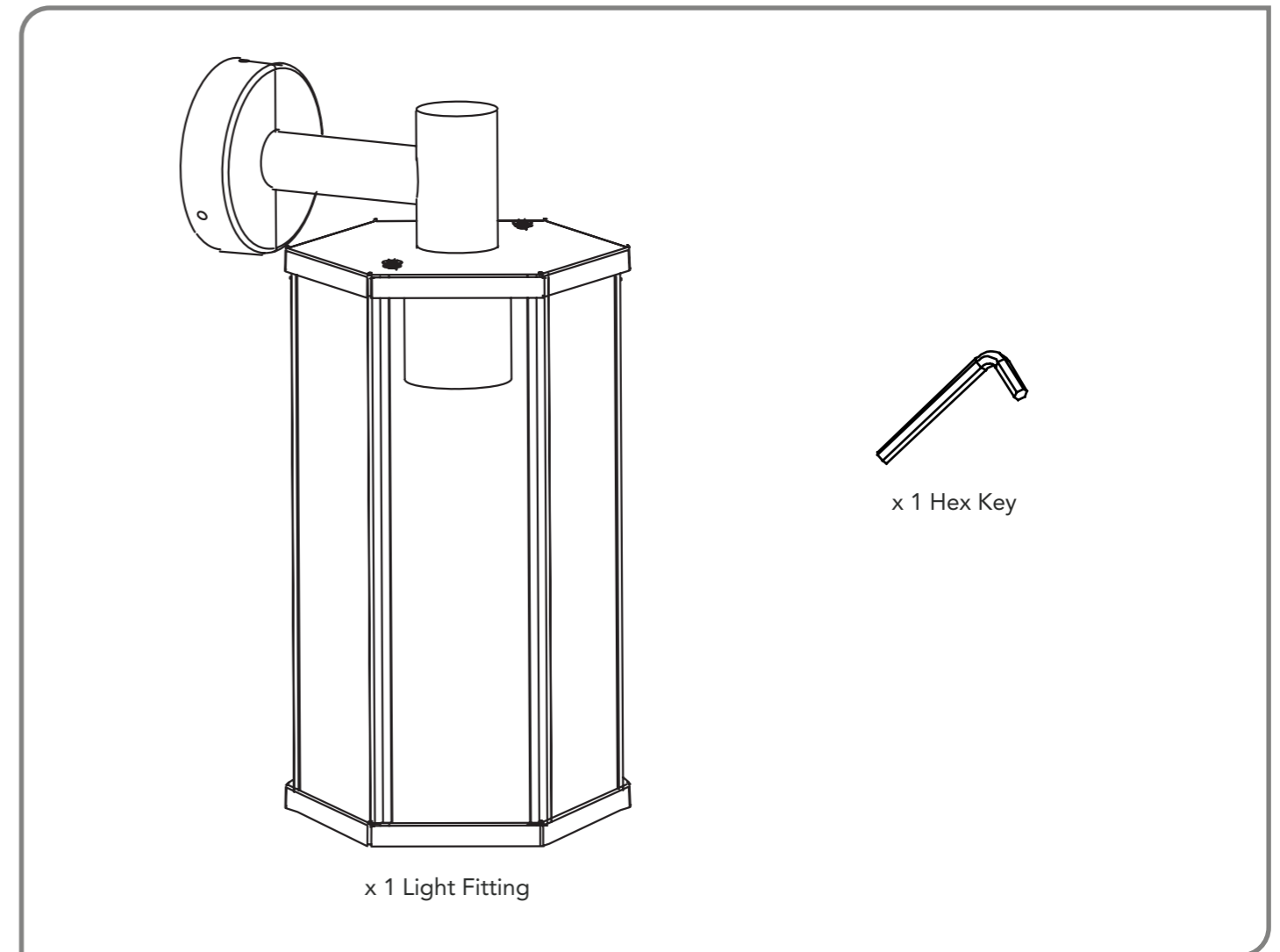
We're happy to recycle your old light for free. Simply bring it to store within 28 days of purchase of your new light, with your receipt, and we'll make sure your old light stays out of landfill.

dunelm.com
Manufactured in China for
Dunelm (Soft Furnishings) Ltd. LE7 1AD
& Dunelm (Soft Furnishings)
Londonderry Ltd. BT48 8QN



03092024 - 30869737

Component Parts



Component Fittings

A



Screws x 3

B



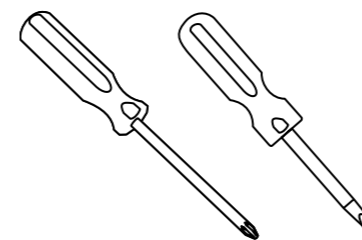
Wall plugs x 3

C

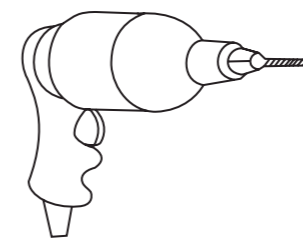


Washers x 3

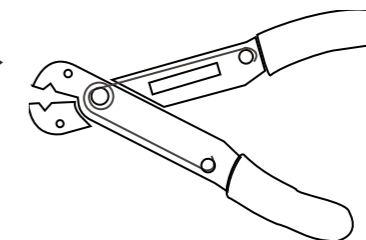
Tools Required



Cross-head and Flat screwdrivers



Electrical drill



Wire strippers



Electrical insulation tape