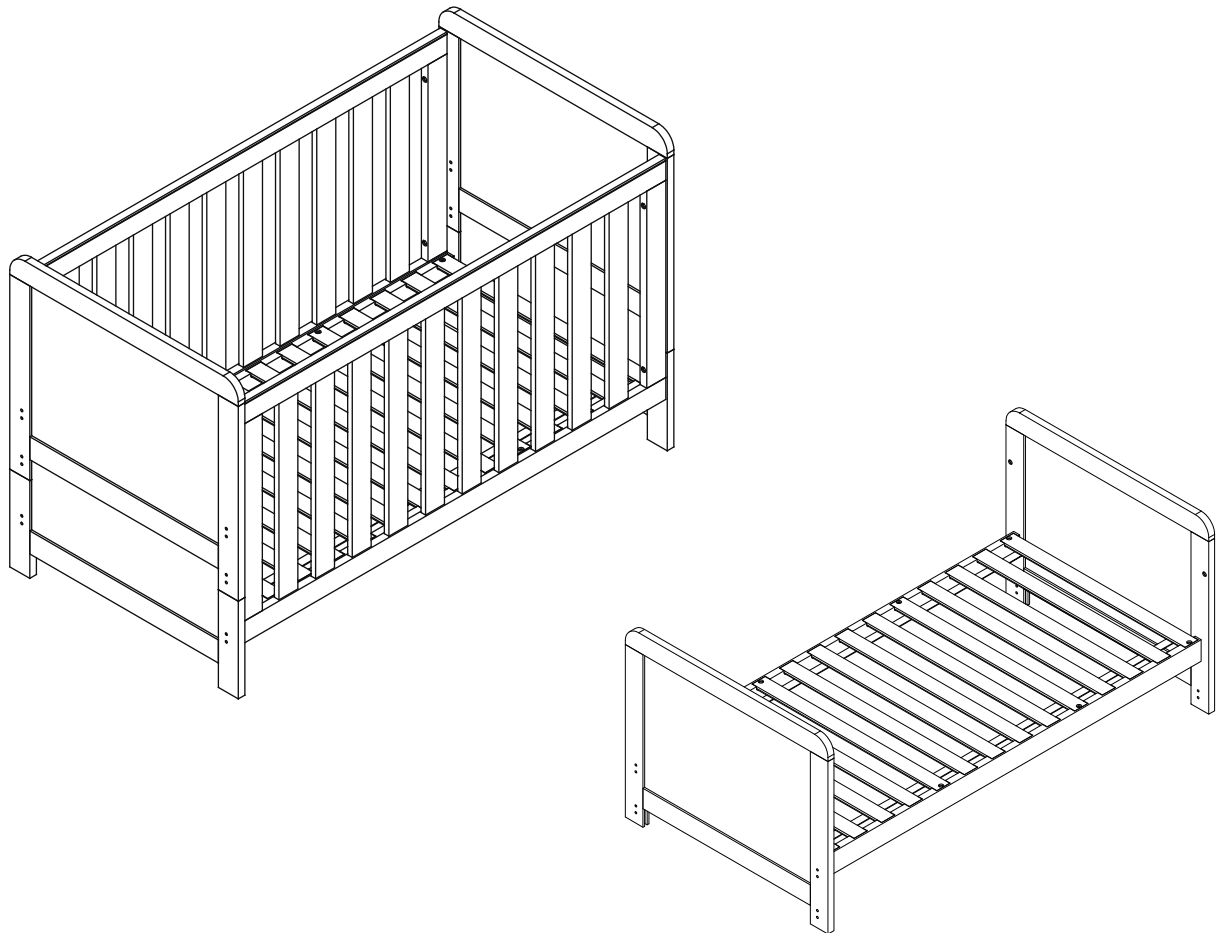


# INSTRUCTIONS

## CARO COT/BED



V1/491122  
Baby more Ltd

**Babymore**  
more for your baby

Thank you for purchasing Babymore furniture.  
If you need assistance, spare parts or you are unhappy with the goods.  
T: +44 (0) 203 475 5588 E: [customerservices@babymore.co.uk](mailto:customerservices@babymore.co.uk)

Due to constant updating and improvements, some components may occasionally differ slightly from the diagrams shown in these instructions.  
We reserve the right to change the specifications of any piece of product without prior notice.

# IMPORTANT: READ CAREFULLY AND RETAIN FOR FUTURE REFERENCE

## INSTRUCTIONS FOR SAFE USE

The correct use and maintenance of your cot/bed will ensure it gives long and trouble-free use.


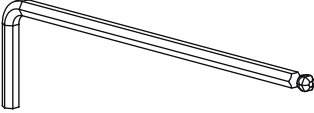

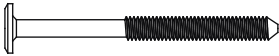

Please ensure everyone use your cot/bed knows how to using it. The safety of your child is your responsibility.

- **WARNING:** Be aware of the risk of open fires and other sources of strong heat, such as electric bar fires, gas fires, etc. in the near vicinity of the cot.
- **WARNING:** Do not use the cot/bed if any part is broken, torn or missing and use only spare parts approved by Babymore.
- **WARNING:** Do not leave anything in the cot or place the cot close to another product which could provide a foothold or present a danger of suffocation or strangulation, e.g. strings, blind/curtain cords, etc.
- **WARNING:** Do not use more than one mattress in the cot.
- **WARNING:** When converted to a child's bed, do not place this bed near heat sources, windows and other furniture.
- The lowest base position is the safest. Once your child is old enough to sit up unaided the base should be used in the lowest position only.
- The thickness of the mattress chosen shall be such that the internal height (surface of the mattress to the upper edge of the cot frame) is at least 500mm in the lowest position of the bed base and at least 200mm in the highest position of the bed base.
- To prevent child injury from falls, the cot should not be used when a child can climb out from the cot.
- Excessive chewing may damage the wood and cause splintering. If any part is damaged, stop using the cot until the correct part has been replaced.
- We recommend the use of a mattress minimum size of **70cm by 140cm** for this cot. With a thickness not exceeding **10cm**. The length and width of mattress shall be such that the gap between the mattress and the sides and ends does not exceed 30mm.
- Children are likely to play, bounce, jump and climb on beds, therefore the child's bed should not be placed too close to other furniture or windows, and should be placed either tight to any wall or have a gap of 300mm between the wall and the side of the bed.
- Please ensure that all assembly fittings always be tightened properly before use. And fittings should be checked regularly and tightened as necessary.
- Your cot/bed may be cleaned with a damp cloth. Never use bleach or harsh abrasives.
- Any additional or replacement parts are obtained from the Babymore or its distributor.
- This cot bed is designed to be dismantled for storage or transportation.
- This cot bed is intended for children aged from birth to 4 years approximately.
- The cot conforms to EN 716-1/2:2017 + AC:2019.  
When converted to bed, it conforms to BS 8509:2008 + A1:2011.

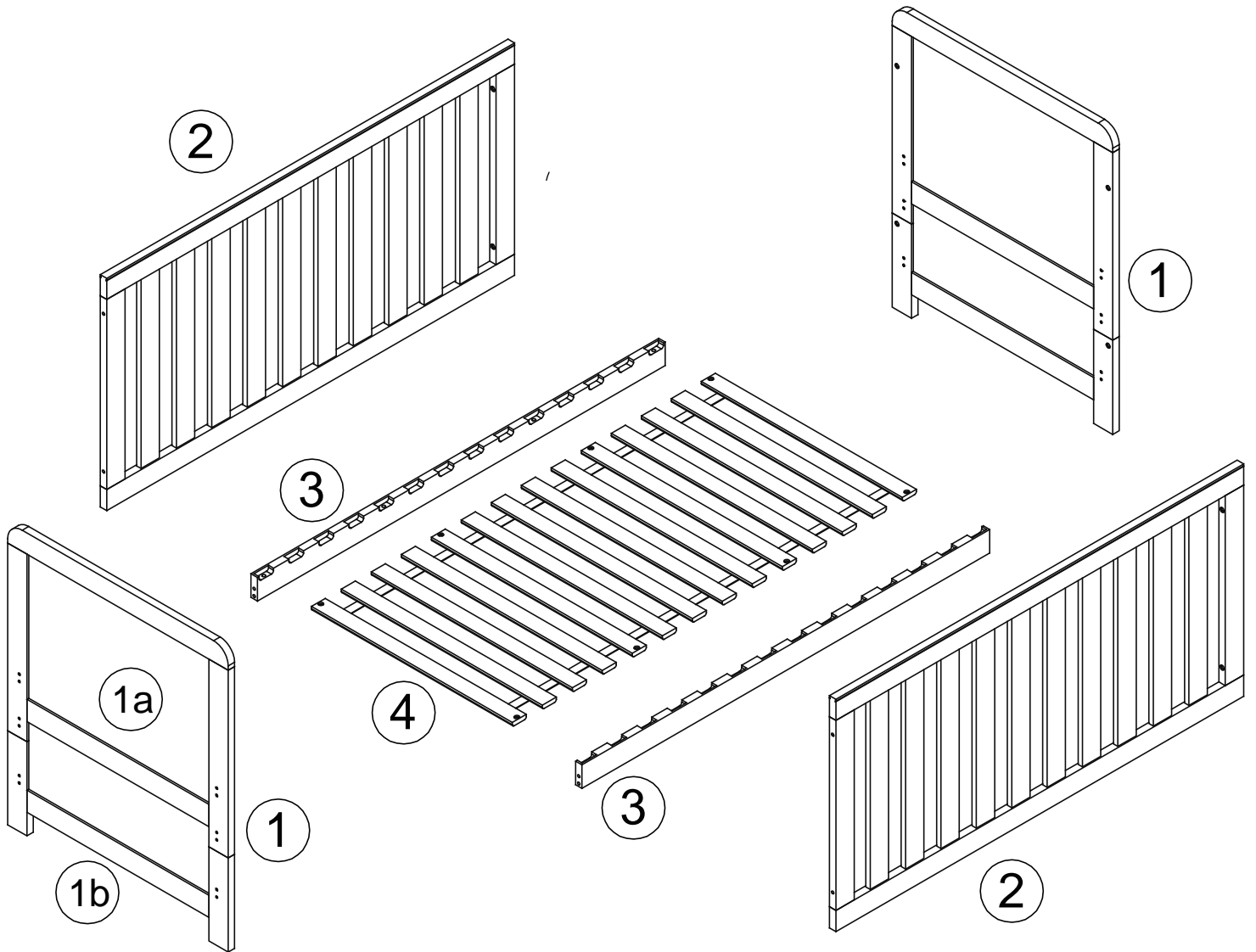
Improper assembly can result in damage to the furniture or cause harm, it is critical to ensure a safe and comfortable end result, please read all instructions before assembly.

- Unpack all parts and identify them against the components and fitting lists.
- Do not discard any packaging until you are sure you have all the parts and fittings.
- If you find any part missing or damaged or incorrect, contact customer services.
- You may find the construction easier with help of another person, in the room of use, on a soft clean floor so there is no damage caused to the furniture during construction.
- It is important to retain all fixings and components should the product be returned to cot or bed mode.

## FITTINGS

Item	Description	Qty	Item	Description	Qty
<b>A</b>	<b>Nuts M6/36</b>	<b>4</b>	<b>B</b>	<b>Allen key</b>	<b>1</b>
					
<b>C</b>	<b>Bolts M6/60</b>	<b>8</b>	<b>D</b>	<b>Bolts M6/75</b>	<b>8</b>
					
<b>E</b>	<b>Bolts M6/25</b>	<b>8</b>			
					

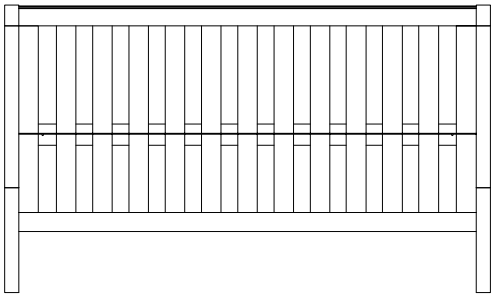
# COMPONENTS



Item	Description	Qty	Item	Description	Qty
1	Cot End	2	4	Base Slats	1
2	Side Panel	2			
3	Base Support Bar	2			

## Use cot bed in the correct mode

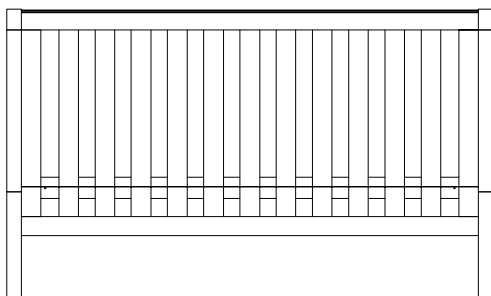
Make sure your cot bed is on the correct setting, and check regularly to avoid any injuries.



### Top base position

The highest position is normally for first 3 months, or until baby able to roll over unaided.

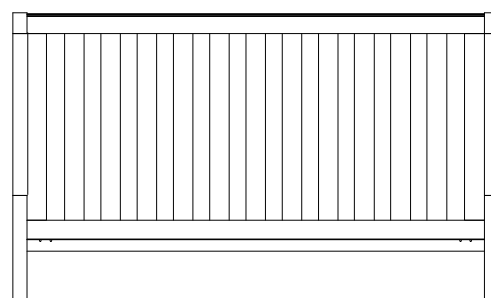
(approx. birth to 3 months)



### Middle base position

Adjust base to middle position, as soon as baby able to roll over unaided.

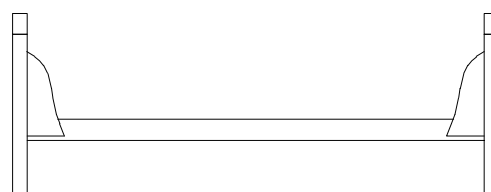
(approx. 3 months - 8 months)



### Lowest base position

The lowest position is the safest, and should always be used as soon as your baby is old enough to sit up unaided.

(usually about 8 months old)



### Change Cot to Bed

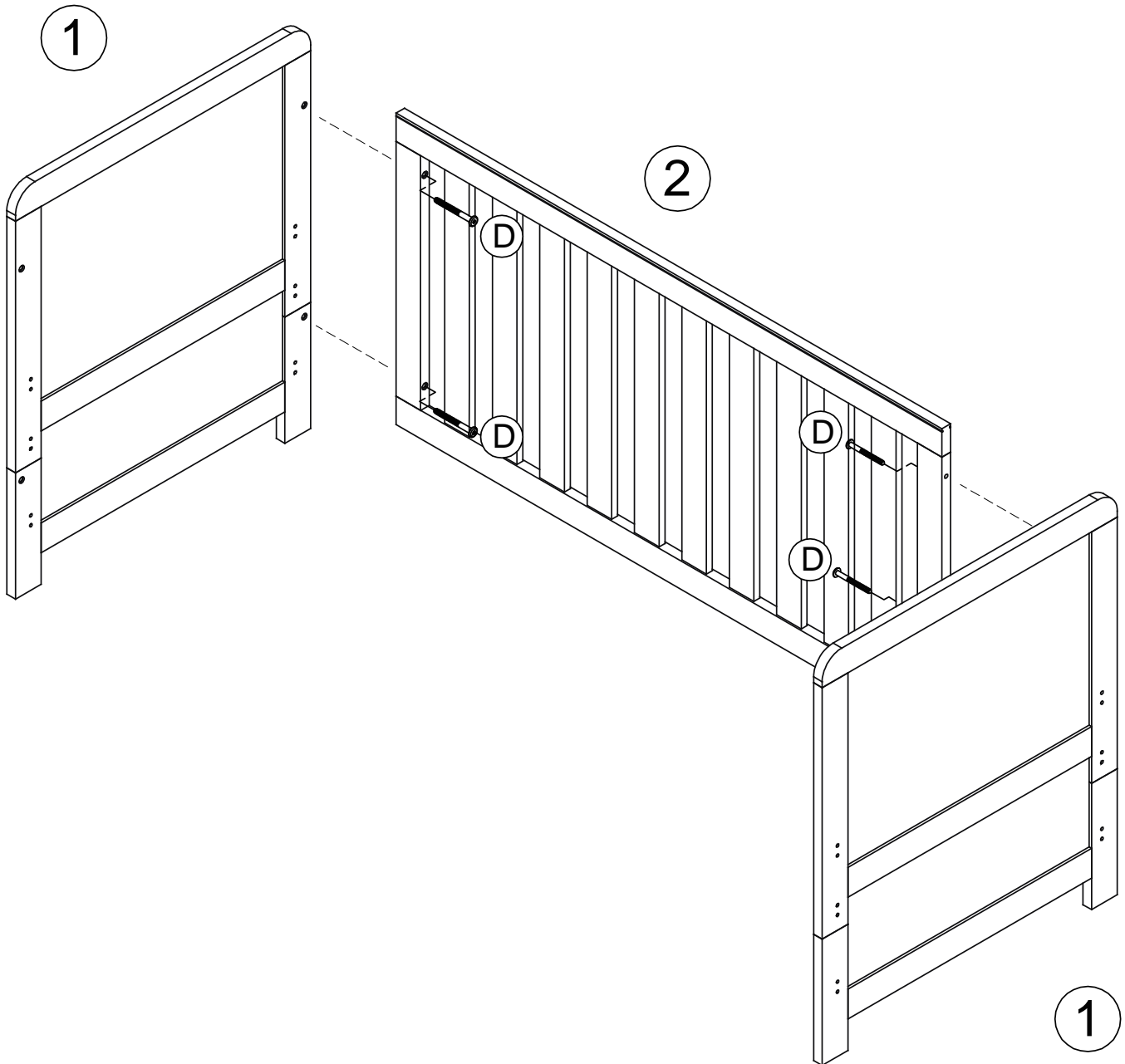
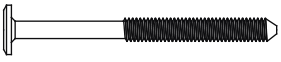
Change the cot into a bed when your baby can reach over the top rail, or shows any signs of trying to climb out.

(approx. 9 months - 18 months)

# ASSEMBLING COT

## Step 1

D - Bolts M6/75 x 4



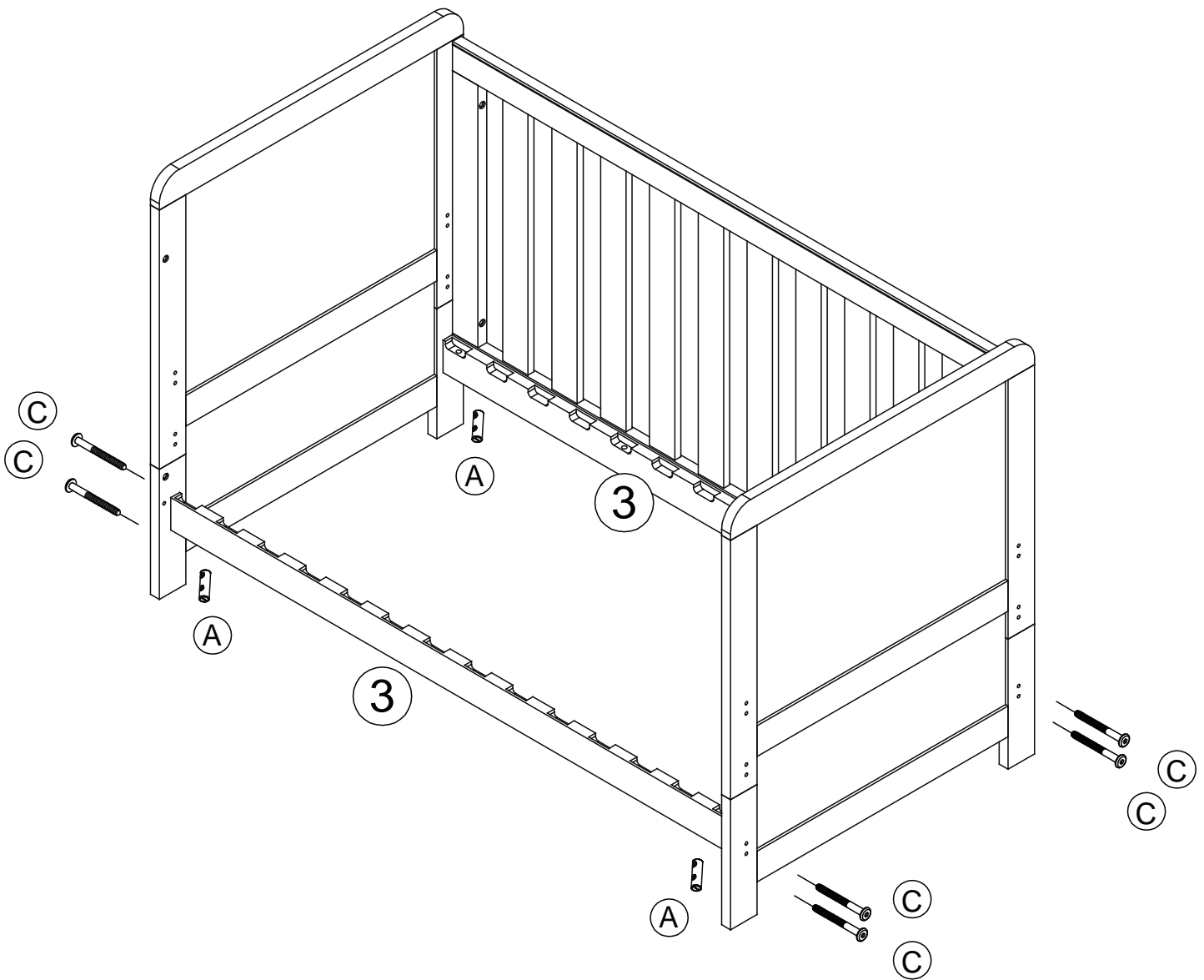
# ASSEMBLING COT

## Step 2

C - Bolts M6/60 x 8



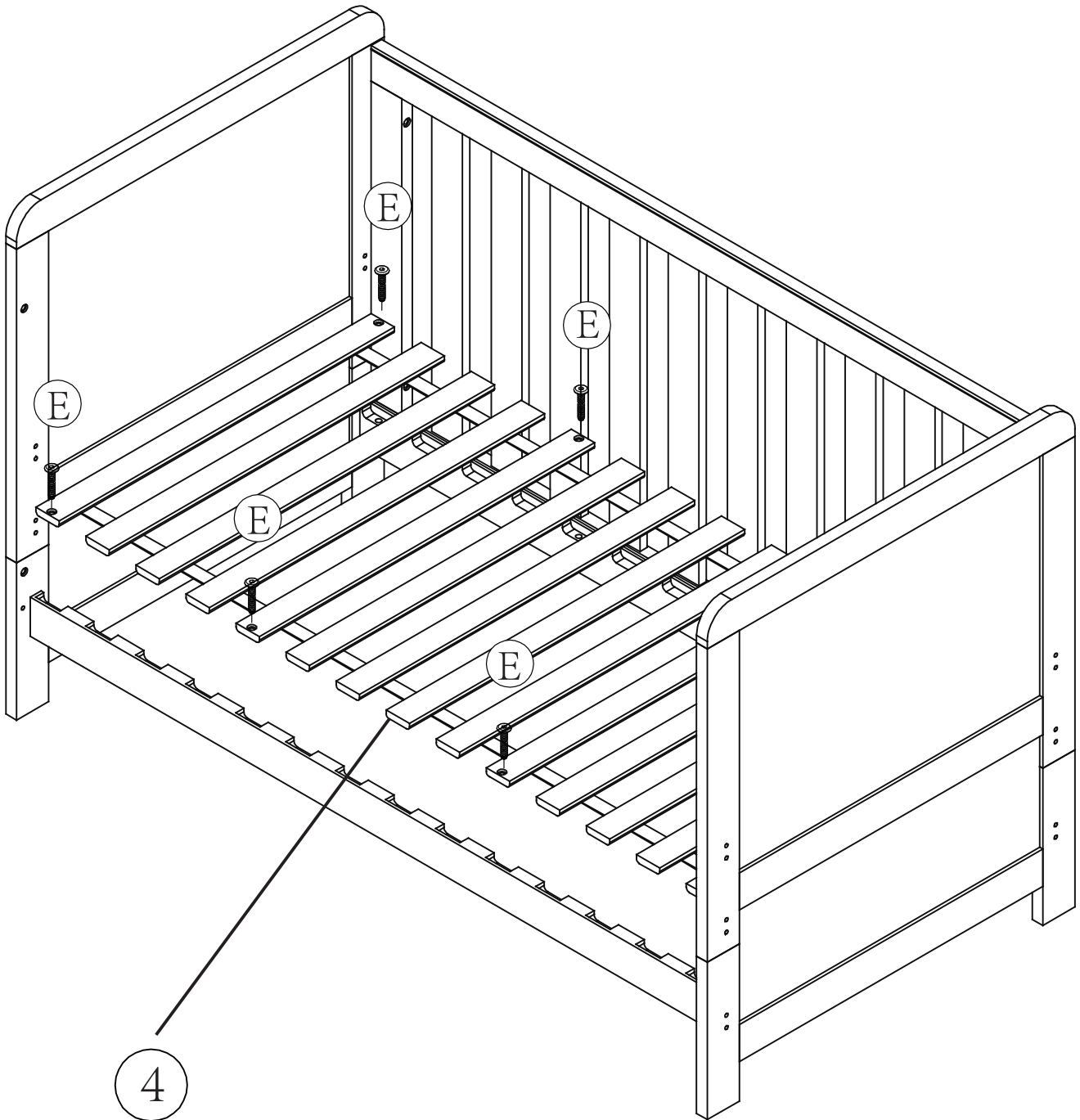
A - Nuts M6/36 x 4



# ASSEMBLING COT

## Step 4

E - Bolts M6/25 x 8

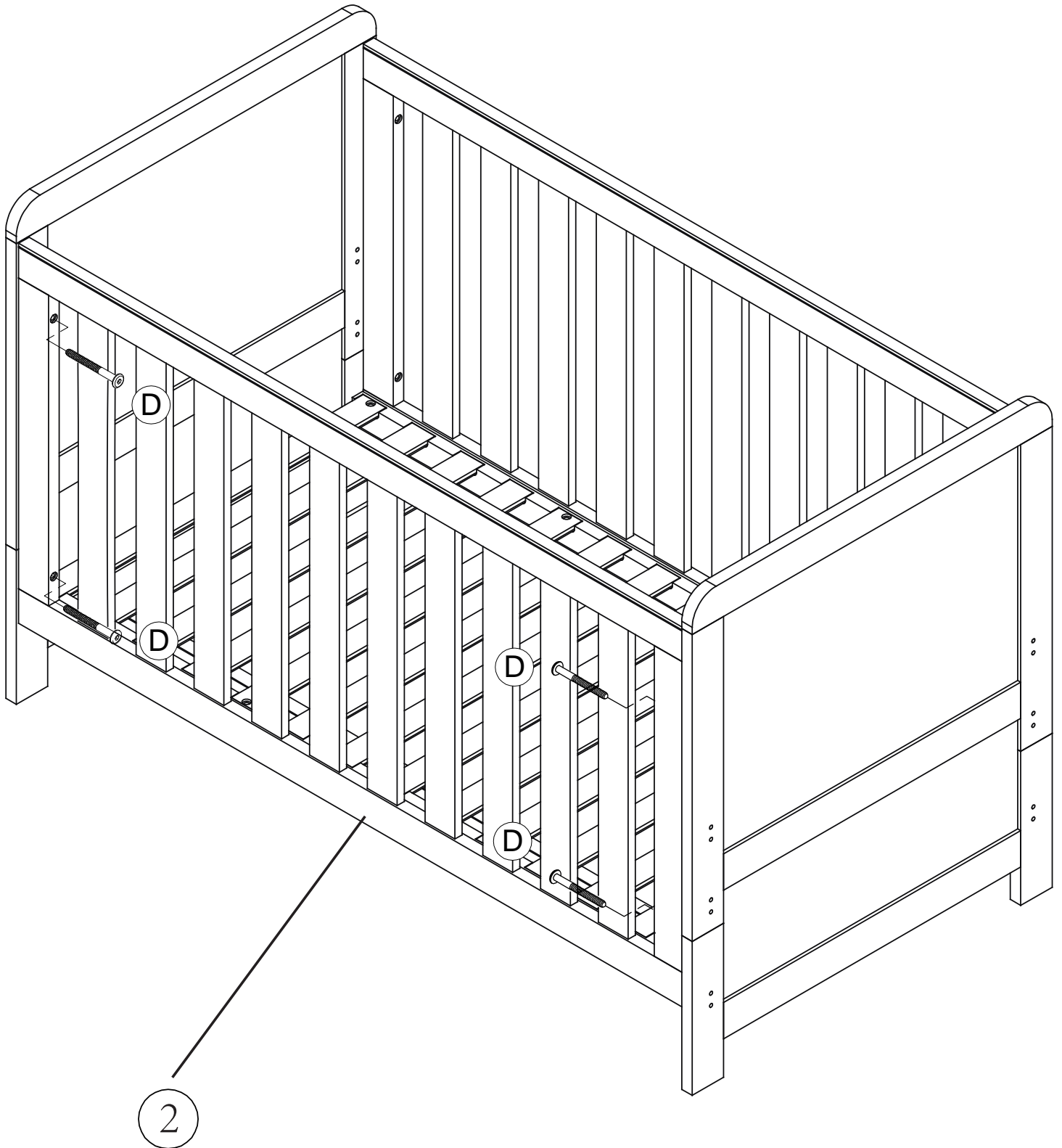
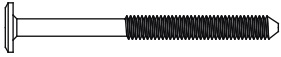




# ASSEMBLING COT

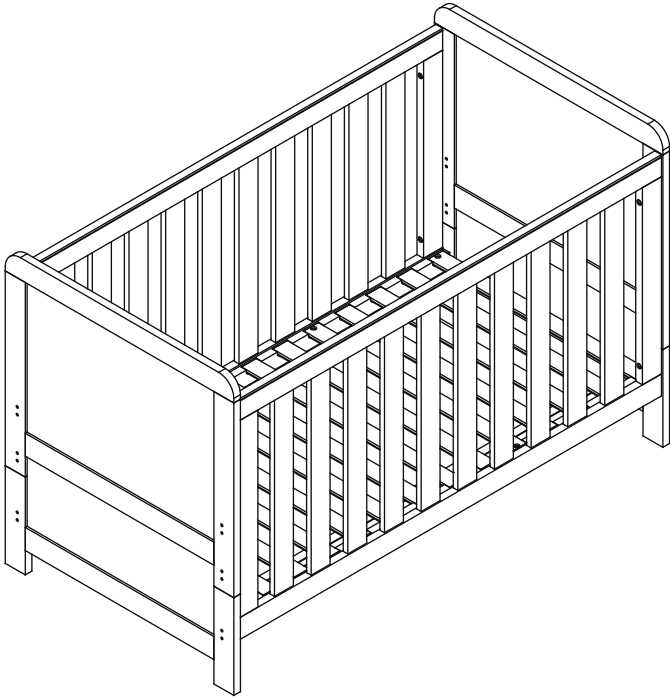
## Step 5

D - Bolts M6/75 x 4



# CONVERT TO BED

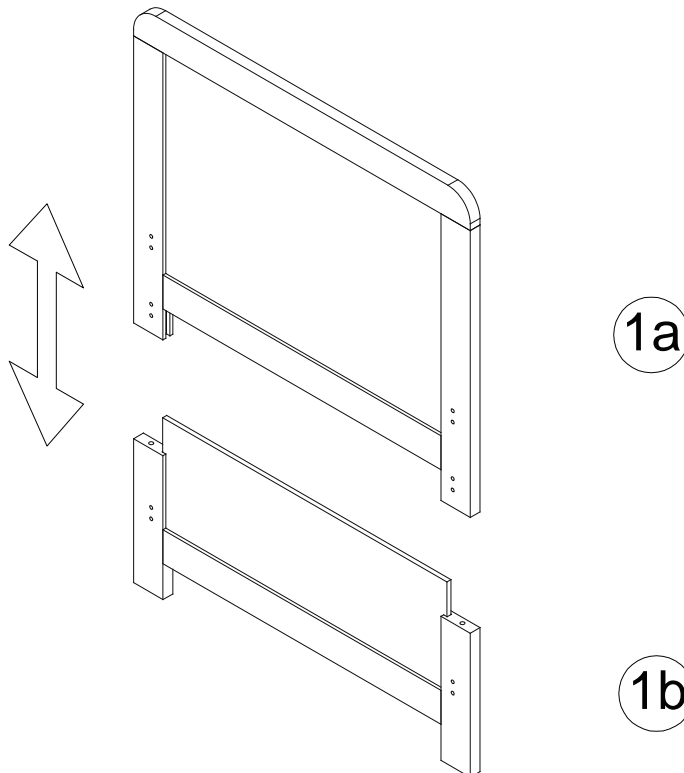
## Step 1



Change the cot to a bed as soon as your toddler shows any signs of attempting to climb out.

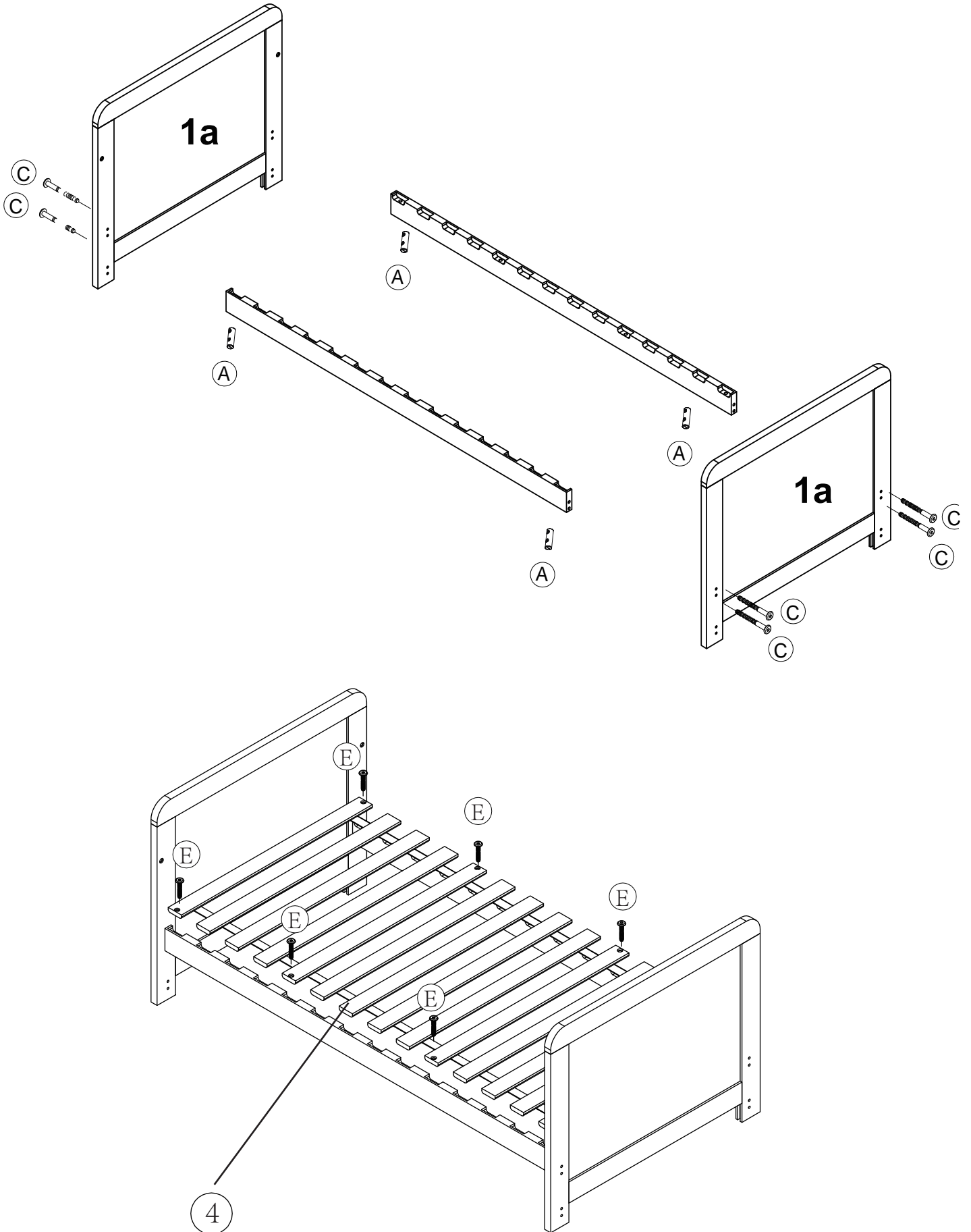
Reverse cot assembly

## Step 2



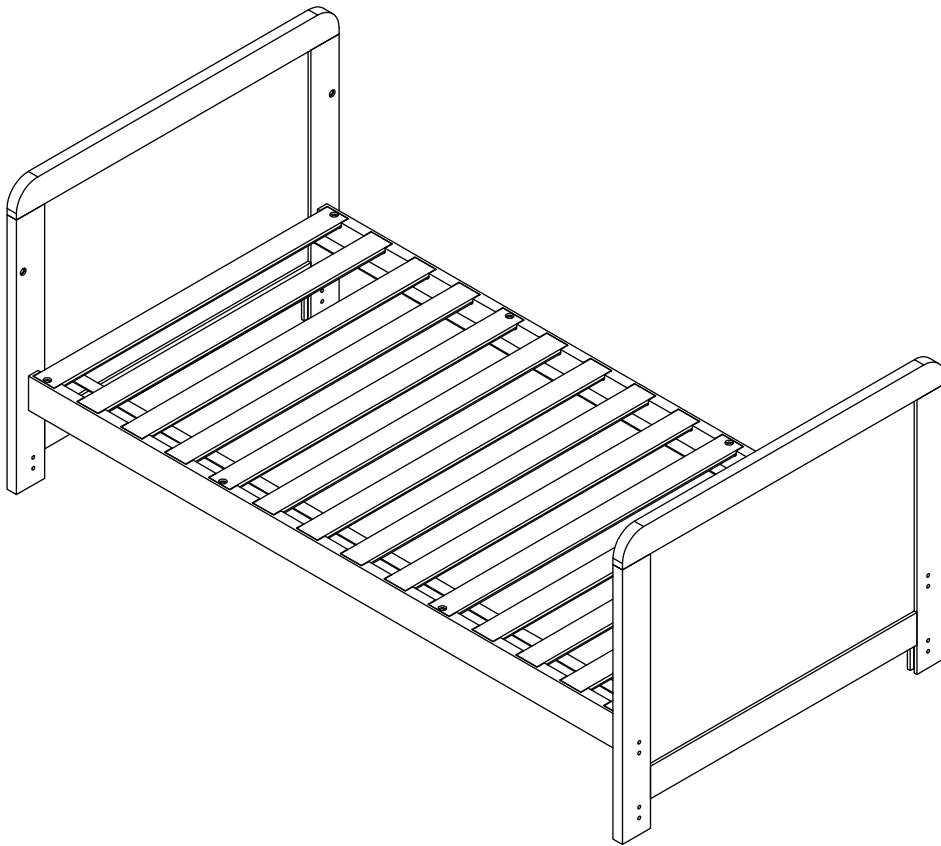
# CONVERT TO DAY BED

## Step3



# CONVERT TO BED

## Step 4



Due to constant updating and improvements, some components may occasionally differ slightly from the diagrams shown in these instructions.

We reserve the right to change the specifications of any piece of product without prior notice.

## **Care & Maintenance**

Any spare components should only be thrown away after you have fully constructed your product. After disassembly, it is important to retain all fixings and components should the product be returned to cot or bed mode in future.

To preserve the hand-crafted quality of Babymore furniture, we recommend using a cotton cloth and a non-toxic cleaner. Periodic use of furniture polish will maintain the good looks of your furniture. Scuff marks may be removed with a damp cloth.

## **Warranty**

All our products are produced from the finest quality materials and are manufactured under the strictest quality controls. We guarantee all our products or parts thereof against faulty manufacture for a period of 6 months from date of purchase. This guarantee is not effective against accidental damage or damage caused by incorrect use or neglect.

We will replace any missing parts at the time of purchase or any defective item within 6 months from the date of original purchase. Please keep your receipt so that we may process your warranty request. This warranty only covers new units with original packaging and ownership and is not transferable. It does not cover any used, second hand or demo models.

This warranty does not cover any damaged or defective parts that result from installation and assembly, normal wear and tear, abuse, negligence, improper use, incidental damages or alteration to the finish, design, and part or fitting of the cot. This in no way affects your statutory rights.

Each Babymore item is a unique piece, made of high-quality wood and material. Due to the handcrafted nature of our products and our use of solid woods, each piece is unique and may contain irregular qualities, there will occasionally be natural markings, miniscule burrs, or slight discolorations. These natural characteristics are inherent in wood and are not considered manufacturing defects. Because of this, the merchandise will be considered normal and of good quality and does not merit replacement.

Serial Number Location: label on the slat of mattress base.

Babymore. Unit C2 Zenith Industrial Estate, Paycocke Road, Basildon, Essex, SS14 3DW

T: +44 (0) 203 475 5588

E: [customerservices@babymore.co.uk](mailto:customerservices@babymore.co.uk)

[www.babymore.co.uk](http://www.babymore.co.uk)