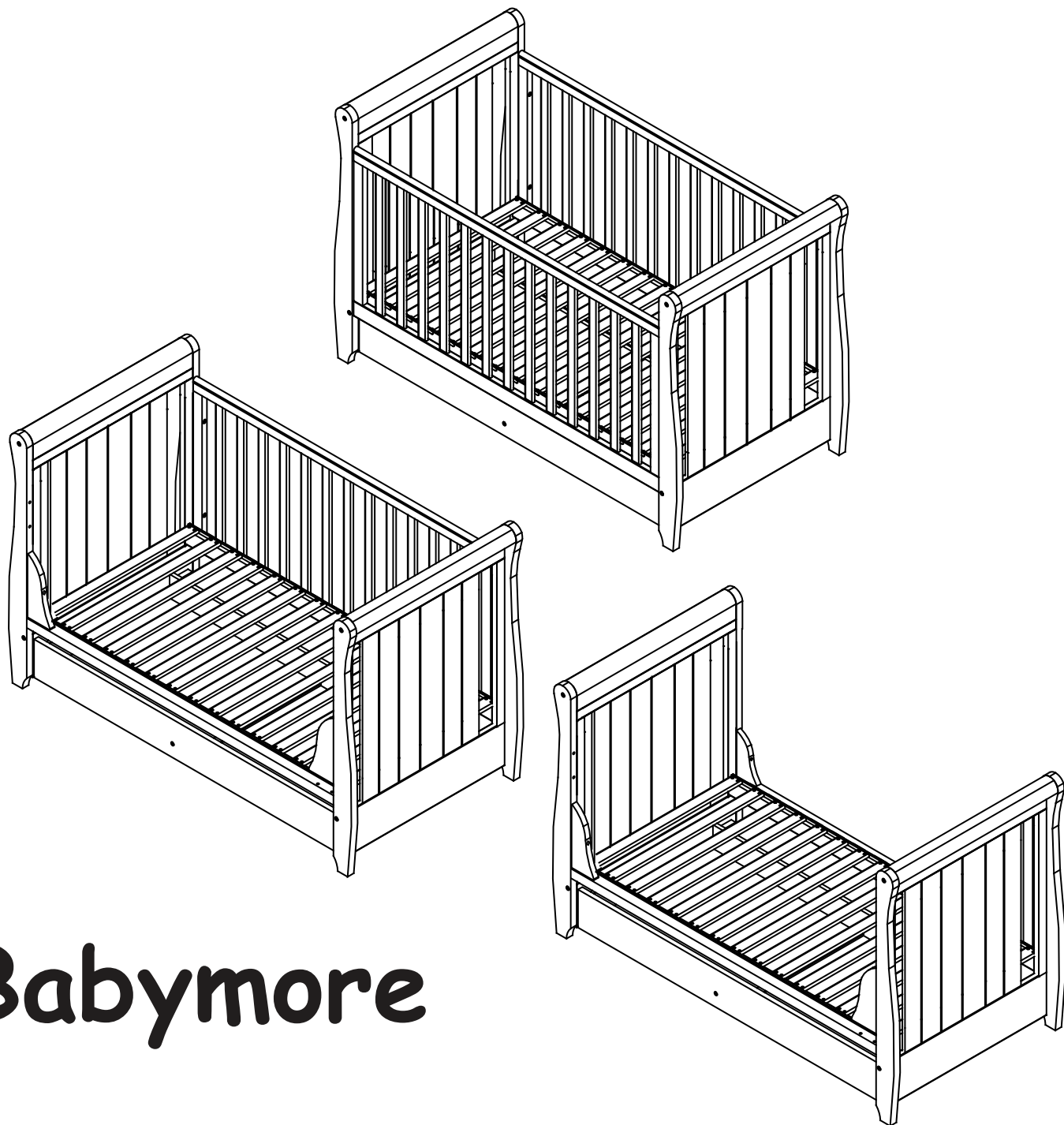


INSTRUCTIONS

STELLA COT / BED



Babymore



Animated Assembly Videos

YouTube - search "Babymore Stella"

Product Page - www.babymore.co.uk

IMPORTANT: READ CAREFULLY AND RETAIN FOR FUTURE REFERENCE

INSTRUCTIONS FOR SAFE USE

The correct use and maintenance of your cot/bed will ensure it gives long and trouble-free use. Please ensure everyone use your cot/bed know how to use it. The safety of your child is your responsibility.

- **WARNING:** Be aware of the risk of open fires and other sources of strong heat, such as electric bar fires, gas fires, etc. in the near vicinity of the cot.
- **WARNING:** Do not use the cot/bed if any part is broken, torn or missing and use only spare parts approved by Babymore.
- **WARNING:** Do not leave anything in the cot or place the cot close to another product which could provide a foothold or present a danger of suffocation or strangulation, e.g. strings, blind/curtain cords, etc.
- **WARNING:** Do not use more than one mattress in the cot.
- **WARNING:** When converted to a child's bed, do not place this bed near heat sources, windows and other furniture.
- The lowest base position is the safest. Once your child is old enough to sit up unaided the base should be used in the lowest position only.
- If you leave the child unattended in the cot, always make sure that the movable side is closed
- The thickness of the mattress chosen shall be such that the internal height (surface of the mattress to the upper edge of the cot frame) is at least 500mm in the lowest position of the bed base and at least 200mm in the highest position of the bed base.
- The line engraved on the cot end indicates the maximum thickness of a mattress that can be used with this cot when the bed base is in the top position.
- We recommend the use of a mattress minimum size of **70 cm by 140cm** for this cot. With a thickness not exceeding 10cm. The length and width of mattress shall be such that the gap between the mattress and the sides and ends does not exceed 30mm.
- Children are likely to play, bounce, jump and climb on beds, therefore the child's bed should not be placed too close to other furniture or windows, and should be placed either tight to any wall or have a gap of 300mm between the wall and the side of the bed.
- Please ensure that all assembly fittings always be tightened properly before use. And fittings should be checked regularly and tightened as necessary.
- The cot is only ready for use, when the locking mechanism(s) are engaged, check the mechanism(s) is fully engaged before use.
- Your cot/bed may be cleaned with a damp cloth. Never use bleach or harsh abrasives.
- To prevent injury from falls, once the child is able to climb out of the cot, the cot should no longer be used for that child.
- This cot bed is intended for children aged from birth to 4 years approximately.
- The cot conforms to EN 716-1/2:2008 + A1:2013. When converted to bed, it conforms to BS 8509:2008 + A1:2011.

Thank you for purchasing Babymore If you need assistance, spare parts or you are unhappy with the goods

Call: 020 3475 5588


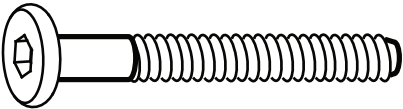
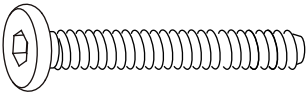
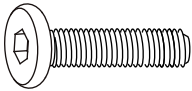
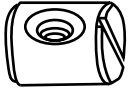

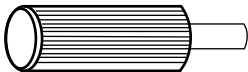
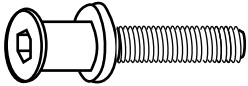

or email: customerservices@babymore.co.uk

Improper assembly can result in damage to your furniture or cause harm to your child. Proper assembly is critical to ensure a safe and comfortable end result. Please read all instructions before assembly and keep for future use

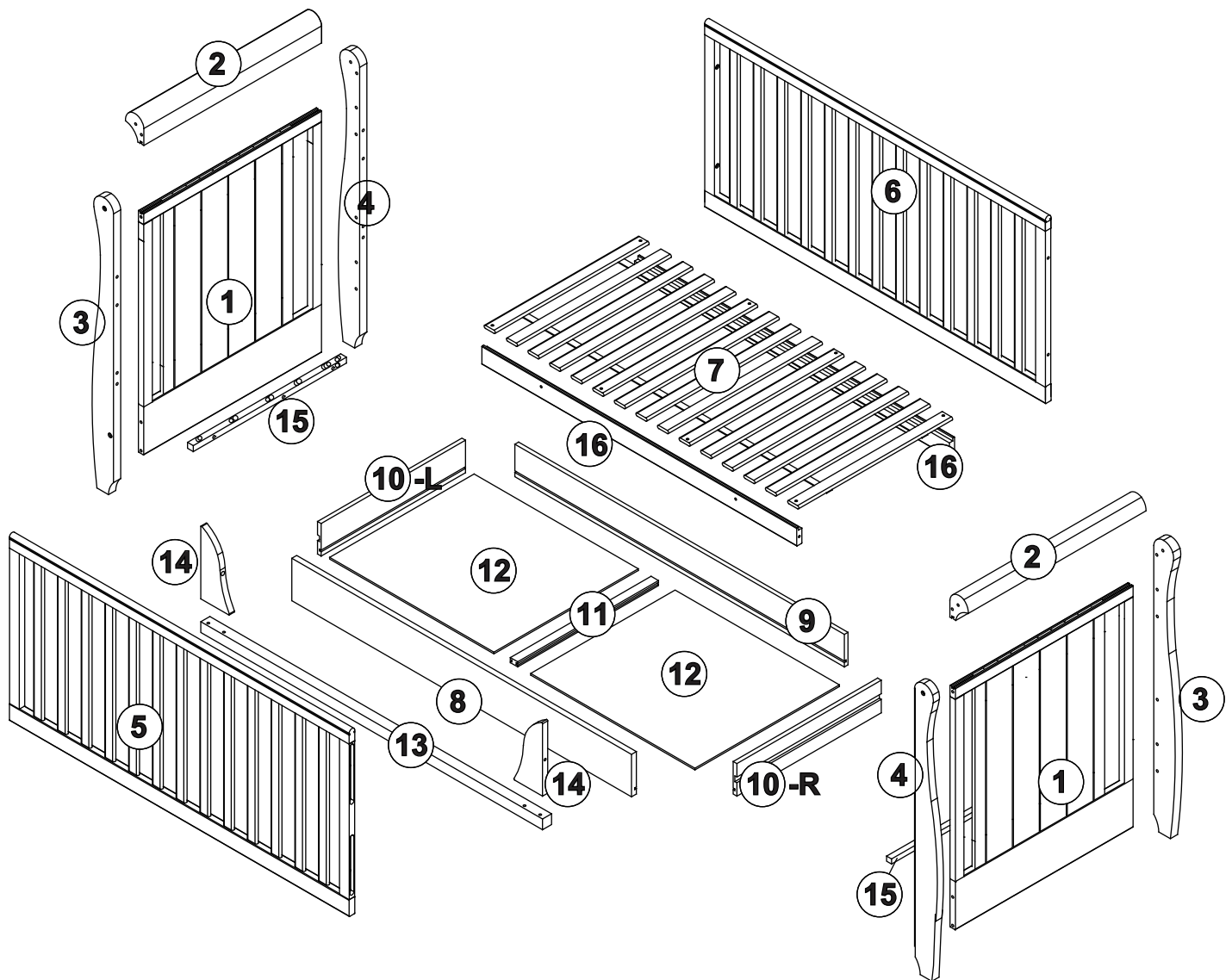
BEFORE ASSEMBLY

- Unpack all the parts and identify them against the components and fitting lists
- Do not discard any packaging until you are sure you have all the parts and fittings
- If you do find that any parts are missing or damaged or incorrect, contact customer services of above.
- Read the instructions thoroughly before attempt construct the cot/bed
- You may find the construction easier with help of another person, in the room for use, on a soft clean floor so there is no damage caused to the furniture during construction.
- Follow each stage of construction step-by-step

FITTINGS

Item	Description	Qty	Item	Description	Qty
A	Bolts-30mm	14	B	Bolts-55mm	28
					
C	Bolts-40mm	12	D	Bolts-25mm	8
					
E	Barrel Nuts	14	F	Wooden dowel-30mm	16
					
G	32mm	2	H	31mm	2
					
I	Allen key	1			
					

COMPONENTS

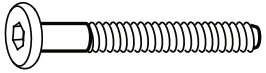


Item	Description	Qty	Item	Description	Qty
1	Cot End Panel	2	10-L	Drawer Left	1
2	Cot End Top	2	10-R	Drawer Right	1
3	Leg A	2	11	Drawer Centre Support	1
4	Leg B	2	12	Drawer Base	2
5	Drop side	1	13	Bed Convert Bar	2
6	Fixed side	1	14	Bed Side Support	4
7	Base Slat	1	15	Runner	2
8	Drawer Front	1	16	Base Support Bar	2
9	Drawer Back	1			

ASSEMBLING THE COT



A/ Bolts 30mm x 8



B/ Bolts 55mm x 2

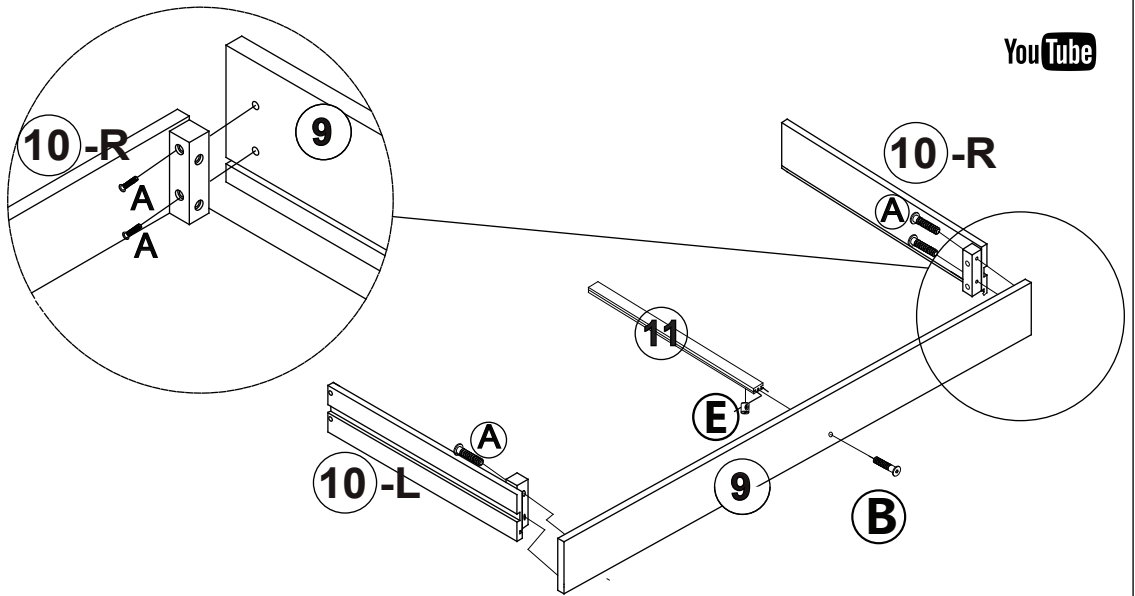


E/ Barrel Nuts x 2

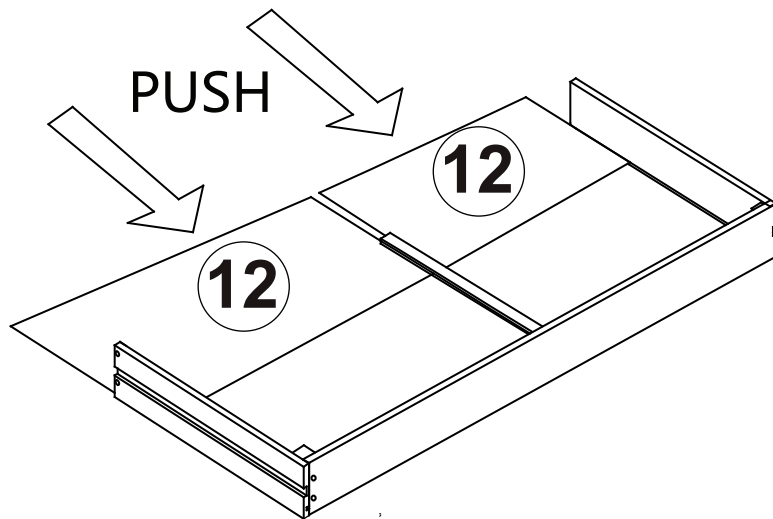
Step 1

Assembly of drawer as show, with (A) provided.

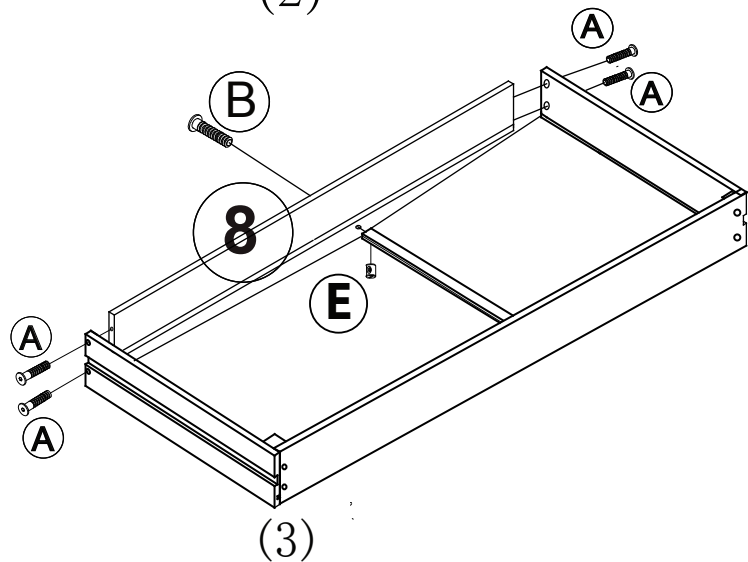
Ensure correct sides, left and right assembled for the operation of drawer.



(1)



(2)



(3)

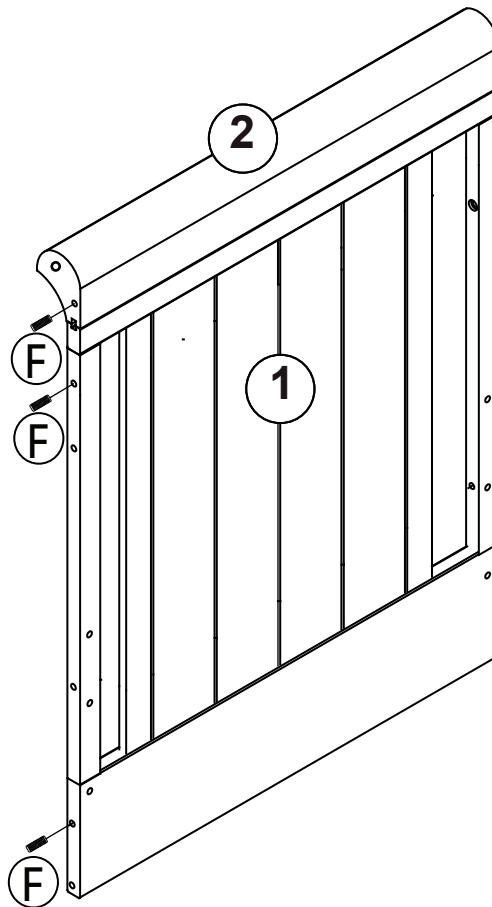
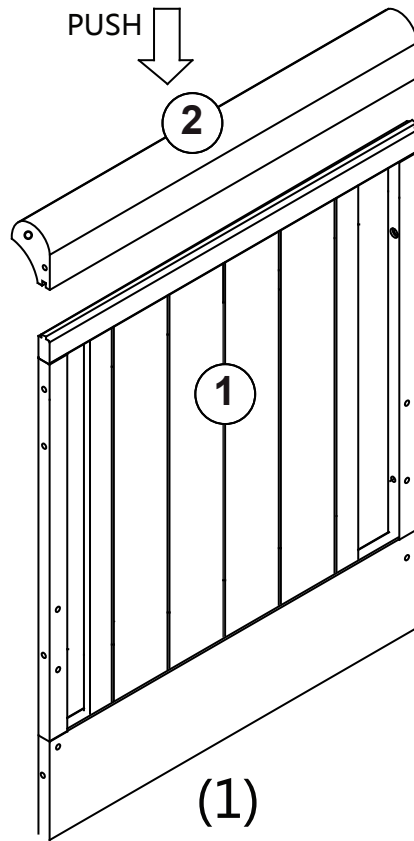


F/ Dowels 30mm x 3

Step 2 cot ends

As diagram show,
assemble both cot
end with part 1,2

Insert Wooden Dowels





B/ Bolts 55mm x 4



E/ Barrel Nuts x 1



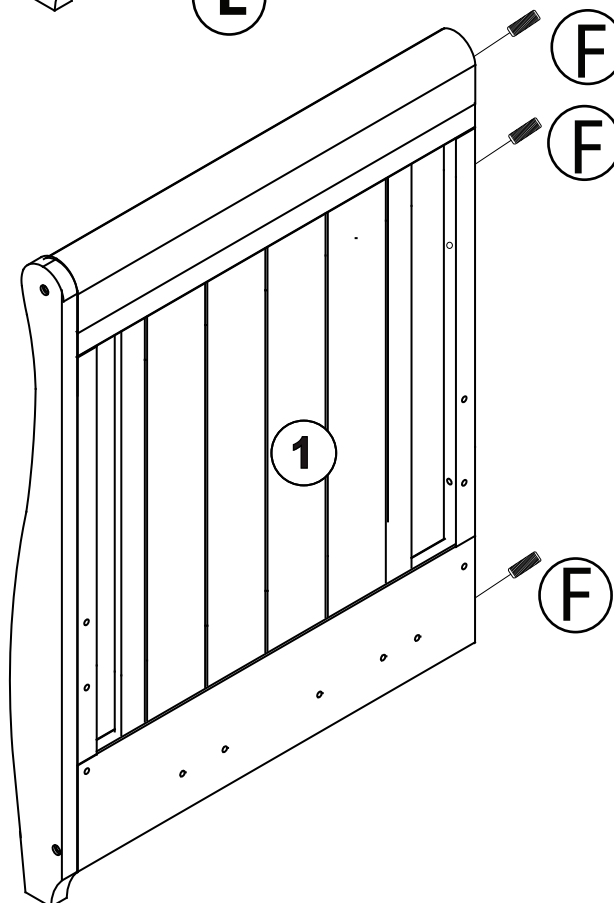
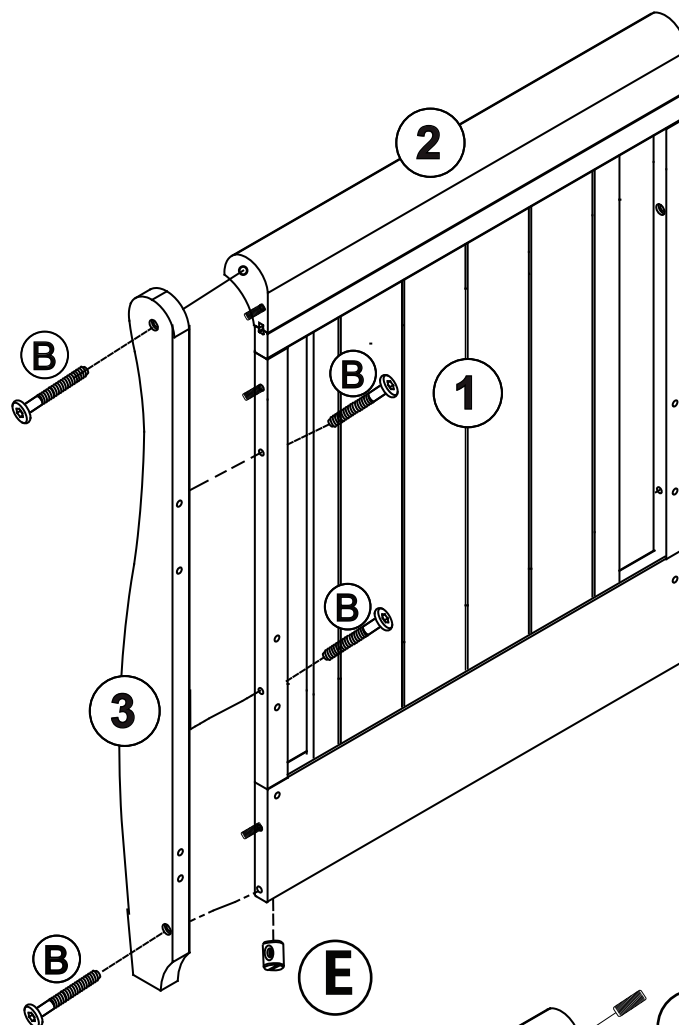
F/ Dowels 30mm x 3

Step 2 cot ends

As show,
use B bolts 55mm
to assembly cot
leg on to cot
ends.

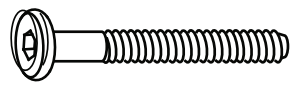
NOTE E - BARREL
NUT use at
bottom of cot end

Insert wooden
dowel at otherside
of cot end as
show on previous
step.





A/ Bolts 30mm x 3



B/ Bolts 55mm x 4



E/ Barrel Nuts x 1



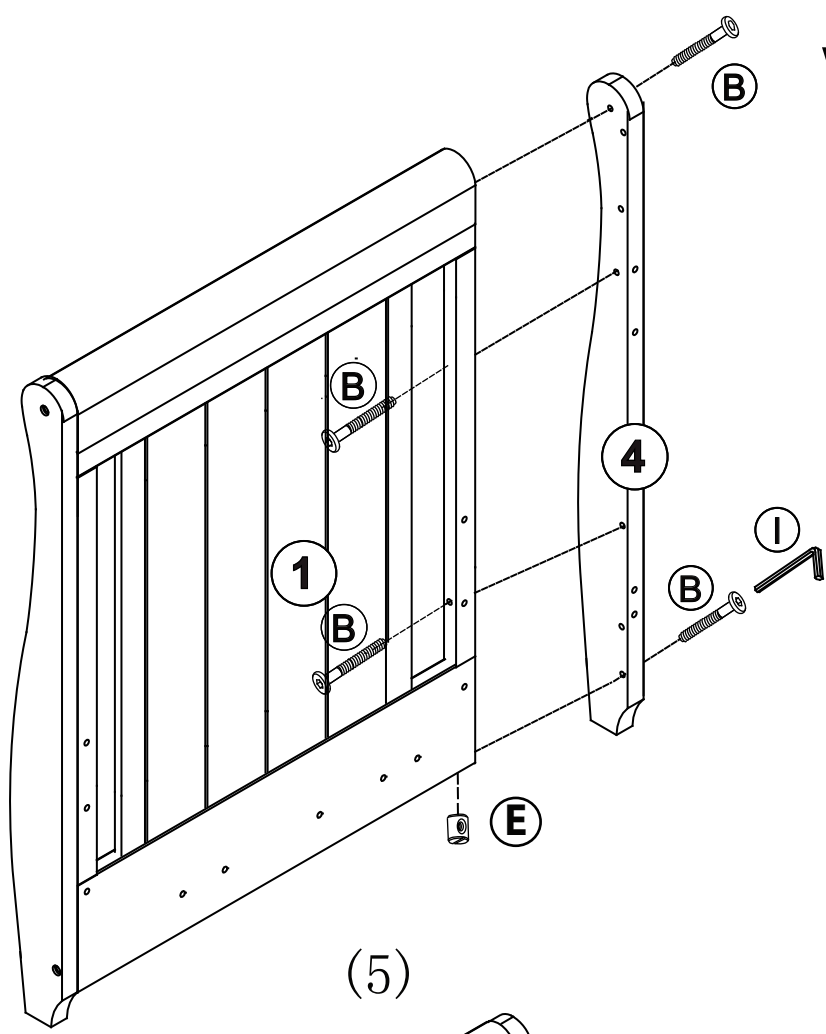
F/ Dowels 30mm x 2

Step 2 cot ends

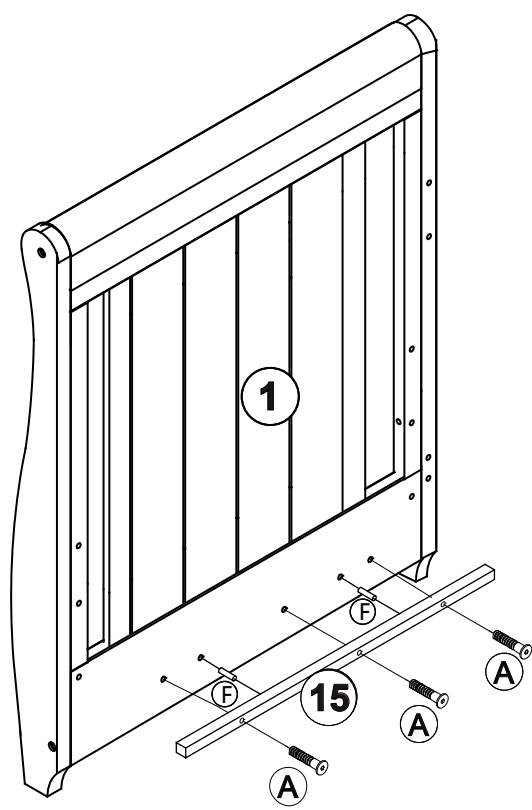
Assemble otherside of Leg with B bolts.

Attach runner (15) with 2 x Dowels and 3 x A bolts.

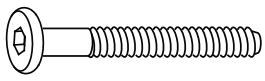
Repeat Step 2 of cot end assembly for both ends



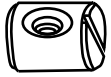
(5)



(6)



B/ Bolts 55mm x 4



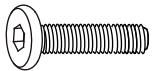
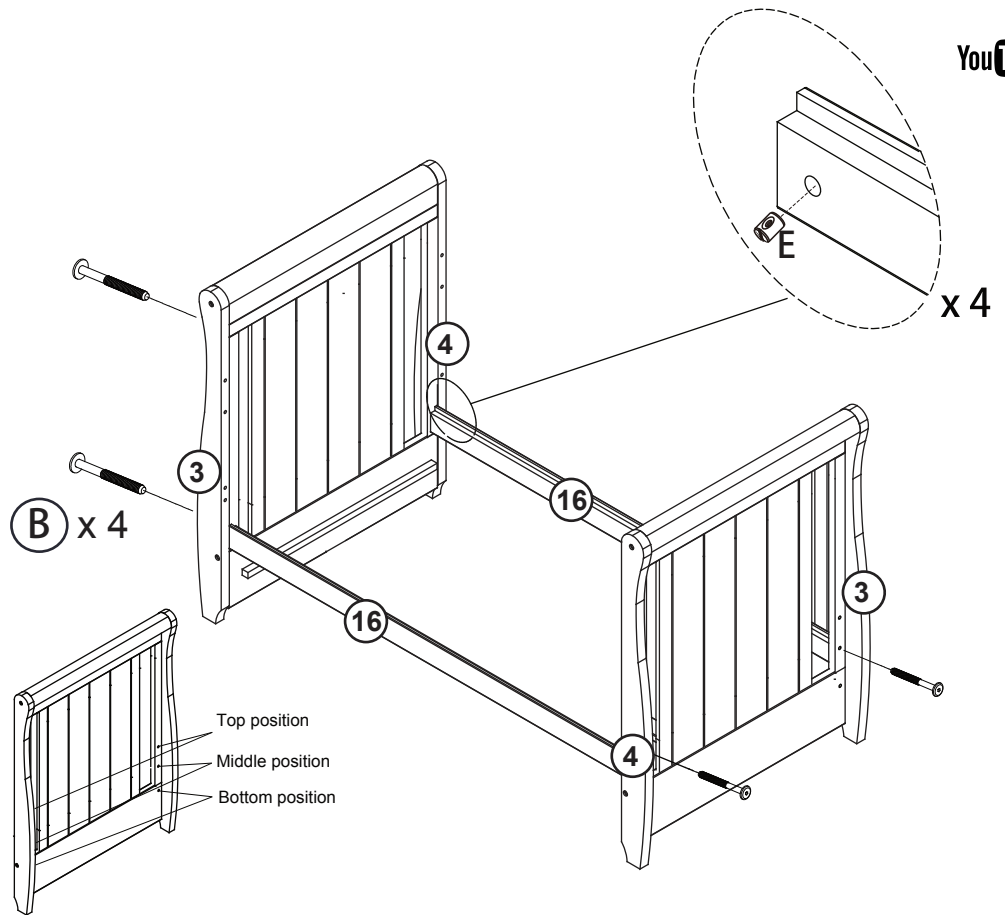
E / Bolts Nut x 4

Step 3

Choose 1 of 3 mattress base position, diagram show lowest position assembly, connect mattress base to the two end panels. (B) Bolts 55mm x 4 and (E) Barrel Nuts x4.

Ensure base label side upward

Leave bolts connections loosen until step 8.

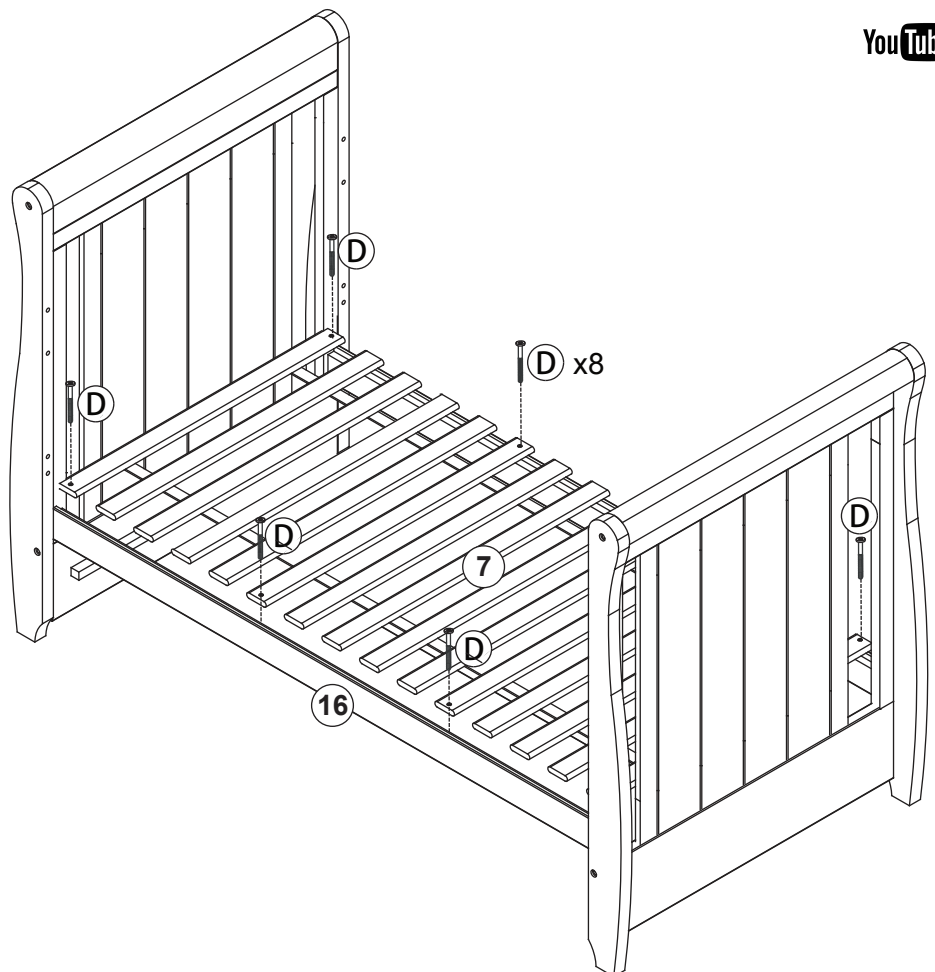


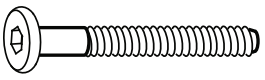
D/Bolts 25mm X 8

Step 4

Align and install base slat onto base support bars.

Use bolts (D) secure slat onto the support bar, as diagram show.





B / Bolts 55mm x 2



E / Bolts Nut x 2

Step 5 IMPORTANT

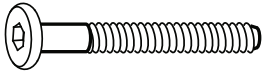
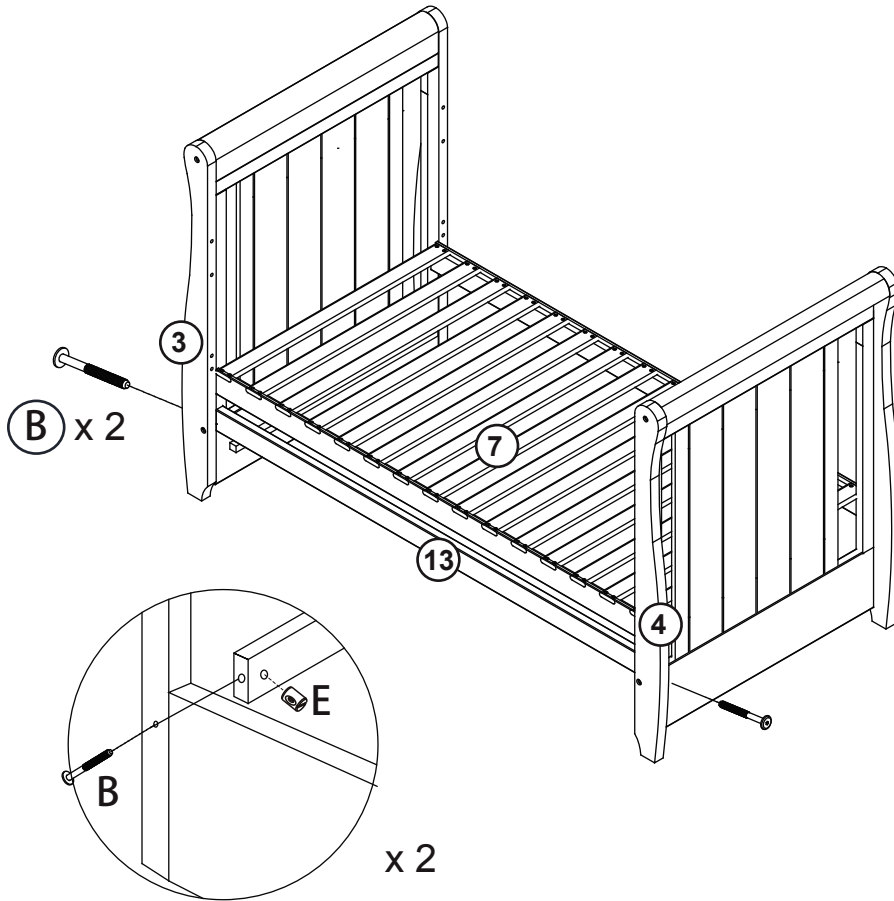
ONLY when choose top or middle mattress base position, add 1 x Bed conevert bar (13) onto front lowest hole position.

BEHIND DROP SIDE PANEL

It regulate operation of drop side and drawer function.

with 2 x (B) Bolts, 2 x (E) Barrel Nuts.

Leave bolts connections loosen until step 8.

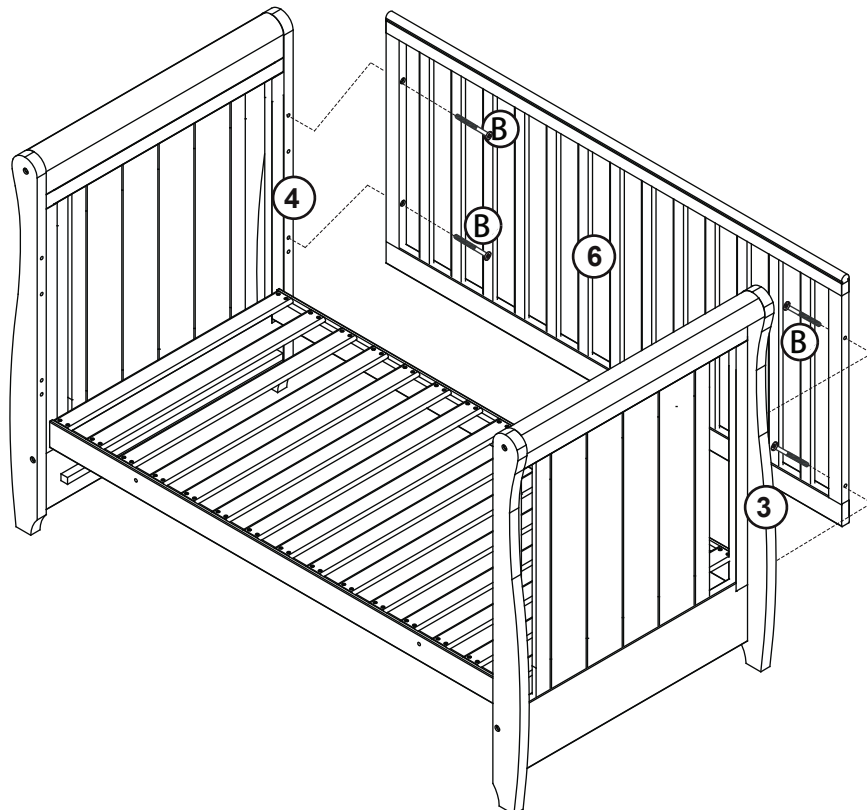


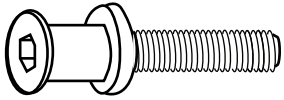
B / Bolts 55mm x 4

Step 6

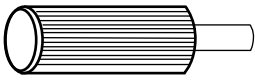
Connect fixed side (6) to end panels by passing (B) bolts through pre-drilled hole onto cot end.

Leave the bols connection loosen until step 8





H / 31mm x 2



G/32mm x 2

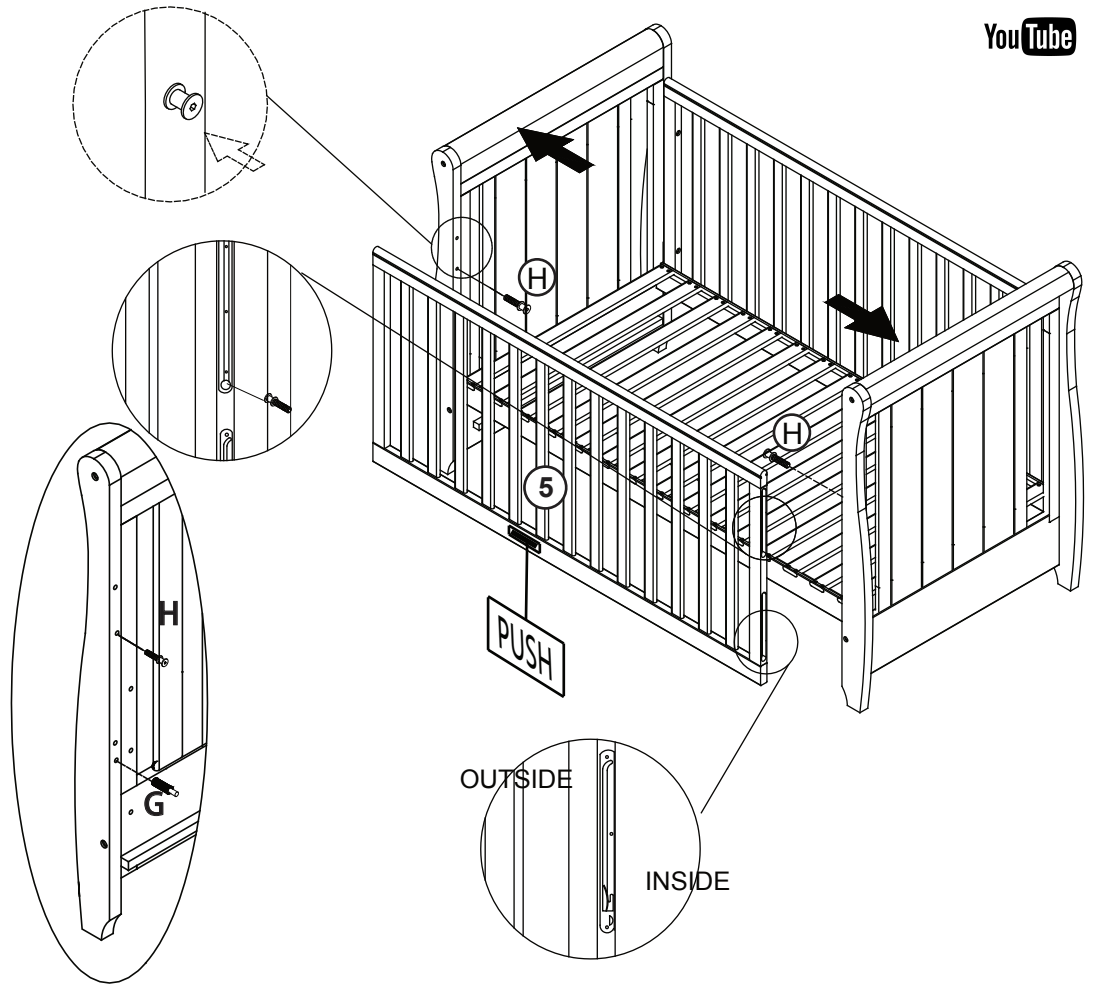
Step 7

Refer to magnified diagram; ensure correct way (outside/Inside) of dropside.

"PUSH" LABEL FACE OUTWARD.

Align and insert upper glide pins into top recess of dropside panel, push end panels outward for space.

It is best to have two persons to do both sides at same time.



NON

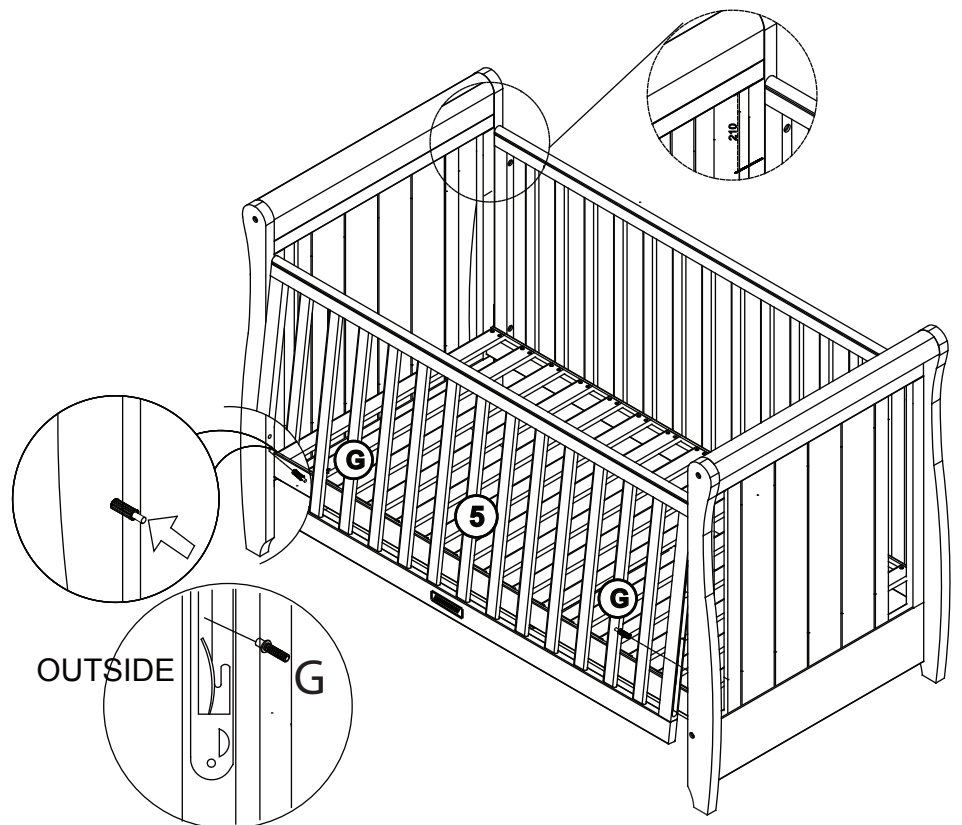
Maximum mattress height mark(210MM);
Top of mattress should be below this mark in all positions.

Step 8

Rotate the bottom edge of dropside, carefully align the lower recess with the lower pins of cot end, Push down pins to pass through and be inserted into the long groove of the plastic mechanism.

NOT UNDER SPRING - it will lock the pins without glide action.

FULL TIGHTEN ALL BOLTS CONNECTION.



NON



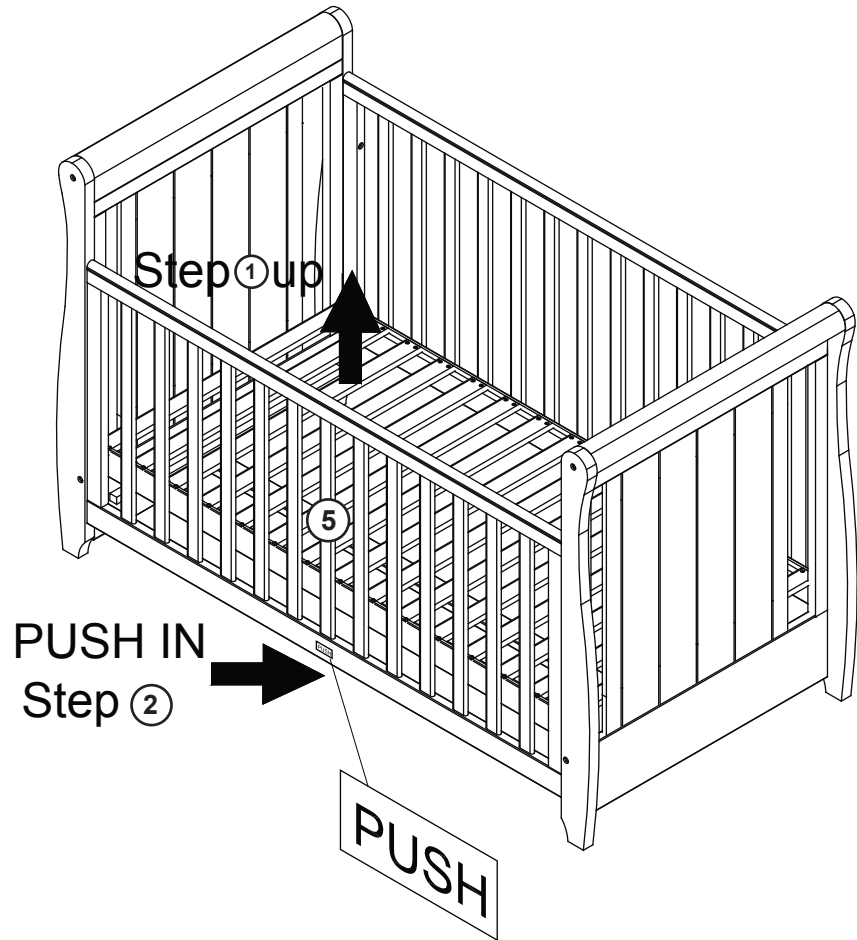
Step 9

LOWER or RAISE

Drop side Panel.

1. Lift up the drop side from middle top of panel.
2. Hold while push inward at bottom centre of panel, with your leg.
3. Allow the panel to glide down or pull up until it clicks into locking position

Always verify both ends of dropside are locked in the raised position whenever a child is in the cot.



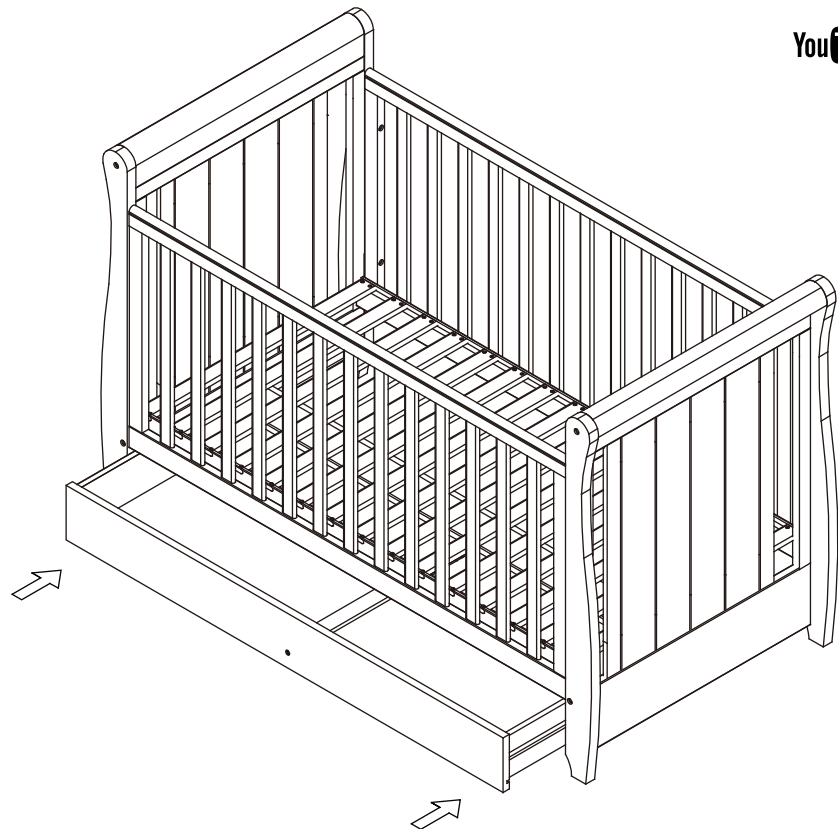
NON



Step 10

Slide drawer into drawer runners on side of each end panel of cot.

Note that front of drawer may obstruct the operation of dropside, the draw must be fully pushed in for drop side operation.



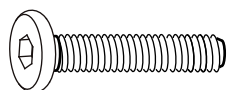
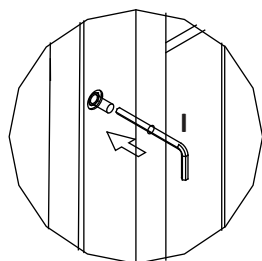
CONVERT TO DAY BED / BED



I / Allen Key

Step 1

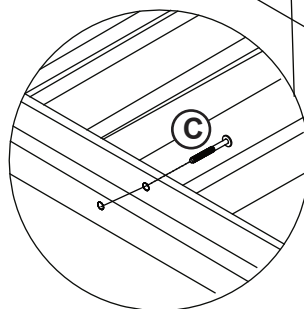
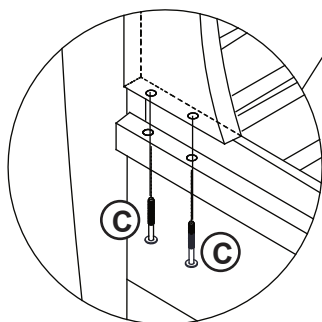
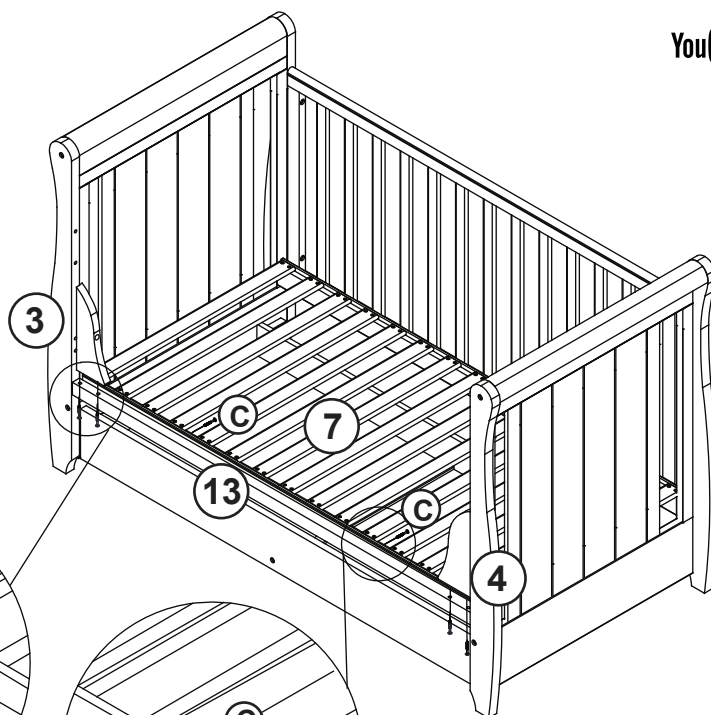
Remove the dropside, insert (I) Allen key through the holes of the dropside, push down lower pins of cot ends, to allow remove of dropside by reverse the assembly step 8 - 6.

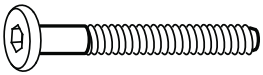


C / Bolts 40mm x 6

Step 2

Use Bolts C to attach side support(14) onto convert bar(13), and convert bar(13) onto mattress base support bar (7). as diagramn shows.



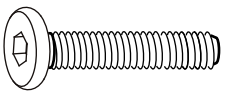
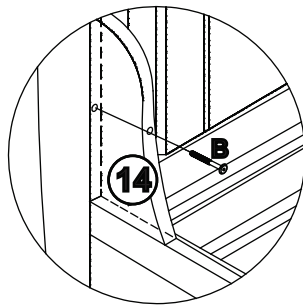
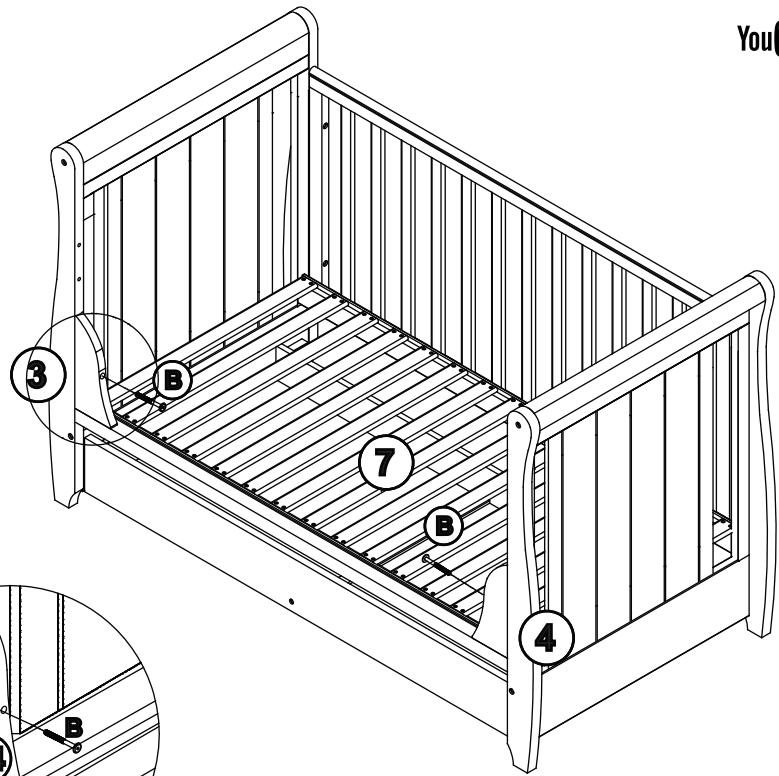


B / Bolts 55mm x 2

YouTube

Step 3

Use Bolts B attach side support panel onto bed end panels. Fully tighten all connections, Day Bed ready for use.



C / Bolts 40mm x 6

YouTube



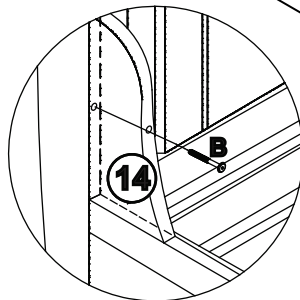
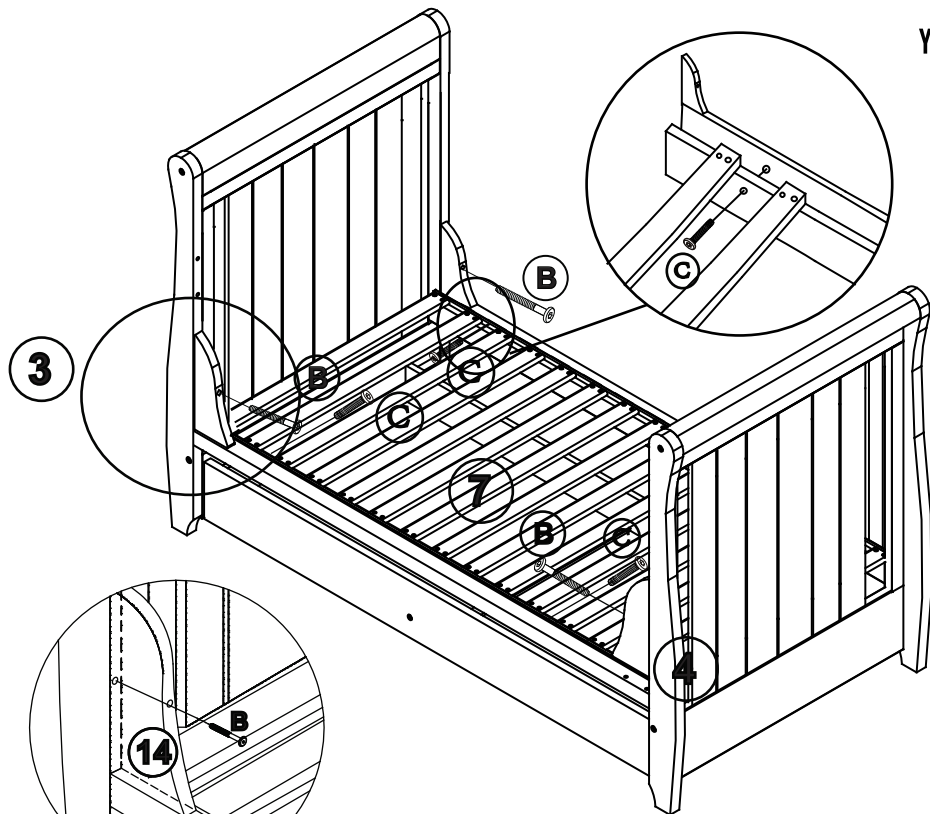
B / Bolts 55mm x 2

Step 4

Repeat step 2+3 at otherside of the bed.

Fully tighten all connections.

Bed ready for use.



Due to constant updating and improvements, some components may occasionally differ slightly from the diagrams shown in these instructions.

Any spare components should only be thrown away after you have fully constructed your product. After disassembly, it is important to retain all metal fixings and components should the product be returned to cot or bed mode in future.

We reserve the right to change the specifications of any piece of product without prior notice.

Care & Maintenance

To preserve the hand crafted quality of Babymore furniture, we recommend using a cotton cloth and a non-toxic cleaner. Periodic use of furniture polish will maintain the good looks of your furniture. Scuff marks may be removed with a damp cloth.

SIX MONTHS LIMITED WARRANTY

We will replace any missing parts at the time of purchase or any defective item within 6 months period from the date of original purchase. Please keep your receipt so that we may process your warranty request. This warranty only covers new units with original packaging and ownership, and is not transferable. It does not cover any used, second hand or demo models.

This warranty does not cover any damaged or defective parts that result from installation and assembly, normal wear and tear, abuse, negligence, improper use, incidental damages or alteration to the finish, design, and part or fitting of the cot. This in no way affects your statutory rights

Each Babymore item is a unique piece, made of high quality wood and material. Due to the handcrafted nature of our products and our use of solid woods, each piece is unique and may contain irregular qualities, there will occasionally be natural markings, miniscule burrs, or slight discolorations. These natural characteristics are inherent in wood and are not considered manufacturing defects. Because of this, the merchandise will be considered normal and of good quality and do not merit replacement.

Thank you for purchasing Babymore If you need assistance, spare parts or you are unhappy with the goods Call customer services on: 020 3475 5588.
Or email us at customerservices@babymore.co.uk

Serial Number location: label attached onto slat of mattress base.

