

INSTRUCTIONS

EVA COT/ BED



Babymore



Animated Assembly Video

YouTube - search "Babymore Eva Cot Assembly"

Product Page - www.babymore.co.uk

IMPORTANT: READ CAREFULLY AND RETAIN FOR FUTURE REFERENCE

INSTRUCTIONS FOR SAFE USE

The correct use and maintenance of your cot/bed will ensure it gives long and trouble-free use. Please ensure everyone use your cot/bed know how to use it. The safety of your child is your responsibility.

- **WARNING:** Be aware of the risk of open fires and other sources of strong heat, such as electric bar fires, gas fires, etc. in the near vicinity of the cot.
- **WARNING:** Do not use the cot/bed if any part is broken, torn or missing and use only spare parts approved by Babymore.
- **WARNING:** Do not leave anything in the cot or place the cot close to another product which could provide a foothold or present a danger of suffocation or strangulation, e.g. strings, blind/curtain cords, etc.
- **WARNING:** Do not use more than one mattress in the cot.
- **WARNING:** When converted to a child's bed, do not place this bed near heat sources, windows and other furniture.
- The lowest base position is the safest. Once your child is old enough to sit up unaided the base should be used in the lowest position only.
- If you leave the child unattended in the cot, always make sure that the movable side is closed
- The thickness of the mattress chosen shall be such that the internal height (surface of the mattress to the upper edge of the cot frame) is at least 500mm in the lowest position of the bed base and at least 200mm in the highest position of the bed base.
- The line engraved on the cot end indicates the maximum thickness of a mattress that can be used with this cot when the bed base is in the top position.
- We recommend the use of a mattress minimum size of 60cm by 120cm for this cot. With a thickness not exceeding 10cm. The length and width of mattress shall be such that the gap between the mattress and the sides and ends does not exceed 30mm.
- Children are likely to play, bounce, jump and climb on beds, therefore the child's bed should not be placed too close to other furniture or windows, and should be placed either tight to any wall or have a gap of 300mm between the wall and the side of the bed.
- Please ensure that all assembly fittings always be tightened properly before use. And fittings should be checked regularly and tightened as necessary.
- The cot is only ready for use, when the locking mechanism(s) are engaged, check the mechanism(s) is fully engaged before use.
- Your cot/bed may be cleaned with a damp cloth. Never use bleach or harsh abrasives.
- To prevent injury from falls, once the child is able to climb out of the cot, the cot should no longer be used for that child.
- This cot bed is intended for children aged from 18 months to 4 years approximately.
- The cot conforms to EN 716-1:2008 + A1:2013. When converted to bed, it conforms to BS 8509:2008 + A1:2011.

Thank you for purchasing Babymore If you need assistance, spare parts or you are unhappy with the goods

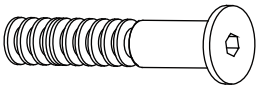
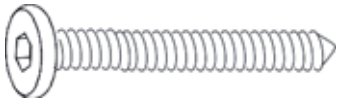
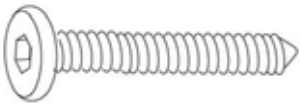
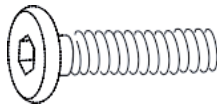
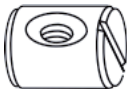


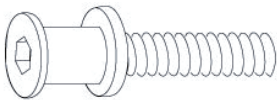
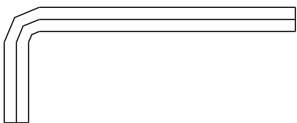
Call : **020 3475 5588** Or email us at **customerservices@babymore.co.uk**

Improper assembly can result in damage to your furniture or cause harm to your child. Proper assembly is critical to ensure a safe and comfortable end result. Please read all instructions before assembly and keep for future use.

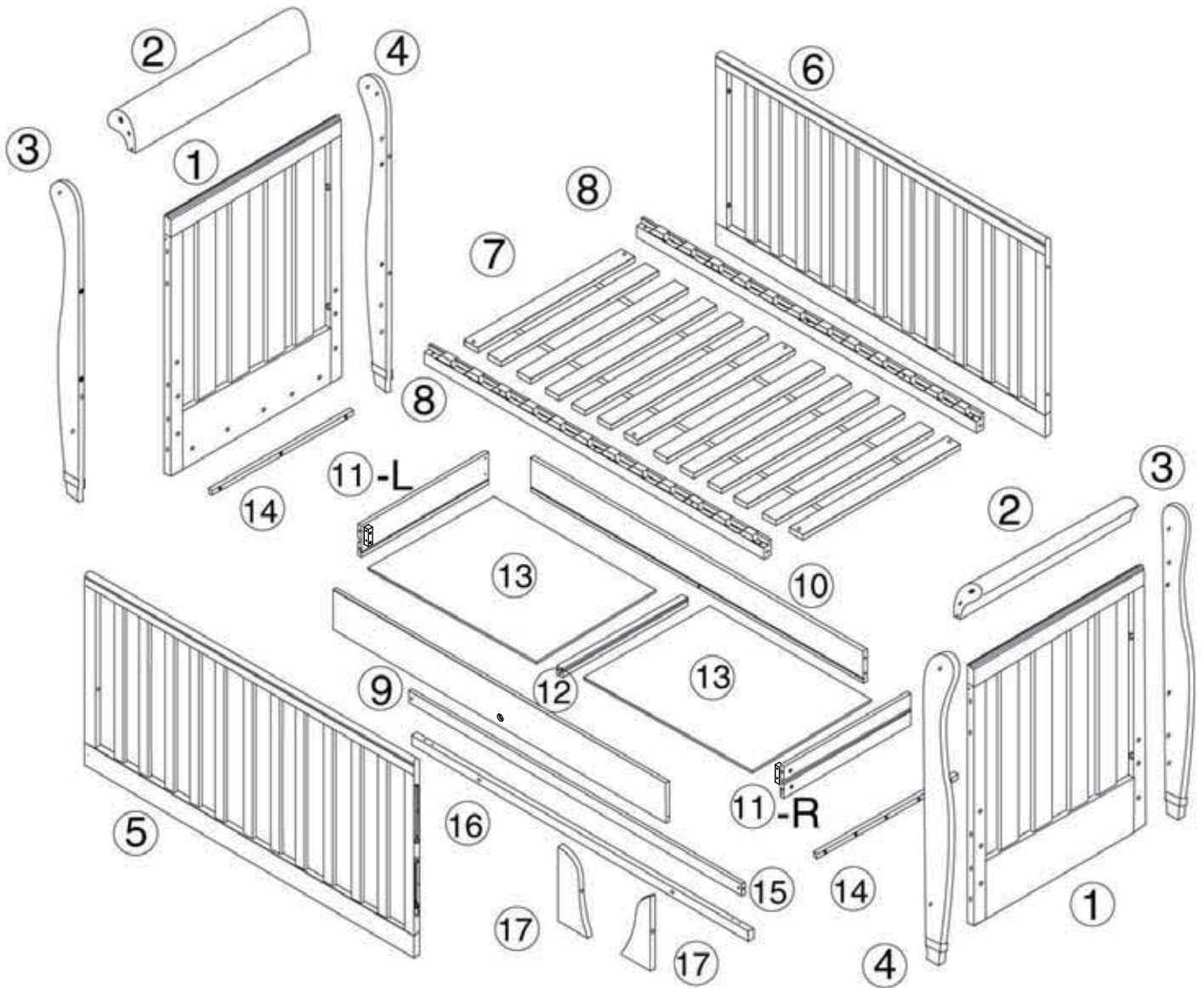
BEFORE ASSEMBLY

- Unpack all the parts and identify them against the components and fittings lists
- Do not discard any packaging until you are sure you have all the parts and the pack of fittings
- If you do find that any parts are missing or damaged or incorrect, contact customer services of above.
- Read the instructions thoroughly before attempt construct the cot/bed
- You may find the construction easier with help of another person, in the room for use, on a soft clean floor so there is no damage caused to the furniture during construction.
- Follow each stage of construction step-by-step

FITTINGS

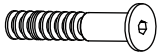
Item	Description	Qty	Item	Description	Qty
A	Bolts-30mm	14	B	Bolts-55mm	28
					
C	Bolts-40mm	6	D	Bolts-25mm	6
					
E	Barrel Nuts	8	F	Wooden dowel-30mm	16
					
G	Lower Pin 32mm	2	H	Upper Pin 31mm	2
					
I	Allen key	1			
					

COMPONENTS

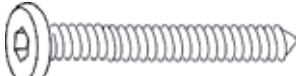


Item	Description	Qty	Item	Description	Qty
1	Cot End Panel	2	10	Drawer Back	1
2	Cot End Top	2	11-L	Drawer Left	1
3	Leg A	2	11-R	Drawer Right	1
4	Leg B	2	12	Drawer Centre Support	1
5	Drop side	1	13	Drawer Base	2
6	Fixed side	1	14	Drawer Runner	2
7	Base Slat	1	15	Stabilizer Bar	1
8	Base Support Bar	2	16	Bed Convert Bar	1
9	Drawer Front	1	17	Bed Side Support	2

ASSEMBLING THE COT



A/ Bolts 30mm x 8



B / Bolts 55mm x 2



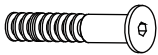
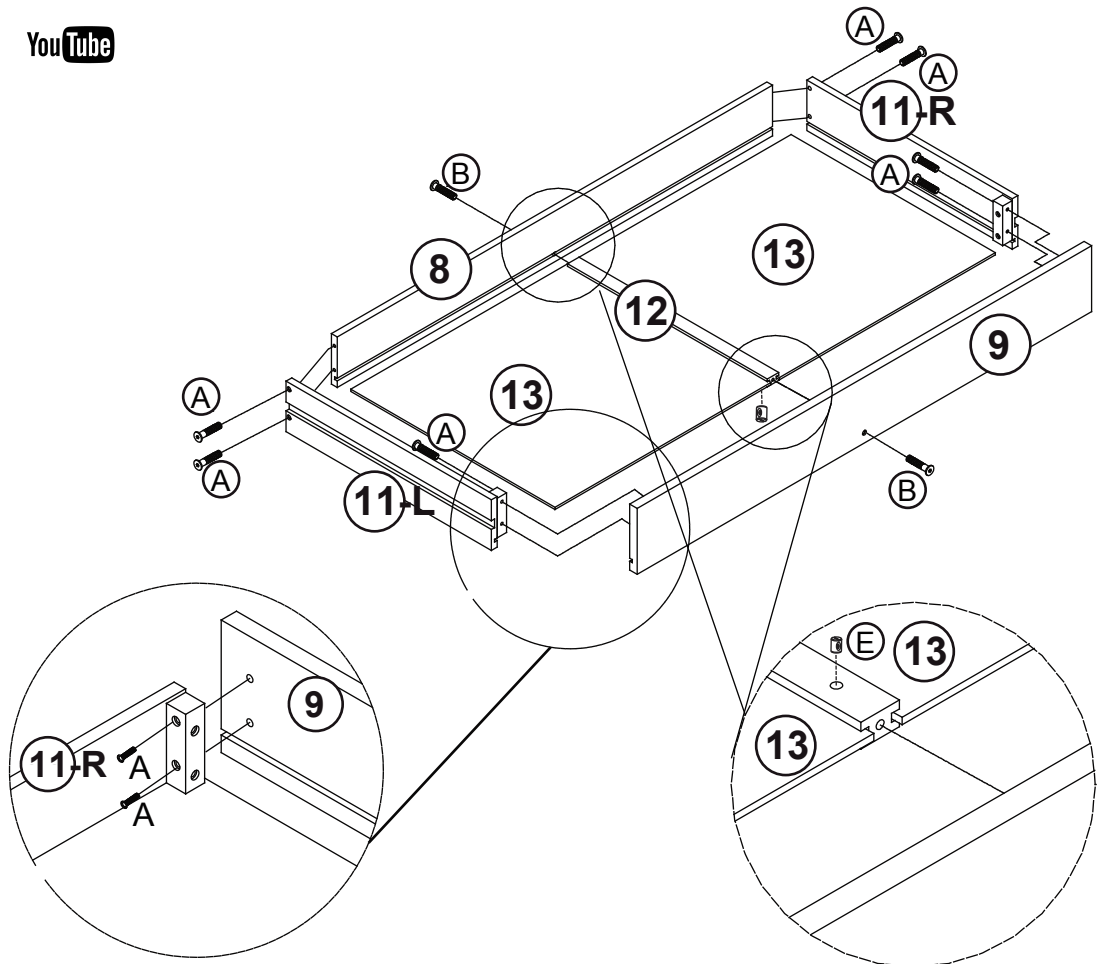
E/ Bolts Nut x 2

Step1

Assembly of drawer
asshow, with (A,B,E)
provided.

Note: B & E used for
assembly of center
support.

YouTube



A/ Bolts 30mm x 6



F / Dowels 30mm x 16



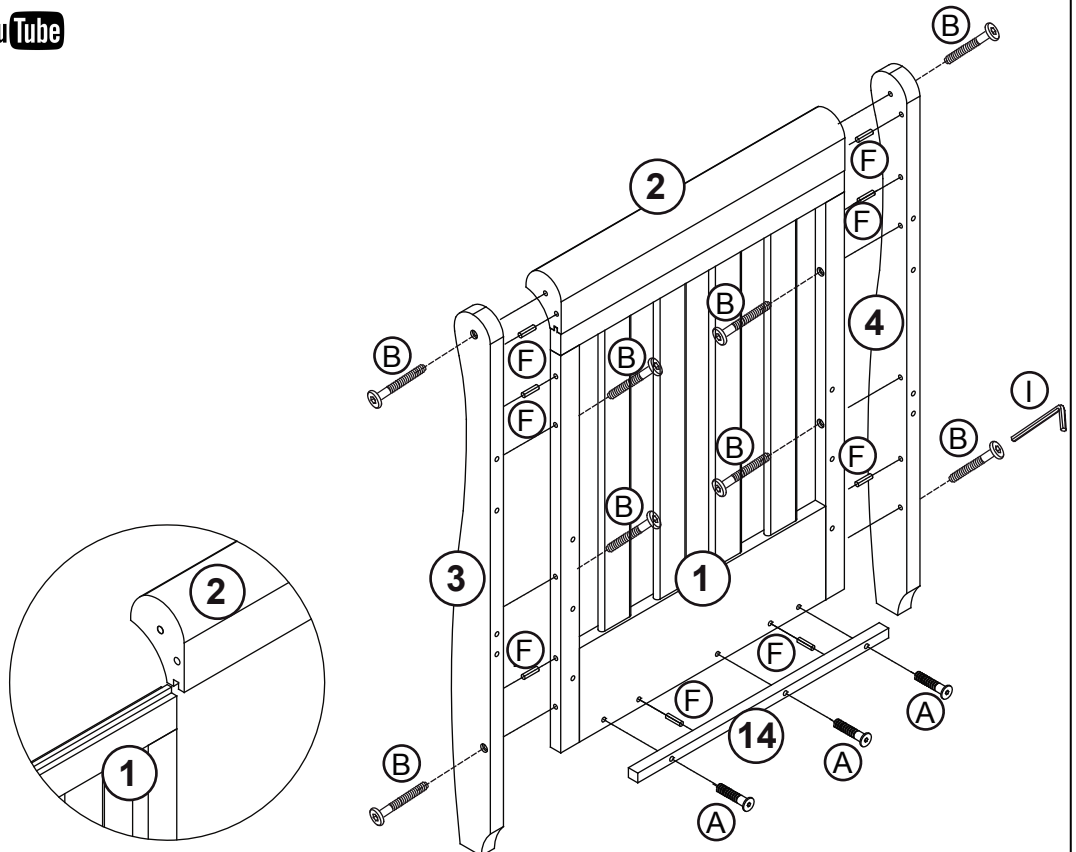
B / Bolts 55mm x 16

Step2

As diagram show,
assemble both cot
ends with part
1,2,3,4. Connect
with Dowel(F) and
Bolt(B).

Bolts(A)and Dowel
(F) to attach runners
onto cot ends.

YouTube





B / Bolts 55mm x 4



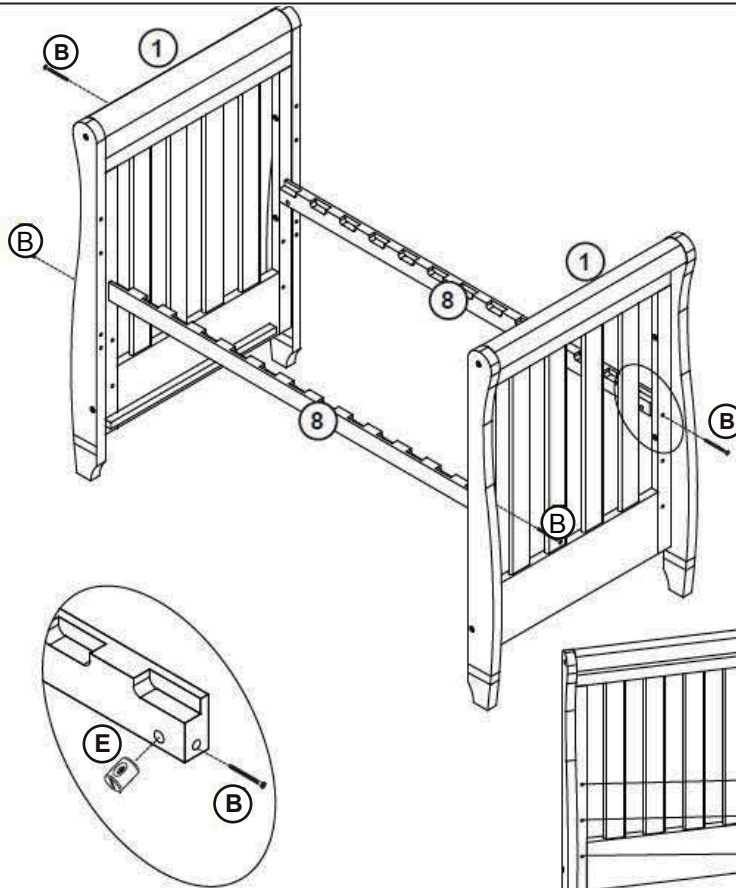
E/ Bolts Nut x 4

Step 3

Choose 1 of 3 mattress base position as show.

Main diagram show base support bars install onto the two end panels. Use above fittings.

Leave bolts connections loosen until complete step 8.



Top position
Middle position
Bottom position



B / Bolts 55mm x 2

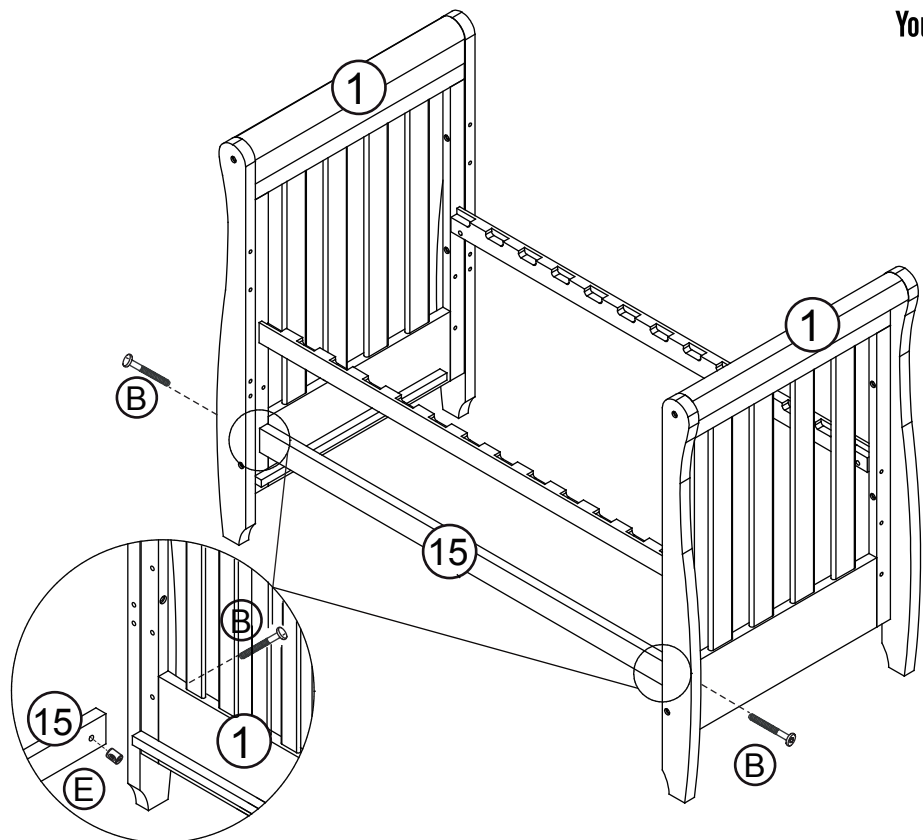


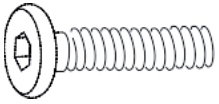
E/ Bolts Nut x 2

Step 4

When choose top or middle base height position, install stabilizer bar (15) onto front lowest hole position (next to dropside rail) it ensure smooth operation of dropside. Not required when choose to use bottom base position

Leave the bolts connections loosen until step 8.



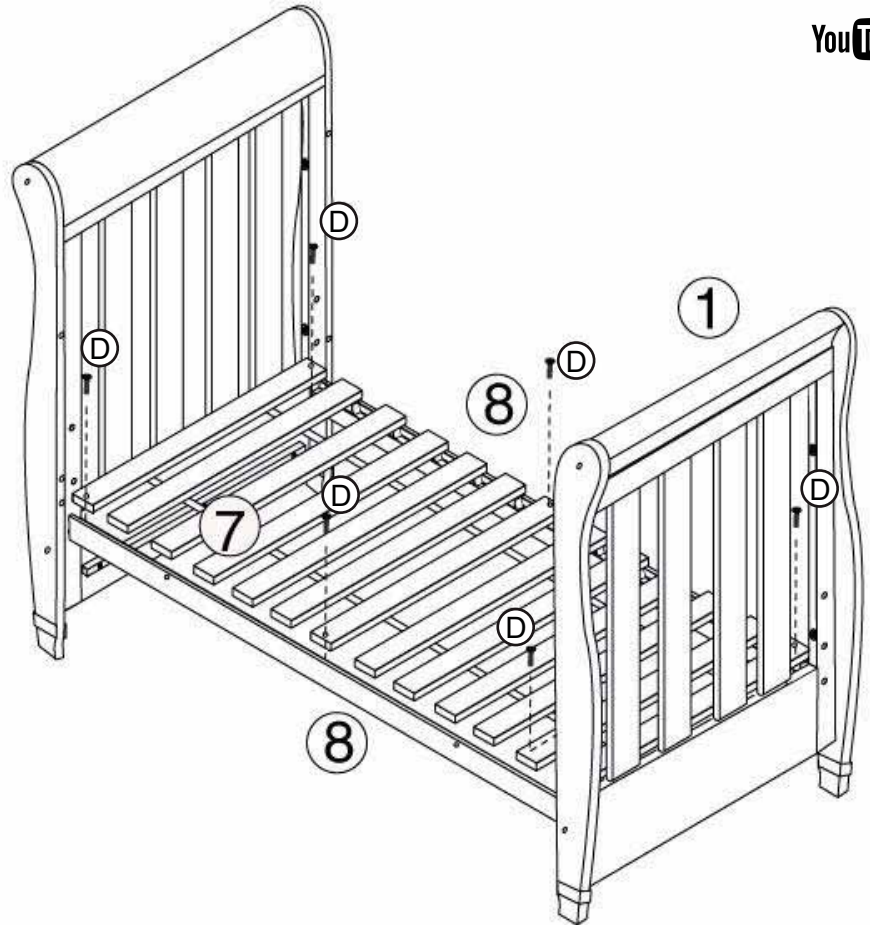


D/ Bolts 25mm x 6

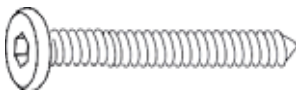
Step5

Align and install base slat onto base support bars. Use bolts (D) to secure slat onto the support bar, as diagram shows.

1



YouTube



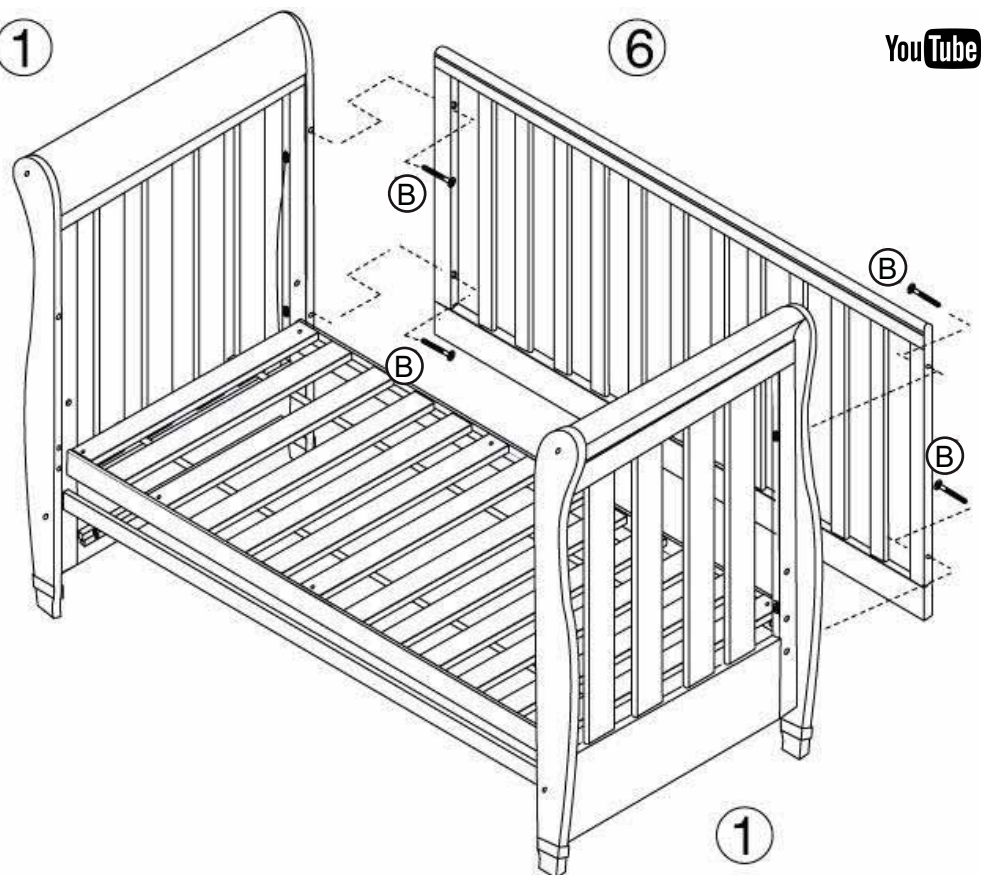
B / Bolts 55mm x 4

Step6

Connect fixed side (6) to end panels by passing (B) bolts through pre-drilled hole onto cot end.

Leave the bolts connections loosen until step 8.

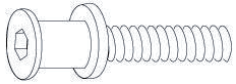
1



YouTube



G/ low pin x2



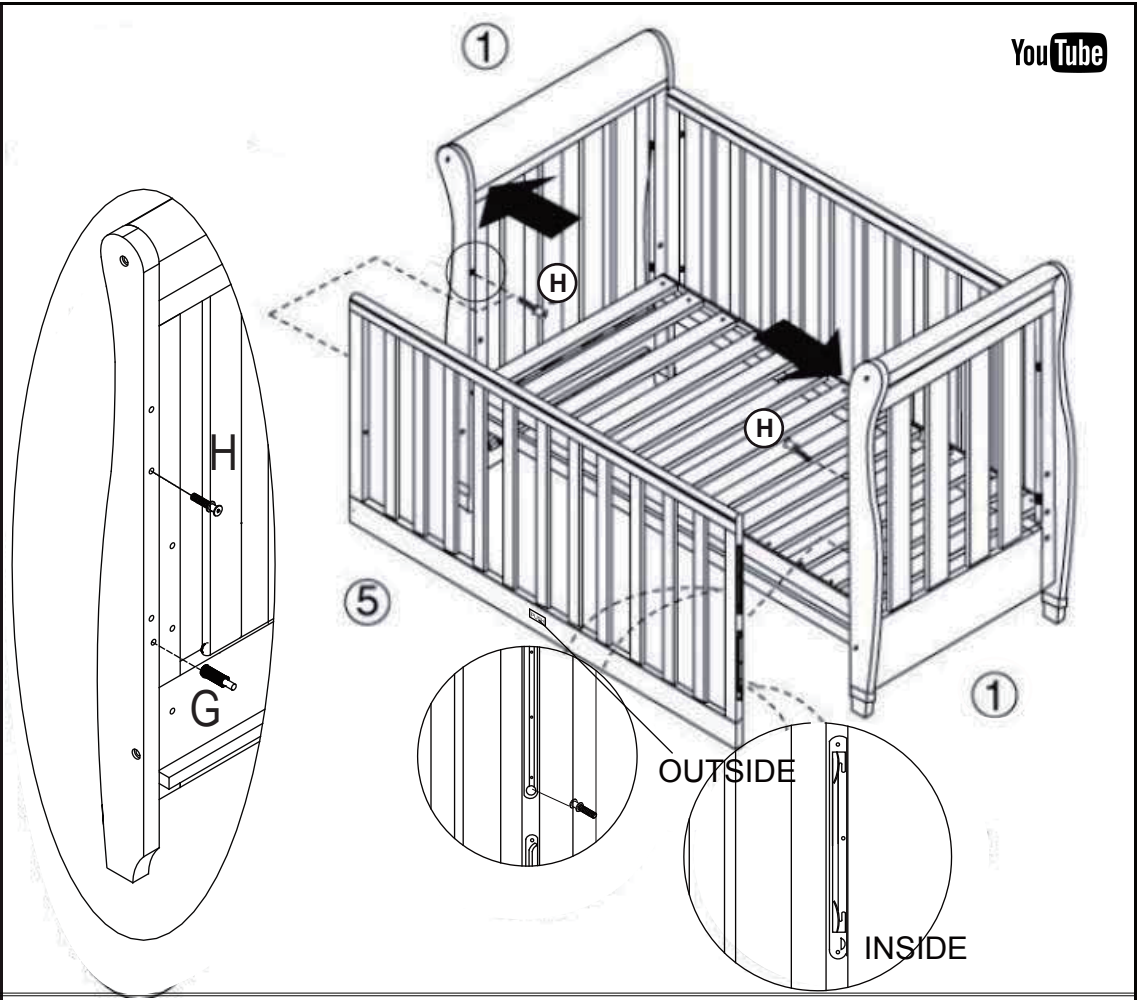
H/ top pin x2

Step7

Refer to the magnified diagram, fully attach top pin (H) and insert low pin (G) onto the bed ends.

IMPORTANT:
Ensure correct way (Outside/Inside) of Dropside Panel.

Align and insert top glide pin into top recess of dropside panel, if required, push top of end panels outward to allow space.



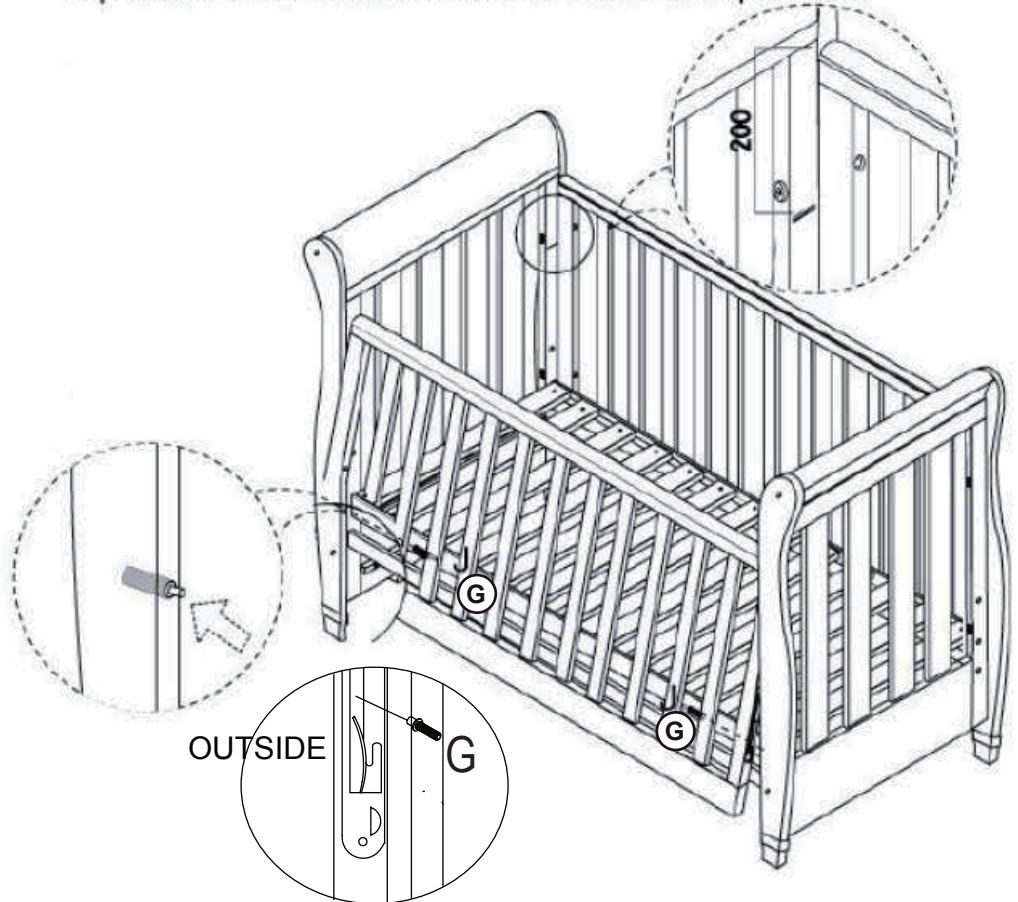
NON

Step8

Rotate the bottom of dropside panel, carefully align the lower recess with the lower pins of cot end. Push down top of lower pins with your finger, allow it insert into the long groove of plastic lower tracks.

Fully tighten all the connecting bolts.

Maximum mattress height mark (200MM):
Top of mattress should be below this mark in all positions.



NON

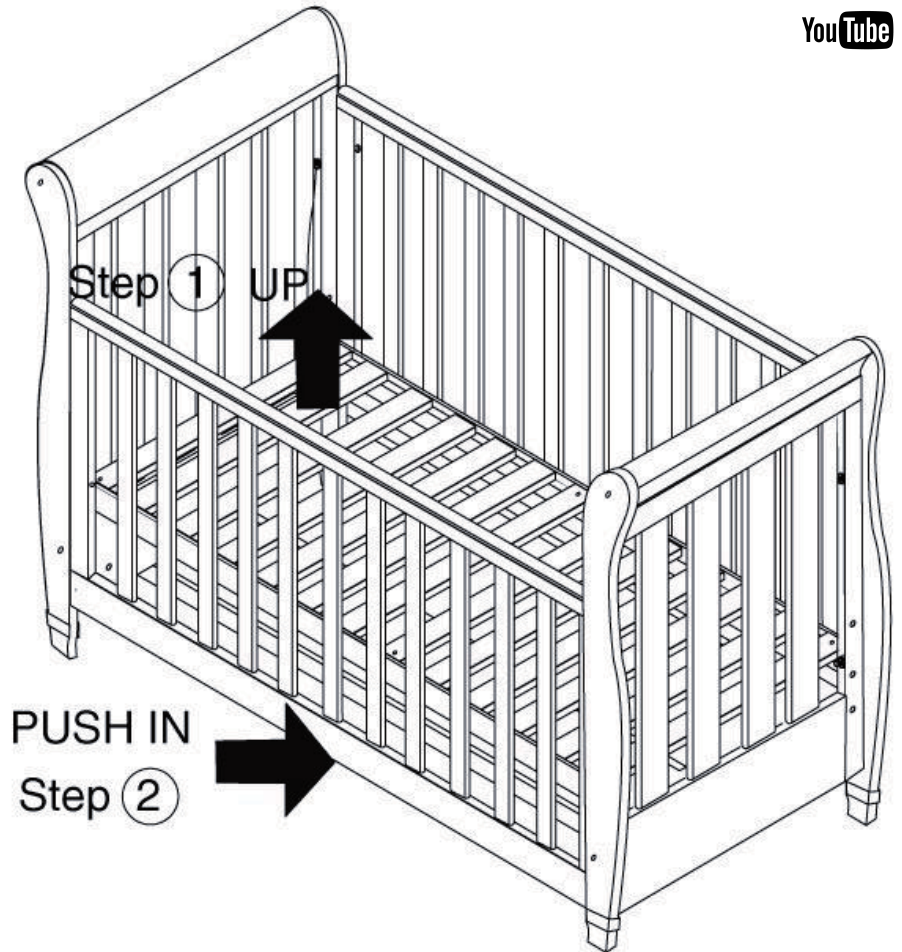
YouTube

Step9

To lower or raise the dropside panel:

Lift up the dropside to top, hold, while using your leg push lower centre of panel inward, then allow panel to slide down/up until it clicks into locking position.

Always verify that both ends of the dropside are locked in the raised position whenever a child is in the cot.



NON

YouTube

Step10

Slide drawer into drawer runners on side of each end panel of cot

Note the drawer must fully push in for dropside operation

Cot is ready for use.



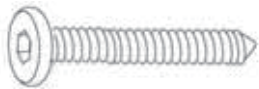
CONVERT TO DAY BED / BED



I / Allen Key x 1

Step 1

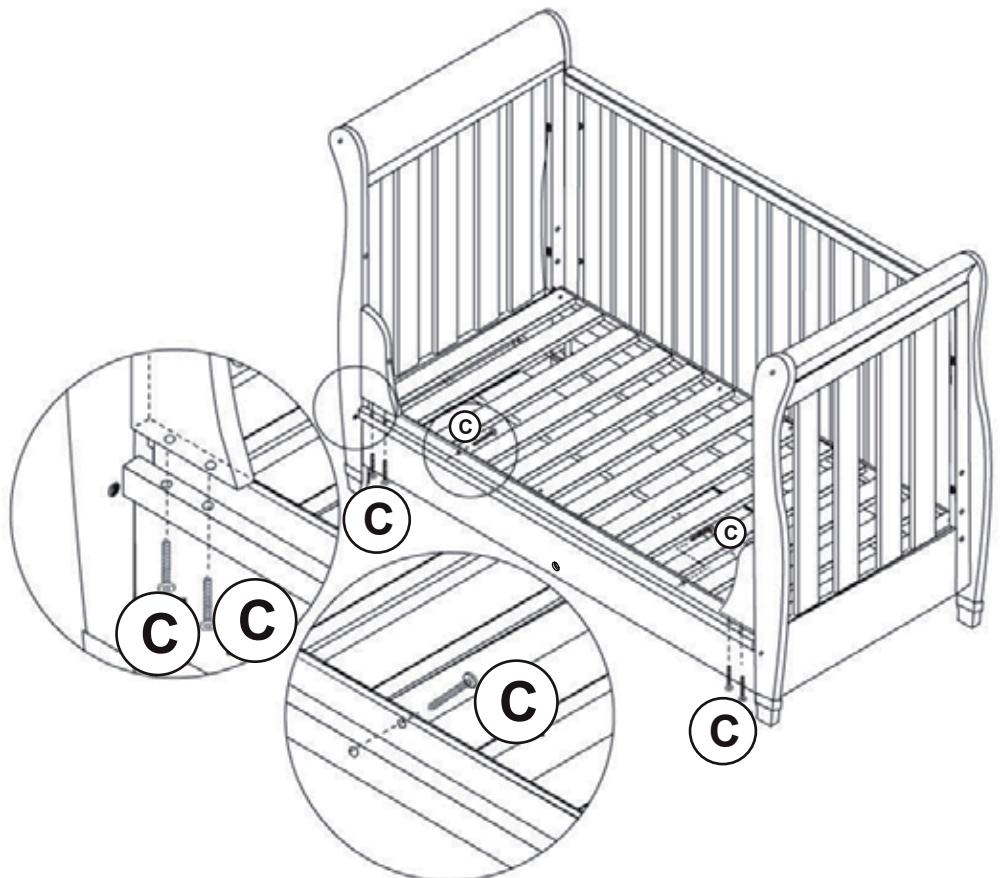
Remove the dropside, insert (I) Allen key through the holes on the side of the dropside panel, push down lower pins of cot ends, to allow remove of dropside by reverse the assembly step 5, 8 & 7.

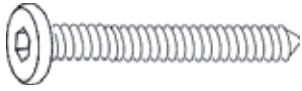


C/ Bolts 40mm x 6

Step 2

Use Bolts (C) to attach side support onto convert bar, and convert bar onto mattress base. Per diagram shown.

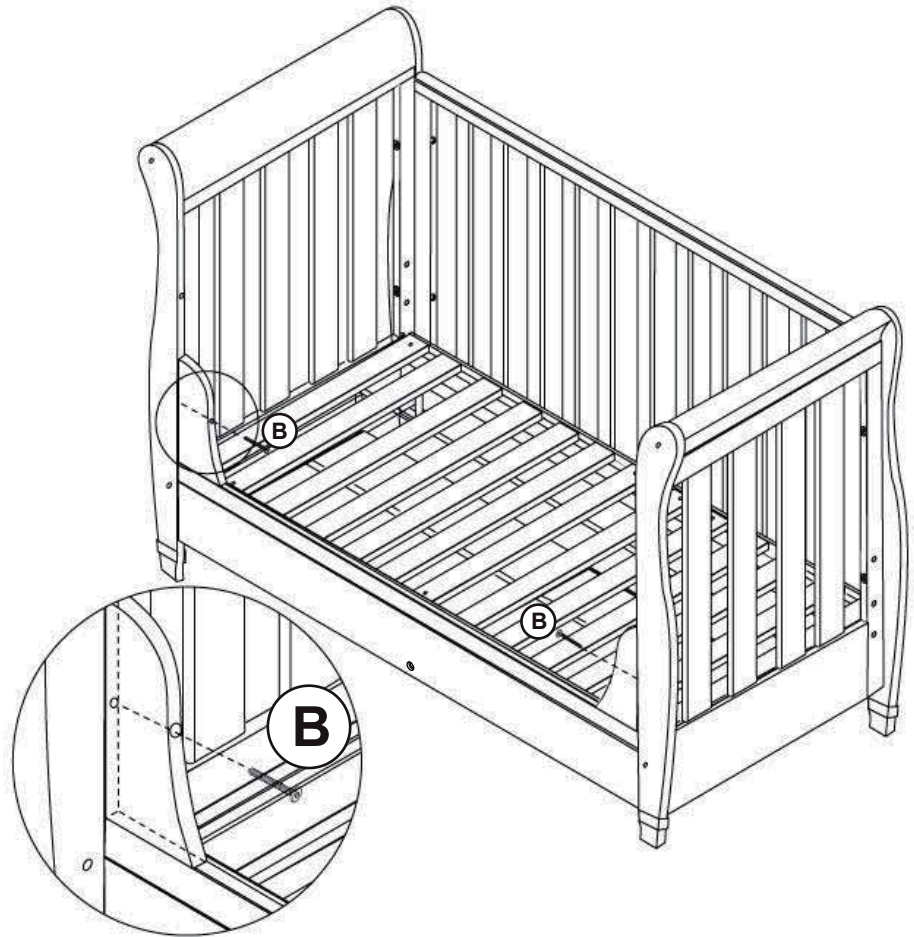




B/ Bolts 55mm x 2

Step 3

Use Bolts E, attach side support panel onto bed end panels. Fully tighten all connections. Bed ready for use.



Due to constant updating and improvements, some components may occasionally differ slightly from the diagrams shown in these instructions.

Any spare components should only be thrown away after you have fully constructed your product. After disassembly, it is important to retain all metal fixings and components should the product be returned to cot or bed mode in future.

We reserve the right to change the specifications of any piece of product without prior notice.

Care & Maintenance

To preserve the hand crafted quality of Babymore furniture, we recommend using a cotton cloth and a non-toxic cleaner. Periodic use of furniture polish will maintain the good looks of your furniture. Scuff marks may be removed with a damp cloth.

SIX MONTHS LIMITED WARRANTY

We will replace any missing parts at the time of purchase or any defective item within 6 months period from the date of original purchase. Please keep your receipt so that we may process your warranty request. This warranty only covers new units with original packaging and ownership, and is not transferable. It does not cover any used, second hand or demo models.

This warranty does not cover any damaged or defective parts that result from installation and assembly, normal wear and tear, abuse, negligence, improper use, incidental damages or alteration to the finish, design, and part or fitting of the cot. This in no way affects your statutory rights

Each Babymore item is a unique piece, made of high quality wood and material. Due to the handcrafted nature of our products and our use of solid woods, each piece is unique and may contain irregular qualities, there will occasionally be natural markings, miniscule burrs, or slight discolorations. These natural characteristics are inherent in wood and are not considered manufacturing defects. Because of this, the merchandise will be considered normal and of good quality and do not merit replacement.

Thank you for purchasing Babymore If you need assistance, spare parts or you are unhappy with the goods
Call : **020 3475 5588** Or email us at customerservices@babymore.co.uk

Serial Number location: label attached onto slat of mattress base.

