



Birlea

Suppliers of inspiration

Assembly Video

For a step by step guide on how to build our Phoenix Ottoman Bed visit our YouTube channel 'BirleaFurnitureLtd' or alternatively scan the QR code on your smart phone.



How to scan a QR code from an apple device

Step One: Open up the camera app

Step Two: Hold the device's camera up to the QR code

Step Three: Your Apple device will automatically recognise the QR code and provide you with a link to the video.

How to scan a QR code from an android device

Step One: Download the QR Code reader application from the Play Store.

Step Two: Open the QR code application and open the camera.

Step Three: Your Android device will automatically recognise the QR code and provide you with a link to the video.

How to scan a QR code from a Window's device

Step One: Open up the camera app

Step Two: Hold the device's camera up to the QR code

Step Three: Your Window device will automatically recognise the QR code and provide you with a link to the video.

Please ensure that you device is up to date with the latest operating system.

ASSEMBLY INSTRUCTIONS

PHONENIX OTTOMAN 4' BED

IMPORTANT: READ THESE INSTRUCTIONS CAREFULLY BEFORE ASSEMBLING OR USING YOUR PHOENIX OTTOMAN 4' BED FRAME.

PLEASE KEEP THESE INSTRUCTIONS FOR FUTURE REFERENCE.

HEALTH & SAFETY:

DO NOT jump on this bed frame.

DO NOT use this bed frame if any parts are missing, damaged or worn.

DO NOT use this bed frame unless all fixings are secured.

Please keep small parts out of reach of children.

Always use on a level, even surface.

WARNING: If this bed is placed on a non-carpeted floor you must place some protection under all legs to stop the bed frame from moving. If this is not adhered to there is no guarantee if the bed frame collapses.

WARNING: Take care when assembling the base, assemble the ottoman as close to its final position. The ottoman has a powerful mechanism and after assembly should only be opened when the bed mattress is in place.

CARE & MAINTENANCE:

Assemble in the room of use.

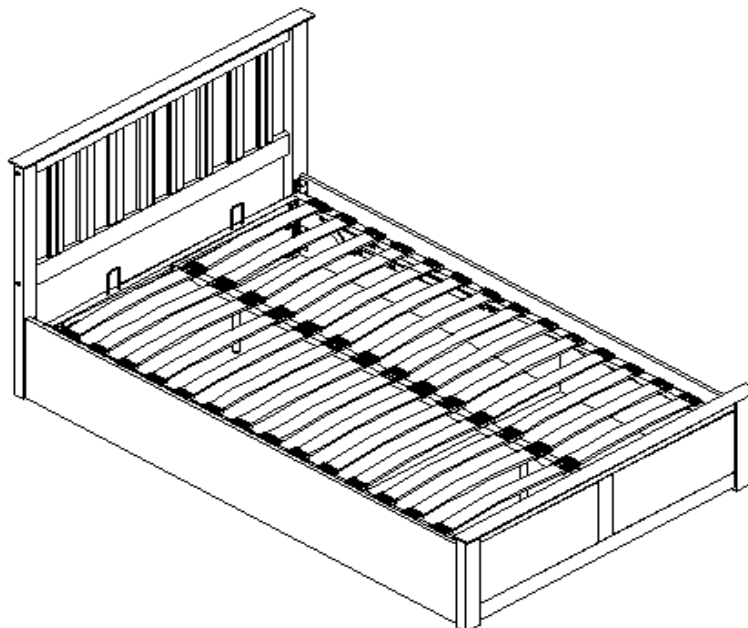
Periodically check all screws & fixings to ensure they are secure.


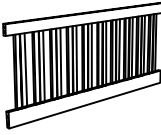
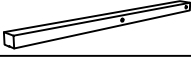
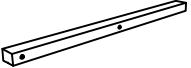
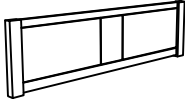
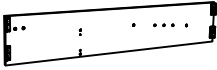


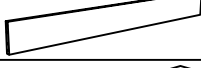
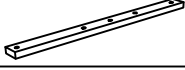
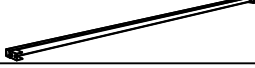






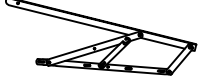
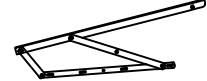

DO NOT push the bed frame as this will damage the legs.










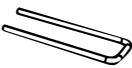






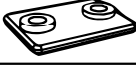


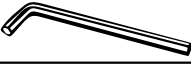





Always lift the bed with two people to reposition.

Keep any sharp objects away from the frame.

Assemble must be done by two persons.

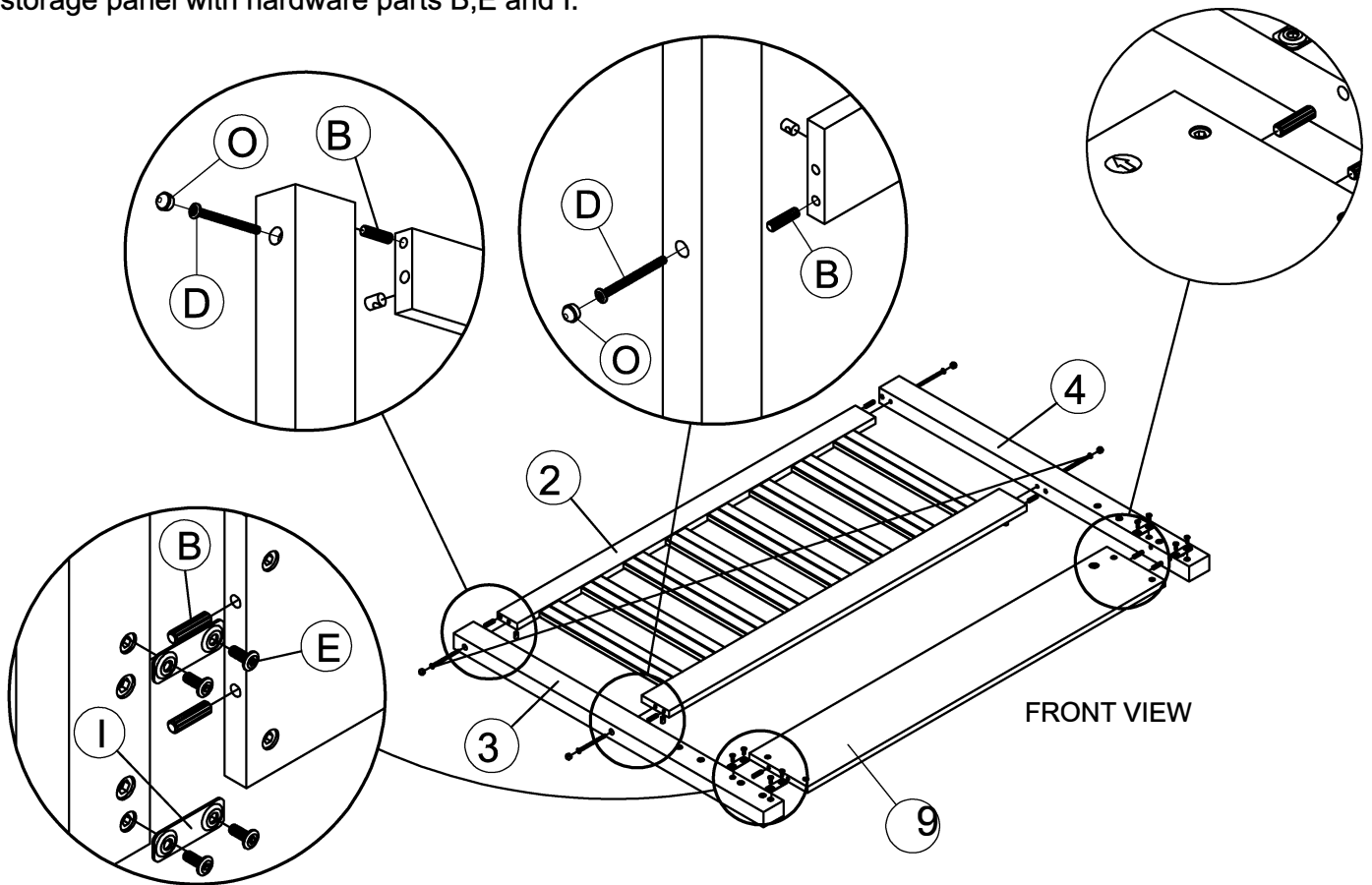


Parts List				
Parts	Description		Qty	Box
1	Top Bar		2	2/4
2	Headboard Frame		1	1/4
3	Left Wooden Post		1	2/4
4	Right Wooden Post		1	
5	Footboard		1	1/4
6	Left Side Rail		1	4/4
7	Right Side Rail		1	
8	Centre Storage Panel		1	
9	Back Storage Panel		1	
10	Hydraulic Arm Spacer		2	3/4
11	Left Side Metal Bar		1	
12	Right Side Metal Bar		1	
13	Headboard End Metal Bar		1	
14	Footboard End Metal Bar		1	
15	Center Metal Bar		1	
16	Support Leg		2	
17	Slat		28	
18	Left Hydraulic Base Support c/w Pump Stopper		1	
19	Right Hydraulic Base Support		1	
20	Hydraulic Base Pump		2	

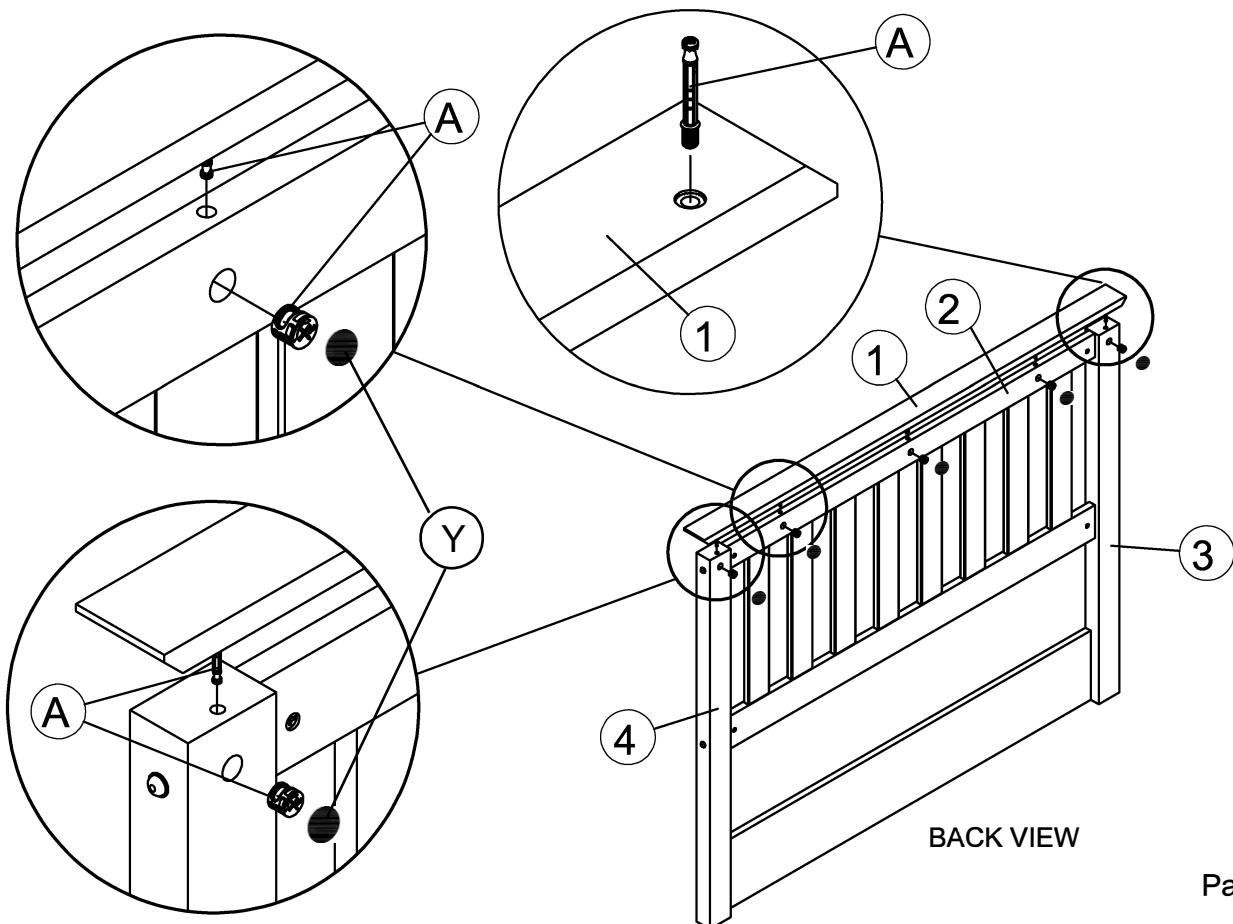
Hardware List (Found in box #)					
Parts	Description		Qty	Box	
A	Mini Fix		14	3/4	
B	8 x 30 mm Wooden Dowel		12		
C	Metal Corner Block		2		
D	M6 x 90 mm Barrel Nut		4		
E	M6 x 16 mm JCBC Bolt		8		
F	M8 x 20 mm JCBC Bolt		16		
G	M8 x 15 mm JCBC Bolt		16		
H	M8 x 45 mm JCBC Bolt		14		
I	Bracket 20 mm x 58 mm		4		
J	Base Handle		2		
K	M8 Nut		4		
L	Plastic Washer		8		
M	Single Slat Cap		28		4/4
N	Double Slat Cap		14		
O	Wooden Button		4	3/4	
P	Belt Handle		1		
Q	Washer Bracket		4		
R	Flat Washer		30		
S	M8 x 40 mm JCBC Bolt		8		
T	M6 Allen Key		1		
U	M8 Allen Key		1		
V	M12.8 Spanner		1		
W	Washer Bracket		6		
X	Spring Washer		30		
Y	Sticker		10		

** You will also need a screwdriver and small mallet (not provided).

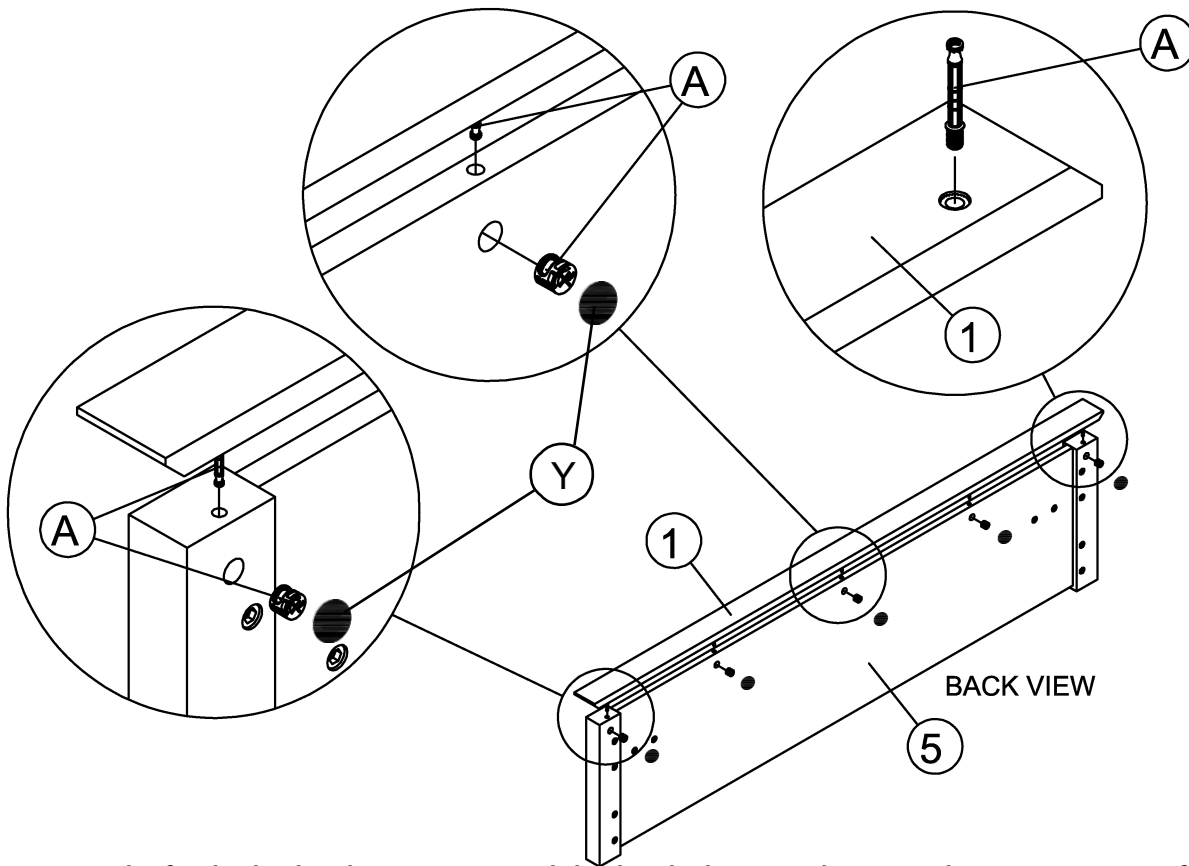
Step 1: Attach the headboard frame (2) and back storage panel (9) to the left wooden post (3) and right wooden post (4). Secure the headboard frame using hardware parts B, D and O, then secure the back storage panel with hardware parts B,E and I.



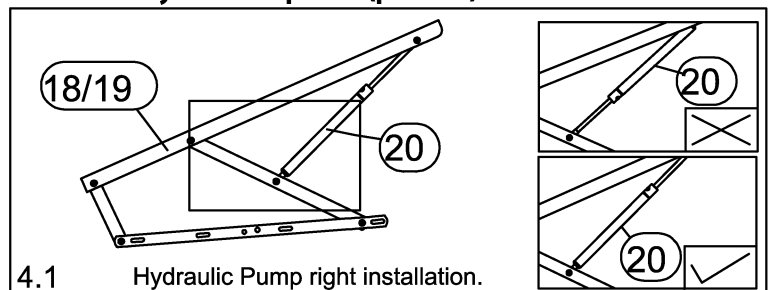
Step 2: Firstly screw the minifit part A to the top bar (1) as shown and then fix the top bar (1) to the headboard frame (2) and L/R wooden post (3)(4) using hardware parts A, then paste the sticker Y.



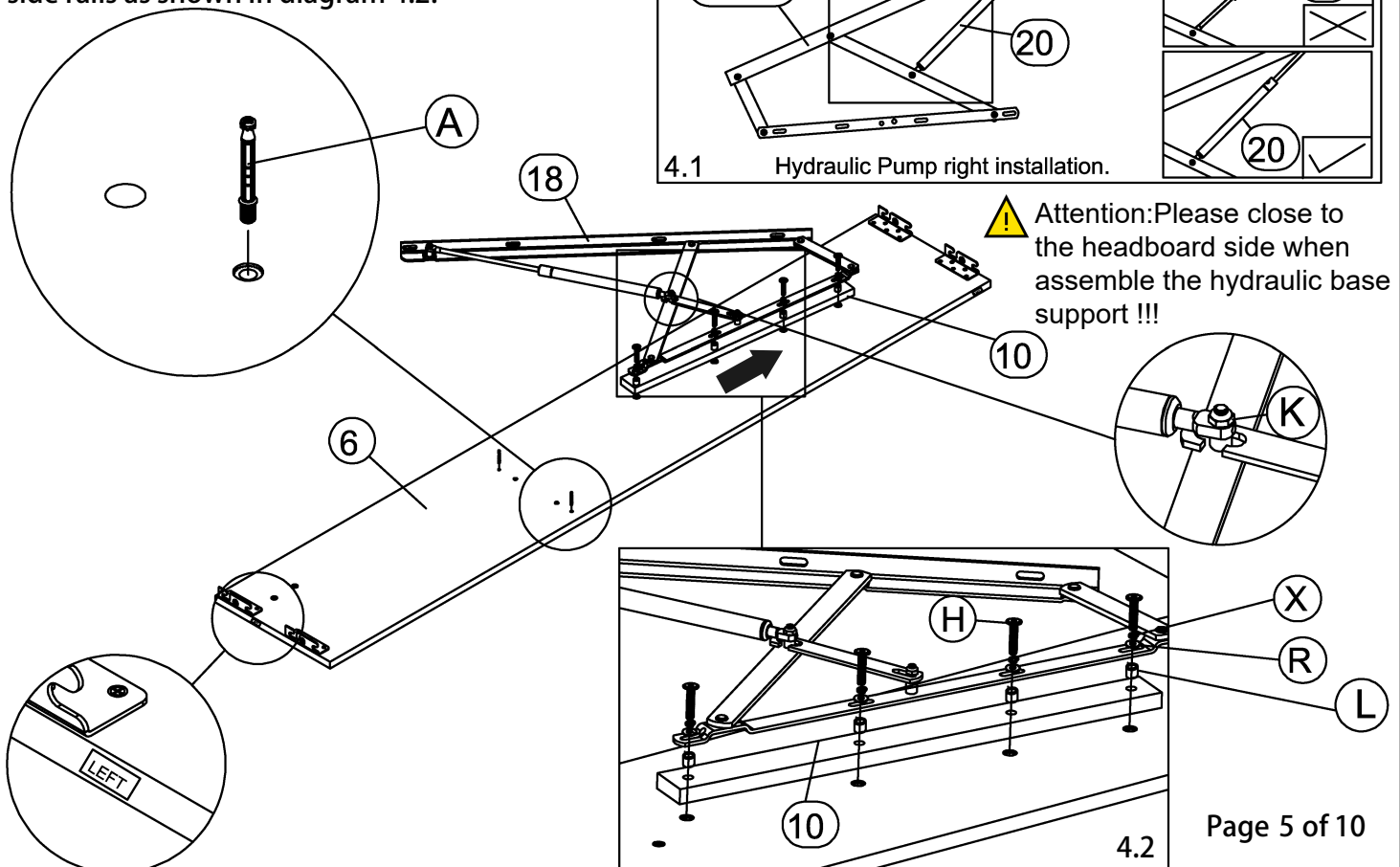
Step 3: Firstly screw the minifitpart A to the top bar (1) as shown and then fix the top bar (1) to the footboardframe (5) using hardware parts A; then paste the sticker Y.



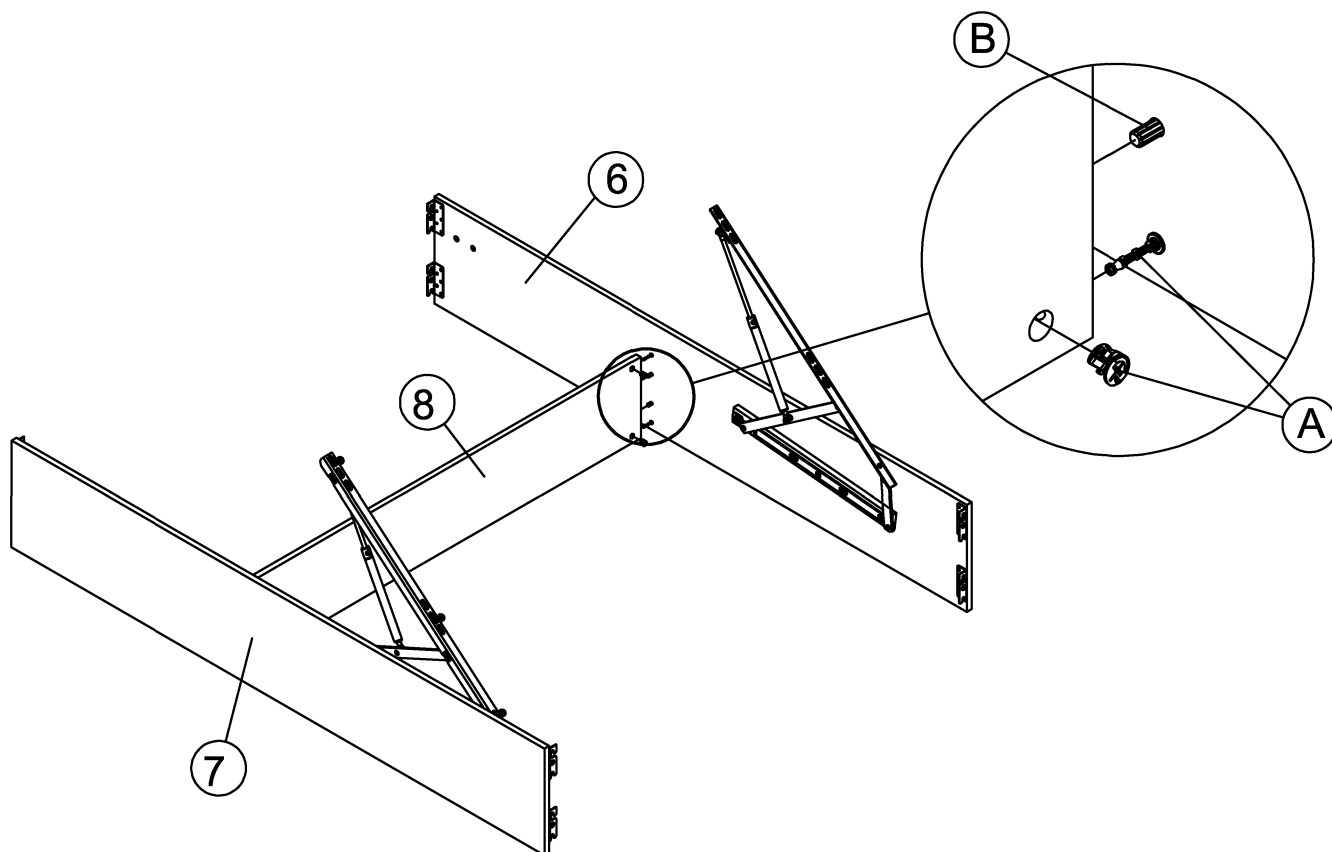
Step 4: Firstly, fix the hydraulic pump to each hydraulic base as shown in diagram 4.1. Next fix the left and right hydraulic spacer together with the hydraulic base supports on to both side rails using bolts H. Ensure Plastic washers (part L) are used between the Hydraulic spacer (part 10) and the hydraulic base support (parts 18/19) as shown in the image. Then screw the minifit part A to both side rails as shown in diagram 4.2.



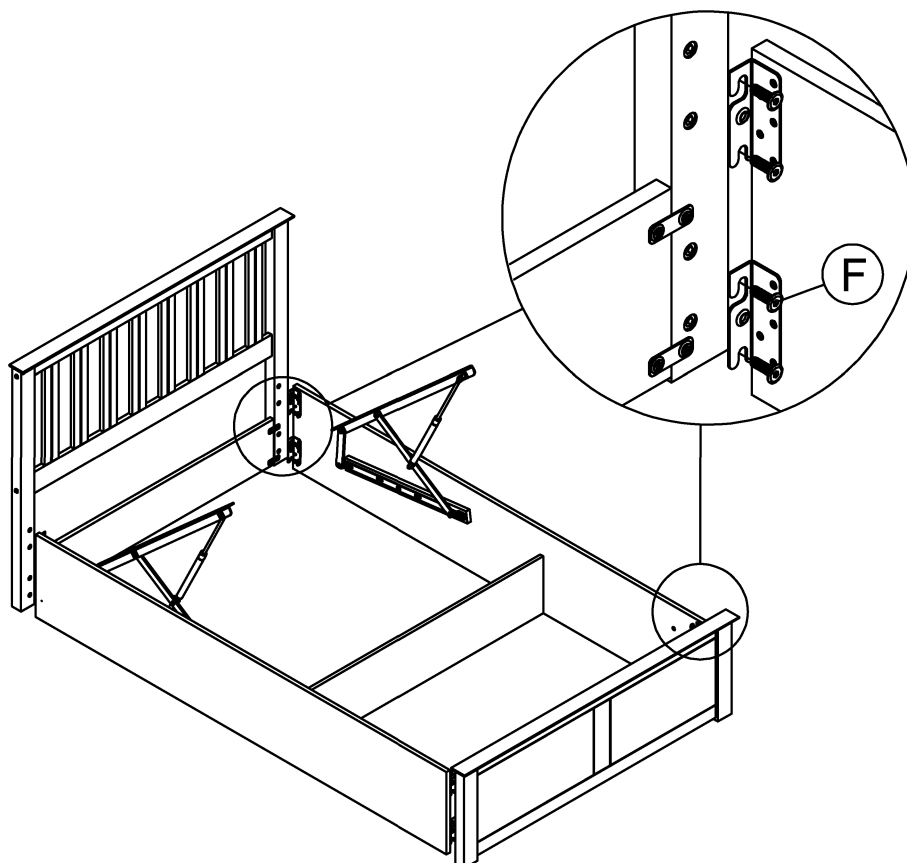
⚠ Attention: Please close to the headboard side when assemble the hydraulic base support !!!



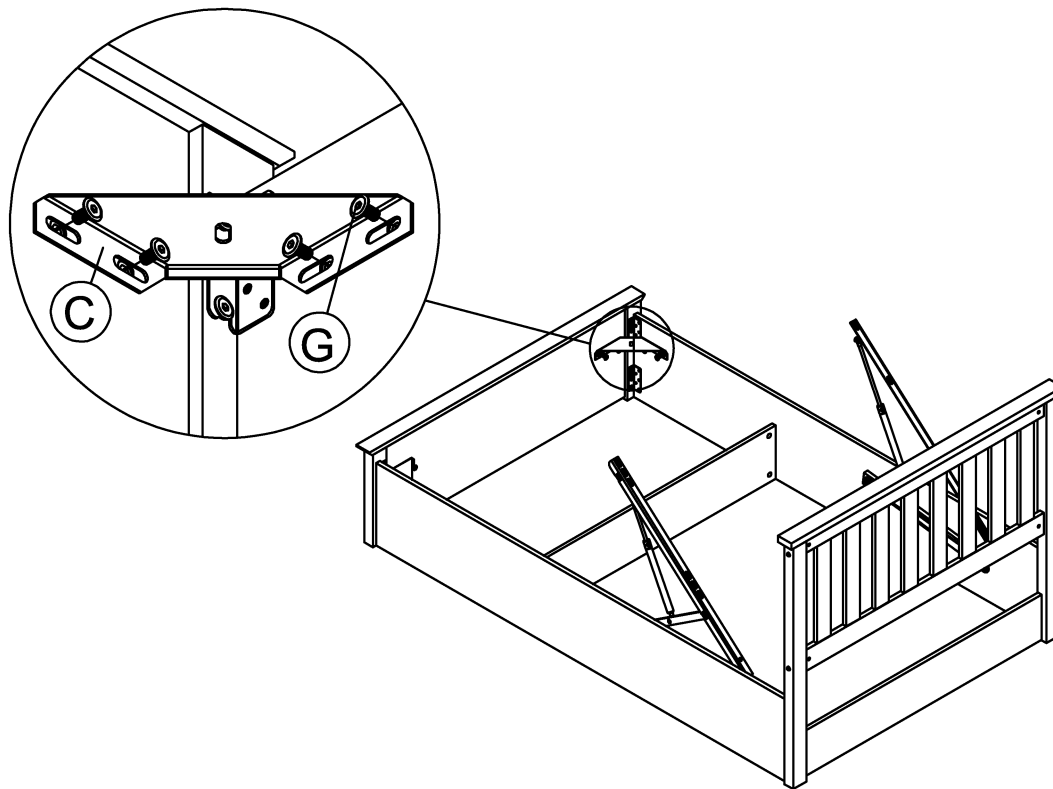
Step 5: Join together the left side rail (6) and right side rail (7) with the centre storage panels (8) using hardware parts A and B.



Step 6: Fix side rail to the headboard and footboard with hardware as shown.

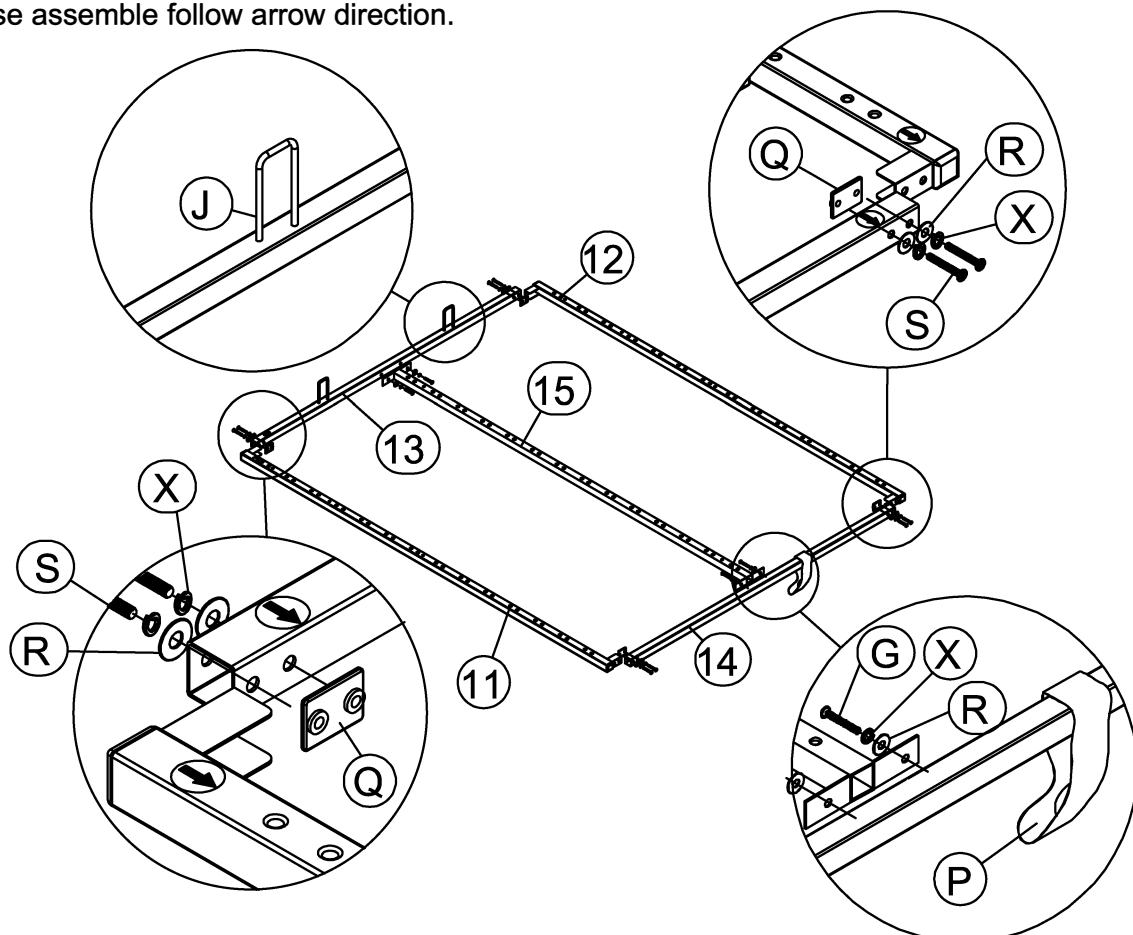


Step 7: Fix metal corner block C to the edge of footboard and side rails with bolt G as shown.

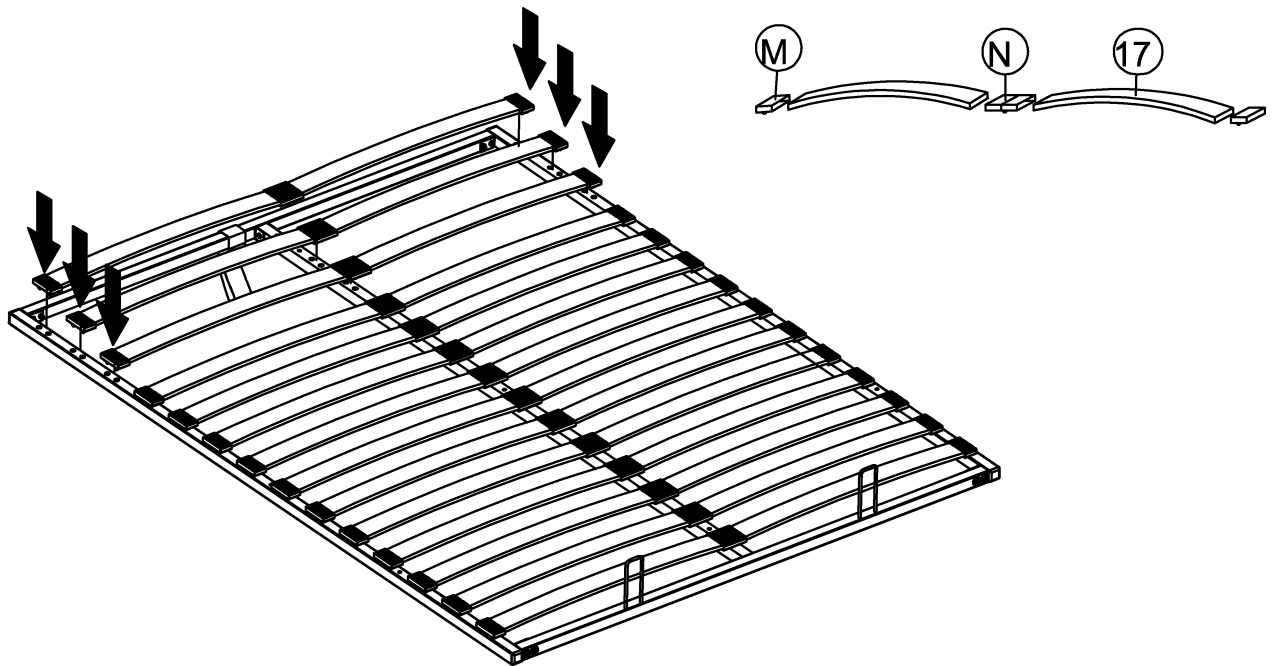


Step 8: Join together all the bed base parts (11),(12),(13),(14) and (15) using hardware parts G,X & R and also slide part P onto Part 14 before bolting together. And then attach hardware parts J as shown. Important

note: Please assemble follow arrow direction.

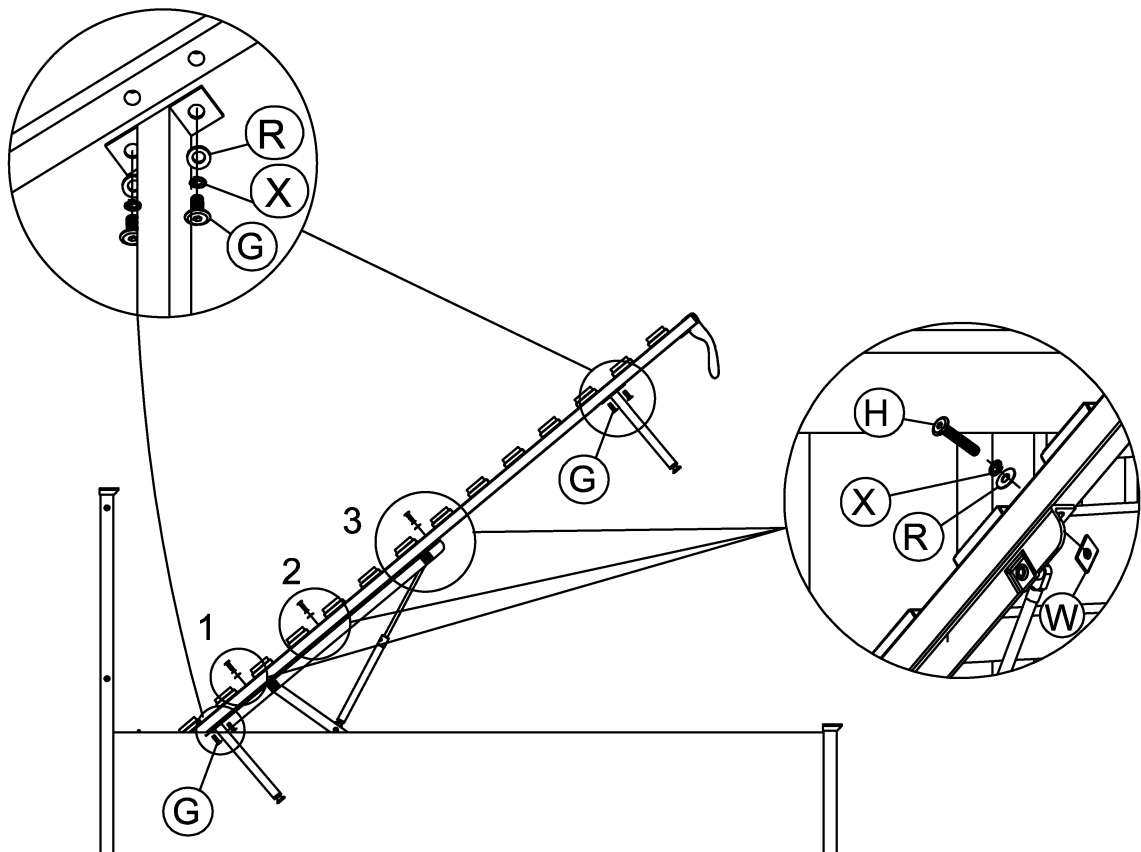


Step 9: Insert the slats (17) to hardware parts M and N then press into the base making sure they are secure.

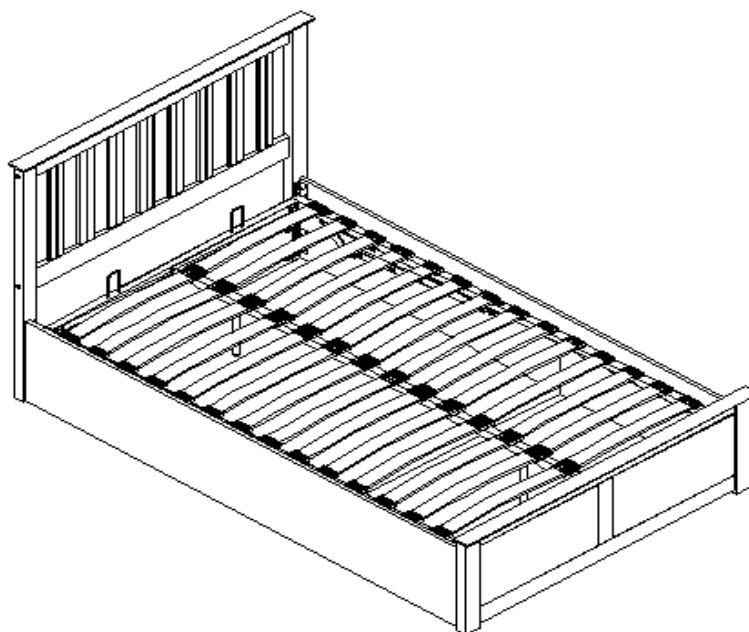
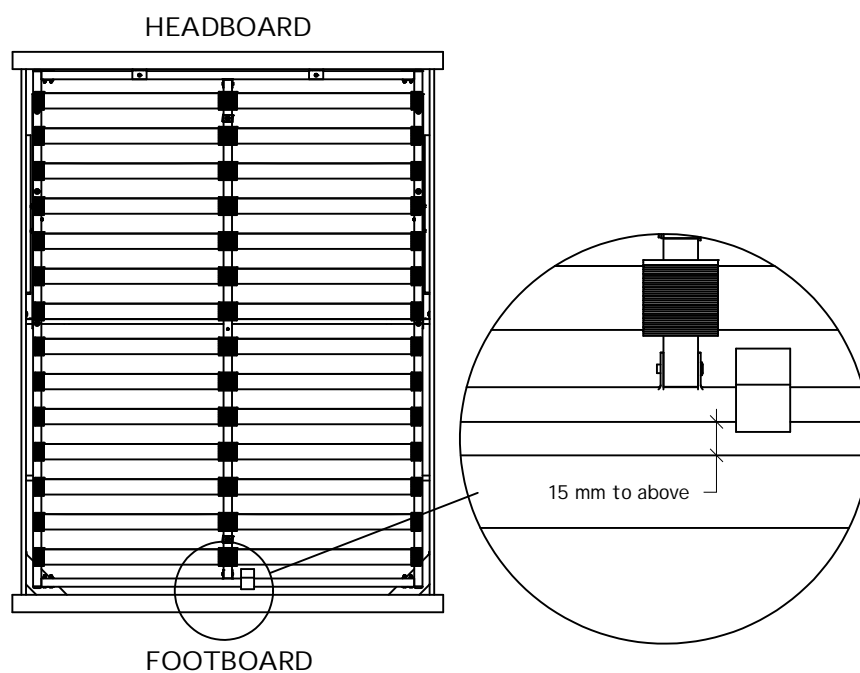


Step 10: Assemble the bed base on the right & left hydraulic frame and fix bolts L starting from ' 1 ' to ' 3 ' as shown and fix the support leg (16) to the bed base as shown.

Important note : Do not tighten the bolts yet!, and this assemble must be done by two persons.



Step 11: Adjust the bed base making sure that the distance to the footboard is approximately **15 mm** to above. Tighten all bolts and screws now.

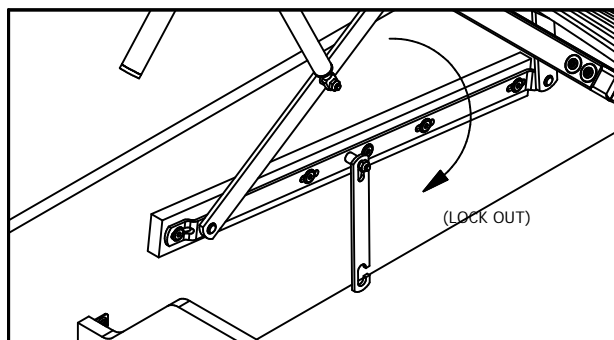
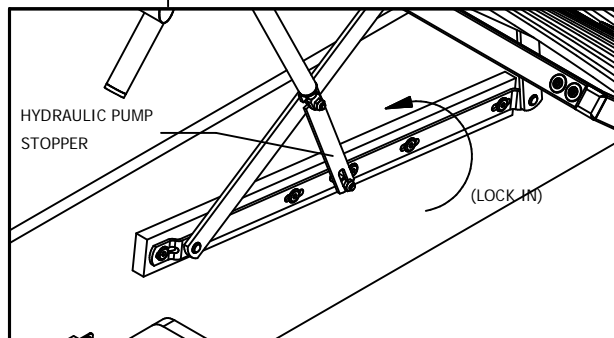
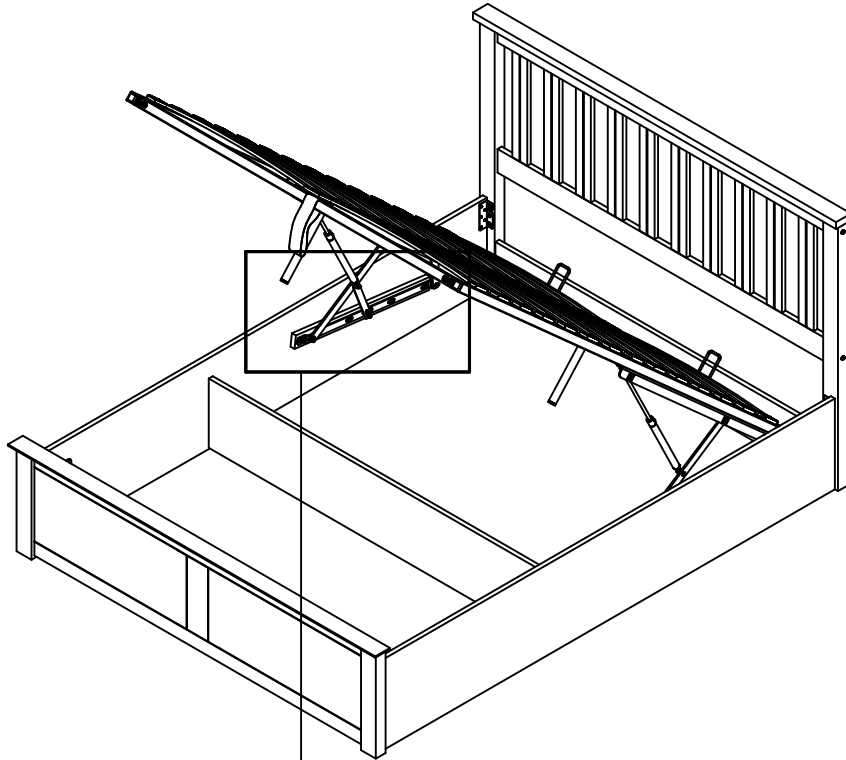


Additional Information:

- For complete product information, images and dimension diagrams please visit the website www.birlea.com
- If you have any issues with your item please contact the retailer directly you purchased it from who will be able to resolve any issues with Birlea.
- Why don't you send us photos of your assembled furniture to info@birlea.com to be shared in our #birleahome feature on Instagram.

CAUTION :

PLEASE USE HYDRAULIC PUMP STOPPER FOR SAFETY PURPOSE.



Important Ottoman Safety Warnings

- . Caution. This bed uses a pressurised mechanism.
- . Use caution when operating - Always use two hands at arm's length, and only where illustrated on the product.
- . You must ensure the mattress is on the bed frame before lifting the mechanism - Failure to do so may result in injury.
- . Please ensure Children and pets are kept away from the bed when operating the bed mechanism.
- . If removing the mattress, make sure that the frame is secured as it could flip open.
- . Only use the storage compartment when the frame is fully raised in the 'up' position.
- . No children or animals are left unattended when the frame is in the 'up' position.
- . Do not remain on the bed whilst the lifting mechanism is in use.
- . Beware of Entrapment - Keep both hands clear of mechanism when operating the mechanism.
- . When lifting the bed remove all bedding - Except the fitted sheet.

