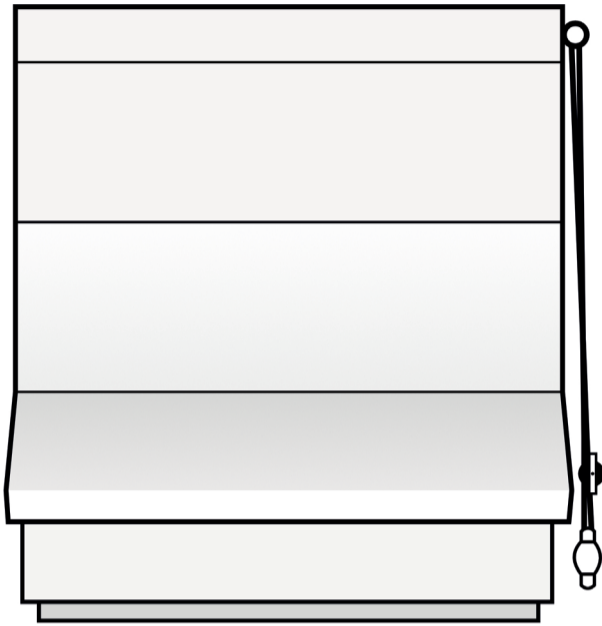


Roman Blind

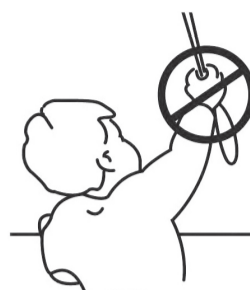
INSTRUCTIONS



www.dunelm.com

← UNFOLD FOR FULL INSTRUCTIONS →

CHILD SAFETY WARNING



- Young children can be strangled by loops in pull cords, chains, tapes and inner cords that operate the product.
- To avoid strangulation and entanglement, keep cords out of the reach of young children.
- Cords may become wrapped around a child's neck. Move beds, cots and furniture away from window covering cords.
- Do not tie cords together.
- Make sure cords do not twist and create a loop.

PERSONS IN CHARGE OF CHILDREN ARE ULTIMATELY RESPONSIBLE FOR FOLLOWING THE SAFETY INSTRUCTIONS PROVIDED BY THE MANUFACTURER AND TO USE ANY SAFETY DEVICE SUPPLIED.

The installation can be completed by non-professionals.

Safety Recommendations

- Always use a Step Ladder when working at height.
- We recommend you use two people for the installation of larger blinds.
- DO NOT over reach. DO NOT hold or lean on the blind to support your weight. Always move the Step Ladder so that you are in a safe working position.
- Take care when using power tools, use of a Residual Current Device (RCD) is recommended. Always use eye protection when drilling. Beware of hidden pipe runs and cables.
- No liability will be accepted for damage or injury caused by incorrectly installed or assembled product.

PLEASE KEEP OUT OF THE REACH OF YOUNG CHILDREN. SMALL PARTS - CHOKING HAZARD.

Please keep these instructions and batch code from packaging for future reference.

www.dunelm.com

Important



Important Safety Instructions

Thank you for purchasing this product. Please read the instructions and warning carefully before use to ensure safe and satisfactory operation of this product. Keep these instructions for future reference.

The safety clips or cleats must be positioned high enough to be out of reach of small children. In all cases the distance from the floor to the bottom of the cord and cleats must be at least 1.5 m. The head rail shall not be installed less than 1.5m from the floor.

All safety clips for blinds need to be fixed to a solid surface using a screw and fixing suitable for the wall or surface material. These items should not be glued.




Small Parts can present a choking hazard if accidentally swallowed. Keep small parts away from young children.

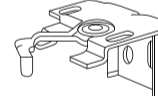

We do not recommend that roman blinds are cut to size.

Ensure that all wall plugs and screws provided are suitable for your type of wall/window. If in doubt, consult a professional.

This blind is maintenance-free.

Kit content


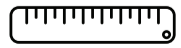

Visual	Qty
 Blind with fitted head rail	1
 Screws	6
 Wall plugs	6

Visual	Qty
 Fixing brackets	2
 Safety device (cleat)	1

Please note that this is the minimum kit content. For wider width blinds, there will be additional brackets, screws and wall plugs.

Tools required

Take care when using the tools. Wear gloves and eye protection.

Visual	Qty
 Pencil	1
 Ruler/tape measure	1
 Drill	1

Care advice

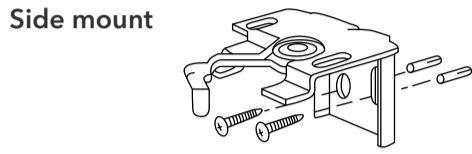
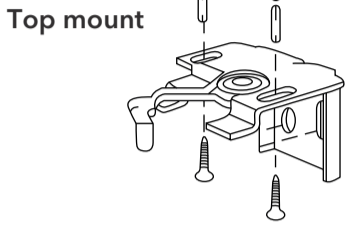
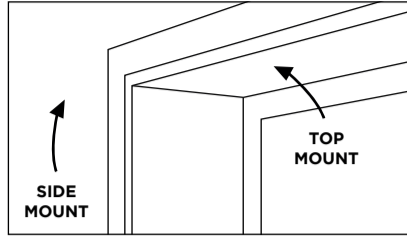
Wipe clean only

Installation guidance

Fitting the brackets

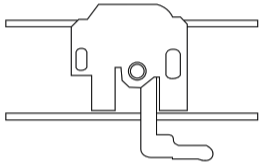
The brackets can be fixed top or side mounted as shown. Place the blind bracket at least 8cm inside from the end of the head rail. Mark screw holes then screw in place the brackets. For large blinds that require three brackets, the third bracket should be placed in between the two other brackets.

The brackets can be fixed inside or outside your window recess. A top mount is used to fix inside to the 'ceiling' of the window recess and the side mount outside onto the window frame or wall as shown.

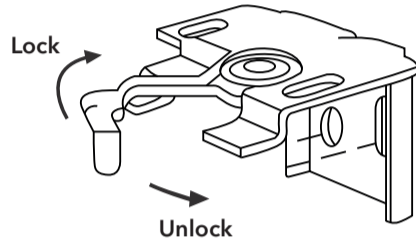
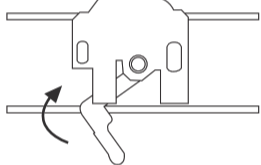


Fitting the blind

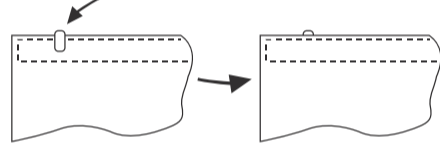
Step 1: Making sure the swing arm on the bracket is in the unlock position, then place the head rail onto brackets so the outer lip of the head rail is resting on the two projections.



Step 2: Turn the swing arm on the bracket to the locked position to secure the head rail to the bracket.



Step 3: Gently pull back the fabric from underneath the swing arm to conceal head rail from view.



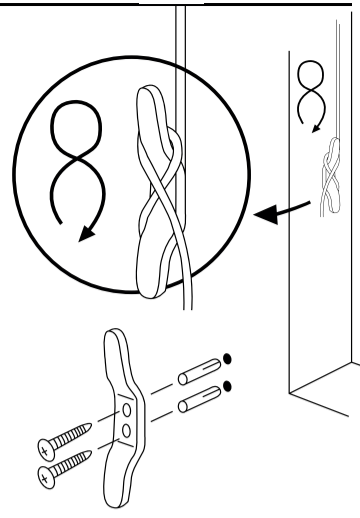
Fitting the child safety device (Cleat)

The safety device (cleat) must be installed as close to the head rail as possible and, in all cases, no less than 1.5m from the floor.

Children can strangle if this safety device is not installed. Always use this device to keep cords or chains out of reach of children.

Ensure all cords are fully wrapped around the safety device provided (cleat) whenever the blind is not being operated.

There must not be any length of cord available for a small child to wrap around their neck.



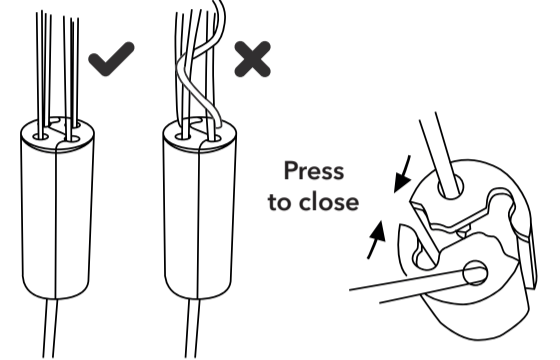
Cord collector care

If the cords become detached, simply press back into position.

Do not put the cords back in a twisted position and never allow the cords to become twisted when in use.

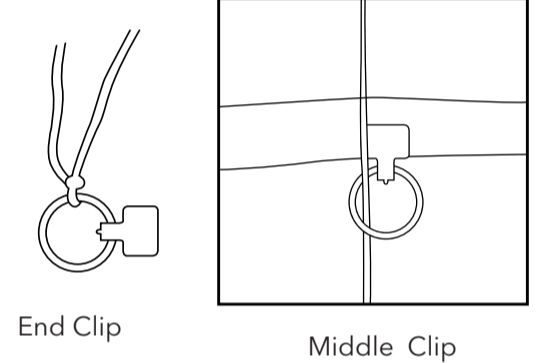
The cord collectors are designed to snap.

Do not remove the cord collector to prevent child strangulation.



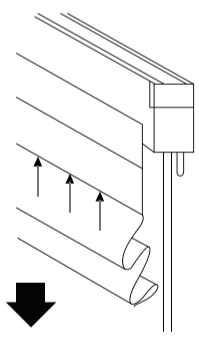
Child safety break away

At the back of your roman blind, the cords attach to the fabric using clips. We take the safety and well-being of children very seriously so these clips also double up as a child-safety feature. They will detach when they are put under too much strain to prevent the risk of strangulation. If they become detached accidentally during use of your blind, these can be easily clipped back into place to allow operation of the cords.

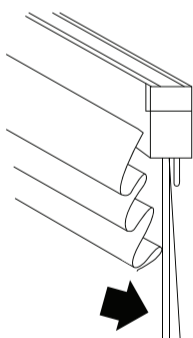


Operating the blind

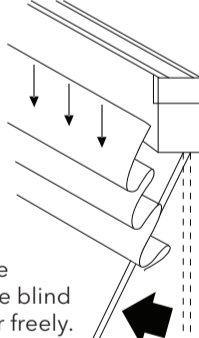
Raise: Pull down on the cord to raise the blind to your desired height.



Lock: Pull the cord to the right and secure the cord onto the cleat.



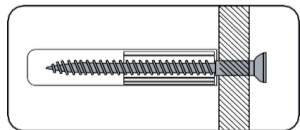
Unlock: Unwind the cord from the cleat and pull the cord to the left.



Lower: Once unlocked, the blind should lower freely.

Wall fixings

Step by step



Important

When drilling into walls always check there are no hidden wires or pipes etc. Make sure that the screws and wall plugs being used are suitable for supporting your blind. Consult a qualified tradesperson if you are unsure.

Hints

1. General Rule; Always use a larger screw and wall plug if you are not sure.
2. Ensure you use the recommended drill bit to match the wall plug and hole size.
3. Ensure you drill the hole horizontally, do not force the drill or enlarge the hole.
4. Take extra care when drilling high walls, ceilings and ceramic tiles. Ensure the plug is fitting below the ceramic tile to avoid splitting or cracking.
5. Ensure wall plugs are well fitted and are a tight fit in the drilled hole.

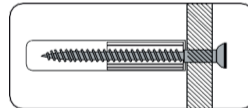
Wall fixings

Types of Walls

You can use one of the following types of wall plug if your walls are made of brick, breeze block, concrete, stone, wood or plastic board.

1. STANDARD Wall Plug

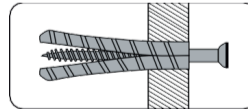
General wall materials



These come in various sizes and are made from plastic or sometimes wood fibre.

2. GENERAL PURPOSE Wall Plug

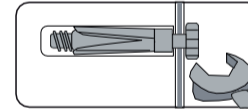
Aerated/Breeze block



Generally aerated blocks should not be used to support heavy loads, use a specialist fitting in this case. For light loads, a General Purpose Plug can be used.

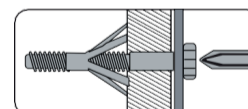
3. SHIELD ANCHOR Wall Plug

Heavy loads



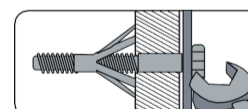
For use with heavier loads such as TV & Hi-fi Speakers and Satellite Dishes etc.

4. CAVITY FIXING Wall Plug



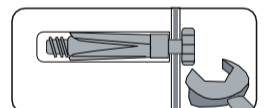
For use with plaster board partitions or hollow wooden doors.

5. CAVITY FIXING HEAVY DUTY Wall Plug



For use with plaster board partitions or hollow wooden doors.

6. HAMMER FIXING Wall Plug



For use with walls stuck with plaster board. The hammer fixing allows it to be fixed to the wall rather than the plaster board. Always check the fixing is secure to the retaining wall.

Care and Maintenance

⚠ Safety
Always check the fitting and location to ensure your safety in and around the home.

⚠ Fitting
From time to time check the fitting to ensure the wall plugs or screws do not become loose.

- Please ensure that you use fittings that are suitable for your wall type (see wall fixings information for a general guide).
- Please ensure that the head of the screws used has a diameter greater than the diameter of the hole on the wall fixing and that the fixing is safe and secure before using.
- When drilling into the walls, always ensure there are no hidden wires or pipes.
- If you are unsure, we recommend you consult a qualified Trades person.