

### Before you get started...

*We are confident you will be happy with your new Aspire wall panels.*

*However it is worth making sure you are happy before you unpackage and start to put them on the wall.*

*Please check the following:*

#### **CORRECT COLOUR**

Please make sure you are happy with the colour. There is no need to fully unpack, please just check the first component.

#### **PACKAGING**

If you're satisfied, then its time to open. Start by laying out all components on the cardboard. This will prevent the fabric getting stained or scuffed.

Contact info: [cs@aspire-furniture.co.uk](mailto:cs@aspire-furniture.co.uk)  
01484 949354

#### **RETURNS**

If you are not completely satisfied with the product, don't worry. We just need everything back in the original packaging.

#### **\*\*\*\*\*PLEASE NOTE\*\*\*\*\***

The panels are designed to be removable from the wall. However, this will leave one half of the hook loop tape in place. Removing the hook loop tape from the wall could potentially damage the wall surface as the adhesive can form a strong bond to paint, plaster and other wall finishes.

## INFORMATION

- Before installation ensure the surface that the panels are to be mounted on are clean dry and free from dust or oil residue, as this will prevent the adhesive from forming a secure bond.
- Ensure that this product is fully affixed securely to the wall before leaving in place.
- Check that the panels are secure and inspect them regularly.
- This product should only be used on solid, level walls.
- Over time the hold strength of the hook and loop fastening can be diminished particularly if removed regularly.
- This product should not be used in rooms or areas with a high moisture content e.g. kitchens and bathrooms as this can affect the adhesive.

These panels should only be mounted on painted walls, varnished wood or tile. Any mounting surface must be clean, dry and free from any dust or oily residue. We recommend cleaning surfaces using rubbing alcohol and a lint free cloth prior to mounting the panels.

The pre-attached adhesive strips are not suitable for mounting to any uneven or textured wall surfaces, and are not for use on wallpaper, brick, stone or untreated wood. If you want to mount the panels to any of these unsupported surfaces it should only be done using sturdy mechanical fixings which would have to be purchased separately from a hardware retailer, and we would recommend that this should only be attempted by a competent tradesperson.

## WARNINGS

- DO NOT attempt to mount this product if adhesive tape is missing or damaged, each panel should have 3 strips of tape.
- DO NOT hang or balance any other items on this product.
- DO NOT touch the adhesive as this will impair its performance
- DO NOT mount on any wall that will be subject to vibration. Pay particular attention to any partition walls that have or are adjacent to doors.
- DO NOT mount on freshly painted walls, wait at least 30 days after painting before applying this product.
- DO NOT expose this product to dripping or splashing, rain or areas with moisture.
- DO NOT place any objects filled with liquids, such as vases, on the product.
- DO NOT remove from the wall immediately after mounting, the panels must remain in place on the wall for at least 24 hours after initial mounting to allow the adhesive to work
- DO NOT mount in a position where injury could occur if the panel falls
- DO NOT insert foreign objects into the product or attempt to repair this unit by yourself.
- DO NOT place the product in direct sunlight, near open flames, such as candles, or heat sources, such as radiators. Keep away from temperatures over 35°C.
- IF THE PRODUCT IS **NOT** INSTALLED IN ACCORDANCE WITH THE INSTRUCTIONS, AS OUTLINED ABOVE, THEN THERE WILL BE A RISK OF THE PANEL FALLING.

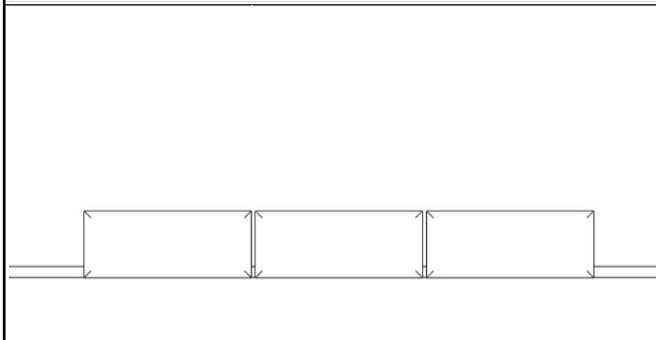
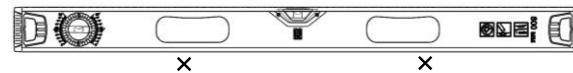
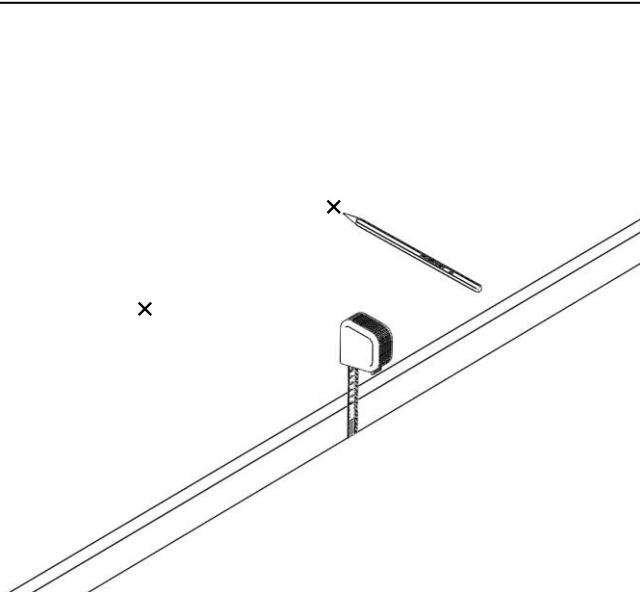
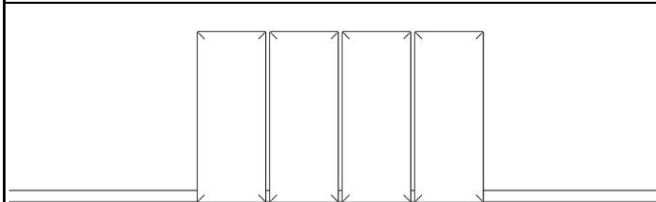
## CARE INSTRUCTIONS

- Hair products such as hairsprays, oils and gels may affect the finish. Avoid prolonged contact with such products.
- Regular cleaning is essential to avoid build up of these products on the surface.
- Avoid exposure to direct or prolonged periods of sunlight and position away from direct heat sources such as radiators.
- Care should be taken to avoid spilling anything on the upholstery. If a spillage occurs, act promptly and soak up any liquids by blotting with a clean absorbent cloth. Never rub to remove stains. Never use a wet cloth.
- If a spillage does occur, blot any liquids immediately with a clean, dry absorbent cloth and allow it to dry naturally.
- For more stubborn stains a professional upholstery cleaner should be consulted.

Choose your orientation

Measure 2 equal points from the floor to either the top or bottom position of the panel.

Check with a spirit level if available.



Remove the three white strips from adhesive and mount the panels to align with marks on the wall.

Press firmly against the wall ensuring adhesive strips are making good contact with the wall surface.

Repeat procedure for remaining panels.

