

# CuddleCo®

## Rafi Dresser Assembly Instructions



IMPORTANT, PLEASE RETAIN  
FOR FUTURE REFERENCE.  
PLEASE READ CAREFULLY.

[www.cuddleco.co.uk](http://www.cuddleco.co.uk)

## 2 Safety Warnings

# IMPORTANT! RETAIN FOR FUTURE REFERENCE. READ CAREFULLY

- During assembly children should be kept away from the product due to the possible risk of injury
- Assembly of the furniture will be easier with 2 people
- This product is suitable for use by a child in the age range 3 – 12 years
- **IN ORDER TO PREVENT TIPPING THIS PRODUCT MUST BE USED WITH THE WALL ATTACHMENT DEVICES PROVIDED**
- Serious or fatal crushing injuries can occur from furniture tipping over. To help prevent tipping:
  - Use the wall attachment devices provided
  - Never allow children to climb or hang on drawers, doors or shelves
  - Place heaviest items in the lower drawers or shelves
  - Do not set TV's or other heavy objects on top of this product
  - Never open more than one drawer at a time
- Attachment devices are provided with your product, however you will need to source suitable fixings for your wall type. If in doubt please contact a qualified tradesperson.
- Always ensure the wall to be drilled is free from hidden electrical wires, water & gas pipes

WARNING: Do not use this product without reading the instructions for use first  
WARNING: Do not leave the child unattended



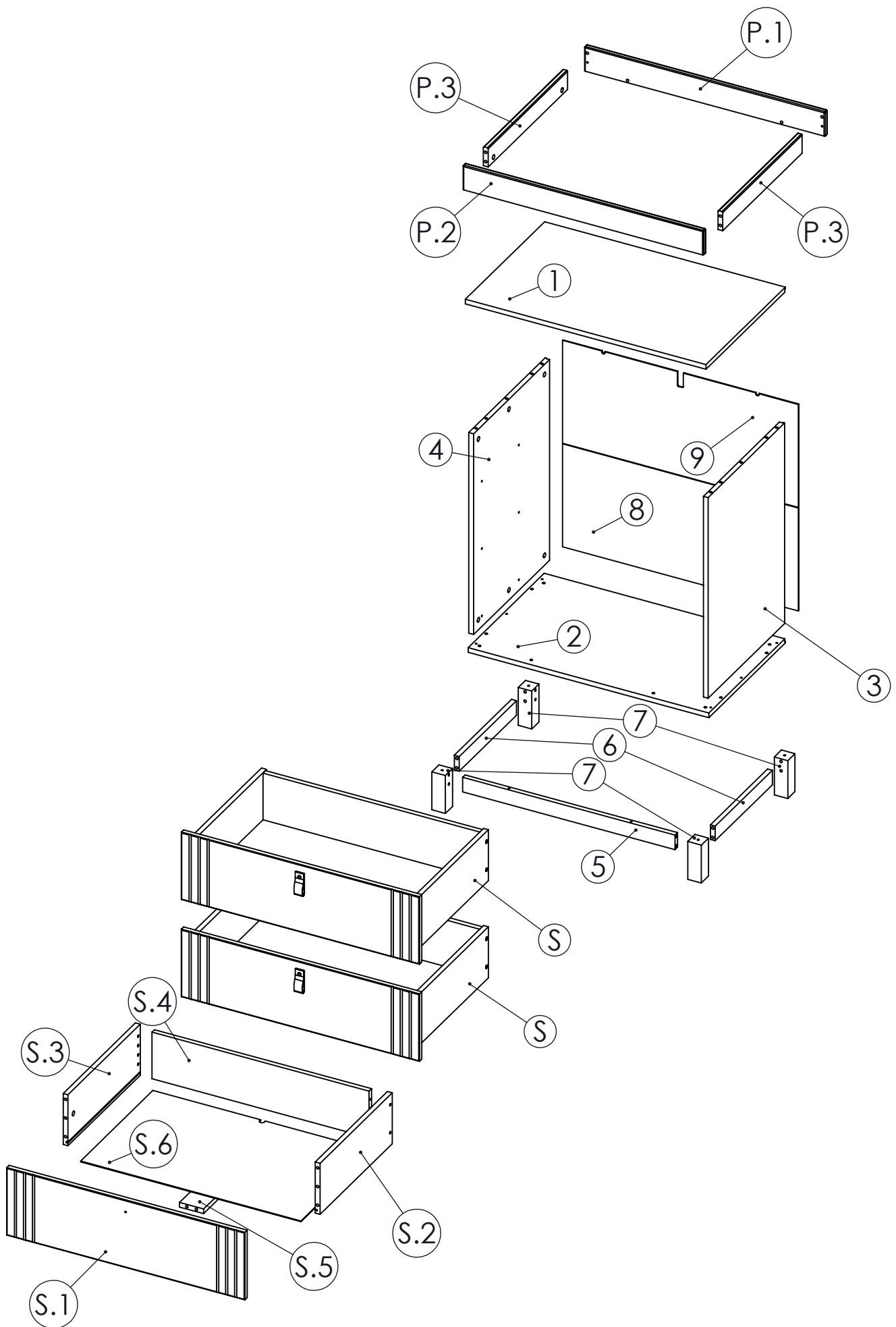
For questions and advice regarding this product please contact CuddleCo Customer services at: [customerservice@cuddleco.co.uk](mailto:customerservice@cuddleco.co.uk) or go to [www.cuddleco.co.uk](http://www.cuddleco.co.uk)

**IMPORTANT! RETAIN FOR FUTURE REFERENCE. READ CAREFULLY**

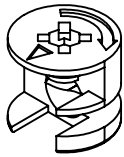
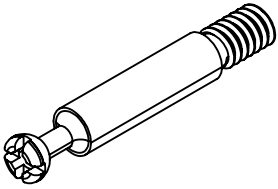
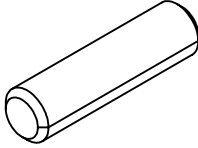
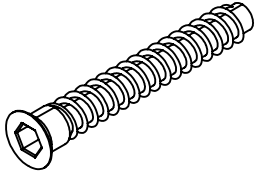
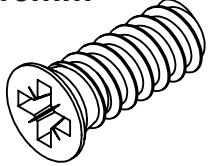
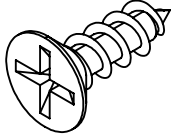
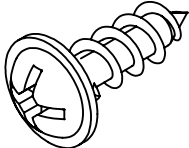
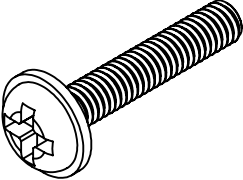
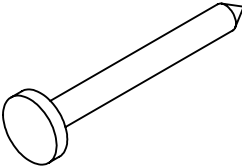
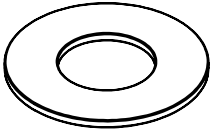
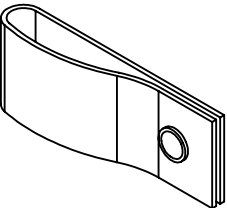
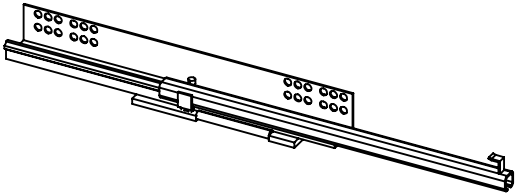
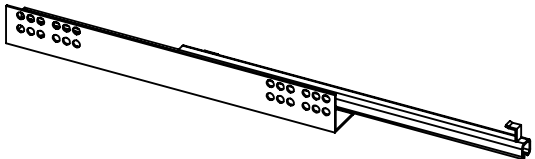
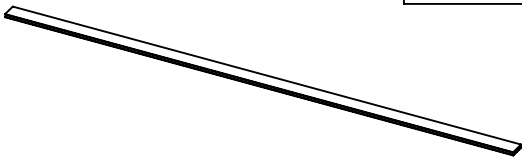
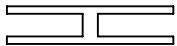
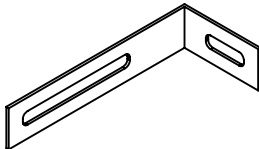
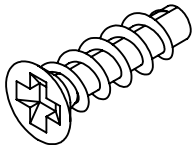
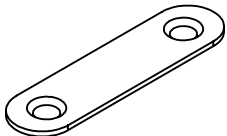
- All assembly fittings should always be tightened properly and checked regularly
- Be aware of the risk of burning cigarettes, open fires, and other sources of strong heat, such as electric bar fires, gas fires, etc. in the near vicinity of the changing unit
- Always leave the unit clean and dry, wipe up spillages immediately. The product may be cleaned with a damp cloth and diluted washing detergent, it should be dried immediately with a soft clean cloth. Do not use abrasives, bleach, alcohol or ammonia based household polishes.
- A changing mat is not supplied with the changing unit. Recommended changing mat size is 75 x 45cm. Lay the mat on the top surface within the retaining barriers
- This changing unit is intended for children up to 12 months old, up to 11kg
- DO NOT use the unit if any part is missing, damaged or broken. Contact CuddleCo Customer services for replacement parts and instructional literature if needed. DO NOT substitute parts.
- Your child's safety is your responsibility
- Young children should not be allowed to play unsupervised in the vicinity of the changing unit
- Furniture can be dangerous if incorrectly installed, assembly should be carried out by a competent person
- Follow the instructions in detail to ensure the safety features of the item are not compromised
- Take care when handling or moving furniture. Careless handling can cause damage
- Keep children away during assembly as pack contains small parts which may present a choking hazard
- Remove all parts from packaging and check against the parts list
- Do not discard any packaging until you are sure you have all parts and the fittings pack
- Assembly of the furniture will be easier with 2 people
- The changing unit is made to conform to safety regulation: BS EN 12221:2008+A1:2013

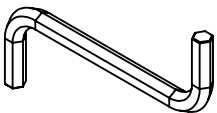
For questions and advice regarding this product please contact CuddleCo Customer services at: [customerservice@cuddleco.co.uk](mailto:customerservice@cuddleco.co.uk) or go to [www.cuddleco.co.uk](http://www.cuddleco.co.uk)

# 4 Parts List



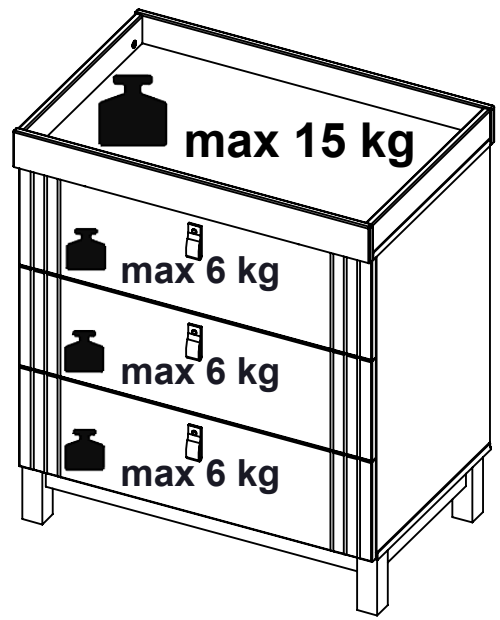
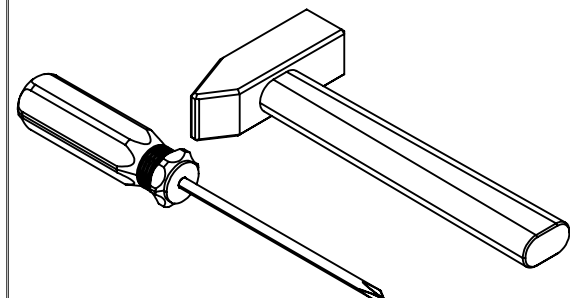
# 5 Fittings List

		8x30mm 	7x50mm 	6x13mm 
<b>A x 25</b>	<b>B x 25</b>	<b>C x 51</b>	<b>D x 23</b>	<b>E x 12</b>
2,5x16mm 	3,5x13mm 	4x22mm 		
<b>F x 6</b>	<b>G x 2</b>	<b>H x 3</b>	<b>I x 37</b>	<b>J x 3</b>
				
<b>K x 3</b>	<b>L1 x 3</b>		<b>L2 x 3</b>	
			4x13mm 	
<b>M x 1</b>	<b>N x 1</b>	<b>O x 4</b>	<b>Q x 2</b>	



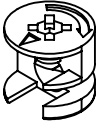
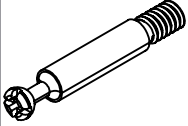
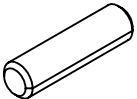
**KEY**

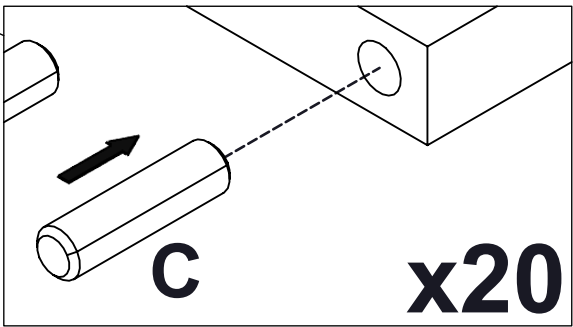
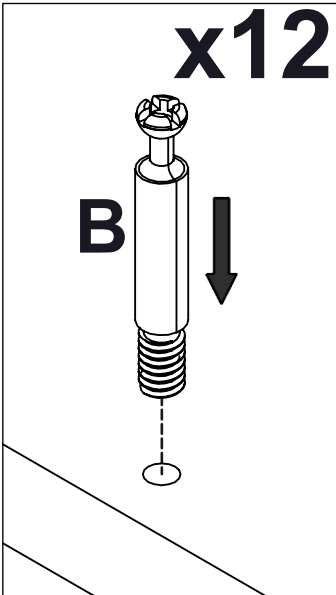
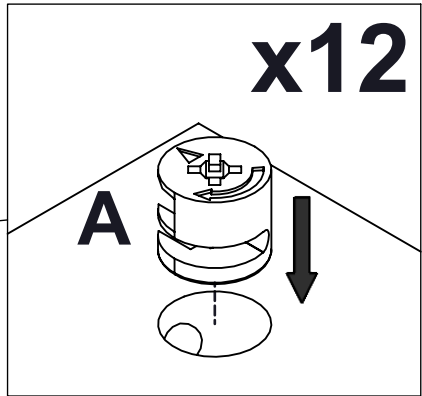
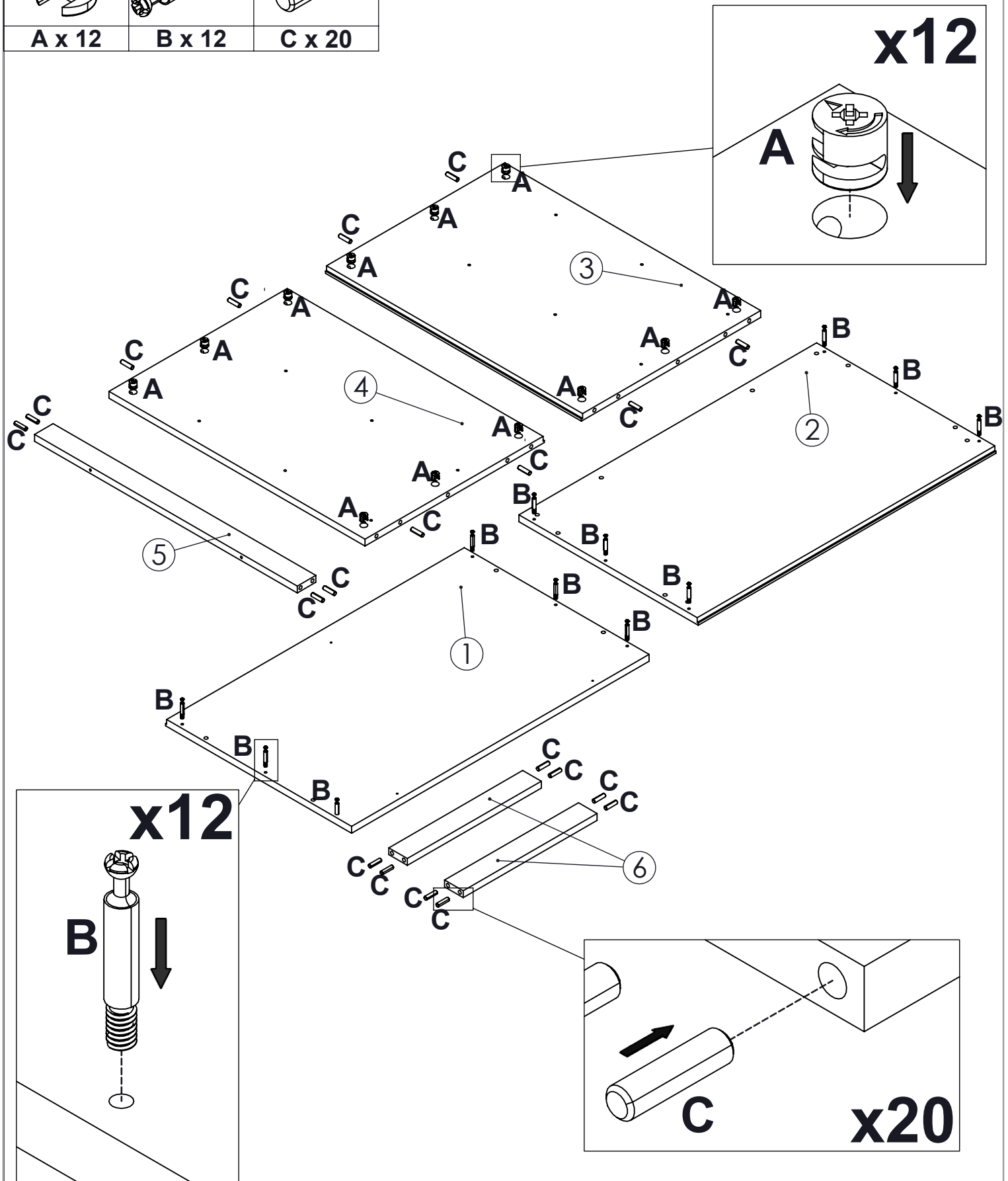
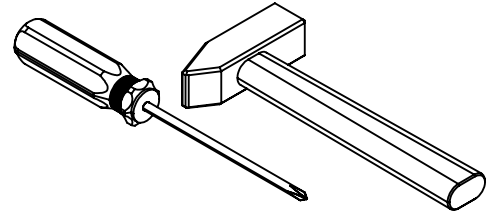
Power tools not recommended  
Tools Required: Not supplied



# 6

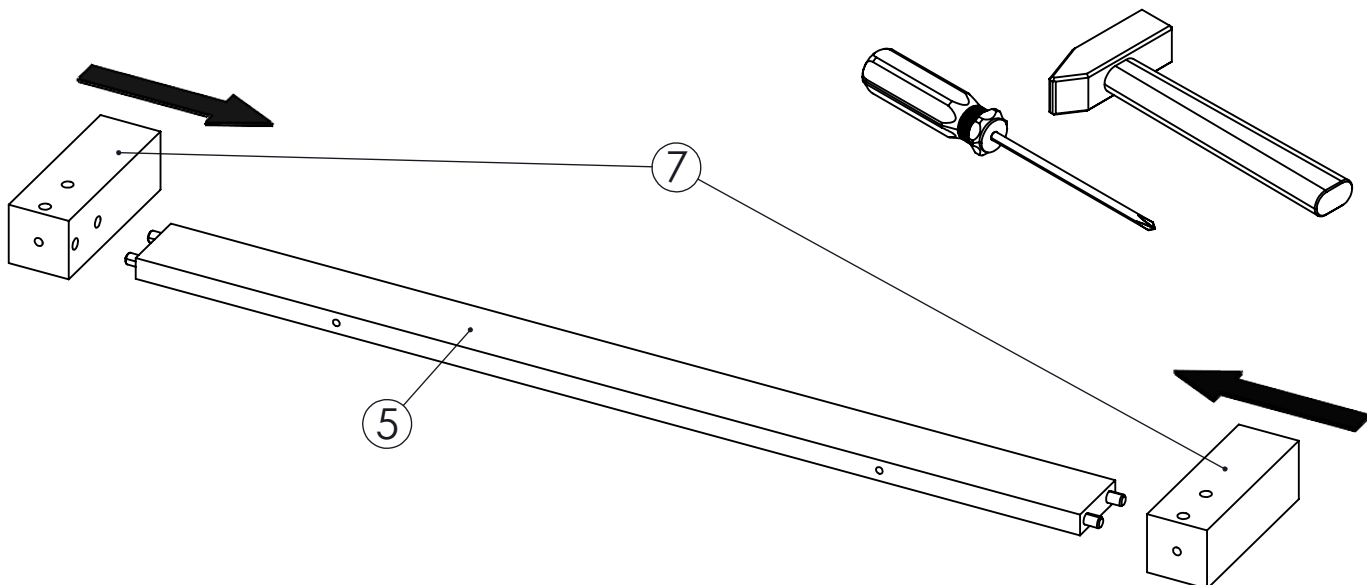
# Dresser Assembly Step-1

		 8x30mm
A x 12	B x 12	C x 20

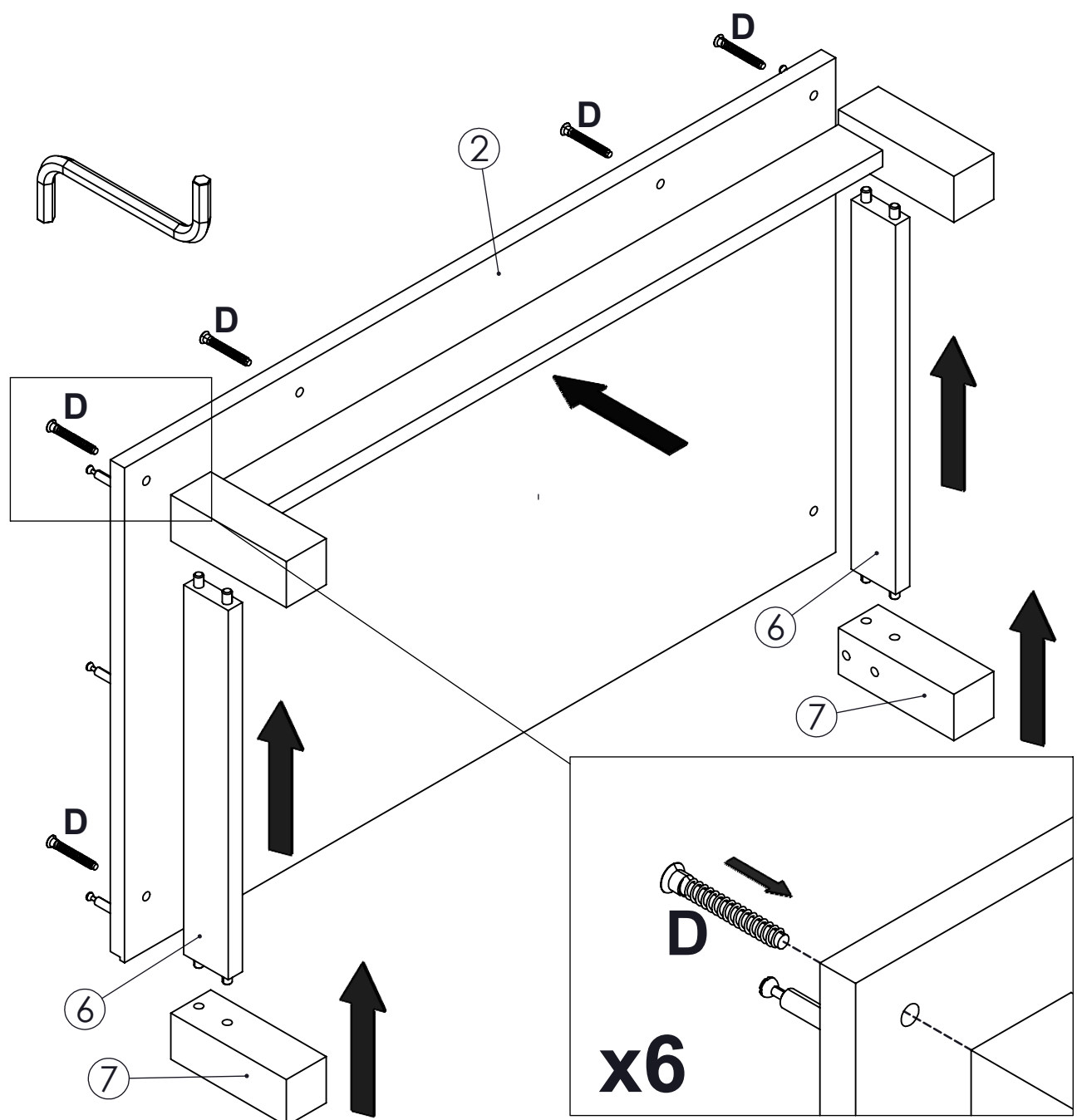


# 7

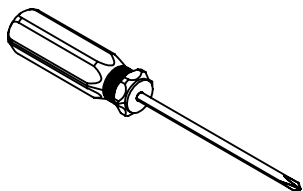
## Dresser Assembly Step-2/3



7x50mm  
D x 6



# 8 Dresser Assembly Step-4

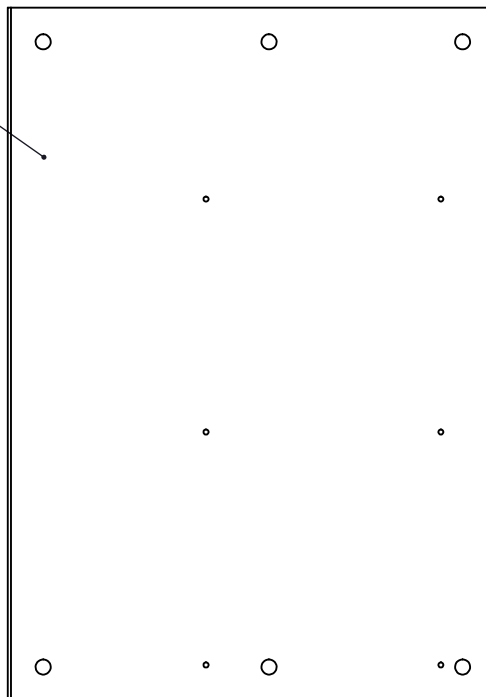


3 / 4

TOP

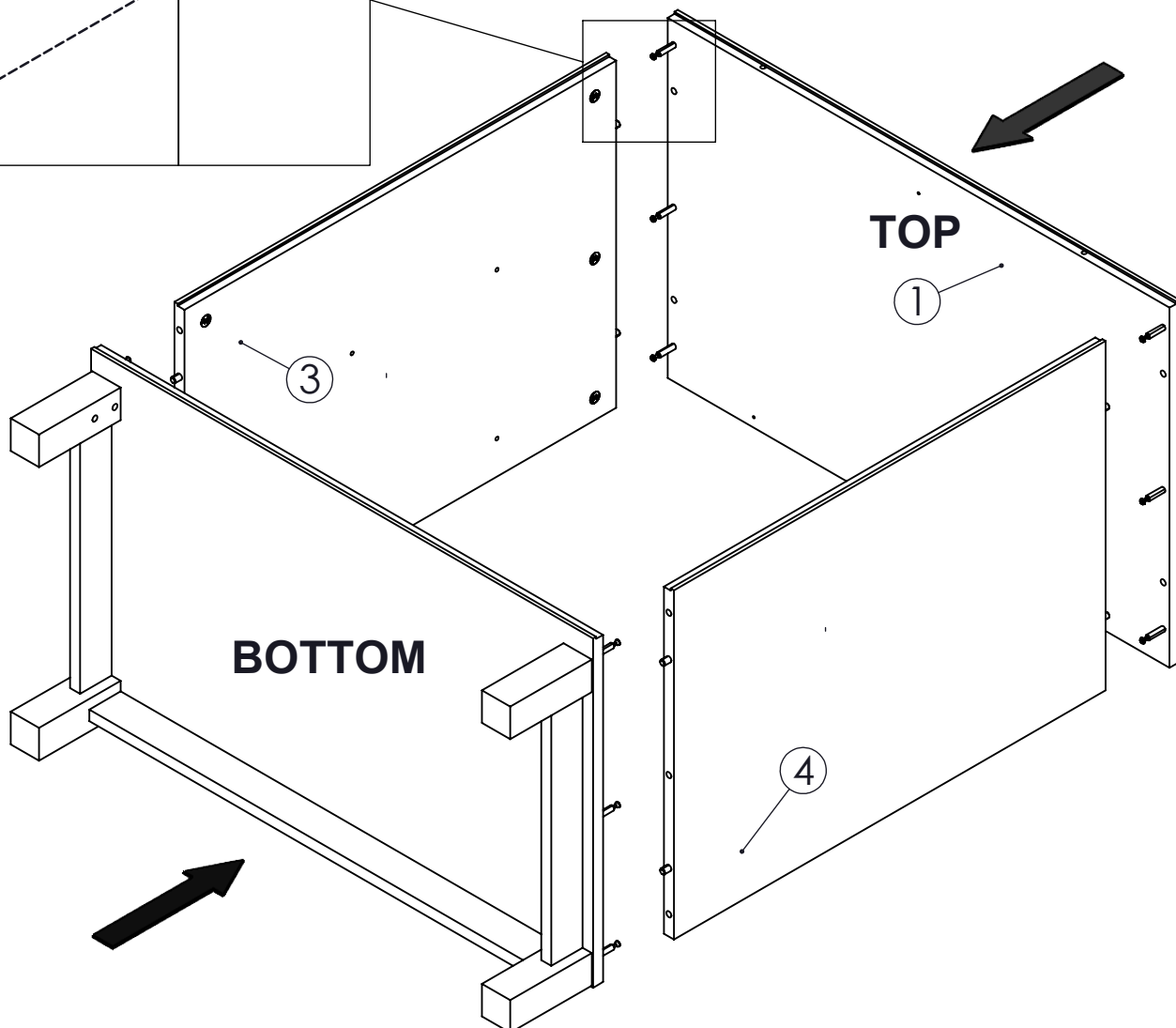
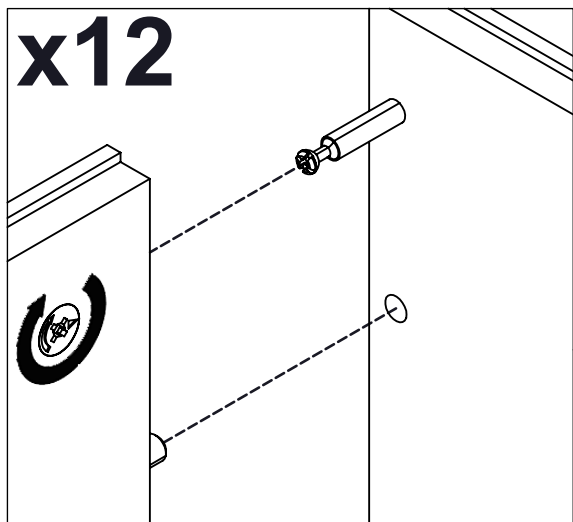
BACK

FRONT

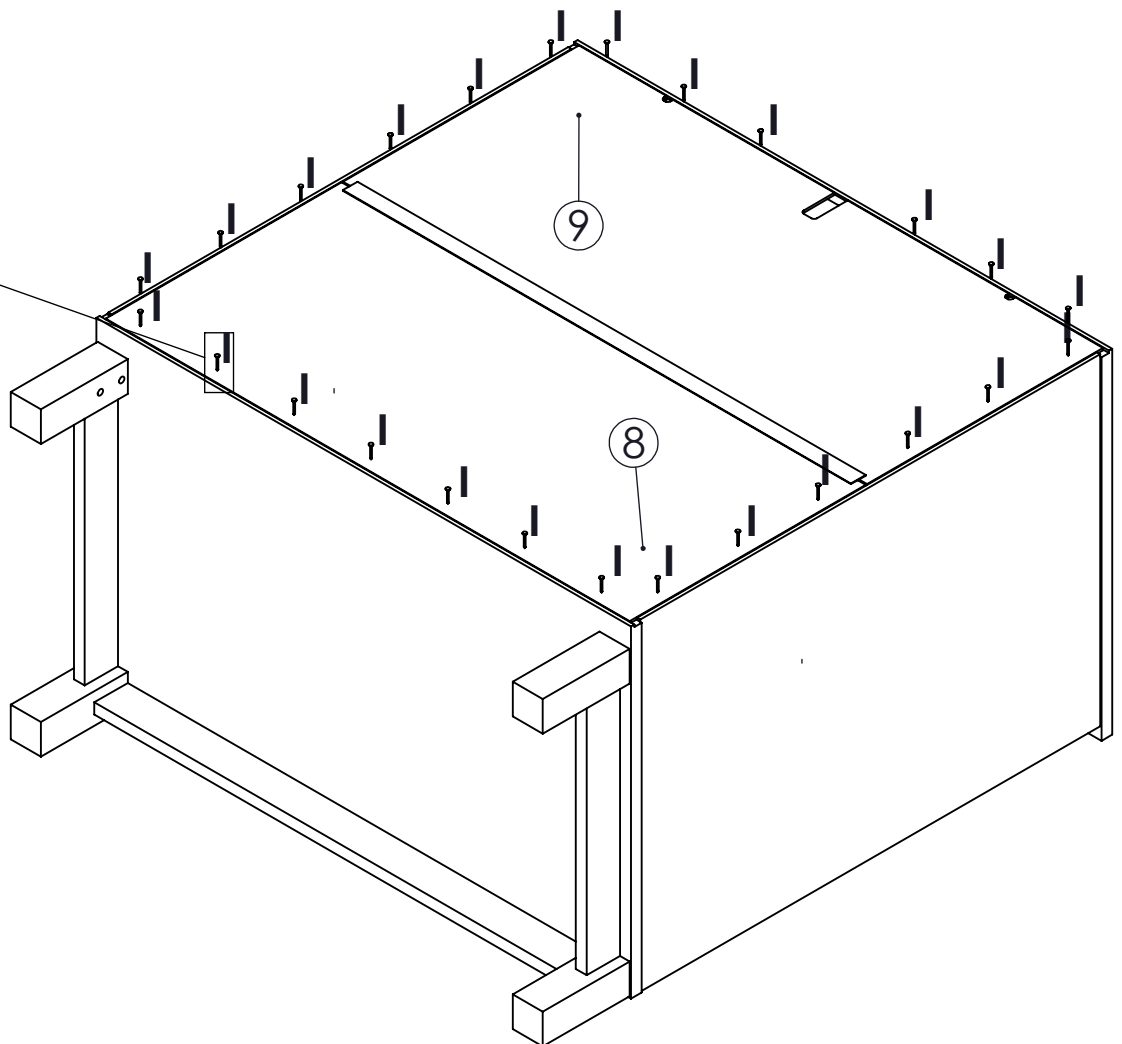
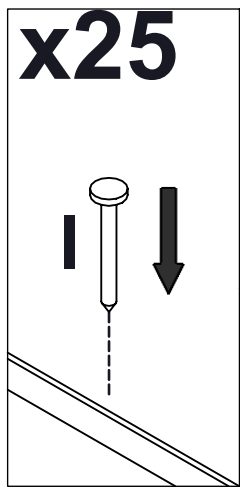
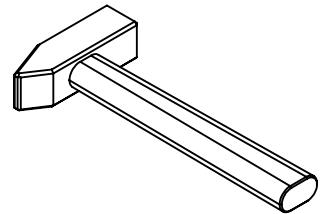
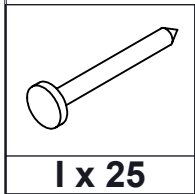
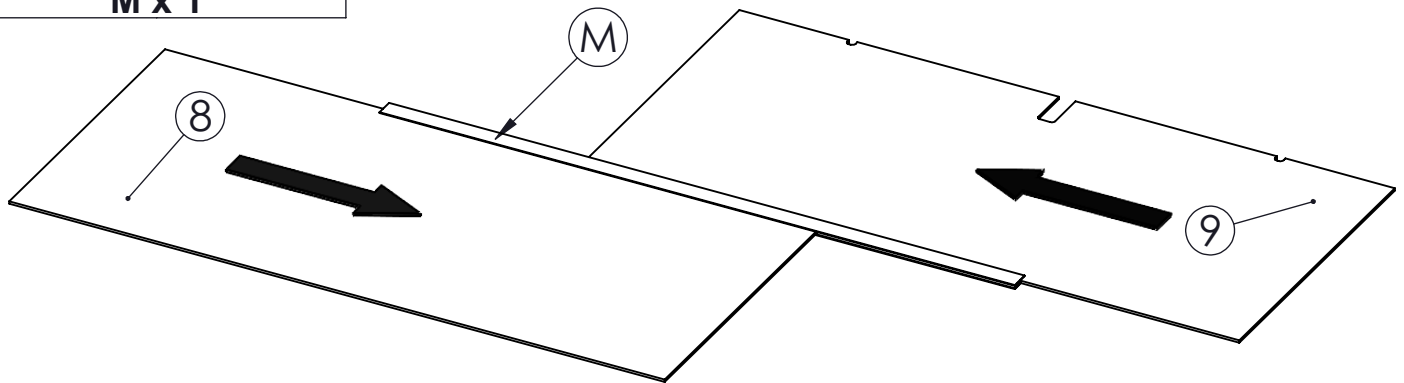
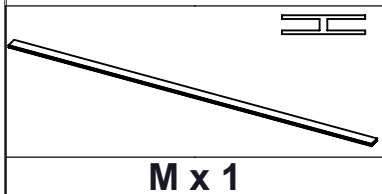


BOTTOM

x12

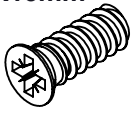




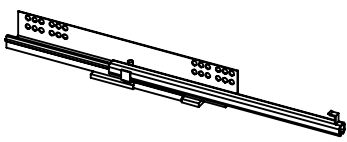


# 10 Dresser Assembly Step-7

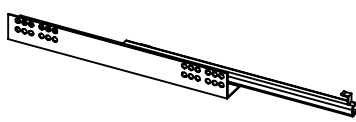
6x13mm



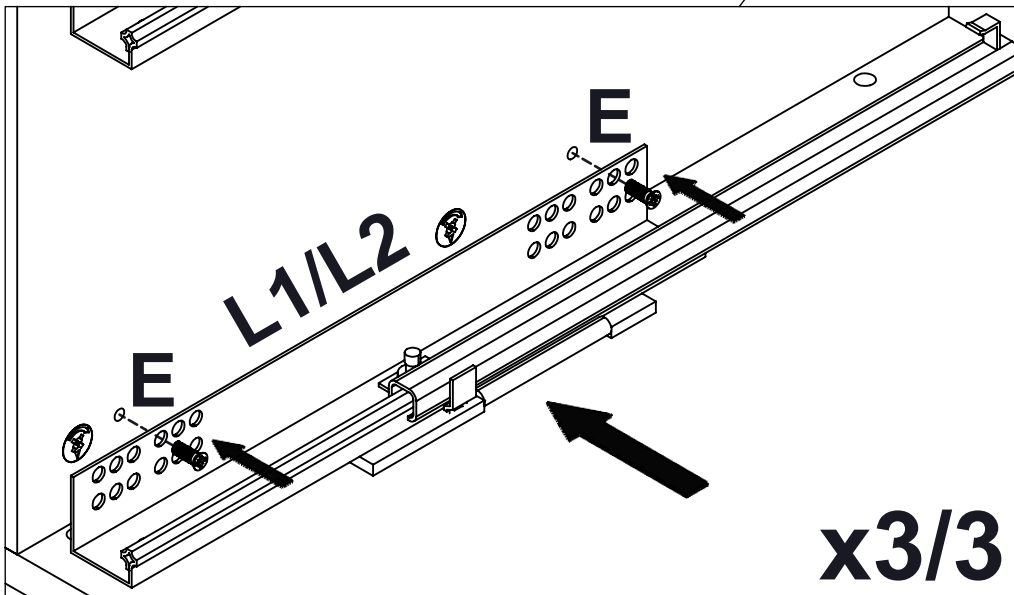
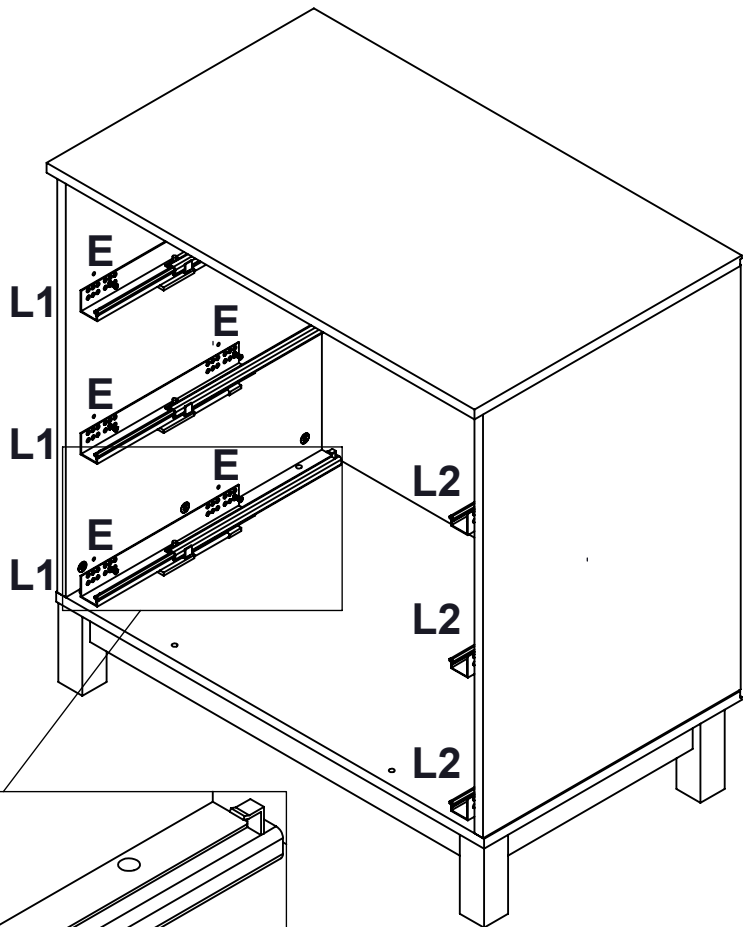
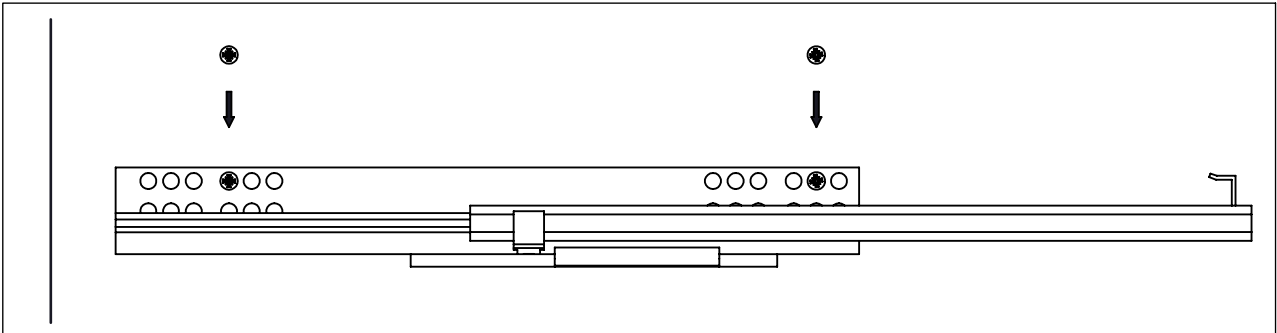
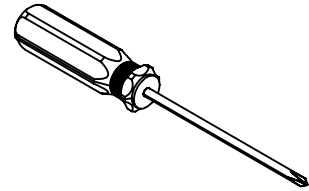
E x 12



L1 x 3



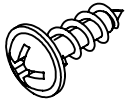
L2 x 3



# 11

## Dresser Assembly Step-8

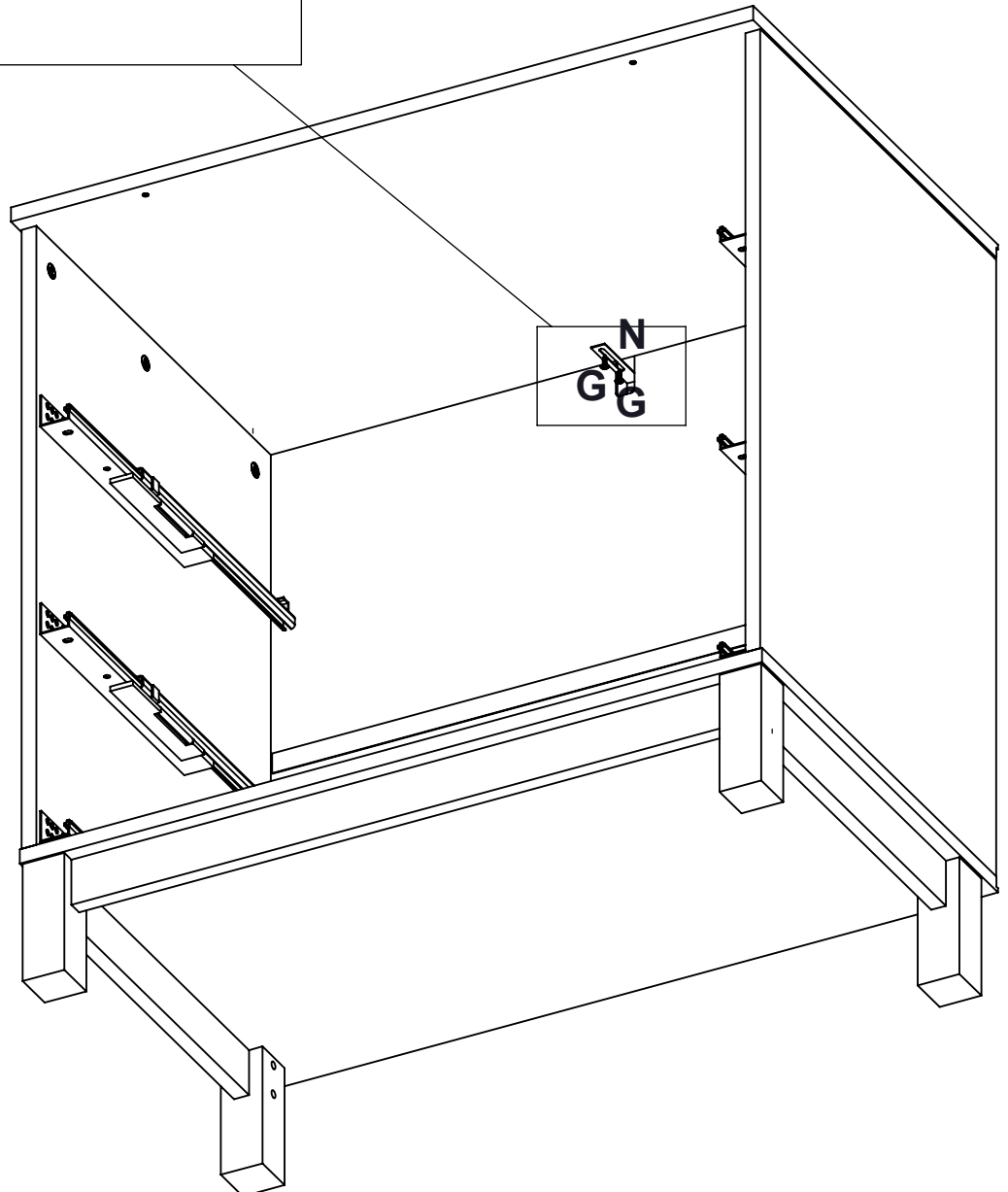
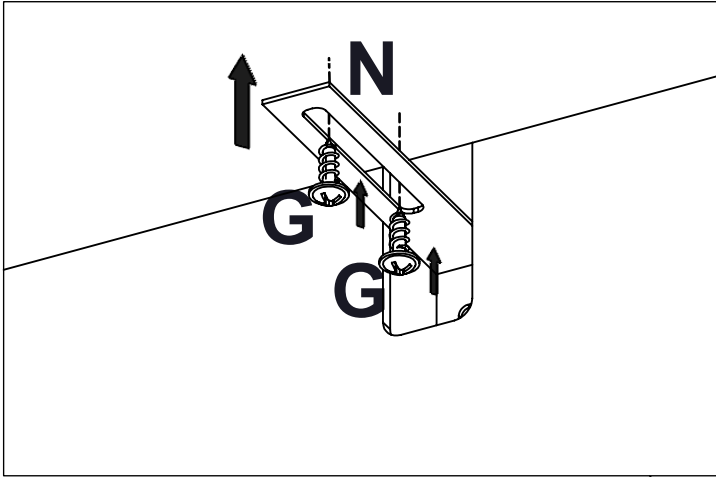
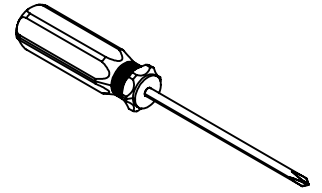
3,5x13mm



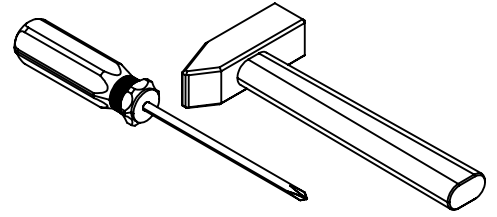
G x 2


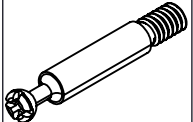
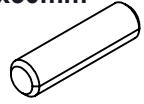


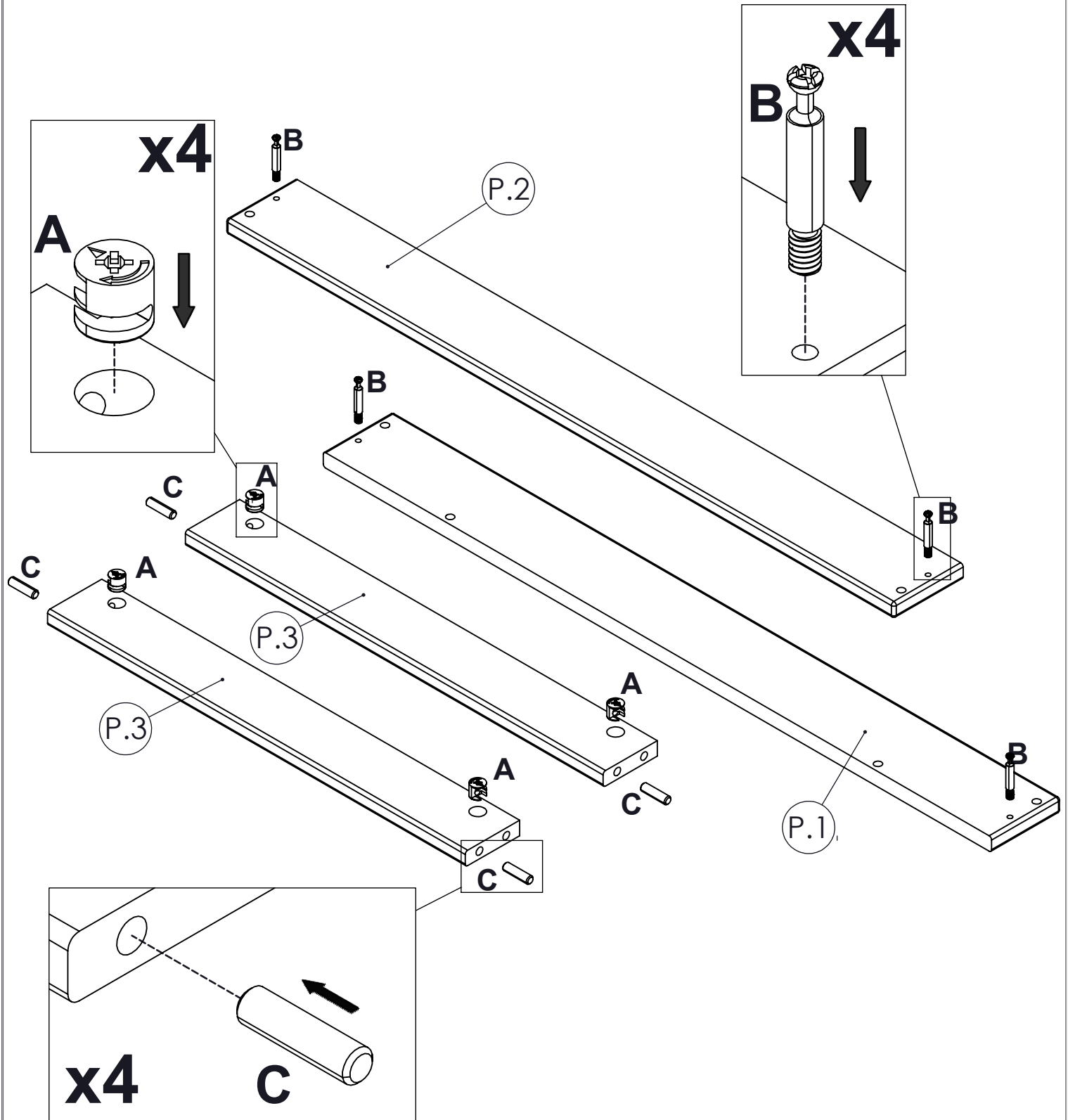
N x 1



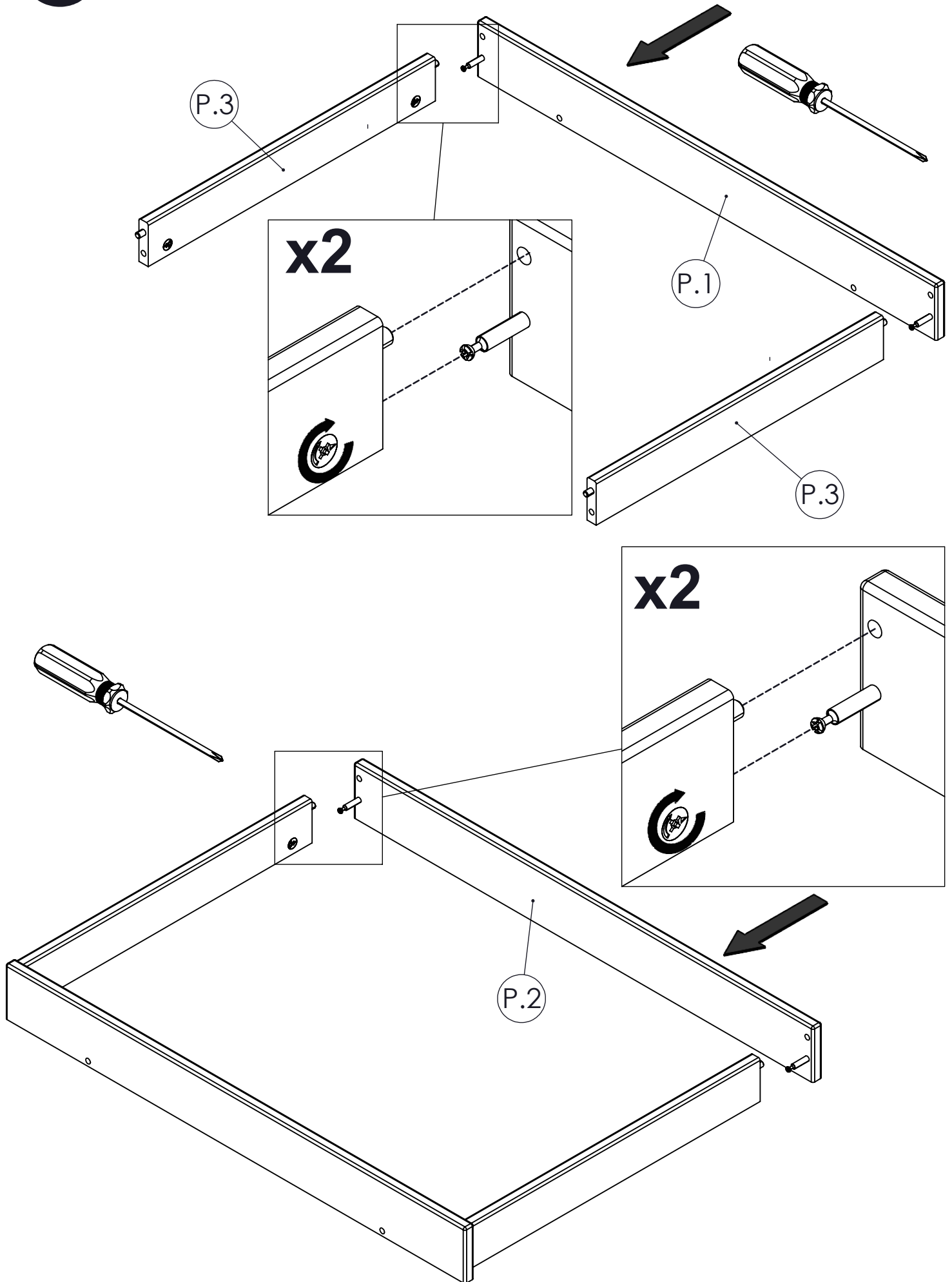
# 12 Dresser Assembly Step-9



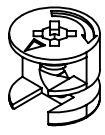
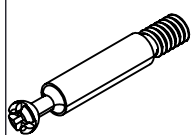

		8x30mm 
<b>A x 4</b>	<b>B x 4</b>	<b>C x 4</b>



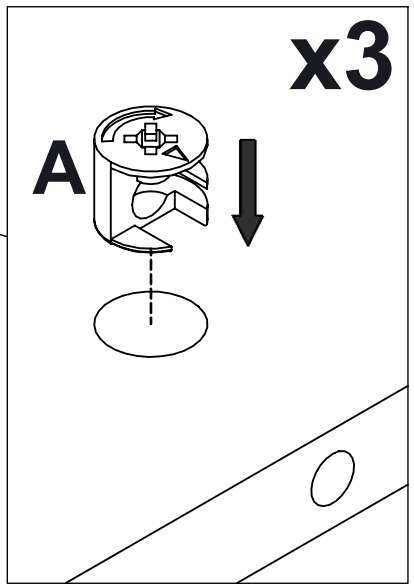
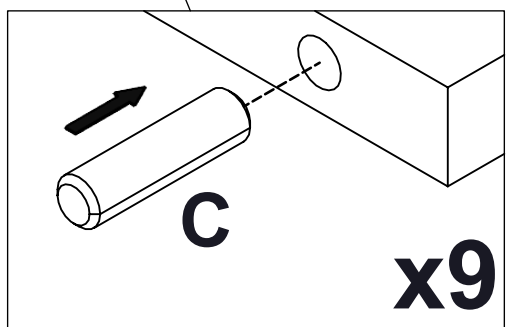
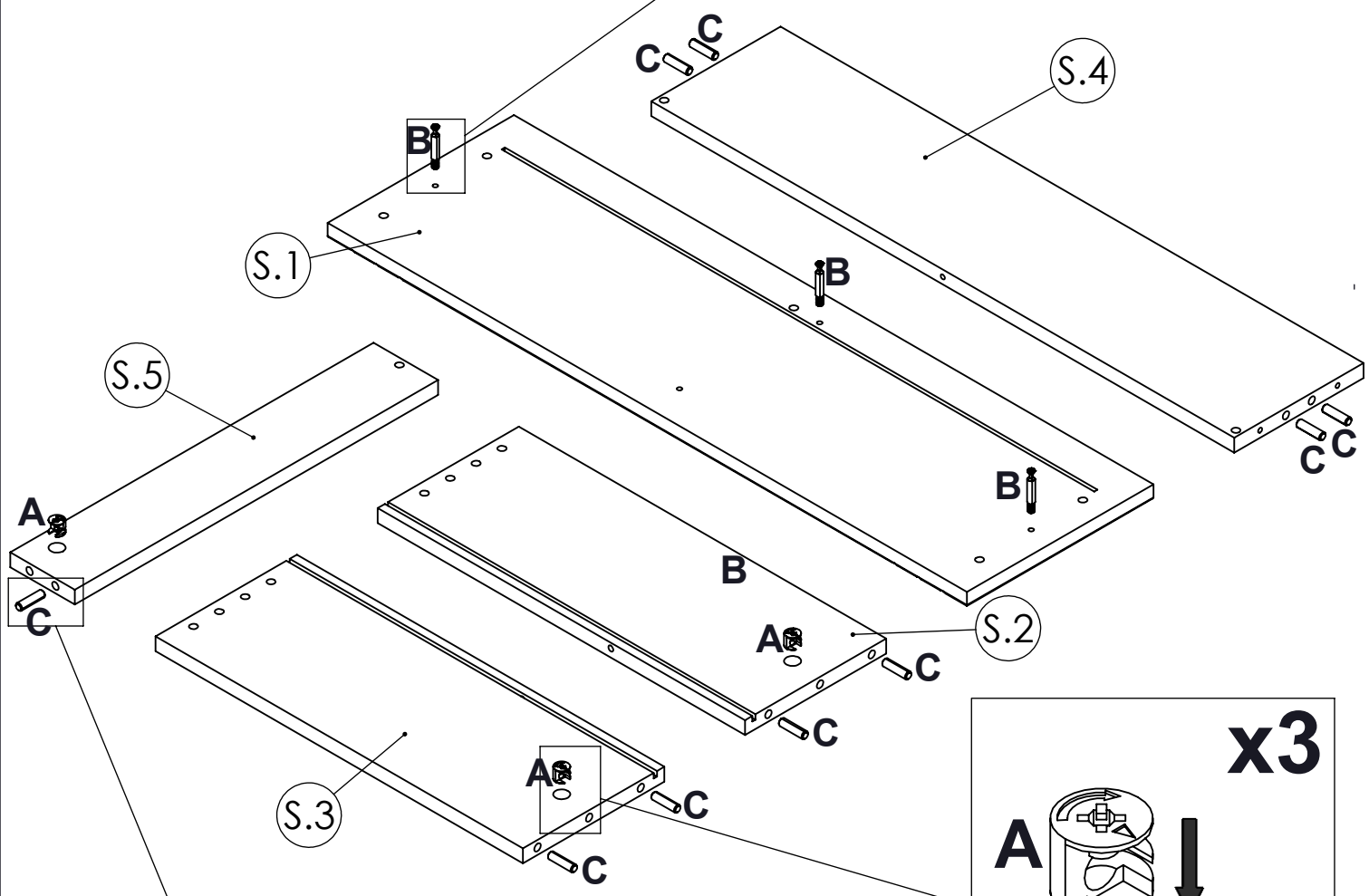
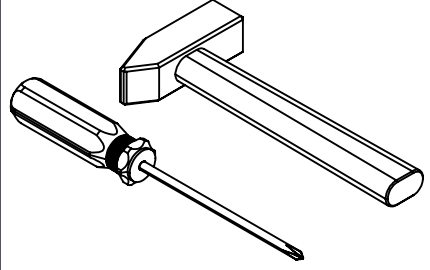
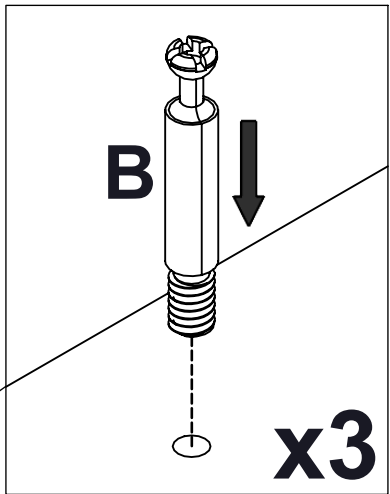
# 13 Dresser Assembly Step-10/11



# 14 Dresser Assembly Step-12

		
<b>A x 9</b>	<b>B x 9</b>	<b>8x30mm</b> <b>C x 27</b>

**x3**



# 15 Dresser Assembly Step-13

7x50mm



D x 12

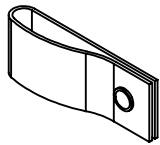
4x22mm



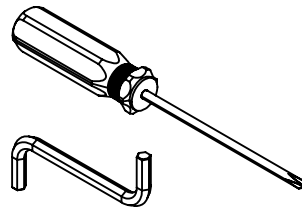
H x 3



J x 3

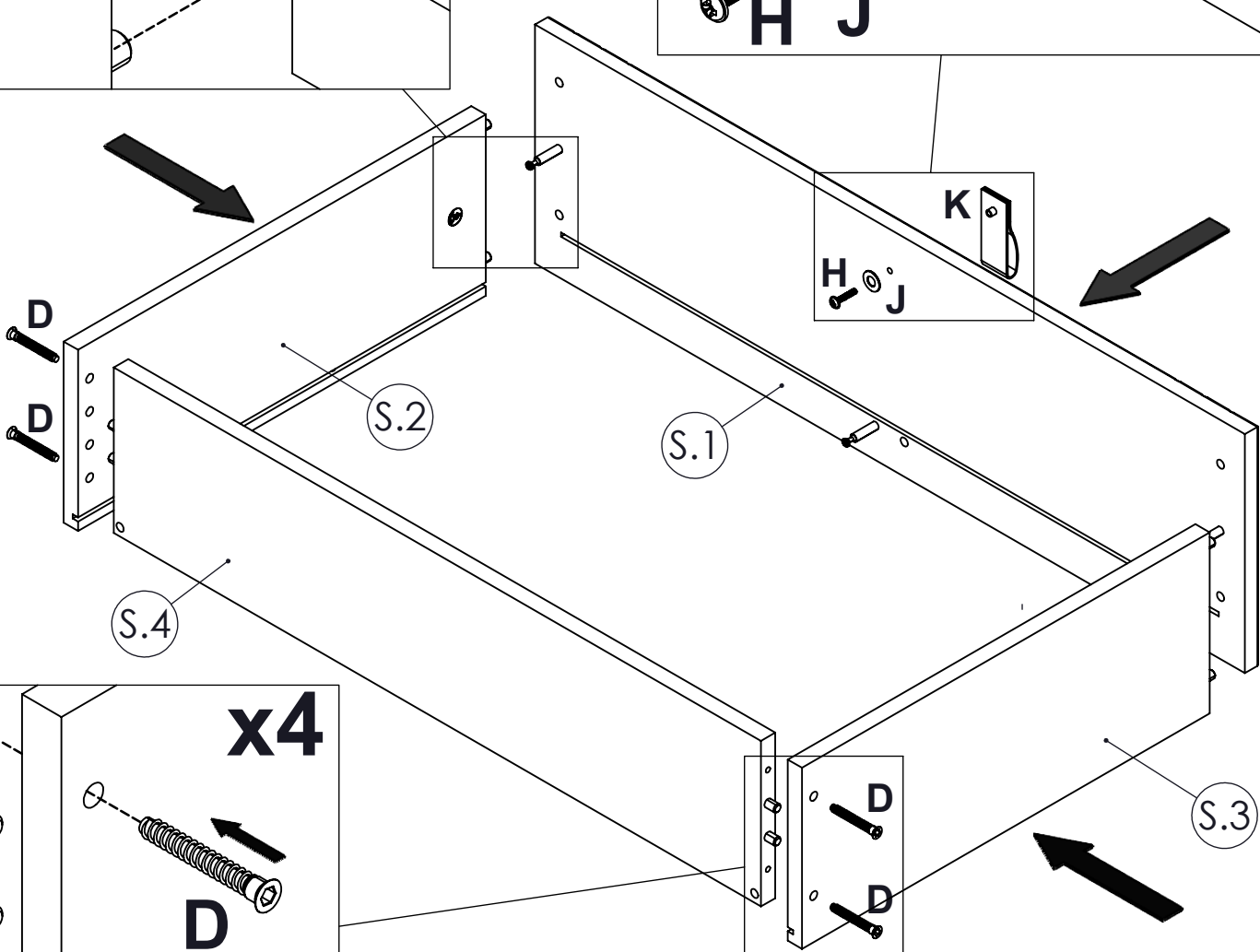
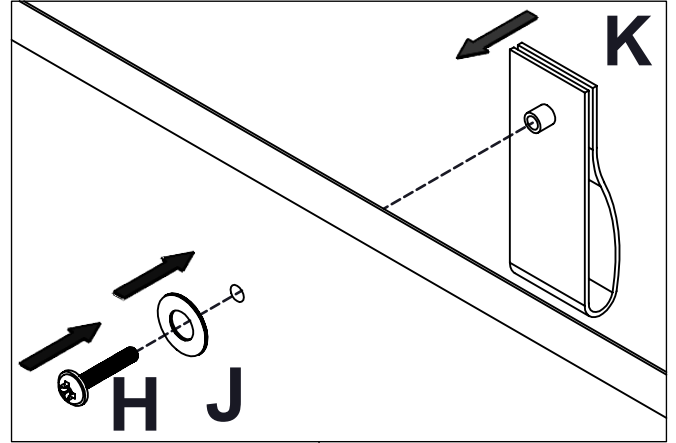
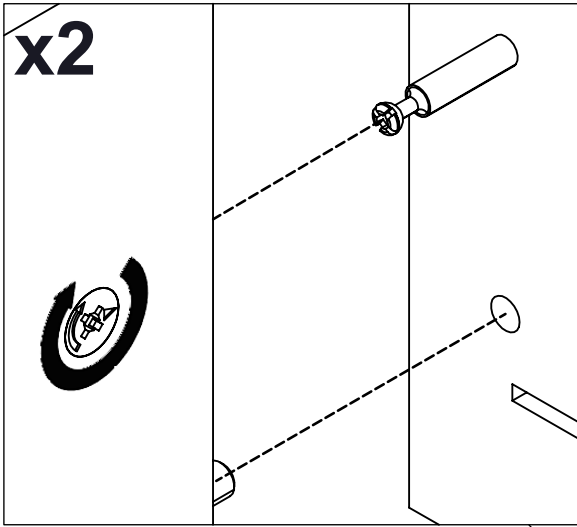


K x 3

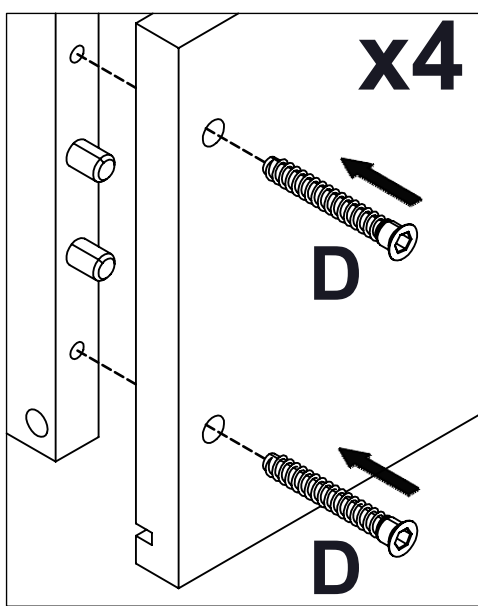


x3

x2

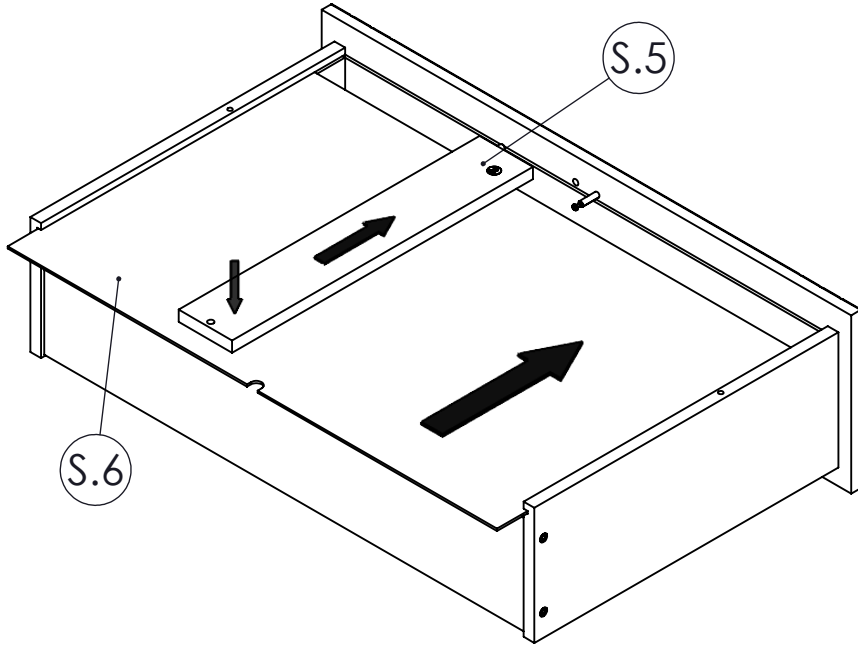


x4

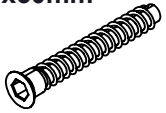


# 16 Dresser Assembly Step-14/15

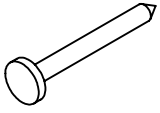
x3



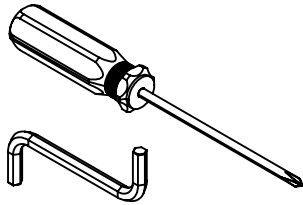
7x50mm



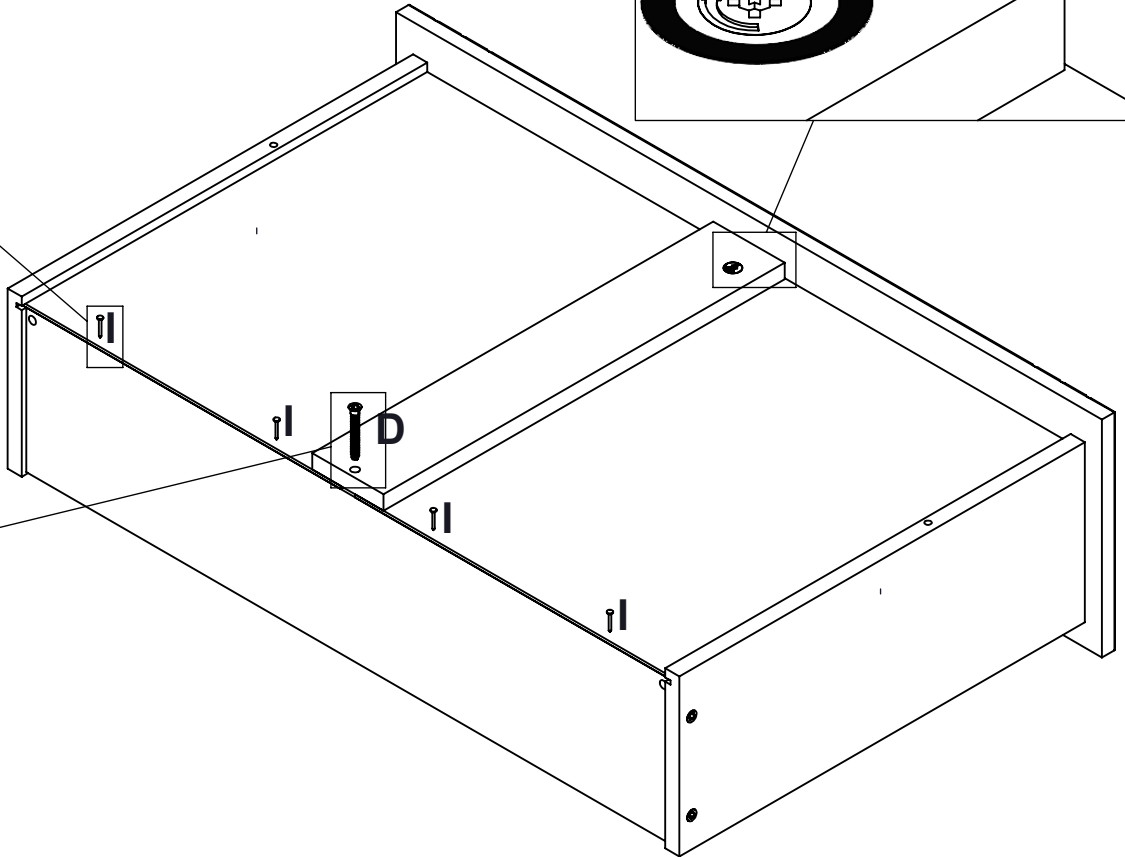
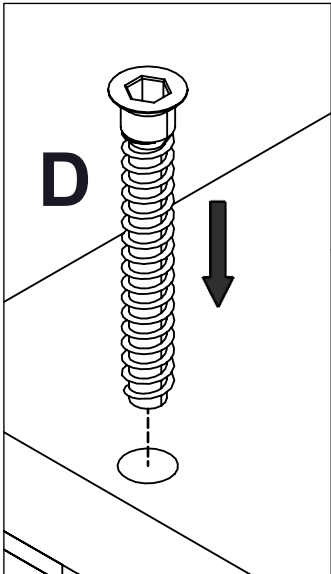
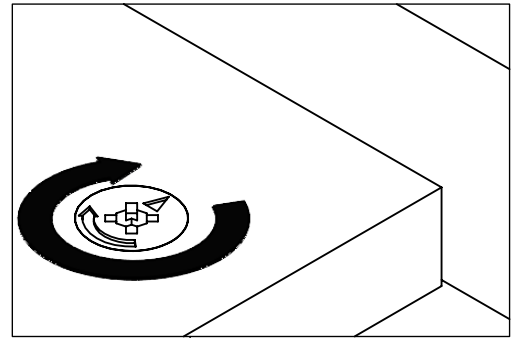
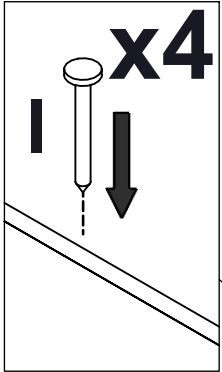
D x 3



I x 12

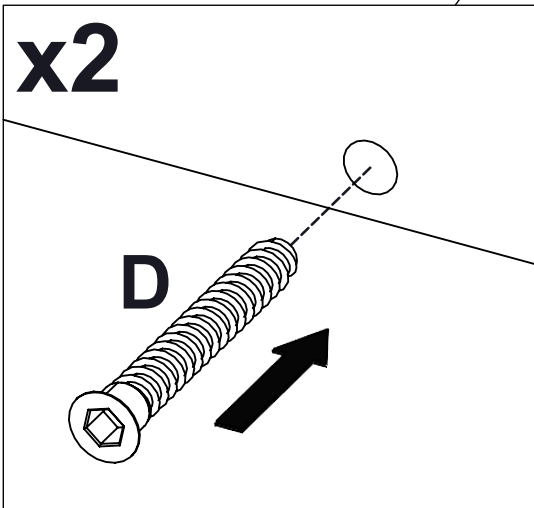
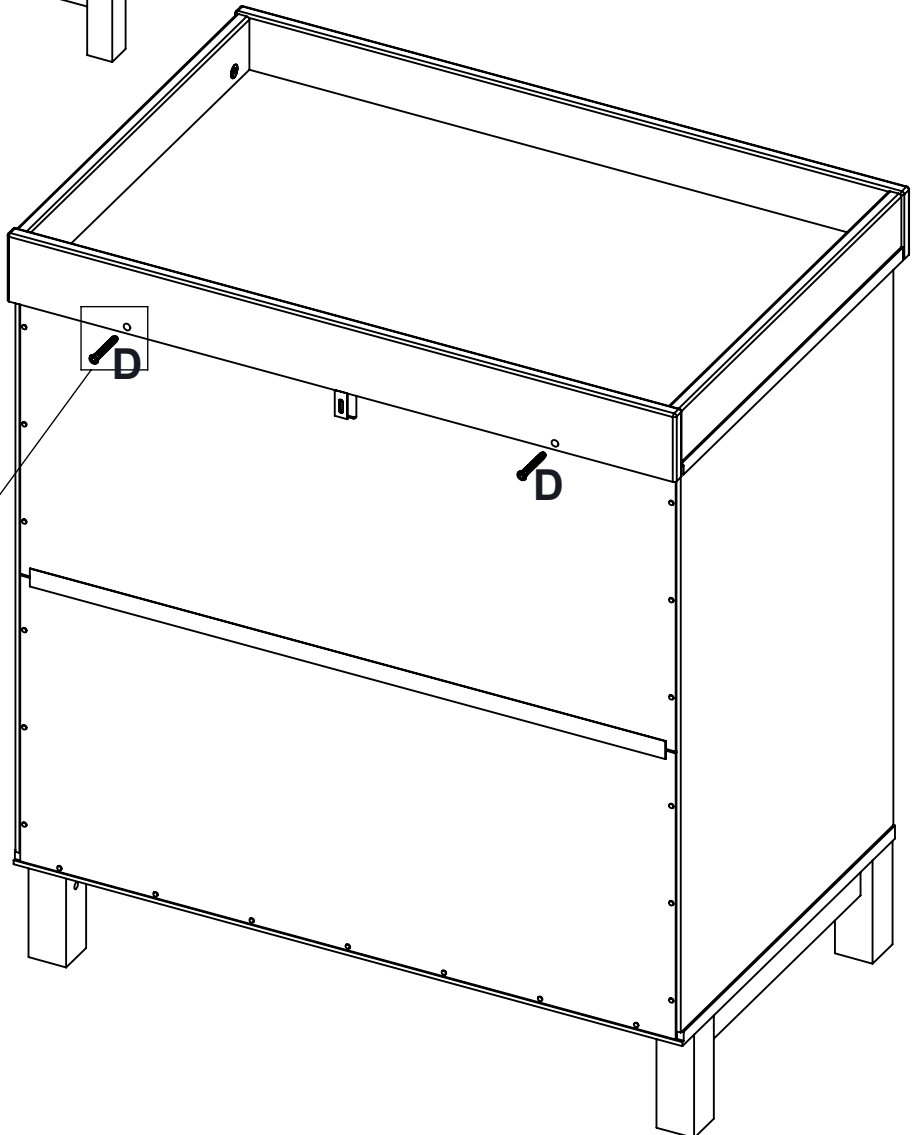
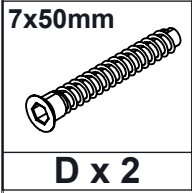
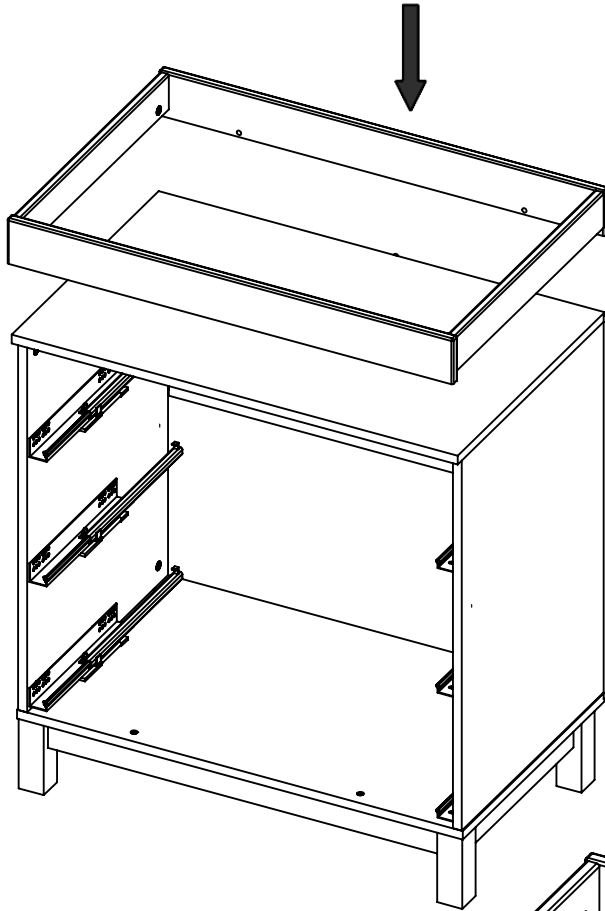


x3

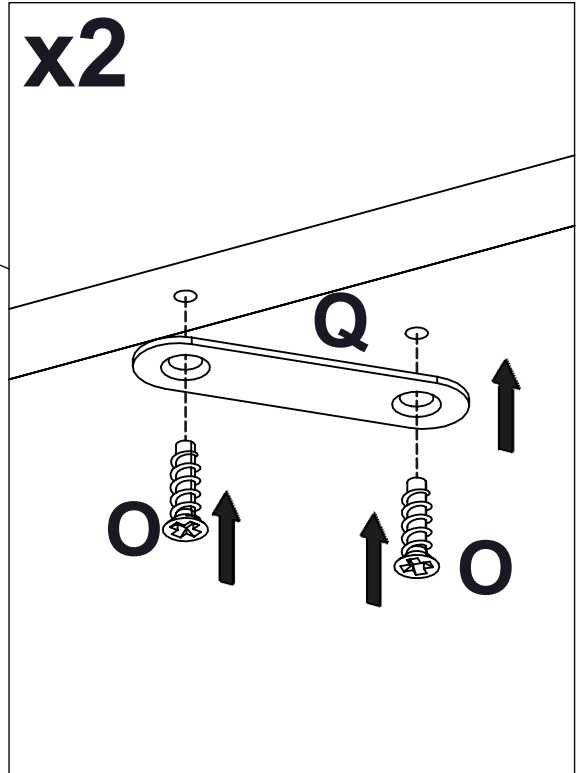
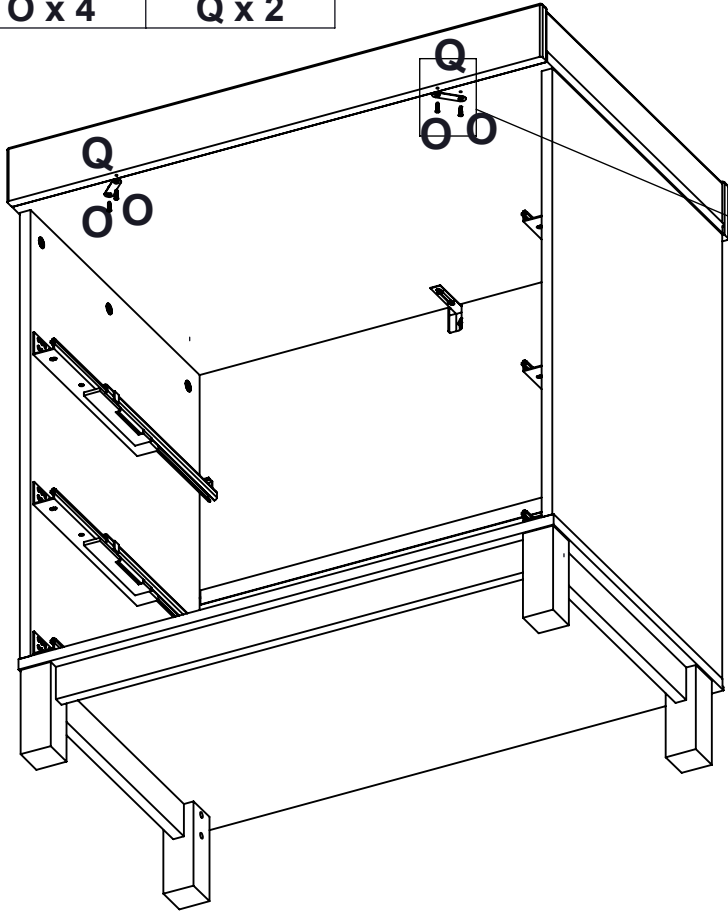
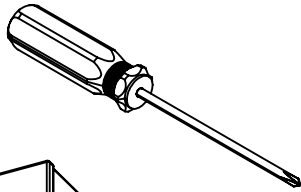
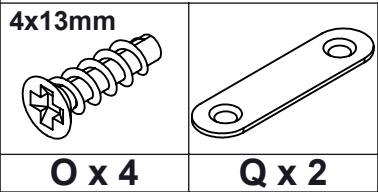




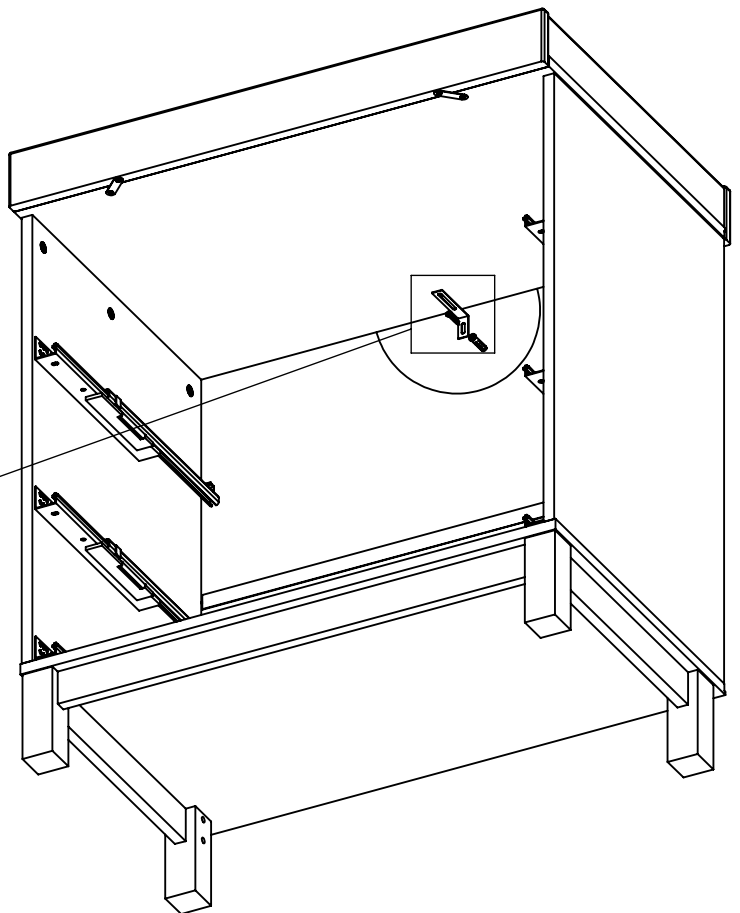
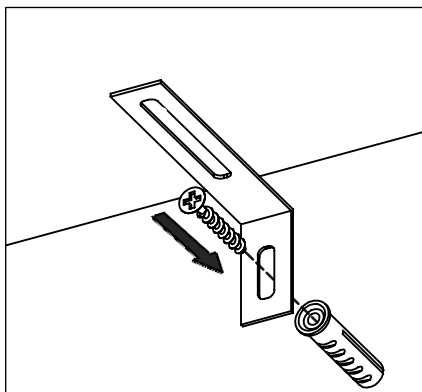
# 17 Dresser Assembly Step-16/17



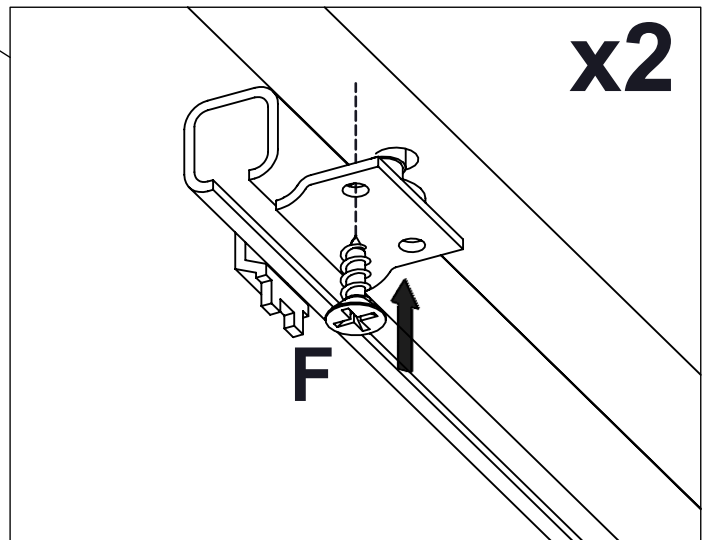
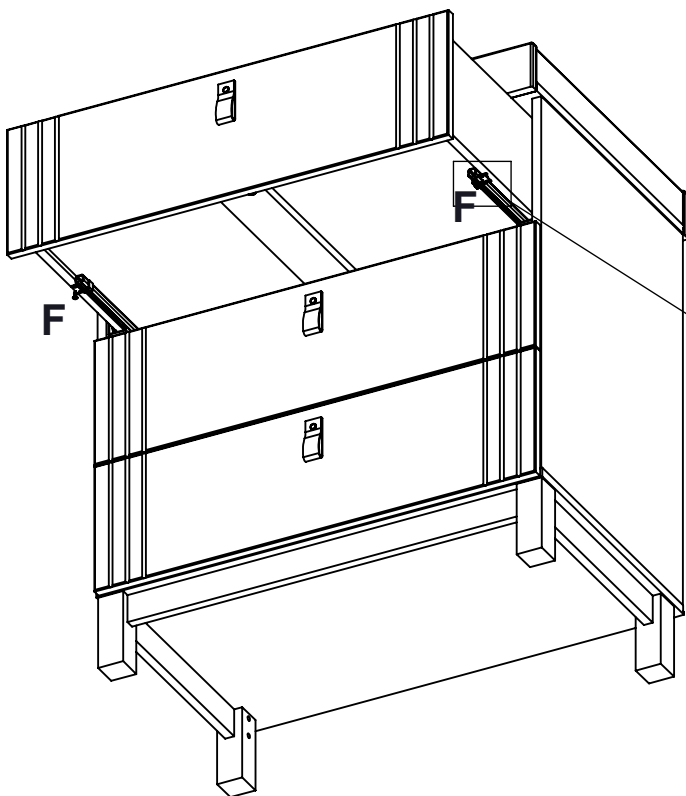
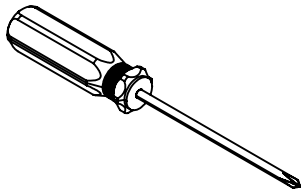
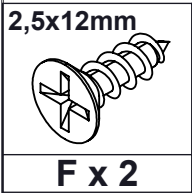
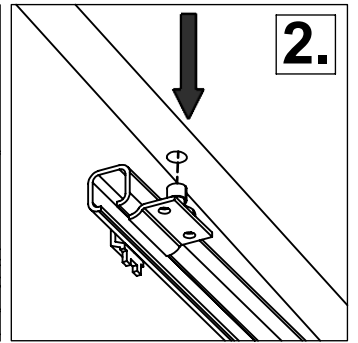
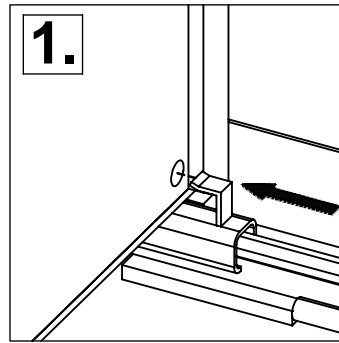
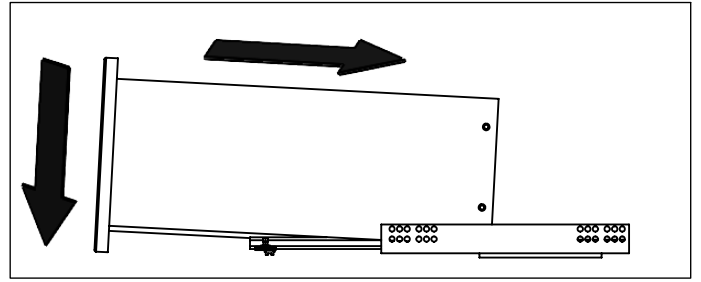
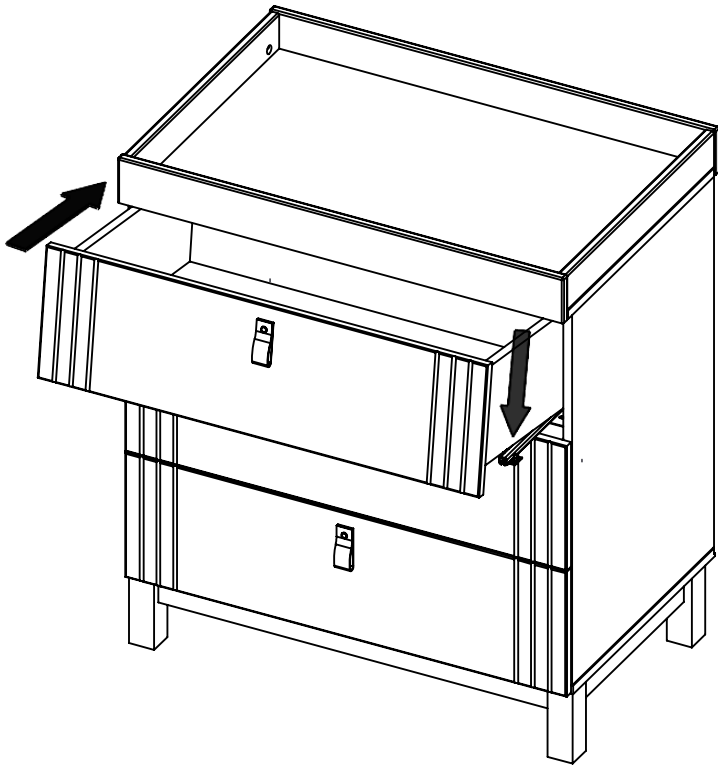
# 18 Dresser Assembly Step-18/19



WALL FIXINGS NOT SUPPLIED,  
USE SUITABLE FIXINGS FOR  
YOUR WALL TYPE



# 19 Dresser Assembly Step-20/21



# CuddleCo®

Visit our website [www.cuddleco.co.uk](http://www.cuddleco.co.uk) for other nursery must haves including mattresses, nursing pillows, blankets etc.

Other brands available on [www.cuddleco.co.uk](http://www.cuddleco.co.uk)

**Mother&Baby**      **doona™**



@cuddlecouk



@cuddlecouk

CuddleCo.2 Brindley Road,  
Trafford Park, Manchester, M16 9HQ