

Day and Night Roller Blind

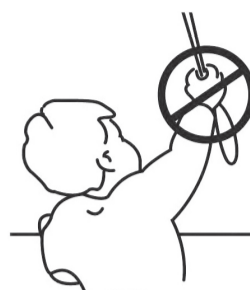
INSTRUCTIONS



www.dunelm.com

← UNFOLD FOR FULL INSTRUCTIONS →

CHILD SAFETY WARNING



- Young children can be strangled by loops in pull cords, chains, tapes and inner cords that operate the product.
- To avoid strangulation and entanglement, keep cords out of the reach of young children.
- Cords may become wrapped around a child's neck. Move beds, cots and furniture away from window covering cords.
- Do not tie cords together.
- Make sure cords do not twist and create a loop.

PERSONS IN CHARGE OF CHILDREN ARE ULTIMATELY RESPONSIBLE FOR FOLLOWING THE SAFETY INSTRUCTIONS PROVIDED BY THE MANUFACTURER AND TO USE ANY SAFETY DEVICE SUPPLIED.

The installation can be completed by non-professionals.

Safety Recommendations

- Always use a Step Ladder when working at height.
- We recommend you use two people for the installation of larger blinds.
- DO NOT over reach. DO NOT hold or lean on the blind to support your weight. Always move the Step Ladder so that you are in a safe working position.
- Take care when using power tools, use of a Residual Current Device (RCD) is recommended. Always use eye protection when drilling. Beware of hidden pipe runs and cables.
- No liability will be accepted for damage or injury caused by incorrectly installed or assembled product.

PLEASE KEEP OUT OF THE REACH OF YOUNG CHILDREN. SMALL PARTS - CHOKING HAZARD.

Please keep these instructions and batch code from packaging for future reference.

www.dunelm.com

Important



Important Safety Instructions

Read these instructions carefully before installing this blind. Keep these instructions for future reference.



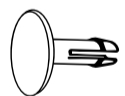

Blind head rails should not be installed less than 1.5m from the floor.

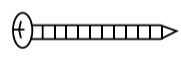
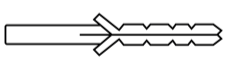

Small parts can present a choking hazard if accidentally swallowed. Keep small parts away from young children.

Ensure that all wall plugs and screws provided are suitable for your type of wall/window. If in doubt consult a professional.

This blind is maintenance-free.

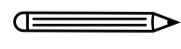
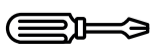
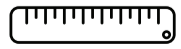
Kit content


Visual	Qty
 Blind with fitted head rail	1
 Bottom bar	1
 Bottom bar end plugs	2
 Wall brackets	2

Visual	Qty
 Screws	3
 Wall plugs	3
 Child safety device (P Clip)	1

Please note that this is the minimum kit content. For wider width blinds, there will be additional brackets, screws and wall plugs.

Tools required

Visual	Qty
 Pencil	1
 Screwdriver	1
 Ruler/tape measure	1

Visual	Qty
 Drill	1

Installation Guide

Fitting Brackets

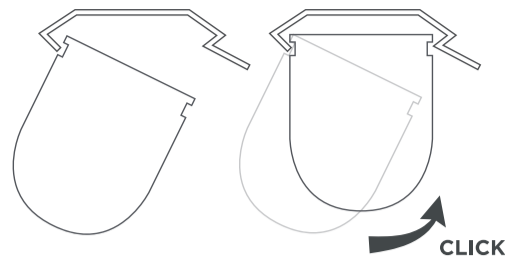
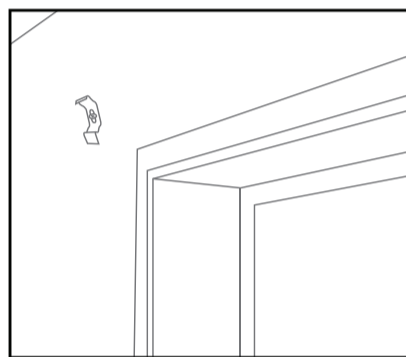
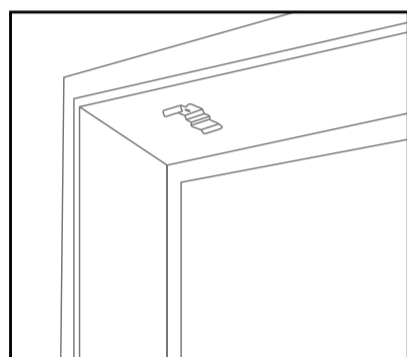
You can fit your blind inside your window recess or outside depending on how the blind is positioned.

A. Inside the recess

1. Position your brackets so screwed into the top of your window recess.
2. The brackets should be spaced so that they are least 8cm inside from the end of the head rail when the blind is installed.
3. Make sure the brackets are oriented so that the lip faces outwards as shown for easy installation.
4. Mark the screw holes with a pencil
5. Drill the holes.
6. Fix wall plugs into the holes, add the brackets and then screw into place.

B. Outside the recess

1. Position your brackets so at least 5cm above the recess and 5cm to the side to give good window coverage.
2. The brackets should be spaced so that they are least 8cm inside from the end of the head rail when the blind is installed and that they are level.
3. Make sure the brackets are oriented so that the lip faces downwards as shown for easy installation.
4. Mark the screw holes with a pencil.
5. Drill the holes.
6. Fix wall plugs into the holes, add the brackets and then screw into place.



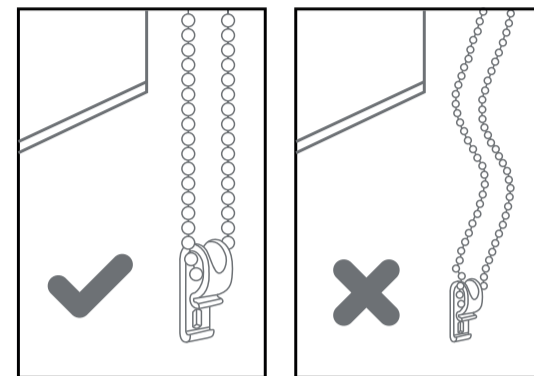
Fitting the blind

1. Now the brackets are in place, you can fit the blind.
2. Hook the head rail onto the back of the bracket.
3. Push upwards to slot the blind into place on the front of the bracket and secure.
4. Insert the clear plastic end plugs into either end of the bottom bar. Place the bottom bar across the looped fabric at the bottom of the blind.

Installing the Child Safety Device

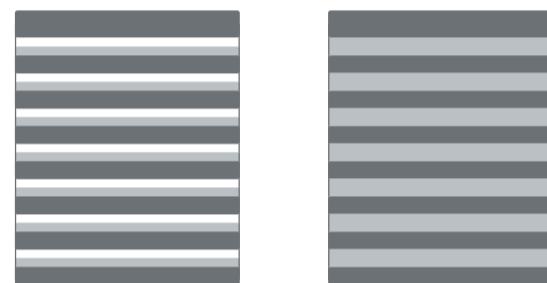
Children can strangle if this device is not installed. Read the instructions carefully and install accordingly. Always use this device to keep cords or chains out of reach of children.

The device must be installed at the maximum distance possible from the control mechanism to prevent the chain loop being slack.



Operating the blind

1. The blind will now operate by pulling on the beaded cord to raise and lower it.
2. Depending on the degree of raising and lowering, the panels will either overlap to block light out, or allow light through.



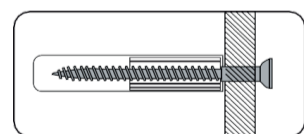
Care advice

Wipe clean only.

Note Modification of the design or configuration of the blind or its integral or non-integral component parts shall not be made without consulting the manufacturer. Use of the additional safety device helps reduce the risk of strangulation but cannot be considered completely fool proof.

Wall fixings

Step by step



Important

When drilling into walls always check there are no hidden wires or pipes etc. Make sure that the screws and wall plugs being used are suitable for supporting your blind. Consult a qualified tradesperson if you are unsure.

Hints

1. General Rule; Always use a larger screw and wall plug if you are not sure.
2. Ensure you use the recommended drill bit to match the wall plug and hole size.
3. Ensure you drill the hole horizontally, do not force the drill or enlarge the hole.
4. Take extra care when drilling high walls, ceilings and ceramic tiles. Ensure the plug is fitting below the ceramic tile to avoid splitting or cracking.
5. Ensure wall plugs are well fitted and are a tight fit in the drilled hole.

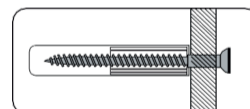
Wall fixings

Types of Walls

You can use one of the following types of wall plug if your walls are made of brick, breeze block, concrete, stone, wood or plastic board.

1. STANDARD Wall Plug

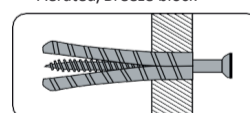
General wall materials



These come in various sizes and are made from plastic or sometimes wood fibre.

2. GENERAL PURPOSE Wall Plug

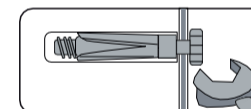
Aerated/Breeze block



Generally aerated blocks should not be used to support heavy loads, use a specialist fitting in this case. For light loads, a General Purpose Plug can be used.

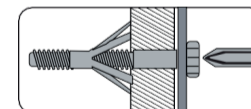
3. SHIELD ANCHOR Wall Plug

Heavy loads



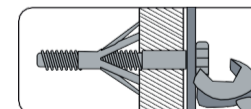
For use with heavier loads such as TV & Hi-fi Speakers and Satellite Dishes etc.

4. CAVITY FIXING Wall Plug



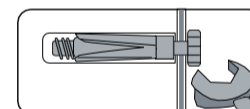
For use with plaster board partitions or hollow wooden doors.

5. CAVITY FIXING HEAVY DUTY Wall Plug



For use with plaster board partitions or hollow wooden doors.

6. HAMMER FIXING Wall Plug



For use with walls stuck with plaster board. The hammer fixing allows it to be fixed to the wall rather than the plaster board. Always check the fixing is secure to the retaining wall.

Care and Maintenance

! Safety
Always check the fitting and location to ensure your safety in and around the home.

! Fitting
From time to time check the fitting to ensure the wall plugs or screws do not become loose.

- Please ensure that you use fittings that are suitable for your wall type (see wall fixings information for a general guide).
- Please ensure that the head of the screws used has a diameter greater than the diameter of the hole on the wall fixing and that the fixing is safe and secure before using.
- When drilling into the walls, always ensure there are no hidden wires or pipes.
- If you are unsure, we recommend you consult a qualified Trades person.