



2000W
WALL MOUNTED
ELECTRIC FIRE
WITH PEBBLES

2 HEAT SETTINGS

LED DISPLAY AND REMOTE CONTROL

AUTOMATIC THERMOSTATIC CONTROL



User Manual

This appliance is only suitable for well insulated spaces or occasional use.

Contents

Page No.	
2	Contents
3	Reading and Storing the User Manual
3	Important Safety Instructions for Proper Use
6	CAUTION!
7	Explanation of Symbols
8	Description of Parts – Accessories
9	Description of Parts – Control Panel & Fire
9	Description of Parts – The Digital Display
10	Positioning of Your Wall Fire
10	Before Fitting Your Wall Fire
10	Installing Your Wall Fire
10	Fitting Your Wall Fire at the Correct Height
13	Instructions for Use
14	Using the Fire Controls
15	Using the Remote Control – Description of Parts
15	Using the Remote Control – Fitting the Batteries
16	Battery Warnings
16	Using the Remote Control
19	Care and Maintenance
19	Safety Cut Out
19	Technical Specification
19	Plug Wiring Information
20	Recycling Information
21	ErP Data

READING AND STORING THE USER MANUAL



Before using this product, please read through this manual carefully paying particular attention to the safety instructions. Failure to do so may result in personal injury or damage to the product.

Carefully save this instruction manual for future reference. Ensure the user manual is included when passing the product on to any third parties.

IMPORTANT SAFETY INSTRUCTIONS FOR PROPER USE

When using electrical appliances, basic safety precautions should always be followed.

Only use the product as described in this user manual. Any other use is considered improper and may result in damage to property or persons. The manufacturer or vendor cannot be held liable for damages or injury incurred through improper or incorrect use.

- **Read and familiarise yourself with all operating instructions before using this Wall Mounted Fire.**
- Before plugging your unit into the mains, visually check that the unit is intact and has not suffered any transit damage.
- **⚠ WARNING!** In order to avoid overheating, **DO NOT COVER** the heater.
- **⚠ WARNING!** To reduce the risk of fire, keep textiles, curtains, or any other flammable material a minimum distance of 1m from the air outlet.
- **DO NOT** locate the appliance immediately below an electrical socket outlet.
- **DO NOT** use this heater with a programmer, timer, separate remote-control system or any other device that switches the heater on automatically, since a fire risk exists if the heater is covered or positioned incorrectly.
- **DO NOT** use this heater with an extension cable.
- Check that the voltage indicated on the data plate corresponds with that of the local network before connecting the appliance to the mains power supply.

- Close supervision is required when using this appliance near children.
- This appliance can be used by children aged from 8 years and above and persons with reduced physical, sensory or mental capabilities or lack of experience and knowledge if they have been given supervision or instruction concerning use of the appliance in a safe way and understand the hazards involved. Children shall not play with the appliance. Cleaning and user maintenance shall not be made by children without supervision.
- Children of less than 3 years should be kept away unless continuously supervised.
- Children aged from 3 years and less than 8 years shall only switch on/off the appliance provided that it has been placed or installed in its intended normal operating position and they have been given supervision or instruction concerning use of the appliance in a safe way and understand the hazards involved.
- Children aged from 3 years and less than 8 years shall not plug in, regulate and clean the appliance or perform user maintenance.
- **⚠ WARNING!** Some parts of this product can become very hot and cause burns. Particular attention has to be given where children and vulnerable people are present.
- **DO NOT** use this heater in the immediate surroundings of a bath, a shower or a swimming pool.
- **DO NOT** use this heater in small rooms when they are occupied by persons not capable of leaving the room on their own, unless constant supervision is provided.
- **DO NOT** immerse the appliance or its cord in water or any other liquids.
- **DO NOT** leave the appliance unattended during use.
- **DO NOT** leave the appliance unattended whilst connected to the mains supply.

- Always use this appliance on a solid, level, heat resistant surface.
- **DO NOT** use this appliance outdoors.
- It is imperative to unplug the power cord after the appliance has been used, before it is cleaned and whilst being repaired.
- Repairs to electrical appliances should only be performed by a qualified electrician. Improper repairs may place user at serious risk.
- **DO NOT** operate this appliance with a damaged plug or cord, after a malfunction or after being dropped or damaged in any way.
- Regular, periodic checks should be carried out on the mains cable to ensure no damage is evident. Should there be any signs of damage the appliance should not be used.
- If the power cable is damaged, it should only be replaced by the manufacturer or a suitable qualified after-sales-service in order to avoid a hazard
- **DO NOT** allow the mains cable to hang over sharp edges or come in contact with hot surfaces.
- **DO NOT** run the mains cable under carpets, rugs, etc.
- Allow the unit to cool before storage.
- Before cleaning, disconnect the appliance from the mains supply and allow to cool.
- Never place the appliance near to flammable material or high pressure containers. E.g. Paper, wood, petrol, solvents, spray canisters.
- This appliance is intended for household use only and should not be used for industrial purposes.
- **DO NOT** use any accessories or attachments with this appliance other than those supplied or recommended by supplier.
- **DO NOT** use this appliance for anything other than its intended use.

- **DO NOT** push objects into any openings as damage to the appliance and/or electric shock may occur.
- The appliance should not be installed in areas which have a fire-risk, such as garages, stables or wooden sheds; this is applicable also for rooms in which highly inflammable gasses or dust can develop. Danger of fire!!
- Unplug after each use. Grasp the plug, not the cord.

CAUTION

Keep furnishings and other objects away from the top of the fire. They could obstruct the free flow of air from the fan and damage both furnishings and fire.

DO NOT COVER THE HEATER

THIS WALL MOUNT FIRE MUST ONLY BE OPERATED ONCE MOUNTED ON THE WALL AS DESCRIBED IN THIS MANUAL.

THIS APPLIANCE MUST BE EARTHED

This appliance has been ERP classified as a fixed space heater and should only be used for supplementary, secondary or temporary heating. It should not be considered for primary permanent heating in a room or dwelling.

 During the first few minutes of initial use, you may notice a slight odour and a little smoke. This is normal and will quickly disappear, it is the coating applied to the heating elements to prevent any corrosion during transit.

Explanation of Symbols

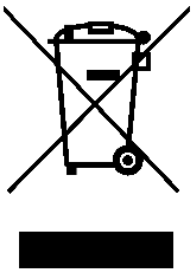
The following warning symbols or words are used in this instruction manual:



Products labelled with UK Conformity Assessment identifies products conforming to UK statutory requirements.



Products labelled with this symbol conform to applicable provisions of the European Economic Area.



You should now recycle your waste electrical goods and in doing so help the environment. This symbol means waste electrical products at the end of their useful life should not be disposed of with normal household waste and not sent to landfill. Please ensure it is taken to a suitable facility for disposal. Check with your Local Authority or retailer for recycling advice or visit www.recycle-more.co.uk enter your postcode to find out your nearest recycling site.



This symbol provides useful additional information on the use of this product.



This symbol indicates that the supply uses an alternating current mains supply.

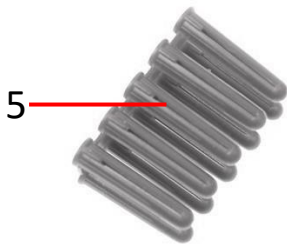


This designates a hazard with moderate risk, which may result in severe injury if not adhered to.

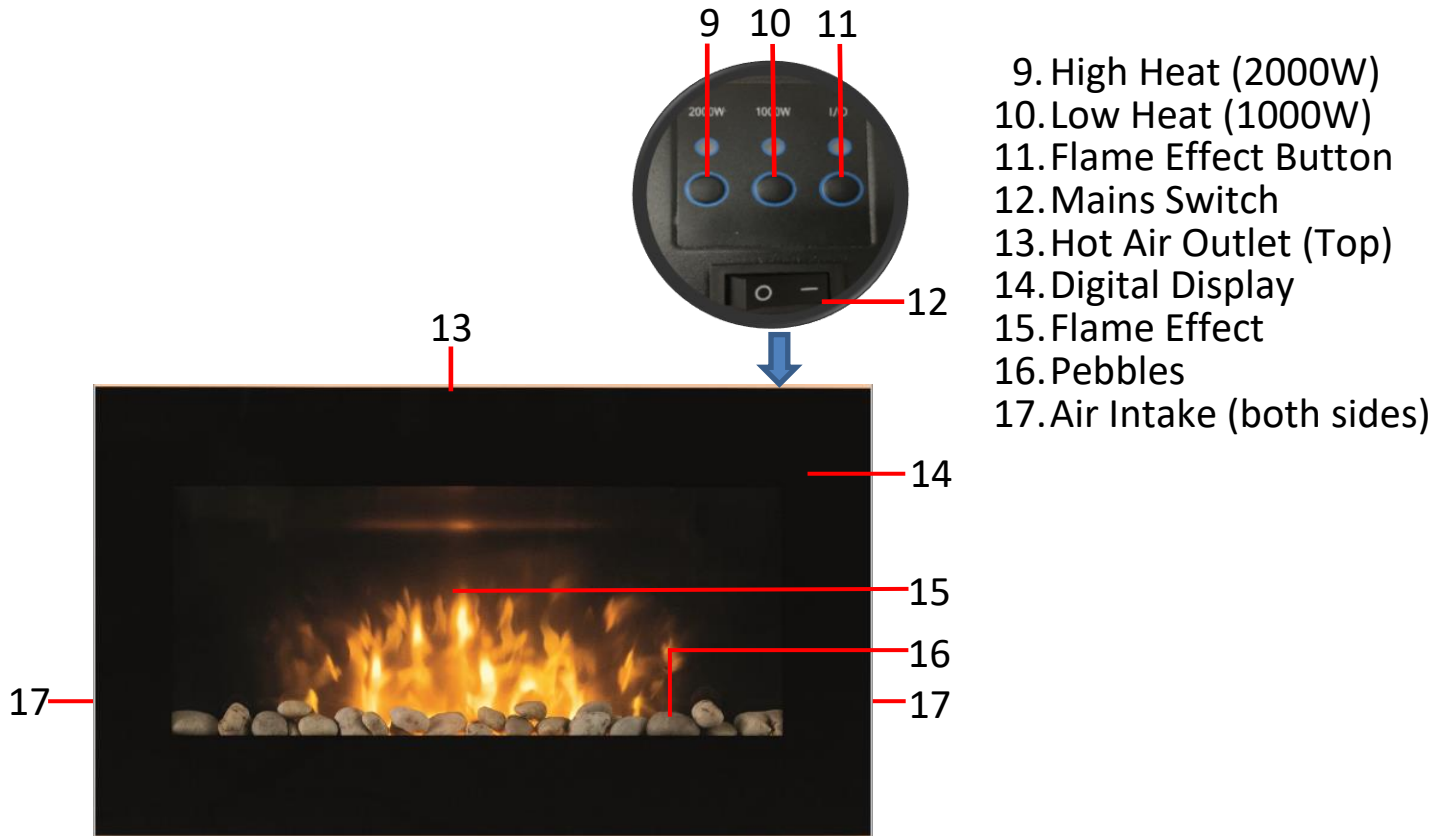
Description of Parts - Accessories



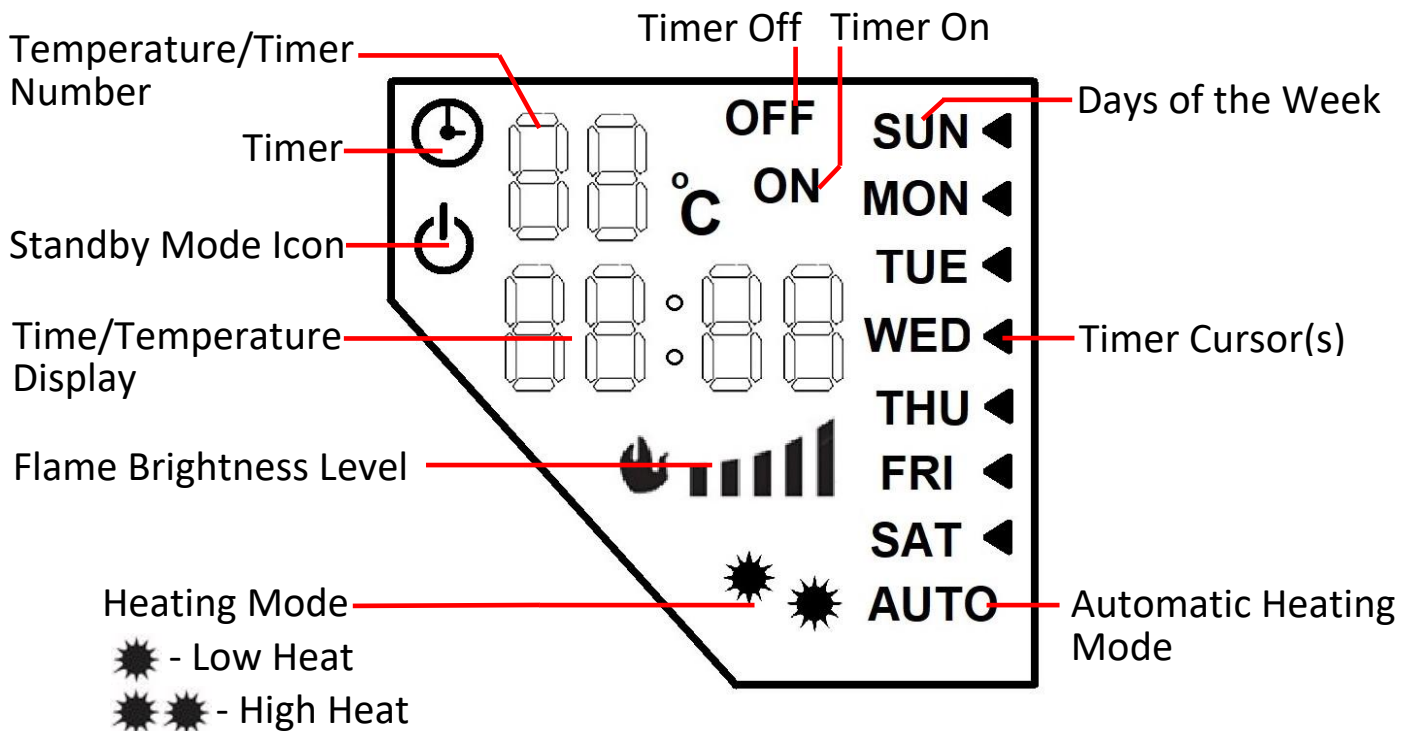
1. Glass Front Panel
2. Wall Mounting Bracket
3. Front Panel Retaining Bracket (with Screw x1)
4. Lower Retaining Bracket & Small Fixing Screws (x2)
5. Wall Plugs (x7)
6. Fixing Screws (x7)
7. Remote Control (x1)
8. Bag of Pebbles (x1)



Description of Parts – Control Panel & Fire



Description of Parts – The Digital Display (14)



Positioning of Your Wall Fire

Mount the fire securely on a solid wall using the supplied mounting brackets following the instructions below, ensure that the wall is stable and not subject to vibrations. Choose a mounting position that is near but not below a suitable mains socket.

Before Fitting Your Wall Fire

Before fitting, retain all packaging until all the parts are present against the parts list – see ***Description of Parts – Accessories*** above.
 Discard packaging responsibly.

⚠️ WARNING! The fixing pack contains small items which should be kept away from young children.

Installing Your Wall Fire

⚠️ WARNING! DO NOT connect the fire to the mains until it is properly fixed to the wall.

Whilst installing the fire, care must be taken whilst drilling the holes not to damage concealed cables and pipes. If in doubt, obtain the services of a qualified tradesperson.

DO NOT permanently connect the fire to the mains – always use the mains plug provided.

Fitting Your Wall Fire at the Correct Height

This fire is designed to be fixed to a wall at a **minimum height of 300mm** from the bottom of the fire to the floor. The wall bracket must be fitted to the wall securely and accurately level.

However, a height of approximately 600mm from the bottom of the fire to the floor is recommended for optimum viewing of fuel bed stones (see Fig.1 & 2 below for the recommended fixing dimensions):

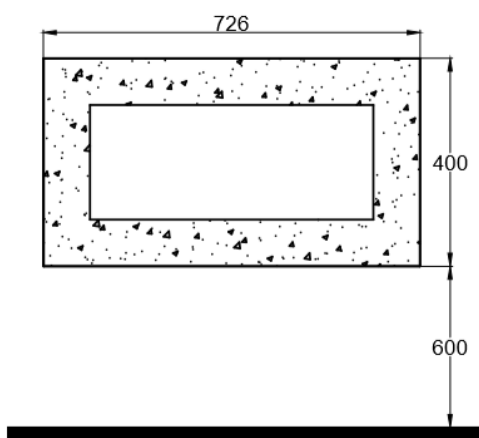


Fig.1

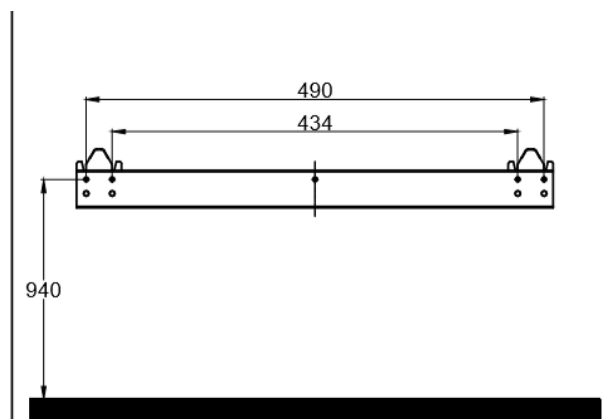


Fig.2

1. First remove the **Front Glass Panel (1)** from the body of the fire by lifting the panel up and away from the fire as in Fig.3 below:
 This step requires 2 people.

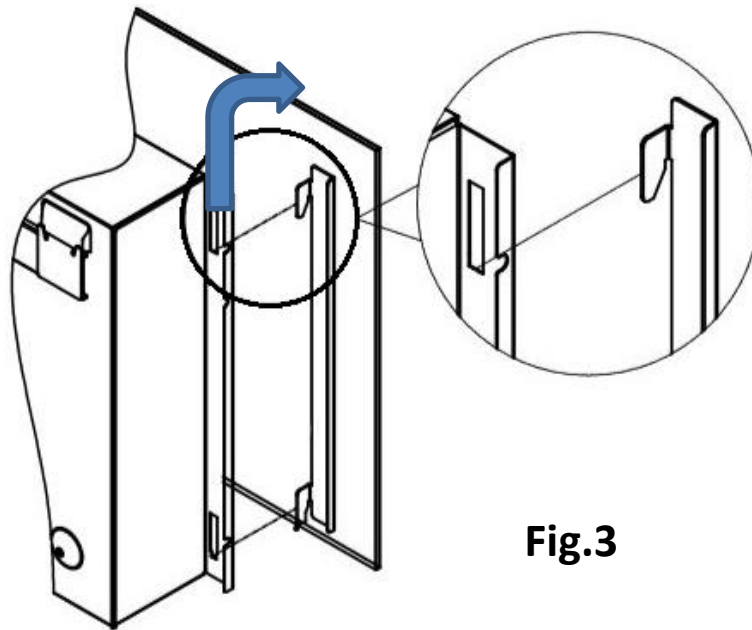
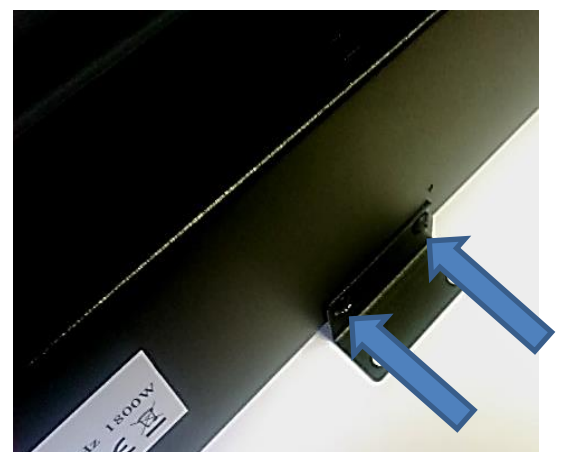


Fig.3

2. **i** Once removed, place the **Front Glass Panel (1)** in a safe place away from the working area on soft protective materials to avoid any damage.
2. With reference to Fig 2 above, mark the five screw fixing positions on the wall for the **Wall Retaining Bracket (2)** as shown right. Drill the holes with a 6mm masonry drill bit and insert the five **Wall Plugs (5)** provided into the holes. Use a spirit level (not supplied) to ensure that the wall bracket is level.
3. Screw the **Wall Retaining Bracket (2)** to the wall using the **Fixing Screws (6)** provided. Ensure the **Fixing Screws (6)** are fully tightened.
4. Fit the **Lower Retaining Bracket (4)** to the two holes in the base of the fire using the two Small Screws provided and tighten as shown right:



5. Carefully lift the fire up ensuring that the top rear edge of the fire hooks securely onto the **Wall Retaining Bracket (2)** - see Fig.4 below:

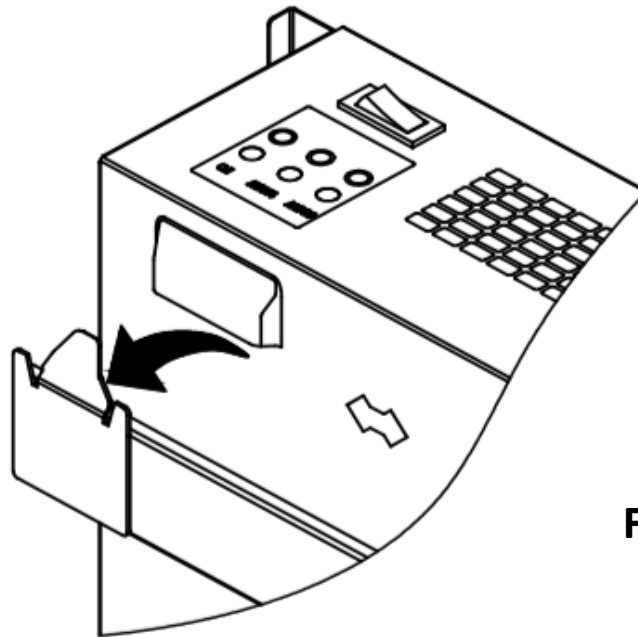


Fig.4

6. Gently lower the fire against the wall.

i It is recommended that two people carry out steps 5 & 6.



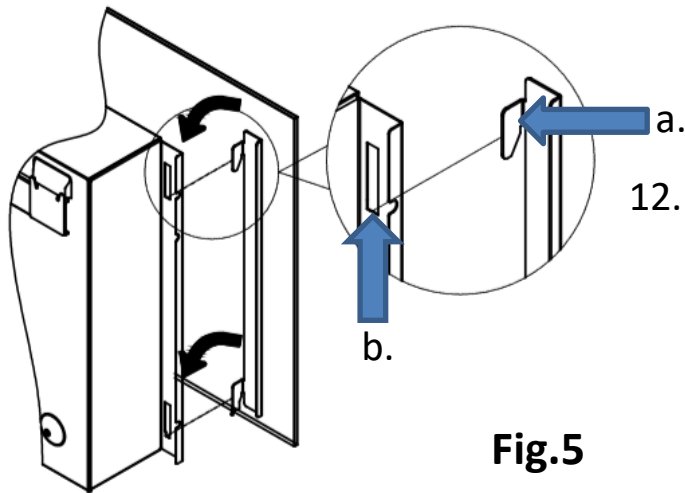
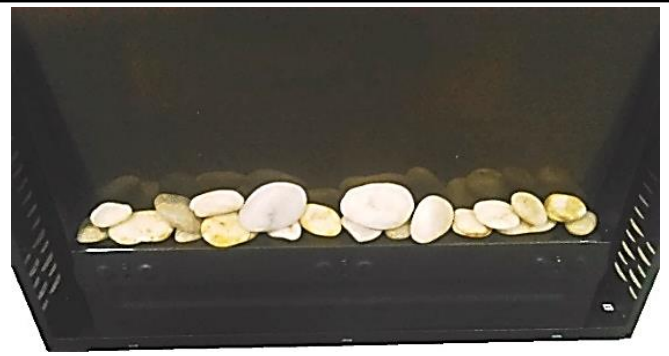
7. Using a pencil, mark the wall for the 2 wall fixing screw positions for the **Lower Retaining Bracket (4)** as shown left.

8. Carefully remove the fire from the wall and drill the 2 screw positions for the **Lower Retaining Bracket (4)** with a 6mm masonry drill bit (not supplied) and insert the 2 x **Wall Plugs (5)** provided.

9. Carefully lift the fire up back onto the wall ensuring that the top rear edge hooks securely onto the **Wall Retaining Bracket (2)** – See Fig. 4 above. Gently lower the fire against the wall. Again, it is recommended that two people carry out this stage.

10. Secure the **Lower Retaining Bracket (4)** to the wall using the **Fixing Screws (6)** provided. Ensure the **Fixing Screws (6)** are fully tightened.

11. Unpack the **Pebbles** (8) from the bag and place them along the light unit at the bottom of the recess in the desired position as shown right:

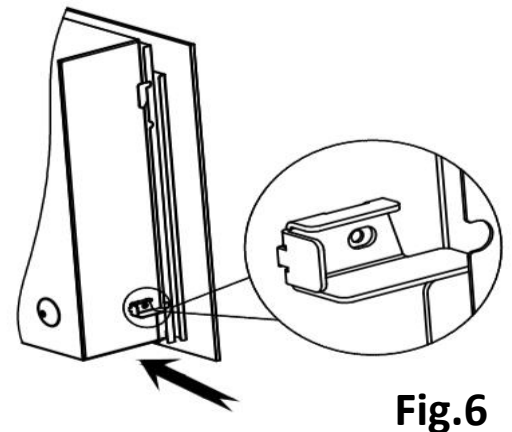


12. Place the **Glass Front Panel** (1) onto the body of the fire by aligning the tabs (Fig 5a) on the glass front with the slots (Fig 5b) at each side of the fire body – see Fig.5 left. Once the tabs are in the slots carefully lower the **Glass Front Panel** (1) into place.

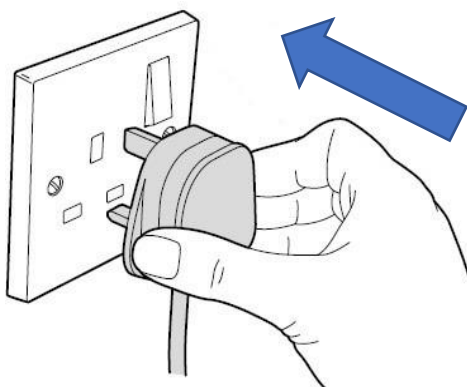
i This step requires 2 people to prevent damage to the glass panel.

13. Finally, secure the glass front panel to the fire by screwing the **Front Panel Retaining Bracket** (3) to the side of the fire – see Fig. 6

14. Your Wall Fire is now mounted on the wall and ready to use.



Instruction for Use



Insert the mains plug into the nearest socket:

The fire controls are located on the top right hand side of the fire:

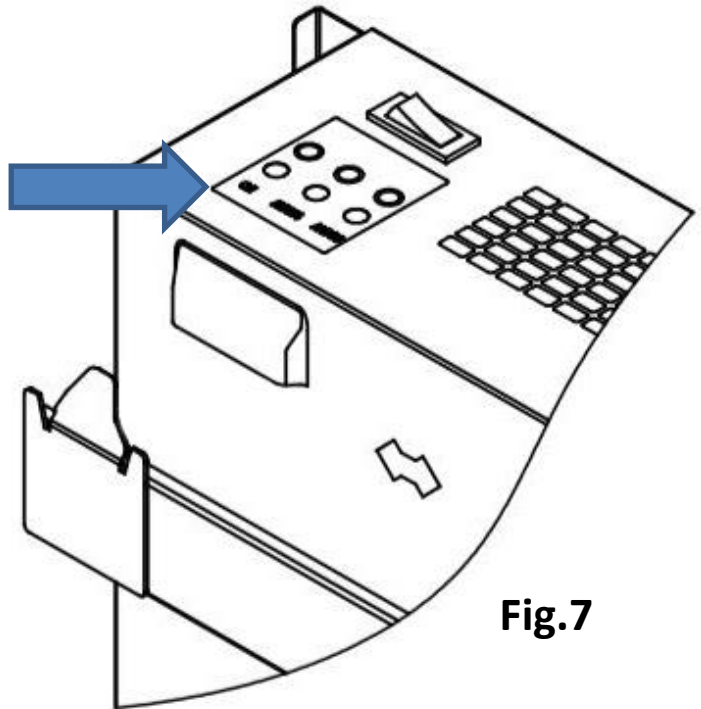
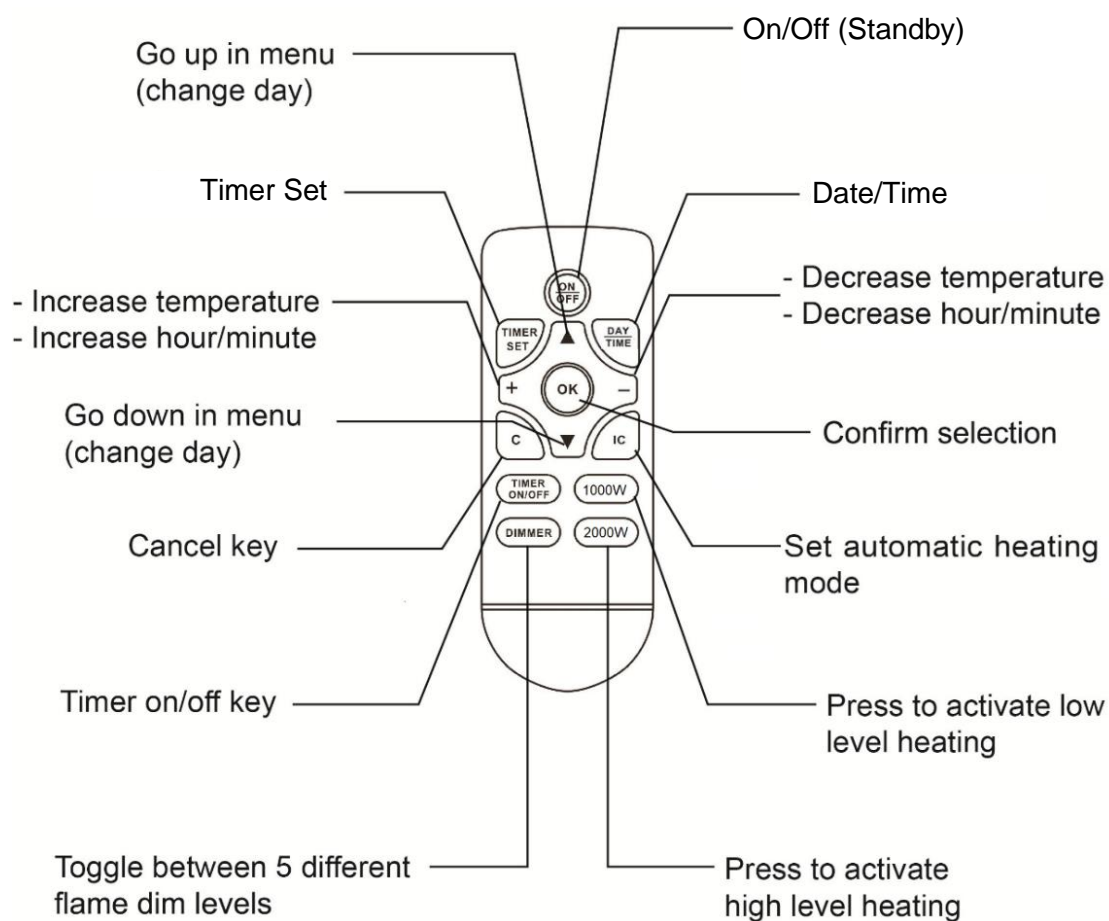


Fig.7

Using the Fire Controls

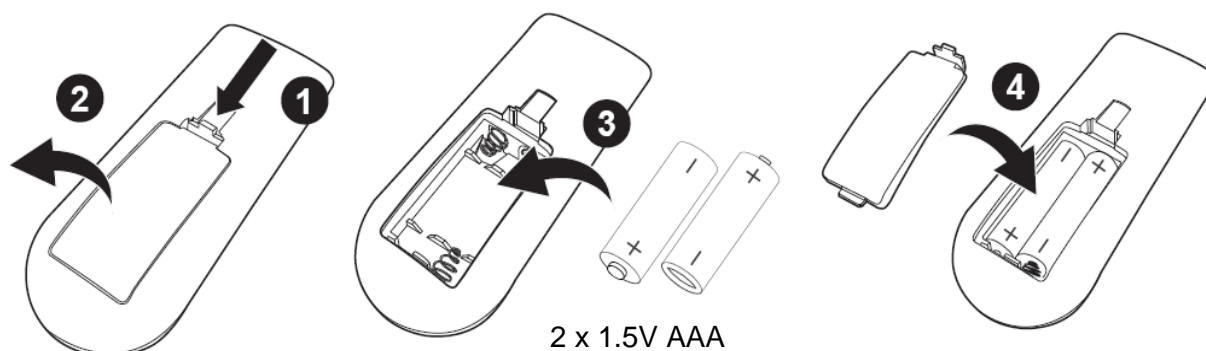
	2000W	Press 2000W High Heat (9) to operate the 2000W high heat mode.
	1000W	Press 1000W Low Heat (10) to operate the 1000W low heat mode.
	I/O	Press the Flame Effect Button (11) to switch the Flame Effect on and hold to choose from 5 different flame brightness levels.
	I	Press the Mains Switch (12) to the I position to switch the fire on.
	O	Press the Mains Switch (12) to the O position to switch the fire off.

Using the Remote Control (7) – Description of Parts



Using the Remote Control – Fitting the Batteries

1. Push the catch down on the battery compartment cover.
2. Remove the battery compartment cover.
3. Insert 2 x 1.5V AAA batteries (Not included) into the battery compartment being careful to observe the polarity markings inside.
4. Replace the battery compartment cover.



Battery Warnings

- Do not mix old and new batteries together.
- It is recommended that batteries are removed from the remote control if it is not to be used for a long period of time.
- CAUTION: There is a danger of explosion if the batteries are incorrectly fitted.
- Replace only with the same or equivalent battery type.
- Do not expose the batteries to sunshine, fire, heat or similar.
- Do not dispose of batteries in a fire.

WARNING

- Do not ingest the batteries.
- Keep new and used batteries away from children and animals.
- If the battery compartment does not latch securely, stop using the product and keep it away from children.
- If you think batteries might have been swallowed or placed inside any part of the body, seek immediate medical attention.
- If the batteries leak, remove them immediately to avoid damaging the product. Do not remove the batteries with your bare hands or allow the battery fluid to come into contact with your skin, eyes or mucous membranes. Wear normal household gloves to do so. If, however, your skin has come into contact with the battery fluid, wash your skin immediately, if necessary, seek medical attention.

i The **Remote Control (7)** must be pointed directly at the front of the fire to operate.

i For the fire to operate via the **Remote Control (7)**, the fire should be switched on using the **Mains Switch (12)** – see *Description of Controls* above.

Using the Remote Control (7)

The **Remote Control (7)** can be used to set the following:

On/Off (Standby)

- Ensure that the **Mains Switch (12)** is in the on (I) position.
- Press the **On/Off (Standby*)** button on the remote to switch the fire on and off. Once the fire has been switched off, the standby icon will illuminate on the **Digital Display (14)**.

*In standby mode the fire is not fully switched off, press the **Mains Switch (12)** to the off (O) position to fully switch off the fire.

Setting the Temperature

- Press the + or – buttons on the remote to set the desired temperature, from 15 to 30°C.
- **i** The default temperature is 20°C.
- After setting the temperature, the display will flash for around 5 seconds then default to show the current room temperature.

NOTE: This is only applicable for setting the temperature in normal heating mode and *not* whilst using the Timer.

- **i** The heater will only operate when the set temperature is higher than the ambient room temperature.

Setting the Heat Level

- Press the **1000W** button to select the 1000W Low Heat mode, the Low Heat icon  will illuminate on the **Digital Display** (14).
- Press the **2000W** button to select the 2000W High Heat mode, the High Heat icon  will illuminate on the **Digital Display** (14).

Setting the Flame Brightness

- Press the **DIMMER** button repeatedly to select the desired flame brightness level.

Setting the Weekday and Time

- Press the **DATE/TIME** button, the day of the week will flash, press the ▲ or ▼ buttons to select the correct day.
- Press the **DATE/TIME** button again, use the + or – buttons to set the hour.
- Press the **DATE/TIME** button once more and use the + or – buttons to set the minute.
- Press the **OK** button to confirm the weekday and time setting.

Setting the Timer

- Up to 10 different timer settings can be programmed.
 - Each timer setting has a day, a power **ON** time and a power **OFF** time.
 - The maximum duration of each timer setting is 23 hours 50 minutes.
 - To program the Timer, follow the below steps:
1. Press the **TIMER SET** button, the timer number will start flashing (01-10). Press the + or – buttons to select a timer number.
 2. Press the **TIMER SET** button, the Timer Cursor on the left side of the display flashes. Press the ▲ or ▼ buttons to move the Timer Cursor to the corresponding day.
 3. Press the + button to add a corresponding day, or press the – button to delete a

day.

4. Press the **TIMER SET** button to set the **ON** time. The hour digit starts flashing.
Press the + or – buttons to set the **ON** time hour.
5. Press the **TIMER SET** button, the minute digit starts flashing.
Press the + or – buttons to set the **ON** time minute.
6. Press the **TIMER SET** button to set the **OFF** time. The hour digit starts flashing.
Press the + or – buttons to set the **OFF** time hour.
7. Press the **TIMER SET** button, the minute digit starts flashing.
Press the + or – buttons to set the **OFF** time minute.
8. Press the **TIMER SET** button. The temperature digit starts flashing.
Press the + or – button to set the timer temperature.
9. Finally, either press the **TIMER SET** button to continue with the timer setting or press the **OK** button to confirm the setting.

i If the power-off time of the timer setting falls on the following day, it is not necessary to set the day—just set the power-off time.

Viewing the Timer Settings

Press the **TIMER SET** button.

Press the + or – button to check the power-on time of the set timers one by one. To check the power-off time, press the ▲ button.

Press the + or – button to check the power-off time of the set timers one by one. To delete selected setting, press the **Cancel/C** key.

Activating the Timer

- Press the **TIMER ON/OFF** button to activate the timer function.
- Once set the timer icon will illuminate on the **Digital Display (14)**.
- Press the **TIMER ON/OFF** button to cancel the timer function.

i Whilst the timer is active, the heating level must be manually selected. If the heater function is not selected; only the flame effect goes on at the set power-on time.

Automatic heating mode

Press the **IC** button to activate automatic heating mode. The AUTO icon will appear on the **Digital Display (14)**.

When the automatic heating is turned on, the heater automatically changes the heating level depending on the set temperature and the ambient room temperature.

Care and Maintenance of Your Wall Mounted Fire

Always disconnect the appliance from the mains power supply and allow to cool before cleaning.

Clean outside of the appliance with a clean damp cloth. Never clean with harsh or abrasive cleaners.

DO NOT submerge any part of the appliance in water or any other liquids.

i This fire uses an LED for its light source and therefore does not require replacement.

Safety Cut – Out

⚠ WARNING! This appliance is fitted with a built in safety cut-out, if the cut-out is activated the unit stops working, unplug the heater from the mains and check that the air intake area is not blocked or covered.

Leave for an hour to cool and reset before plugging back into the mains.

Technical Specification

Rated Voltage	220-240V~ 50Hz
Rated Power	2000W
Model Number	30737366
Protection Class	I (This appliance must be earthed)

Non-Rewireable Mains Plug

If your appliance is supplied with a non-rewireable plug fitted to the mains lead and should the fuse needed replacing, you must use an ASTA approved one (conforming to BS 1362 of the same rating). Never use a plug with the fuse cover missing. If in doubt, consult a qualified electrician.

If you need to remove the plug -**DISCONNECT FROM THE MAINS**- and then cut it off the mains lead and immediately dispose of it safely. Never attempt to reuse the plug or insert it into a socket outlet as there is a danger of electric shock.

Recycling Information

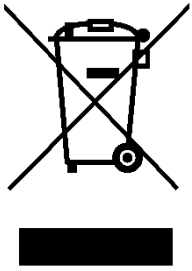
Disposal of the Packaging

Dispose of paper and cardboard in appropriate paper re-cycling facilities.

Dispose of recyclable plastics in appropriate plastic re-cycling facilities.

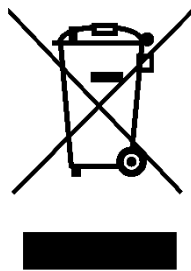
Dispose of non-recyclable plastics in the appropriate plastics collection service.

Disposal of the Product



You should now recycle your waste electrical goods and in doing so help the environment. This symbol means waste electrical products at the end of their useful life should not be disposed of with normal household waste and not sent to landfill. Please ensure it is taken to a suitable facility for disposal. Check with your Local Authority or retailer for recycling advice or visit www.recycle-more.co.uk to find your nearest recycling point.

UK
CA



ErP Data

Model	30737366					
Item	Symbol	Value	Unit		Item	Unit
Heat output					Type of heat input, for electric storage local space heaters only (select one)	
Nominal heat output	P_{nom}	2.0	KW		manual heat charge control, with integrated thermostat	Not applicable
Minimum heat output (indicative)	P_{min}	1.0	KW		manual heat charge control with room and/or outdoor temperature feedback	Not applicable
Maximum continuous heat output	$P_{max,c}$	2.0	KW		electronic heat charge control with room and/or outdoor temperature feedback	Not applicable
Auxiliary electricity consumption					fan assisted heat output	Not applicable
At nominal heat output	el_{max}	0.014 (fan motor)	KW		Type of heat output/room temperature control (select one)	
At minimum heat output	el_{min}	0.014 (fan motor)	KW		single stage heat output and no room temperature control	[no]
In standby mode	el_{SB}	0.48	KW		Two or more manual stages, no room temperature control	[no]
					with mechanic thermostat room temperature control	[no]
					with electronic room temperature control	[no]
					electronic room temperature control plus day timer	[no]
					electronic room temperature control plus week timer	[yes]
					Other control options (multiple selections possible)	
					room temperature control, with presence detection	[no]
					room temperature control, with open window detection	[no]
					with distance control option	[no]
					with adaptive start control	[yes]
					with working time limitation	[no]
					with black bulb sensor	[no]

Dunelm



dunelm.com

Manufactured in China for

Dunelm (Soft Furnishings) Ltd. LE7 1AD

Dunelm (Soft Furnishings) Londonderry Ltd. BT48 8QN