

DUNELM WOOD VENETIAN BLIND

Fitting Instructions

Please keep for future reference

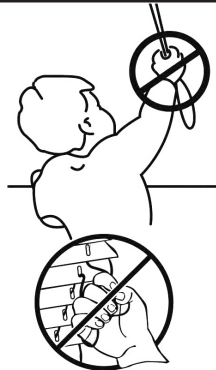
Tools required



Optional



WARNING



Young children can be strangled by loops in pull cords, chains, tapes and inner cords that operate the product. To avoid strangulation and entanglement, keep cords out of the reach of young children.

Cords may become wrapped around a child's neck.

Move beds, cots and furniture away from window covering cords. Do not tie cords together.

Make sure cords do not twist and create a loop.

PERSONS IN CHARGE OF CHILDREN ARE ULTIMATELY RESPONSIBLE FOR FOLLOWING THE SAFETY INSTRUCTIONS PROVIDED BY THE MANUFACTURER AND TO USE ANY SAFETY DEVICE SUPPLIED.

The installation can be completed by non-professionals.

Pack Contents

Blind

End brackets

Hold down brackets

Valance (not cut to size) with pre applied tape

Fittings pack

Cleats

Intermediate support(s) (number dependant on blind width)

Should any component be missing, please call the Customer Care Department on **01543 272605**.

Safety Recommendation

Always use a step ladder when working at heights.

DO NOT over reach. Always move the step ladder so that you are in a safe working position.

DO NOT hold or lean on the blind to support your weight.

We recommend you use two people for installation of larger blinds.

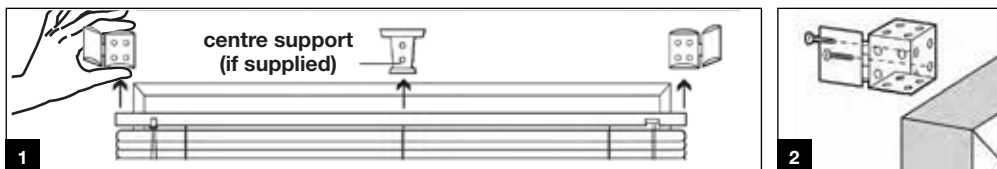
Take care when using power tools, use of a Residual Current Device (RCD) is recommended.

Always use eye protection when drilling. Beware of hidden pipe runs and cables.

No liability will be accepted for damage or injury caused by incorrectly installed or assembled product.

**PLEASE KEEP OUT OF THE REACH OF YOUNG CHILDREN. SMALL PARTS - CHOKING HAZARD
PLEASE KEEP THESE INSTRUCTIONS AND THE BATCH CODE ON THE PACKAGING FOR FUTURE
REFERENCE IN CASE OF ANY QUERIES**

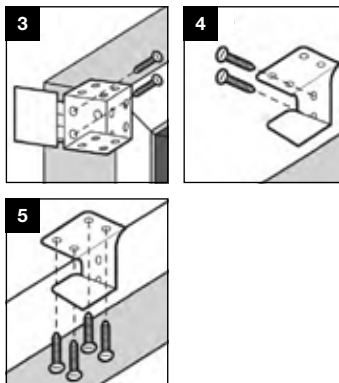
Note: Use the correct wall plugs and screws for the type of wall to which you are mounting your blind and cleat. If you are unsure, please consult your local builders merchant or DIY store.



Fitting the brackets

Headrails shall not be installed less than 1.5m from the floor.

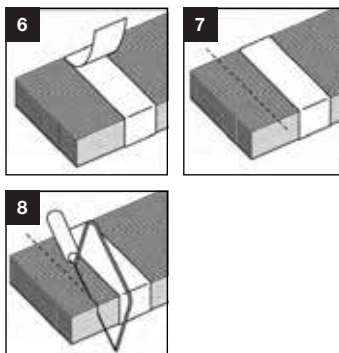
1. Lay the blind and components out on the floor.
2. Decide if your blind is to be fitted inside or outside the window recess.
3. If fitting outside the recess, see figs.1 & 2. The centre bracket(s) are only supplied with wider blinds.
Note: Gently squeeze the top and bottom of the end brackets to release the hinge.
4. If the blind is to be fitted within the recess, fit the brackets accordingly (fig.3). The blind can be cut down with a fine tooth saw.
5. If centre bracket(s) are required to be fitted, space them evenly between the end brackets following figs.4 & 5 for wall or ceiling mount.



Reducing the blind width

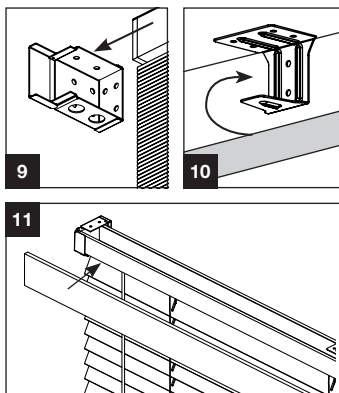
Please note that the blind cannot be cut down further than 60cm. Maximum reduction on each side is 7.5cm, which equals 15cm reduction in width.

1. With the blind fully raised, tightly bind both sides of the blind with low adhesive masking tape. (fig.6)
2. Measure an equal amount from both ends of the blind and mark a cutting line using a straight edge. (fig.7)
3. Cut through the headrail, slats and base rail using a fine tooth saw. (fig.8)
4. Remove the tape from both sides of the blind and hang at window.



Installing the blind

1. Place the blind into the mounted brackets, close and secure the bracket cover. (fig.9)
2. If centre brackets are fitted, rest the blind on the bracket supports. (fig.10)
3. **Ensure the headrail is wiped clean with a clean cloth. The headrail must be dry and free from any dust or residue to ensure correct adhesion of the valance fixing tape.**
4. Peel off the backing paper of the adhesive strip pre attached to the valance. Align the valance with the blind headrail and press firmly into place (fig.11).



Fitting the child safety cleats

Two safety cleats are supplied with this blind and both must be installed. The child safety cleats (fig.12) are designed to keep loose cords out of young children's reach and avoid the risk of strangulation.

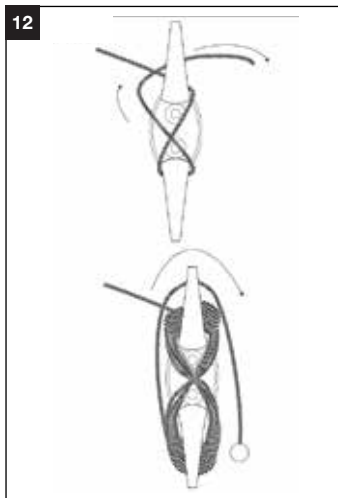
1. The cleats shall be installed as close to the headrail as possible and, in all cases, not less than 1.5m from the floor.
2. Mark and fix the cleats using correct fixings. Ensure that the fixing is secure.

Check the cords at regular intervals to ensure they have not become tangled and formed a loop.

Each time the blind is operated, the cords should ALWAYS be wrapped around both the cleats to ensure that they cannot be reached and that the cords cannot be pulled loose by young children.

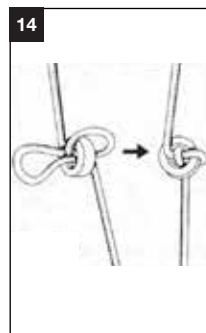
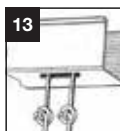
Please follow the steps below:

1. Wrap both cords tightly around the cleats in a figure of 8 motion as shown fig.12.
2. When nearing the end of the cord, loop the remaining length over the body of the cleat allowing the minimal amount of cord to drape from the cleat as possible. (You may need to repeat the figure of 8 motion again).



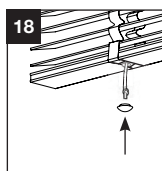
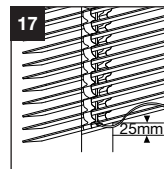
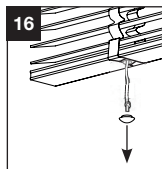
Positioning the cord stop

1. The cord stops are preinstalled 25-50mm from the head rail, they need to be loosened (but do not untie them) and moved down the cord by hand before you can lower the blind. (fig.13)
2. Lower the blind to the maximum desired length and lock in place.
3. Push both the cord-stop and the loosened knot toward the head rail until the cord-stop is 25-50mm (1-2") below the head rail. (fig.14)
4. Hold the cord-stop in place and pull firmly on the pull cord to re-tighten the knot. (fig.15)
5. Repeat steps 3 & 4 for all the other cord stops.



Reducing the blind drop

1. With the blind fully lowered, remove the wooden buttons in the base rail and untie the knot in the lift cord. (fig.16)
2. Remove base rail and surplus slats.
3. Cut off the excess ladder tape ensuring that about 25mm (1" approx.) surplus remains. (fig.17)
4. Replace base rail, re-thread lift cord and re-tie knot in end of lift cord. Tuck the surplus ladder tape into the base rail, securing with the wooden button. (fig.18)

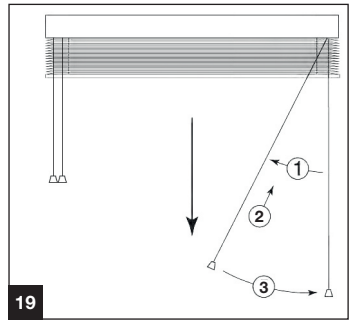


Operating the blind

The cord on the left hand side will open and close the slats. The cord on the right hand side will lift and lower the blind. Always tilt the slats to the horizontal (open) position before raising or lowering the blind.

To lower the blind (fig.19):

1. Bring the cords across the face of the blind.
2. Gently tug the cords to release the cord lock and allow the cords to slip through your fingers at this angle.
3. At the desired drop put the cords back in the vertical position to re-engage the cord lock.



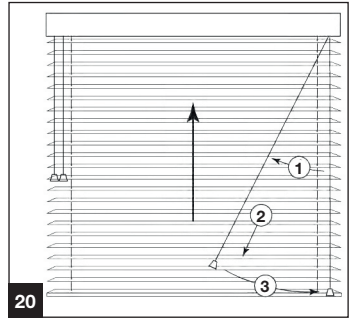
To raise the blind (fig.20):

1. Bring the cords across the face of the blind.
2. Pull the cords at this angle and raise the blind.
3. At the desired height put the cords back in the vertical position to re-engage the cord lock.

To tilt the slats:

1. Operate the cord on the left hand side to tilt the slats to the desired angle.

When both cords are not being operated, wrap the cords around the cleats as described in the 'Fitting the child safety cleats' section.



Care instructions

To clean, use a dry duster or damp cloth as required. Stains or spillages can be removed using a mild detergent in lukewarm water.

The slats should never be soaked or immersed in water as this will result in severe warpage / twisting.