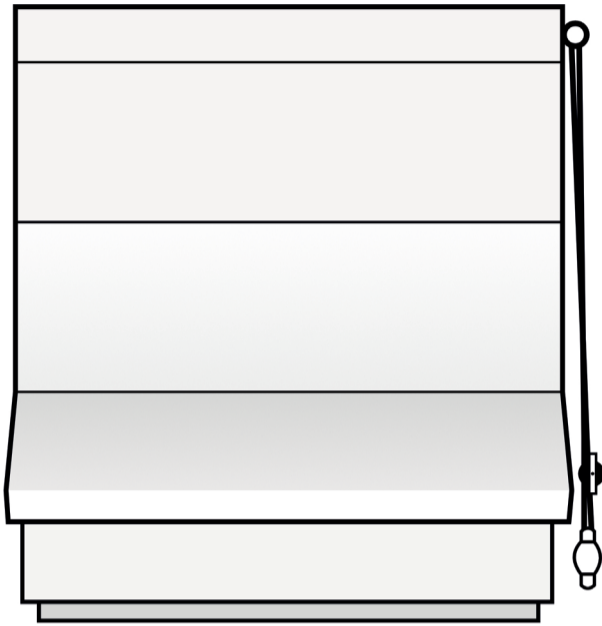


Trimmable Roman Blind

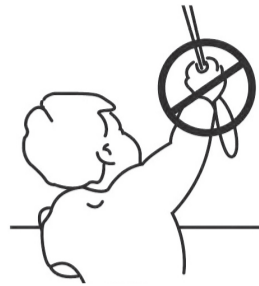
INSTRUCTIONS



www.dunelm.com

← UNFOLD FOR FULL INSTRUCTIONS →

CHILD SAFETY WARNING



- Young children can be strangled by loops in pull cords, chains, tapes and inner cords that operate the product.
- To avoid strangulation and entanglement, keep cords out of the reach of young children.
- Cords may become wrapped around a child's neck. Move beds, cots and furniture away from window covering cords.
- Do not tie cords together.
- Make sure cords do not twist and create a loop.

PERSONS IN CHARGE OF CHILDREN ARE ULTIMATELY RESPONSIBLE FOR FOLLOWING THE SAFETY INSTRUCTIONS PROVIDED BY THE MANUFACTURER AND TO USE ANY SAFETY DEVICE SUPPLIED.

The installation can be completed by non-professionals.

Safety Recommendations

- Always use a Step Ladder when working at height.
- We recommend you use two people for the installation of larger blinds.
- DO NOT over reach. DO NOT hold or lean on the blind to support your weight. Always move the Step Ladder so that you are in a safe working position.
- Take care when using power tools, use of a Residual Current Device (RCD) is recommended. Always use eye protection when drilling. Beware of hidden pipe runs and cables.
- No liability will be accepted for damage or injury caused by incorrectly installed or assembled product.

PLEASE KEEP OUT OF THE REACH OF YOUNG CHILDREN. SMALL PARTS - CHOKING HAZARD.

Please keep these instructions and batch code from packaging for future reference.

www.dunelm.com

Important



Important Safety Instructions

Thank you for purchasing this product. Please read the instructions and warning carefully before use to ensure safe and satisfactory operation of this product. Keep these instructions for future reference.

The safety clips or cleats must be positioned high enough to be out of reach of small children. In all cases the distance from the floor to the bottom of the cord and cleats must be at least 1.5 m. The head rail shall not be installed less than 1.5m from the floor.

All safety clips for blinds need to be fixed to a solid surface using a screw and fixing suitable for the wall or surface material. These items should not be glued.

Small Parts can present a choking hazard if accidentally swallowed. Keep small parts away from young children.

Ensure that all wall plugs and screws provided are suitable for your type of wall/window. If in doubt, consult a professional.

This blind is maintenance-free.

Kit content

Blind size	Headrail (with end cap)	Wall supports	Cord guides	Cord pulley (with cords)	Split cord collector	Cord pull
61cm / 24" / 2ft	1	2	2	1	1	1
91cm / 35" / 3ft	1	2	2	1	1	1
122cm / 48" / 4ft	1	3	3	1	1	1
152cm / 60" / 5ft	1	4	3	1	1	1
183cm / 72" / 6ft	1	4	4	1	1	1

Blind size	Cord cleat	Roman rods	Clip on rod bar	(with end caps) Clip on hem bar	Clip on cord guide	Loop tape	Screws & wall plugs
61cm / 24" / 2ft	1	7	5	1	4	1	4
91cm / 35" / 3ft	1	7	5	1	4	1	4
122cm / 48" / 4ft	1	7	5	1	6	1	5
152cm / 60" / 5ft	1	7	5	1	6	1	6
183cm / 72" / 6ft	1	7	5	1	8	1	6

Tools required

Please note: Additional fasteners other than those sent with your blind may be required depending on the mounting surface. Wallboard and plaster require the use of anchors such as expansion or toggle bolts. Brick, tile or stone need special plugs and drill bits. Remember to always pre-drill holes in wood to avoid splitting.

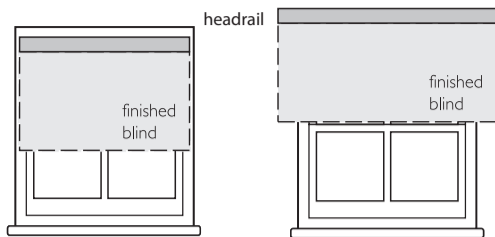
Visual	Qty
Pencil	1
Drill with 6mm drill bit	1

Visual	Qty
Screwdriver	1
Hacksaw	1

Installation guidance

Positioning the blind

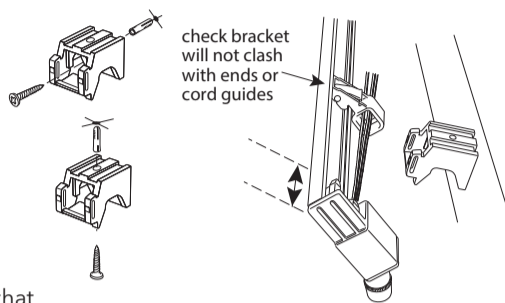
You can choose to fit your blind inside or outside your window recess as shown. We recommend that when fitting outside the recess, that you fit your blind 5- 15cm past each side of the window as shown to prevent light bleeding through the sides. If fitting inside the recess, position the headrail so that it will be clear of any latches and window fixtures.



If the blind is not a suitable size, you can trim it to fit following the instructions in the Trimming the rods, bars and headrail section.

Fixing the wall support brackets

The brackets can be fitted for face or top fixing to your frame, wall or ceiling. Mark and drill the screw holes then screw the brackets into place.

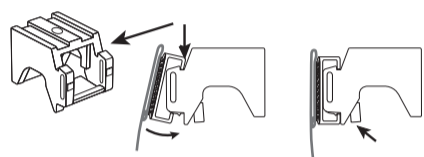


Position the brackets to leave a gap of at least 2cm between the end brackets and the end of the headrail at either side of the blind.

The brackets should be evenly spaced along the width of the blind to secure and level - make sure that the brackets don't clash with ends or cord guides.

Fitting the blind

Clip the finished roman blind onto the brackets by resting the headrail on the bracket as shown.



Press back until it rotates and clicks into place.

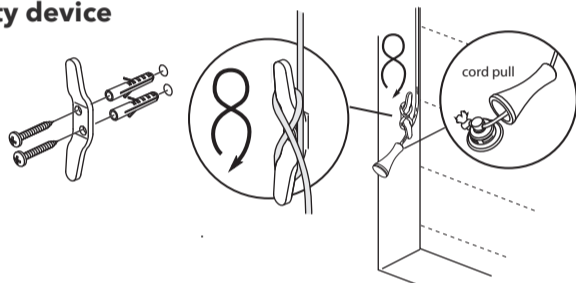
To remove the head rail depress and release the underneath catch.

Installing the cord cleat - Child safety device

The cleat shall be installed as close to the headrail as possible and in all cases not less than 1.5m from the floor.

Cut any access cord and thread on the cord pull supplied. Knot to hold in place.

Children can strangle if this safety device is not installed. Always use this device to keep cords or chains out of reach of children.

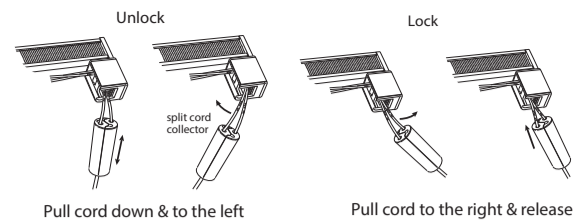


Operating the blind

The blind can be raised and lowered by pulling the cord.

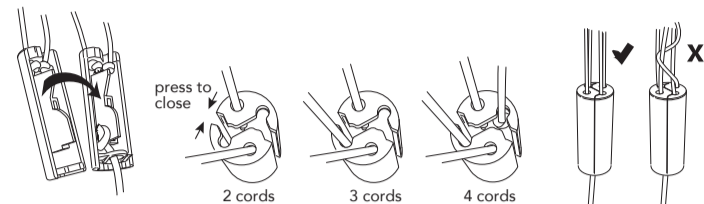
Pull the cord and angle to the left to unlock the blind.

To lock the blind position in place, angle the cord to the right and release.



Cord Collector care

If the split cord collector becomes detached simply press back into the closed position making sure that the number of cords and cord positions correspond to the diagram opposite.



Do not put the cords back in a twisted position and never allow the cords to become twisted when in use.

Keep out of the reach of young children. Small parts - choking hazard.

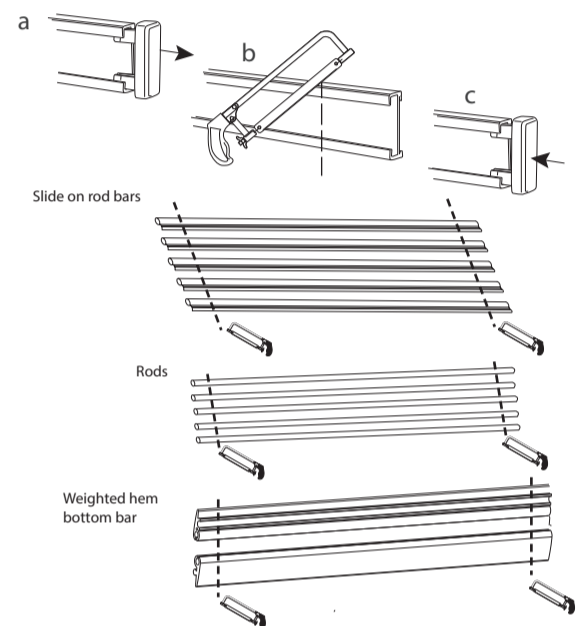
Trimming the rods, bars and headrail

You can trim the blind to size to fit your window perfectly.

Measure the width of your window. Remove the headrail end cover and mark on the headrail where you need to cut the headrail down. Using a hacksaw cut to your desired size and replace the end cover. Trim the rods and bars to the same width as your headrail using a hacksaw. Trim each size of the rods and bars equally.

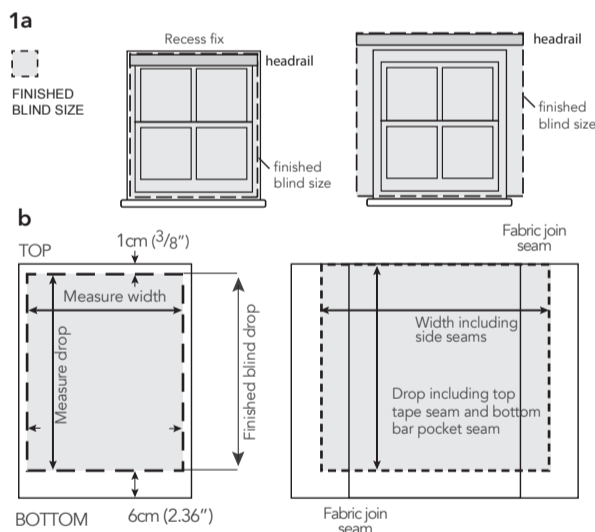
Note: The hem bar must be cut while the bar is open into two pieces.

Tip: To make sliding the rod bars & hem bar onto the fabric easier you could cut one side at an angle to allow the bars to slide smoothly across the fabric.



Fabric requirements for your blind

- Measure the width and drop of your window for recess fixed headrail or if you have mounted your blind headrail outside the recess, measure the width of the blind headrail by the drop required.
- Add to the finished blind the measurements shown in diagram. On wider blinds more than a fabric width wide, join the fabric so the blind will have seams an equal distance from the centre. Mark the blind size plus seams with tailors chalk. Trim out the size.

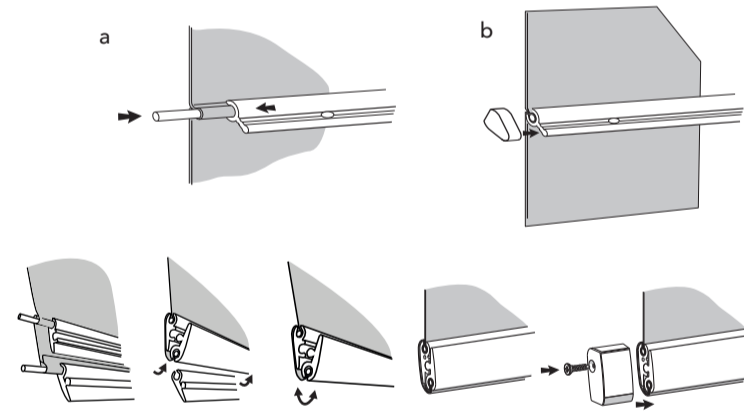


Assembling the blind back together

Position the rods in a straight line then fold the fabric over the rod and slide the rod bar over the fabric to secure.

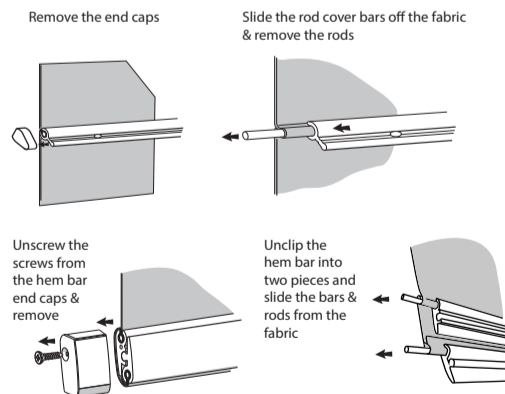
Click the end cap on to secure the rods and bars in place.

Fold the bottom bar over the bottom hem of the fabric and click together in place. Attach the end cap and screw into place.



Preparing your blind for trimming

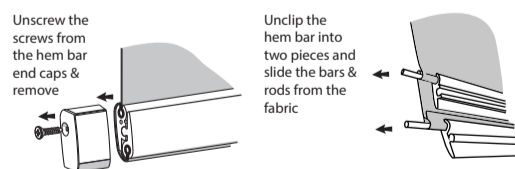
Remove the blind from the pack. Detach the fabric from the headrail by peeling the loop tape away from the hook tape mounted on the headrail. Remove all the Roman rods, bars and bottom bar including any cord guides.



The clip on cord guide is easily detached and reattached to the clip on back bar



The Clip on cord guide is attached to the 2nd to bottom and bottom clip on back bar.



Trimming the fabric

Measure the width and drop where you would like to fit your blind. Add extra fabric allowance to your measurements if required.

Trim the rods and bars to the same width as your headrail using a hacksaw. Trim each size of the rods and bars equally.

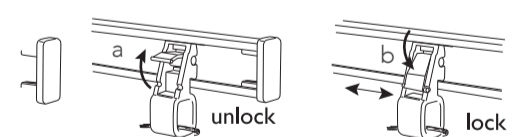
When trimming the fabric cut both sides equal sized.

Note It is important that you use sharp scissors to trim the fabric to size.



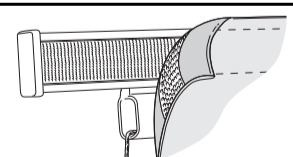
Positioning the cord guides along the back of the blind

- To position the cord guides push up release catch A, slide to desired position, spaced equally and exactly above a row of loops on the tape.
- Lock by pressing the catch back down.



Attaching the fabric to the blind

Line up the blind/loop tape with the hook tape on the headrail and press firmly to secure the blind in place.



Cording the blind

For ease of assembling the headrail is pre-corded.

- With the split cord collector no less than 20cm from the cord pulley and the blind laid flat, work from the blind top. Where each cord will drop from the cord guides, thread the cord vertically through the hole on the rod bar cover.
- On the bottom two back bars attach the clip on cord guides as shown on diagram b. Then place the cord through the hoop of the clip on cord guide. Make sure that all the cords are level in length, this will ensure the blind will pull up evenly. After the cords are made level, knot the cord around the hoop of the bottom clip on cord guide.

