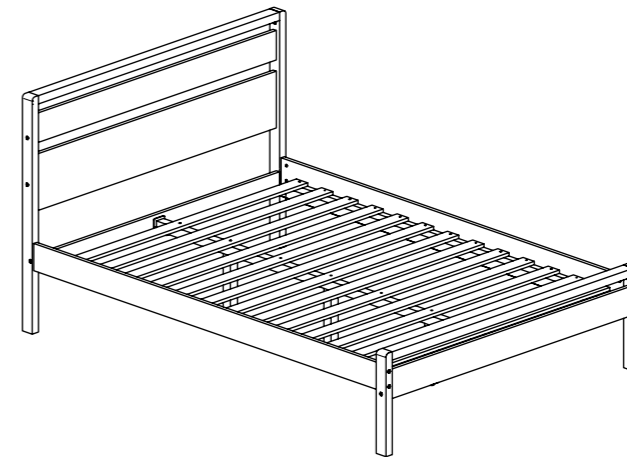
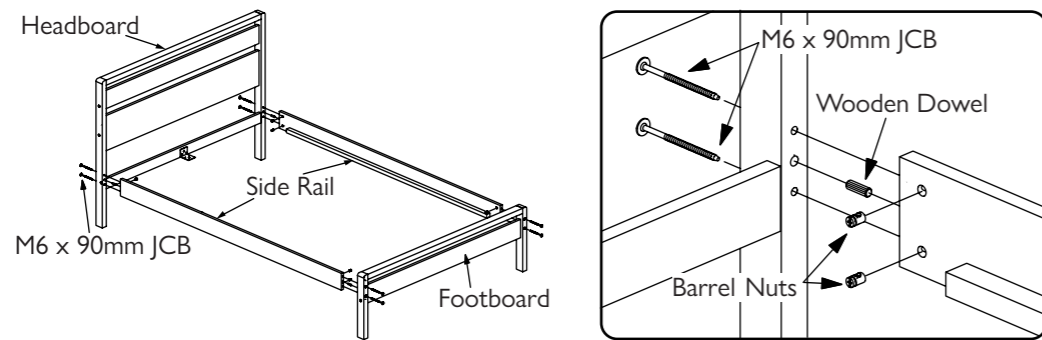


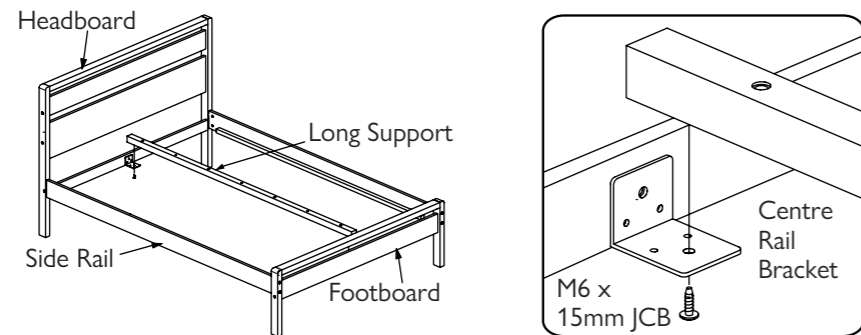
### STEP 8

Attach the Side Rails to the Headboard and Footboard with Barrel Nuts, Wooden Dowels and M6 x 90mm JCB.



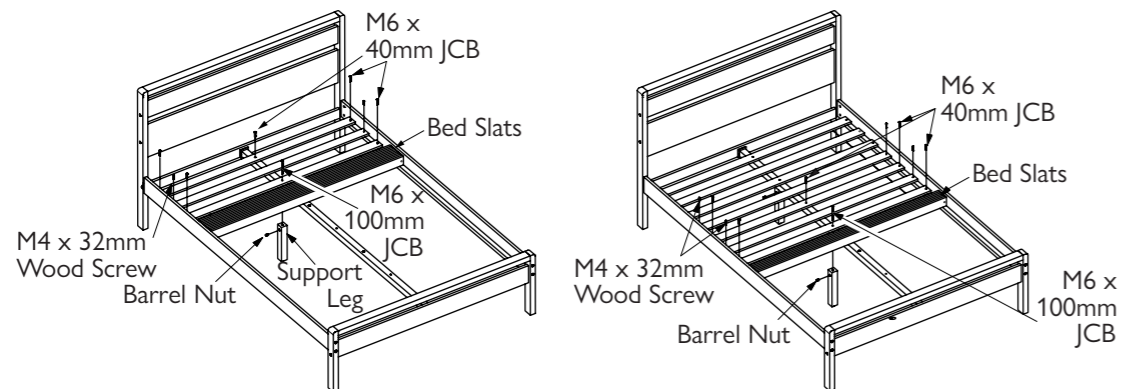
### STEP 9

Bolt the Long Support to the Centre Rail Support Brackets with M6 x 15mm JCB.



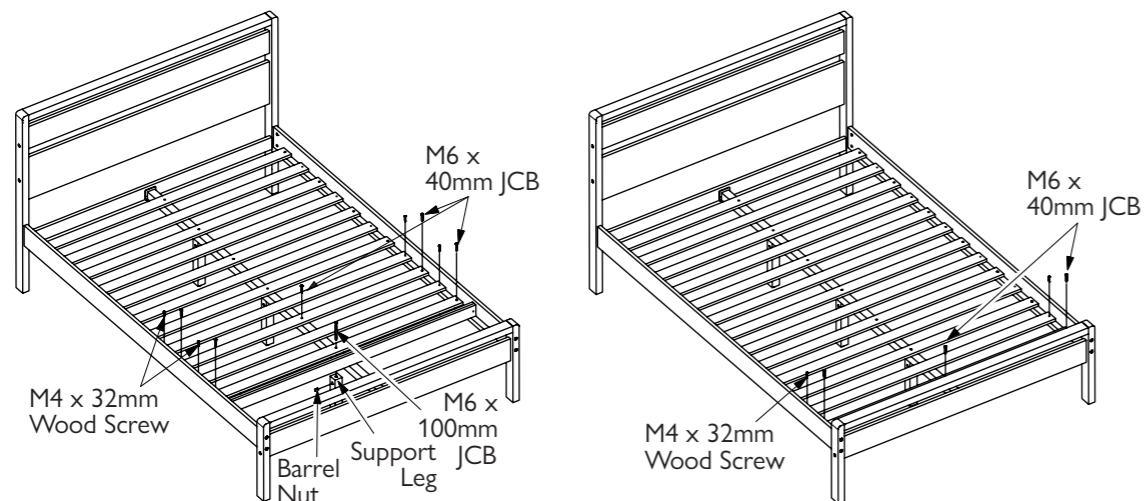
### STEP 10

Lay the first 3 Slats and attached these to the Side Rail using bolts and screws. Attach the first Support Leg to the Long Support and Slats. Repeat with the second lot of Slats and Support Leg.



### STEP 11

Lay Slats until the third Support Leg, attach these and the Support Leg with bolts and screws. Attach the remaining Slats, then bolt and screw these to the Side Rail.



## KY29I WOODEN BED

Thank you for your purchase. The following care instructions will allow you to make the most of your bed, helping to prolong the look and life of it by preventing wear and damage.

### IMPORTANT INFORMATION

**PLEASE ENSURE YOU READ THIS LEAFLET BEFORE USING YOUR BED. DO NOT DISCARD OF ANY PACKAGING UNTIL YOU HAVE CHECKED THE PRODUCT THOROUGHLY.**

### CARING FOR YOUR BED

- Pre-brush any fabric with a soft brush and then gently vacuum.
- Use a microfibre cloth to remove dust from wooden surfaces.
- In the event of a spill or stain, use specialist cleaning services.

### SUNLIGHT AND HEAT DAMAGE

- Avoid contact with direct sunlight. If needed, move items or change their position to avoid the same area being exposed to repeated sunlight/heat.
- Do not place your bed close to fire places and/or radiators.
- Hot objects such as mugs/plates can permanently mark fabric and wood, avoid placing these on the bed.
- Do not allow children or pets to climb or jump on the bed.
- Avoid contact with sharp objects such as buckles, toys and jewellery as these can easily snag, tear, pull and/or scratch the fabric/wood.

### PARTS LIST

BOX 1			BOX 2		
IMAGE	DESCRIPTION	QTY	IMAGE	DESCRIPTION	QTY
	Top Cap	2		Headboard Post (Left)	1
	Headboard Top Panel	1		Headboard Post (Right)	1
	Headboard Middle Panel	1		Side Rail	2
	Headboard Bottom Panel	1		Long Support	1
	Footboard Bottom Panel	1		Footboard Post (Left)	1
	Bed Slats	1 pack		Footboard Post (Right)	1
	Footboard Support Bar	1		Support Leg	3

## HARDWARE LIST

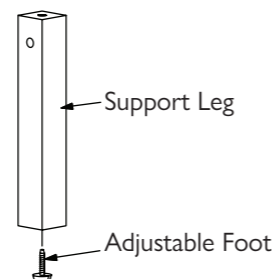
NO	IMAGE	DESCRIPTION	QTY	NO	IMAGE	DESCRIPTION	QTY
1		M6 x 100mm JCB	3	8		M10 x 40mm Wooden Dowel	14
2		M6 x 90mm JCB	8	9		Barrel Nut	19
3		M6 x 70mm JCB	8	10		'L' Bracket	4
4		M6 x 40mm JCB	18	11		Centre Rail Bracket	2
5		M6 x 30mm JCB	2	12		Adjustable Foot	3
6		M6 x 15mm JCB	12	13		Allen Key	1
7		M4 x 32mm Wood Screw	12				

## ASSEMBLY INSTRUCTIONS

Unpack your bed and check that all the items on the Parts and Hardware Lists are present. If any are missing, please contact the retailer from whom you purchased the product. We would advise two people to assemble this product. Avoid using power tools for assembly as this can cause bolts to be overtightened and/or frame damage.

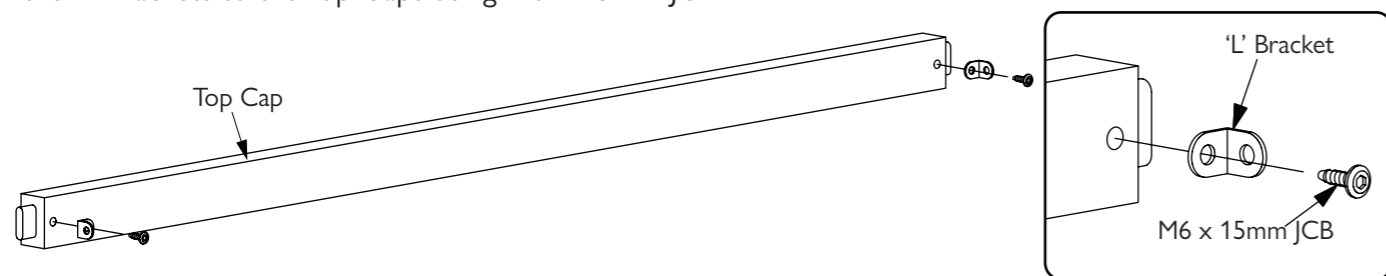
### STEP 1

Assemble your bed on a flat and soft surface to prevent any damage. Attach an Adjustable Foot to each of the Support Legs.



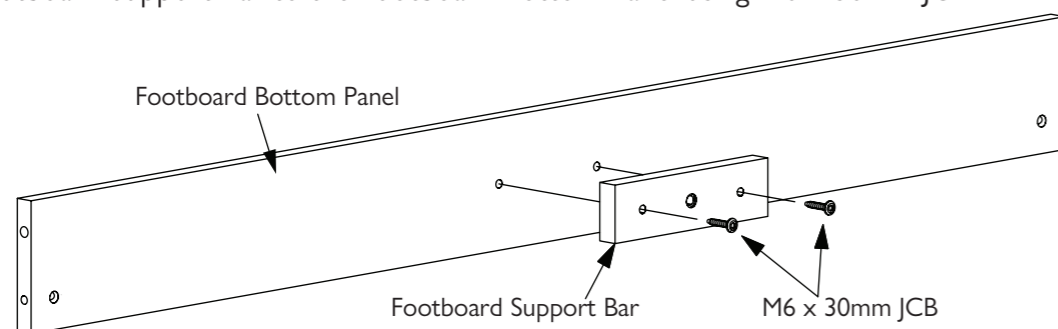
### STEP 2

Fix the 'L' Brackets to the Top Caps using M6 x 15mm JCB.



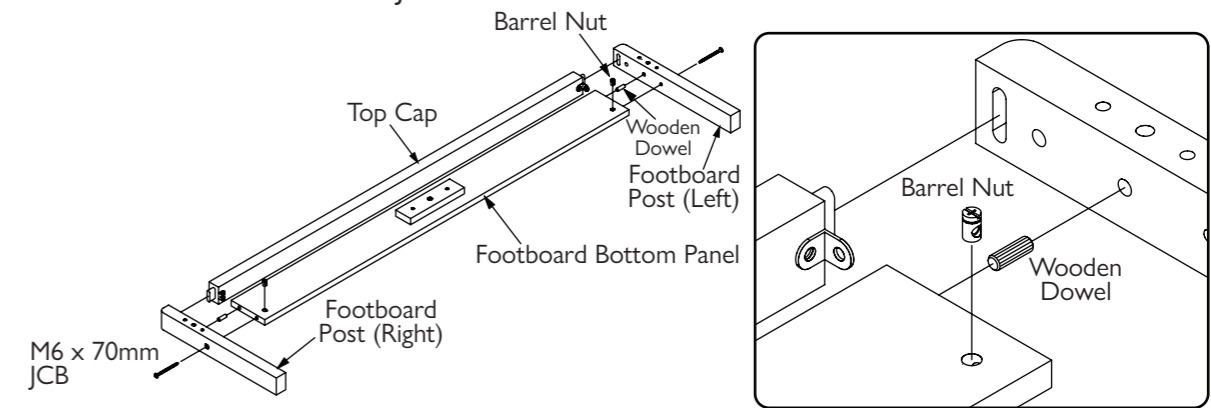
### STEP 3

Attach the Footboard Support Bar to the Footboard Bottom Panel using M6 x 30mm JCB.



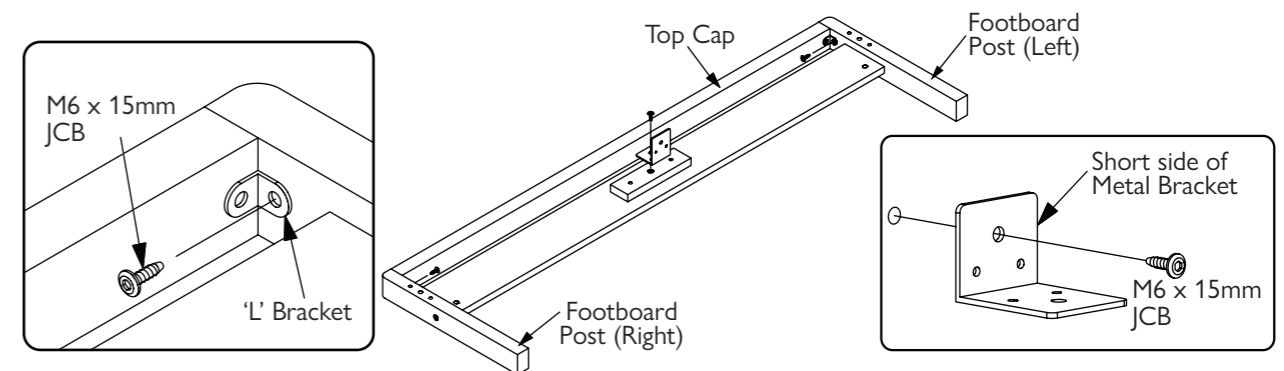
### STEP 4

Attach the Footboard Posts to the assembled Top Cap and Footboard Bottom Panel using Barrel Nuts, Wooden Dowels and M6 x 70mm JCB.



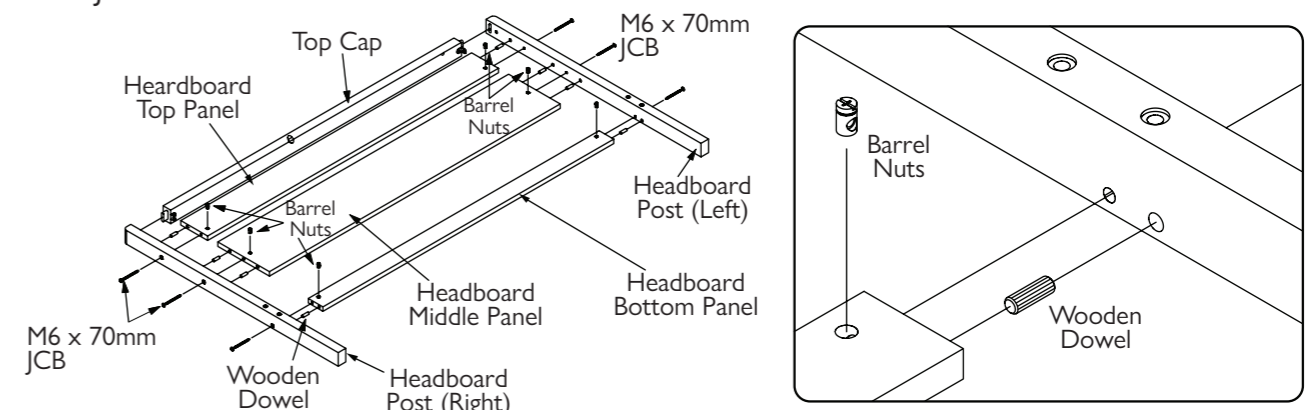
### STEP 5

Bolt the 'L' Brackets to the Footboard Posts using M6 x 15mm JCB. Attach the Centre Rail Bracket to the Footboard Bottom Panel with M6 x 15mm JCB.



### STEP 6

Attach the Headboard Panels and Top Cap to the Headboard Posts using Barrel Nuts, Wooden Dowels and M6 x 70mm JCB.



### STEP 7

Bolt the 'L' Brackets to the Headboard Posts using M6 x 15mm JCB. Attach the Centre Rail Bracket to the Footboard Bottom Panel with M6 x 15mm JCB.

