

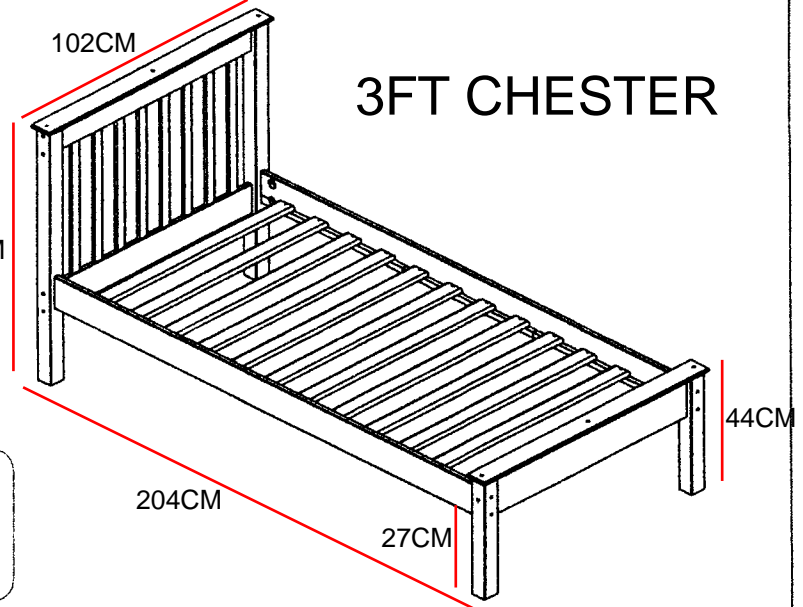


* Please assemble on a clean soft surface to avoid damage.
 * Do not use power tools to assemble this product.

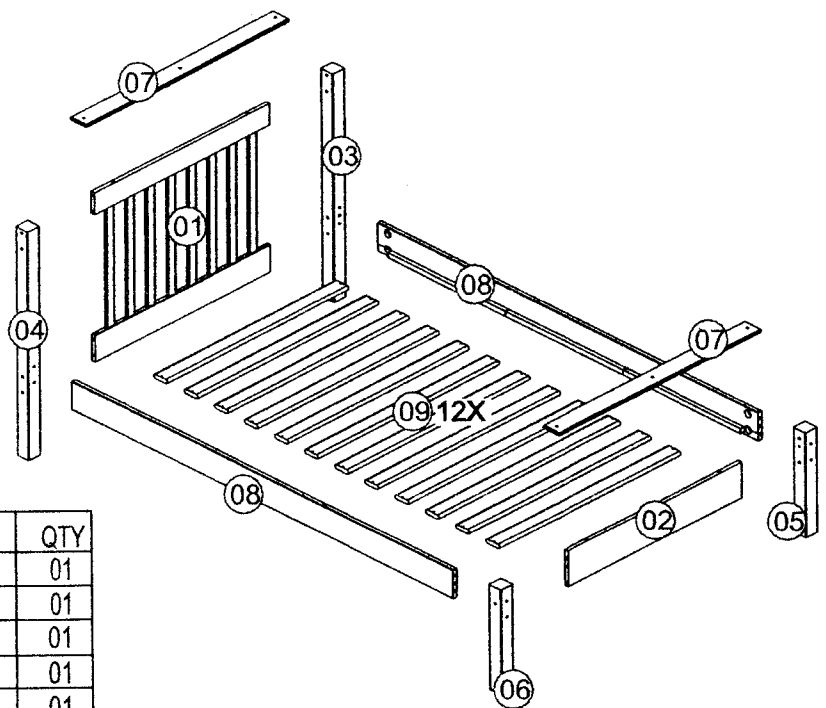
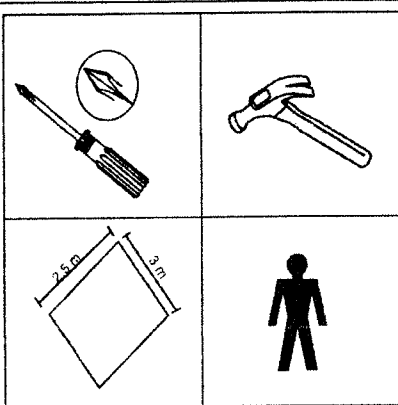
102CM

3FT CHESTER

94CM



* Please check contents and instructions before commencing assembly.
 * Assemble this article following the enclosed instructions carefully.
 * Please take care to avoid damaging panels during assembly.

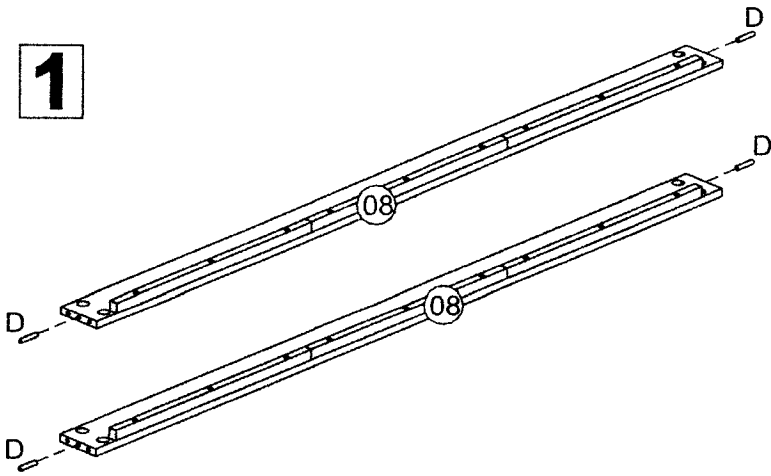


ITEM	DESCRIPTION	QTY
01	HEADBOARD	01
02	FOOTBOARD	01
03	RIGHT FOOT OF THE HEADBOARD	01
04	LEFT FOOT OF THE HEADBOARD	01
05	RIGHT FOOT OF THE FOOTBOARD	01
06	LEFT FOOT OF THE FOOTBOARD	01
07	HEAD/FOOTBOARD COMPLETION	02
08	SIDE RAILS	02
09	SLATS	12

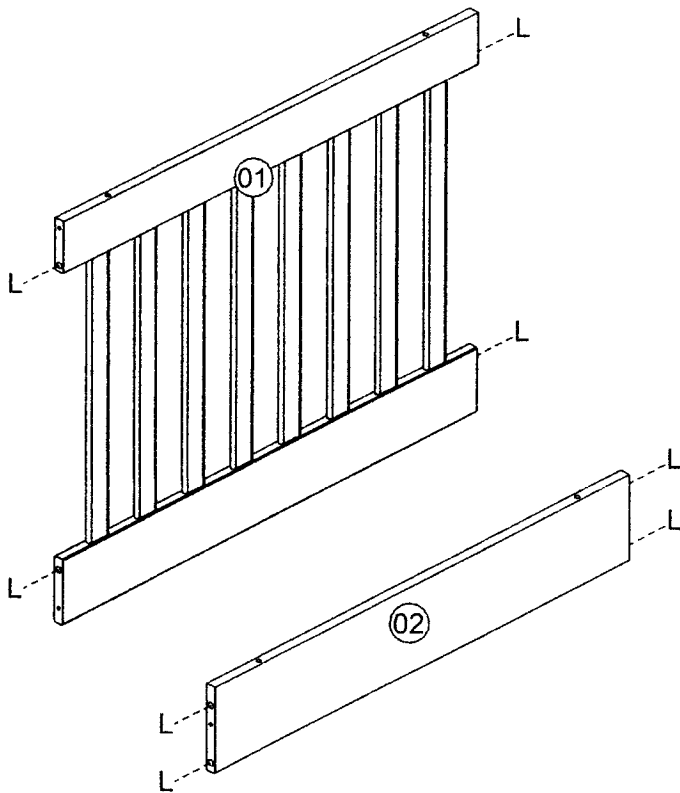
A	1/4 X 110 SCREW	08
B	HALF MOON	08
C	HEX SCREWDRIIVER	01
D	10X50 WOOD DOWEL	04
E	4,0X30 SCREW	30

F	WOOD CAP	06
G	SPACER BLOCK	02
H	8X30 WOOD DOWEL	04
L	10X40 WOOD DOWEL	08
M	7X100 BOLT (cab17)	06

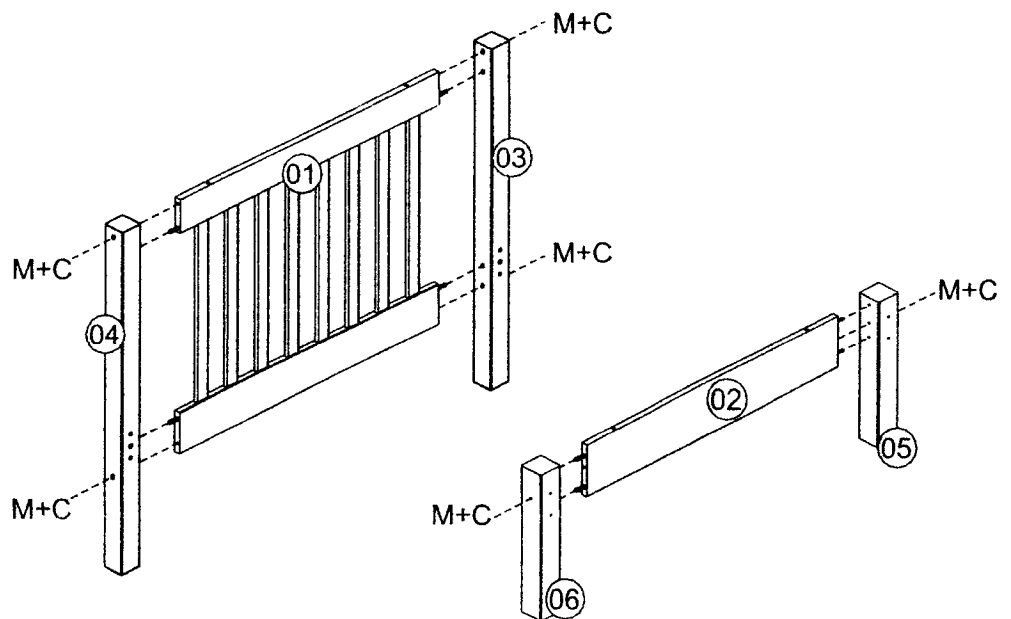
1



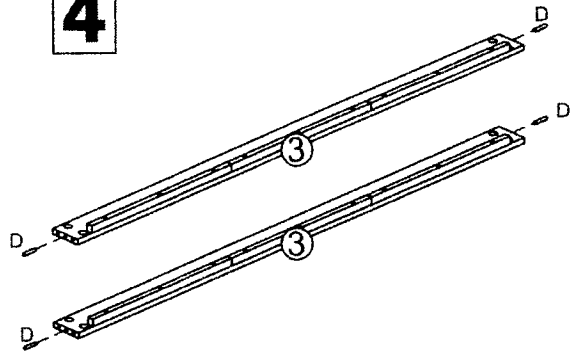
2



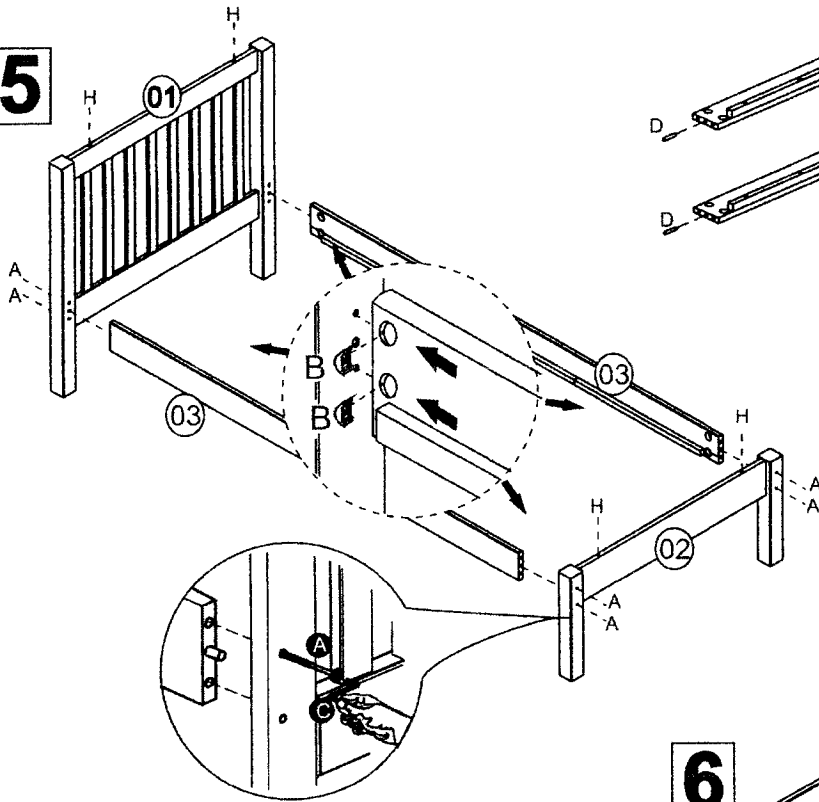
3



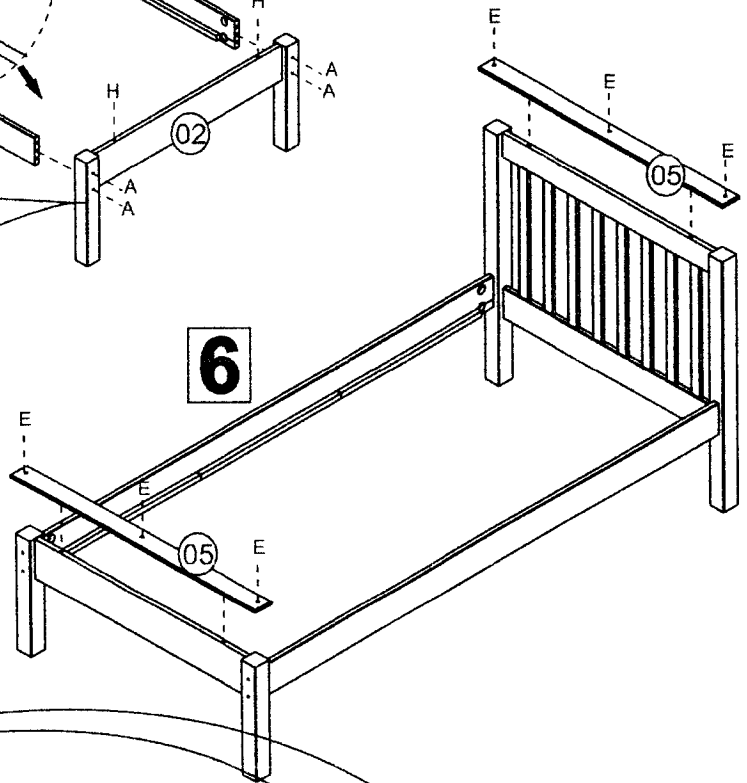
4



5



6



7

