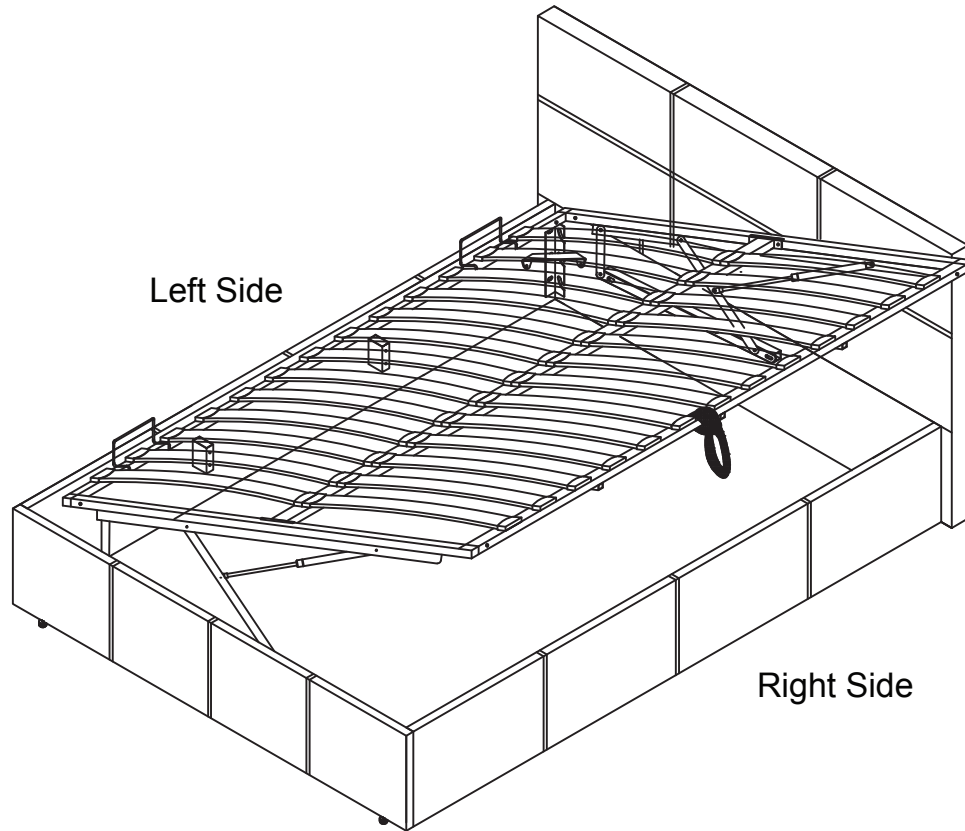


# SIDE LIFT OTTOMAN BED ASSEMBLY INSTRUCTIONS

Thank you for purchasing the SIDE LIFT OTTOMAN BED.  
Please read the instructions carefully to ensure safe operation of the product.



2010mm×1060mm×840mm	3ft	SINGLE
2010mm×1360mm×840mm	4ft	SMALL DOUBLE
2010mm×1510mm×840mm	4ft 6	DOUBLE
2110mm×1660mm×840mm	5ft	KING

PVC

**PLEASE READ** this sheet prior to assembly to familiarise yourself with the various stages of construction.

Carefully open the pack supplied and check the contents against the parts and fittings check list.  
Do not destroy any of the packaging until you are certain that you have all the necessary parts for the assembly.

**CAUTION:** There are small components used in the construction of this unit. These loose items should be kept away from young children whilst assembling your unit to avoid the danger of choking hazards.

## Tools Required



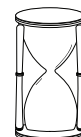
5mm Allen key x 1



4mm Allen key x 1



Spanner x 1



1.5 Hour  
Set Up

# SIDE LIFT OTTOMAN BED ASSEMBLY INSTRUCTIONS

## **IMPORTANT - READ CAREFULLY - RETAIN THESE INSTRUCTIONS FOR FUTURE REFERENCE.**

### **INFORMATION**

- This product is intended for a maximum person's weight of 110kg per side. Do not exceed this weight.
- Due to the size of this product we recommend that it is assembled in the room intended for use.
- When you are ready to start, make sure that you have the right tools, plenty of space and a clean, dry area for assembly.
- Unwrap all packaging materials and place the components on top of the carton box or on a clean floor to prevent it from scratching.
- Check the pack and make sure you have all the parts listed.
- Ensure that this product is fully assembled and secured as illustrated before use.
- Check all screws or bolts are tightened and inspect regularly.
- This product should only be used on firm, level ground.
- Please dismantle for transportation
- Tools are included.

### **WARNINGS**

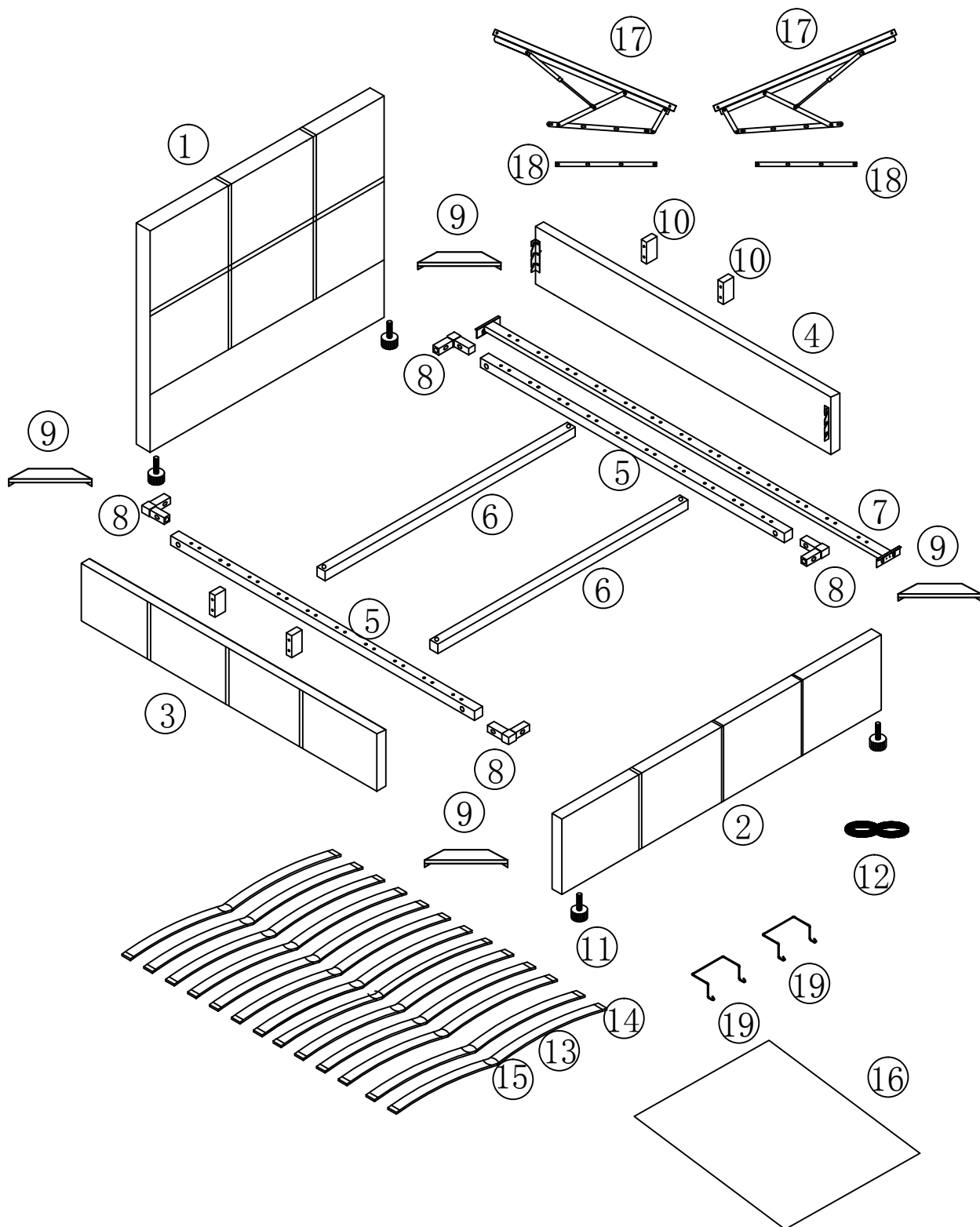
- Only use the storage compartment when the frame is fully raised in the up position.
- DO make sure the legs remain in contact with the ground.
- DO keep small parts out of reach of children.
- DO use caution when operating, this bed uses a pressured mechanism.
- DO keep hands and fingers clear of the mechanism when opening and closing the bed for use.
- DO NOT use power tools to construct this product.
- DO NOT tighten screws until fully assembled.
- DO NOT over tighten screws or bolts.
- DO NOT use this product if parts are missing, damaged or worn.
- DO NOT stand on the product.
- DO NOT remain on the bed whilst the lifting mechanism is in use.
- DO NOT expose this product to dripping or splashing, rain or areas with heavy moisture.
- DO NOT place any objects filled with liquids, such as vases, on the product.
- DO NOT insert foreign objects into the product or attempt to repair this unit by yourself.
- DO NOT place the product in direct sunlight, open flames such as candles or heat, such as radiators. Keep away from temperatures over 35°C.

### **CARE INFORMATION**

- Never use scourers, abrasives or chemical cleaners.
- To clean wipe with a sponge and warm soapy water. Do not use solvent based cleaners or detergents as they can bleach or damage the product.

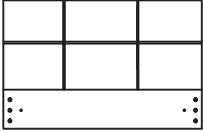

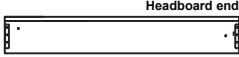
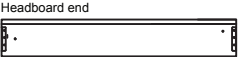




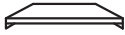










# SIDE LIFT OTTOMAN BED ASSEMBLY INSTRUCTIONS

Please check the pack contents before assembling the product. If any components are missing, please contact your retailer. The fittings pack contains small items that should be kept away from small children.



# SIDE LIFT OTTOMAN BED ASSEMBLY INSTRUCTIONS

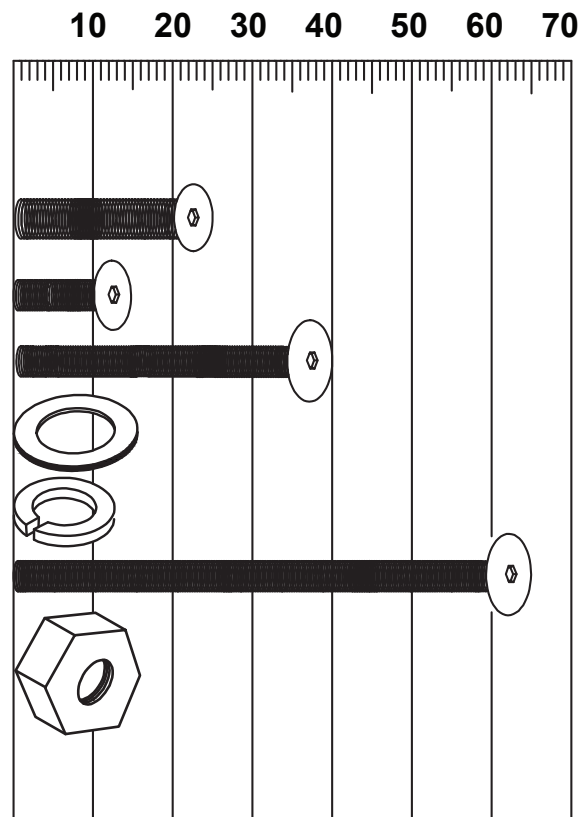
## Parts

<p>1</p> 	<p>2</p> 	<p>3</p> 
<p>Description: HEADBOARD Qty: 1PC Carton No: 1 of 2</p>	<p>Description: FOOTBOARD Qty: 1PC Carton No: 1 of 2</p>	<p>Description: LEFT SIDE RAIL Qty: 1PC Carton No: 2 of 2</p>
<p>4</p> 	<p>5</p> 	<p>6</p> 
<p>Description: RIGHT SIDE RAIL Qty: 1PC Carton No: 2 of 2</p>	<p>Description: SIDE FRAME RAIL Qty: 2PCS Carton No: 2 of 2</p>	<p>Description: HORIZONTAL FRAME RAIL Qty: 2PCS Carton No: 1 of 2</p>
<p>7</p> 	<p>8</p> 	<p>9</p> 
<p>Description: CENTRE FRAME RAIL Qty: 1PC Carton No: 2 of 2</p>	<p>Description: PLASTIC BRACKET SETS Qty: 4PCS Carton No: 1 of 2</p>	<p>Description: CORNER BRACKETS Qty: 4PCS Carton No: 1 of 2</p>
<p>10</p> 	<p>11</p> 	<p>12</p> 
<p>Description: HOLDING BLOCKS Qty: 4PCS Carton No: 1 of 2</p>	<p>Description: ADJUSTABLE LEGS Qty: 4PCS Carton No: 1 of 2</p>	<p>Description: BELT Qty: 1PC Carton No: 1 of 2</p>
<p>13</p> 	<p>14</p> 	<p>15</p> 
<p>Description: BENT SLATS Qty: 4'6": 26 PCS / 5': 30 PCS Carton No: 1 of 2</p>	<p>Description: PLASTIC SLAT CAPS Qty: 4'6": 26 PCS / 5': 30 PCS Carton No: 1 of 2</p>	<p>Description: CENTRE SLAT CAPS Qty: 4'6": 13PCS / 5': 15PCS Carton No: 1 of 2</p>
<p>16</p> 	<p>17</p> 	<p>18</p> 
<p>Description: WOVEN FABRIC Qty: 1PC Carton No: 1 of 2</p>	<p>Description: HINGE ARM Qty: 2 PCS Carton No: 2 of 2</p>	<p>Description: HINGE SUPPORT RAIL Qty: 2 PCS Carton No: 2 of 2</p>
<p>19</p>  <p>Description: MATTRESS STOPPER Qty: 2 PCS Carton No: 1 of 2</p>		

# SIDE LIFT OTTOMAN BED ASSEMBLY INSTRUCTIONS

## Fixings (to scale)

Ref	Dimensions	Qty
A	Bolt-M8x25	12
B	Bolt-M6x15	12
C	Bolt-M6x40	12
D	Flat Washer-Ø8x16	12
E	Spring Washer-Ø8x13	12
F	Bolt-M6x65	8
G	Nut-M8x16	2



## (Not to scale)

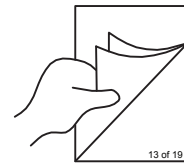
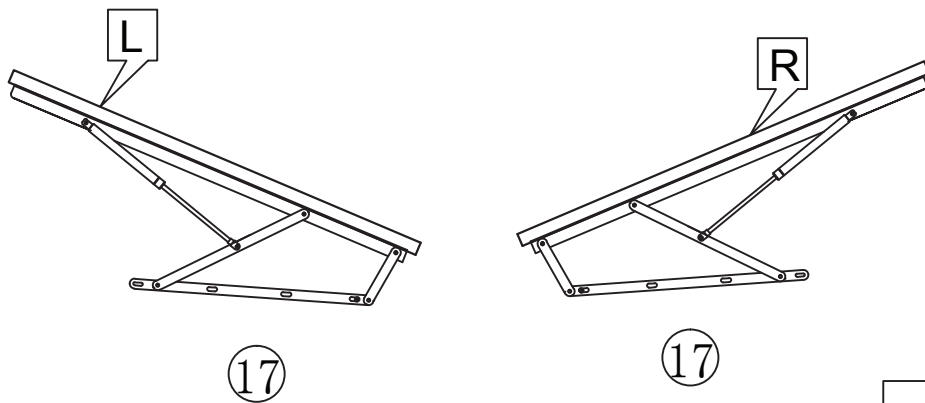
Ref	Dimensions	Qty
H	4mm Allen Key	1
I	5mm Allen Key	1
J	Spanner	1



**CAUTION:** There are many small components used in the construction of this product. Please keep these components away from young children whilst assembling this product .

If you keep the fittings in a bowl during assembly you will be less likely to lose them!

# SIDE LIFT OTTOMAN BED ASSEMBLY INSTRUCTIONS



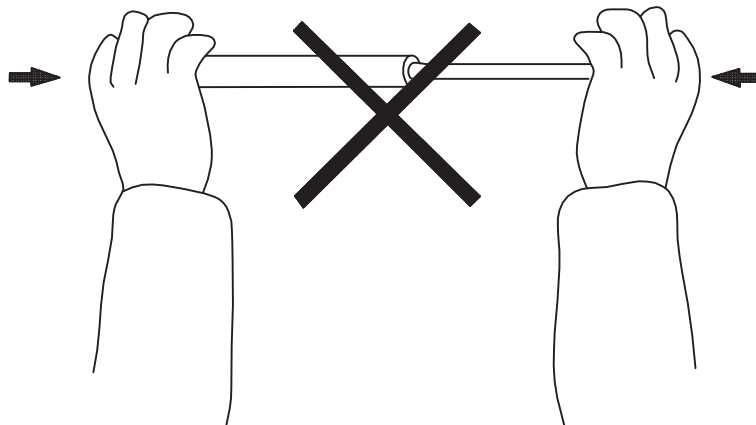
Turn to page 13 for fitting the hinges

## IMPORTANT PISTON INFORMATION

The pistons used in the construction of this product are extremely strong and cannot be operated by hand when not fitted to the ottoman hinges. All pistons are tested in the factory for correct pressure and operation before use.

**Initially it might appear that the pistons are very stiff when opening and closing the ottoman frame, THIS IS NORMAL.**

After operating the ottoman a few times, the movement of the pistons and the opening and closing of the ottoman will become easier.



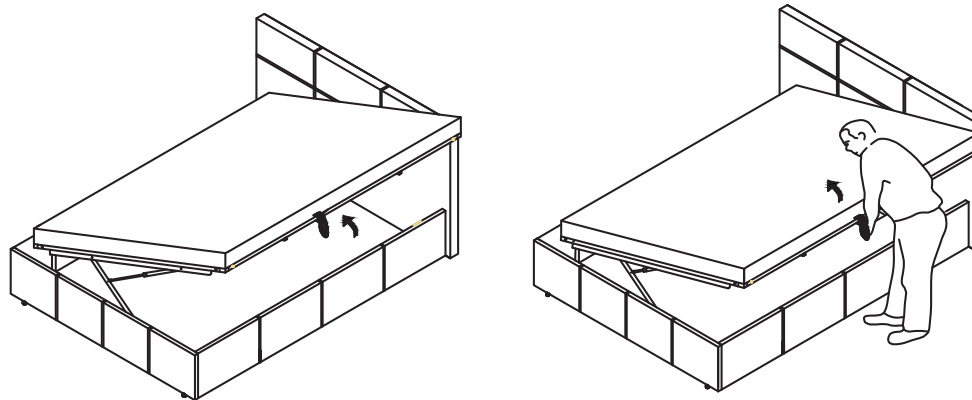
# SIDE LIFT OTTOMAN BED ASSEMBLY INSTRUCTIONS

## Hints and Tips

To close the ottoman, always use 2 hands at arms length and only where illustrated on this product. You must ensure the mattress is on the bed frame before lifting the mechanism. **Failure to do so may result in injury.**

**Use the lifting strap to open the ottoman.**

To ensure your safety please do not stand too close in case the frame bounces up. The weight of the mattress loaded on the frame will keep the frame in a lower position until it is pulled upwards by the user.



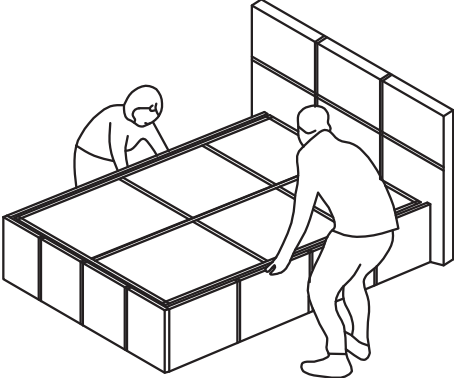
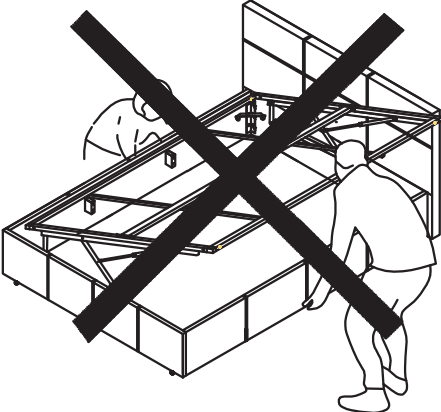
If removing the mattress, make sure the frame is secured so it does not flip open. When lifting the bed frame, remove pillows and covers.

**PLEASE NOTE** - It takes a lot of force to make the initial movement of the ottoman - **THIS IS A DESIGN FEATURE OF THE PRODUCT SO THAT IT DOES NOT FALL SHUT** - and the nearer to being closed the ottoman is, the easier it is to move. When the ottoman is almost shut, keep fingers and hands clear and it will close completely under its own weight.

When lowering the slat unit for the first time, take care to make sure it does not rub unevenly on the inside face of the Side Rail. If it does, the bed has been assembled slightly out of square. This can be rectified by moving the Footboard of the bed slightly to the left or right whilst leaving the headboard of the bed frame stationary.

# SIDE LIFT OTTOMAN BED ASSEMBLY INSTRUCTIONS

Do not attempt to move the bed whilst the frame is in the upright position.

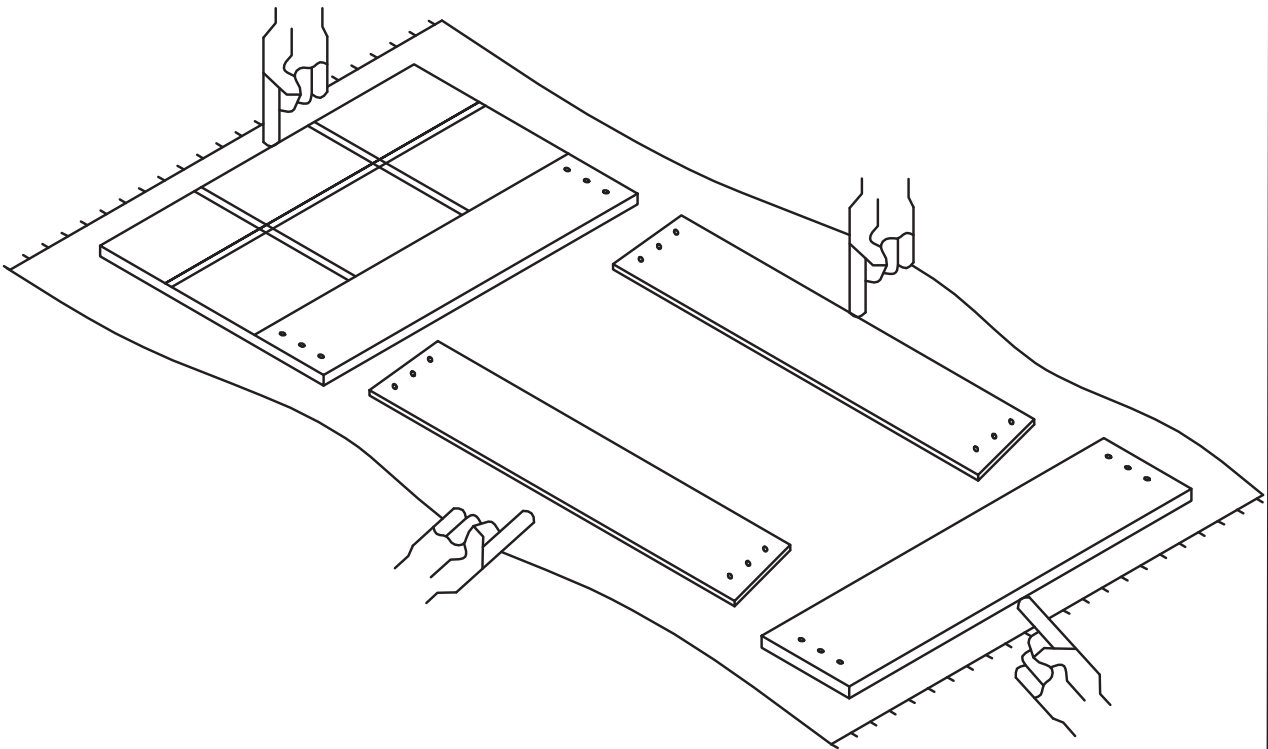




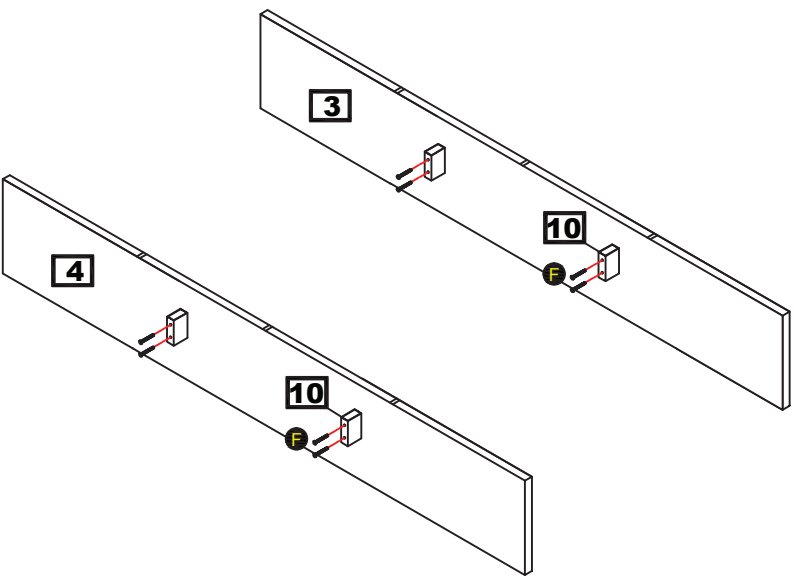
# SIDE LIFT OTTOMAN BED ASSEMBLY INSTRUCTIONS

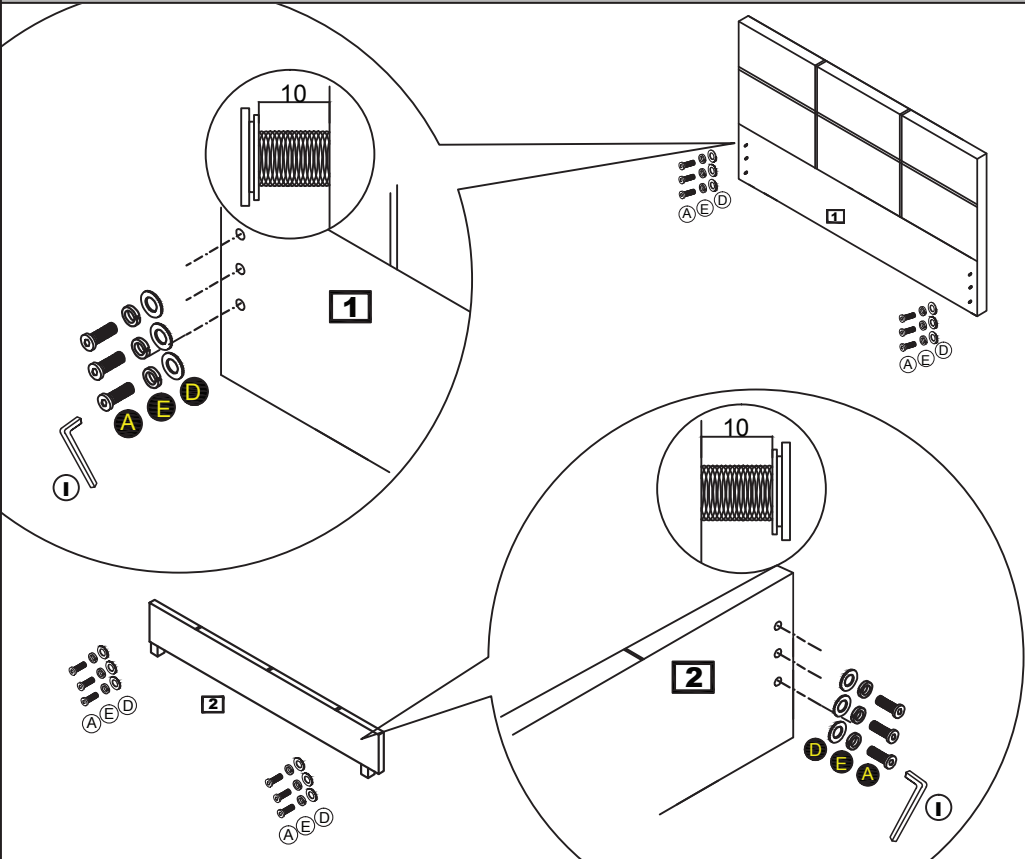
## Layout Parts on Soft Surface

Lay out all 4 sides on a soft surface i.e. Rug, Carpet or Packaging Carton.

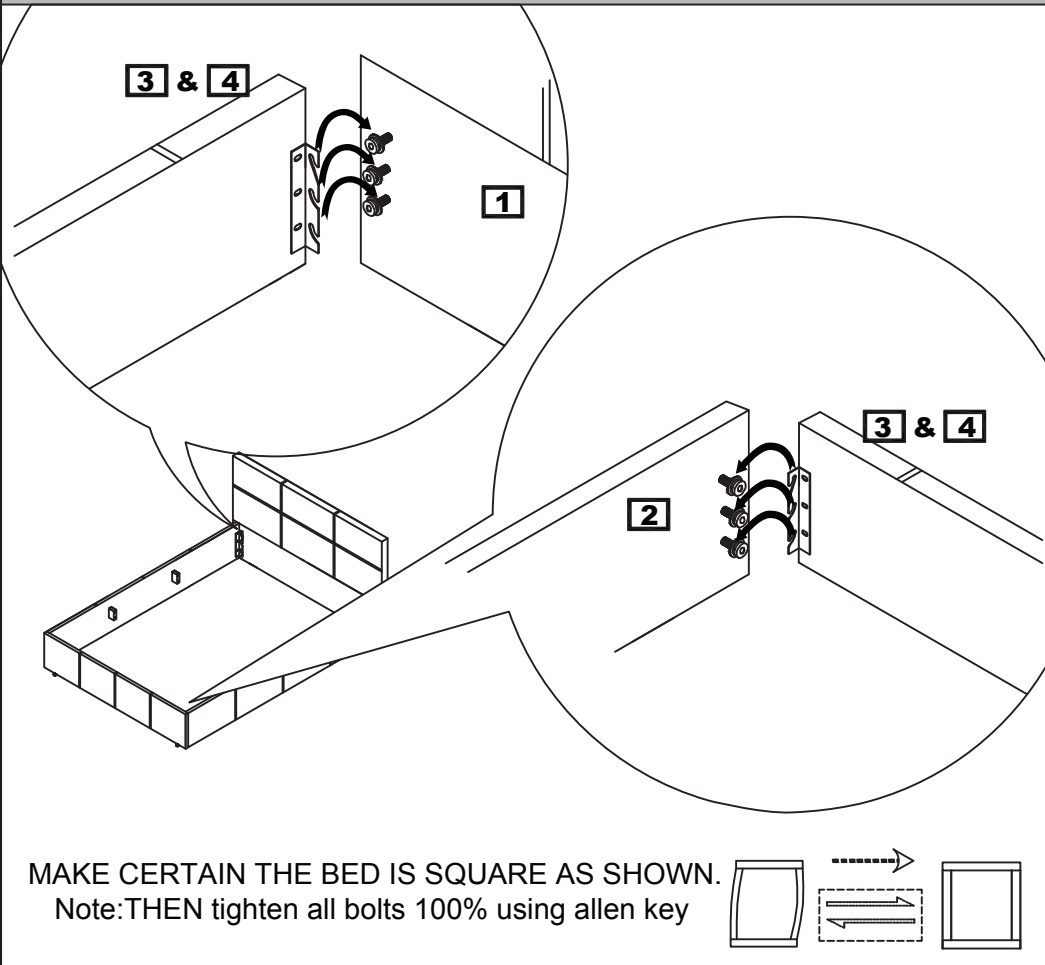


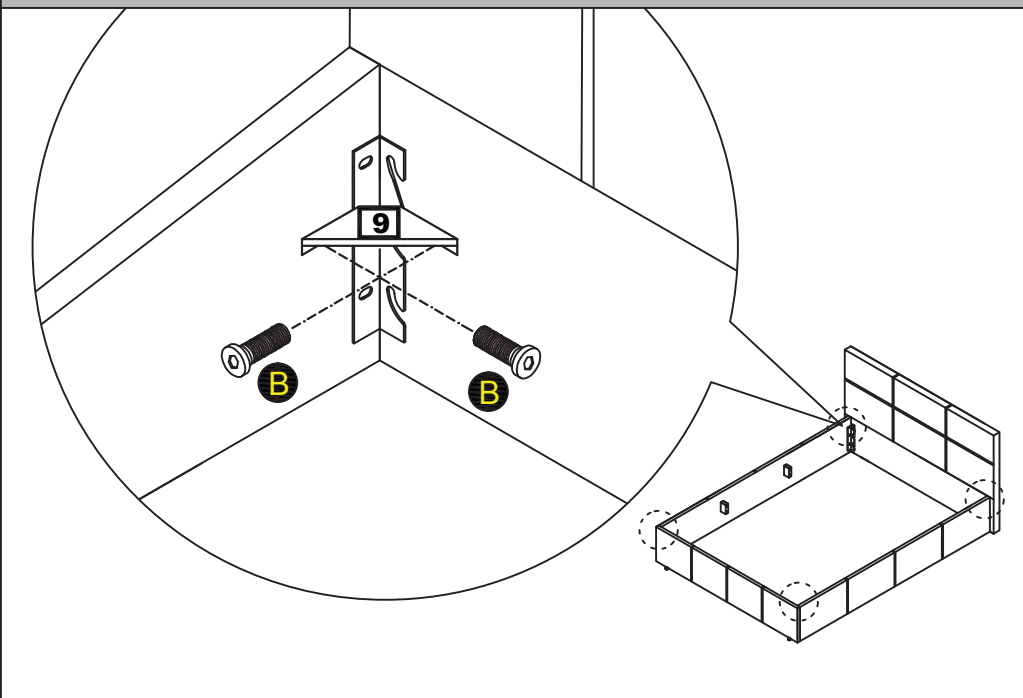
# SIDE LIFT OTTOMAN BED ASSEMBLY INSTRUCTIONS

Step 1	Parts Required
	<ul style="list-style-type: none"> <li><b>3</b> Left side rail x 1</li> <li><b>4</b> Right side rail x 1</li> <li><b>10</b> Holding blocks x 4</li> <li><b>F</b> 65mm M6 Bolt x8</li> <li><b>H</b> 4mm Allen key</li> </ul>

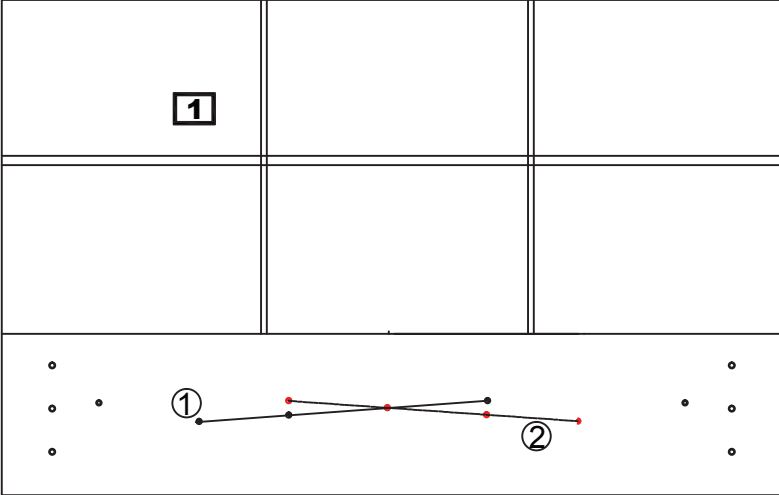
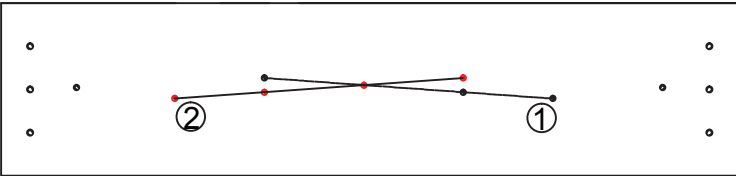
Step 2	Parts Required
	<ul style="list-style-type: none"> <li><b>1</b> Headboard x 1</li> <li><b>2</b> Footboard x 1</li> <li><b>A</b> 25mm M8 Bolt x 12</li> <li><b>E</b> Spring washer x 12</li> <li><b>D</b> Flat washer x 12</li> <li><b>I</b> 5mm Allen key</li> </ul>

# SIDE LIFT OTTOMAN BED ASSEMBLY INSTRUCTIONS

Step 3	Parts Required
 <p>MAKE CERTAIN THE BED IS SQUARE AS SHOWN.            Note: THEN tighten all bolts 100% using allen key</p>	<ul style="list-style-type: none"> <li><b>1</b> Headboard x 1</li> <li><b>2</b> Footboard x 1</li> <li><b>3</b> Left side rail x 1</li> <li><b>4</b> Right side rail x 1</li> <li><b>I</b> 5mm Allen key</li> </ul>

Step 4	Parts Required
	<ul style="list-style-type: none"> <li><b>9</b> Corner brackets x 4</li> <li><b>B</b> 15mm M6 Bolt x 8</li> <li><b>H</b> 4mm Allen key</li> </ul>

# SIDE LIFT OTTOMAN BED ASSEMBLY INSTRUCTIONS

Information	Parts Required
<p>① FOUR PRE-DRILLED HOLES ON HEADBOARD/FOOTBOARD FOR FIXING THE HINGE ARM LIFTING LEFT.</p> <p>② FOUR PRE-DRILLED HOLES ON HEADBOARD/FOOTBOARD FOR FIXING THE HINGE ARM LIFTING RIGHT.</p>  	<p>① Headboard x 1</p> <p>② Footboard x 1</p>

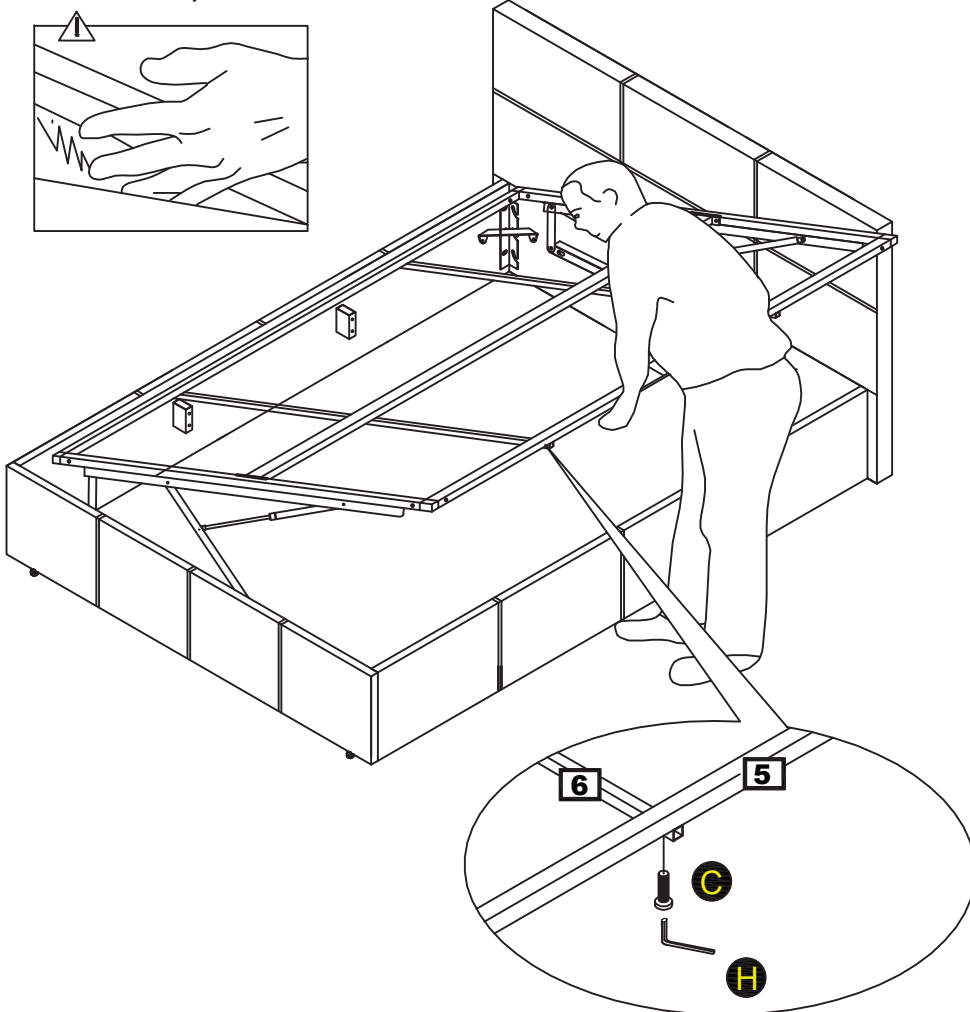
# SIDE LIFT OTTOMAN BED ASSEMBLY INSTRUCTIONS

Step 5	Parts Required
<p>NOTE: SECURE PISTON ARM TO HINGE ARM AS SHOWN</p> <p>Note: Secure bolt position as shown below.</p>	<ul style="list-style-type: none"> <li><b>1</b> Headboard x 1</li> <li><b>2</b> Footboard x 1</li> <li><b>17</b> Hinge arm x 2</li> <li><b>18</b> Hinge support rail x 2</li> <li><b>C</b> 40mm M6 Bolt x 8</li> <li><b>G</b> M8 Nut x 2</li> <li><b>H</b> 4mm Allen key</li> <li><b>J</b> Spanner</li> </ul>

# SIDE LIFT OTTOMAN BED ASSEMBLY INSTRUCTIONS

Step 6	Parts Required
<p>The diagram illustrates the assembly of the side frame rails and pneumatic arms. The main view shows the bed frame with parts 5, 7, and 17. Two circular callouts provide detailed views of the assembly process. The top callout shows a plastic bracket (8) being attached to a side frame rail (5) and a pneumatic arm (17). The bottom callout shows a pneumatic arm (17) being secured to a centre frame rail (7) with a 15mm M6 bolt (B) and a 4mm Allen key (H).</p>	<ul style="list-style-type: none"> <li><b>5</b> Side frame rail x 2</li> <li><b>7</b> Centre frame rail x 1</li> <li><b>8</b> Plastic bracket sets x 4</li> <li><b>17</b> Pneumatic arm x 2</li> <li><b>B</b> 15mm M6 Bolt x 4</li> <li><b>H</b> 4mm Allen key</li> </ul>

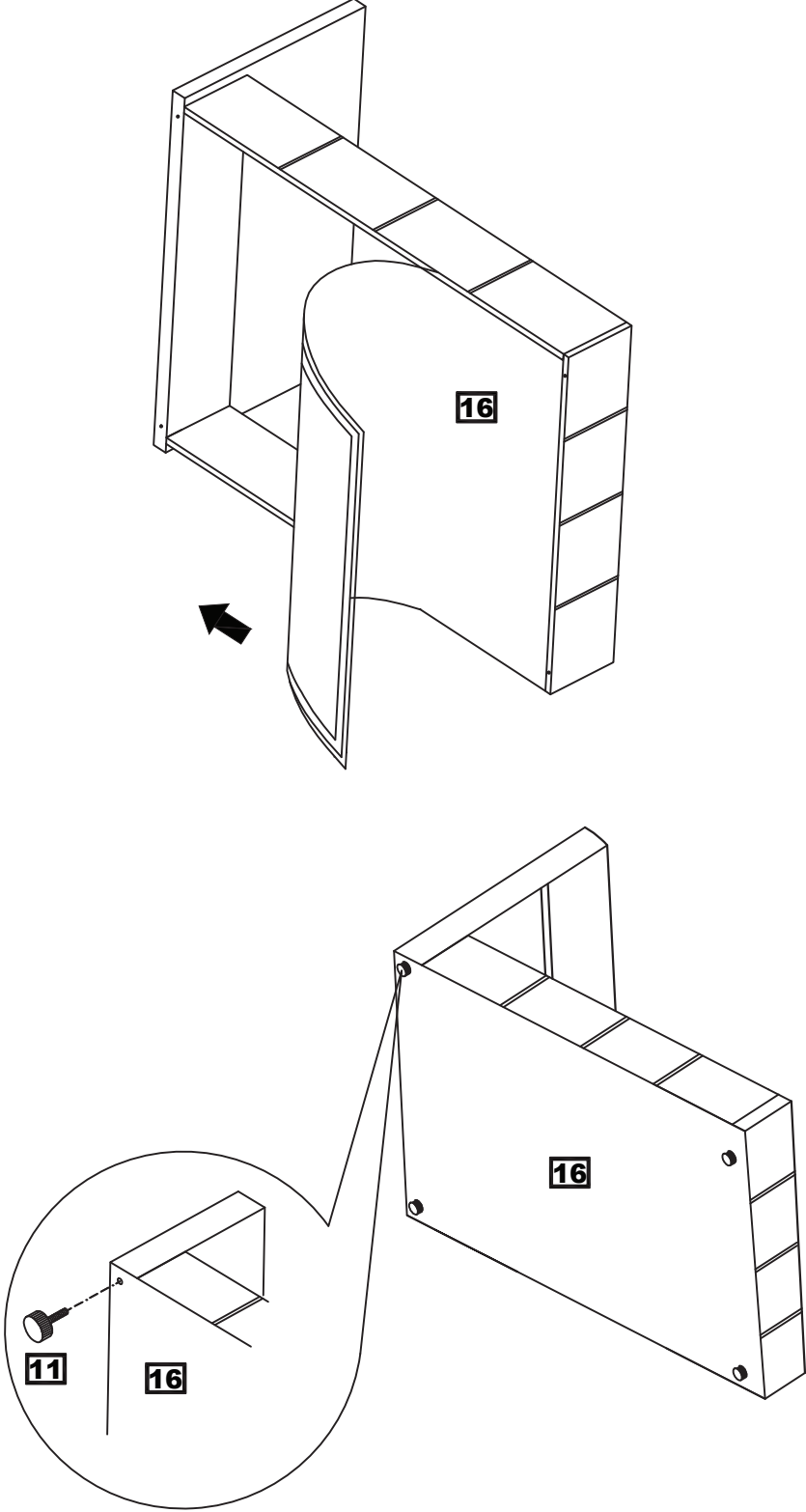
# SIDE LIFT OTTOMAN BED ASSEMBLY INSTRUCTIONS

Step 7	Parts Required
<p data-bbox="236 568 491 607">Hand entrapment</p> 	<ul style="list-style-type: none"><li data-bbox="1228 347 1420 376">5 Side frame rail x 2</li><li data-bbox="1228 383 1420 434">6 Horizontal frame rail x 2</li><li data-bbox="1228 450 1420 479">C 40mm M6 Bolt x 4</li><li data-bbox="1228 486 1420 515">H 4mm Allen key</li></ul>

# SIDE LIFT OTTOMAN BED ASSEMBLY INSTRUCTIONS

Step 8	Parts Required
--------	----------------

- 11** Adjustable legs x 4
- 16** Woven fabric x 1





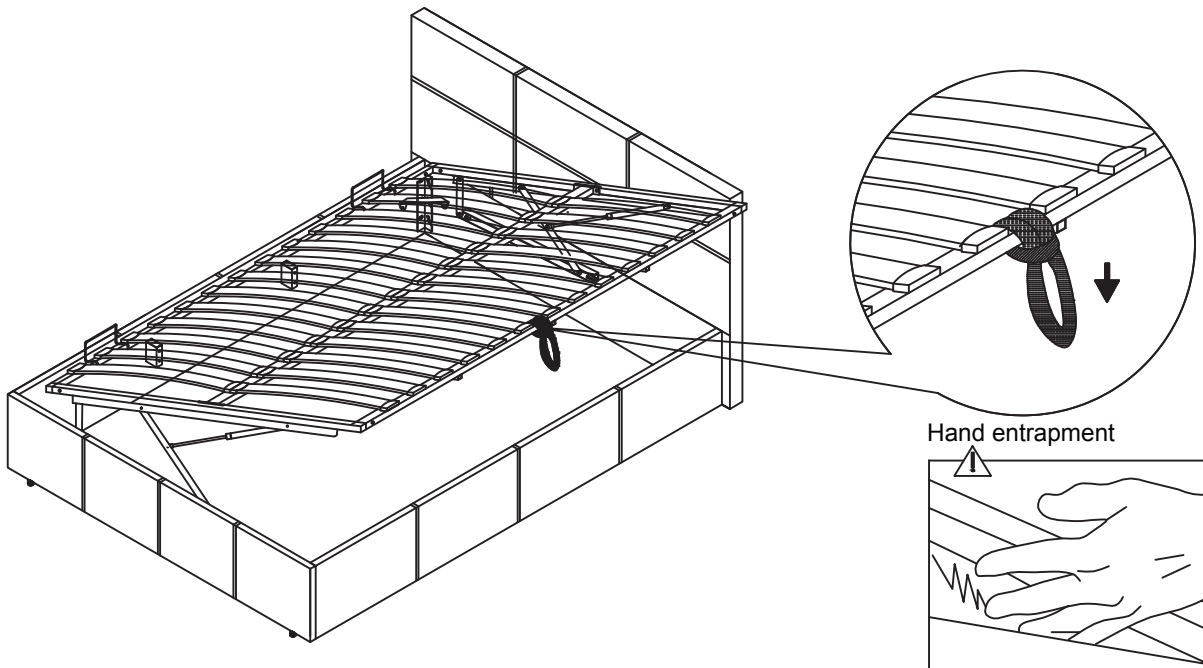
# SIDE LIFT OTTOMAN BED ASSEMBLY INSTRUCTIONS

Step 9	Parts Required
<p>The diagram illustrates the process of attaching bent slats (13) to the bed frame. It shows a top-down view of the slats being prepared with plastic caps (14) and center caps (15). A side view shows the slats being inserted into the frame. Callout A shows a belt (12) being attached to a slat, and callout B shows a mattress stopper (19) being attached to a slat.</p>	<ul style="list-style-type: none"> <li><b>12</b> Belt x 1</li> <li><b>13</b> Bent slats x 26/30</li> <li><b>14</b> Plastic slat caps x 26/30</li> <li><b>15</b> Centre slat caps x 13/15</li> <li><b>19</b> Mattress stopper x 2</li> </ul>

# SIDE LIFT OTTOMAN BED ASSEMBLY INSTRUCTIONS

## Complete Assembly

Your bed frame is now completely assembled but the ottoman will not operate correctly unless a mattress is placed on the slat frame and will not stay shut unless the mattress remains in position. To position the mattress on the slat frame, simply place the mattress on top of the slat frame whilst it is in the up (open) position.



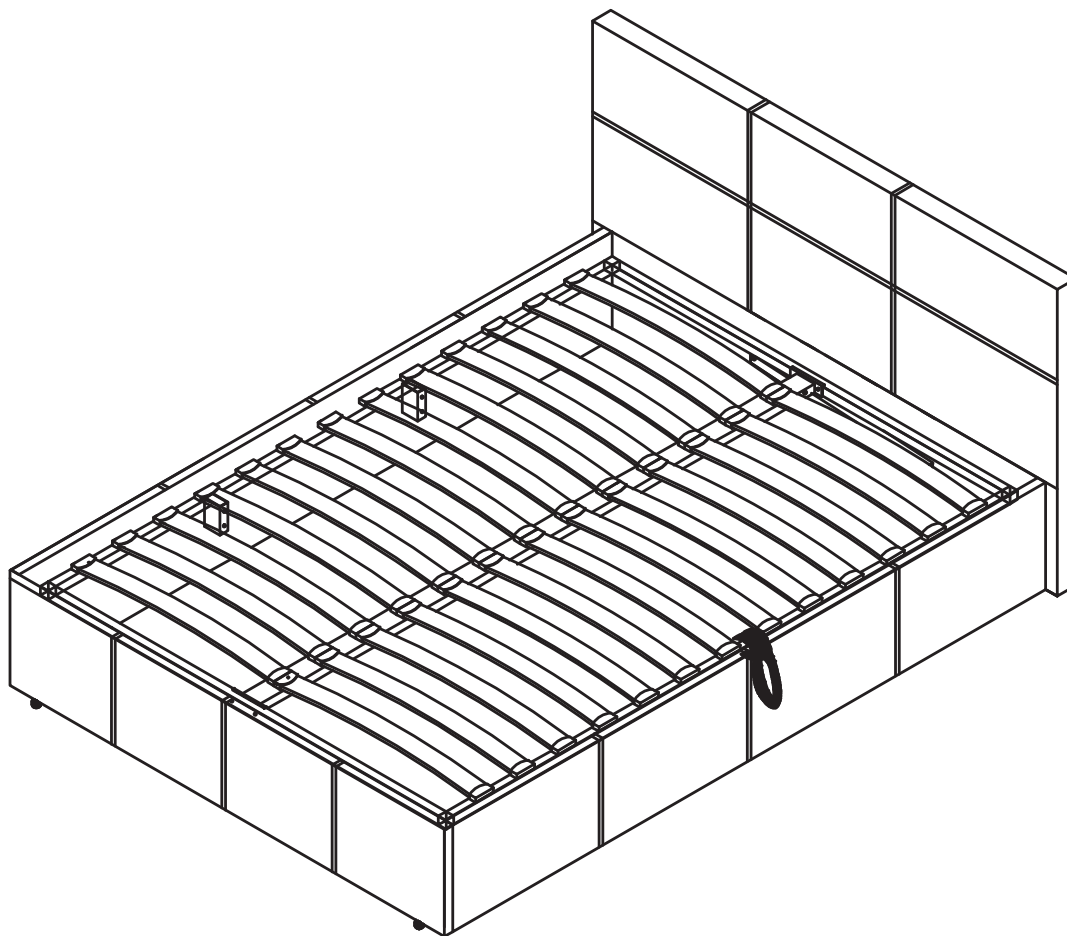
Lift with the strap (12) and close as per guidance on page 7. The strap should always be accessible. Take care not to lean over the bed when lifting, if the mattress is thin and light, the frame may rise quickly. The speed of closing will also depend on the weight of the mattress so always keep fingers well clear of the metal frame.

**PLEASE NOTE** - It takes a lot of force to make the initial movement of the ottoman - **THIS IS A DESIGN FEATURE OF THE PRODUCT SO THAT IT DOES NOT FALL SHUT** - and the nearer to being closed the ottoman is, the easier it is to move. When the ottoman is almost shut, it will close completely under its own weight.

### **Tip for difficulty with compression:**

If you are experiencing difficulty with the initial compression try fitting one piston at a time (following the Assembly Instructions) then press down on the side of the frame with the piston fitted - this acts like a big lever (The weight of the mattress can be used to supplement the load exerted). Effectively you are doubling the amount of force applied, because you have halved the resistance offered by the pistons. It can take slightly more effort than you might feel comfortable applying to the bed frame at first.

# SIDE LIFT OTTOMAN BED ASSEMBLY INSTRUCTIONS



Periodically check to ensure that the components are in their proper position, free from damage. Also, make sure the connectors are tight and secure.

**Keep instructions for future reference**

