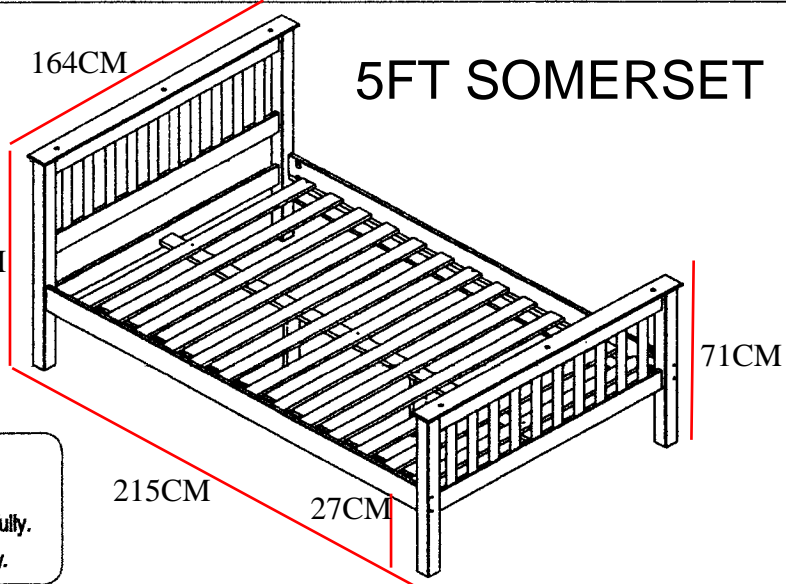
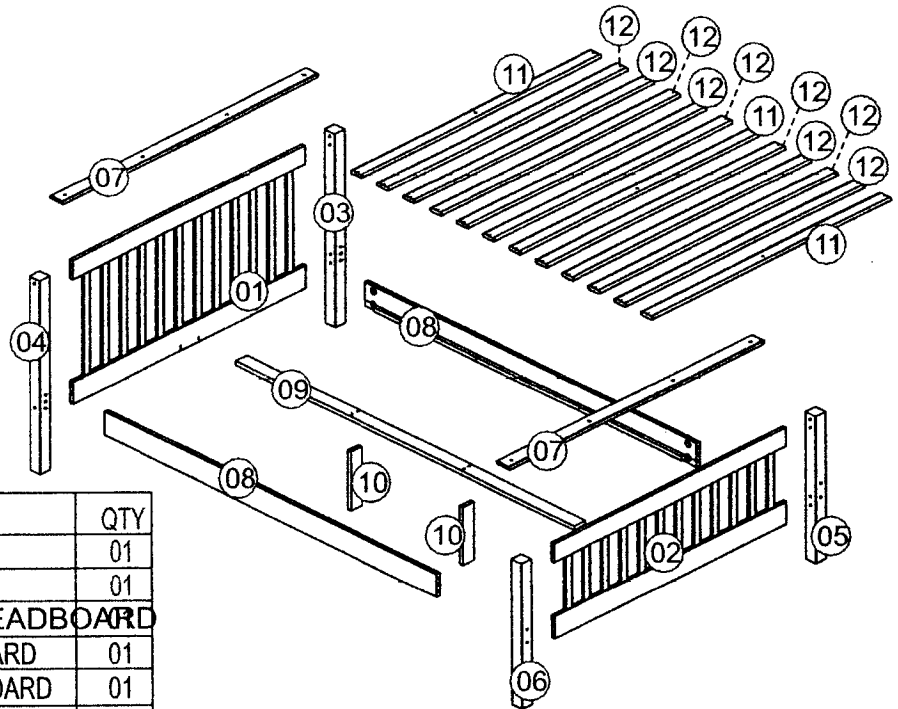
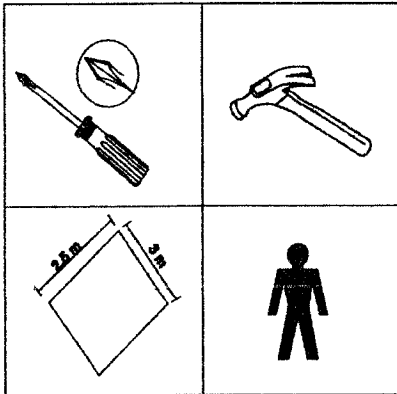




* Please assemble on a clean soft surface to avoid damage.
 * Do not use power tools to assemble this product.



* Please check contents and instructions before commencing assembly.
 * Assemble this article following the enclosed instructions carefully.
 * Please take care to avoid damaging panels during assembly.



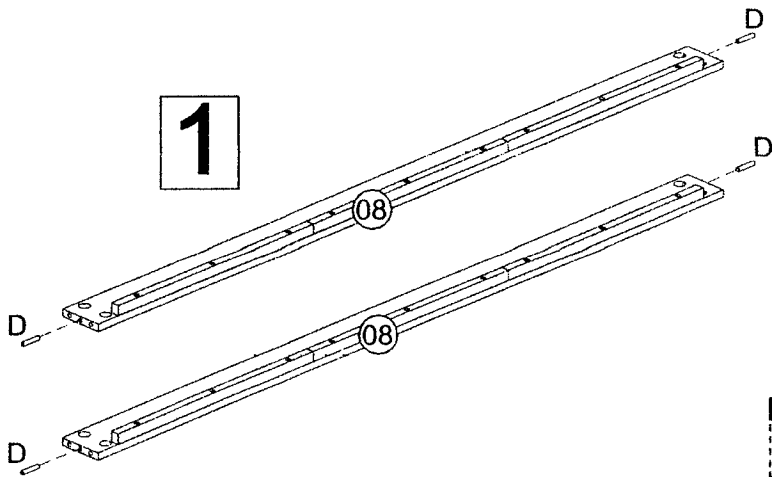
ITEM	DESCRIPTION	QTY
01	HEADBOARD	01
02	FOOTBOARD	01
03	RIGHT FOOT OF THE HEADBOARD	01
04	LEFT FOOT OF THE HEADBOARD	01
05	RIGHT FOOT OF THE FOOTBOARD	01
06	LEFT FOOT OF THE FOOTBOARD	01
07	HEAD/FOOTBOARD CAP	02
08	SIDE RAILS	02
09	CENTRAL SUPPORT	01
10	CENTRAL FOOT	02
11	SLATS	03
12	SLATS	09

A		1/4 X 110 SCREW	08
B		HALF MOON	08
C		HEX SCREWDRIVER	01
D		10X50 WOOD DOWEL	04
E		4,0X30 SCREW	35

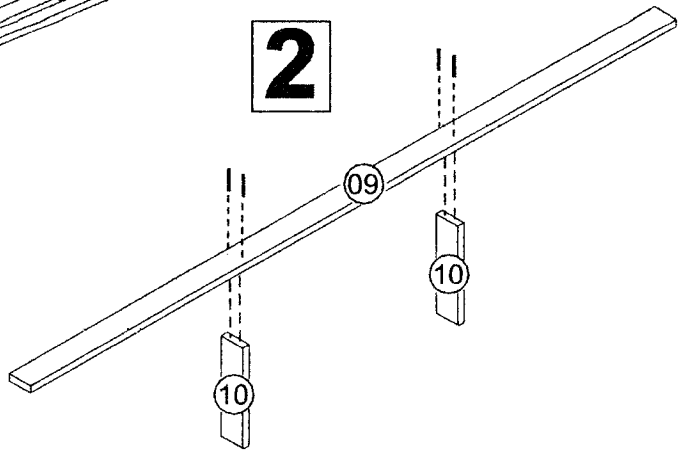
F		WOOD CAP	08
G		SPACER BLOCK	02
H		8X30 WOOD DOWEL	04
I		4,5X50 SCREW	04

J		3,5X16 SCREW	12
K		SPACER BLOCK	02
L		10X40 WOOD DOWEL	08
M		7x100 BOLT (cab17)	08

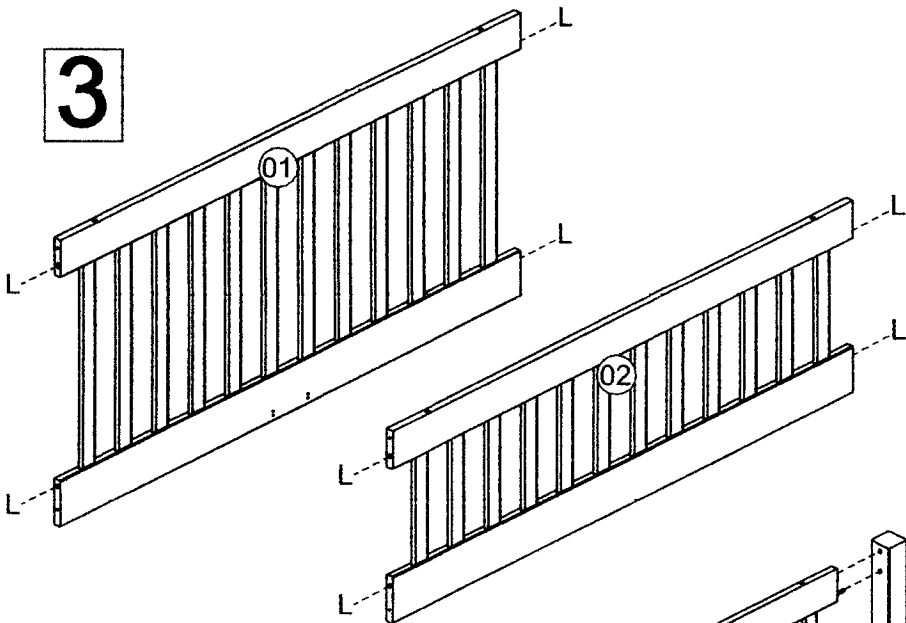
1



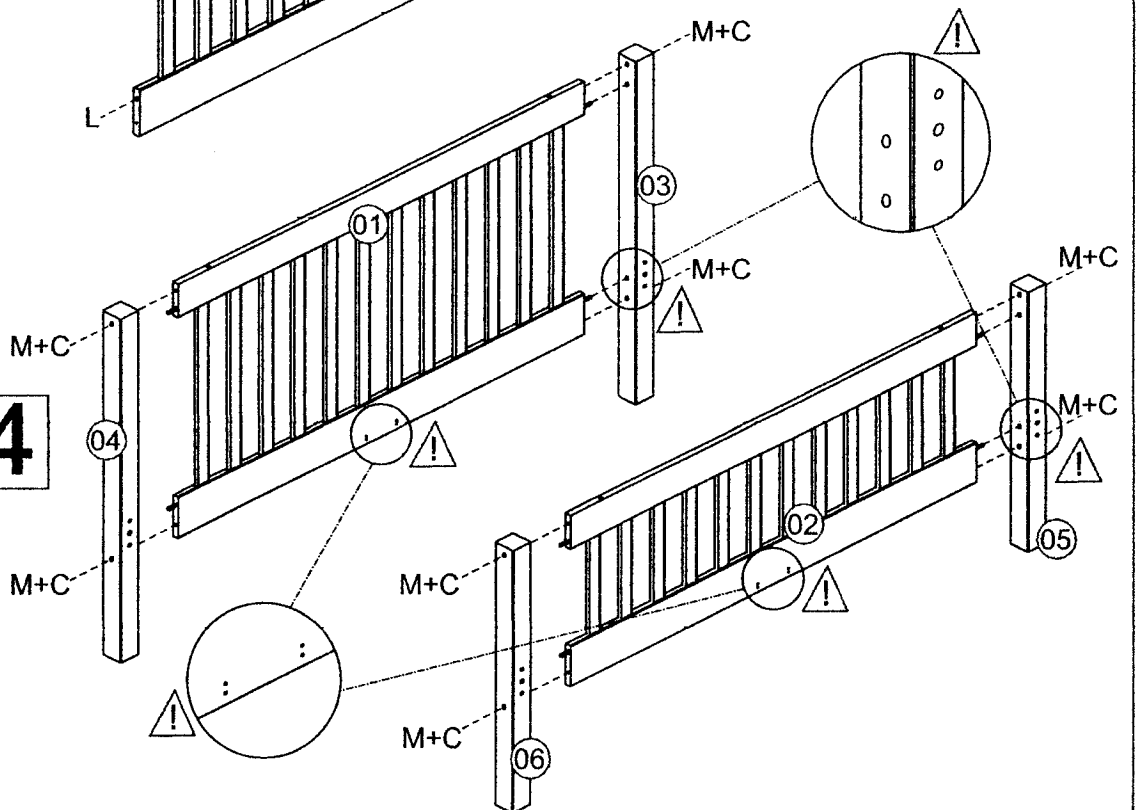
2



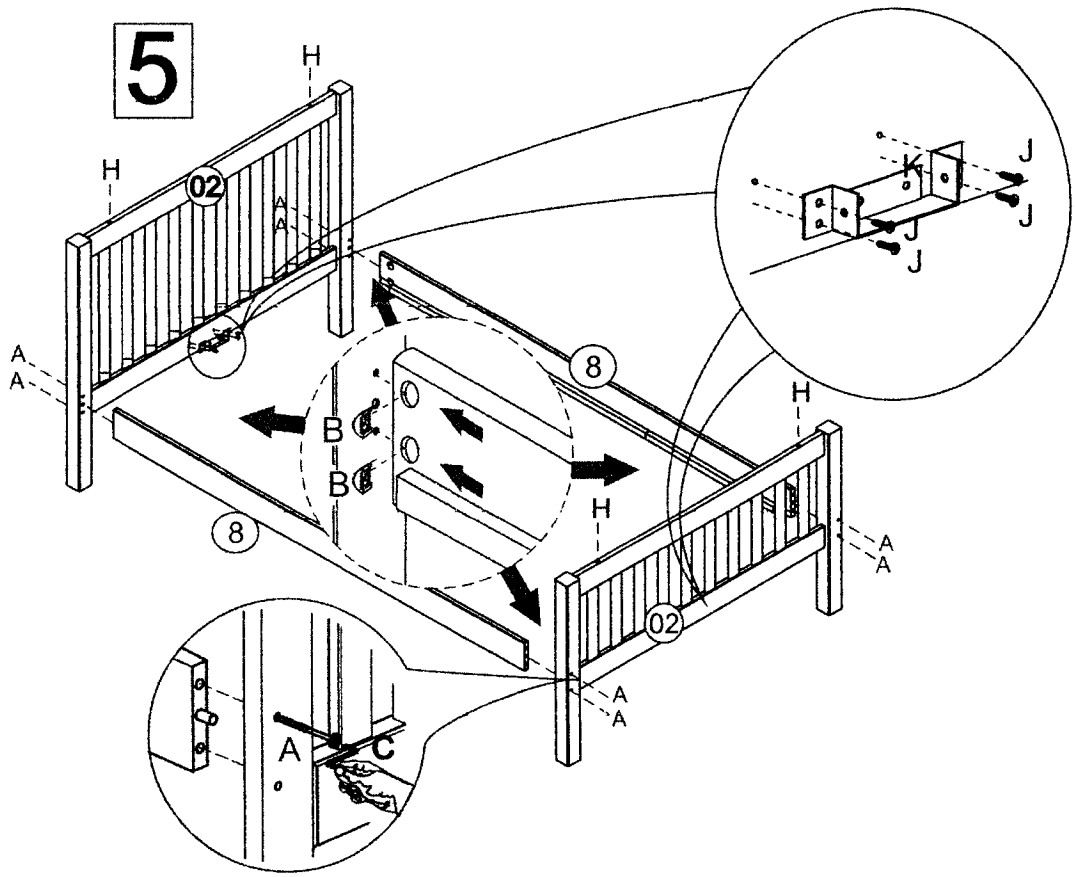
3



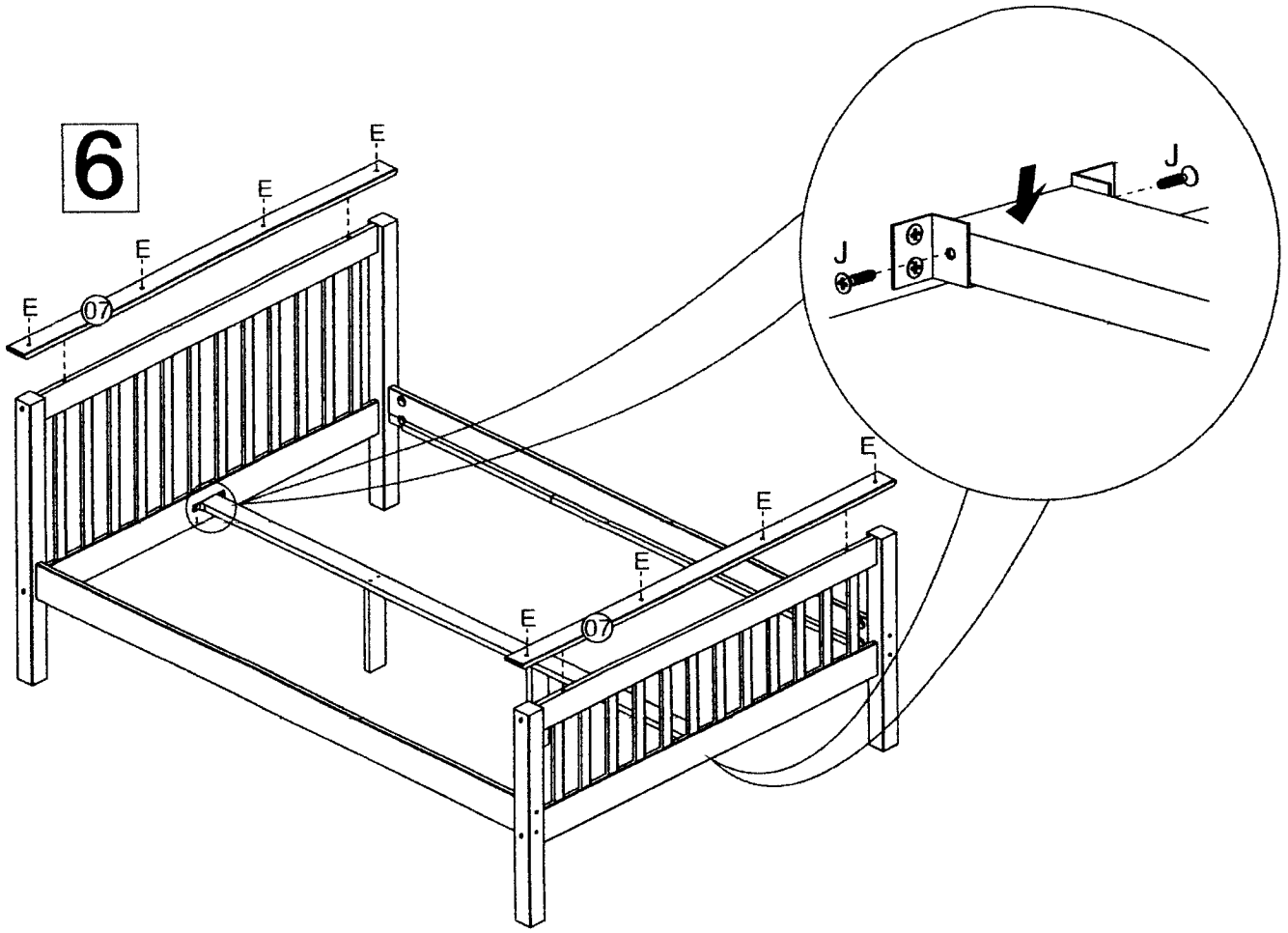
4



5



6



7

