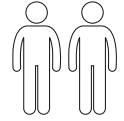


① x1  chair base (big)	② x1  Screw	③ x1  chair seat (big)
④ x1  Armrest assembly	⑤ x2  R L backrest	⑥ x1  backrest
⑦ x1  headrest	⑧ x1  ottoman base (small)	⑨ x1  Caster wheel
⑩ x1  ottoman seat (small)	A x6  M6*25mm	B x10  M6*18*1mm
C x2  M8*25mm	D x3  M8*45mm	E x3  M8*14mm
F x2  M8*22*1.5mm	G x4  M6*20mm	H x4  M6*12mm
I x1  14#	J x1  M5	

# MC605/MC605-G

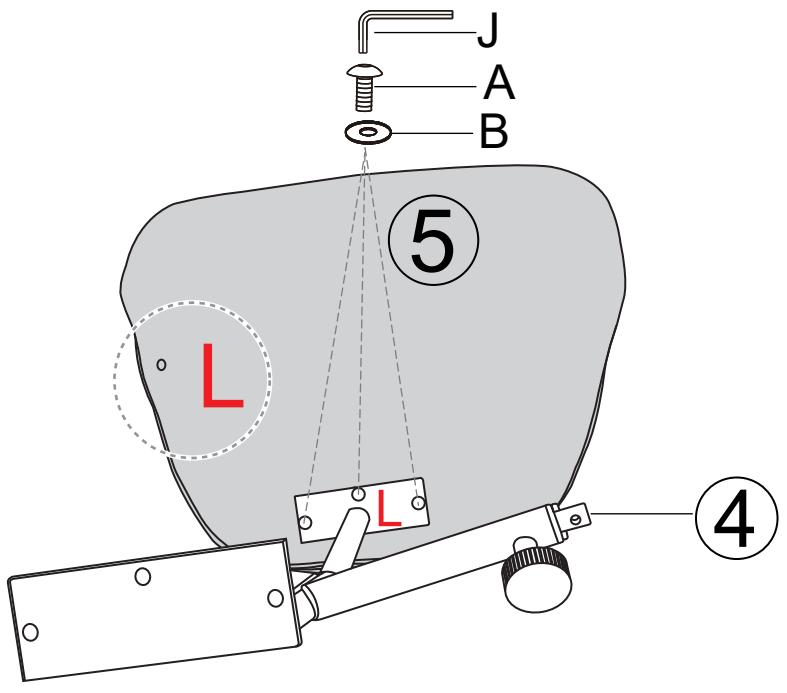


30 min

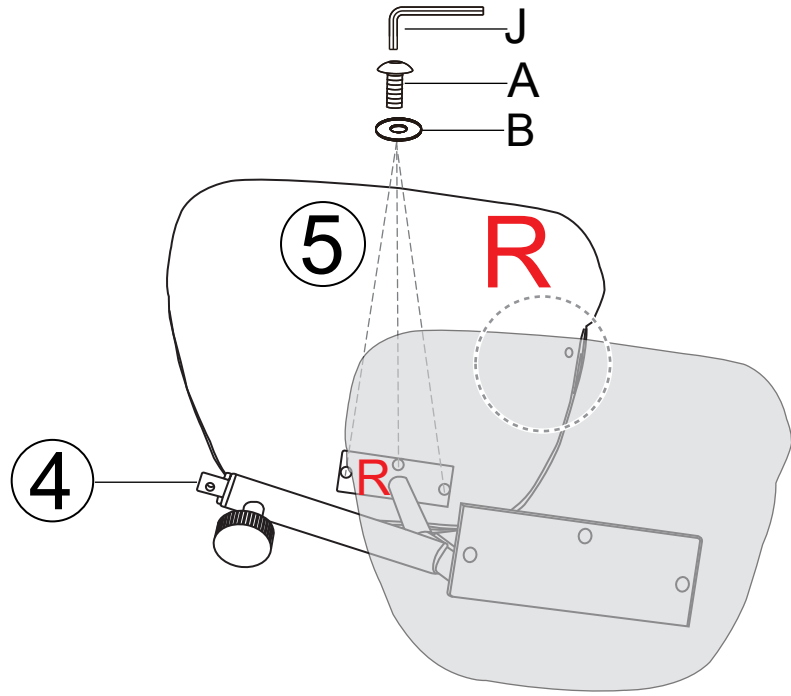


x2

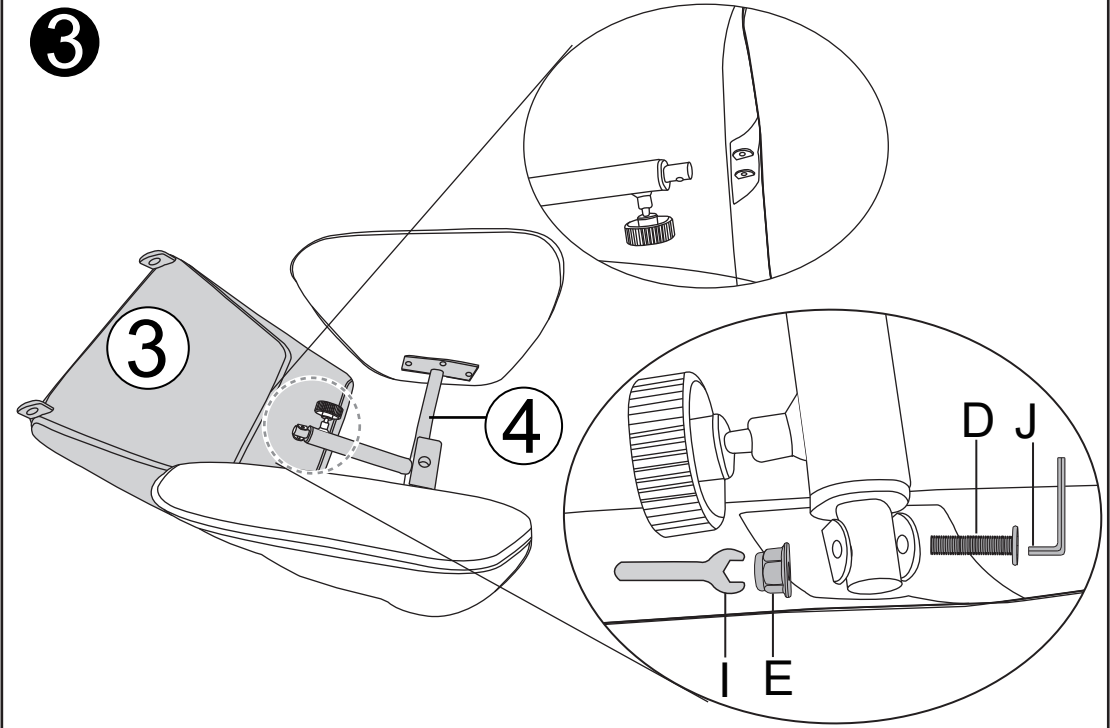
**1**



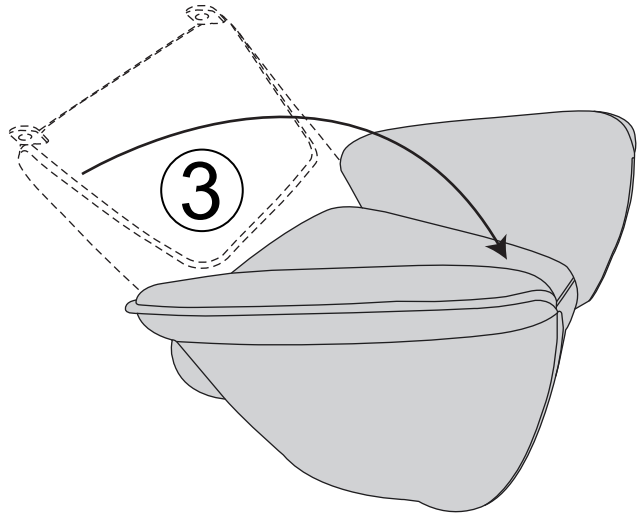
2



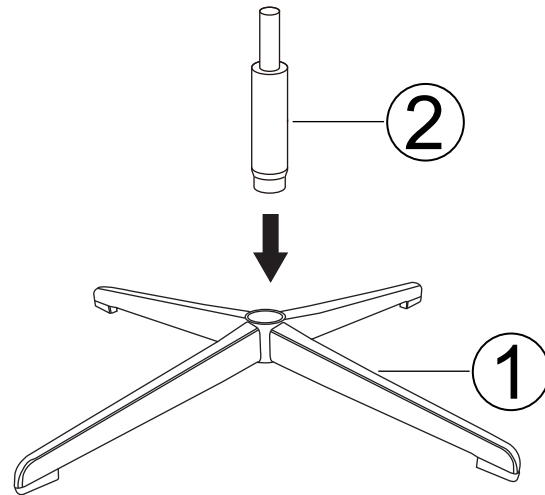
3



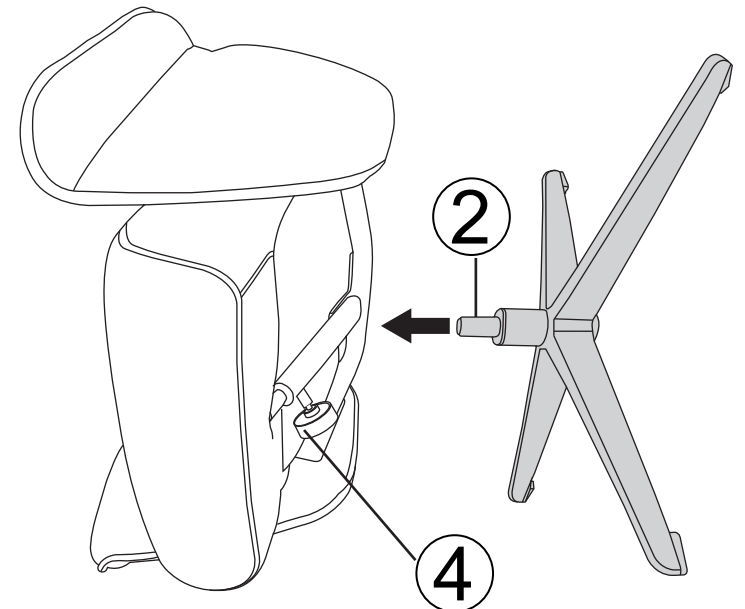
4



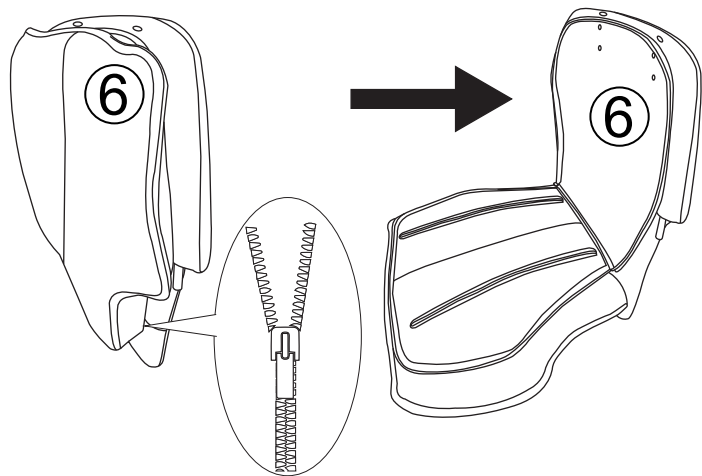
5



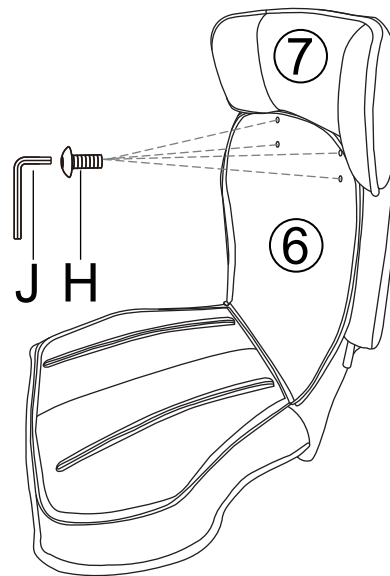
6



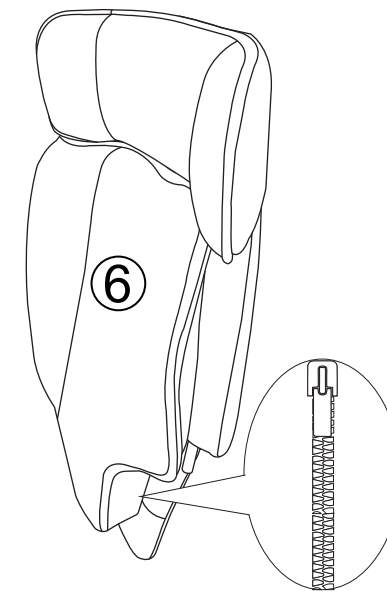
**7** open backrest zipper



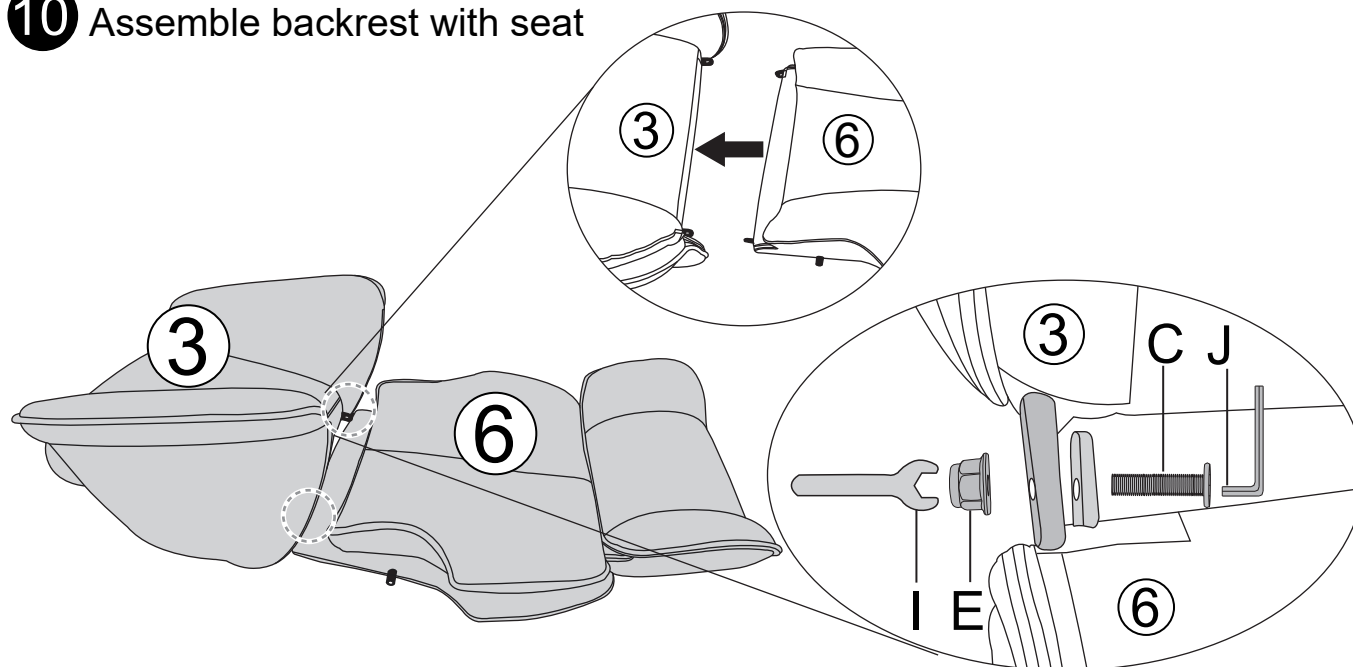
**8** insert headrest into backrest, let the screw hole link, then use screw assemble



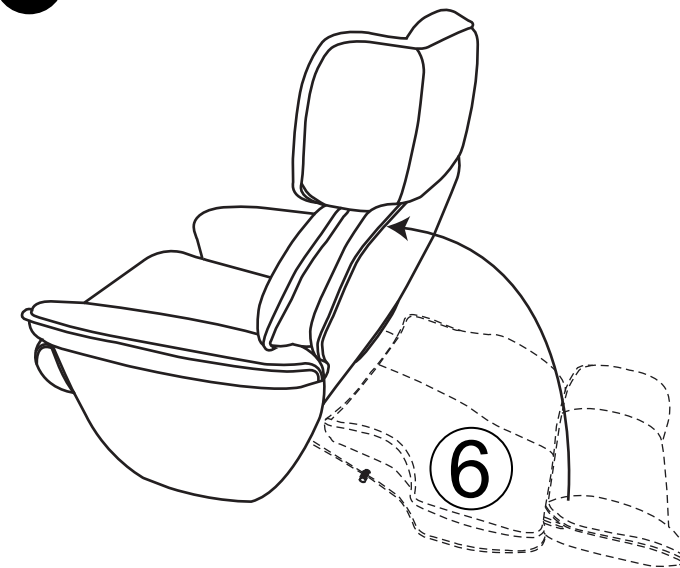
**9** close backrest zipper



**10** Assemble backrest with seat

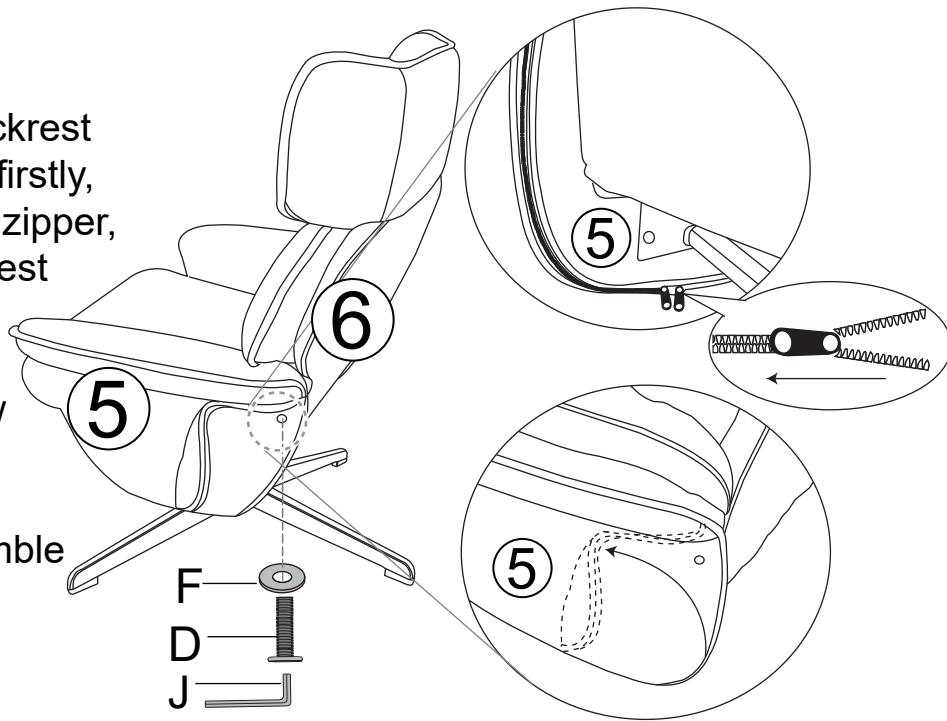


**11**



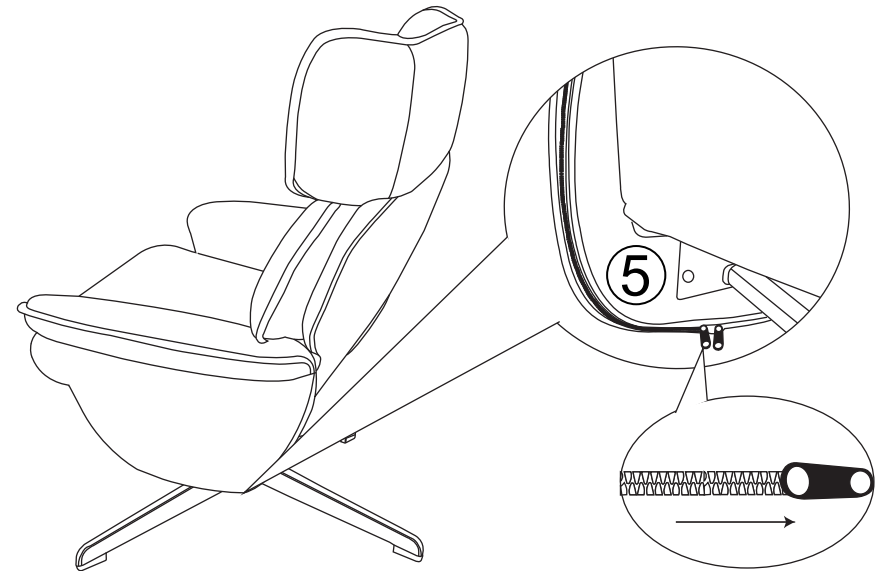
**12**

Assemble backrest with armrest, firstly, open armrest zipper, then let backrest screw hole link with armrest screw hole, then use screw and washer assemble

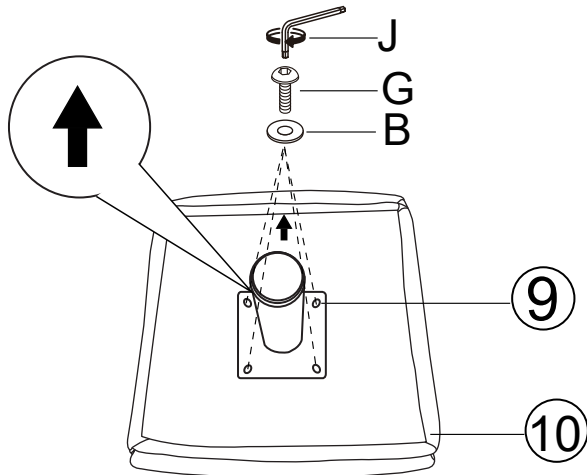


**13**

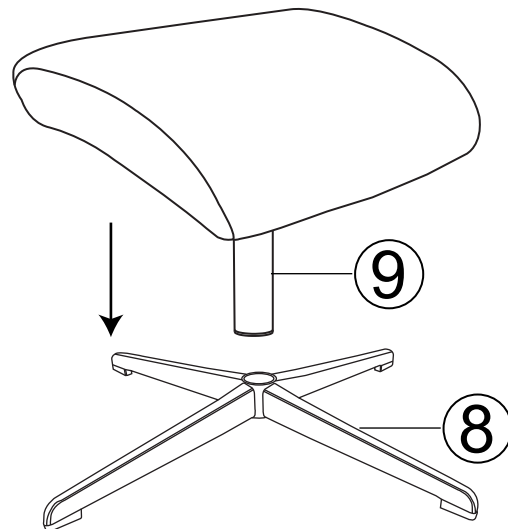
close armrest zipper



**14**



**15**



**16**

