

Alderton Office Chair

Assembly & Care Instructions










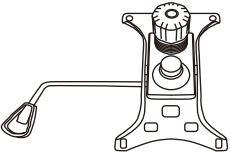
1. Check you have received all parts listed on the component and hardware pages and the correct quantity of each. Beware that sometimes parts are packaged within the product so not immediately visible after opening. Please check the assembly section for more details. If anything is missing, stop assembling the product and contact our customer service team.
2. Check all parts are intact and undamaged. Any issues, stop assembling the product and contact our customer service team.
3. Check you have the right tools for the job. Required tools which are not provided are listed below. If you are unsure of how to use these tools, please contact a professional tradesperson. We recommend Airtasker as an easy way to find trades people in your local area.


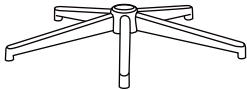

Safety advice.

Dear Customer





- IMPORTANT** - The first step you need to take is to ensure your safety! Please take the time to read and understand these instructions before assembling the product.
- Please keep these instructions for future reference.
- This item is intended for indoor use only - unless otherwise specified. Avoid exposure to humid conditions.
- Assembly to be carried out by a competent adult only.
- During assembly children should be kept away from the product due to possible risk of injury. The product may contain small parts that could also cause choking if swallowed.
- Products can be dangerous if incorrectly installed or assembled. Assembly should be carried out by a competent person and instructions followed. No liability will be accepted for damage or injury caused by incorrectly installed or assembled products.
- Never use an electric drill to assemble a product, as this can cause damage to parts.
- Regularly check all fastenings to ensure that they are properly tightened.
- Restrain children from climbing or playing on or around the product. Always consider where products are positioned to ensure children cannot get access to long cords or windows.
- Some products will be supplied with anti - tip kits which should always be used to secure the product to the wall and prevent tipping.
- Keep all plastic wrapping materials away from babies and children to avoid danger of suffocation.
- Ensure that all packaging is disposed of carefully and responsibly. Please recycle where possible.
- Once items are part or fully assembled, they are not returnable unless faulty.

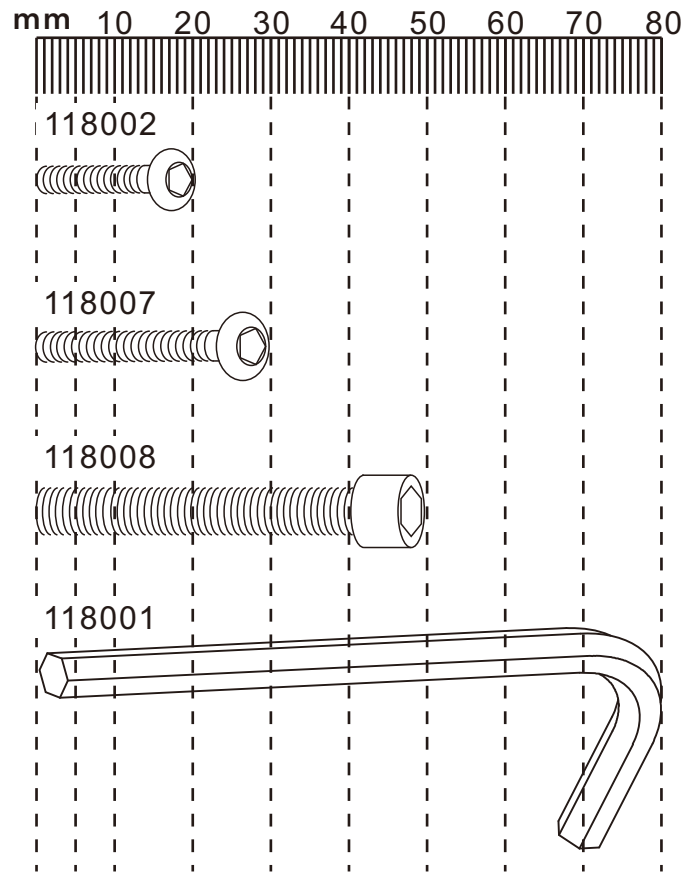
Max weight limit	No. of people to assemble	Assembly difficulty	Time to assemble
			
110 KG	1 recommended	Easy	<30 minutes

Ref	Visual	Qty
A		1
B		1
C		1
D		1

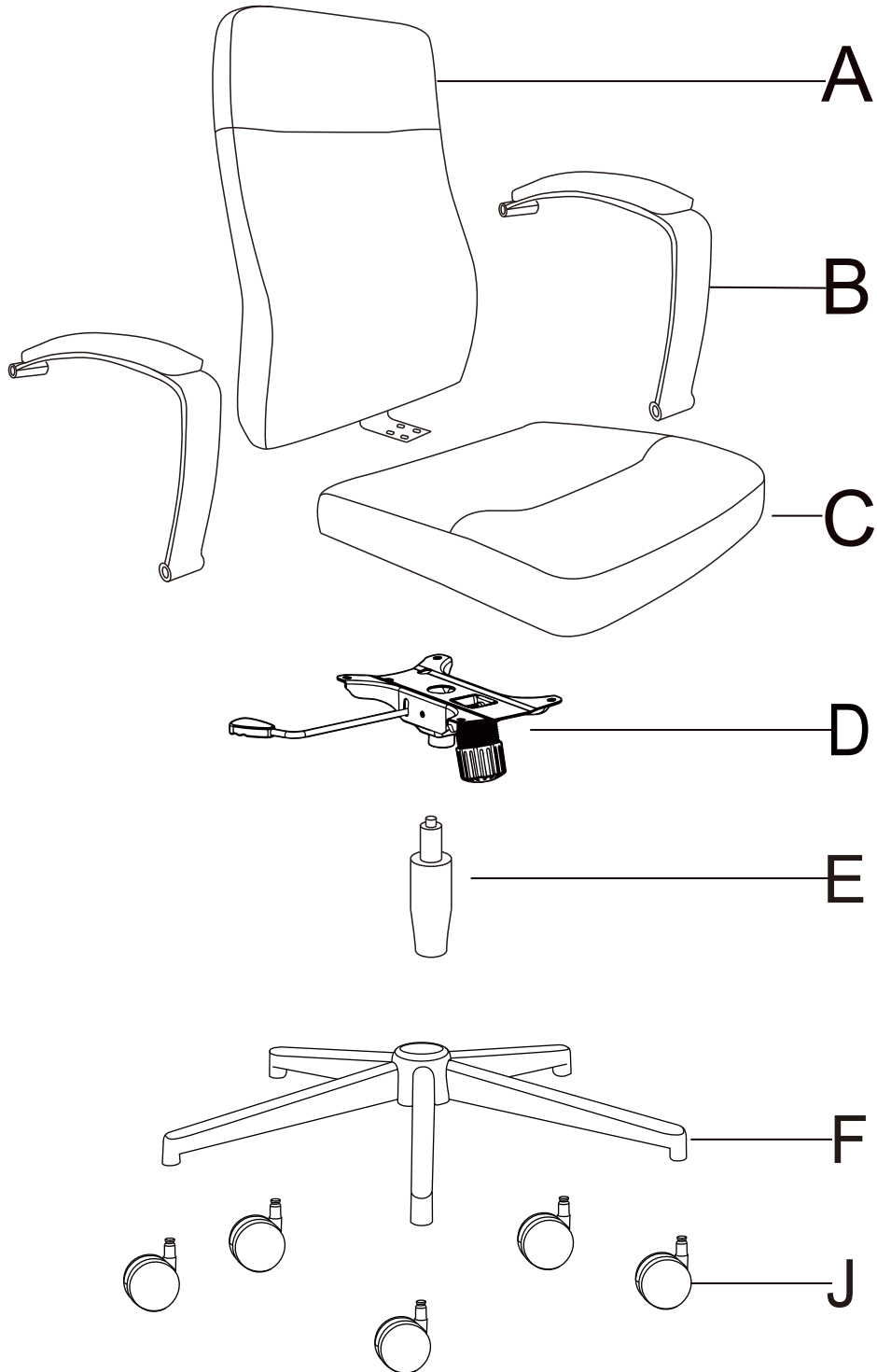
Ref	Visual	Qty
E		1
F		1
J		5

Parts supplied.

Ref	Visual	Qty
G	<p>118002</p>  <p>M6 x 20mm</p>	4
G1	<p>118007</p>  <p>M6 x 30mm</p>	4
G2	<p>118008</p>  <p>M8 x 50mm</p>	4
L	<p>118001</p>  <p>5#</p>	1



Exploded view



	<p>ALWAYS lay each panel down on a clean and level area, ideally in the room of intended use, ensuring there is enough room to maneuver around the item.</p>
	<p>NEVER pull furniture into place as this causes damage to the internal structure and feet fixings. Always lift to move.</p>
	<p>NEVER flip your upholstery allowing corners to hit the floor as structural damage can be caused. Always turn gently.</p>

1

E x 1	F x 1	J x 5

2

B x 1

D x 2

G x 4
M6x20mm

L x 1
5#

--	--	--	--

3

L x 1
5#

G1 x 4
M6x30mm

B x 1

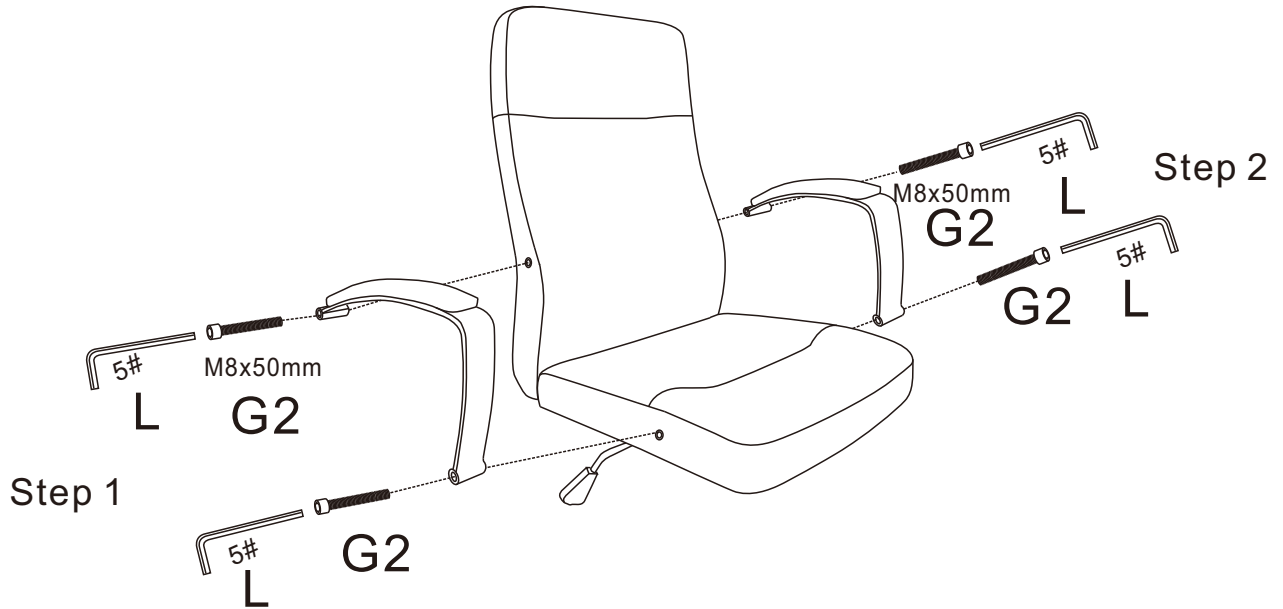
D x 1

A x 1

--	--	--	--	--

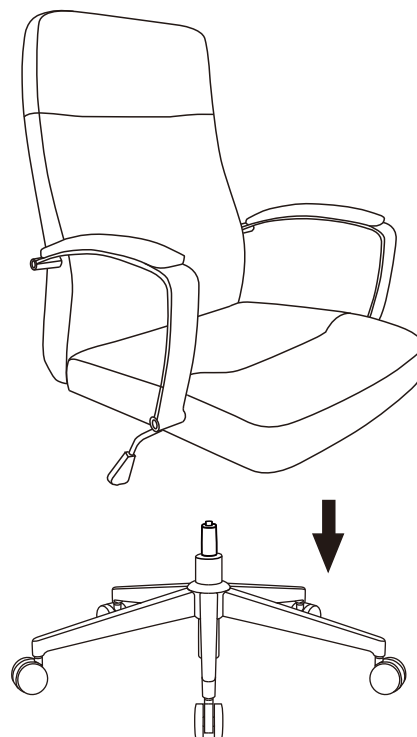
4

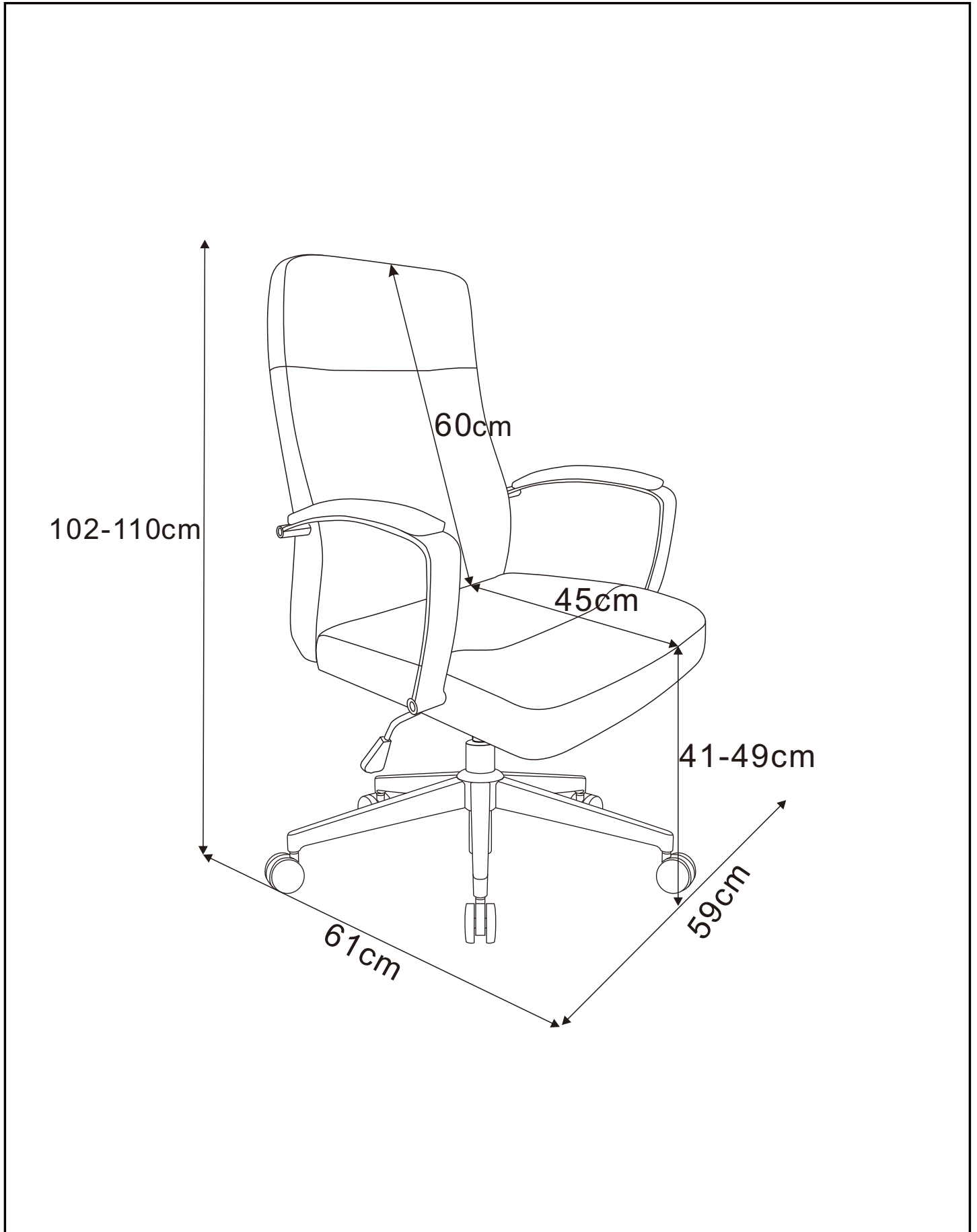
Place the screws in position and tighten them partially using a wrench. Final tightening should be done after the handle has been attached.



A x 1	B x 1	C x 1	G2 x 4 M8x50mm	H x 1 5#		x
-------	-------	-------	-------------------	-------------	--	---

4





Customer service.



If you have any issues with this product, you can call our Customer Service team on: **0345 165 6565** Monday to Friday **9am to 5:00pm**.

Alternatively, you can contact our team by Live Chat on: **Dunelm.com**
Monday to Friday 8am – 8:30pm
Saturdays 8am – 5:30pm
Sundays and bank holidays 9am – 4:30pm.

Guarantee.

1
YEAR

This product is covered by a Guarantee.

Any accidental damage caused by misuse are not covered.

The Guarantee is valid from the date of purchase. Please keep your proof of purchase as we will need to see this to validate your guarantee.

This Guarantee applies only when the product has been used for domestic use only within England, Scotland, Wales, Northern Ireland and Jersey.

For further information, please see our Guarantee T&C document on the product page on **Dunelm.com** or contact our customer service team.



Dunelm (Soft Furnishings) Ltd. LE7 1AD
& Dunelm (Soft Furnishings) Holdings
Ltd. Dublin D12 WR25.

Manufactured in China