



For your new world
Shentonfield Road
Manchester M22 4RW
0161 491 9800

INSTRUCTIONS

SPACE SAVER COT

EC140(5-7)

IMPORTANT: READ CAREFULLY AND RETAIN FOR FUTURE REFERENCE

Thank you for choosing the East Coast Space Saver Cot

This cot conforms to EN 716-1:2017. To ensure it is used safely and correctly, please read these instructions fully before use. Your child's safety may be affected if you do not follow these instructions.



WARNING: A child's safety is your responsibility.

WARNING: Assembly should be carried out by a competent adult only. During assembly, children should be kept away from the product due to the risk of injury.

WARNING: Do not use more than one mattress in the cot.

WARNING: Do not leave anything in the cot or place the cot close to another product which could provide a foothold or present a danger of suffocation or strangulation (e.g. strings, blind or curtain cords).

WARNING: Do not use this cot if any part is broken, torn or missing. Use only spare parts approved by the manufacturer.

WARNING: Be aware of the risk of open fire and other sources of strong heat, such as electric bar fires, gas fires, etc., in the near vicinity of the cot.

Mattress & Base Position

The lowest mattress base position is the safest and should always be used as soon as the baby is old enough to sit unaided.

When choosing a mattress, ensure that the internal height (from the surface of the mattress to the upper edge of the cot side) is:

- At least 500mm (50cm) when the base is in the lowest position
- At least 200mm (20cm) when the base is in the highest position

The recommended mattress size is 90 × 52cm (900 × 520mm), with a maximum depth of 70mm. The mattress should be no more than 30mm shorter or narrower than the internal length or width of the cot, ensuring there is no gap greater than 30mm between the mattress and the cot sides or ends in any position.

Use & Ongoing Safety

To prevent injury from falls, the cot must no longer be used once the child is able to climb out. Please ensure all assembly fittings are tightened properly before use.

Fittings should be checked regularly and tightened as necessary.

Loose fittings can trap parts of the body or clothing (e.g. ribbons, drawstrings, necklaces), increasing the risk of strangulation.

Regularly inspect the cot for signs of damage, including loose fittings or splinters, which could compromise safety.

Suitable from birth up to around 18 months (or 15kg)



For your new world
Shentonfield Road
Manchester M22 4RW
0161 491 9800

INSTRUCTIONS

SPACE SAVER COT

EC140(5-7)

Placement in the Room

Children are likely to play, bounce, jump, and climb on beds.
The cot should not be placed too close to other furniture or windows.
It should be positioned either tight against a wall or with a gap of 300mm between the wall and the side of the bed.

Materials Cleaning & Care

Wood is a natural material, and the colour may darken with age.
Clean using a damp cloth or mild detergent and warm water.
Do not use bleach.
Do not use abrasive substances

Do's	Don'ts
Ensure you read all warnings and instructions before assembling or attempting to use this product.	Do not stand or jump on your furniture.
Unwrap all packaging materials and place the components on a clean surface to protect it from damage. (We recommend that the packaging is used to protect the surfaces during assembly)	Do not leave any packaging or components within the reach of children.
Occasional overall cleaning should be carried out approximately once a month by using a slightly dampened soft cloth then buff with a dry clean soft cloth. Never allow any kind of liquid to remain on your furniture. Absorption can cause finishes to de-laminate.	Do not use silicone based furniture polish. Silicone in furniture polishes can break down a lacquer finish.
When moving your assembled bed it is best to lift the bed, and never to drag it.	Do not drag or pull your furniture.



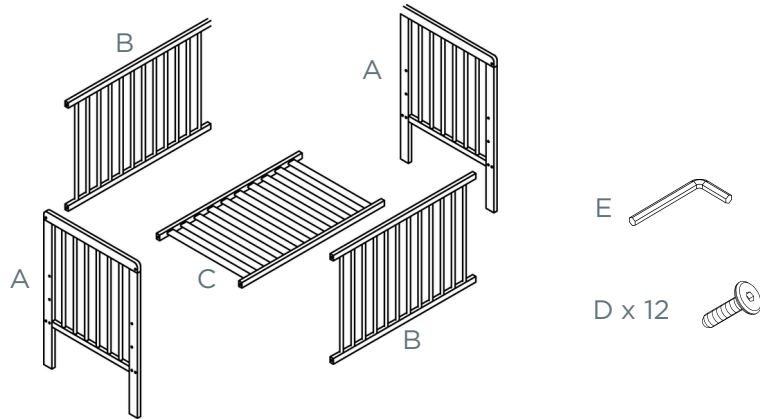
For your new world
Shentonfield Road
Manchester M22 4RW
0161 491 9800

INSTRUCTIONS

SPACE SAVER COT

EC140(5-7)

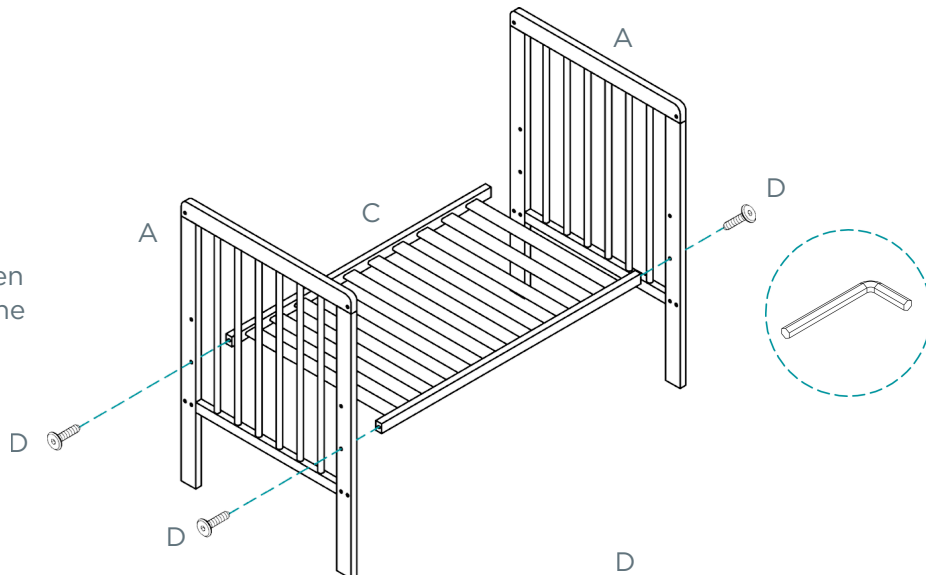
PARTS LIST:



STEP 1:

D x 4

Do not fully tighten
the screws until the
product is fully
assembled



STEP 2:

D x 8

