

# ASSEMBLY INSTRUCTIONS

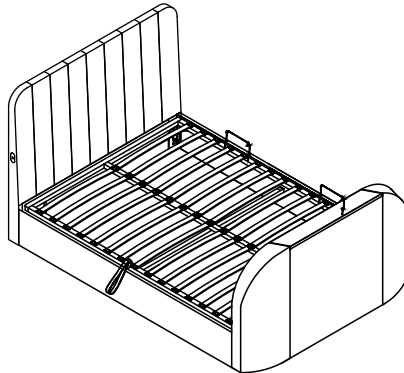
YRK-OTT-TVB-46-LT YRK-OTT-TVB-50-LT


## **IMPORTANT**

Please inspect all items carefully before assembling. If for any reason you need to return this item, you must return it in its original packaging. Assembled items cannot be returned.

Please open the zip on the back of the headboard.

You may find the footboard and some of the components inside



Minimum No.of people recommended to assemble this product: Two (2)   
Approx. Assembly time: 90 mins

## **HELPFUL ADVICE PRIOR TO ASSEMBLING THE BED**

- 1) Owing to the size and weight of the bed, we recommend that it is assembled by two adults, on a flat surface in a room that it is intended for.
- 2) Please Do Not use any tools other than those provided or recommended in these instructions.
- 3) Please Do Not discard any packaging until you have checked that you have all the parts and fittings. Keep all fittings out of reach of children.
- 4) Assemble all parts loosely until advised to tighten. Depending on use, it maybe necessary to tighten the fittings from time to time, So please save your Allen key and Spanner that has been provided.

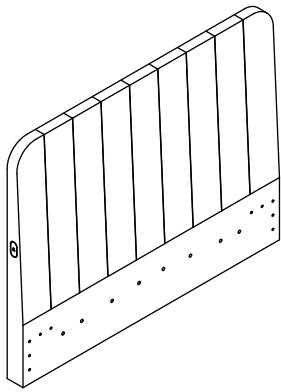
## **WARNINGS**

- 1) Please ensure children Do Not play in the storage area or try to lift up the metal frame.
- 2) Once assembled, put mattress on frame before pushing it down and only lift up or push down the metal frame with mattress on top.
- 3) Please Do Not stand on the storage base at any time.
- 4) Do Not throw away any of the packaging or the instructions booklet until you have checked all the components and fittings and the furniture is fully assembled.

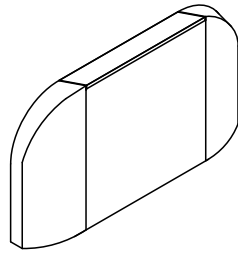
## **HOW TO USE BED**

When the bed is fully assembled, Lift the frame up using strap on the footboard. To close the frame you will need to place both hands on the horizontal metal bar at the footboard end that is in the air ( one hand in the centre of each of the two rows of slats). The bed will only work if this done centrally. Apply pressure to close the bed. Do Not try to close from the side or any other way. Please also note the gaslift lift arms do not move up and down on their own and only work if the bed is fully assembled and is assembled correctly and will only work normally with mattress on the frame.

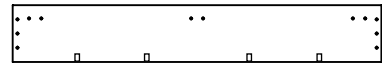
**PLEASE LOCATE FOOTBOARD AND FITTINGS INSIDE THE ZIPPED COMPARTMENT BEHIND THE HEADBOARD**



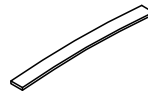
① Headboard



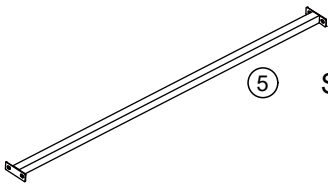
② Footboard



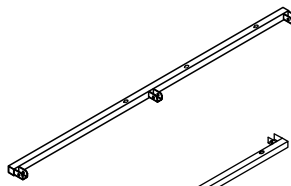
③ Side Rail X2



④ Bentwood Slat  
Duble 30Pcs  
King 32Pcs



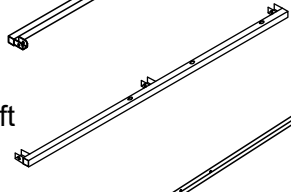
⑤ Side Rail Cross Bar



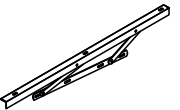
⑭ Slat Frame End Tube-Left



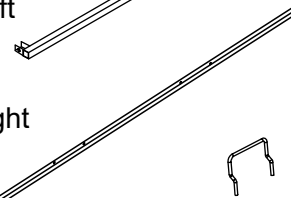
⑥ Gas-lift Mechanism x1 -Left



⑮ Slat Frame End Tube-Right



⑦ Gas-lift Mechanism x1 -Right



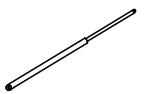
⑯ Side rail of Metal Frame X3



⑧ Connection bar X2



⑰ Mattress Stopper X2



⑨ Gas-lift Piston X2



⑱ Mains Power Lead



⑩ Angled Corner Bracket X2



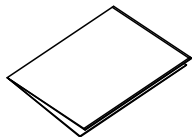
⑲ Remote Control



⑪ 'L' Shape Bracket X2



⑳ Cable Clips X3



⑫ Fabric Base Cover



㉑ Cable Ties X3


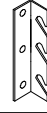
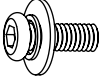
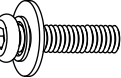
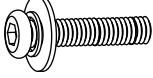
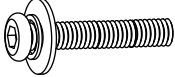







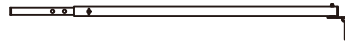


⑬ Fabric Handle

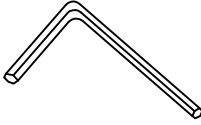
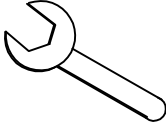


㉒ Long Connection Cable  
Between Headboard &  
Footboard

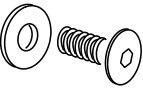
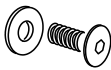
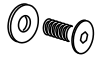


# Hardware

<b>A</b>		Connection Plate Left x 2
<b>B</b>		Connection Plate Right x 2
<b>C</b>		M8*25mm Bolt x 43
<b>D</b>		M8*35mm Bolt x 4
<b>E</b>		M8*50mm Bolt x 16
<b>F</b>		M8*60mm Bolt x 2
<b>G</b>		Spring Washer x12
<b>H</b>		Flat Washer x12

<b>K</b>		Flanged Lock-Nut M8 x16
<b>L</b>		Fixed bracket x 1
<b>M</b>		Hook x 1
<b>N</b>		Support rod x 1
<b>P</b>		Duble King 15Pcs King 16Pcs
<b>Q</b>		Duble King 30Pcs King 32Pcs


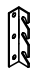

	Allen key M5
	Spanner

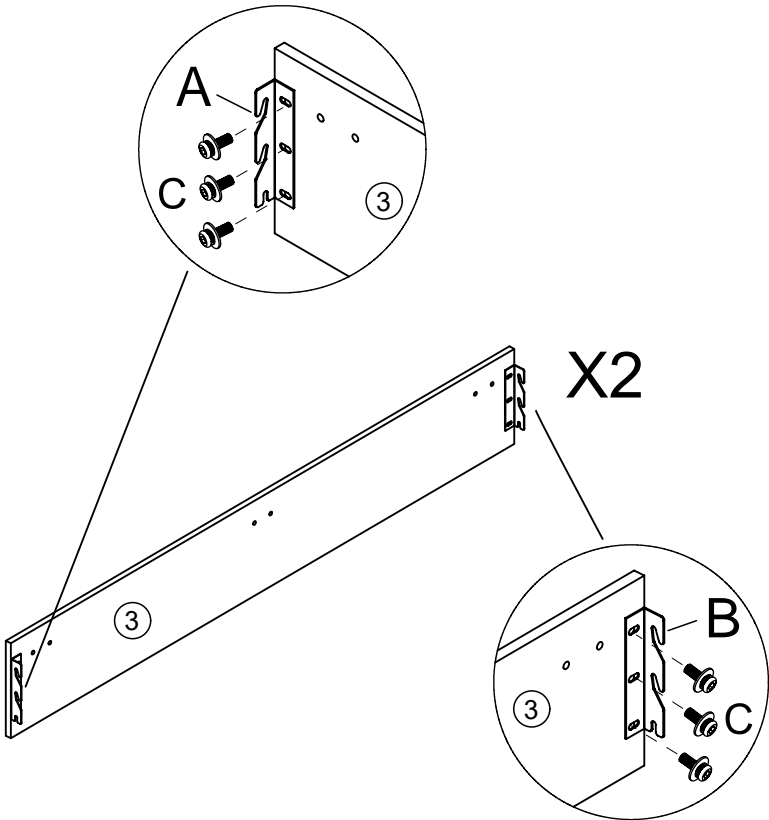
## TV INSTALLATION KIT

<b>a</b>				<b>b</b>		
	M8x25mm x2	M6x12mm x2	M4x12mm x2		Allen Key (4mm)	Allen Key (2.5mm)


**Warning :** Should one of the side of the gaslift struts failed / lost of pressure or suspected to be failed or lost of pressure please stop using the ottoman storage function and contact retailer you bought your bed from.

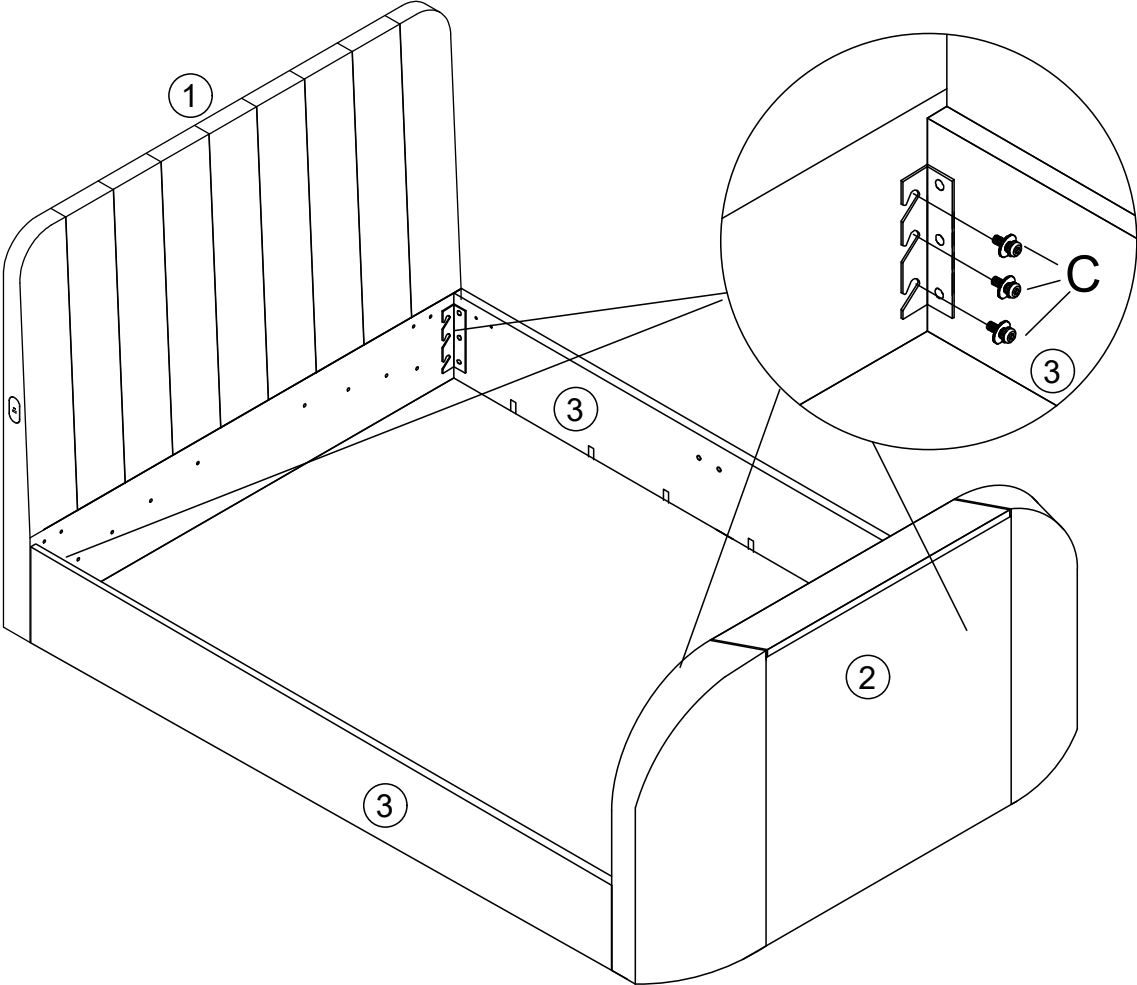
# Step 1

A  2pcs Connection Plate Left	B  2pcs Connection Plate Right
C  12pcs Bolt M8x25mm	



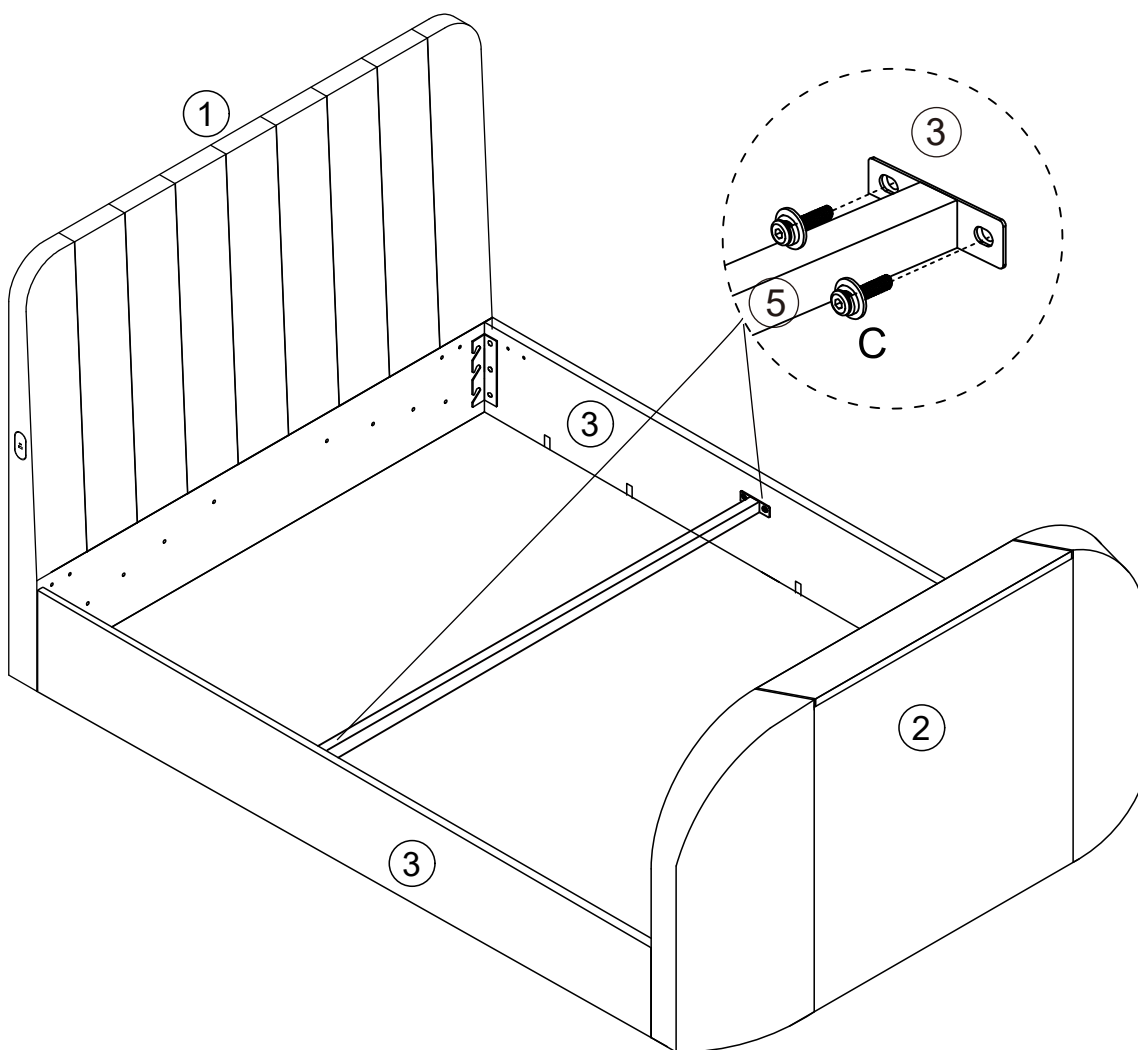
# Step 2

C  12pcs  
Bolt M8x25mm



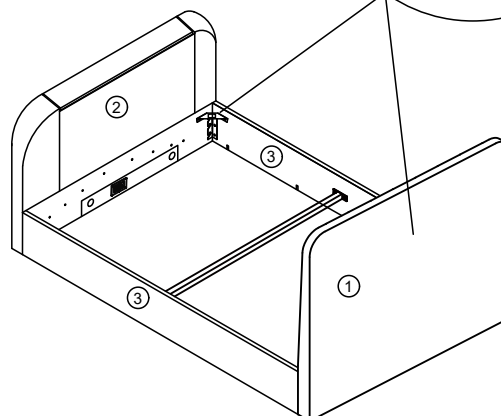
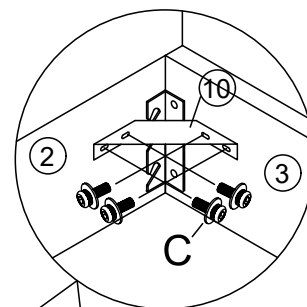
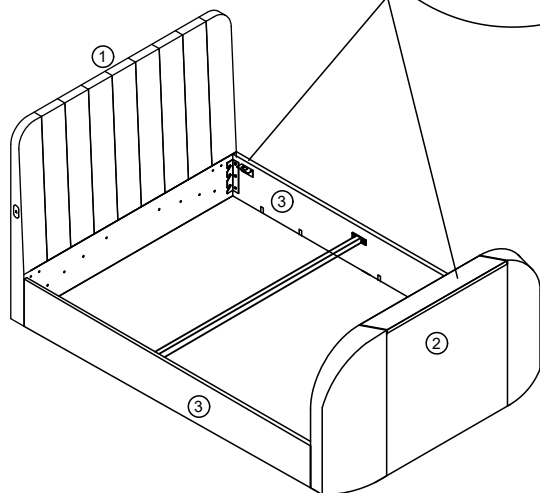
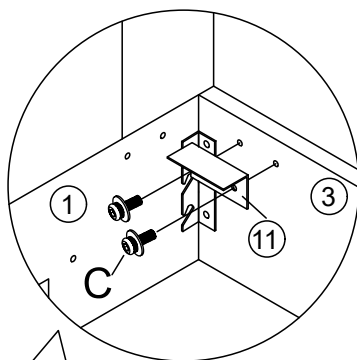
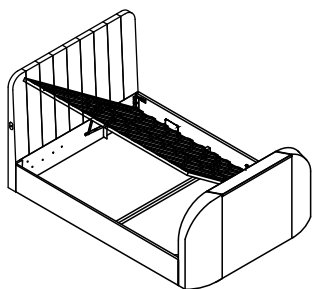
# Step 3

C  4pcs  
Bolt M8x25mm



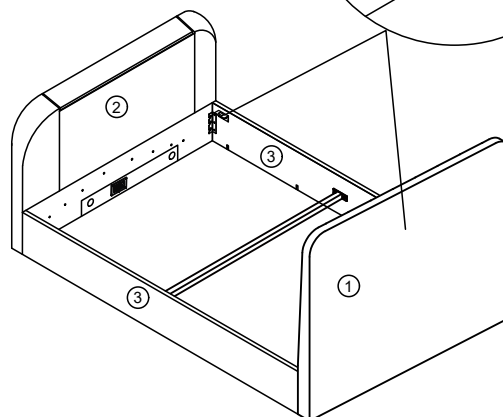
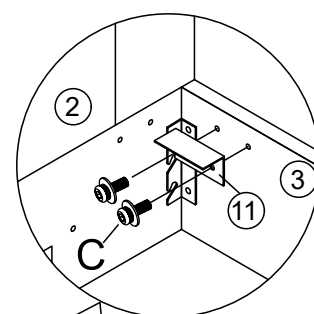
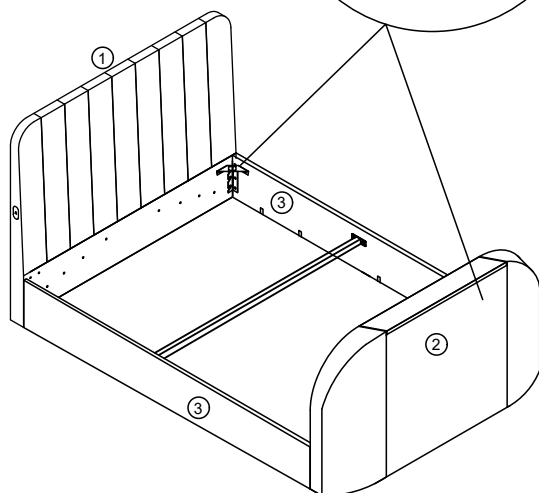
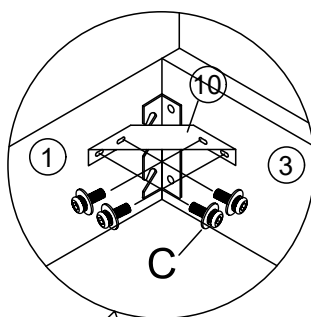
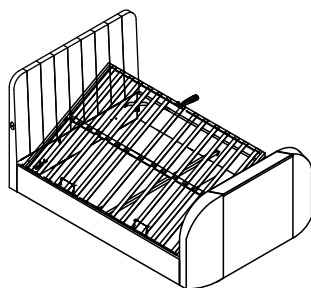
## Step 4a

C  12pcs  
Bolt M8x25mm





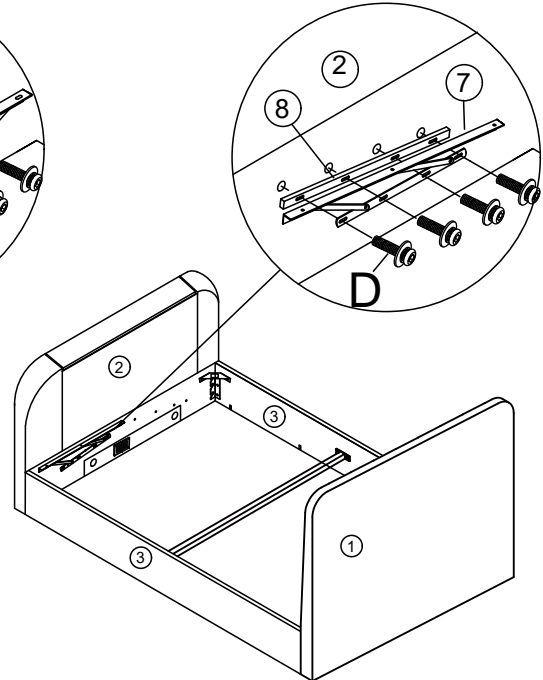
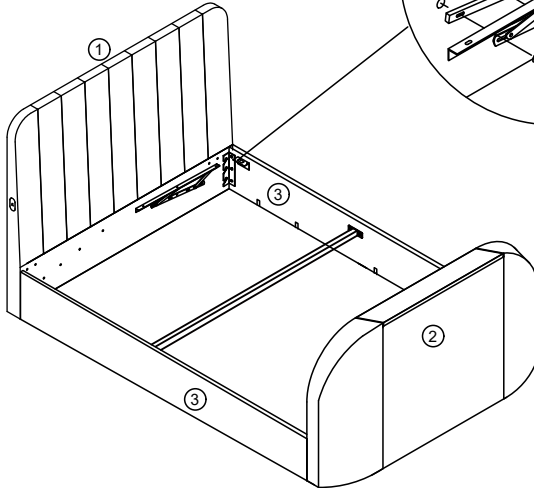
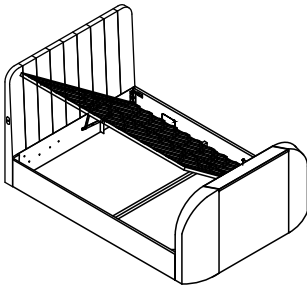
## Step 4b

C  12pcs  
Bolt M8x25mm





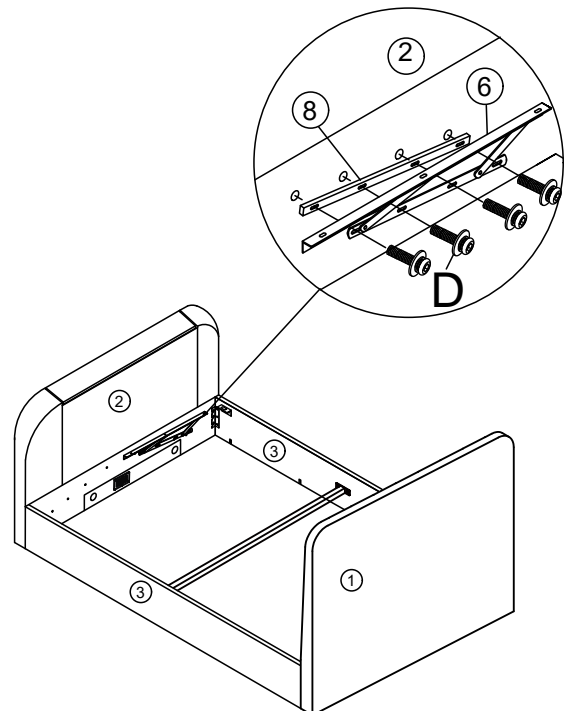
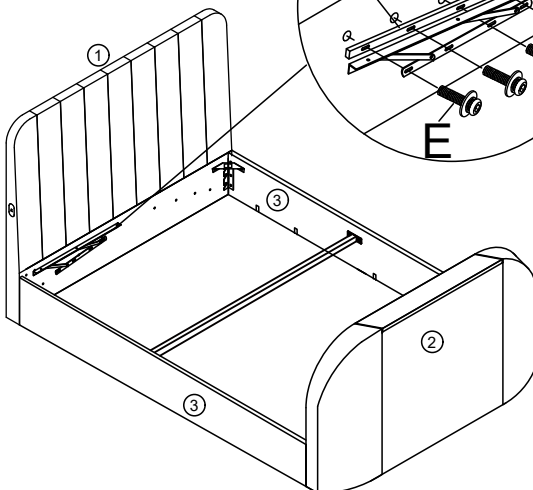
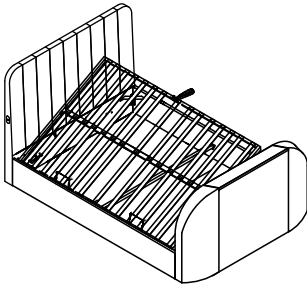
## Step 5a

D	 4pcs	E	 4pcs
Bolt M8x35mm		Bolt M8x50mm	

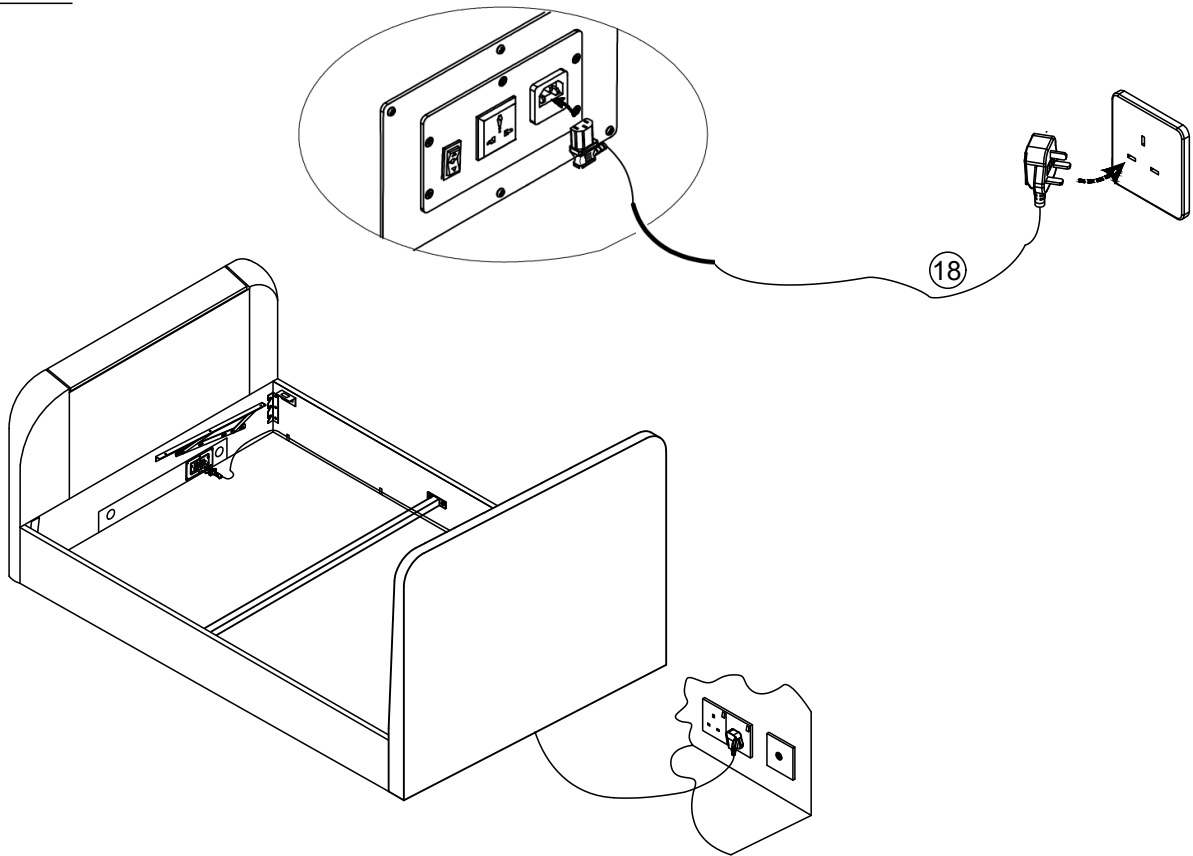


## Step 5b

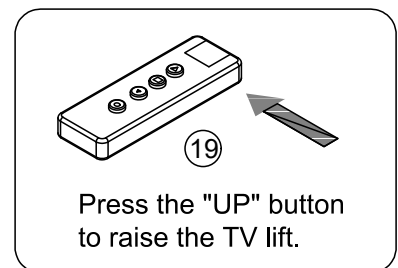
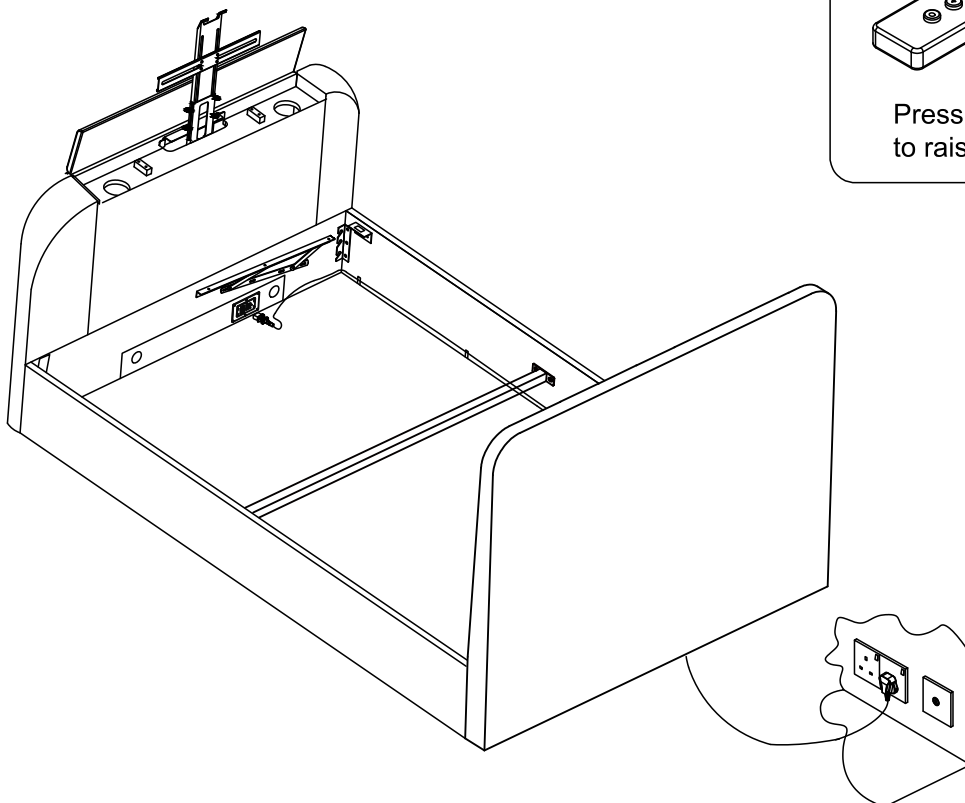
D	 4pcs	E	 4pcs
Bolt M8x35mm		Bolt M8x50mm	



## Step 6



## Step 7



# Step 8

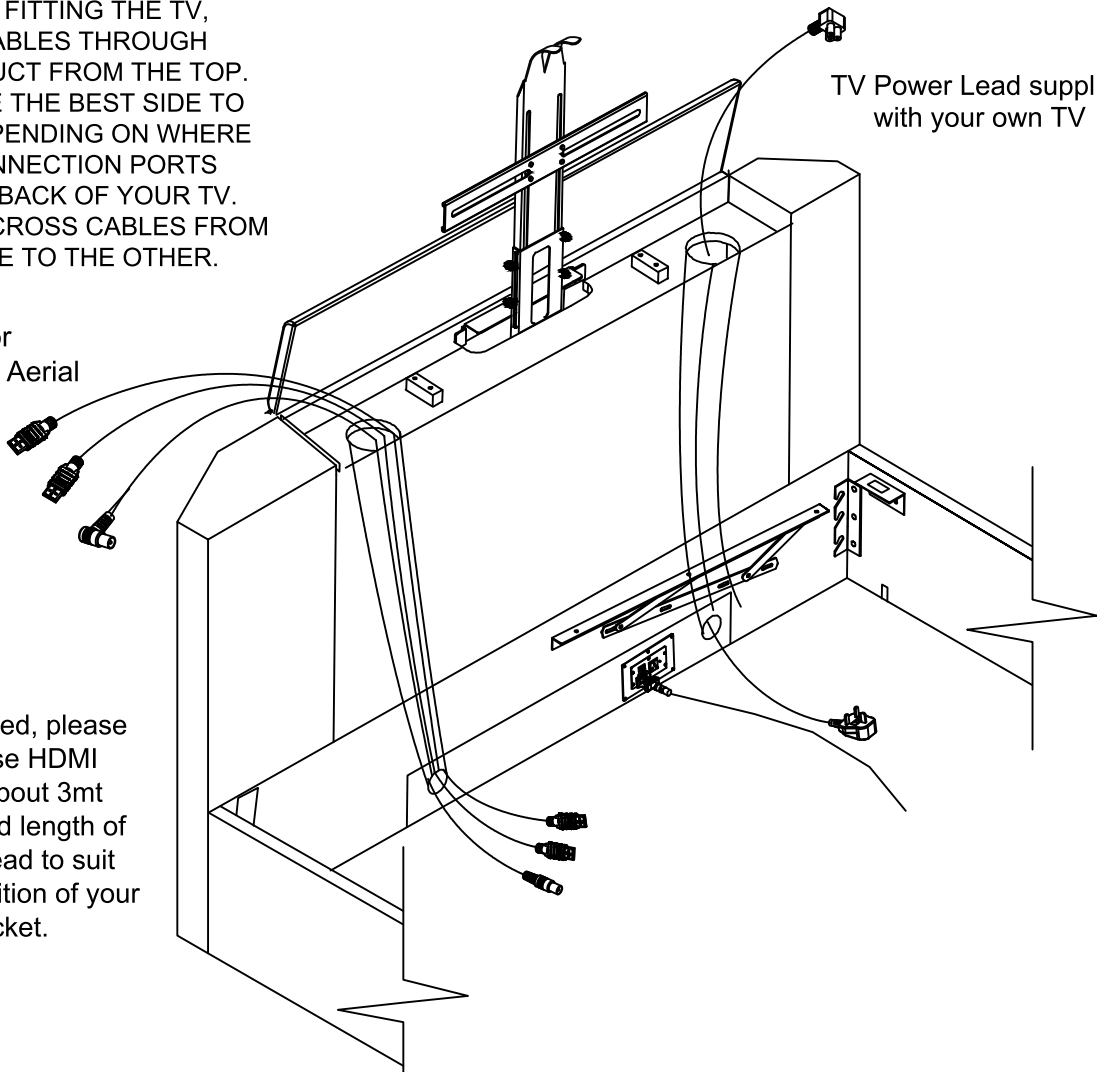
Note: For illustration purposes only, TV connections may vary.

TIP:  
BEFORE FITTING THE TV,  
PUSH CABLES THROUGH  
EACH DUCT FROM THE TOP.  
CHOOSE THE BEST SIDE TO  
USE DEPENDING ON WHERE  
THE CONNECTION PORTS  
ARE ON BACK OF YOUR TV.  
NEVER CROSS CABLES FROM  
ONE SIDE TO THE OTHER.

Leads for  
HDMI or Aerial

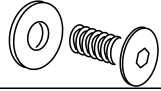
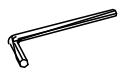
TV Power Lead supplied  
with your own TV

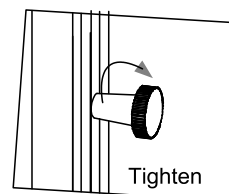
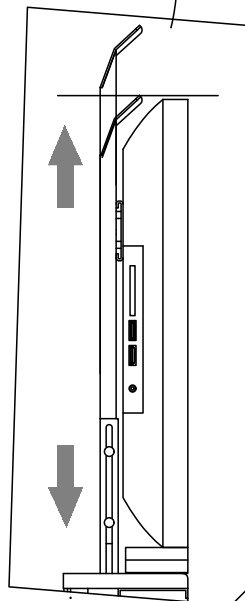
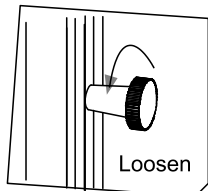
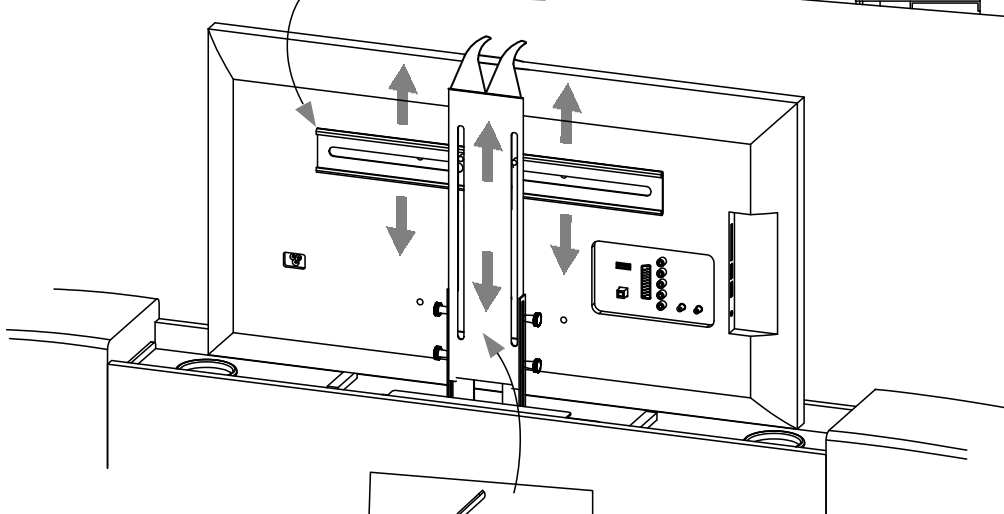
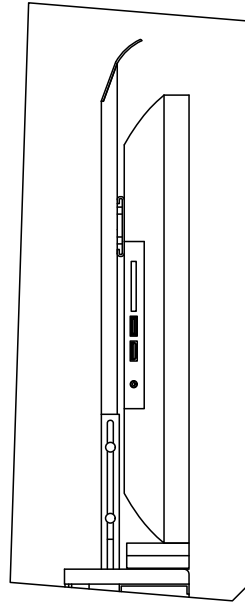
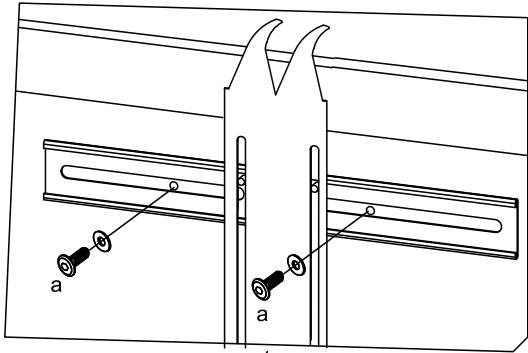
If required, please  
purchase HDMI  
leads about 3mt  
long and length of  
aerial lead to suit  
the position of your  
wall socket.



# Step 9

## TV INSTALLATIONKIT

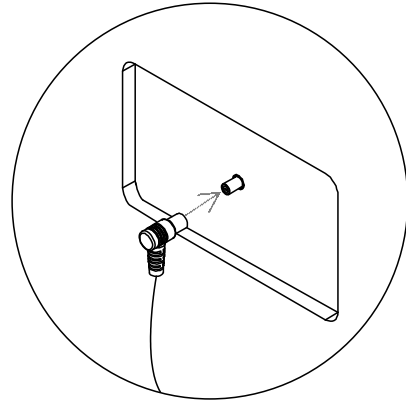
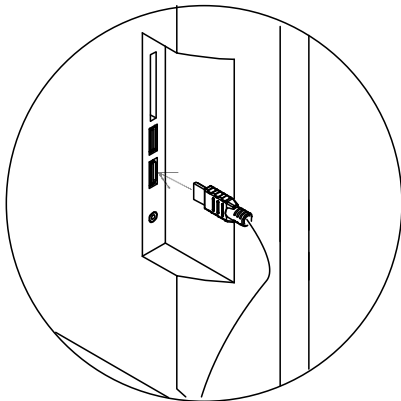
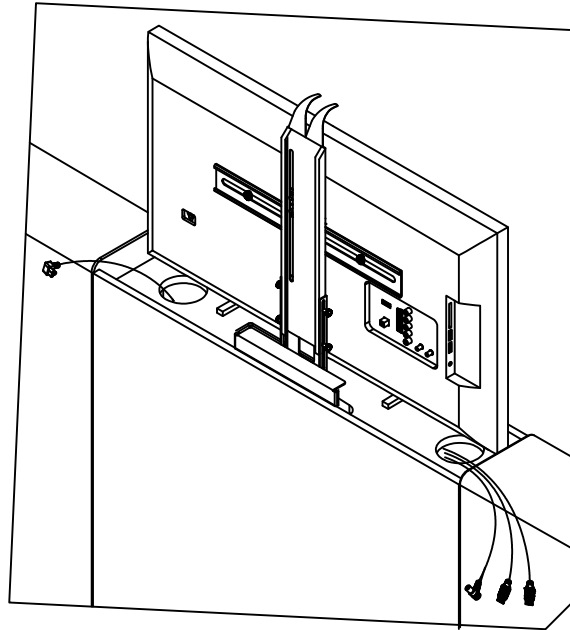
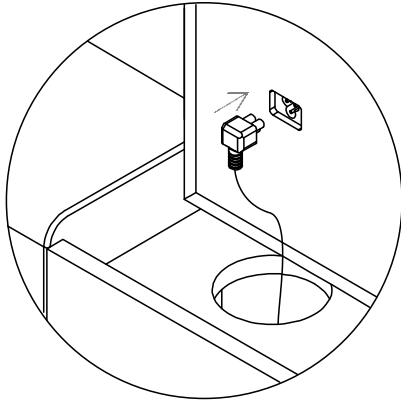
a	Screw-Washer set (M8/M6/M4)		x2
b	Allen Key (5mm/4mm/2.5mm)		x1



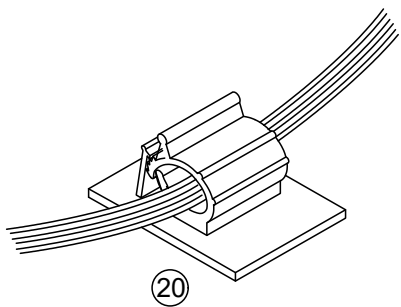
# Step 10

Note: For illustration purposes only, TV connections may vary.

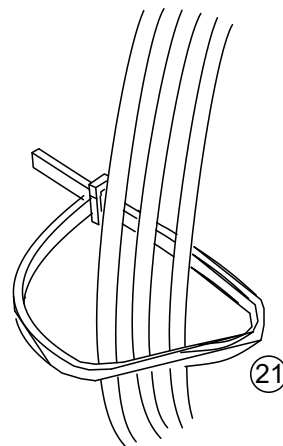
TV power lead supplied  
with your own TV



PLUG IN - KEEP ALL CABLES TIGHT  
-USE CLIPS & TIES PROVIDED.



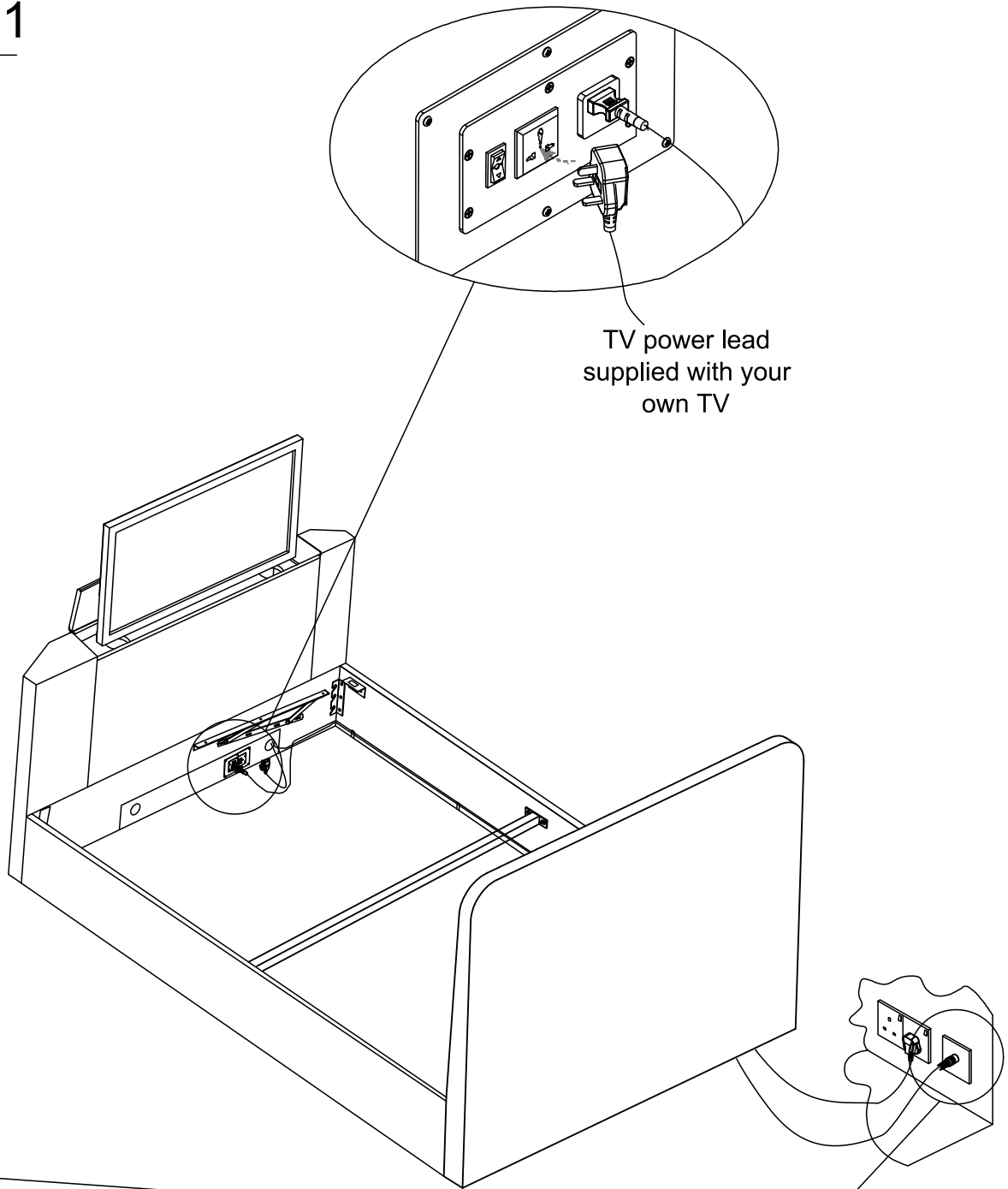
20



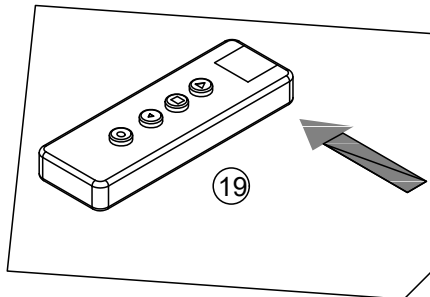
21

Keep wires tight - peel  
off cover from cable clips  
& adhere to back of TV.

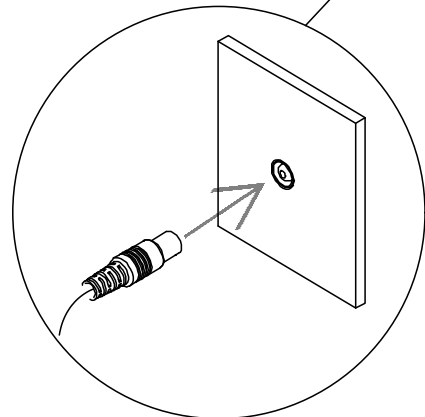
# Step 11



TV power lead  
supplied with your  
own TV

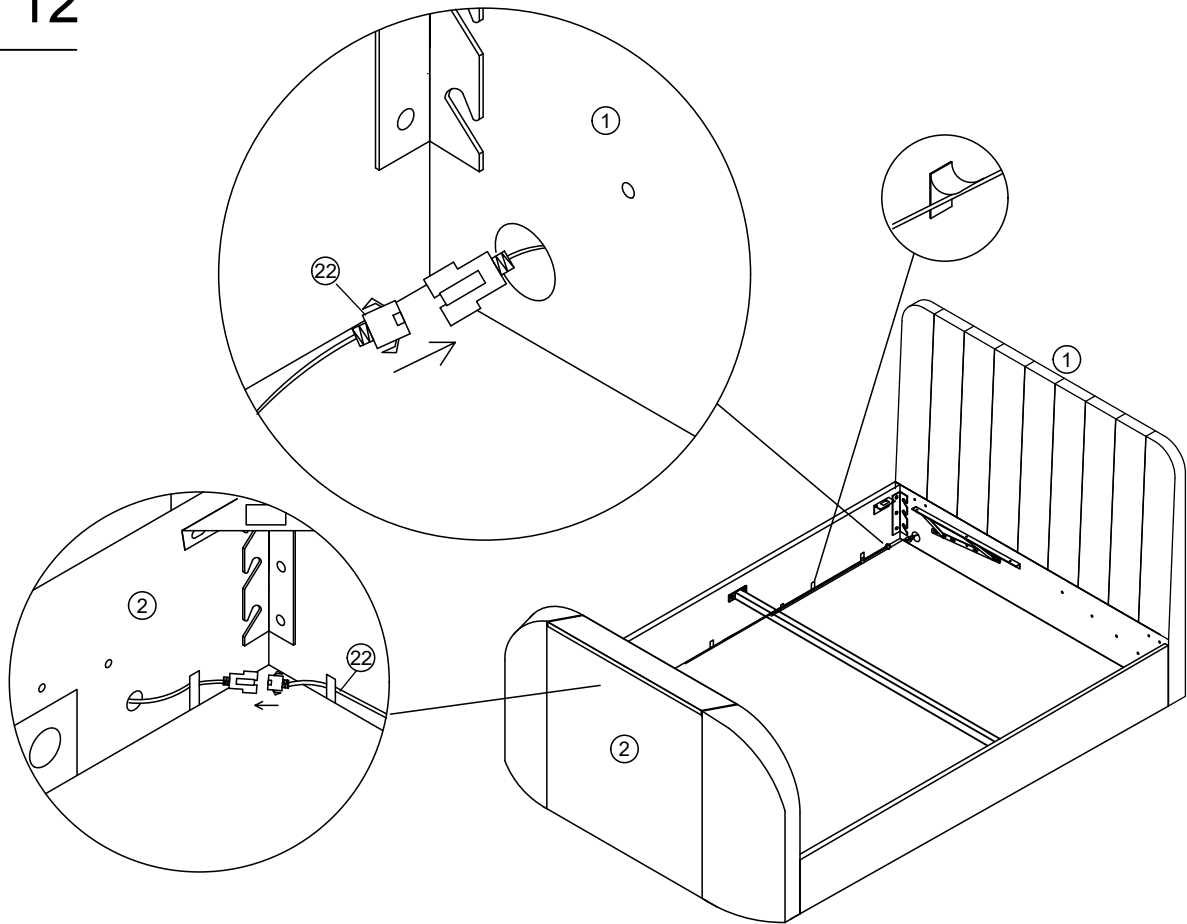


Press the "DOWN" button  
to lower the TV lift.



Aerial lead supplied  
by yourself if required

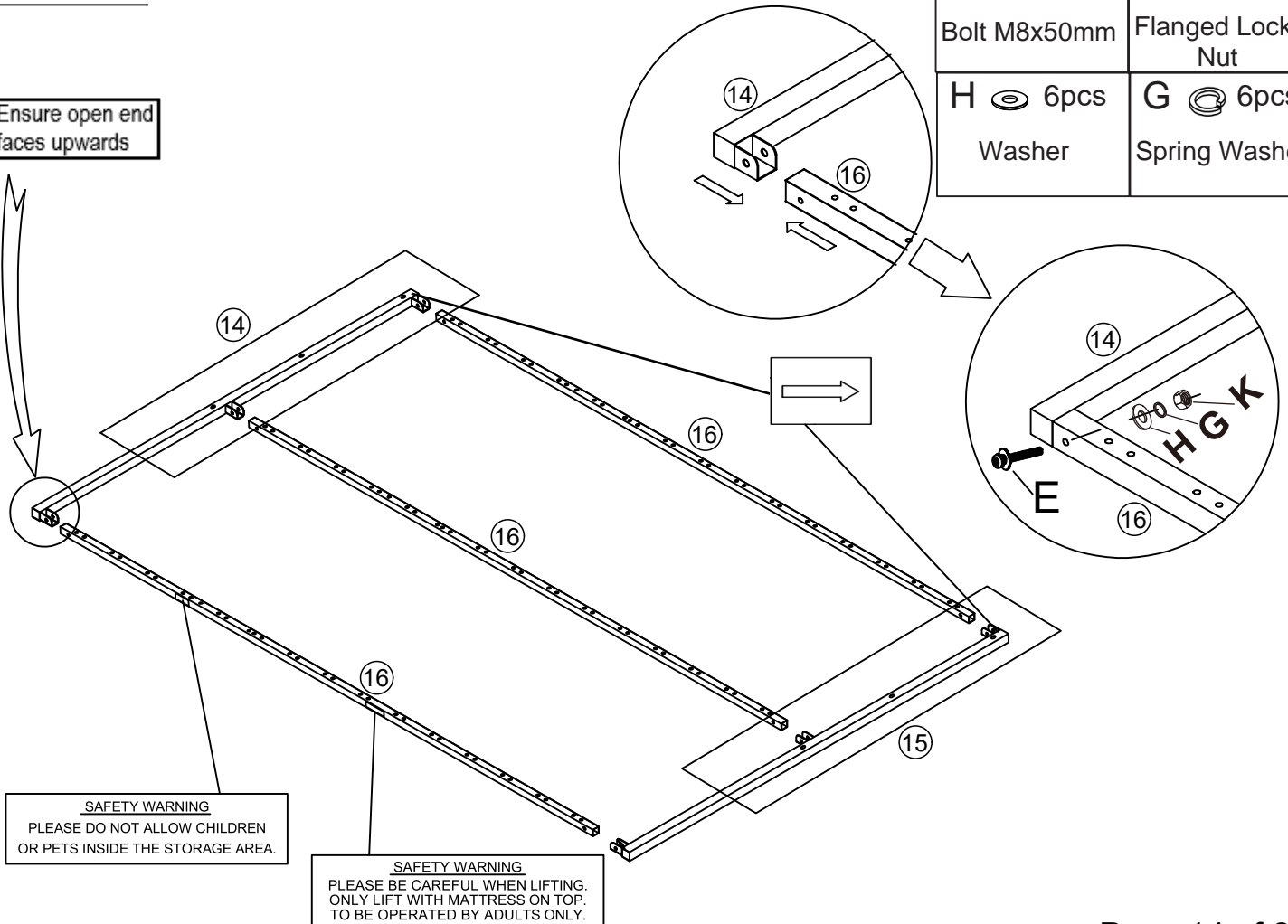
# Step 12



# Step 13

Ensure open end faces upwards

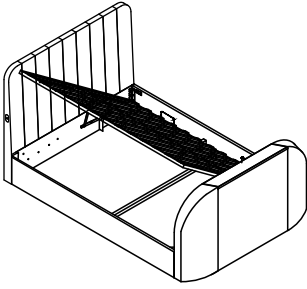
E	6pcs	K	6pcs
	Bolt M8x50mm		Flanged Lock-Nut
H	6pcs	G	6pcs
	Washer		Spring Washer






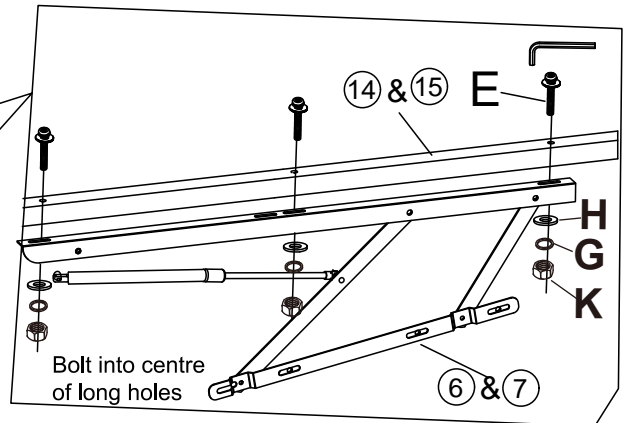
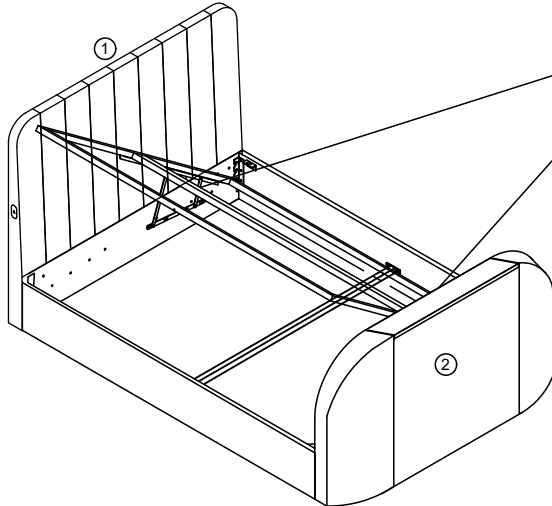
**SAFETY WARNING**  
PLEASE DO NOT ALLOW CHILDREN OR PETS INSIDE THE STORAGE AREA.

**SAFETY WARNING**  
PLEASE BE CAREFUL WHEN LIFTING. ONLY LIFT WITH MATTRESS ON TOP. TO BE OPERATED BY ADULTS ONLY.

## Step 14 a

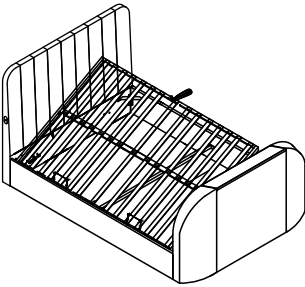


E  6pcs Bolt M8x50mm	K  6pcs Flanged Lock-Nut
H  6pcs Washer	G  6pcs Spring Washer

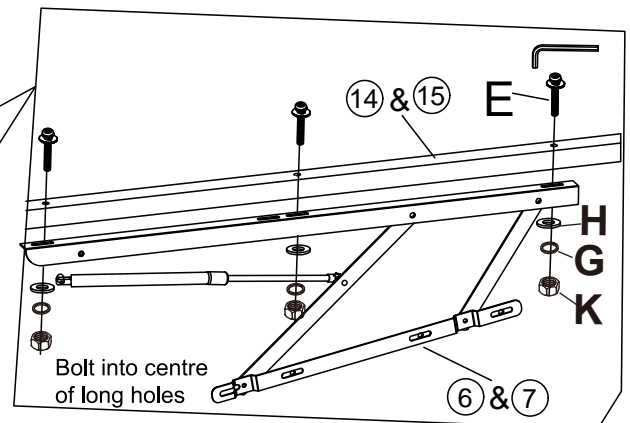
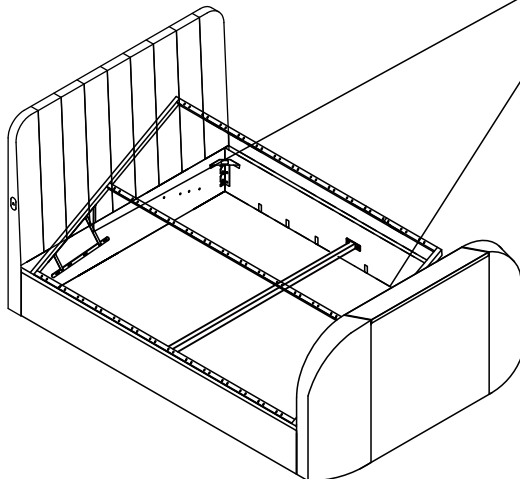


x2

## Step 14 b

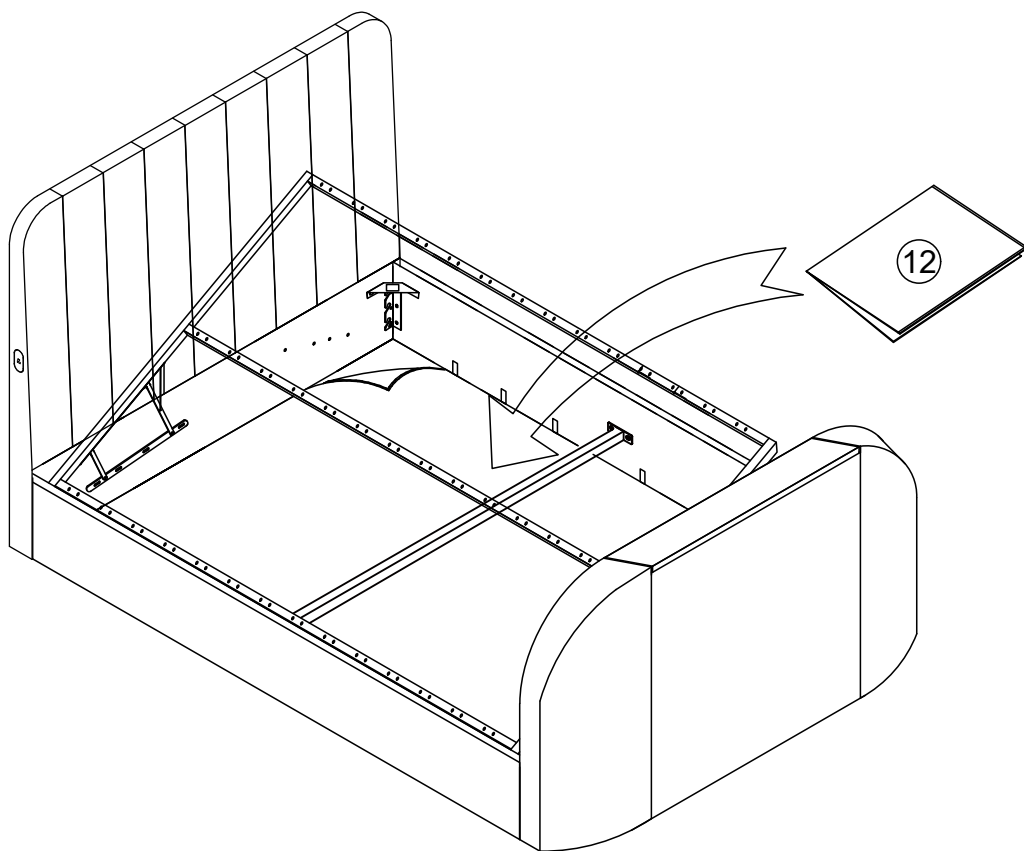


E  6pcs Bolt M8x50mm	K  6pcs Flanged Lock-Nut
H  6pcs Washer	G  6pcs Spring Washer





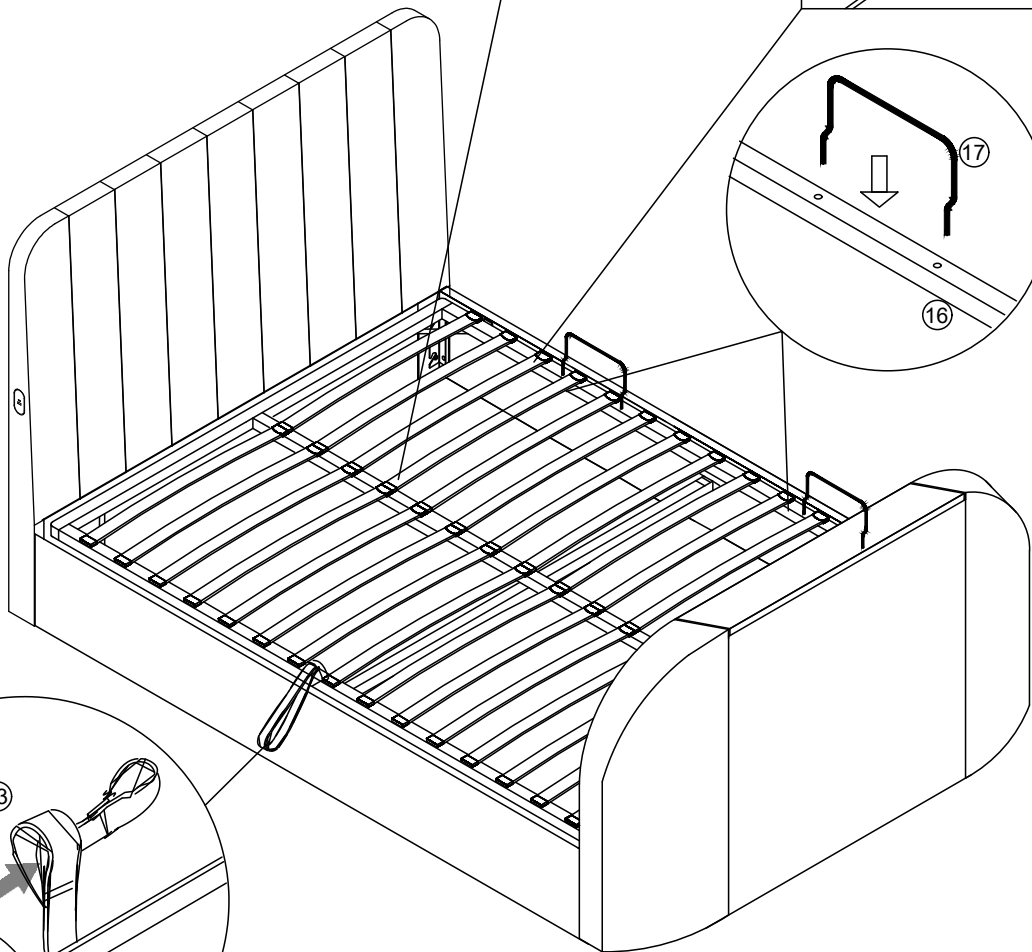
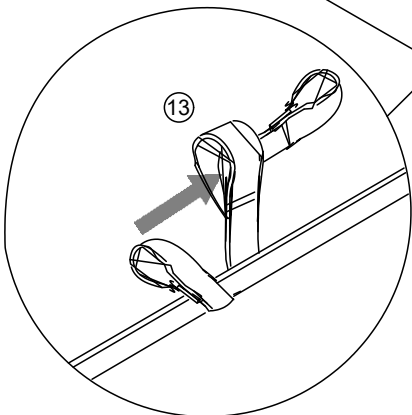
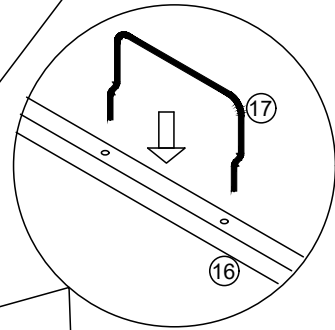
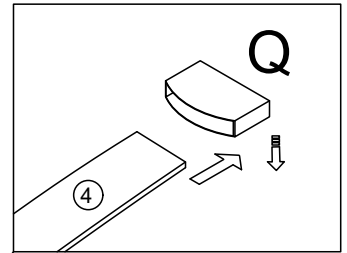
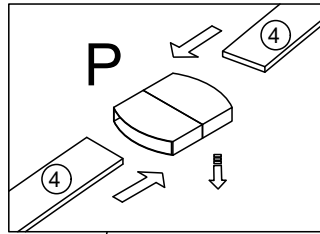
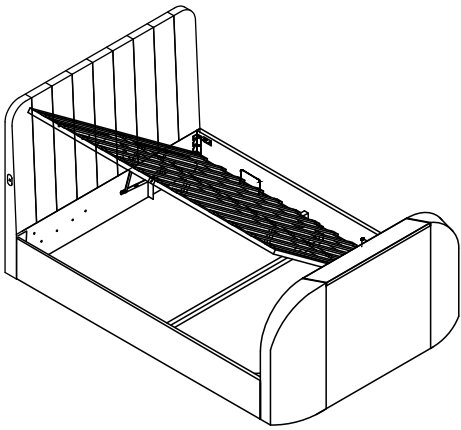
x2

# Step 15





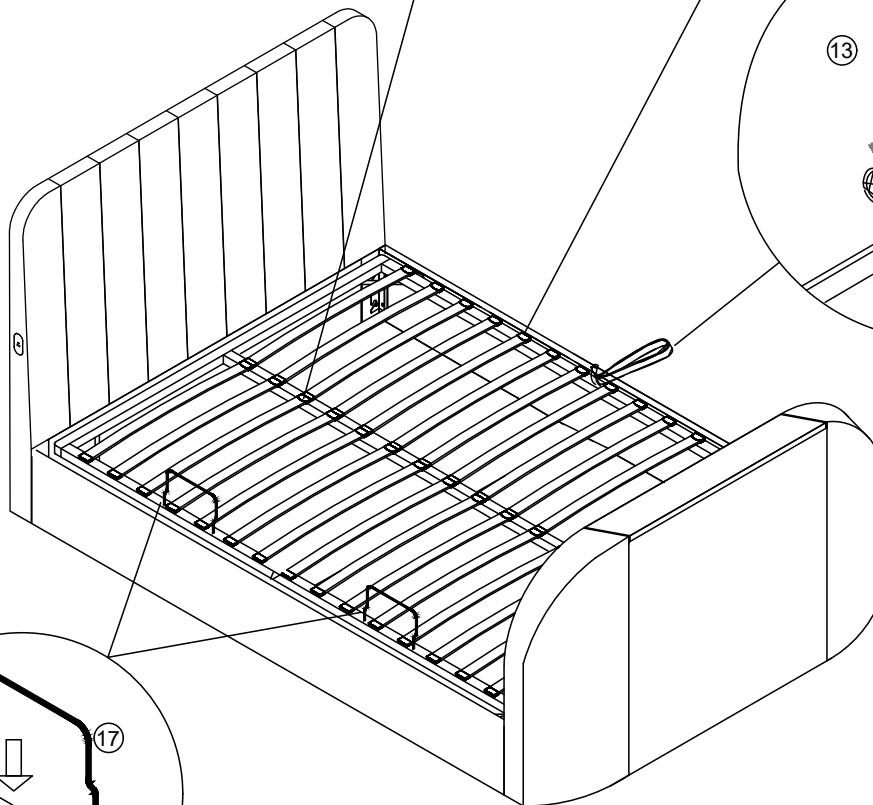
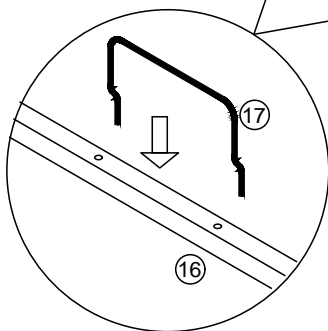
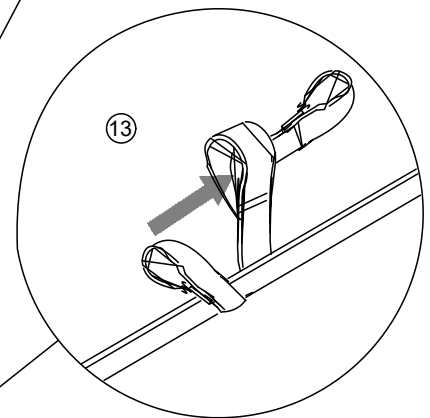
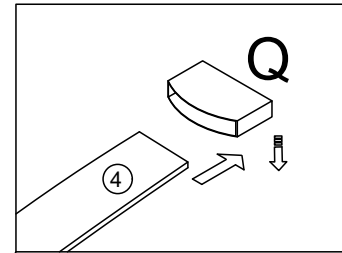
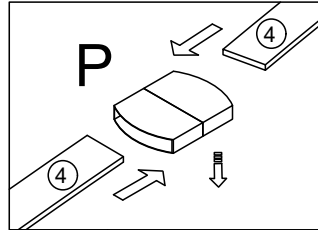
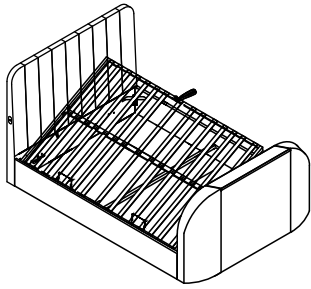
# Step 16 a

<b>Q</b>  30/32 pcs	<b>P</b>  15/16 pcs
Single Plastic Cap	Double Plastic Cap



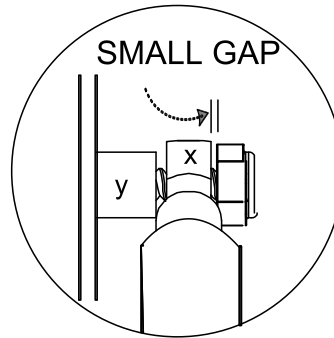
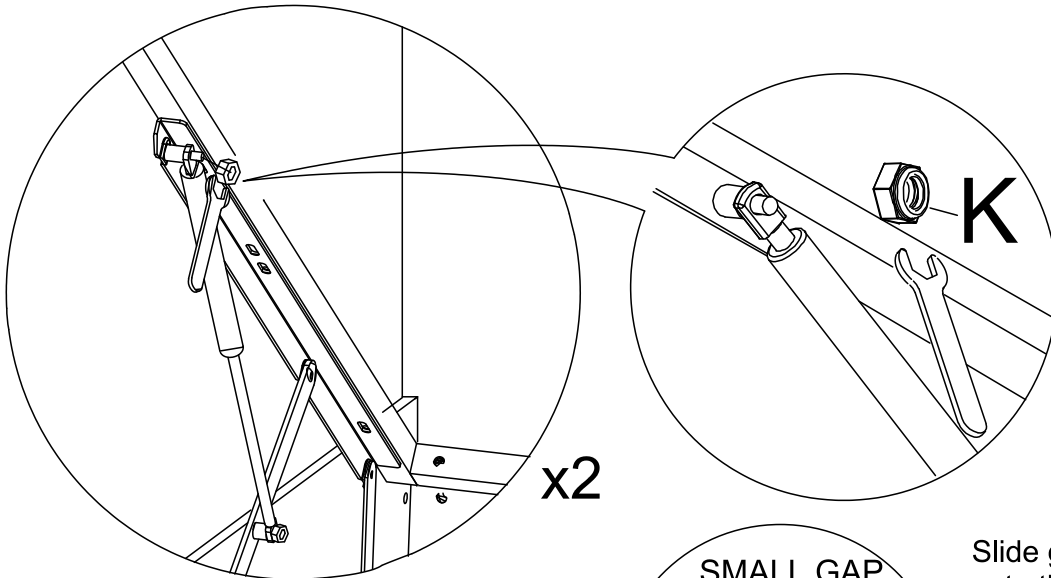
# Step 16b

<b>Q</b>  30/32 pcs	<b>P</b>  15/16 pcs
Single Plastic Cap	Double Plastic Cap



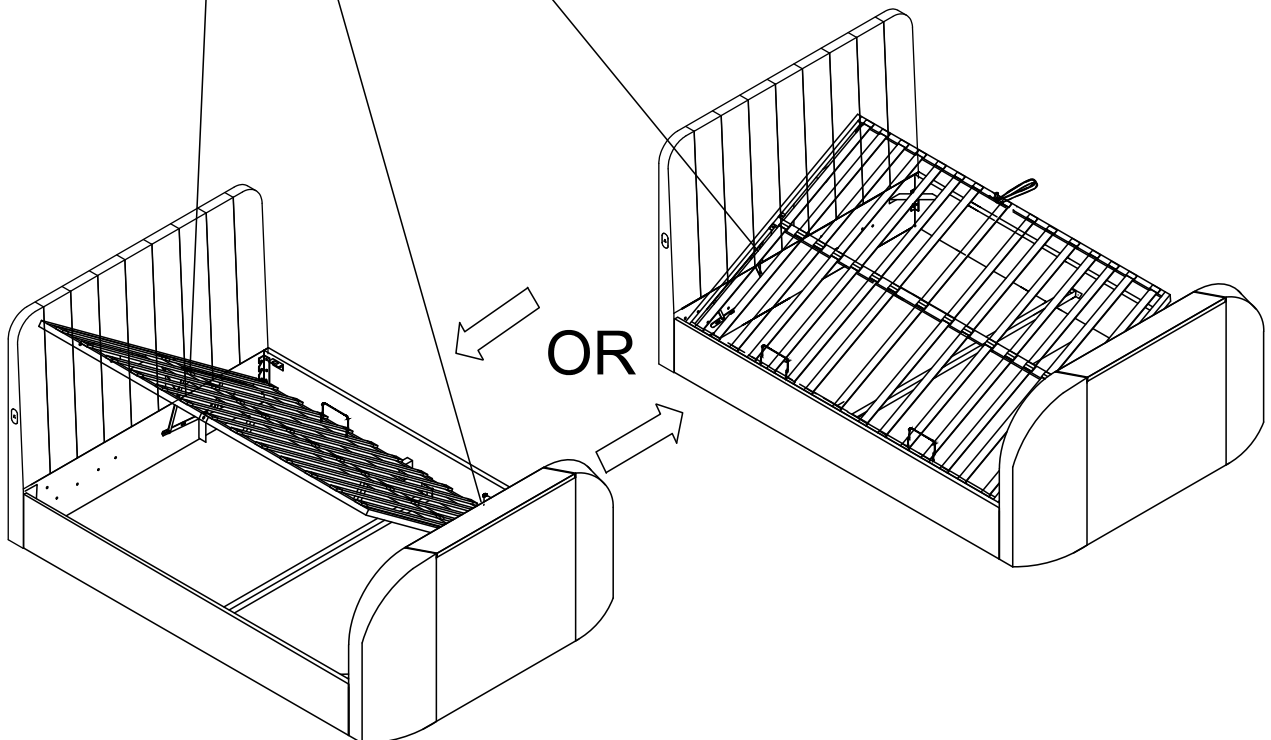
# Step 17

**K**  4pcs  
Flanged Lock-Nut





Slide gas-lift cylinder stem (x) onto the axle (y) then fit the flange lock-nut (J). Tighten nut with spanner (P) do not over-tighten.

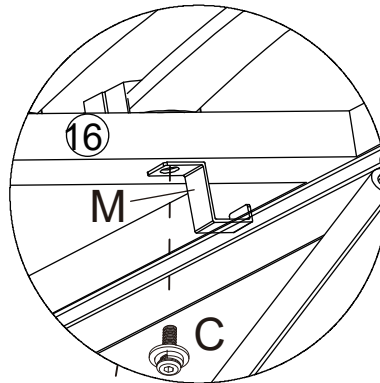
A small gap must be left so stem can move freely - this is important, see sketch above.



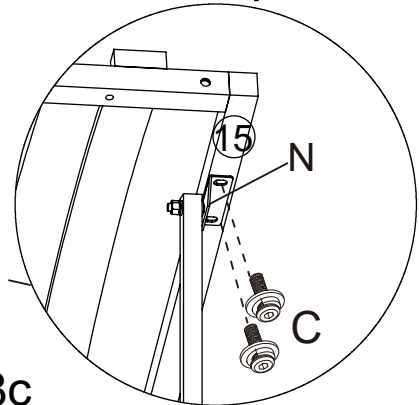
# Step 18

C	 3pcs	F	 2pcs
Bolt M8x25mm		Bolt M8x60mm	

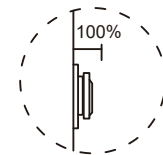
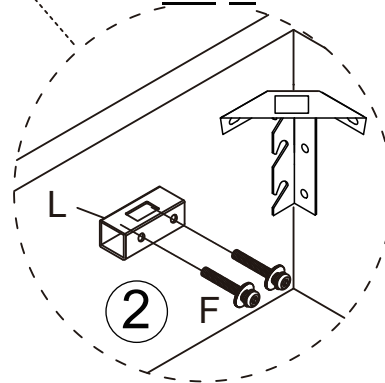
## Step 18a



## Step 18b

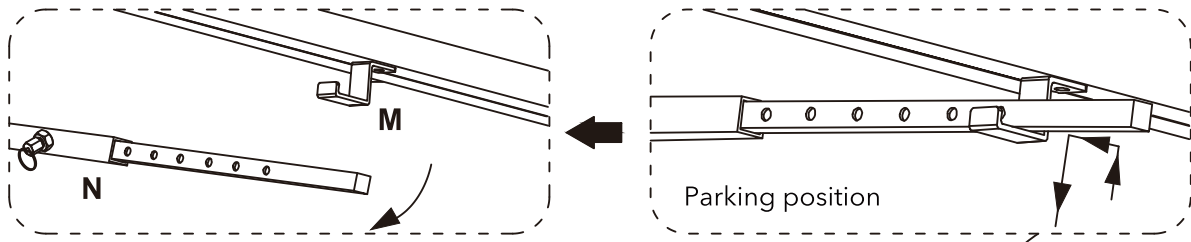


## Step 18c



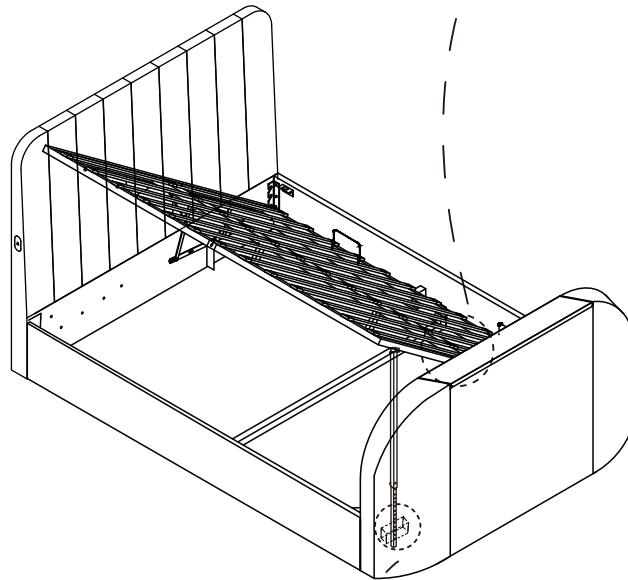
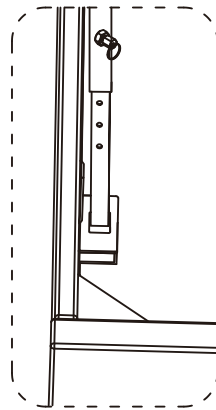
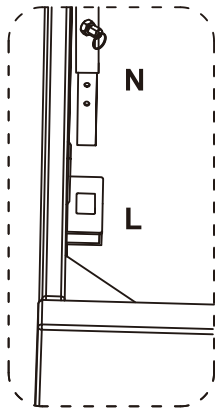
# Step 19

**DO NOT OPERATE OTTOMAN MECHANISM WITHOUT SAFETY SUPPORT ARM**

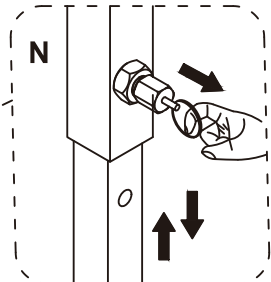


Lift Support Arm Rod from Hook (M) to sit on Fix Bracket (L)

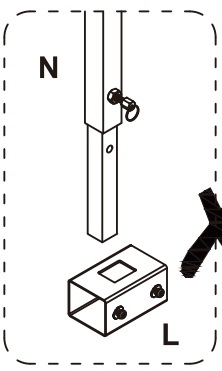
Support Arm Rod (N)  
Parked on Hook (M)



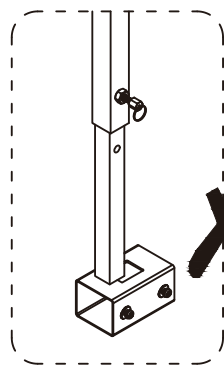
Adjust Height of Support Arm Rod



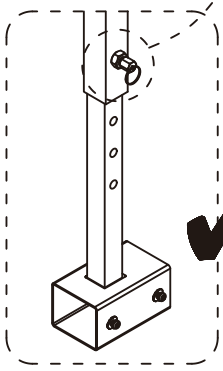
**ENSURE SUPPORT ARM SITS SECURELY!**



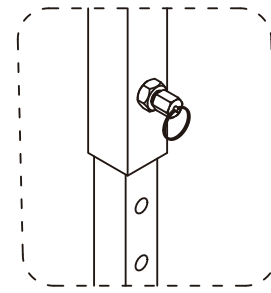
WRONG



WRONG

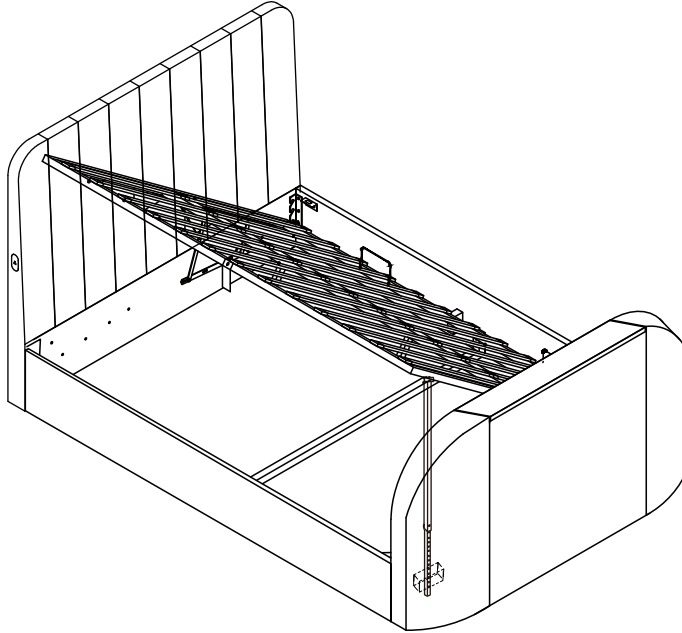


CORRECT



## Step 20

### LEFT SIDE



### RIGHT SIDE

