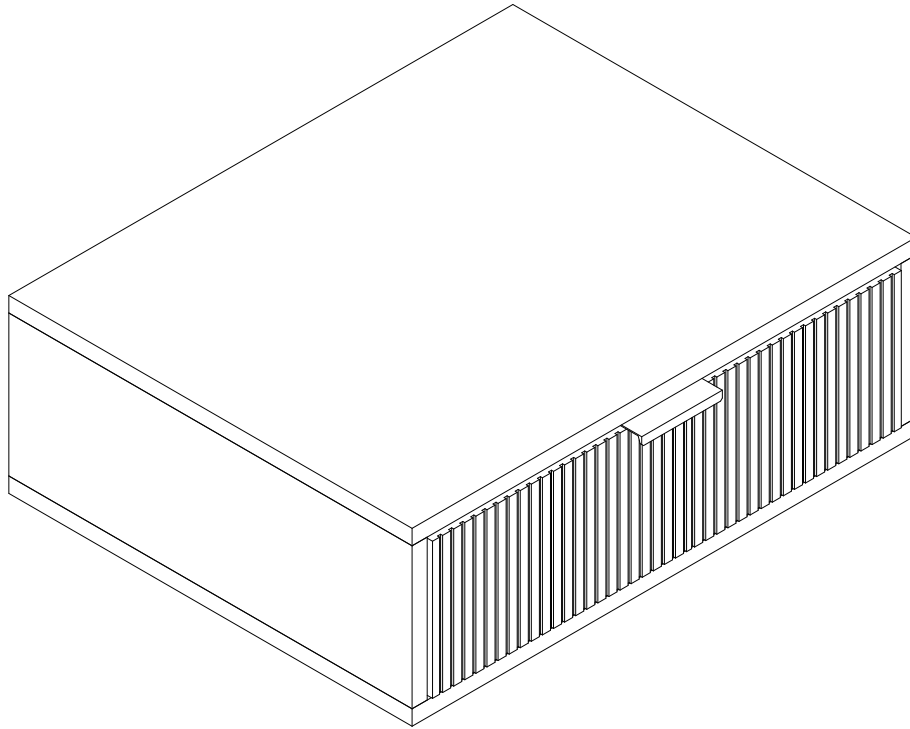


# SIENNA BEDSIDE TABLE ASSEMBLY INSTRUCTIONS

Thank you for purchasing the SIENNA BEDSIDE TABLE.  
Please read the instructions carefully to ensure safe operation of the product.



Size:W50 x D40 x H17cm

---

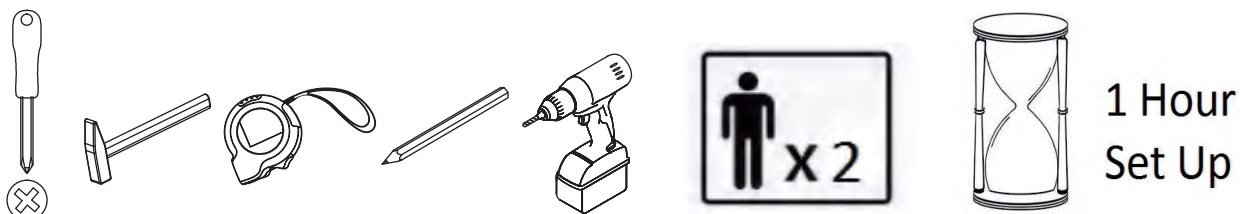
**PLEASE READ** this sheet prior to assembly to familiarise yourself with the various stages of construction.

Carefully open the pack supplied and check the contents against the parts and fittings check list. Do not destroy any of the packaging until you are certain that you have all the necessary parts for the assembly.

**CAUTION:** There are small components used in the construction of this unit. These loose items should be kept away from young children whilst assembling your unit to avoid the danger of choking hazards.

---

## Tools Required



1 Hour  
Set Up

# SIENNA BEDSIDE TABLE ASSEMBLY INSTRUCTIONS

## **IMPORTANT - READ CAREFULLY - RETAIN THESE INSTRUCTIONS FOR FUTURE REFERENCE.**

### **INFORMATION**

Due to the size of this product we recommend that it is assembled in the room intended for use.  
When you are ready to start, make sure that you have the right tools, plenty of space and a clean, dry area for assembly.  
Unwrap all packaging materials and place the components on top of the carton box or on a clean floor to prevent it from scratching.  
Check the pack and make sure you have all the parts listed.  
Ensure that this product is fully assembled as illustrated before use.  
Check all screws or bolts are tightened and inspect regularly  
Keep small parts out of reach of children.  
Tools not included.

### **WARNINGS**

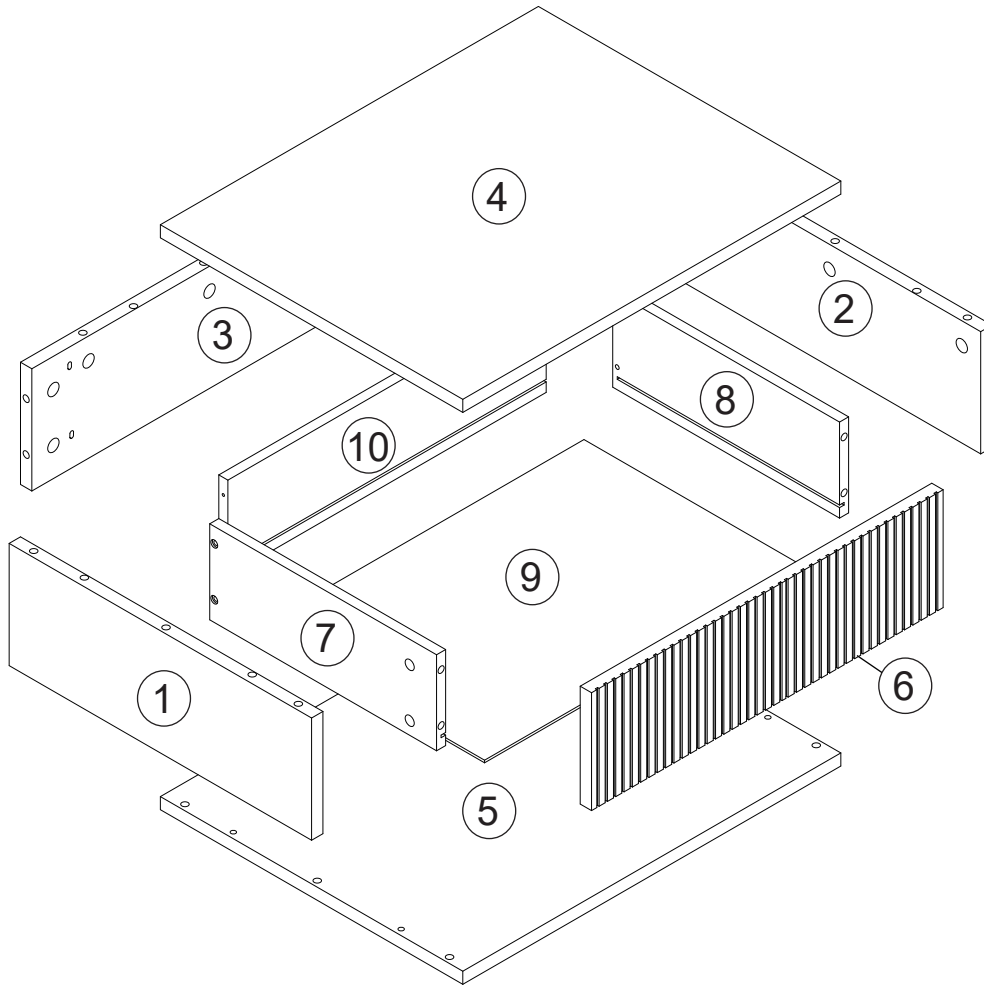
DO NOT use power tools to construct this product.  
DO NOT use this product if parts are missing, damaged or worn.  
DO NOT stand on the product.  
DO NOT place very hot or very cold items on the surface unless adequately thick tablemats are used to prevent such items damaging your bedside top  
This product should be fixed to the wall using the brackets and screws supplied.  
Before installation, please ensure the suitability of the wall to ensure that it will support the weight of the dressing table and contents.

### **CARE INFORMATION**


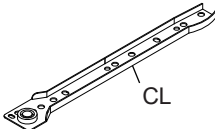
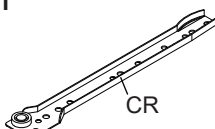
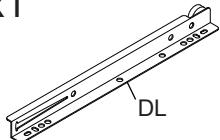
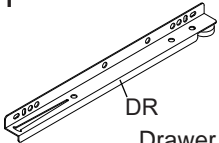
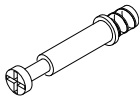
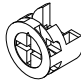

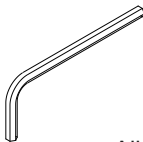
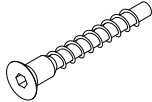
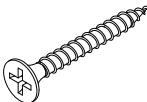

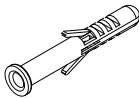
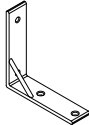
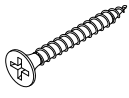
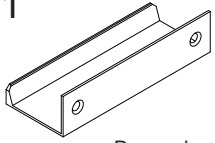
Never use scourers, abrasives or chemical cleaners.  
To clean wipe with a sponge and warm soapy water. Do not use solvent based cleaners or detergents as they can bleach or damage the product.

# SIENNA BEDSIDE TABLE ASSEMBLY INSTRUCTIONS

## PART LIST



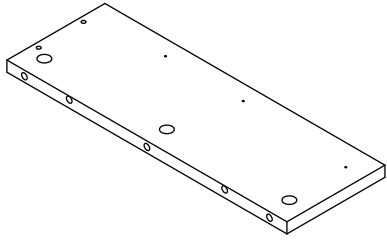
## HARDWARE LIST

<b>Ax14</b>  Screw M3.5x12mm	<b>Bx1</b>  CL Drawer slide	<b>Cx1</b>  CR Drawer slide	<b>Dx1</b>  DL Drawer slide
<b>Ex1</b>  DR Drawer slide	<b>Fx17</b>  Cam bolt M6*35mm	<b>Gx17</b>  Cam	<b>Hx12</b>  Wood Dowel
<b>Ix1</b>  Allen key	<b>Jx9</b>  Screw M7*50mm	<b>Kx4</b>  Screw M4x80mm	<b>Lx4</b>  Screw M6x15mm
<b>Mx4</b>  Wall plug	<b>Nx2</b>  Bracket	<b>Ox4</b>  Screw M4x30mm	<b>Px1</b>  Drawer handle

# SIENNA BEDSIDE TABLE ASSEMBLY INSTRUCTIONS

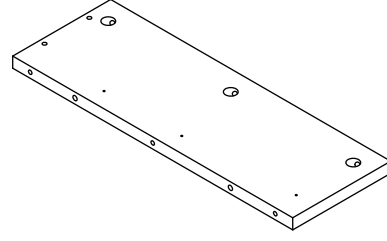
## PART LIST

① x1



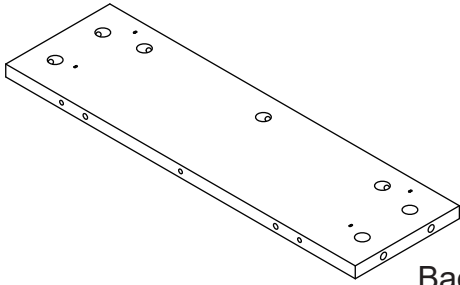
LH side panel

② x1



RH side panel

③ x1



Back panel

④ x1

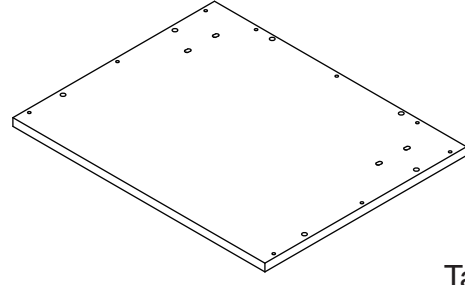
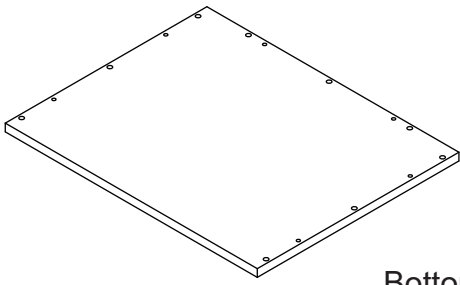


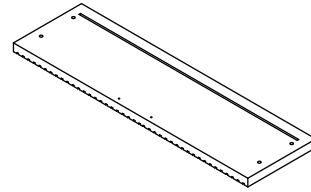
Table top

⑤ x1



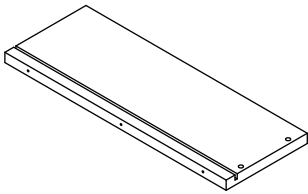
Bottom panel

⑥ x1



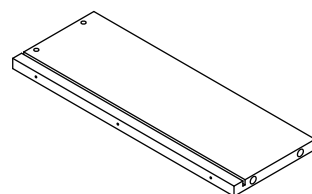
Drawer front

⑦ x1



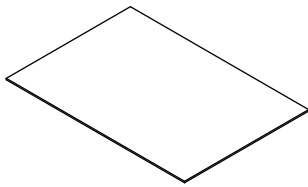
LH Drawer side

⑧ x1



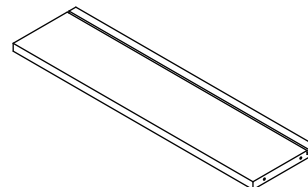
RH Drawer side

⑨ x1



Drawer bottom

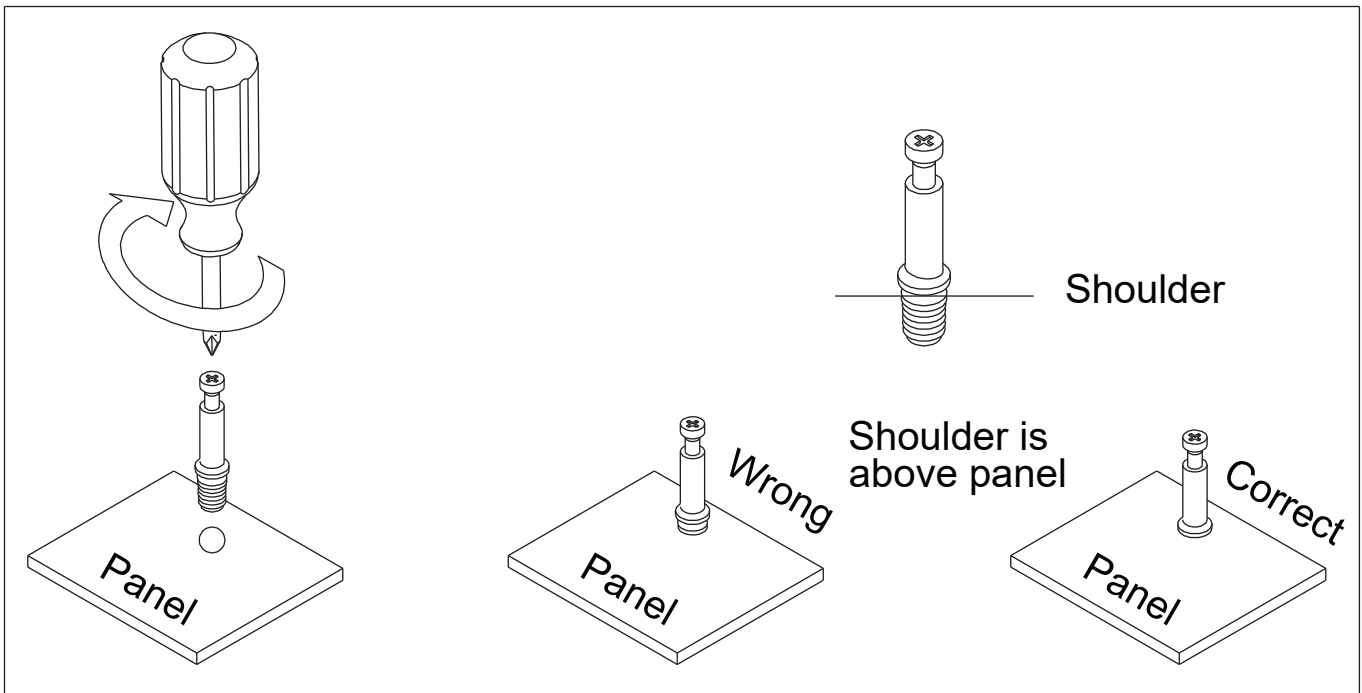
⑩ x1



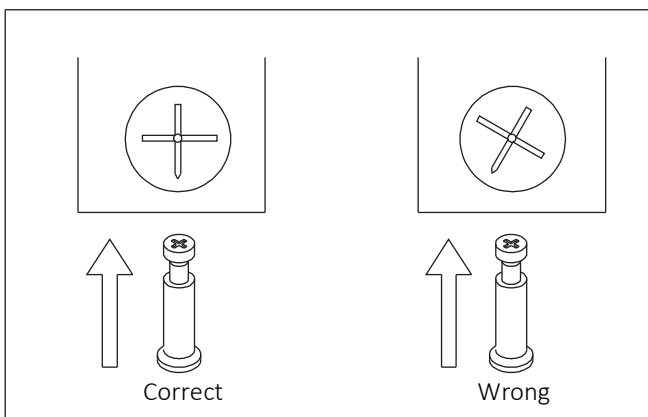
Drawer back

# SIENNA BEDSIDE TABLE ASSEMBLY INSTRUCTIONS

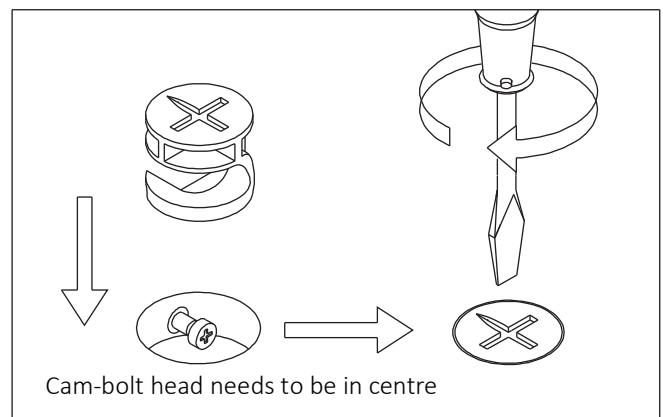
## Instructions For Fastening CAM-BOLT AND CAM-LOCK



Attach the Cam-bolt to the specific pre-drilled holes on the panel. Use a Phillips Screwdriver to tighten Cam-bolt vertically until shoulder is flush (on the same level) with panel. Do not over-tighten or under-tighten.



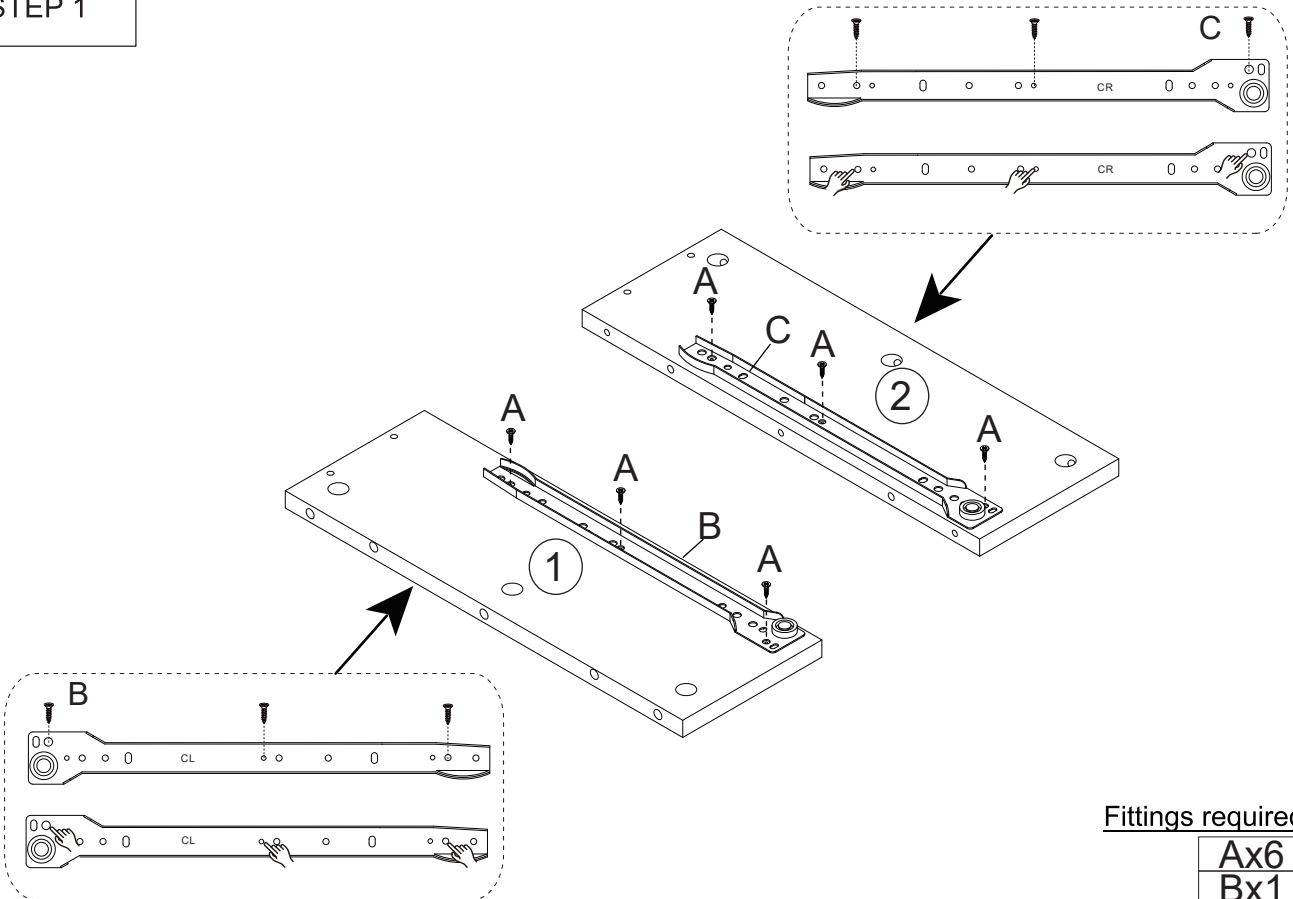
Align the arrow of the Cam-lock to the Cam-bolt head and insert the Cam-lock.



Use a Flat Screwdriver or Phillips Screwdriver to turn the Cam-lock clockwise one half a turn so it locks onto the head of the Cam-lock. Turn only until it is snug. Over-tightening could damage Cam-lock or/and Cam-bolt.

# SIENNA BEDSIDE TABLE ASSEMBLY INSTRUCTIONS

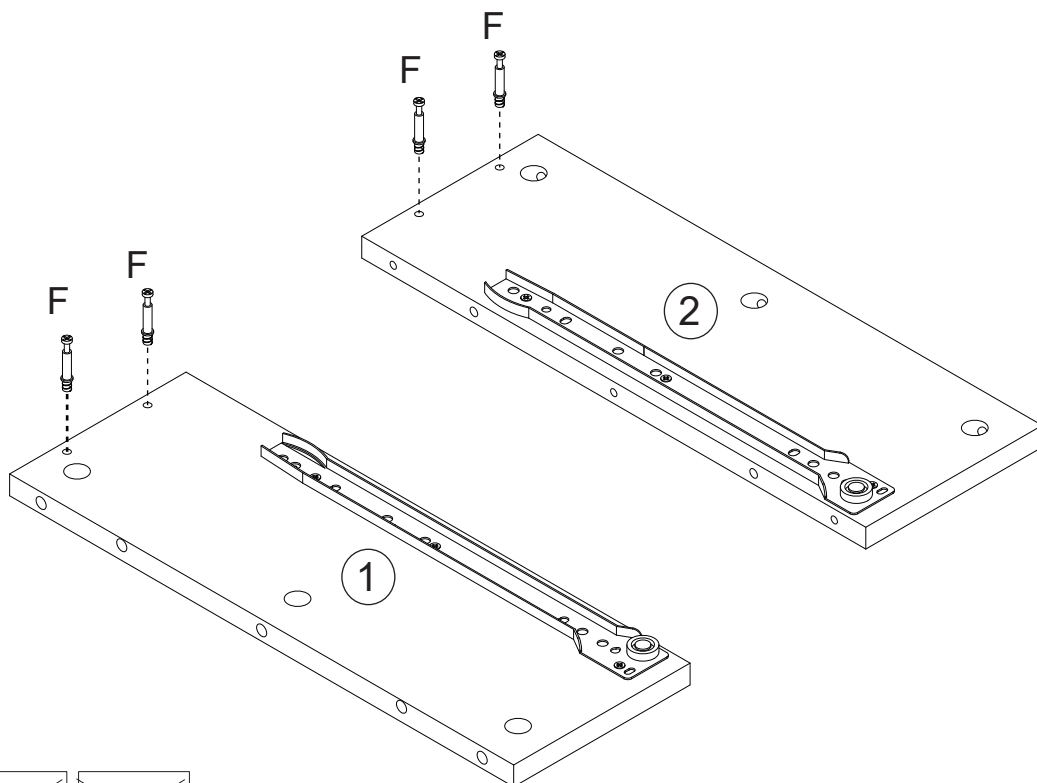
## STEP 1



Fittings required

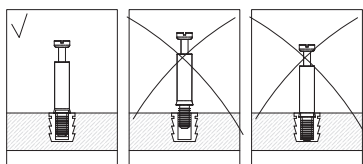
Ax6
Bx1
Cx1

## STEP 2



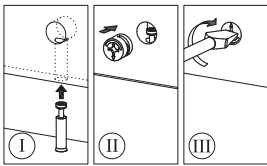
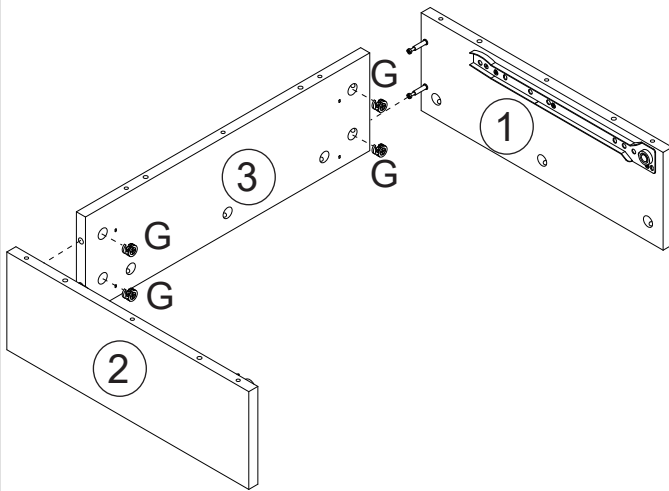
Fittings required

Fx4
-----



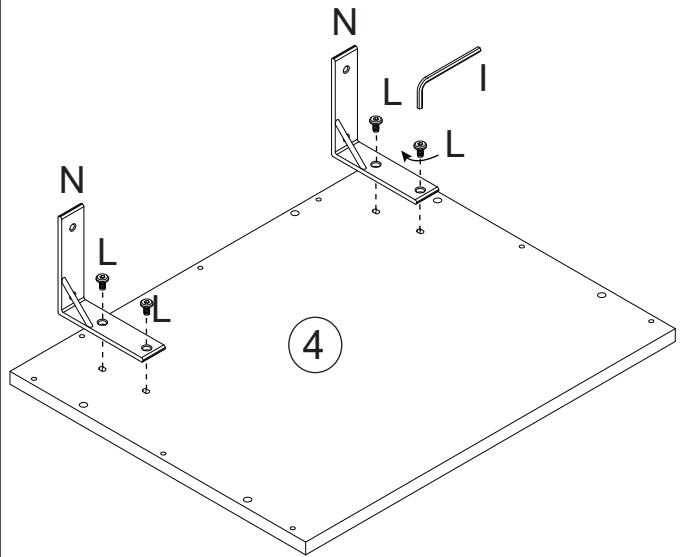
# SIENNA BEDSIDE TABLE ASSEMBLY INSTRUCTIONS

STEP 3



Fittings required  
Gx4

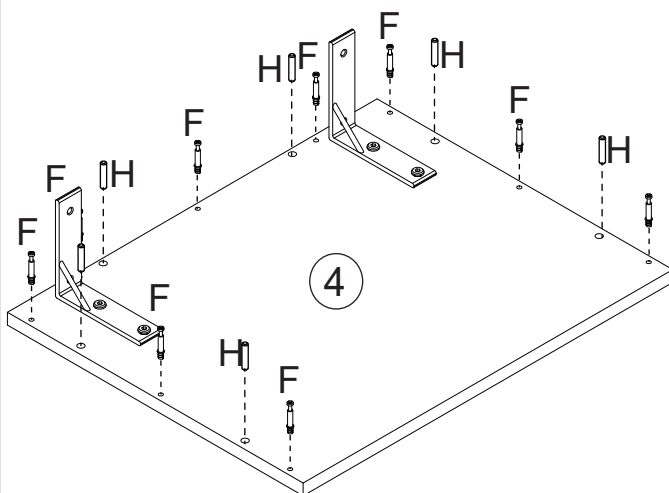
STEP 4



Fittings required

Nx2
Lx4
Ix1

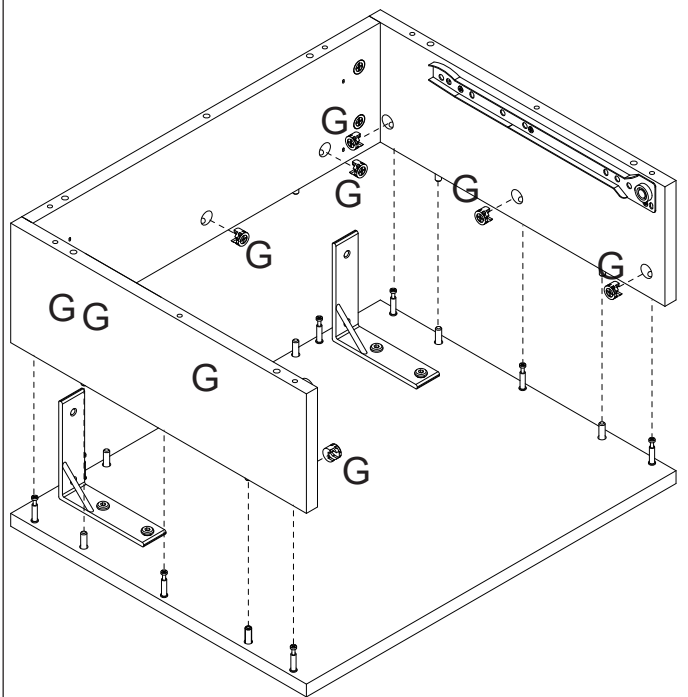
STEP 5



Fittings required

Hx6
Fx9

STEP 6

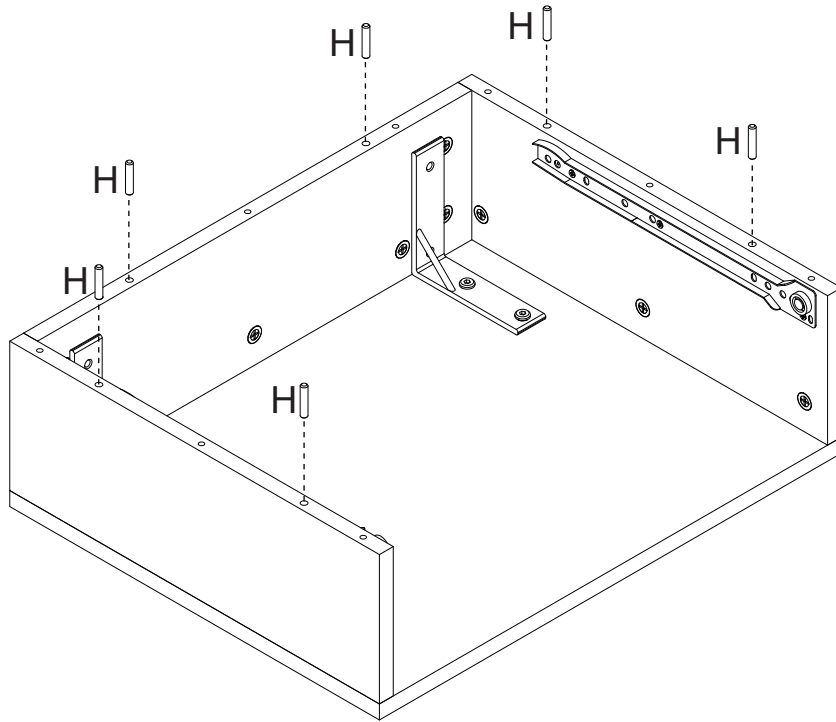


Fittings required

Gx9
-----

# SIENNA BEDSIDE TABLE ASSEMBLY INSTRUCTIONS

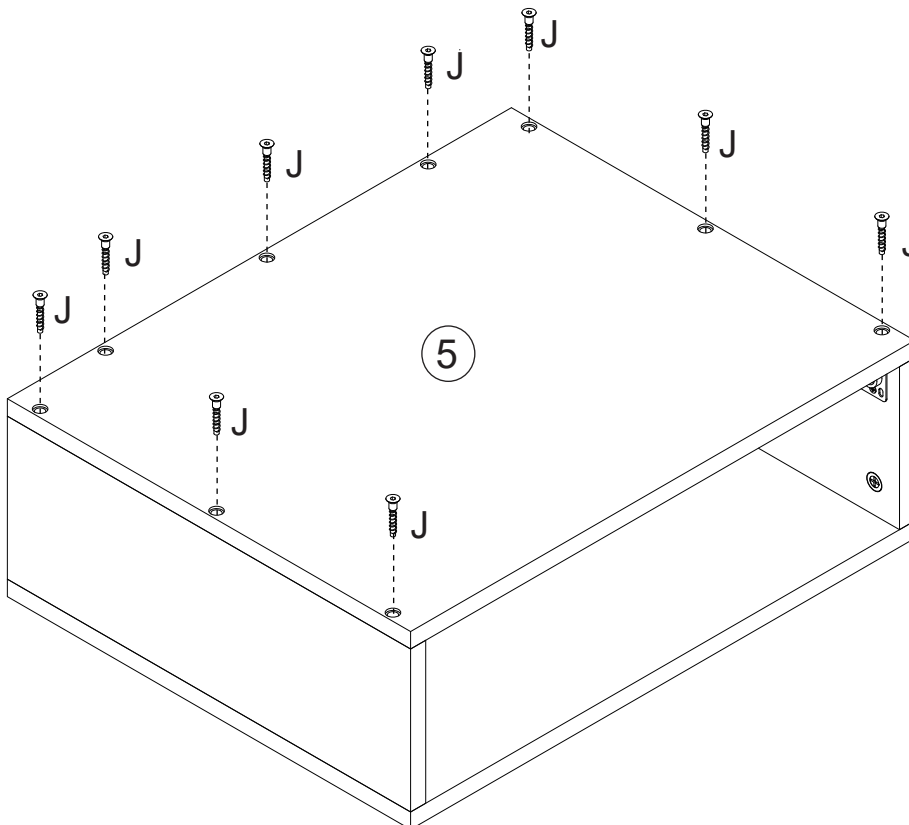
## STEP 7



Fittings required

Hx6

## STEP 8

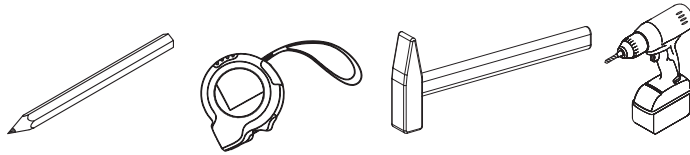


Fittings required

Jx9

# SIENNA BEDSIDE TABLE ASSEMBLY INSTRUCTIONS

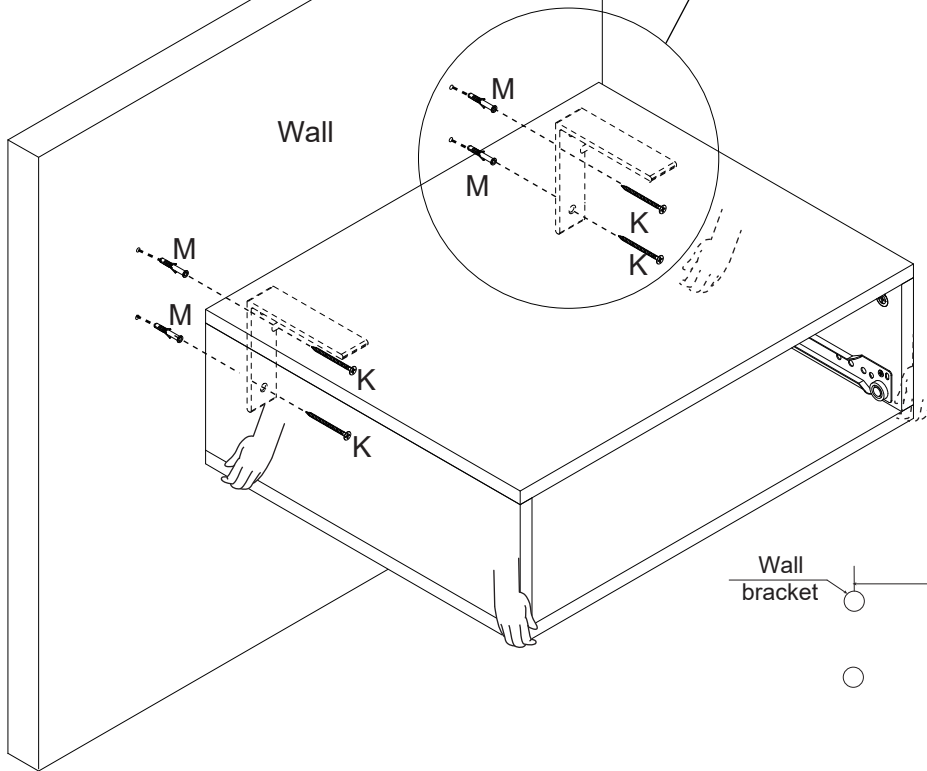
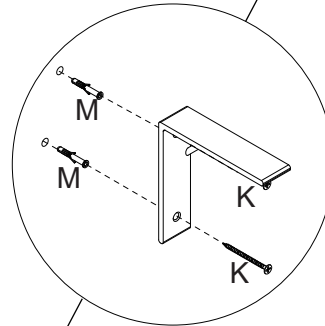
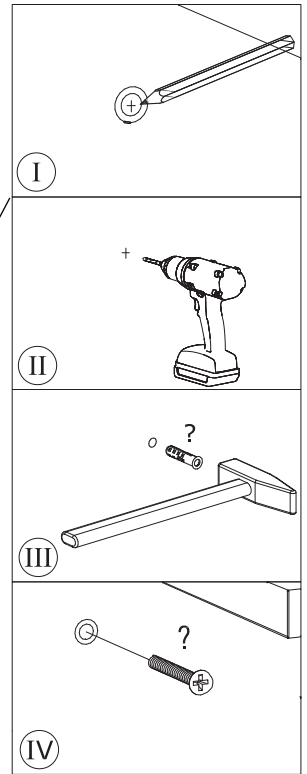
## STEP 9



**Assembly note:** This step requires two persons.

Person A: Lift and support the cabinet.

Person B: Install the screws.



The shown clearance height is 73cm. Adjust the height to suit your preference.



Position the bedside table against the wall that it will be fastened to and using a pencil, mark the position of the screw holes onto the wall.

Drill where the holes have been marked and insert the wall plugs, ensuring the edge is flush with the surface of the wall.

**WARNING** This product should be fixed to the wall using the brackets and screws supplied.

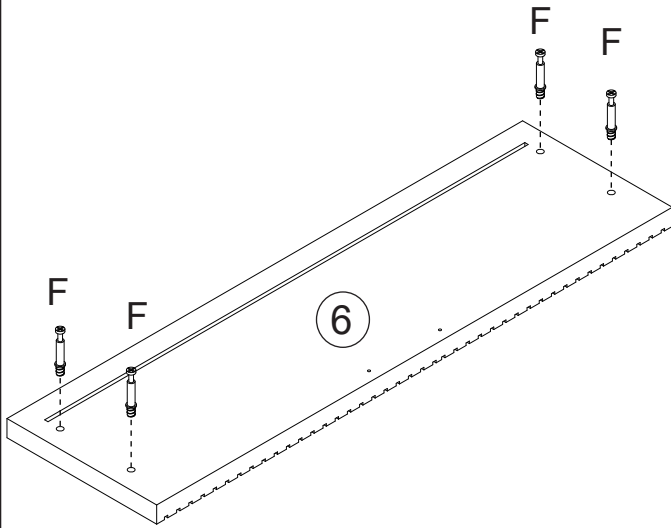
Before installation, please ensure the suitability of the wall to ensure that it will support the weight of the dressing table and contents.

Fittings required

Mx4
Kx4

# SIENNA BEDSIDE TABLE ASSEMBLY INSTRUCTIONS

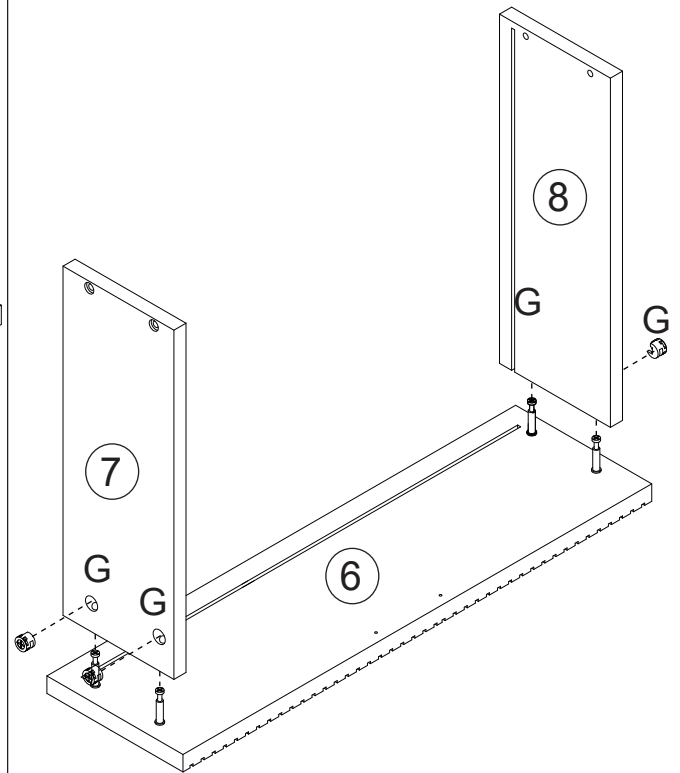
STEP 10



Fittings required

Fx4

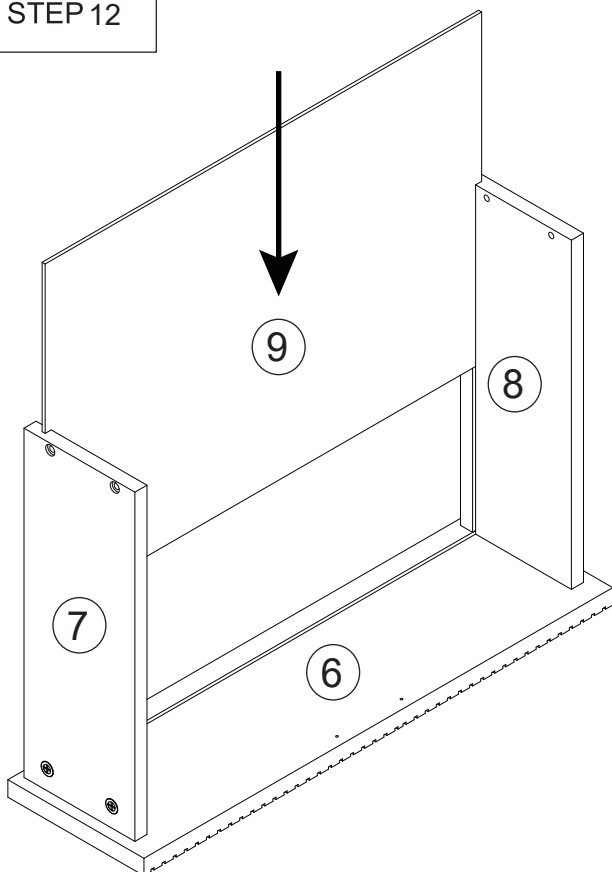
STEP 11



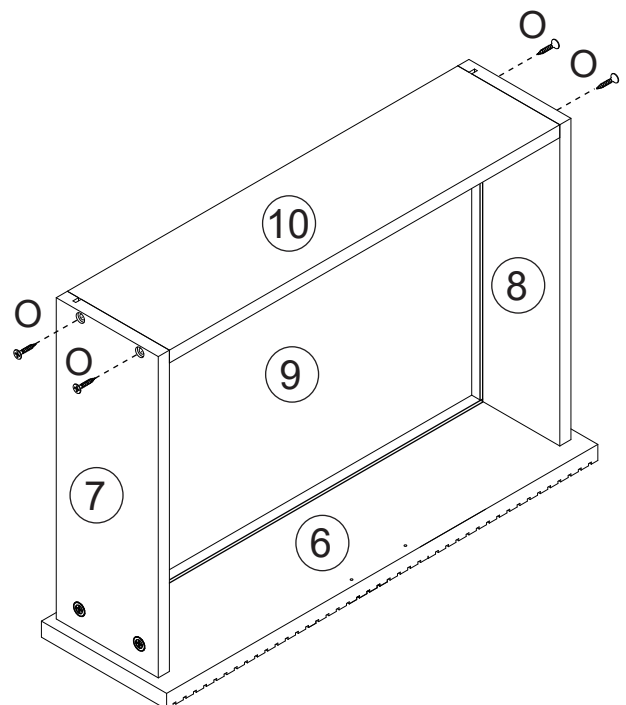
Fittings required

Gx4

STEP 12



STEP 13

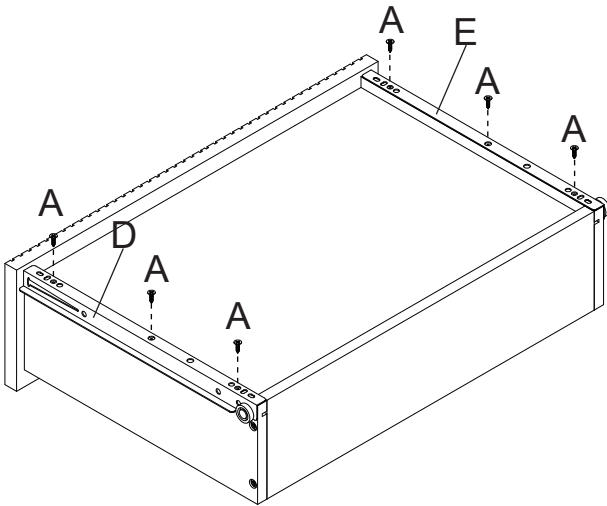


Fittings required

Ox4

# SIENNA BEDSIDE TABLE ASSEMBLY INSTRUCTIONS

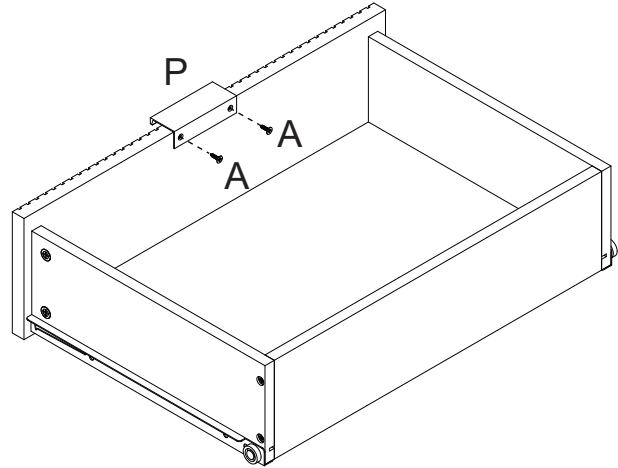
STEP 14



Fittings required

Ax6
Dx1
Ex1

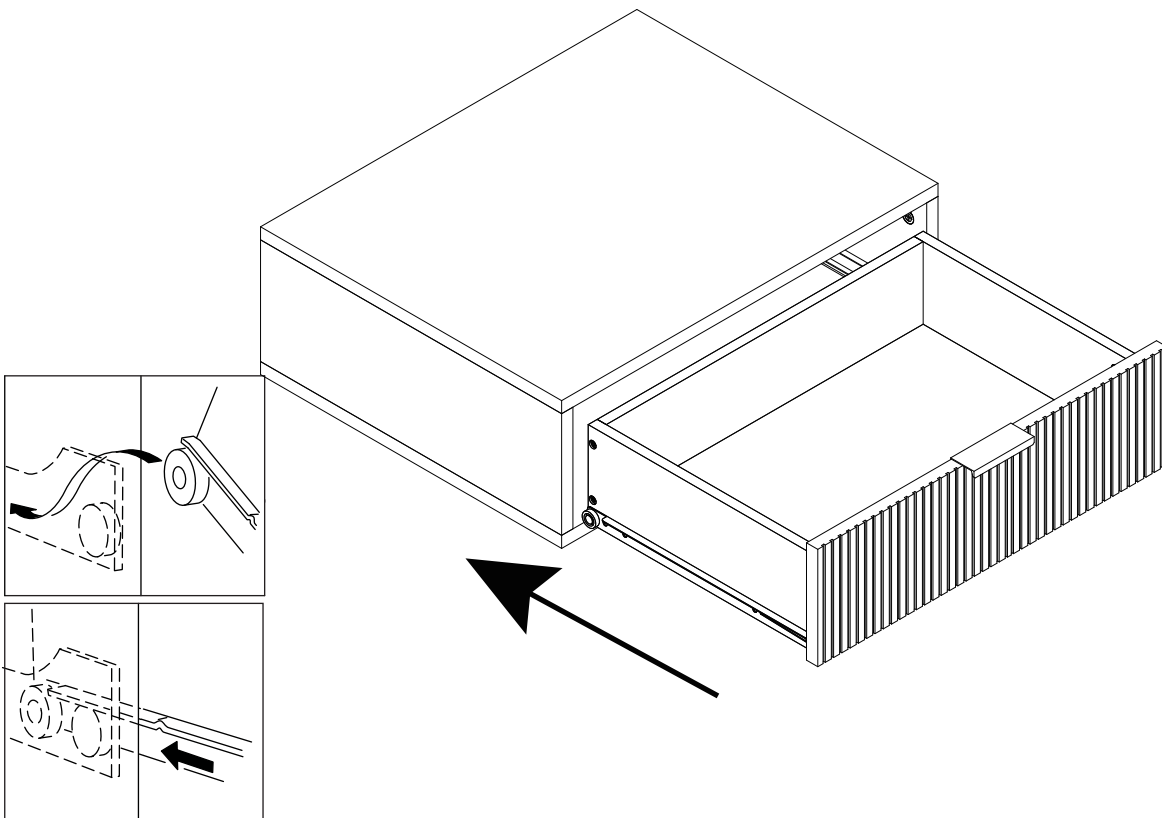
STEP 15



Fittings required

Ax2
Px1

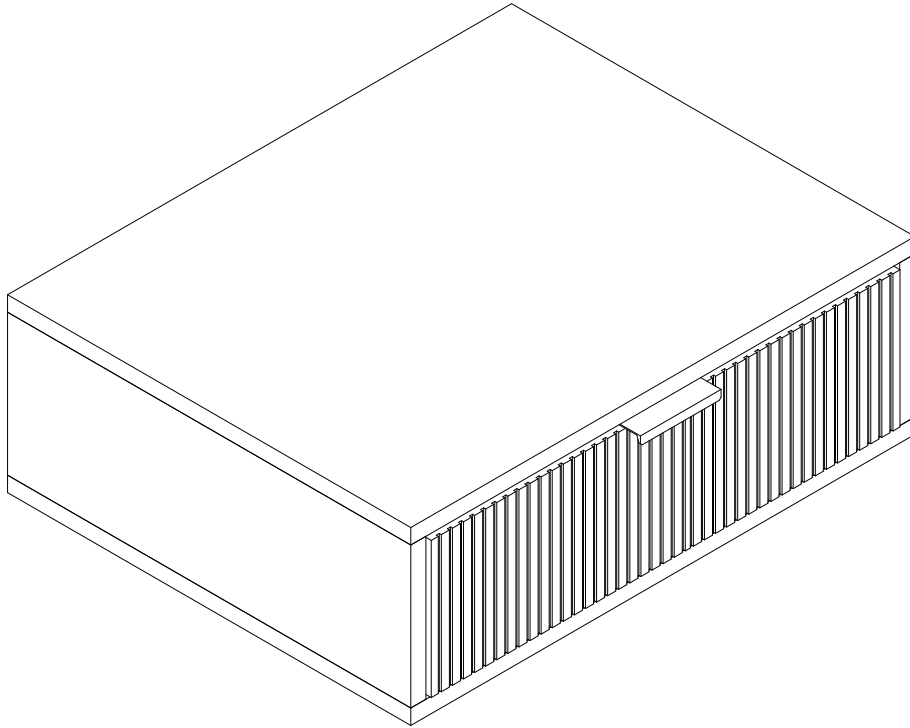
STEP 16



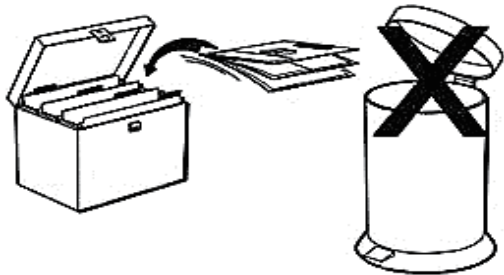
# SIENNA BEDSIDE TABLE ASSEMBLY INSTRUCTIONS

## Complete Assembly

Your SIENNA BEDSIDE TABLE is now completely assembled.  
Periodically check to ensure that the components are in their proper position and free from damage.



Keep instructions for future reference.



Supplied by : GFW THE FURNITURE  
WAREHOUSE  
Waterside Distribution Centre  
Waterside Business Park  
Johnson Road  
Lancashire  
BB3 3RT  
[www.gfwlimited.co.uk](http://www.gfwlimited.co.uk)

Represented by:  
Authorised Rep Compliance Ltd  
71 Lower Baggot Street  
Dublin  
D02 P593  
Ireland  
[www.arccompliance.com](http://www.arccompliance.com)