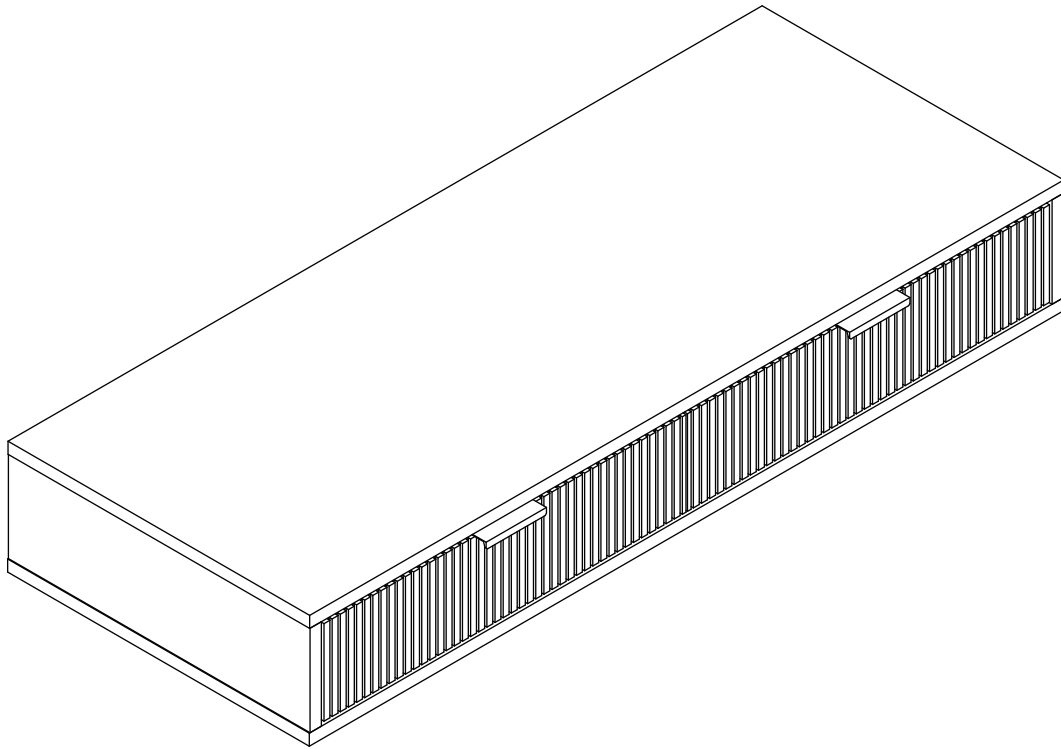


SIENNA DRESSING TABLE ASSEMBLY INSTRUCTIONS

Thank you for purchasing the SIENNA DRESSING TABLE.
Please read the instructions carefully to ensure safe operation of the product.



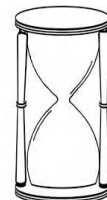
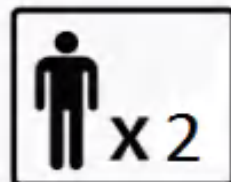
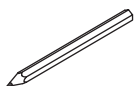
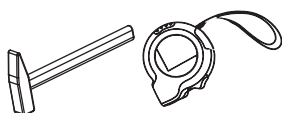
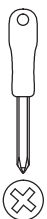
Size:W100xD40xH15cm

PLEASE READ this sheet prior to assembly to familiarise yourself with the various stages of construction.

Carefully open the pack supplied and check the contents against the parts and fittings check list. Do not destroy any of the packaging until you are certain that you have all the necessary parts for the assembly.

CAUTION: There are small components used in the construction of this unit. These loose items should be kept away from young children whilst assembling your unit to avoid the danger of choking hazards.

Tools Required



1 Hour
Set Up

SIENNA DRESSING TABLE ASSEMBLY INSTRUCTIONS

IMPORTANT - READ CAREFULLY - RETAIN THESE INSTRUCTIONS FOR FUTURE REFERENCE.

INFORMATION

Due to the size of this product we recommend that it is assembled in the room intended for use.
When you are ready to start, make sure that you have the right tools, plenty of space and a clean, dry area for assembly.
Unwrap all packaging materials and place the components on top of the carton box or on a clean floor to prevent it from scratching.
Check the pack and make sure you have all the parts listed.
Ensure that this product is fully assembled as illustrated before use.
Check all screws or bolts are tightened and inspect regularly
Keep small parts out of reach of children.
Tools not included.

WARNINGS

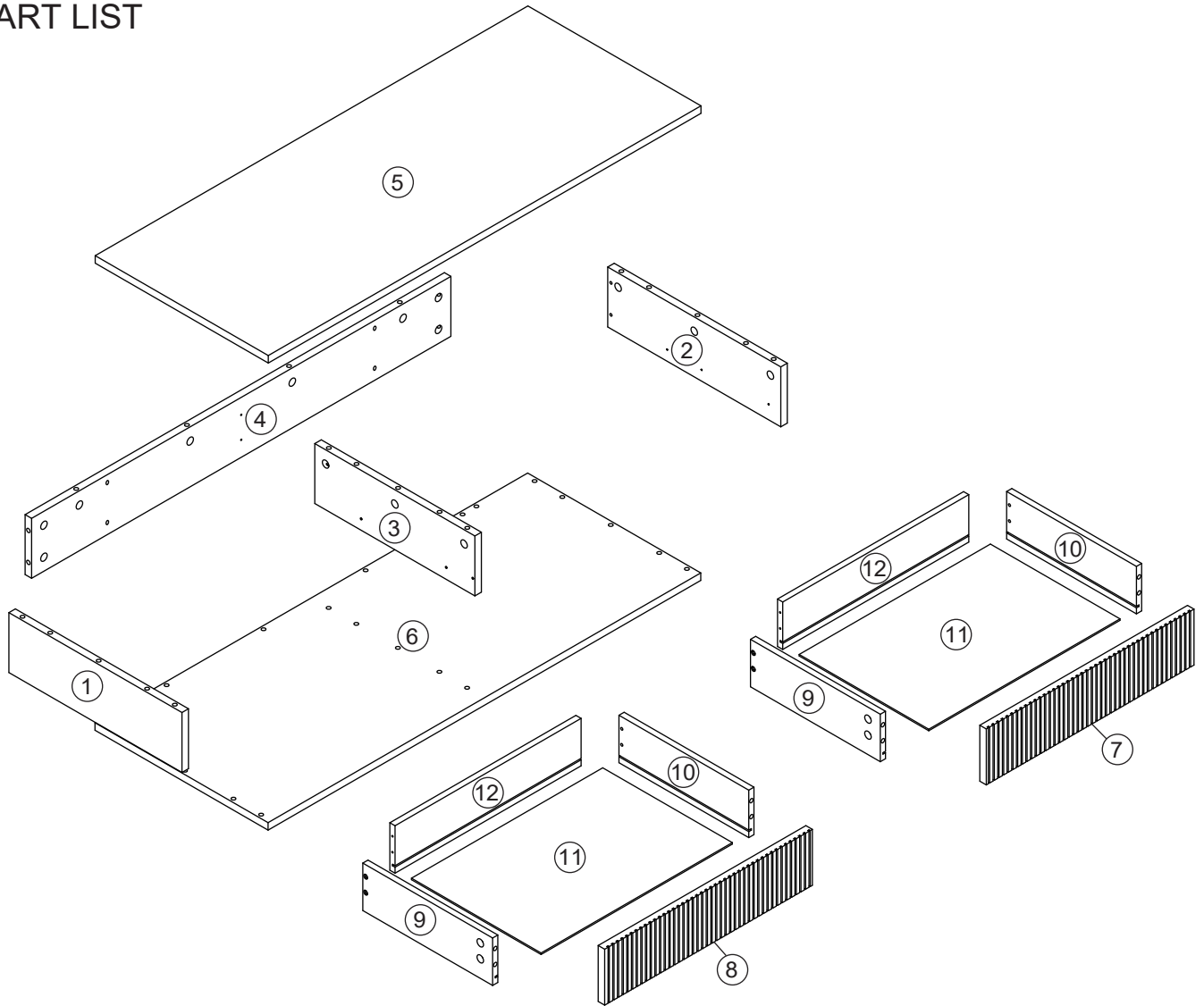
DO NOT use power tools to construct this product.
DO NOT use this product if parts are missing, damaged or worn.
DO NOT stand on the product.
DO NOT place very hot or very cold items on the surface unless adequately thick tablemats are used to prevent such items damaging your dresser top
This product should be fixed to the wall using the brackets and screws supplied.
Before installation, please ensure the suitability of the wall to ensure that it will support the weight of the dressing table and contents.

CARE INFORMATION

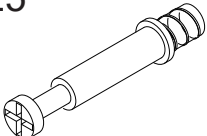
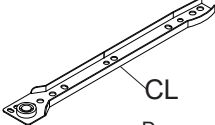
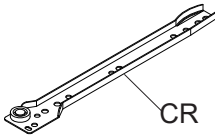
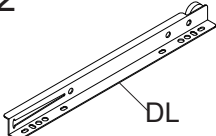
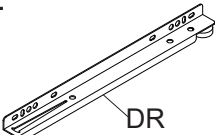
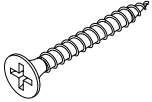
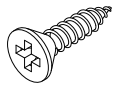


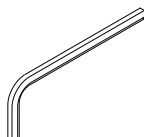
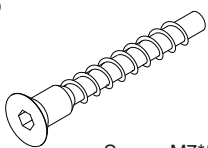
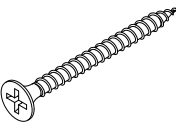
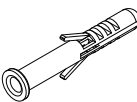
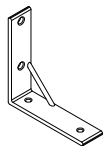
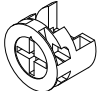
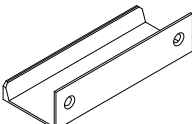
Never use scourers, abrasives or chemical cleaners.
To clean wipe with a sponge and warm soapy water. Do not use solvent based cleaners or detergents as they can bleach or damage the product.

SIENNA DRESSING TABLE ASSEMBLY INSTRUCTIONS

PART LIST



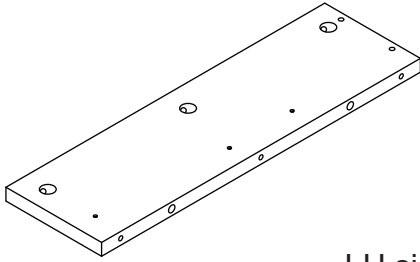
HARDWARE LIST

Ax25  Cam bolt M6*35mm	Bx2  CL Drawer slide	Cx2  CR Drawer slide	Dx2  DL Drawer slide
Ex2  DR Drawer slide	Fx10  Screw M4x30mm	Gx28  Screw M3.5x12mm	Hx4  Screw M6*15mm
Ix16  Wood Dowel	Jx1  Allen key	Kx13  Screw M7*50mm	Lx4  Screw M4x80mm
Mx4  Wall plug	Nx2  Bracket	Ox25  Cam bolt M15*10mm	Px2  Drawer handle

SIENNA DRESSING TABLE ASSEMBLY INSTRUCTIONS

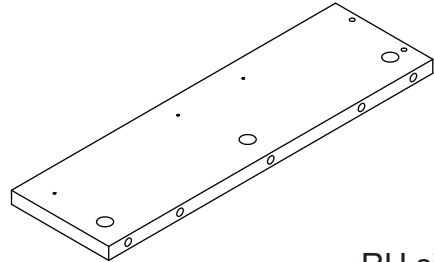
PART LIST

① x1



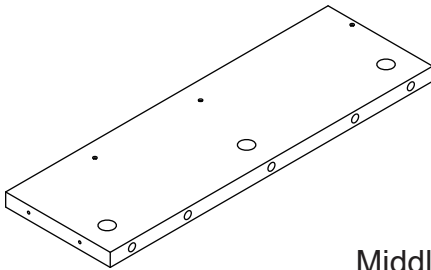
LH side panel

② x1



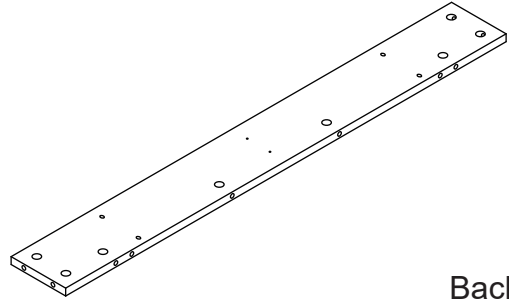
RH side panel

③ x1



Middle panel

④ x1



Back panel

⑤ x1

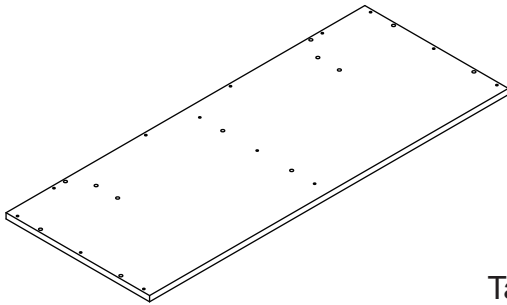
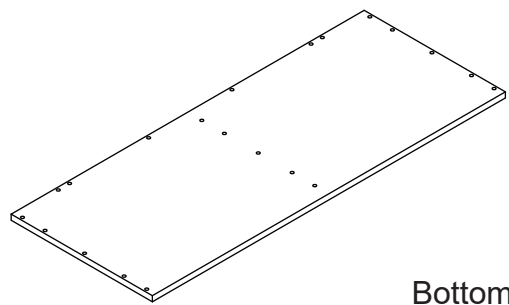


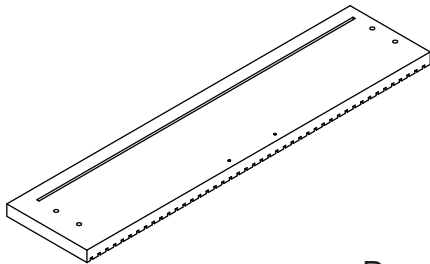
Table top

⑥ x1



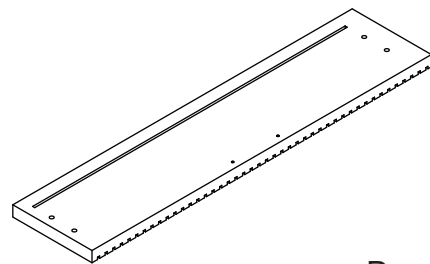
Bottom panel

⑦ x1



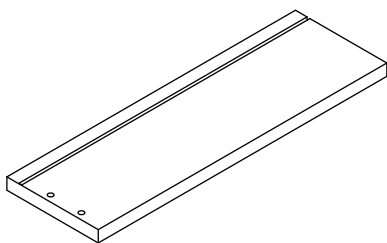
Drawer front

⑧ x1



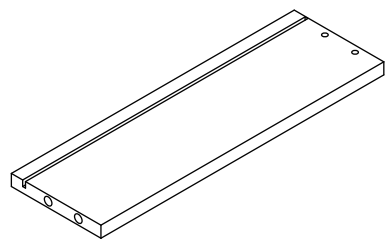
Drawer bottom

⑨ x2



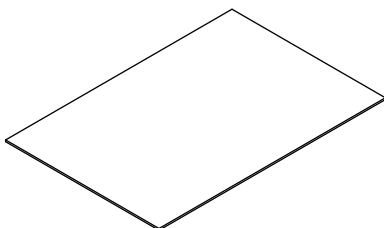
LH Drawer side

⑩ x2



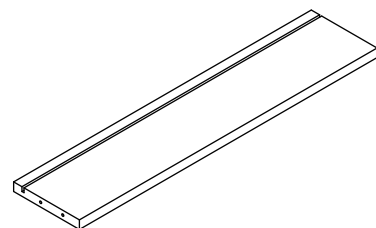
RH Drawer side

⑪ x2



Drawer bottom

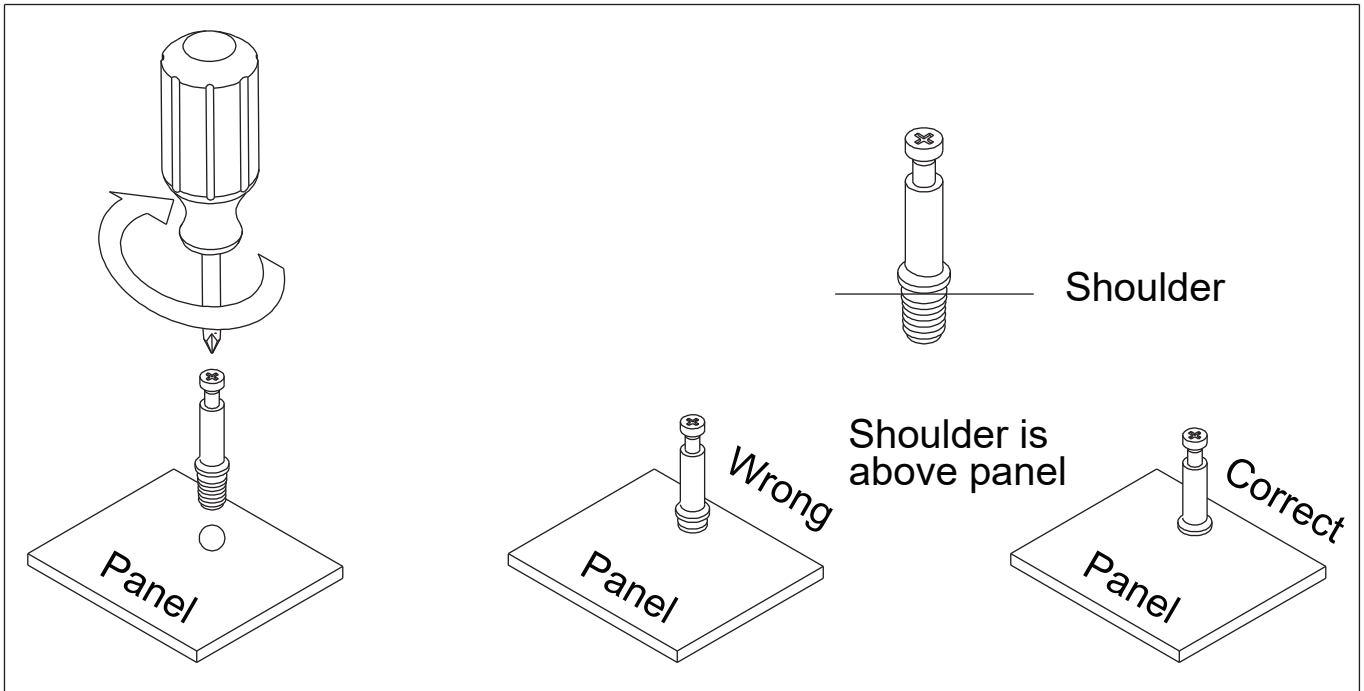
⑫ x2



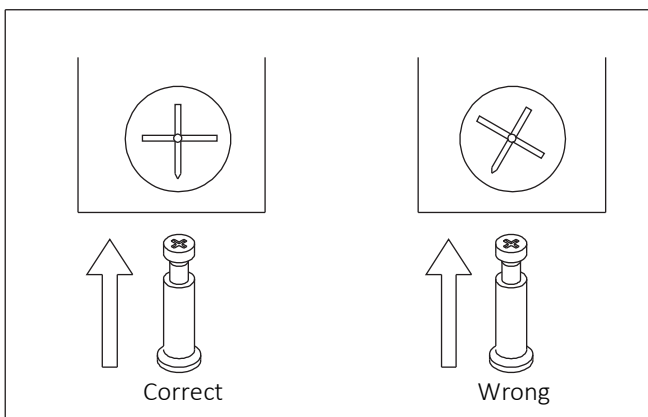
Drawer back

SIENNA DRESSING TABLE ASSEMBLY INSTRUCTIONS

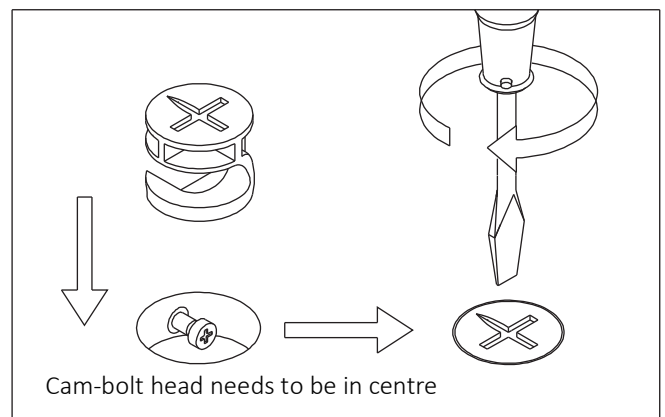
Instructions For Fastening CAM-BOLT AND CAM-LOCK



Attach the Cam-bolt to the specific pre-drilled holes on the panel. Use a Phillips Screwdriver to tighten Cam-bolt vertically until shoulder is flush (on the same level) with panel. Do not over-tighten or under-tighten.



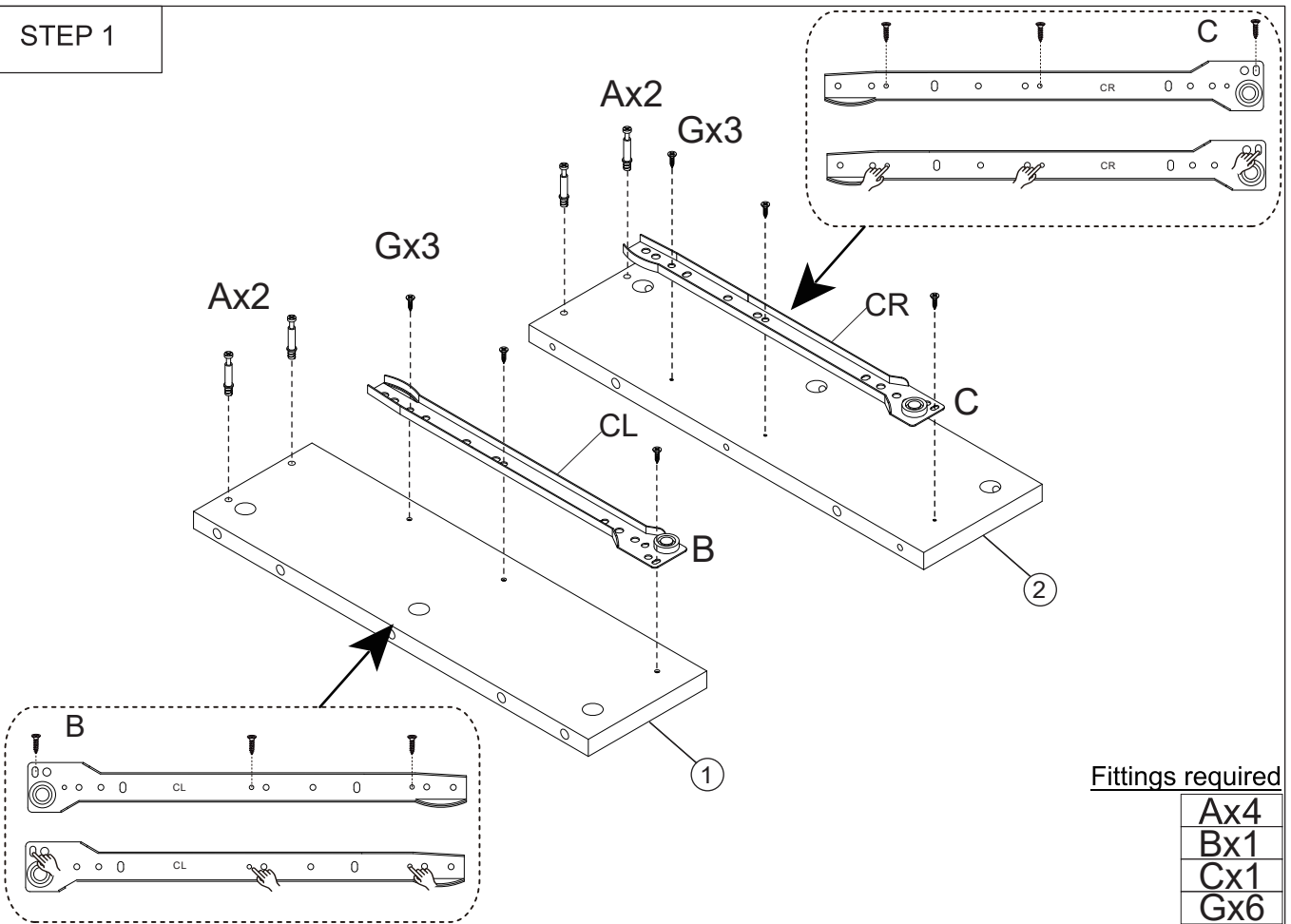
Align the arrow of the Cam-lock to the Cam-bolt head and insert the Cam-lock.



Use a Flat Screwdriver or Phillips Screwdriver to turn the Cam-lock clockwise one half a turn so it locks onto the head of the Cam-lock. Turn only until it is snug. Over-tightening could damage Cam-lock or/and Cam-bolt.

SIENNA DRESSING TABLE ASSEMBLY INSTRUCTIONS

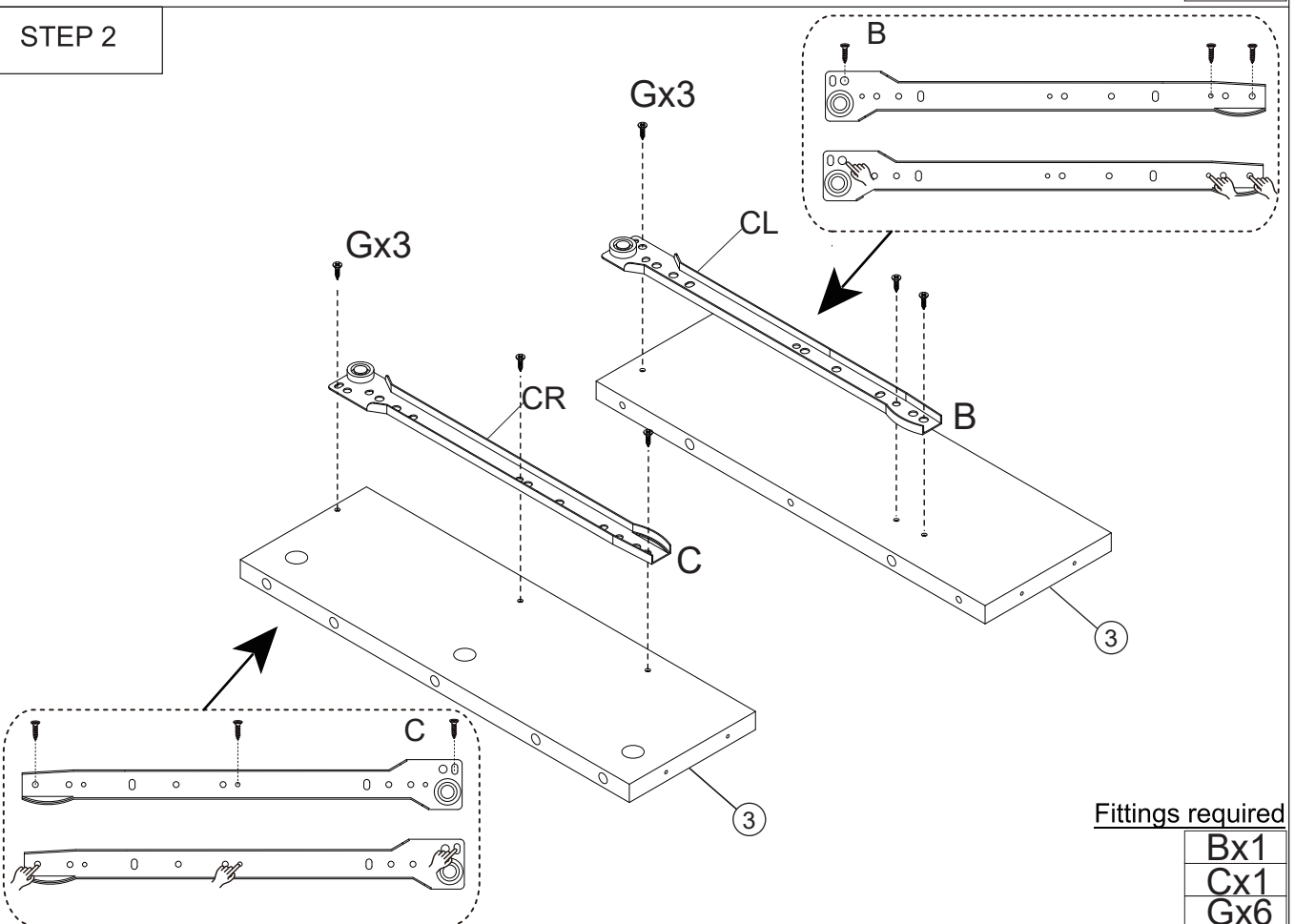
STEP 1



Fittings required

Ax4
Bx1
Cx1
Gx6

STEP 2

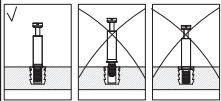
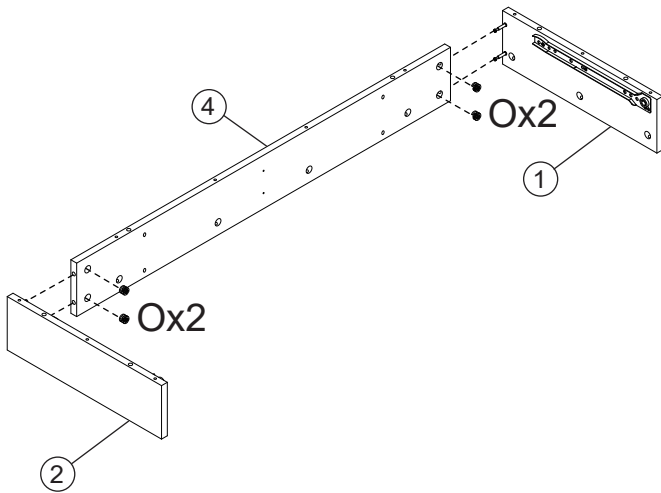


Fittings required

Bx1
Cx1
Gx6

SIENNA DRESSING TABLE ASSEMBLY INSTRUCTIONS

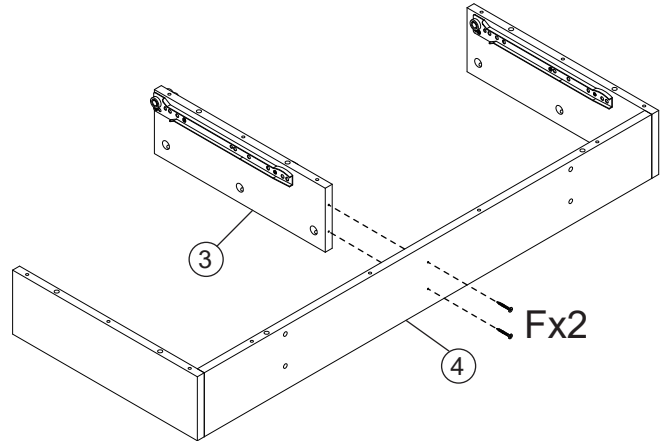
STEP 3



Fittings required

Ox4

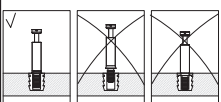
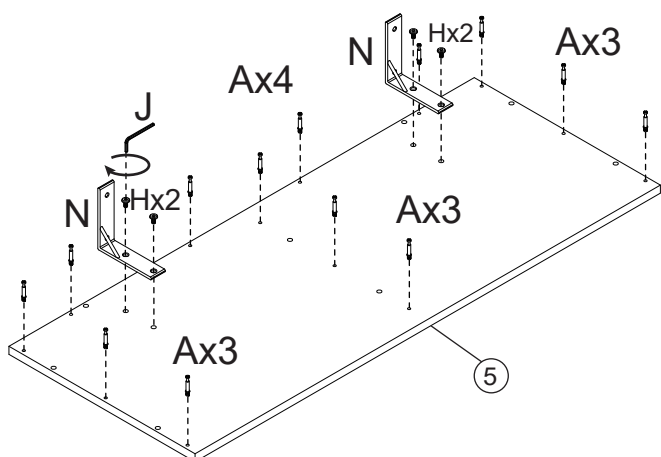
STEP 4



Fittings required

Fx2

STEP 5



Fittings required

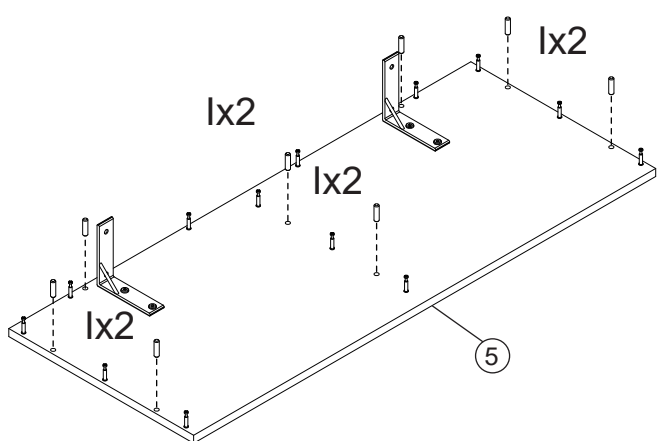
Ax13

Nx2

Hx4

Jx1

STEP 6

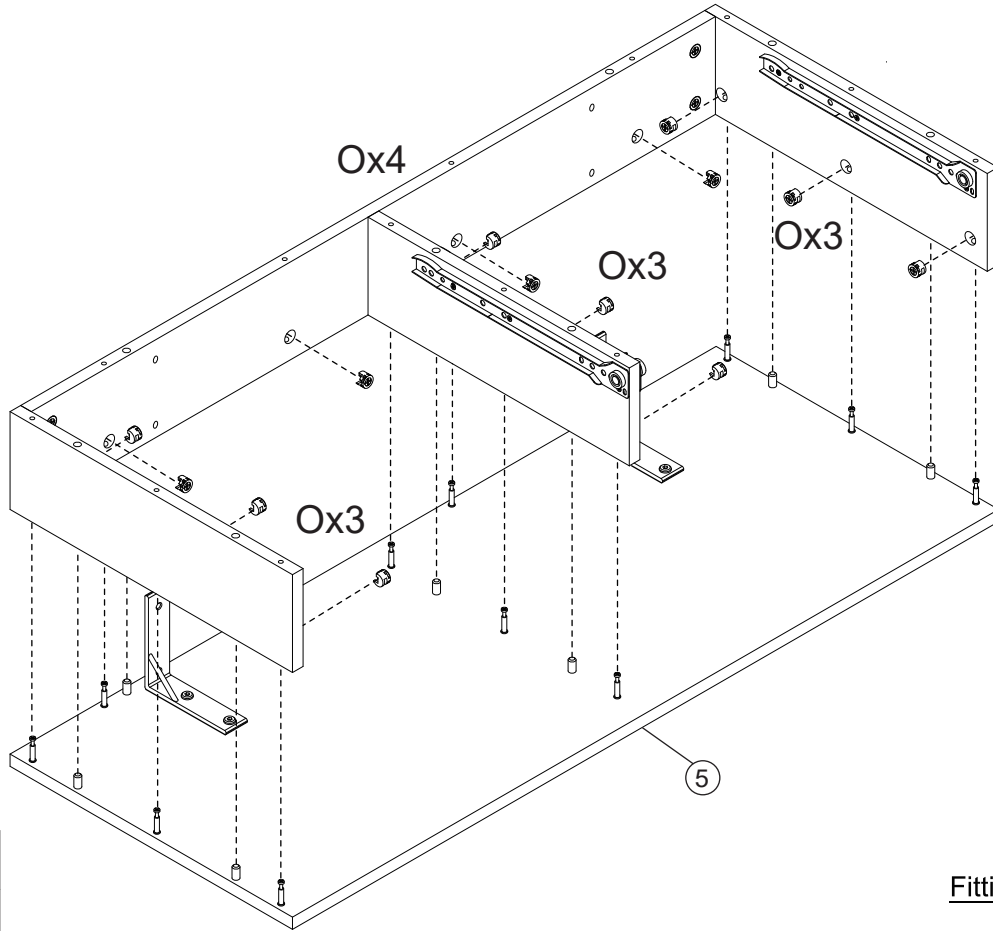


Fittings required

Ix8

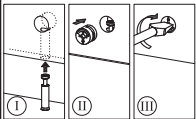
SIENNA DRESSING TABLE ASSEMBLY INSTRUCTIONS

STEP 7

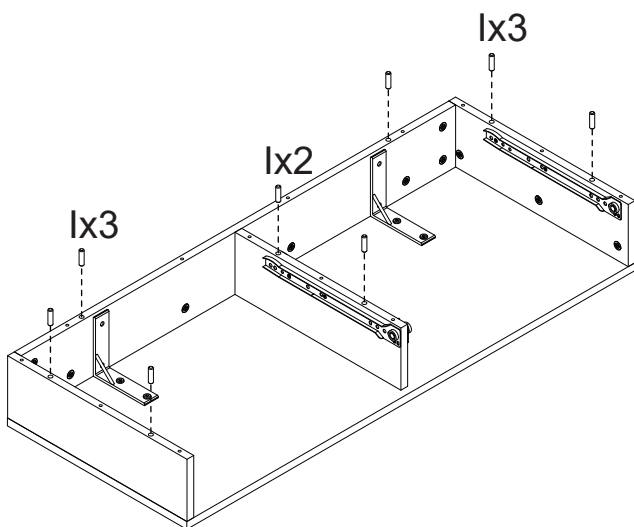


Fittings required

Ox13



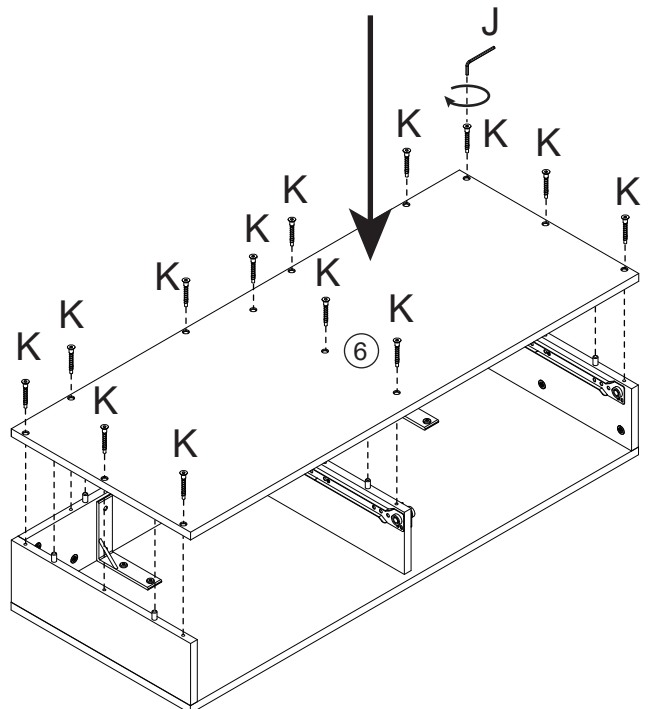
STEP 8



Fittings required

Ix8

STEP 9

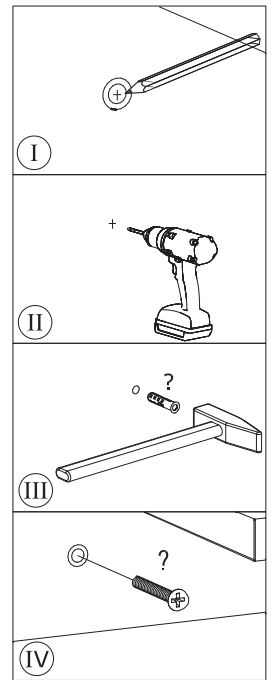
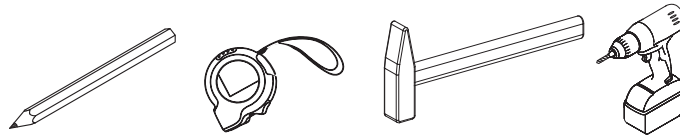


Fittings required

Jx1
Kx13

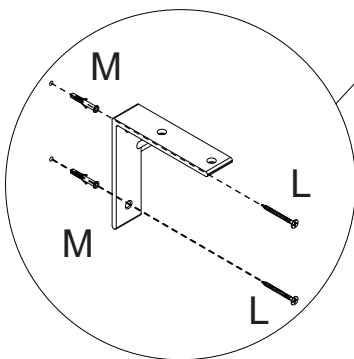
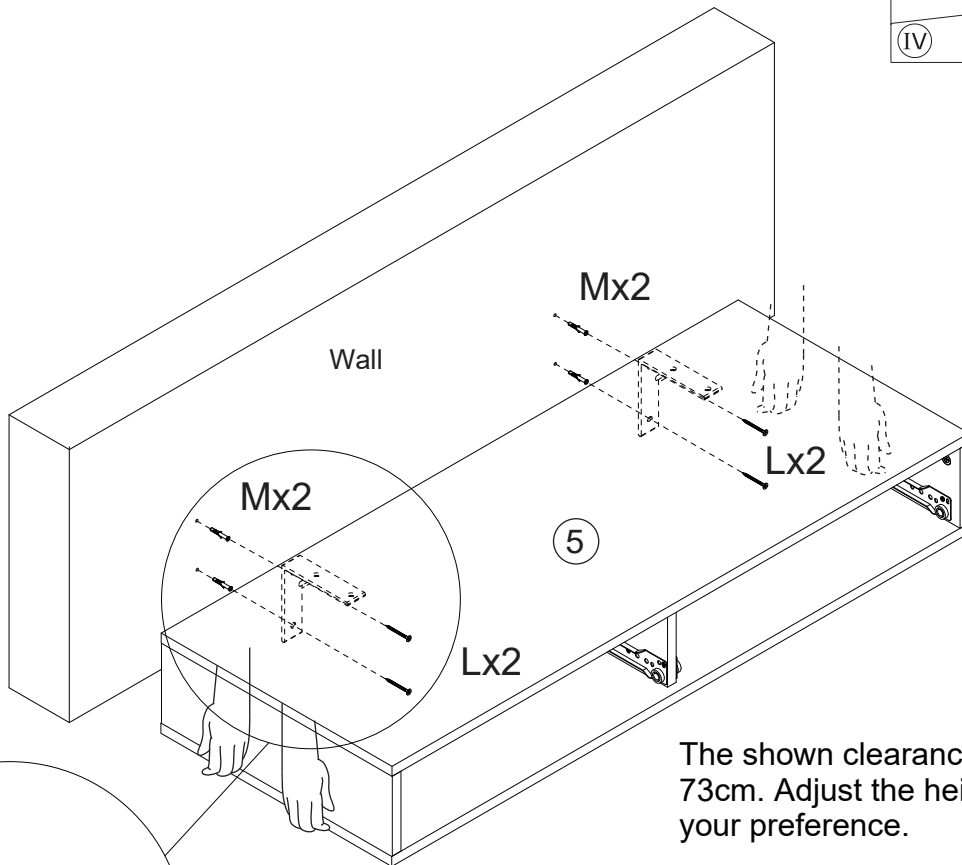
SIENNA DRESSING TABLE ASSEMBLY INSTRUCTIONS

STEP 10



Assembly note: This step requires two persons.
 Person A: Lift and support the cabinet.
 Person B: Install the screws.

WARNING This product should be fixed to the wall using the brackets and screws supplied. Before installation, please ensure the suitability of the wall to ensure that it will support the weight of the dressing table and contents.



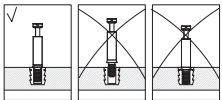
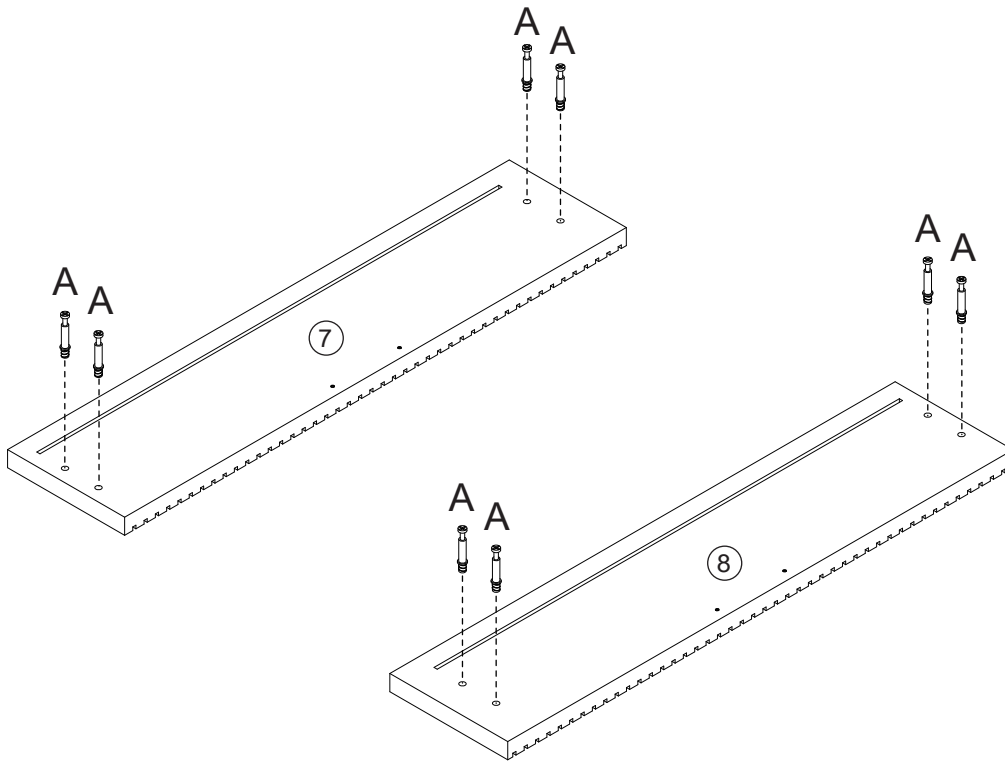
Position the dressing table against the wall that it will be fastened to and using a pencil, mark the position of the screw holes onto the wall. Drill where the holes have been marked and insert the wall plugs, ensuring the edge is flush with the surface of the wall.

Fittings required

Lx4
Mx4

SIENNA DRESSING TABLE ASSEMBLY INSTRUCTIONS

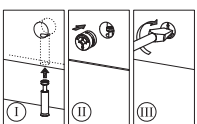
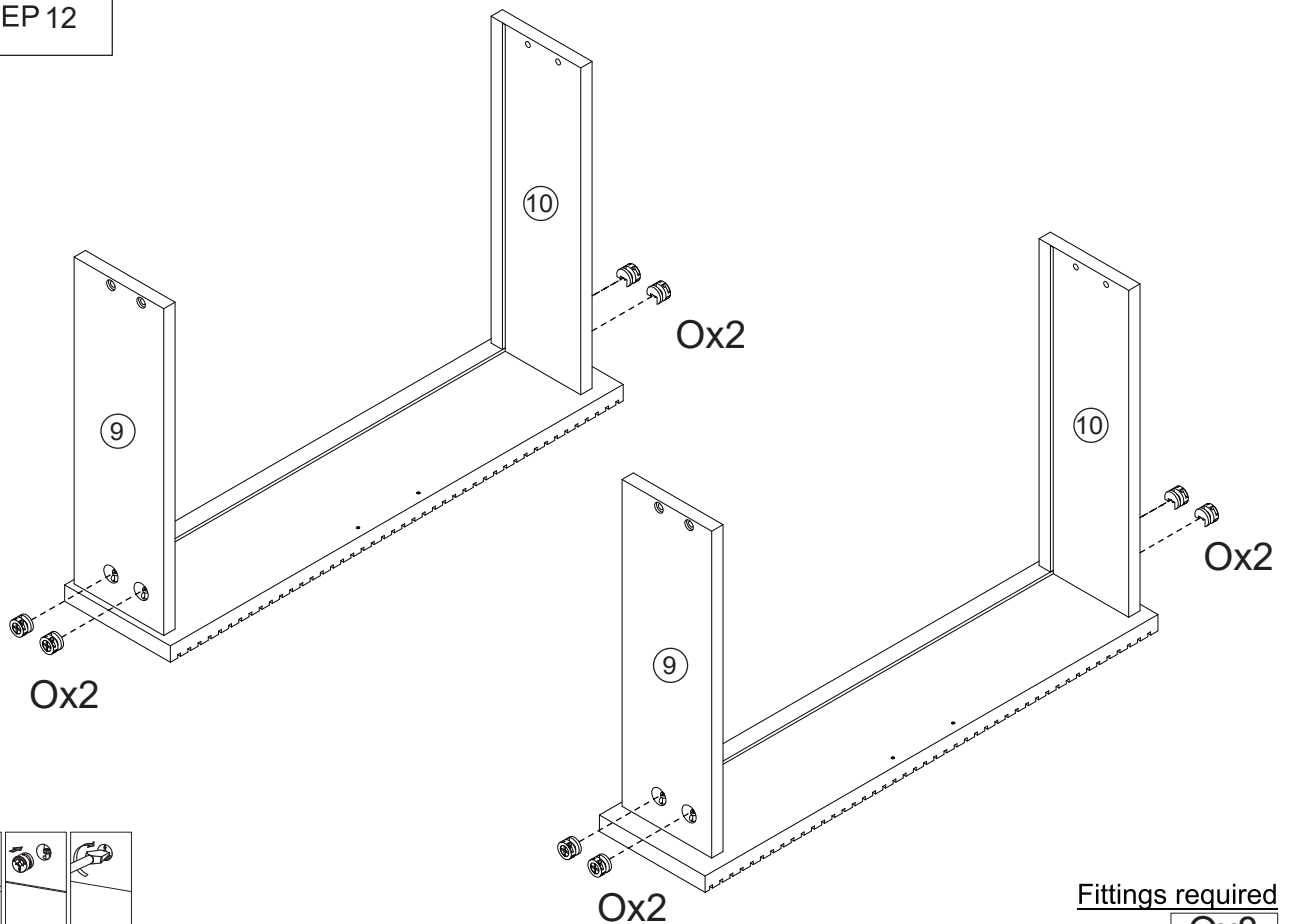
STEP 11



Fittings required

Ax8

STEP 12

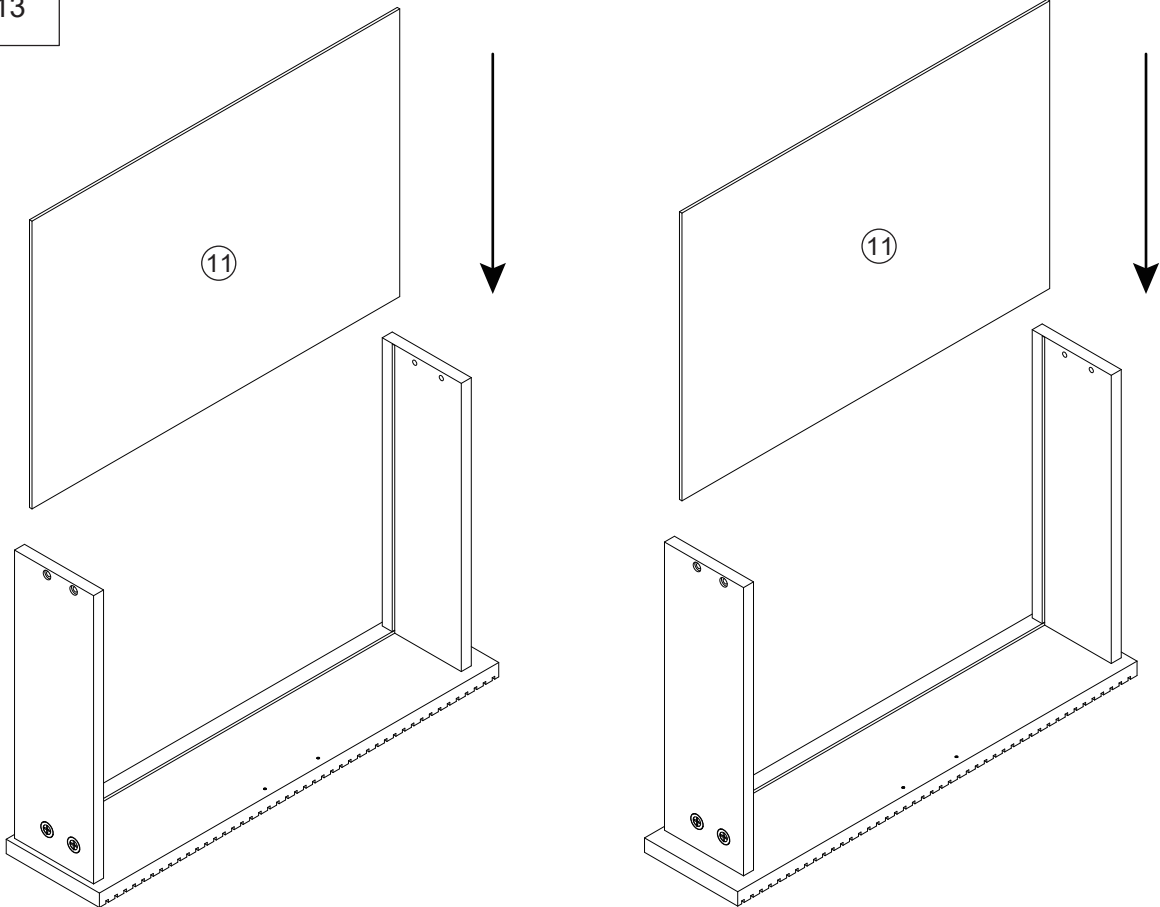


Fittings required

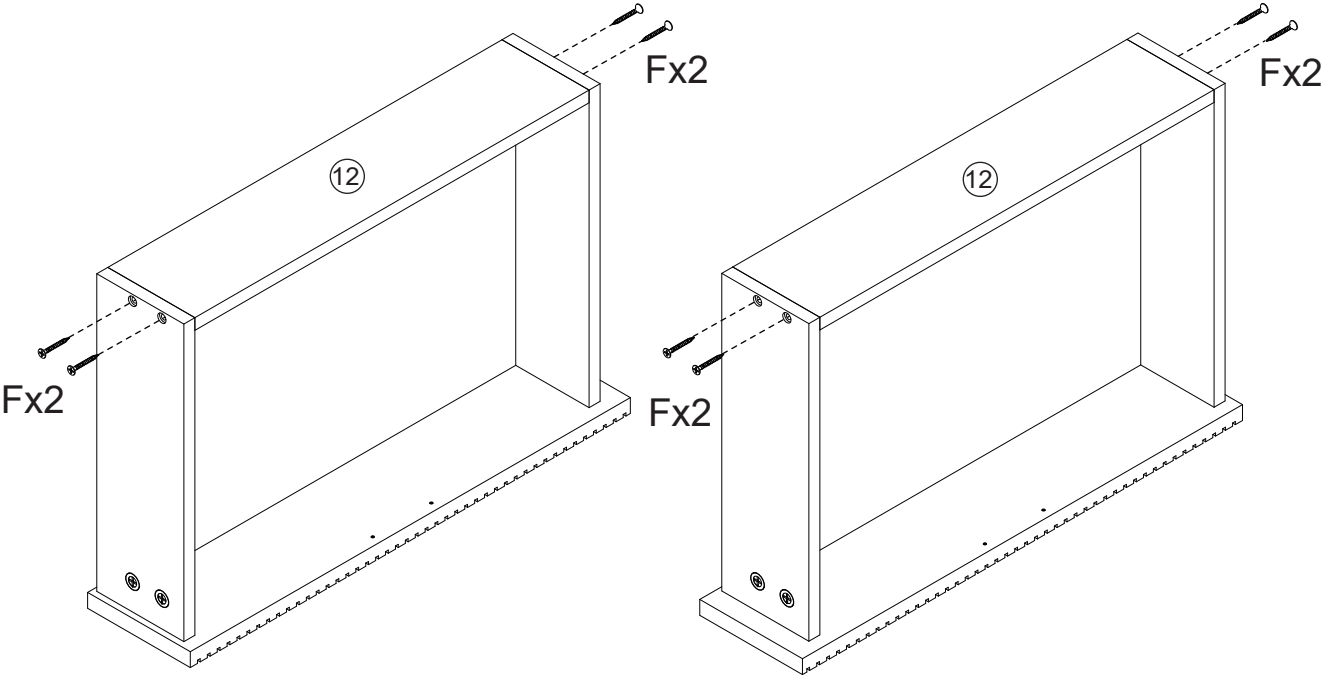
Ox8

SIENNA DRESSINGTABLE ASSEMBLY INSTRUCTIONS

STEP 13



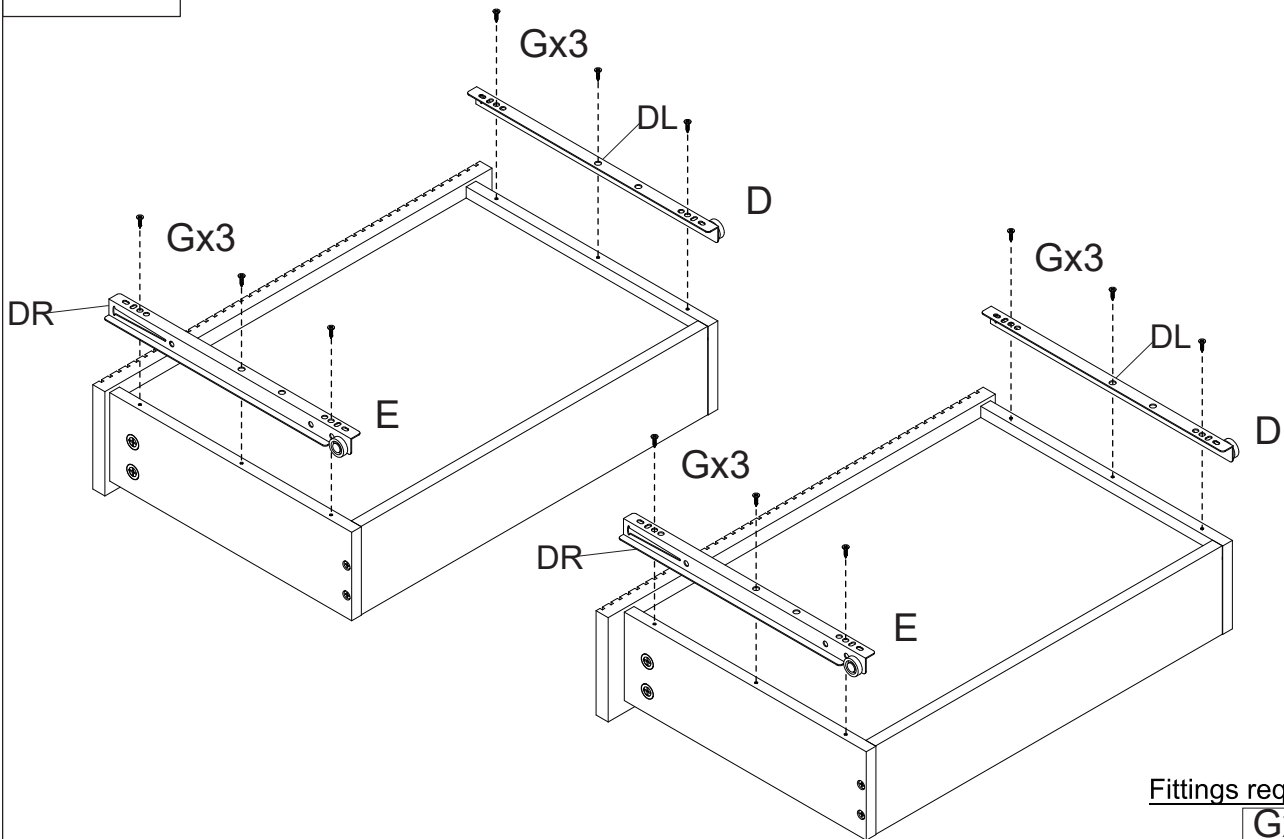
STEP 14



Fittings required
Fx8

SIENNA DRESSING TABLE ASSEMBLY INSTRUCTIONS

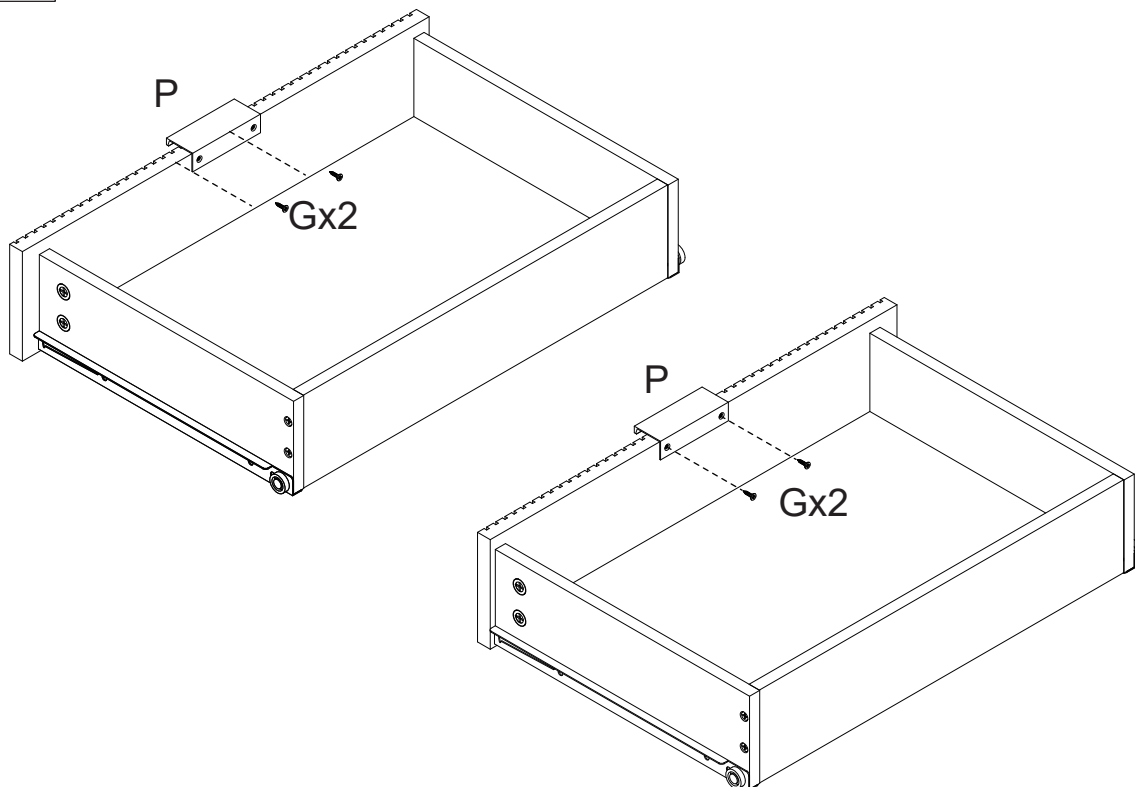
STEP 15



Fittings required

Gx12
Ex2
Dx2

STEP 16

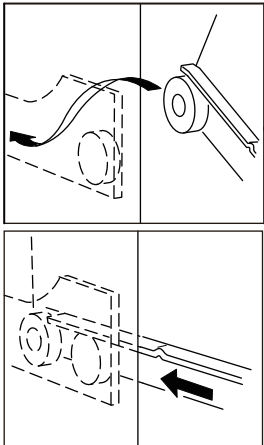
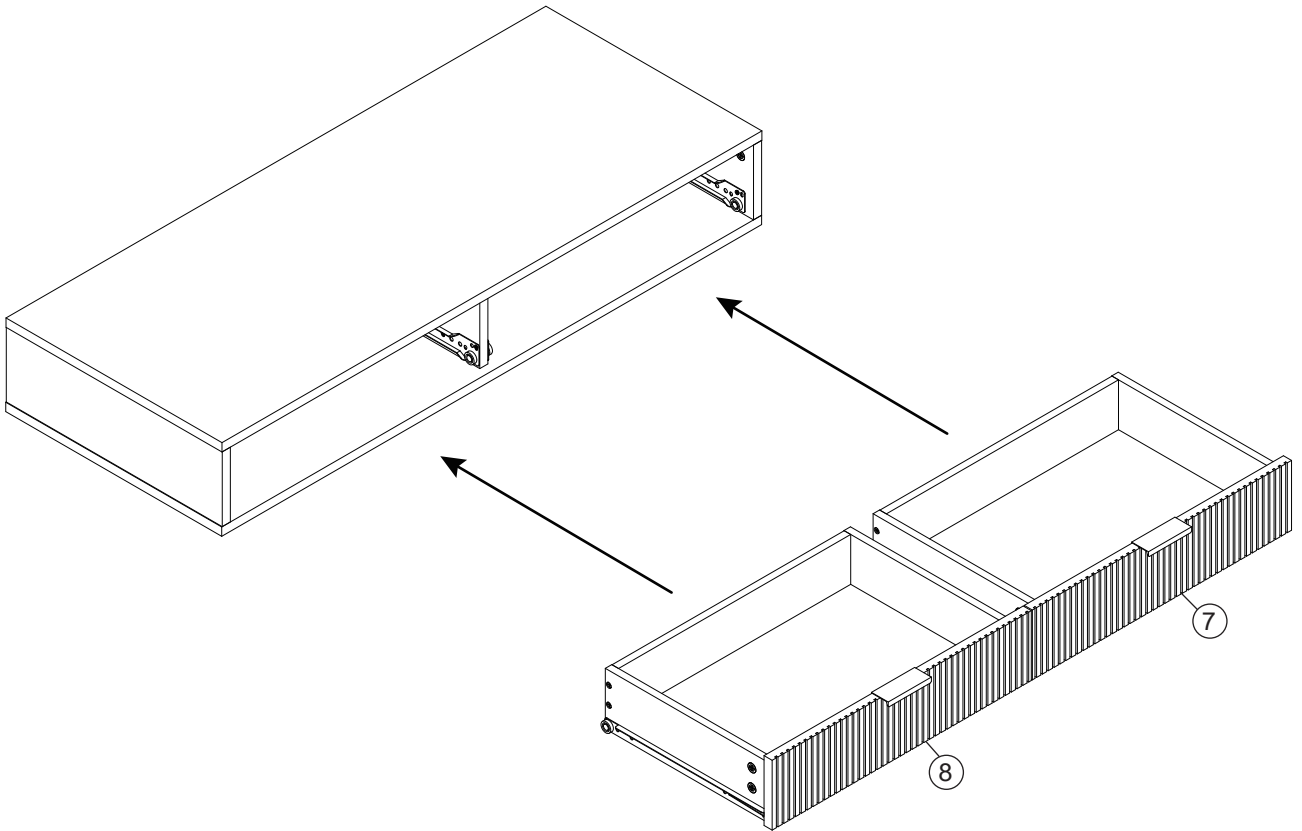


Fittings required

Gx4
Px2

SIENNA DRESSING TABLE ASSEMBLY INSTRUCTIONS

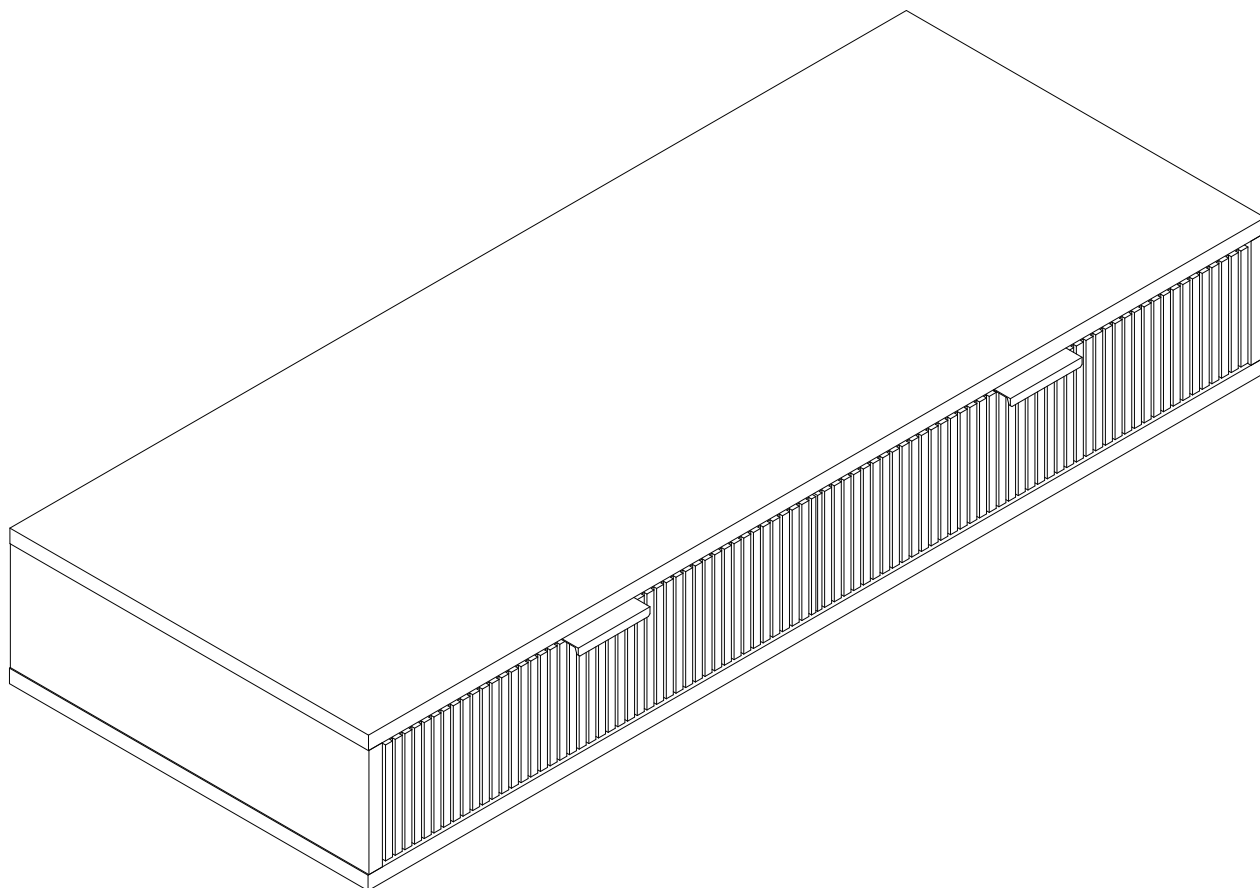
STEP 17



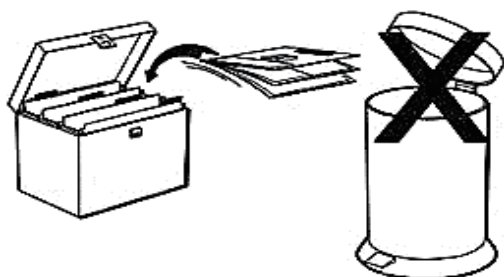
SIENNA DRESSING TABLE ASSEMBLY INSTRUCTIONS

Complete Assembly

Your SIENNA DRESSING TABLE is now completely assembled.
Periodically check to ensure that the components are in their proper position and free from damage.



Keep instructions for future reference.



Supplied by : GFW THE FURNITURE
WAREHOUSE
Waterside Distribution Centre
Waterside Business Park
Johnson Road
Lancashire
BB3 3RT
www.gfwlimited.co.uk

Represented by:
Authorised Rep Compliance Ltd 71
Lower Baggot Street
Dublin
D02 P593
Ireland
www.arccompliance.com