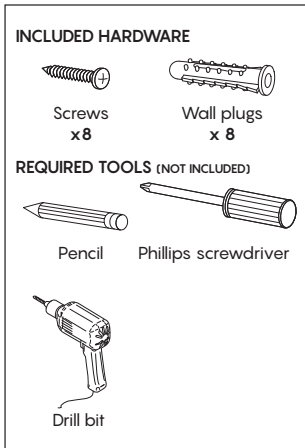


IMPORTANT

- In order to achieve the specified weight capacity, this product must be fixed to the internal wall stud or a solid framing structure.
- The included fixings are for use with solid walls only. It is the installer's responsibility to ensure that the correct fixings are used to suit the wall type and that the product is mounted to a structure capable of supporting the specified weight capacity.
- This item is suitable for indoor use only.
- This grab rail provides support for an individual weighing up to 250 kg. This grab rail is designed to provide ASSISTANCE ONLY and is NOT designed to support the total weight of an individual.
- Small children or users with limited physical capabilities should be supervised and/or assisted in the bathrooms, wet rooms or toilet areas at all times when using grab rail.
- Ensure grab rail is installed correctly. DO NOT USE grab rail if not installed correctly.
- DO NOT install grab rail into walls that have been exposed to water damage or decay.
- BEFORE drilling, be sure to locate plumbing, electrical or other obstructions like beads of adhesive or ribbing.
- BEFORE use, ensure the grab rail is fully secured to the wall correctly, all hardware is fully tightened and can support the load.
- For ease of installation there are more fixing holes than the number of screws included with the grab rail. This allows for varying fixing points if free access to the rail is restricted. Please ensure that 4 fixing points are used at each end of the grab rail when installing.

INSTALLATION

1. Slide the flange covers off to expose the brackets. Position the grab rail into the desired location, then mark around the two fixing brackets.
2. Unscrew the brackets to disconnect them from the grab rail.
3. Using the previous marks as a guide, position the brackets onto the wall and mark the drilling holes. Using an appropriate drill bit (i.e. masonry bit for tiles), drill holes to suit the wall plugs. Line up the brackets with the drilled holes and install the screws.
4. Reattach the grab rail to the brackets by tightening the brass nut with the included C-spanner. Note—you may need to use a soft rubber mallet if alignment is slightly out. Slide the flange covers over the brackets.



CARE AND MAINTENANCE

- Clean with a soft cloth and warm soapy water.
- Do not use harsh detergents, corrosive chemicals, or abrasive cleaners.

GLOBAL DISTRIBUTORS:

AU Evekare Pty Ltd
Unit 15, 3 Box Road, Caringbah
NSW 2229, Australia
e. warranty@evekare.com.au
p. +61 2 9524 4515

UK Hardware Lane Distributors Ltd
Studio CG, 320 Witan Studios
Witan Gate West
Central Milton Keynes MK9 1EJ
England, United Kingdom
e. hld.sales@hardwarelane.co.uk
p. +44 01908 104 608

US Asia International Trading
Company Limited
1032 E Brandon BLVD
#1904 Brandon, FL 33511, USA
CA e. assistant@asiaintltrading.com
MX p. +1 813-679-6640

NZ ACM Pty Ltd
47 Stonedon Drive, East Tamaki,
Auckland 2013, New Zealand
e. info@acmptyltd.com
p. 0800 744 794