

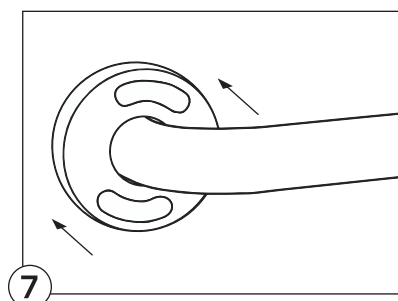
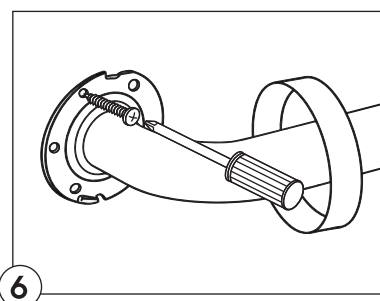
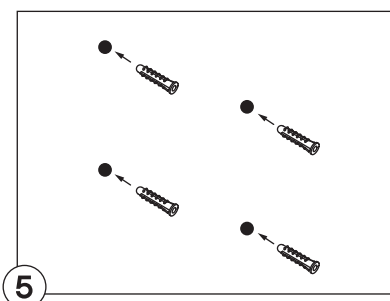
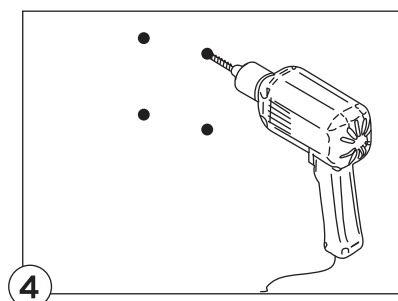
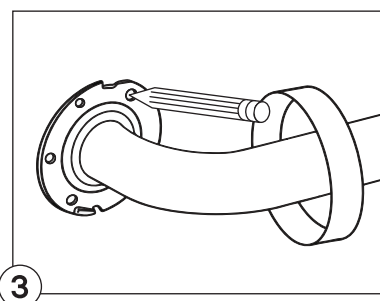
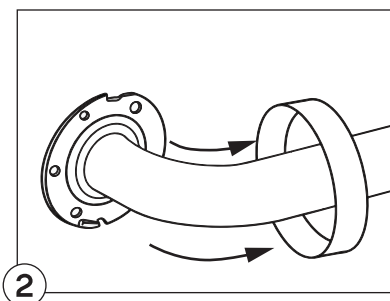
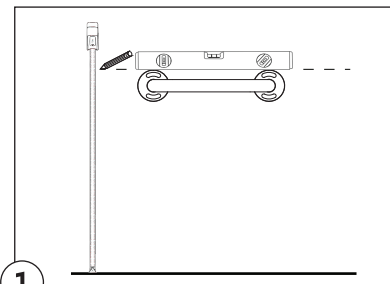
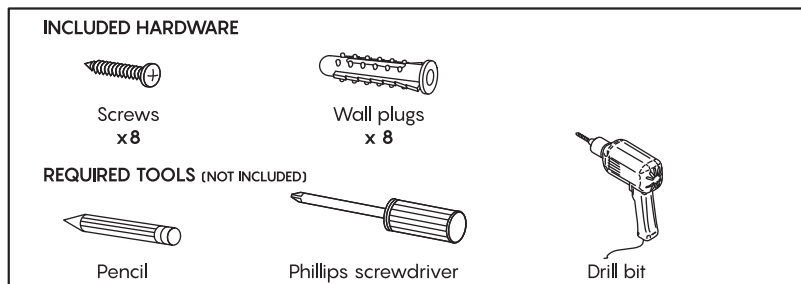
INSTALLATION GUIDE LED GRAB RAIL

IMPORTANT

- In order to achieve the specified weight capacity, this product must be fixed to the internal wall stud or a solid framing structure.
- The included fixings are for use with solid walls only. It is the installer's responsibility to ensure that the correct fixings are used to suit the wall type and that the product is mounted to a structure capable of supporting the specified weight capacity.
- This item is suitable for indoor use only.
- This grab bar provides support for an individual weighing up to 110 kg. This grab bar is designed to provide ASSISTANCE ONLY and is NOT designed to support the total weight of an individual.
- Small children or users with limited physical capabilities should be supervised and/or assisted in the bathrooms, wet rooms or toilet areas at all times when using grab bars.
- Ensure grab bar is installed correctly. DO NOT USE grab bar if not installed correctly.
- DO NOT install grab bar into walls that have been exposed to water damage or decay.
- BEFORE drilling, be sure to locate plumbing, electrical or other obstructions like beads of adhesive or ribbing.
- BEFORE use, ensure the grab bar is fully secured to the wall correctly, all hardware is fully tightened and can support the load.
- For ease of installation there are more fixing holes than the number of screws included with the grab rail. This allows for varying fixing points if free access to the rail is restricted. Please ensure that 4 fixing points are used at each end of the grab rail when installing.

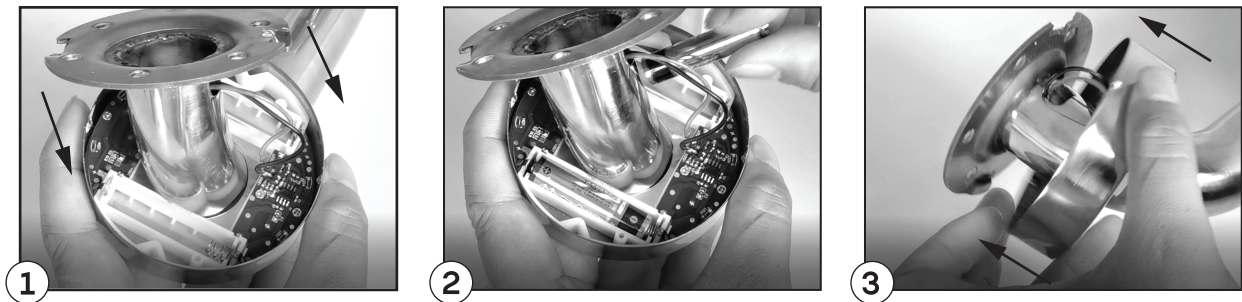
INSTALLATION

1. Determine the desired location and orientation of the grab bar on the wall. If mounting horizontally or vertically, use a level.
2. Slide the flange covers off to expose the bracket holes. Be careful not to damage wires.
3. Place the grab bar in the desired position and mark the holes for drilling. Check with a level.
4. Using an appropriate drill bit (i.e. masonry bit for tiles), drill holes to suit the wall plugs. For other wall types, use suitable fitting that can bear the load for that wall type.
5. Insert wall plugs.
6. Line up the grab bar with the drilled holes and install the screws. Be careful not to damage wires.
7. Slide the flange covers over the brackets. Be careful not to damage wires.



BATTERY INSTALLATION

1. Carefully slide the flange covers off to expose the battery compartment. Be careful not to damage wires.
2. Insert two AAA batteries into the compartment, with the negative terminals of both batteries facing the LED side (as shown).
3. Reinstall the flange cover and slide the flange covers back over the brackets. Twist and engage flange covers to secure to grab bar. Be careful not to damage wires.



CARE AND MAINTENANCE

Clean with a soft cloth and warm soapy water. Do not use harsh detergents, corrosive chemicals, or abrasive cleaners.

NOTES

This product is manufactured to comply with the following national standards: EN IEC 55015:2019/A11:2020, EN 61547:2009

1.RoHS Directive RoHS Directive 2011/65/EU Annex II amending Annex (EU)2015/863



BATTERY DISPOSAL

Batteries and electrical equipment should not be disposed of with household waste. Wherever possible, they should be segregated and brought to an appropriate collection point to enable recycling and avoid potential impacts on the environment and human health. For more information, contact your local waste management authority.

GLOBAL DISTRIBUTORS:

AU **Evekare Pty Ltd**
Unit 15, 3 Box Road, Caringbah
NSW 2229, Australia
e. warranty@evokare.com.au
p. +61 2 9524 4515

NZ **ACM Pty Ltd**
47 Stonedon Drive, East Tamaki,
Auckland 2013, New Zealand
e. info@acmptyltd.com
p. 0800 744 794

UK **Hardware Lane Distributors Ltd**
Studio CG, 320 Witan Studios
Witan Gate West
Central Milton Keynes MK9 1EJ
England, United Kingdom
e. hld.sales@hardwarelane.co.uk
p. +44 01908 104 608

US **Asia International Trading
Company Limited**
1032 E Brandon BLVD
#1904 Brandon, FL 33511, USA
CA
MX e. assistant@asiaintltrading.com
p. +1 813-679-6640