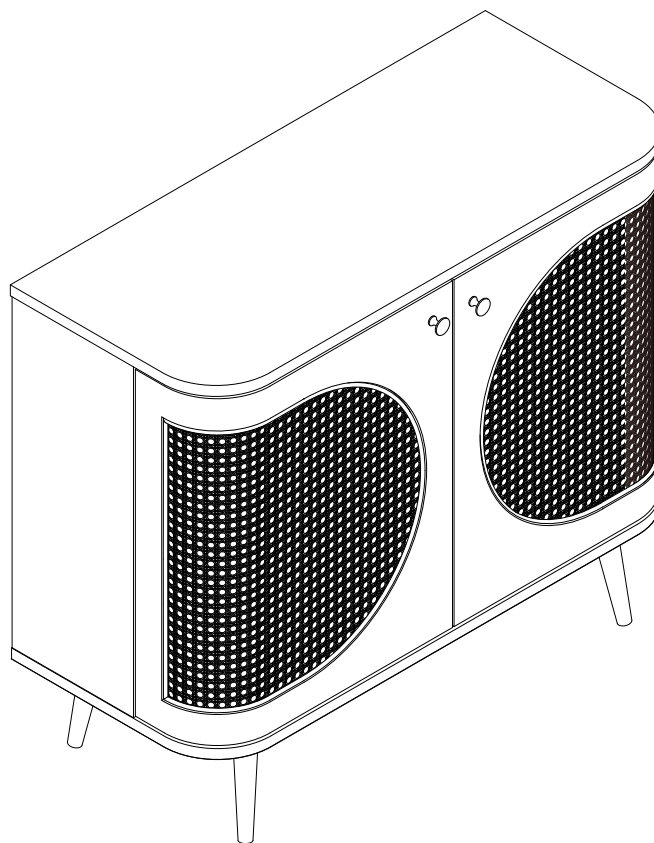


SORREL RATTAN COMPACT SIDEBOARD ASSEMBLY INSTRUCTIONS

Thank you for purchasing the SORREL RATTAN COMPACT SIDEBOARD
Please read the instructions carefully to ensure safe operation of this product.



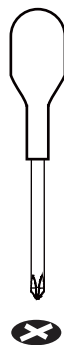
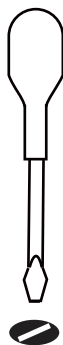
Size:90.3x39x78.5cm

PLEASE READ this sheet prior to assembly to familiarise yourself with the various stages of construction.

Carefully open the pack supplied and check the contents against the parts and fittings check list. Do not destroy any of the packaging until you are certain that you have all the necessary parts for the assembly.

CAUTION: There are small components used in the construction of this unit. These loose items should be kept away from young children whilst assembling your unit to avoid the danger of choking.

Tools Required



Number of people



2 Hour
Set Up

SORREL RATTAN COMPACT SIDEBOARD ASSEMBLY INSTRUCTIONS

IMPORTANT - READ CAREFULLY - RETAIN THESE INSTRUCTIONS FOR FUTURE REFERENCE.

INFORMATION

- This product is designed to hold 30Kg spread evenly over the whole unit.
- Do not exceed this weight.
- We recommend that this unit is assembled in the room intended for use.
- When you are ready to start, make sure that you have the right tools, plenty of space and a clean, dry area for assembly.
- Unwrap all packaging materials and place the components on top of the carton box or on a clean floor to prevent any accidental scratching.
- Check the pack and make sure you have all the parts listed.
- Ensure that this product is fully assembled as illustrated before use.
- Check all screws or bolts are tightened and inspect regularly
- Tools not included unless specified in parts list.

WARNINGS

- This product should only be used on a firm and level floor.
- Keep small parts out of reach of children.
- Make sure the legs remain in contact with the floor.
- DO NOT use power tools to construct this product.
- DO NOT over-tighten screws or bolts.
- DO NOT use this product if parts are missing, damaged or worn.
- DO NOT sit or stand on the product.
- DO NOT place hot or Warm objects on the surface as these may damage the Product .
Always use a suitable heat resistant mat.

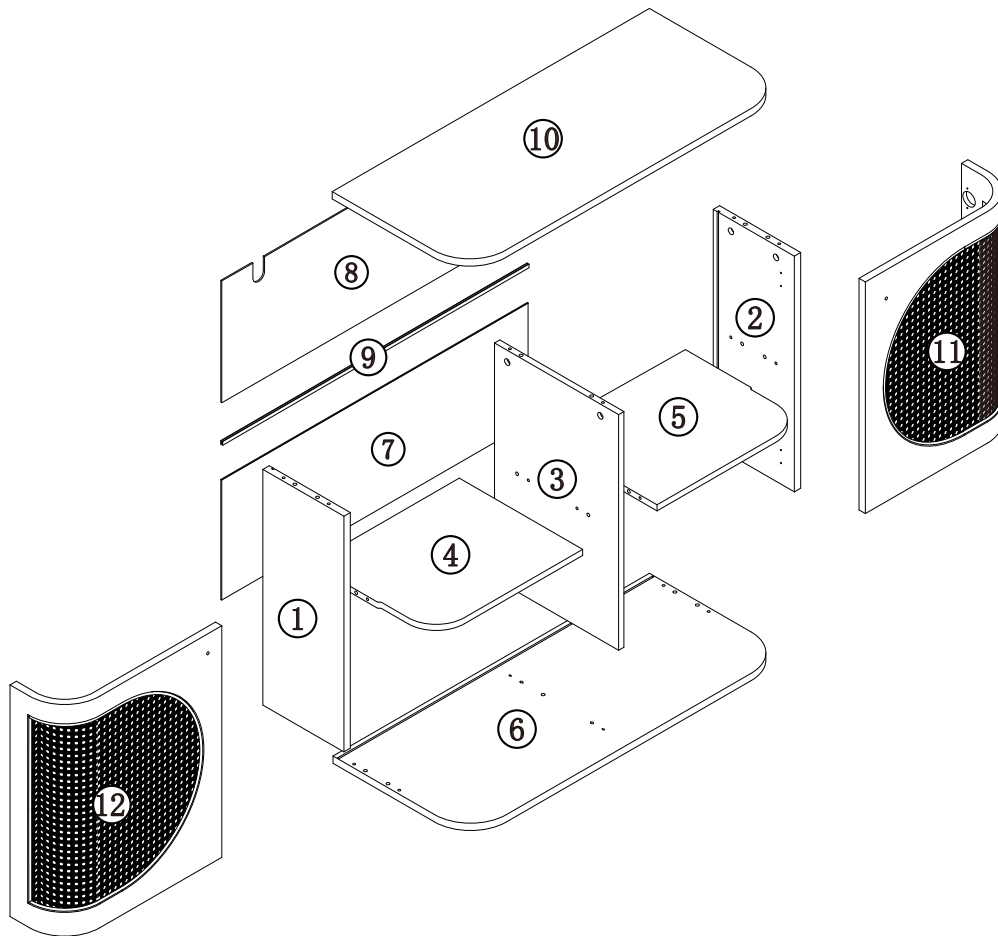
CARE INFORMATION

- Never use scourers, abrasives or chemical cleaners.
- To clean, wipe with a damp sponge and warm soapy water.
- Do not use solvent based cleaners or detergents as they can bleach or damage the product.

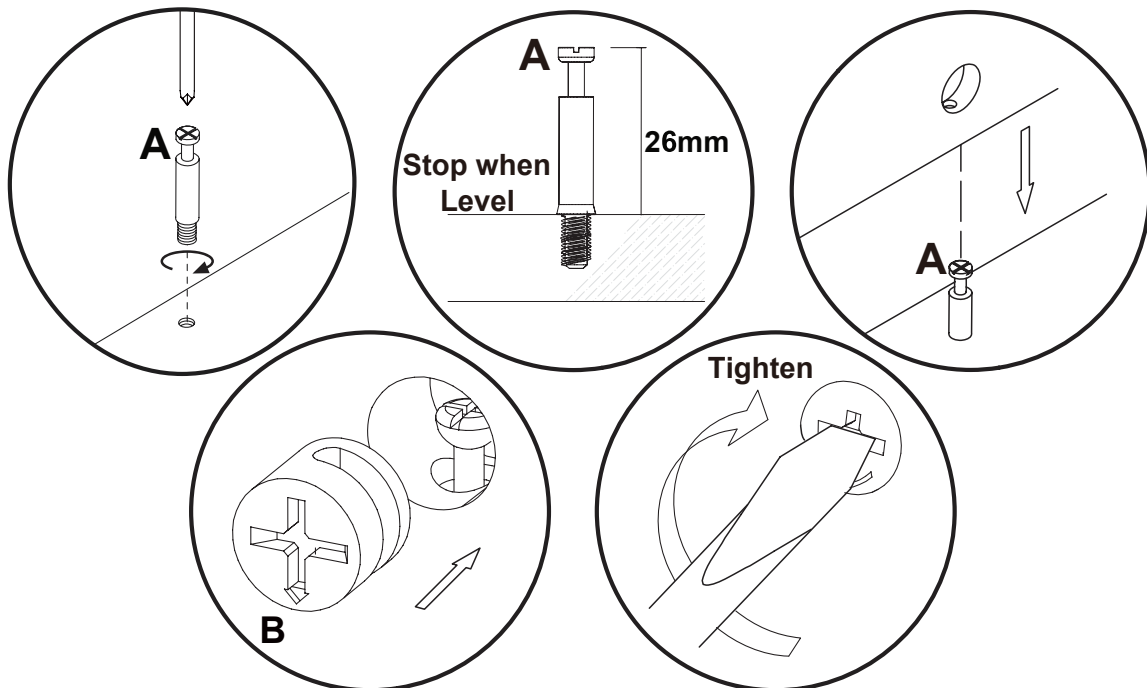
Parts and Fittings Checklist

Please check the pack contents before assembling the product. If any components are missing, please contact your retailer.

The fittings pack contains small items that should be kept away from children.



General Hints & Tips



SORREL RATTAN COMPACT SIDEBORD ASSEMBLY INSTRUCTIONS

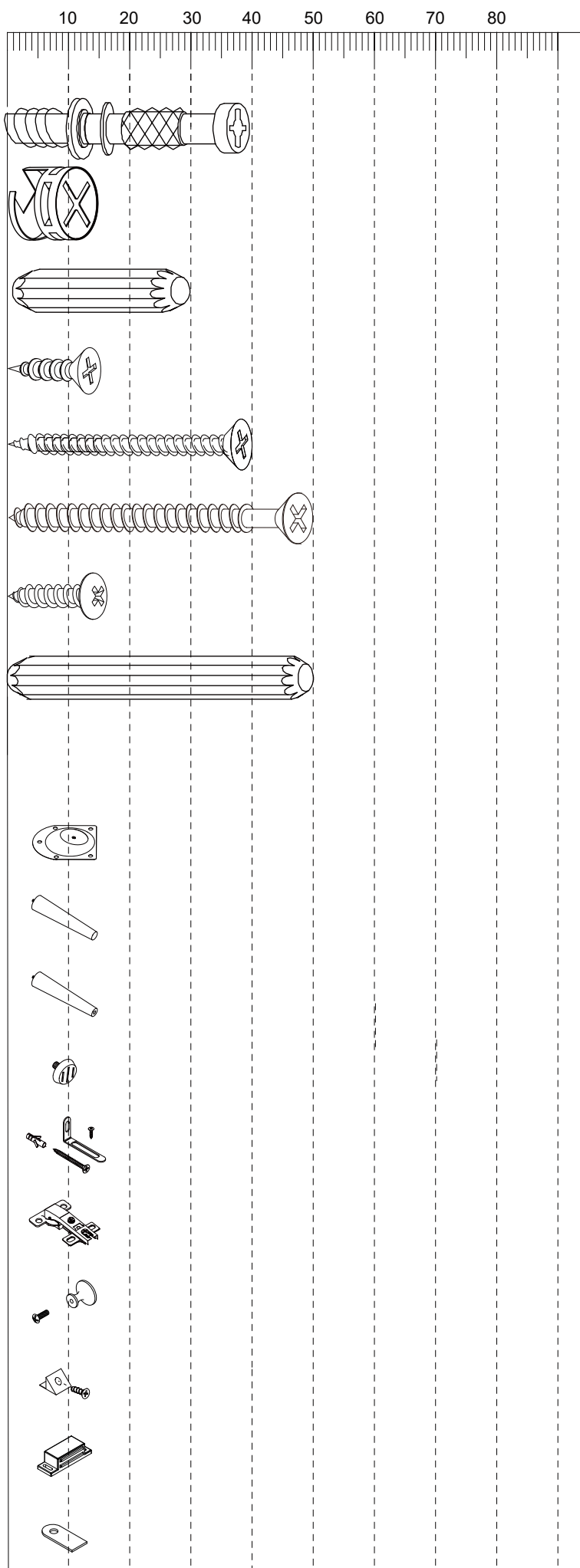
All parts are packed in one carton

1	2	3
Description: LEFT SIDE PANEL Qty: 1 Size: 230x579x18mm Carton No: 1/2	Description: RIGHT SIDE PANEL Qty: 1 Size: 230x579x18mm Carton No: 1/2	Description: MIDDLE PANEL Qty: 1 Size: 352x579x15mm Carton No: 1/2
4	5	6
Description: SHELF Qty: 1 Size: 350x424x15mm Carton No: 1/2	Description: SHELF Qty: 1 Size: 350x424x15mm Carton No: 1/2	Description: BOTTOM PANEL Qty: 1 Size: 390x903x18mm Carton No: 1/2
7	8	9
Description: BACK PANEL (LOWER) Qty: 1 Size: 293x871x2.7mm Carton No: 1/2	Description: BACK PANEL (UPPER) Qty: 1 Size: 293x871x2.7mm Carton No: 1/2	Description: PLASTIC BAR Qty: 1 Size: 860mm Carton No: 1/2
10	11	12
Description: TOP PANEL Qty: 1 Size: 390x903x18mm Carton No: 1/2	Description: DOOR RIGHT Qty: 1 Size: 448x571x155mm Carton No: 1/2	Description: DOOR LEFT Qty: 1 Size: 448x571x155mm Carton No: 1/2

SORREL RATTAN COMPACT SIDEBORD ASSEMBLY INSTRUCTIONS

Fittings (to scale)

Code	Item	Quantity
A	CAM BOLT (7x39mm)	12
B	CAM NUT	12
C	DOWEL (8x30mm)	16
D	SCREW (3.5x14mm)	22
E	SCREW (5x40mm)	2
F	SCREW (5x50mm)	6
H	SCREW (4x14mm)	20
P	DOWEL (8x50mm)	2

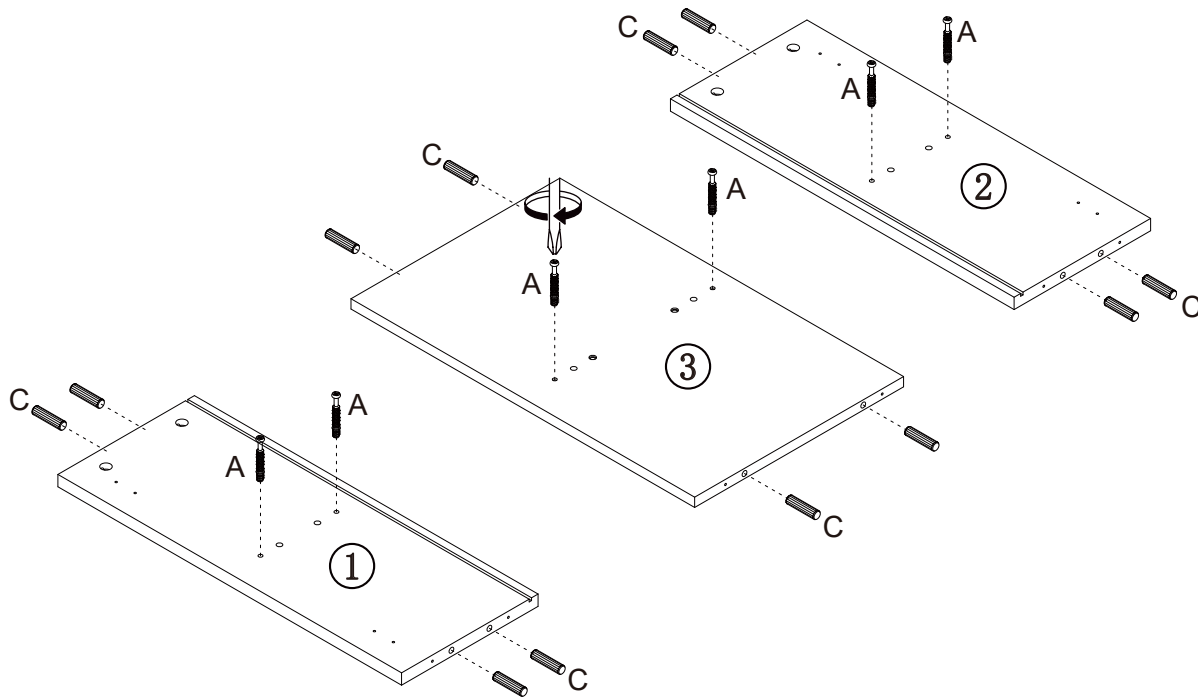


Fittings (not to scale)

Code	Item	Quantity
G	METAL PLATE	4
I	LEG (Ø40xØ25x160mm)	4
J	LEG (Ø40xØ25x160mm)	1
K	ADJUSTABLE PLASTIC GLIDE	1
L	WALL FIXING	2
M	HINGE	4
N	HANDLE	2
O	CORNER FIXING	10
Q	DOOR STOPPER	2
R	METAL PLATE	2

SORREL RATTAN COMPACT SIDEBOARD ASSEMBLY INSTRUCTIONS

STEP 1



For this step:

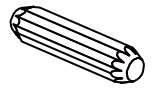
Tools required



Fittings required

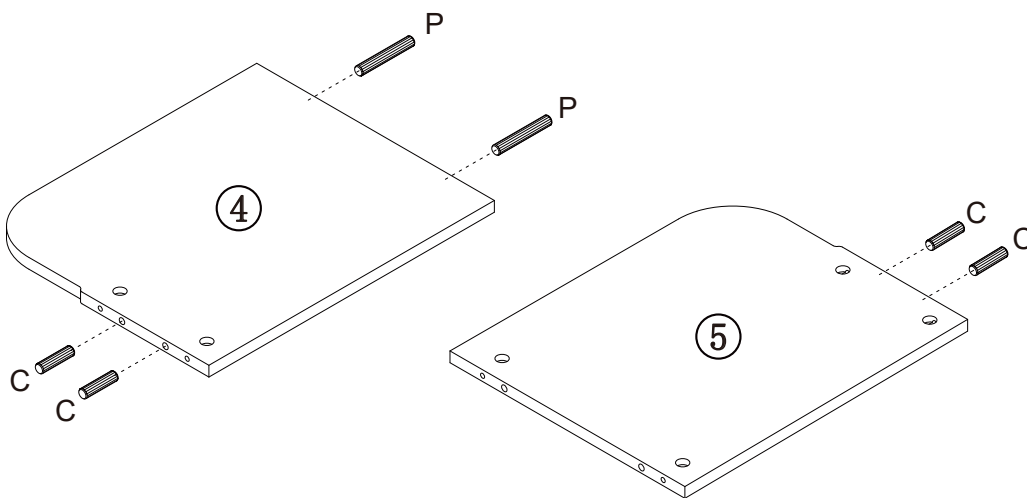


A x 6



C x 12

STEP 2



For this step:

Tools required

Fittings required

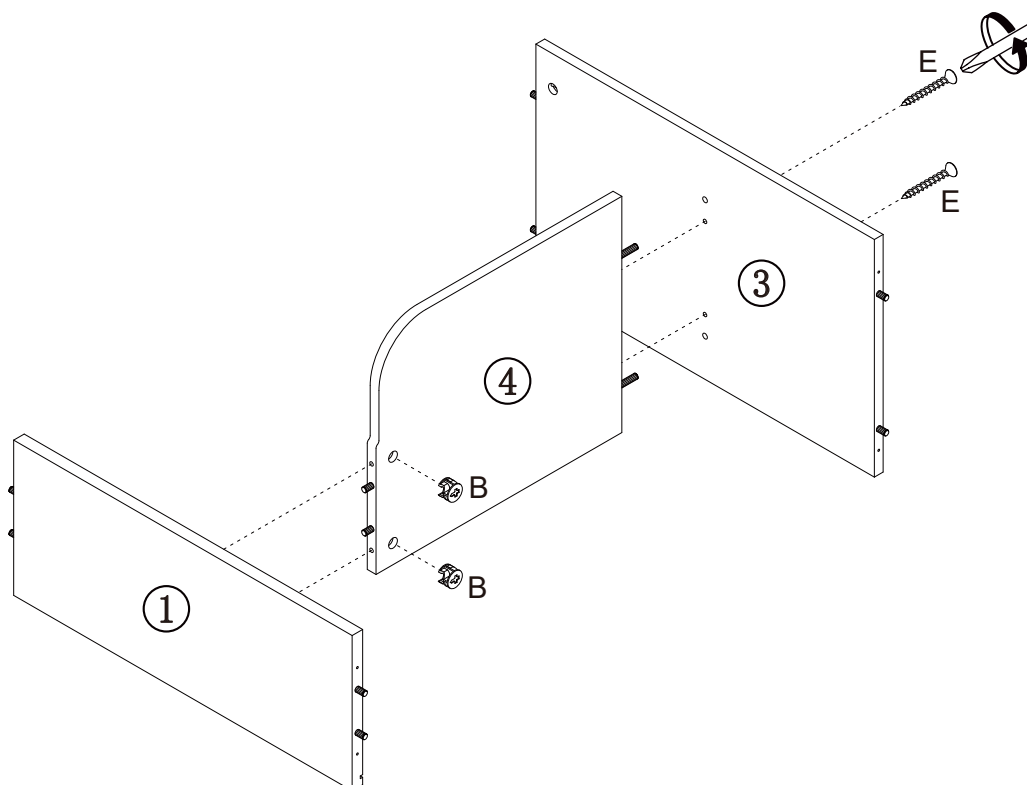


C x 4



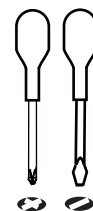
P x 2

STEP 3



For this step:

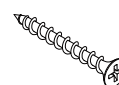
Tools required



Fittings required

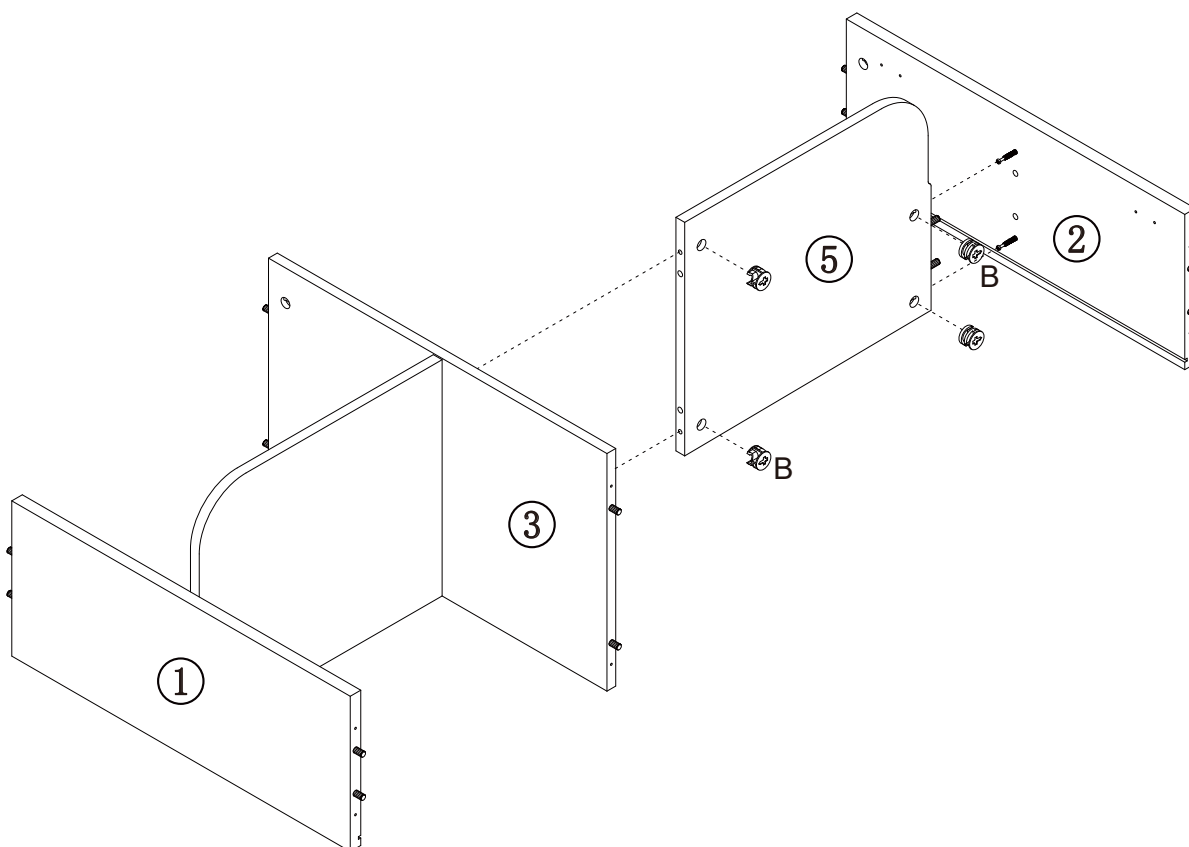


B x 2



E x 2

STEP 4



For this step:

Tools required



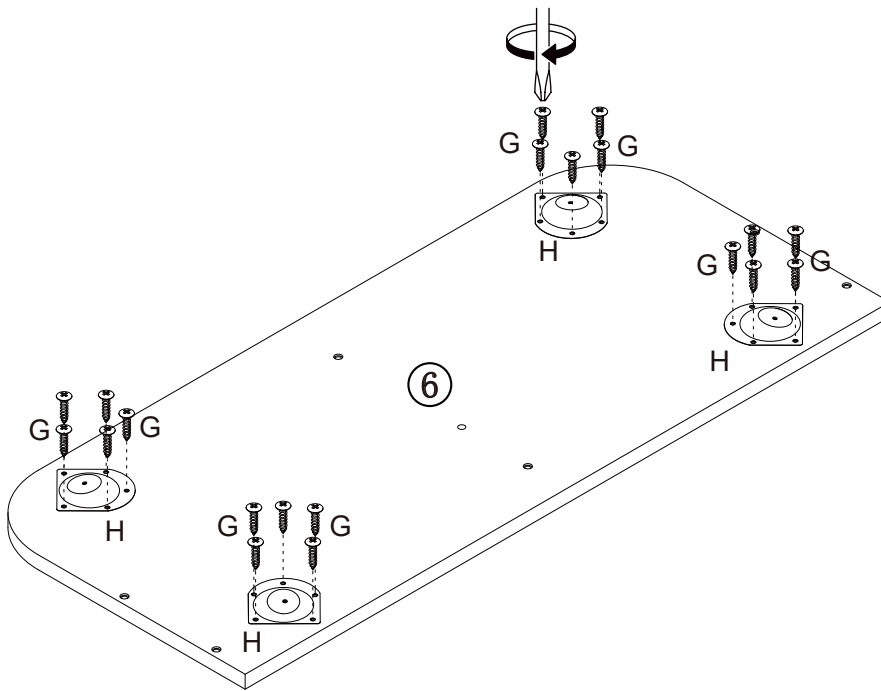
Fittings required



B x 4

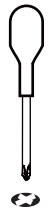
SORREL RATTAN COMPACT SIDEBORD ASSEMBLY INSTRUCTIONS

STEP 5

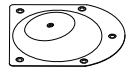


For this step:

Tools required



Fittings required

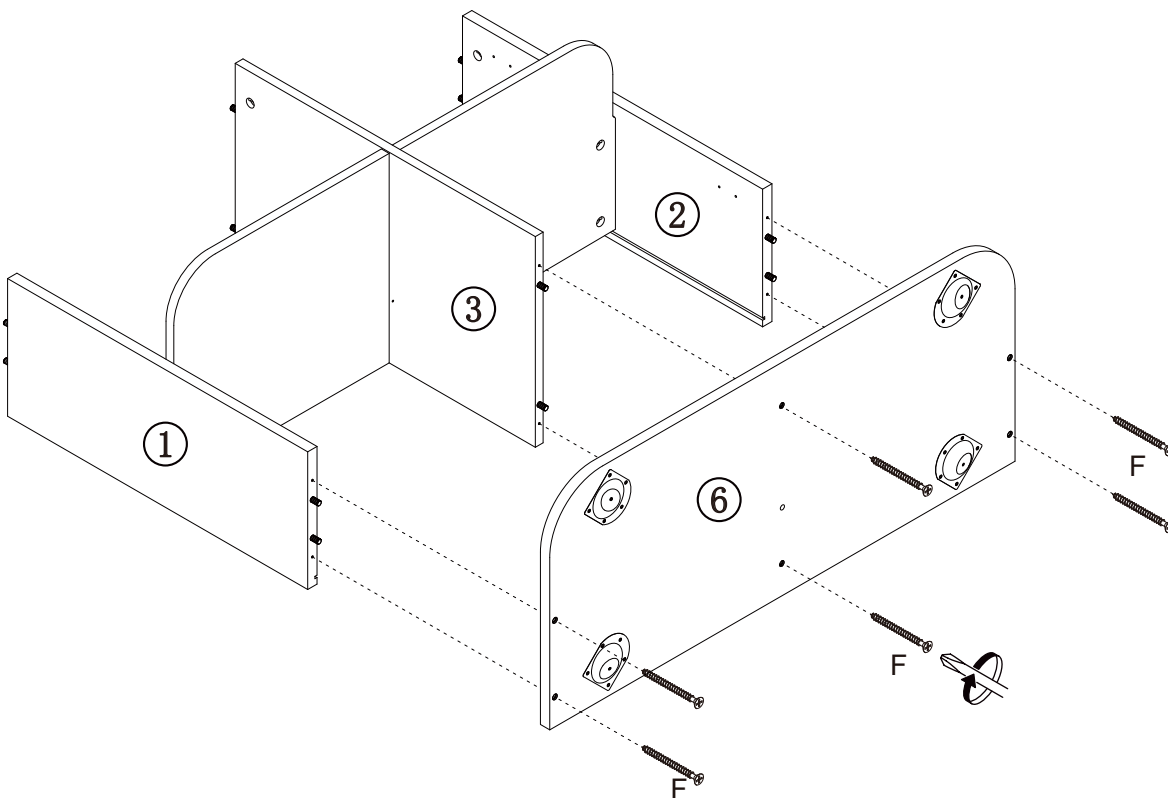


G x 4



H x 20

STEP 6



For this step:

Tools required



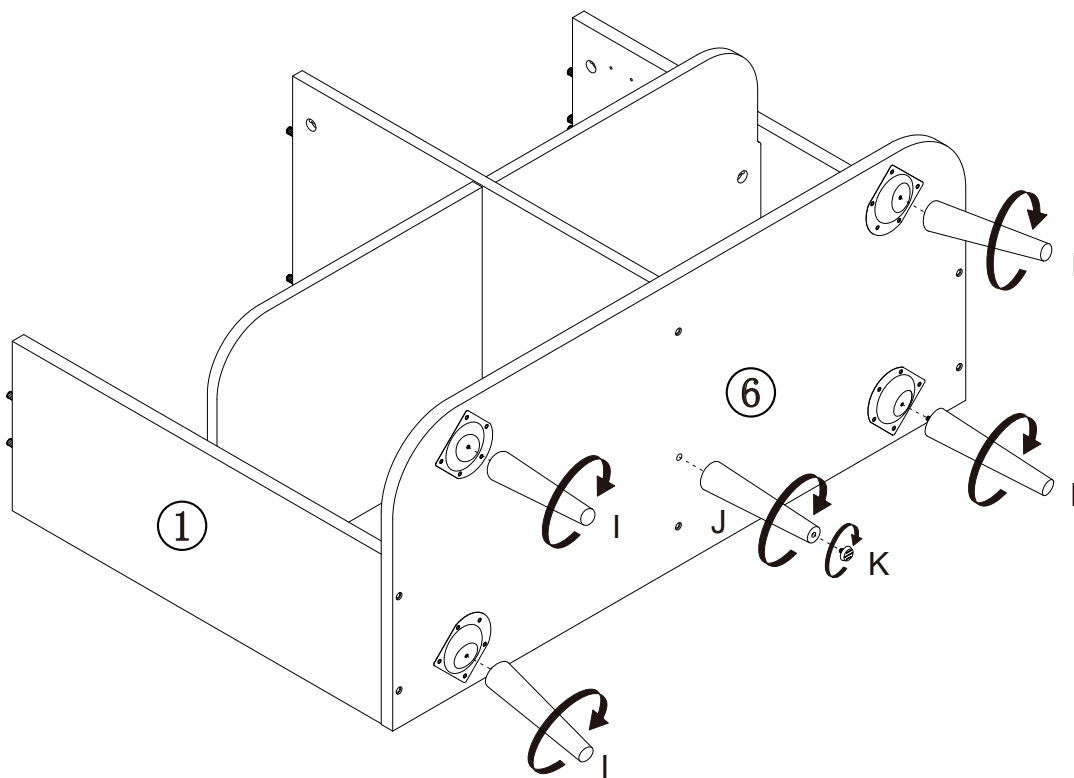
Fittings required



F x 6

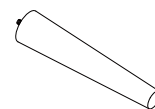
SORREL RATTAN COMPACT SIDEBORD ASSEMBLY INSTRUCTIONS

STEP 7

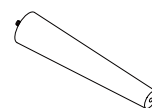


For this step:
Tools required

Fittings required



I x 4

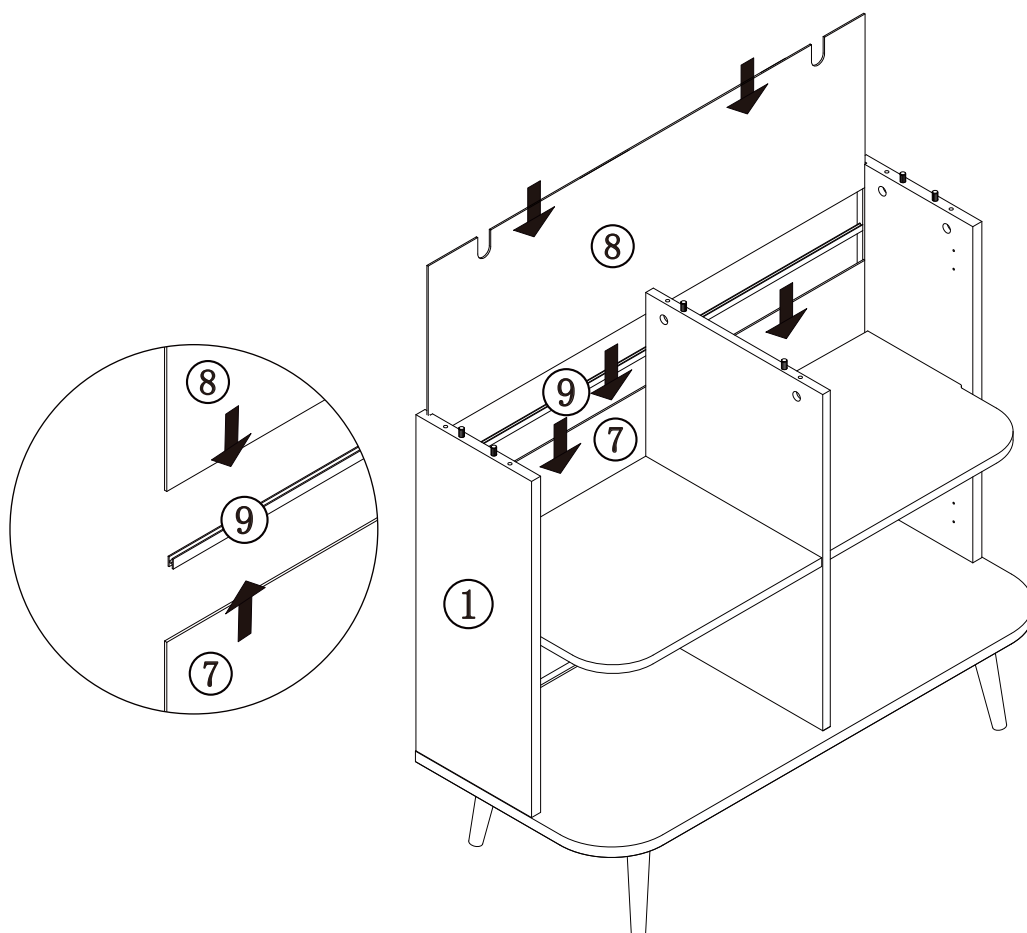


J x 1



K x 1

STEP 8

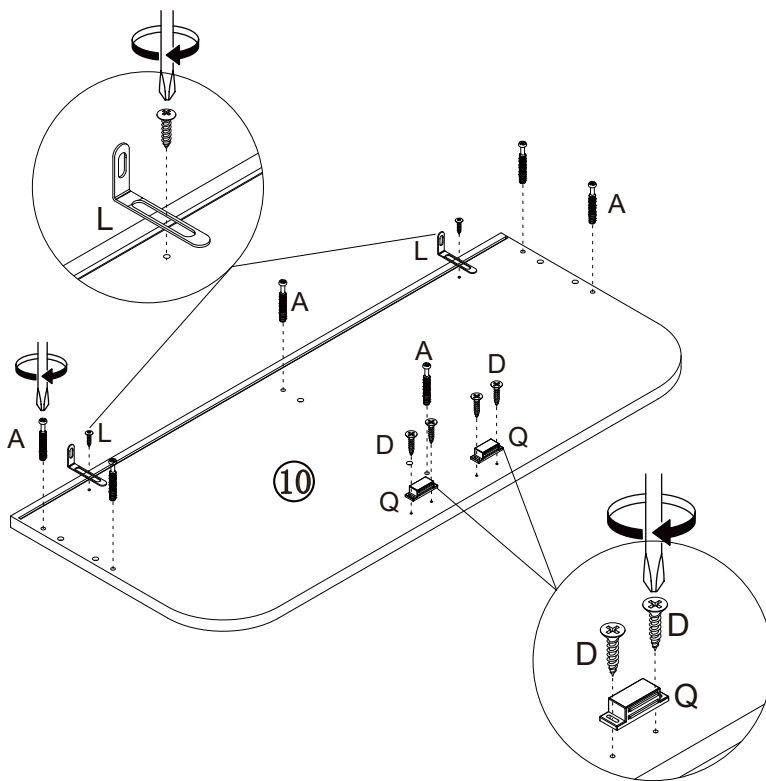


For this step:
Tools required

Fittings required

SORREL RATTAN COMPACT SIDEBORD ASSEMBLY INSTRUCTIONS

STEP 9



For this step:
Tools required



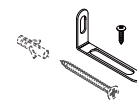
Fittings required



A x 6



D x 4

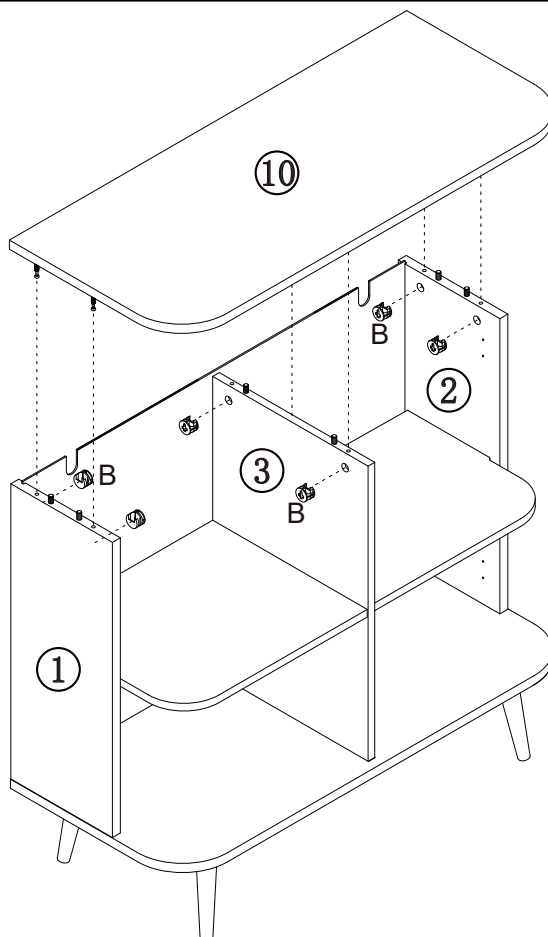


L x 2



Q x 2

STEP 10



For this step:
Tools required

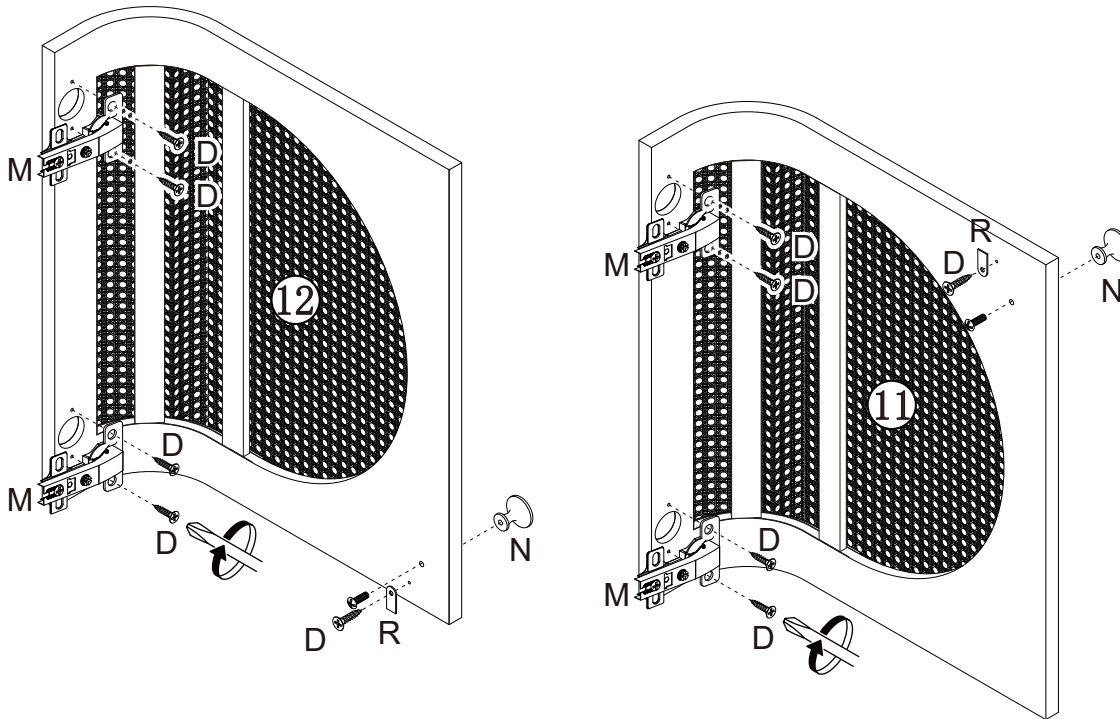


Fittings required



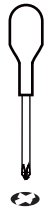
B x 6

STEP 11



For this step:

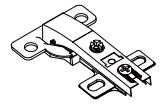
Tools required



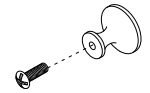
Fittings required



D x 10



M x 4

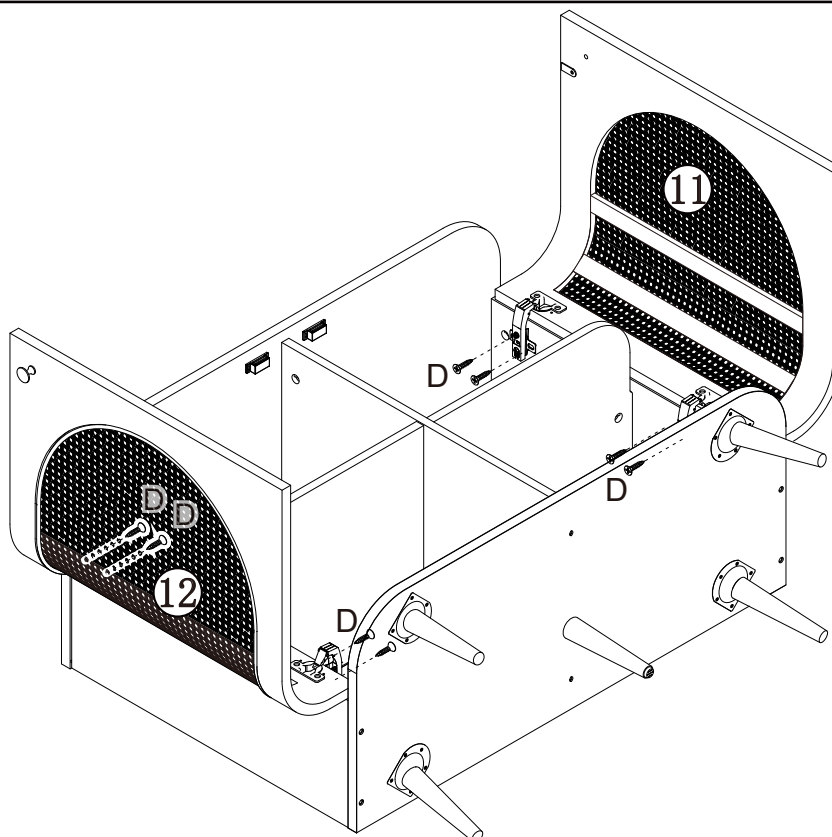


N x 2



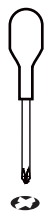
R x 2

STEP 12



For this step:

Tools required



Fittings required



D x 8

STEP 13

For this step:

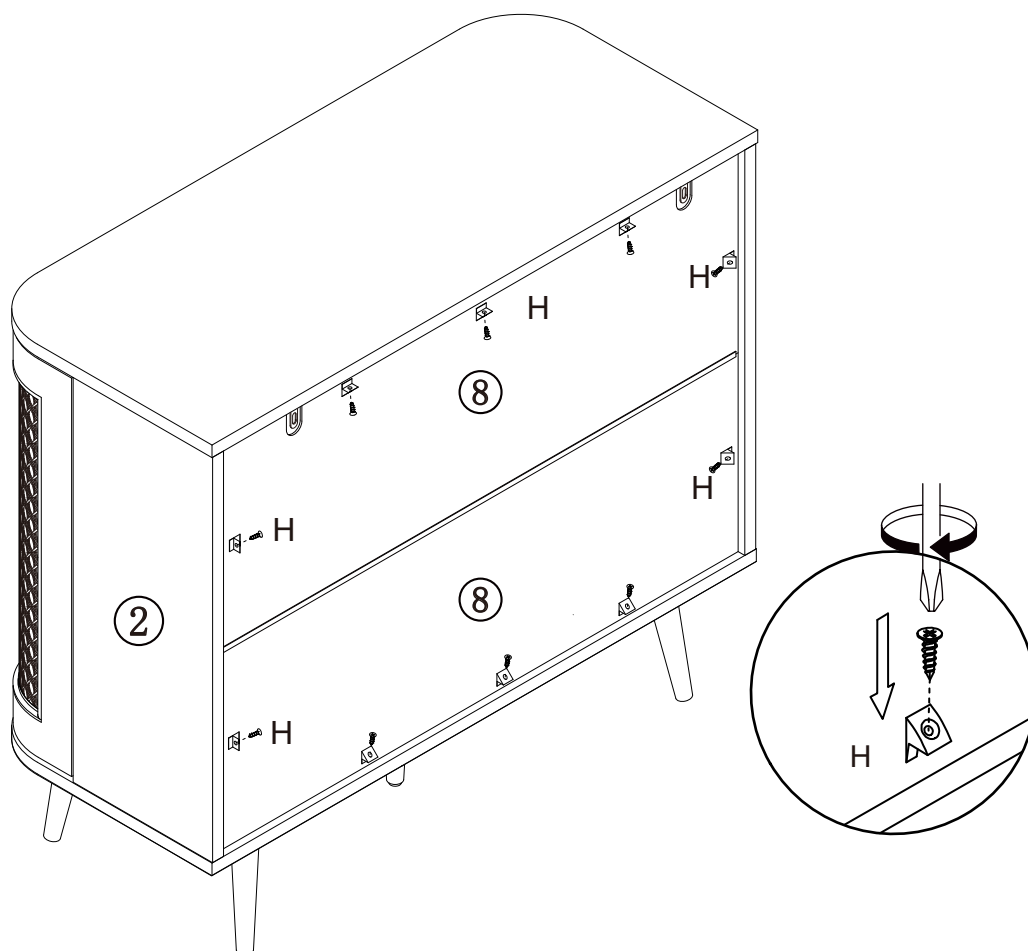
Tools required



Fittings required



H x 10



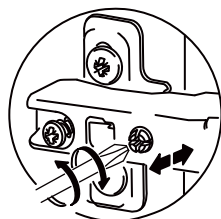
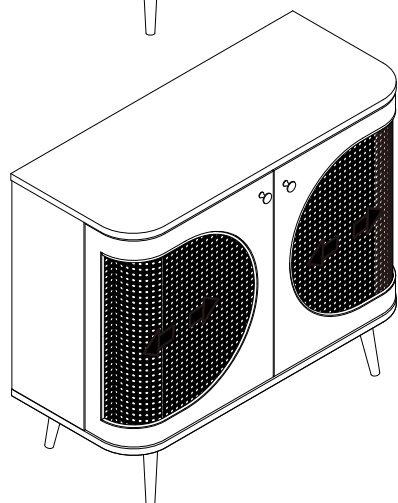
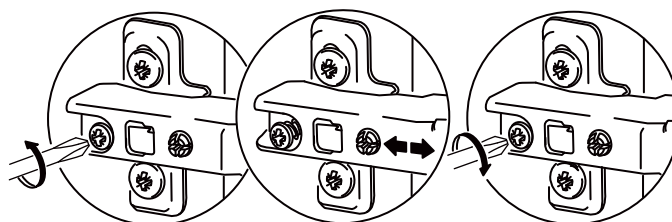
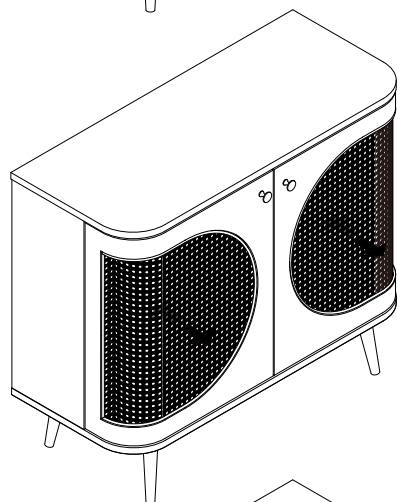
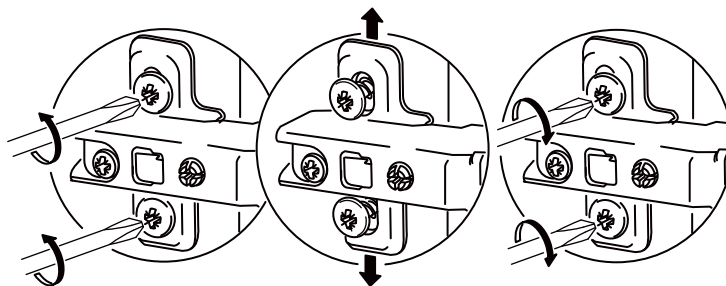
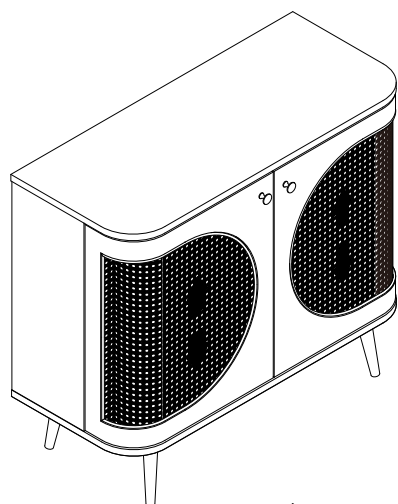
STEP 14

For this step:

Tools required



Fittings required



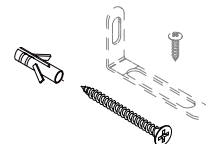
STEP 15

For this step:

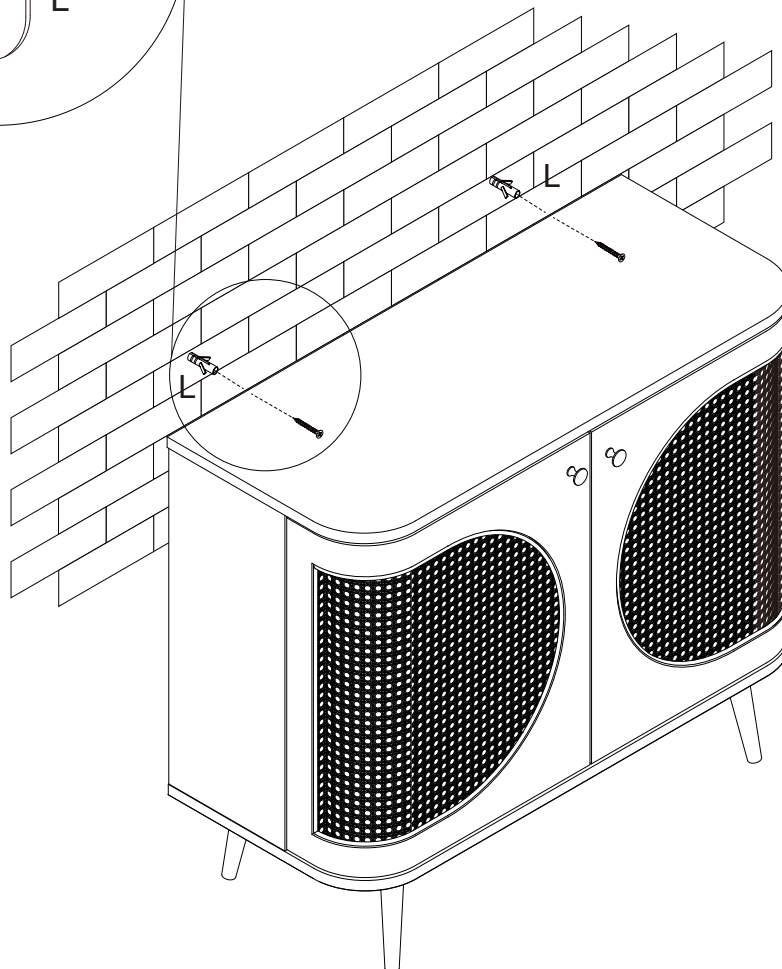
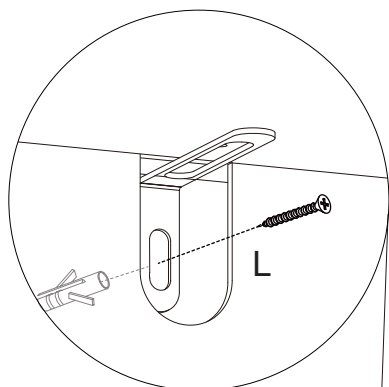
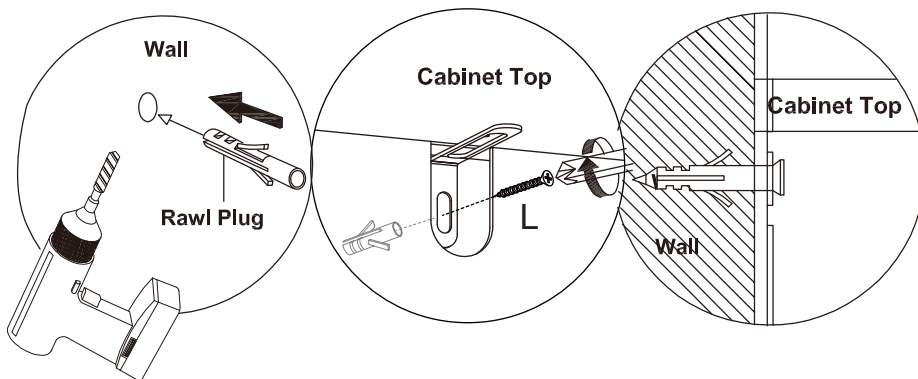
Tools required



Fittings required

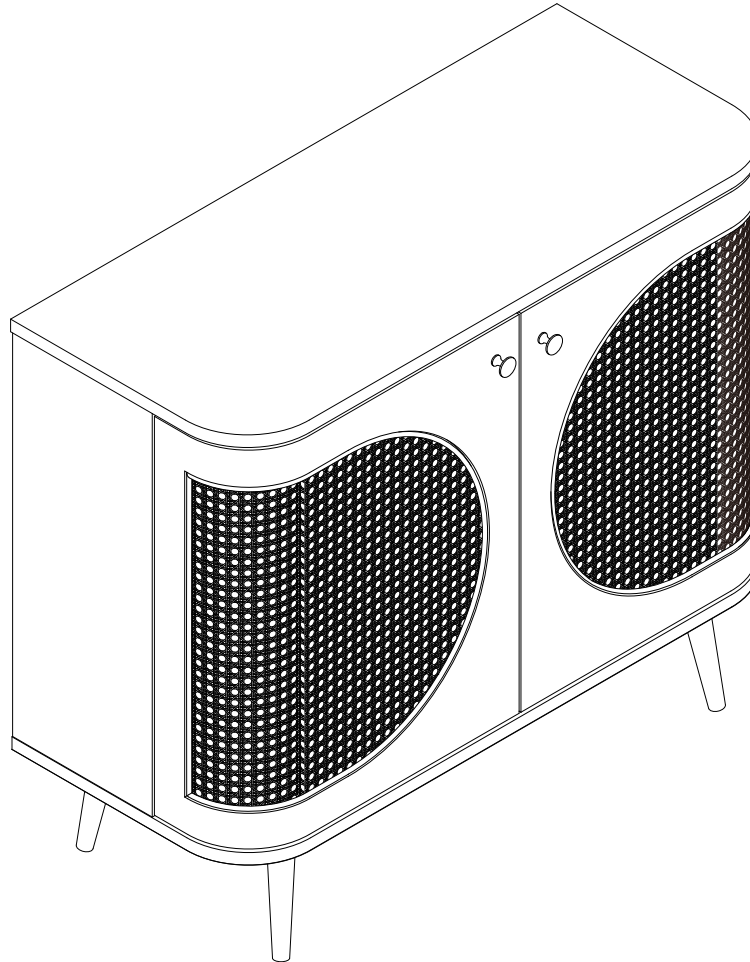


L x 2

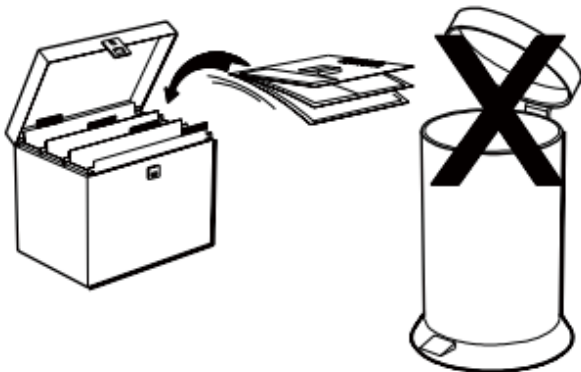


Assembly Completed

Your SORREL RATTAN COMPACT SIDEBORAD is now completely assembled.
Periodically check to ensure that the components are in their proper position, free from damage.
Also, make sure the connectors are tight and secure.



Keep instructions for future reference



Represented by:
Authorised Rep Compliance Ltd
71 Lower Baggot Street
Dublin
D02 P593
Ireland
www.arccompliance.com

Supplied by:
GFW The Furniture Warehouse
Waterside Distribution Centre
Waterside Business Park
Johnson Road
Lancashire
BB3 3RT
www.gfwlimited.co.uk