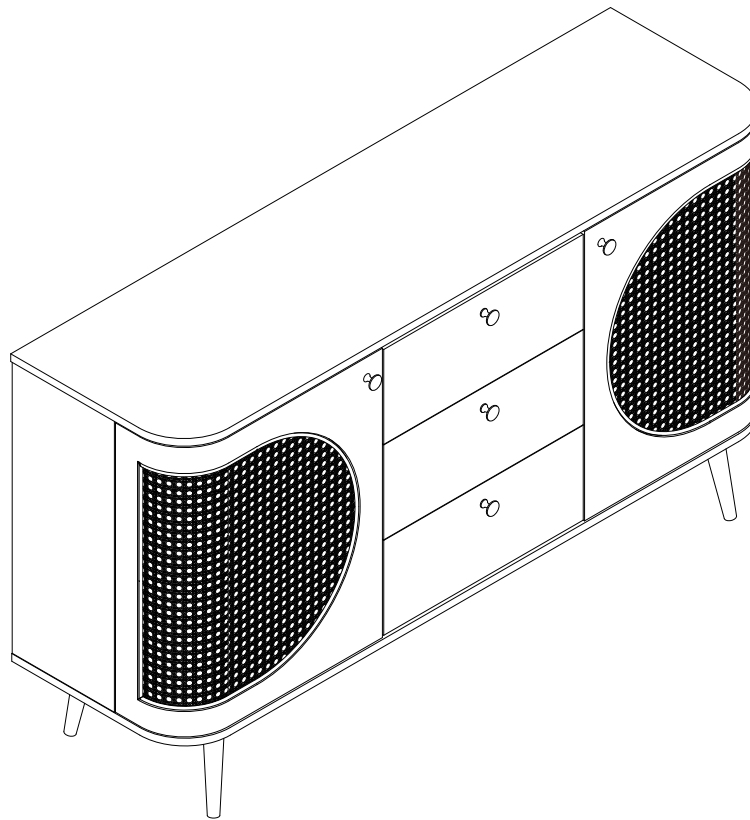


# SORREL RATTAN LARGE SIDEBORD ASSEMBLY INSTRUCTIONS

Thank you for purchasing the SORREL RATTAN LARGE SIDEBORD  
Please read the instructions carefully to ensure safe operation of this product.



Size: 140x39x78.5cm

---

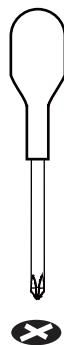
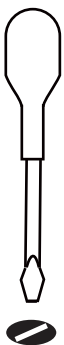
**PLEASE READ** this sheet prior to assembly to familiarise yourself with the various stages of construction.

Carefully open the pack supplied and check the contents against the parts and fittings check list. Do not destroy any of the packaging until you are certain that you have all the necessary parts for the assembly.

**CAUTION:** There are small components used in the construction of this unit. These loose items should be kept away from young children whilst assembling your unit to avoid the danger of choking.

---

## Tools Required



Number of people



2 Hour  
Set Up

**IMPORTANT - READ CAREFULLY - RETAIN THESE INSTRUCTIONS FOR FUTURE REFERENCE.**

**INFORMATION**

- This product is designed to hold 30Kg spread evenly over the whole unit.
- Do not exceed this weight.
- We recommend that this unit is assembled in the room intended for use.
- When you are ready to start, make sure that you have the right tools, plenty of space and a clean, dry area for assembly.
- Unwrap all packaging materials and place the components on top of the carton box or on a clean floor to prevent any accidental scratching.
- Check the pack and make sure you have all the parts listed.
- Ensure that this product is fully assembled as illustrated before use.
- Check all screws or bolts are tightened and inspect regularly
- Tools not included unless specified in parts list.

**WARNINGS**

- This product should only be used on a firm and level floor.
- Keep small parts out of reach of children.
- Make sure the legs remain in contact with the floor.
- DO NOT use power tools to construct this product.
- DO NOT over-tighten screws or bolts.
- DO NOT use this product if parts are missing, damaged or worn.
- DO NOT sit or stand on the product.
- DO NOT place hot or Warm objects on the surface as these may damage the Product .  
Always use a suitable heat resistant mat.

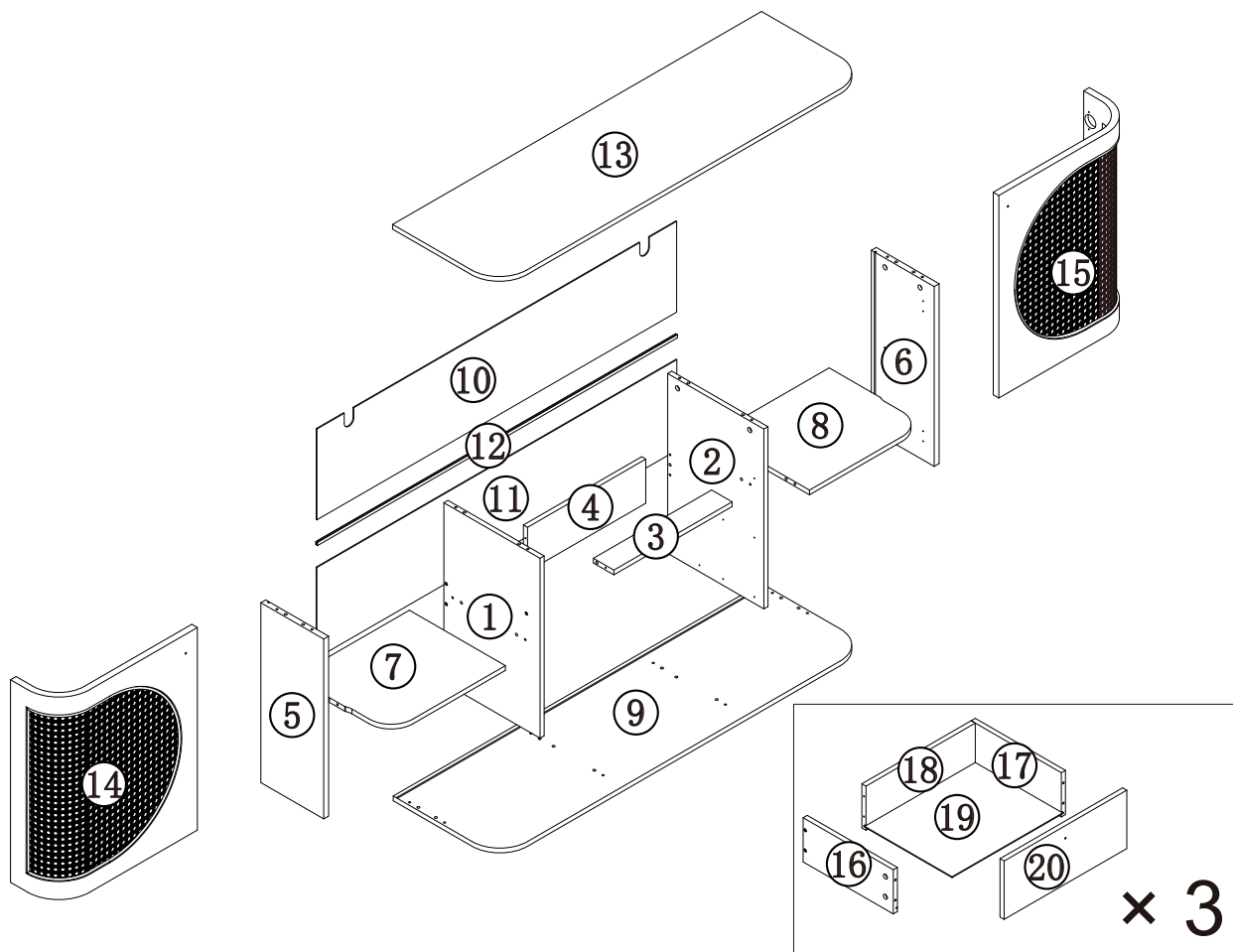
**CARE INFORMATION**

- Never use scourers, abrasives or chemical cleaners.
- To clean, wipe with a damp sponge and warm soapy water.
- Do not use solvent based cleaners or detergents as they can bleach or damage the product.

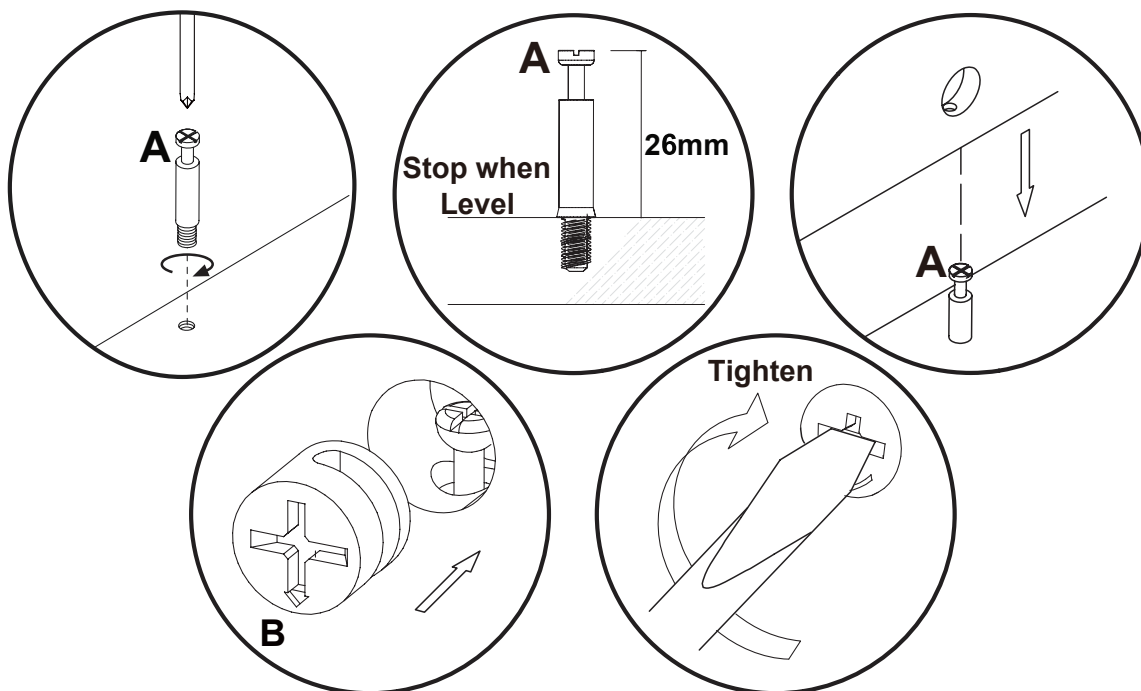
### Parts and Fittings Checklist

Please check the pack contents before assembling the product. If any components are missing, please contact your retailer.

The fittings pack contains small items that should be kept away from children.



### General Hints & Tips



# SORREL RATTAN LARGE SIDEBORD ASSEMBLY INSTRUCTIONS

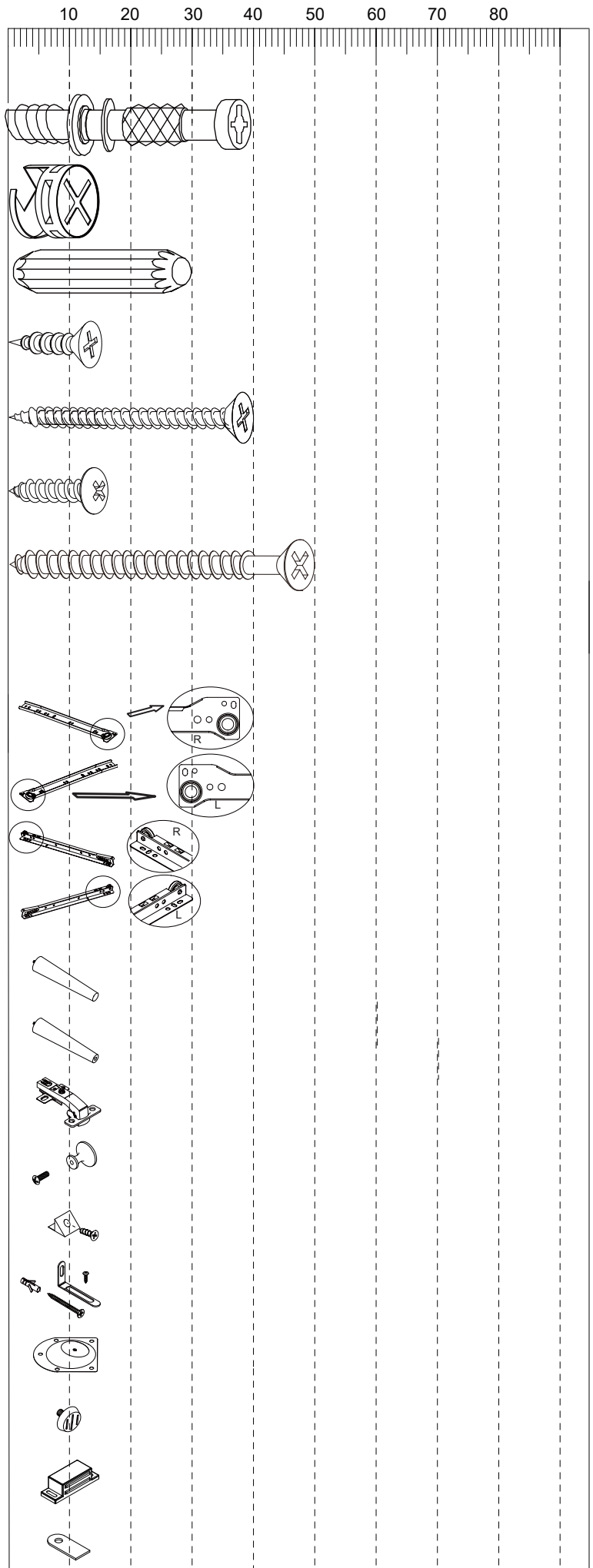
All parts are packed in one carton

1	2	3
Description: MIDDLE PANEL Qty: 1 Size: 352x579x15mm Carton No: 1/3	Description: MIDDLE PANEL Qty: 1 Size: 352x579x15mm Carton No: 1/3	Description: CENTRAL SUPPORT RAIL Qty: 1 Size: 75x500x15mm Carton No: 1/3
4	5	6
Description: REAR PANEL SUPPORT Qty: 1 Size: 140x500x15mm Carton No: 1/3	Description: LEFT SIDE PANEL Qty: 1 Size: 230x579x18mm Carton No: 1/3	Description: RIGHT SIDE PANEL Qty: 1 Size: 230x579x18mm Carton No: 1/3
7	8	9
Description: LEFT SHELF Qty: 1 Size: 350x415x15mm Carton No: 1/3	Description: RIGHT SHELF Qty: 1 Size: 350x415x1.5mm Carton No: 1/3	Description: BOTTOM PANEL Qty: 1 Size: 390x1400x18mm Carton No: 1/3
10	11	12
Description: BACK PANEL (UPPER) Qty: 1 Size: 293x1368x2.7mm Carton No: 1/3	Description: BACK PANEL (LOWER) Qty: 1 Size: 293x1368x2.7mm Carton No: 1/3	Description: PLASTIC BAR Qty: 1 Size: 1358mm Carton No: 1/3
13	14	15
Description: TOP PANEL Qty: 1 Size: 390x1400x18mm Carton No: 1/3	Description: DOOR LEFT Qty: 1 Size: 571x448x15mm Carton No: 1/3	Description: DOOR RIGHT Qty: 1 Size: 571x448x15mm Carton No: 1/3
16	17	18
Description: DRWAER LEFT SIDE PANEL Qty: 3 Size: 140x330x15mm Carton No: 1/3	Description: DRWAER RIGHT SIDE PANEL Qty: 3 Size: 140x330x15mm Carton No: 1/3	Description: DRWAER BACK SIDE PANEL Qty: 3 Size: 140x445x15mm Carton No: 1/3
19	20	
Description: DRAWER BOTTOM PANEL Qty: 3 Size: 322x453x2.7mm Carton No: 1/3	Description: DRWAER FRONT PANEL Qty: 3 Size: 188x494x18mm Carton No: 1/3	

# SORREL RATTAN LARGE SIDEBORD ASSEMBLY INSTRUCTIONS

## Fittings (to scale)

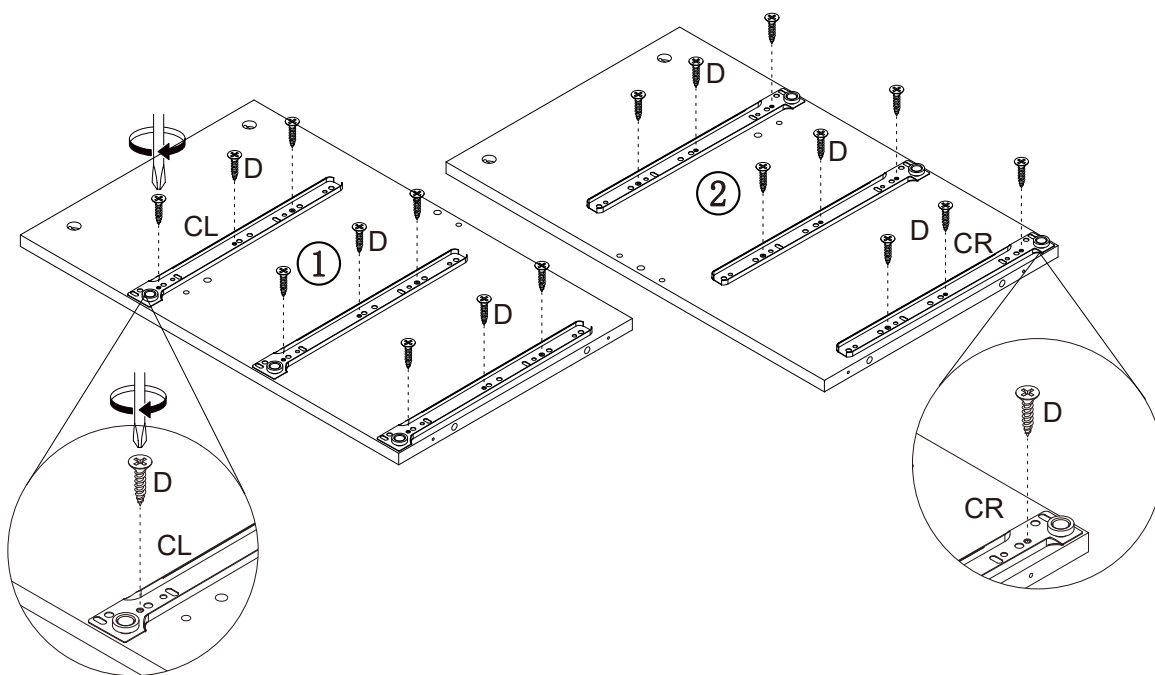
Code	Item	Quantity
A	CAM BOLT (7x39mm )	28
B	CAM NUT	28
C	DOWEL (8x30mm)	28
D	SCREW (3.5x14mm)	58
E	SCREW (5x40mm)	18
F	SCREW (4x14mm)	20
M	SCREW (5x50mm)	8



## Fittings (not to scale)

Code	Item	Quantity
CR	CABINET RUNNER-RIGHT	3
CL	CABINET RUNNER-LEFT	3
DR	DRAWER RUNNER-RIGHT	3
DL	DRAWER RUNNER-LEFT	3
G	LEG (Ø40xØ25x160mm)	4
H	LEG (Ø40xØ25x160mm)	2
I	HINGE	4
J	HANDLE	5
K	CORNER FIXING	14
L	WALL FIXING	2
N	METAL PLATE	4
O	ADJUSTABLE PLASTIC GLIDE	2
P	DOOR SWOPPER	2
Q	METAL PLATE	2

**STEP 1**



For this step:

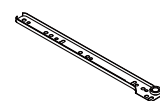
**Tools required**



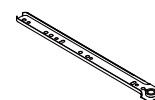
**Fittings required**



D x 18

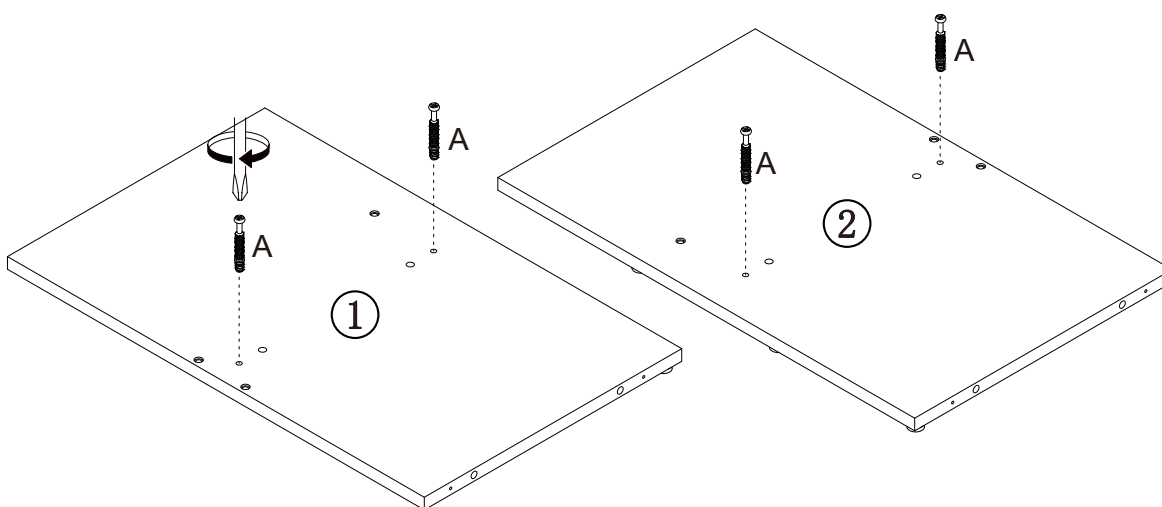


CL x 3



CR x 3

**STEP 2**



For this step:

**Tools required**

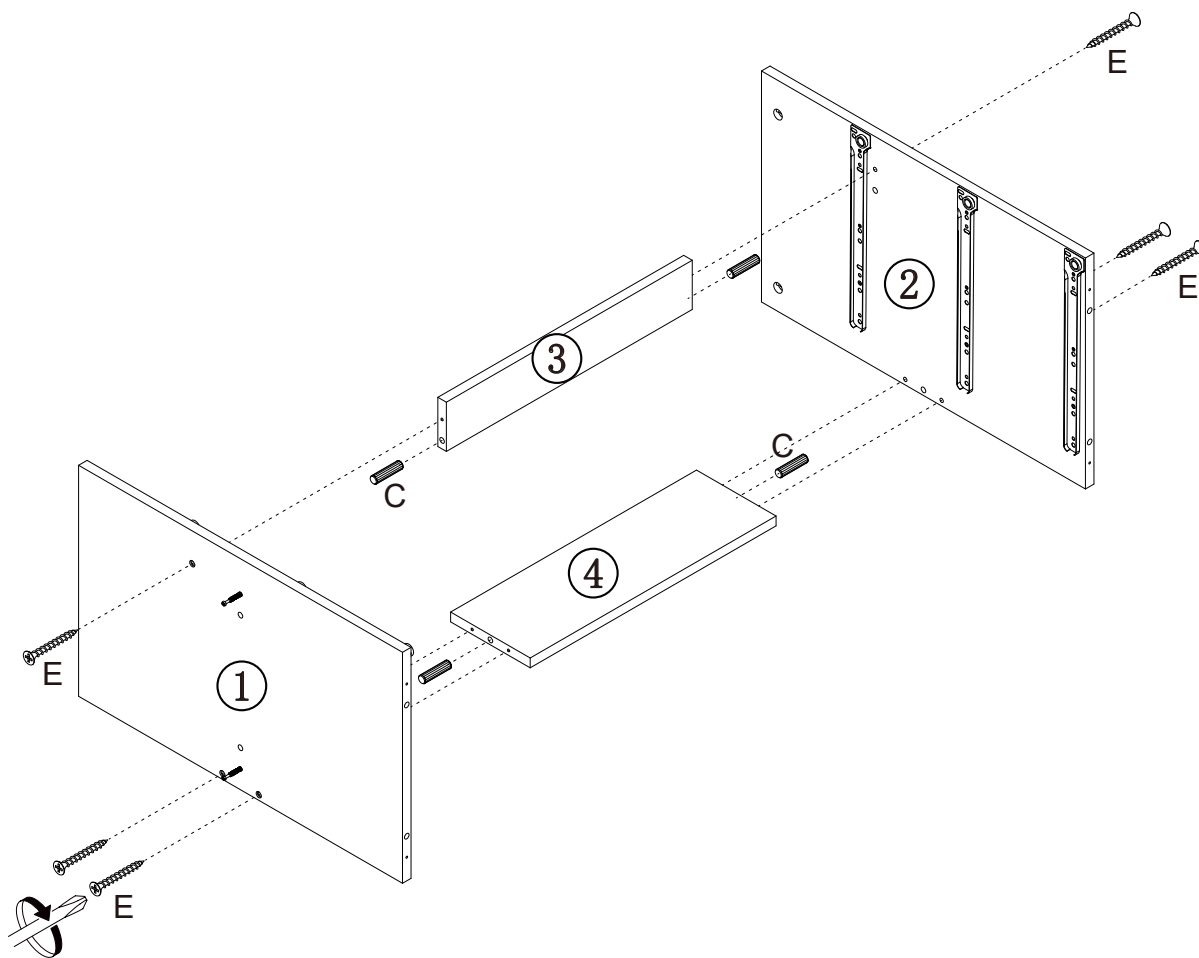


**Fittings required**



A x 4

**STEP 3**

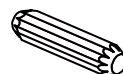


For this step:

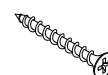
**Tools required**



**Fittings required**

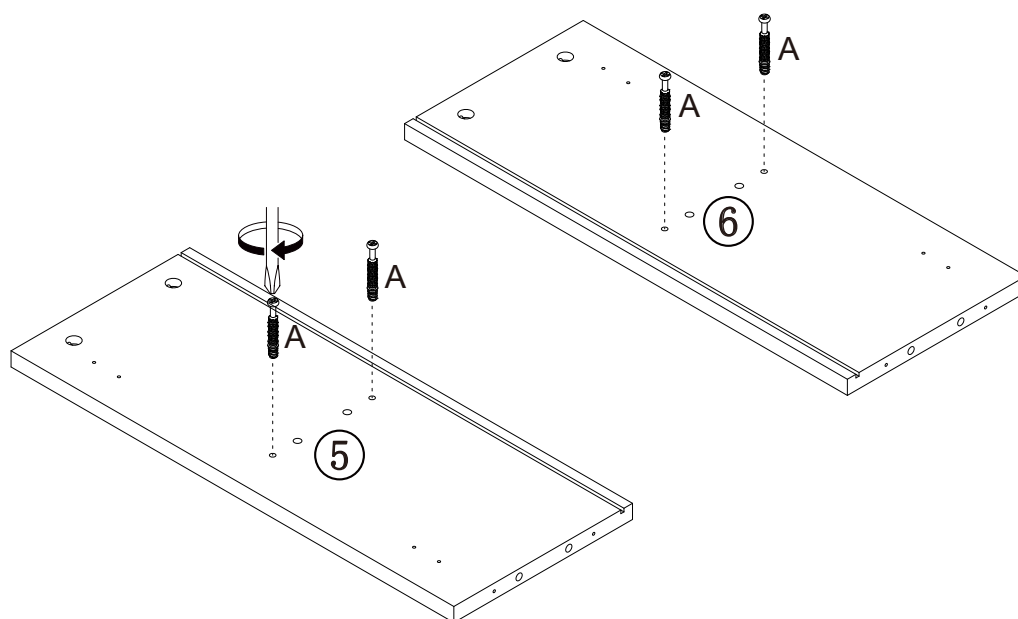


C x 4



E x 6

**STEP 4**



For this step:

**Tools required**

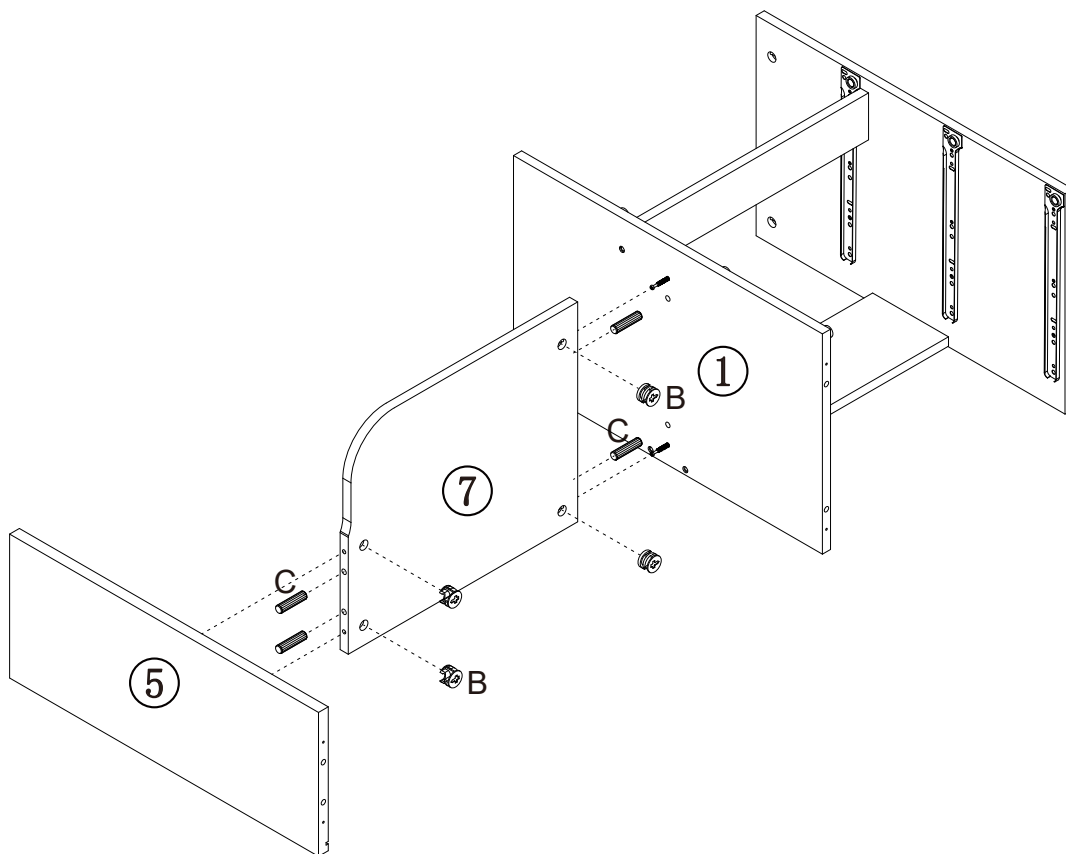


**Fittings required**



A x 4

**STEP 5**



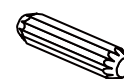
For this step:  
**Tools required**



**Fittings required**

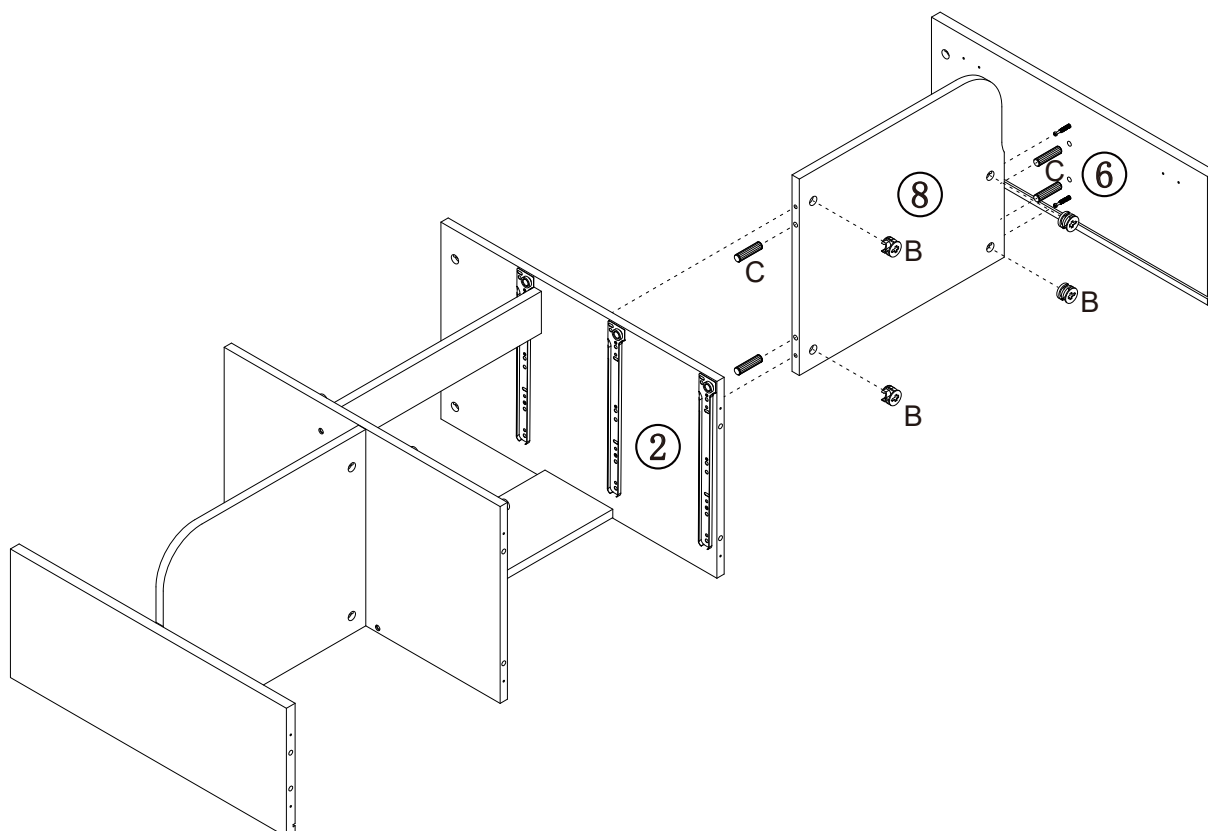


B x 4



C x 4

**STEP 6**



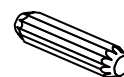
For this step:  
**Tools required**



**Fittings required**

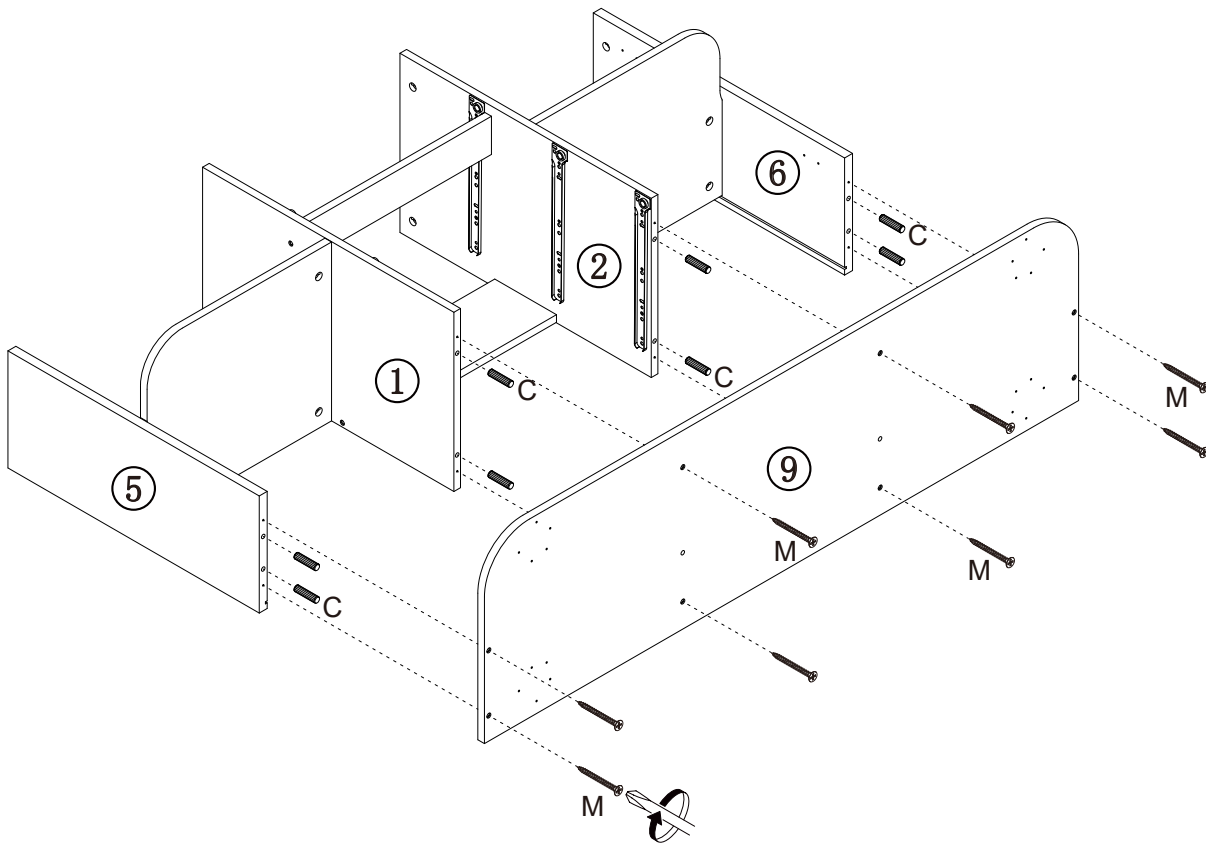


B x 4



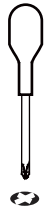
C x 4

## STEP 7



For this step:

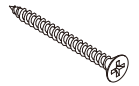
**Tools required**



**Fittings required**

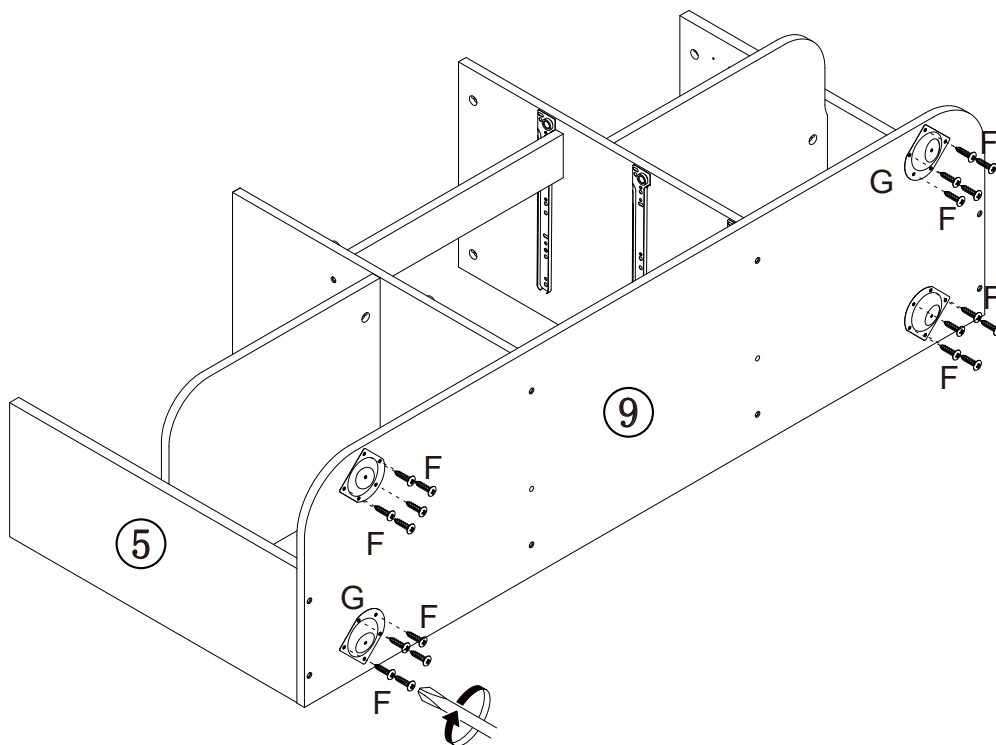


C x 8



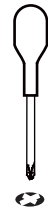
M x 8

## STEP 8



For this step:

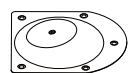
**Tools required**



**Fittings required**



F x 20



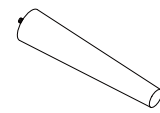
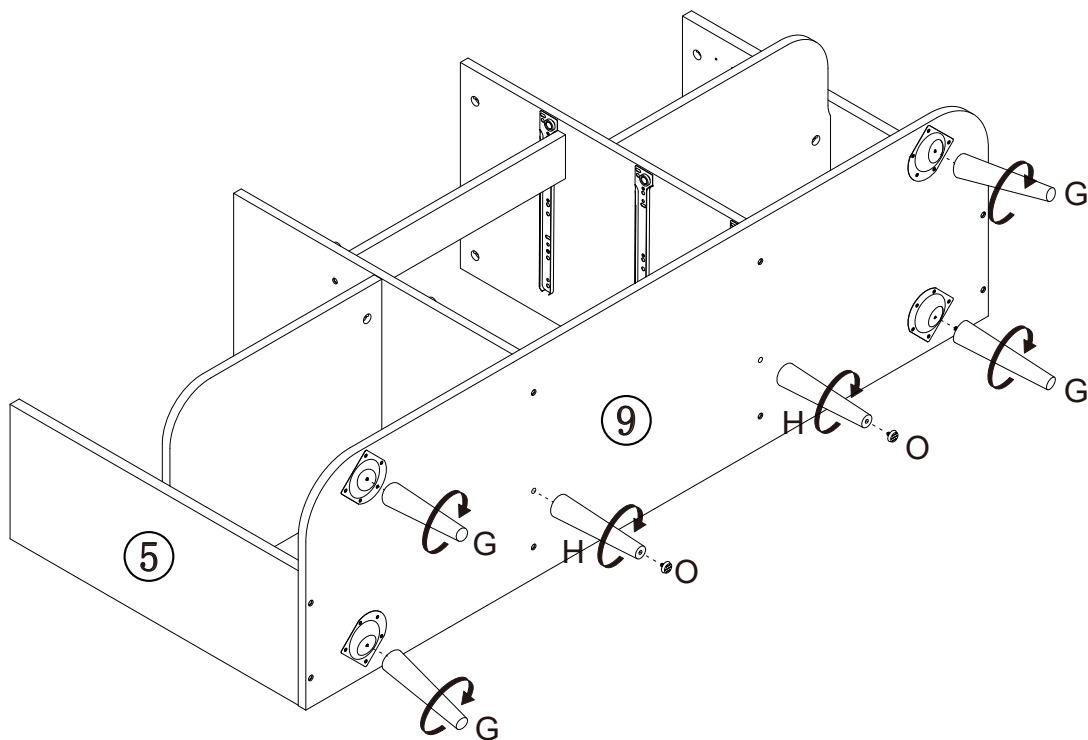
G x 4

**STEP 9**

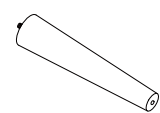
For this step:

**Tools required**

**Fittings required**



G x 4



H x 2



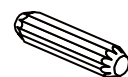
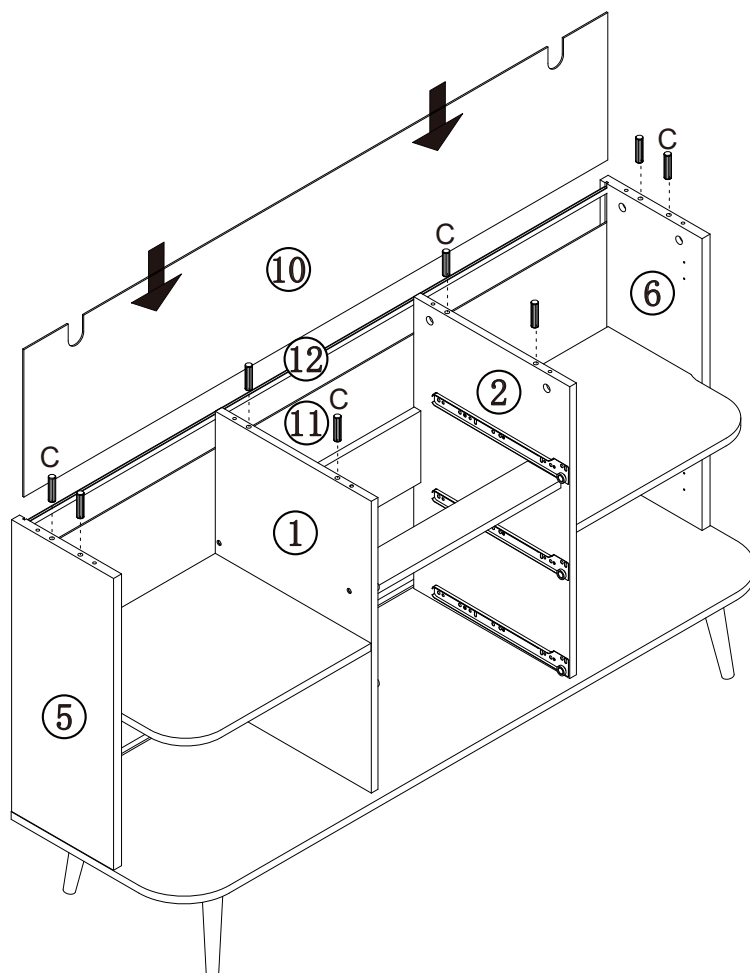
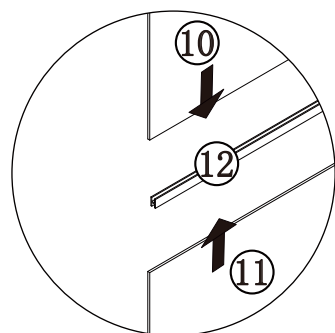
O x 2

**STEP 10**

For this step:

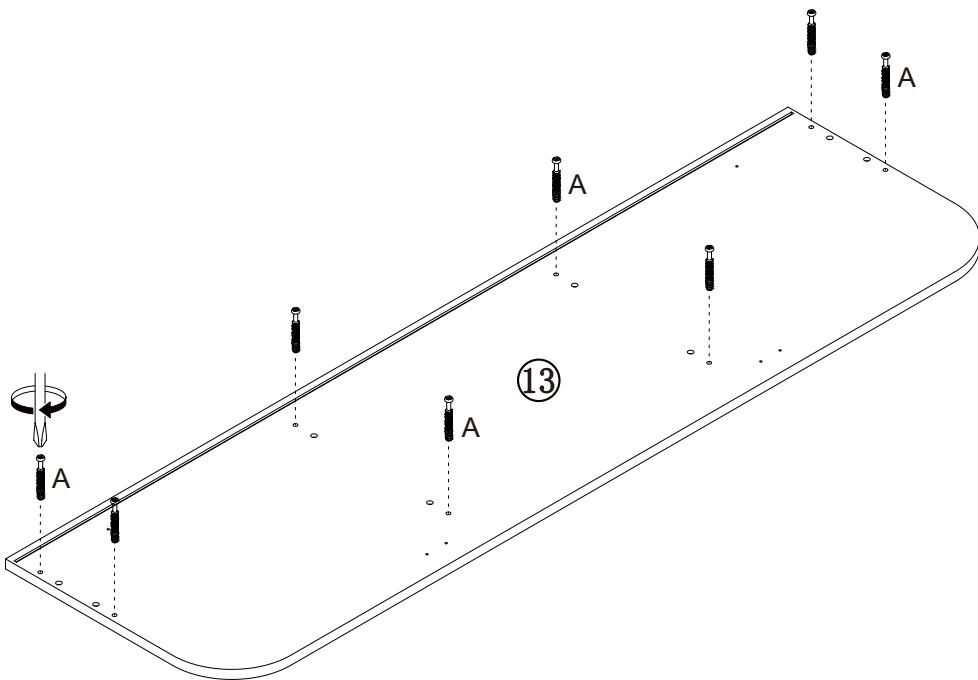
**Tools required**

**Fittings required**

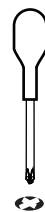


C x 8

**STEP 11**



For this step:  
**Tools required**

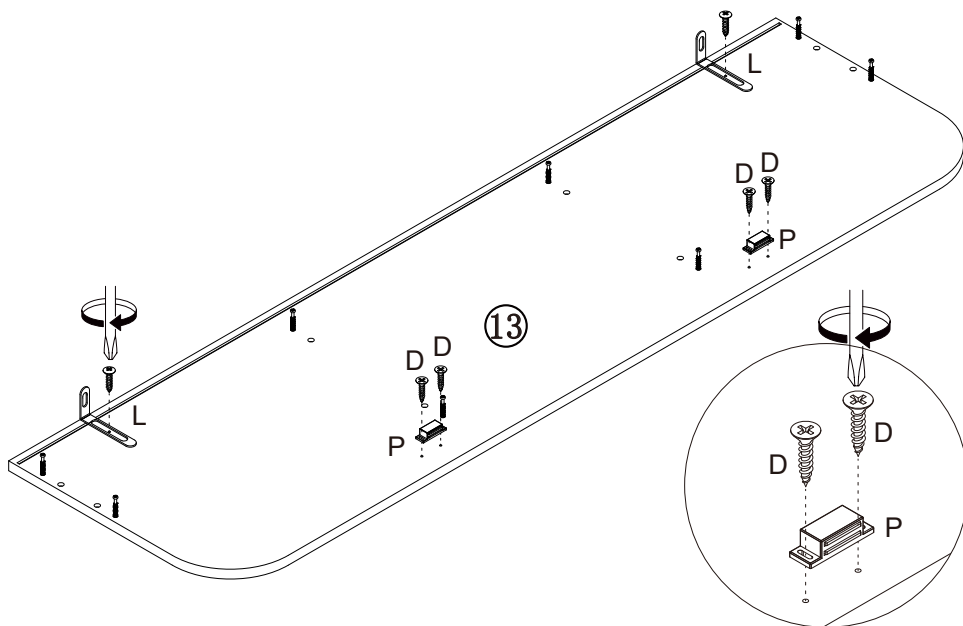


**Fittings required**

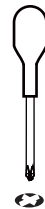


A x 8

**STEP 12**



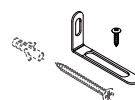
For this step:  
**Tools required**



**Fittings required**



D x 4

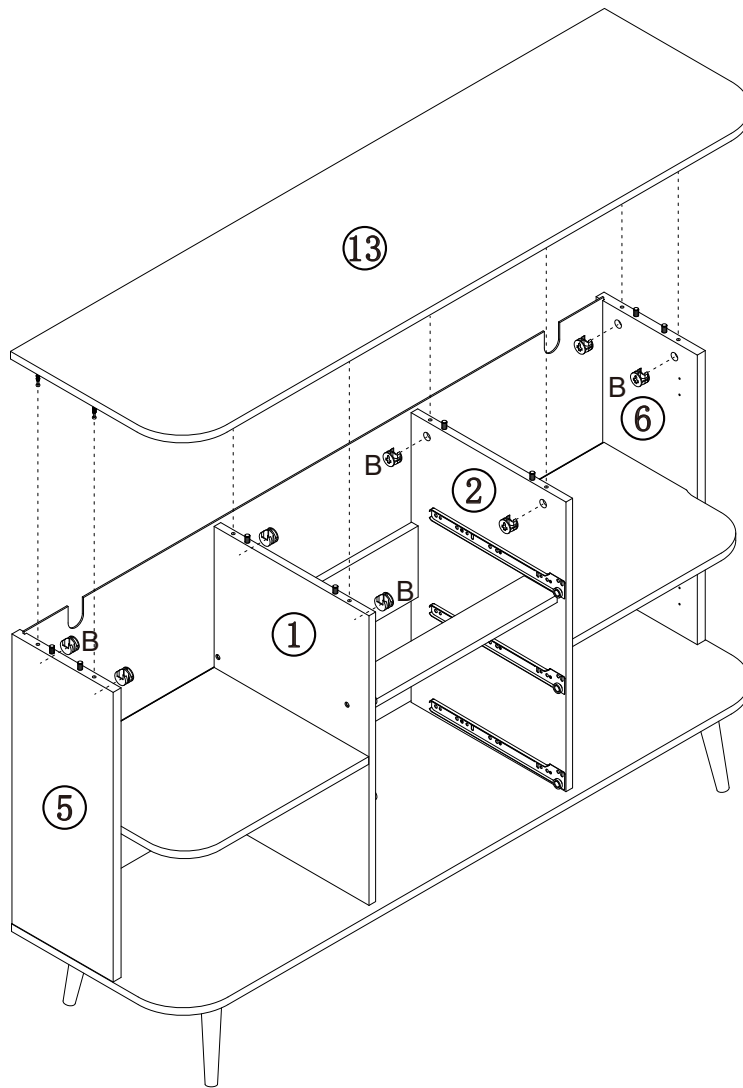


L x 2



P x 2

**STEP 13**



For this step:  
**Tools required**

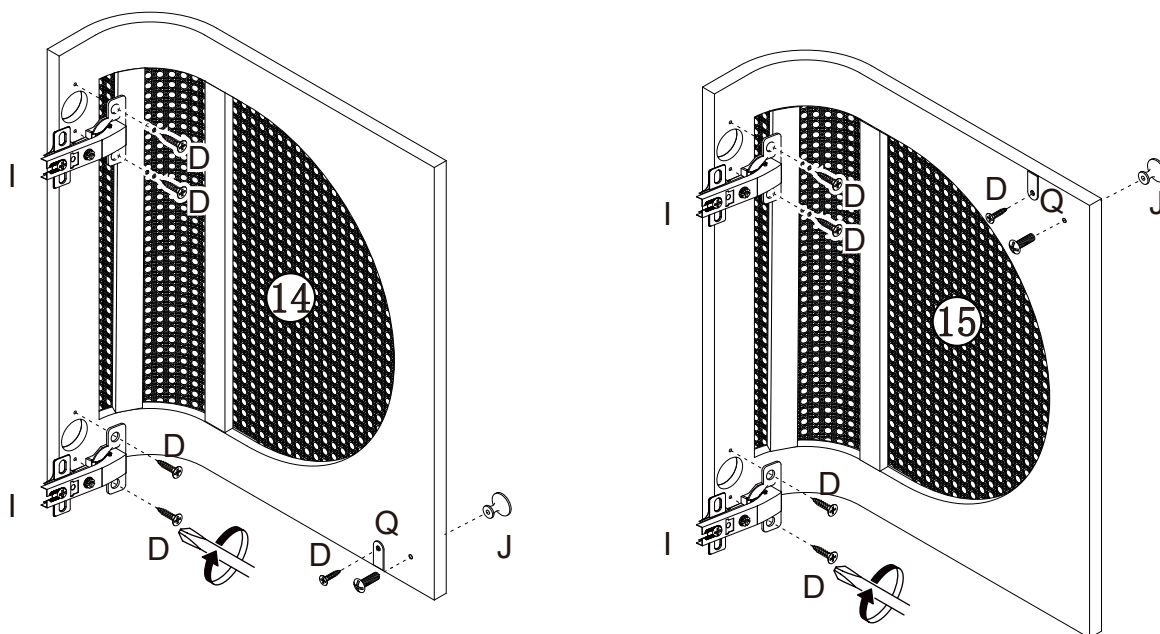


**Fittings required**



B x 8

**STEP 14**



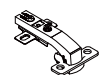
For this step:  
**Tools required**



**Fittings required**



D x 8



I x 4

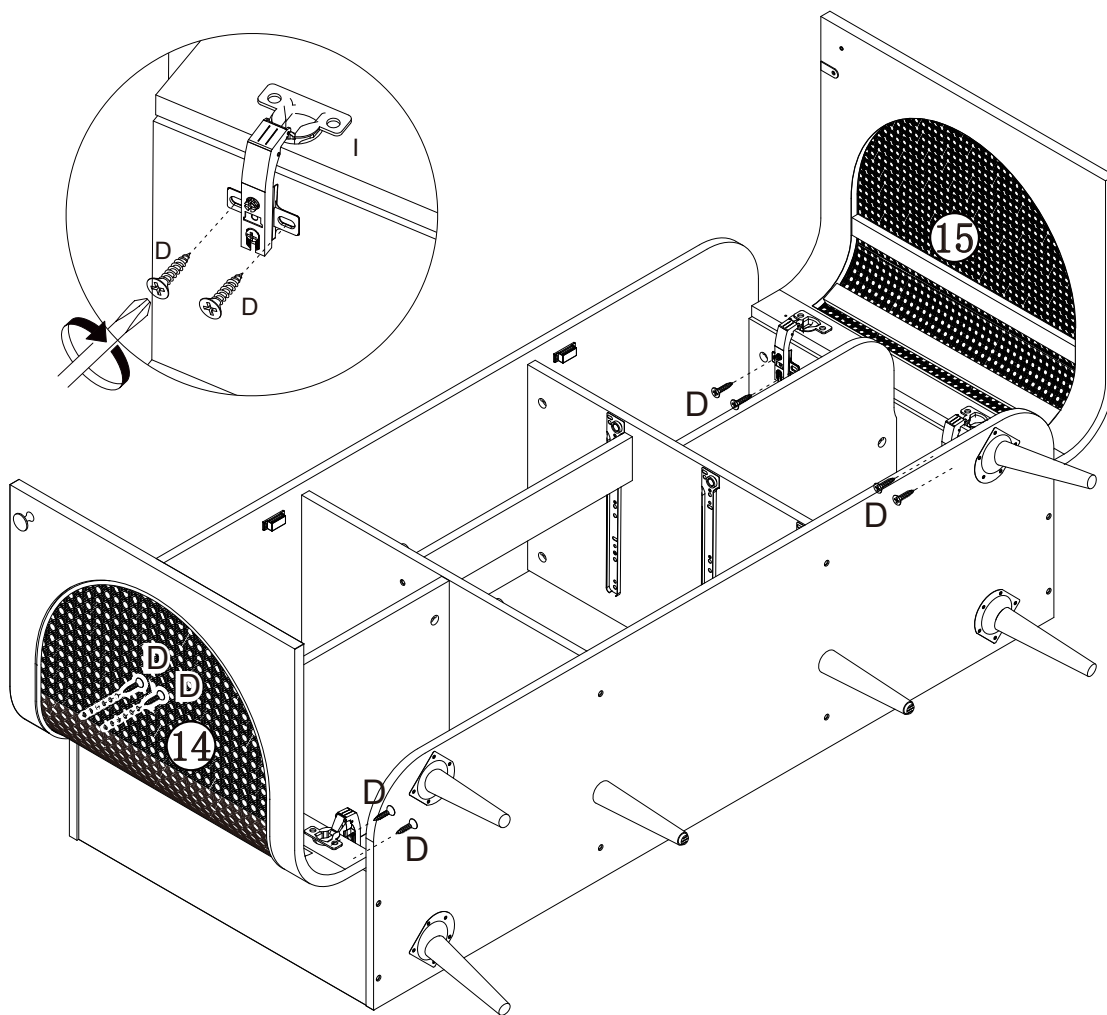


J x 2



Q x 2

**STEP 15**



For this step:

**Tools required**

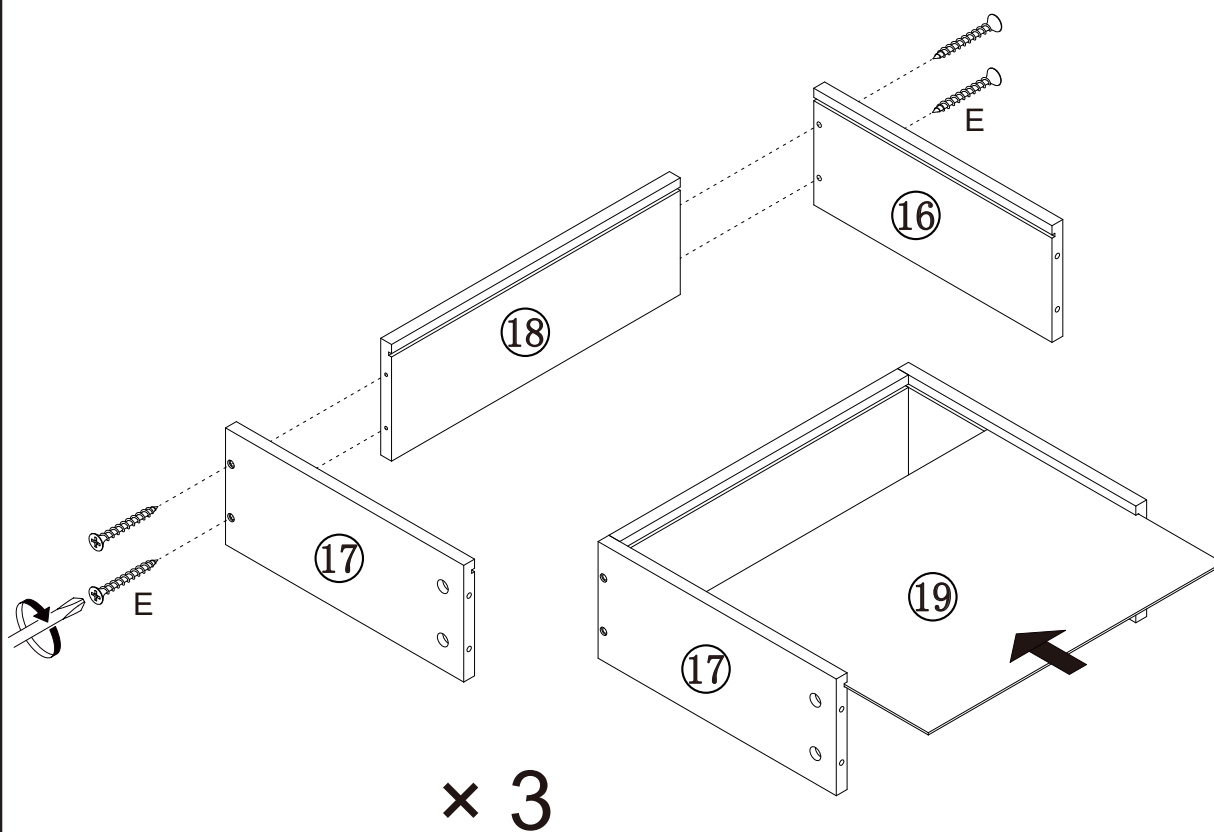


**Fittings required**



D x 8

**STEP 16**

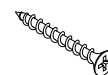


For this step:

**Tools required**

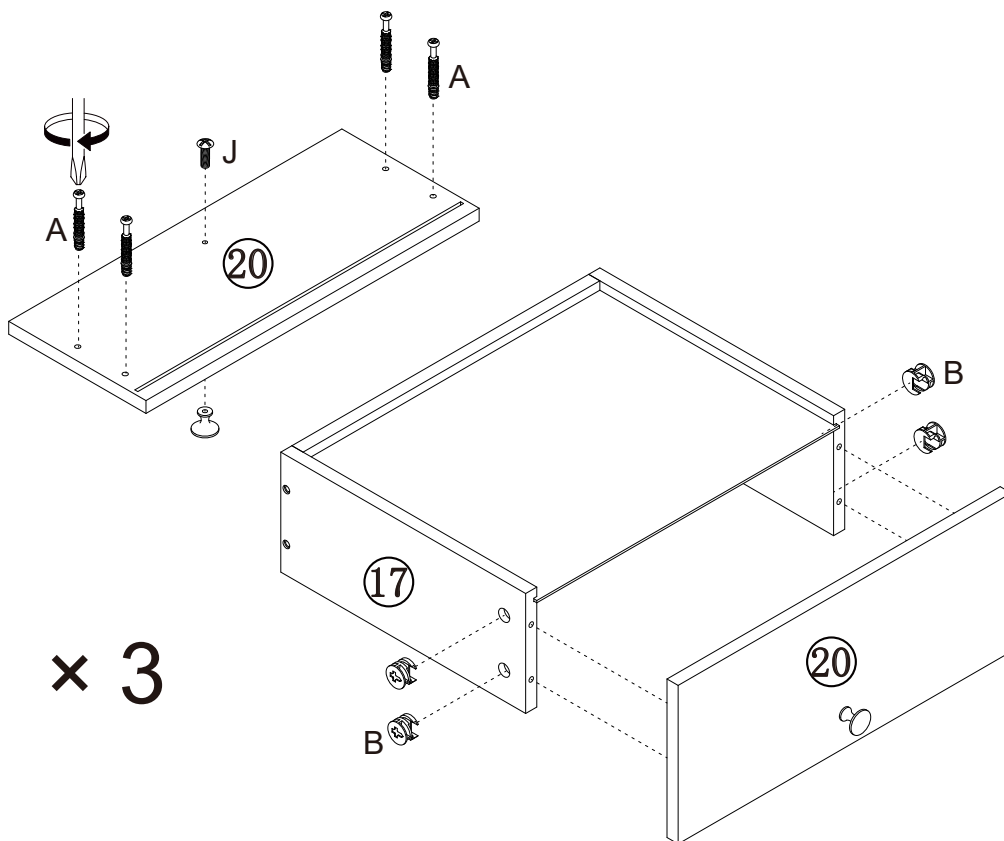


**Fittings required**



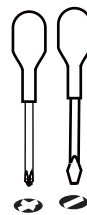
E x 12

**STEP 17**



For this step:

**Tools required**



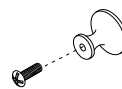
**Fittings required**



A x 12

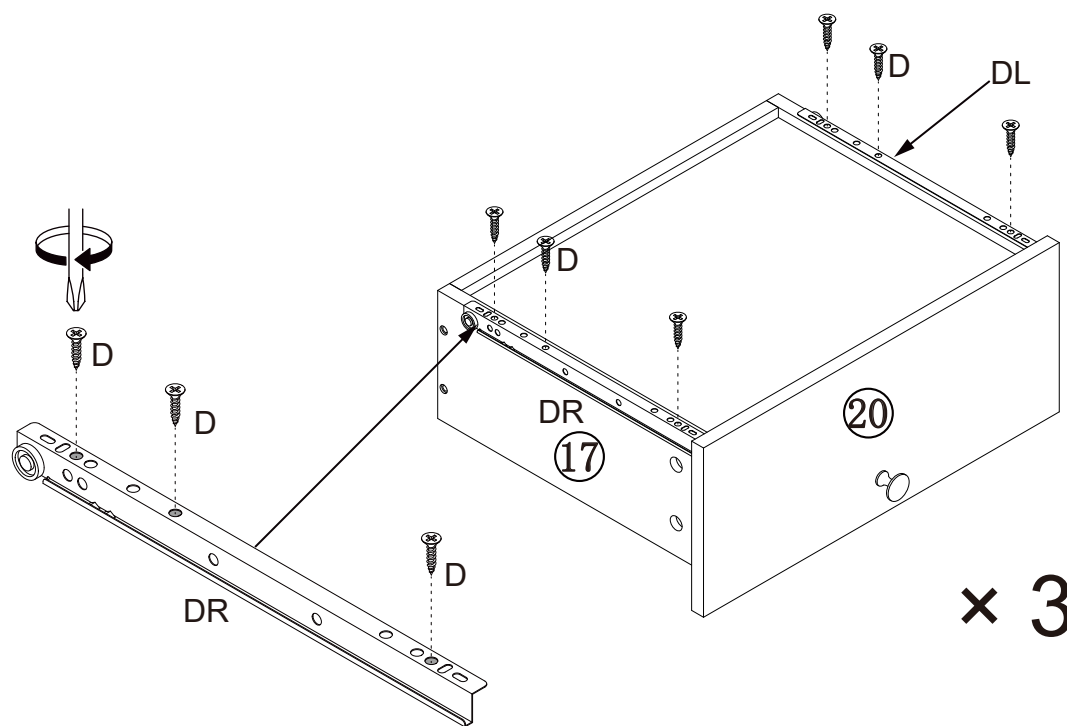


B x 12



J x 3

**STEP 18**



For this step:

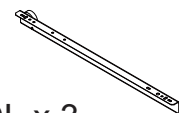
**Tools required**



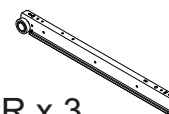
**Fittings required**



D x 18

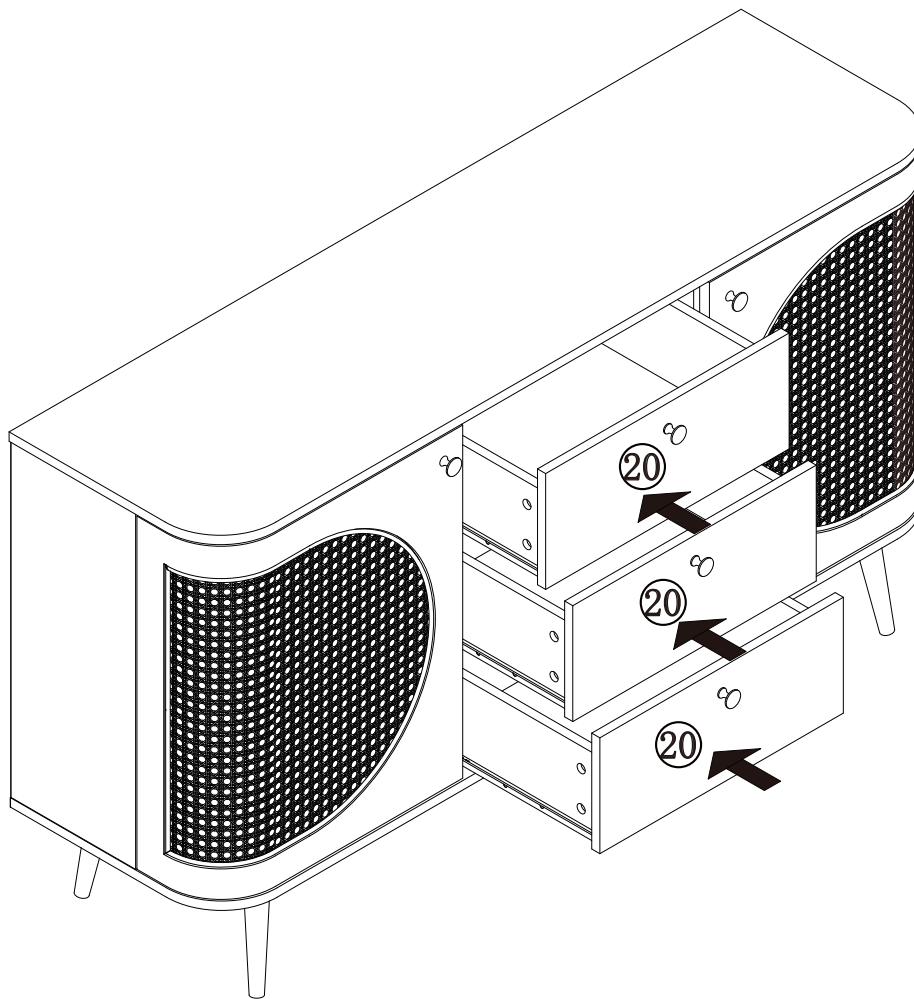


DL x 3



DR x 3

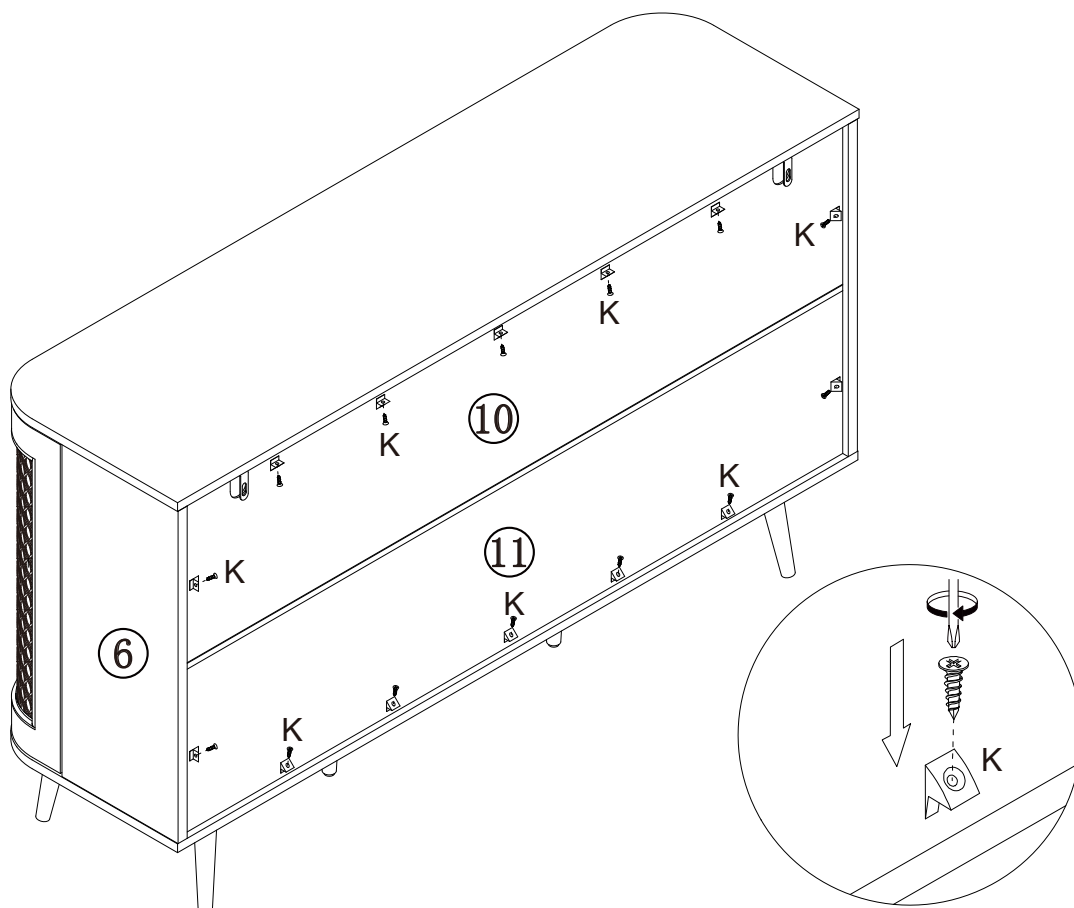
**STEP 19**



For this step:  
**Tools required**

**Fittings required**

**STEP 20**



For this step:  
**Tools required**

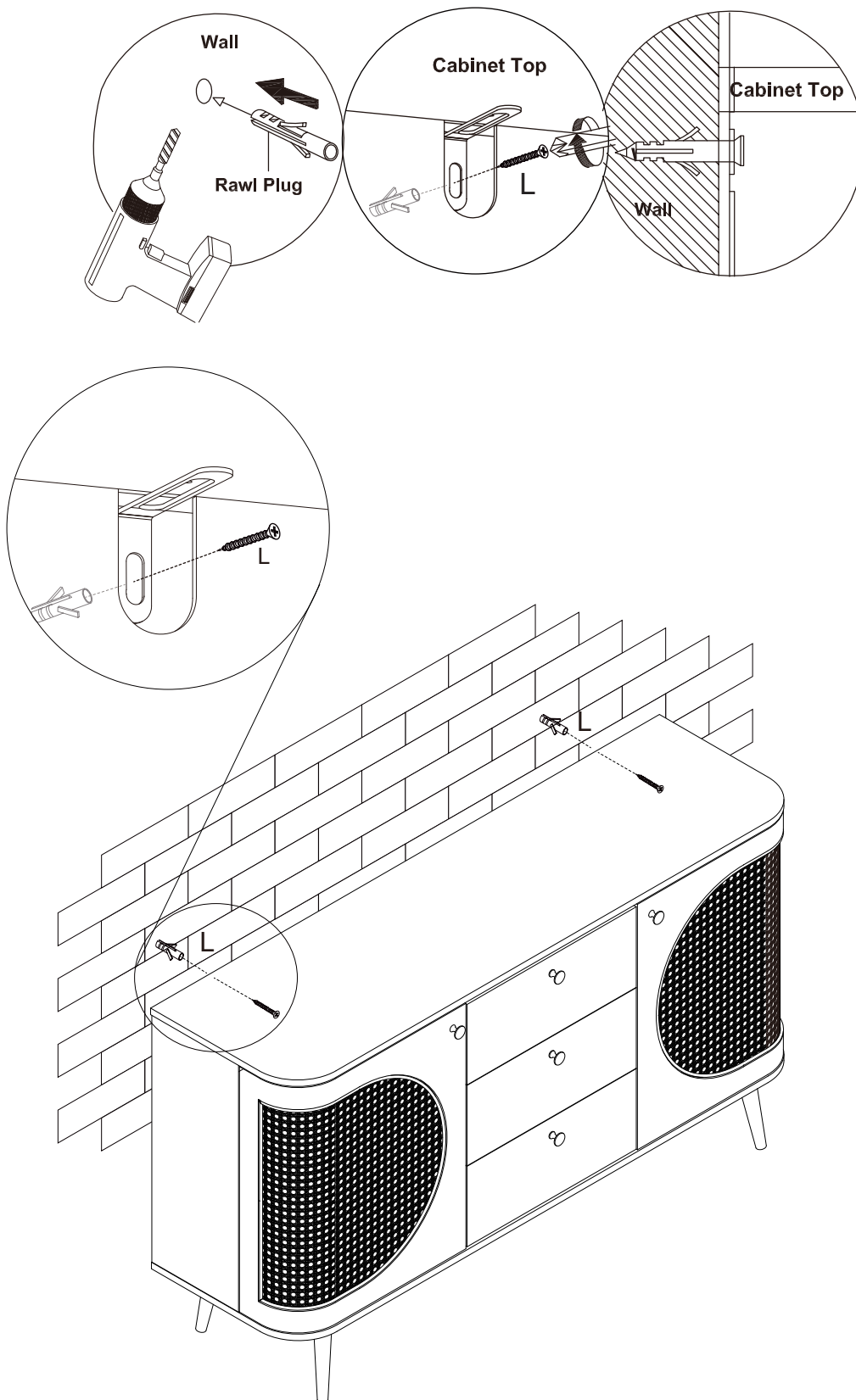


**Fittings required**



**K x 14**

**STEP 21**

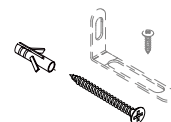


For this step:

**Tools required**



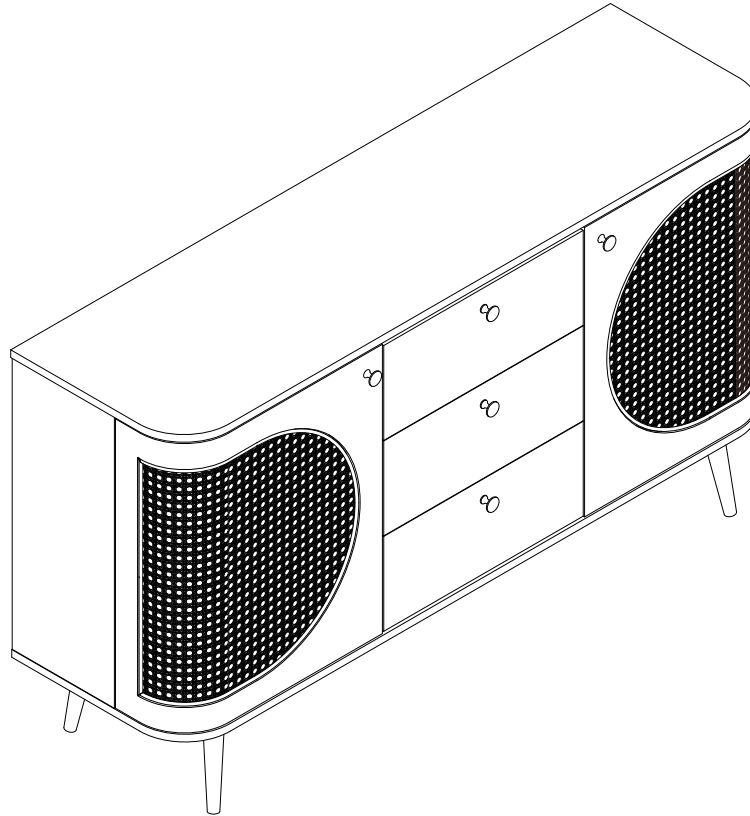
**Fittings required**



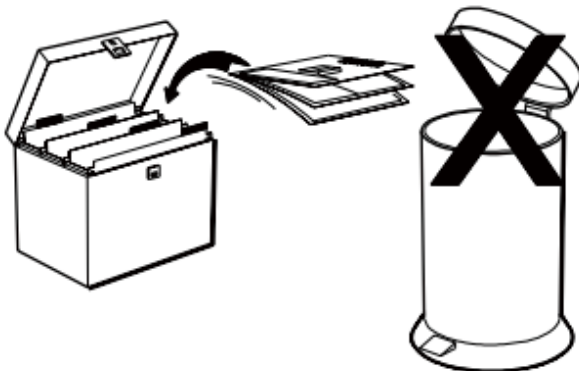
L x 2

## Assembly Completed

Your SORREL RATTAN LARGE SIDEBOARD is now completely assembled.  
Periodically check to ensure that the components are in their proper position, free from damage.  
Also, make sure the connectors are tight and secure.



**Keep instructions for future reference**



Represented by:  
Authorised Rep Compliance Ltd  
71 Lower Baggot Street  
Dublin  
D02 P593  
Ireland  
[www.arccompliance.com](http://www.arccompliance.com)

Supplied by:  
GFW The Furniture Warehouse  
Waterside Distribution Centre  
Waterside Business Park  
Johnson Road  
Lancashire  
BB3 3RT  
[www.gfwlimited.co.uk](http://www.gfwlimited.co.uk)