





# Assembly Instruction

ITEM NO.3023

Left Hand Facing Chaise

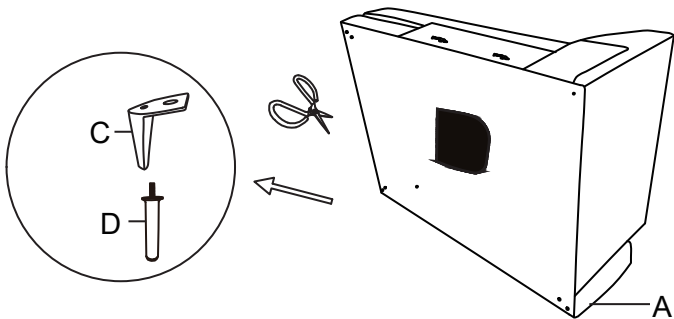
NOTE:Do not use power tools for assembly. Power tools increase the risk of over tightening which lead to splitting or cracking the wood.

## PART LIST

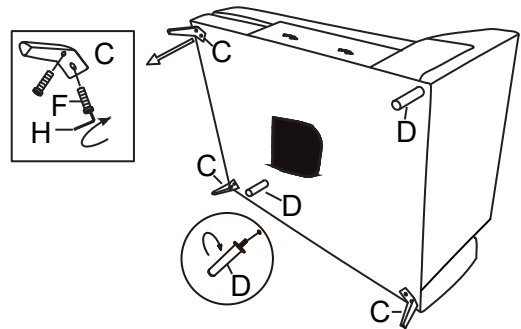
NO.	DRAWING	QTY	DESCRIPTION
A		1	Left chaise
B		1	Back rest
C		3	Leg
D		2	Leg

# Please follow the drawings below to assemble the item

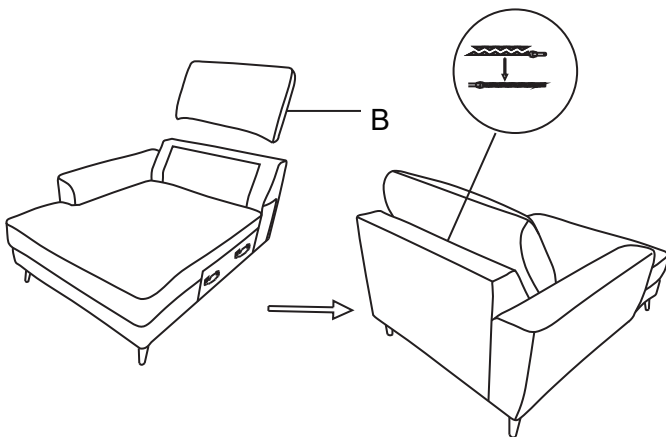
Step 1: Tilt the chaise to the side, Take the legs (D),(C) out of the compartment under the chaise.



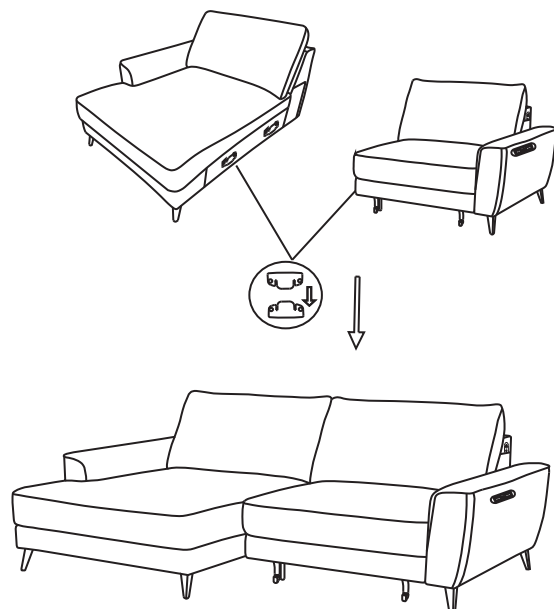
Step 2: Fasten the leg with the screws, screws take out from the right seat.



Step 3: Place the back cushion on the chair, pull up and close the zipper between the cushion and back frame.



Step 4: Please connect and hook each piece as shown in drawing.



Avoid exposing furniture directly to sunlight or heating and air conditioning outlets. Exposure to sunlight or heating and air conditioning outlets will fade/damage fabric.



Wipe gently with a damp soft cloth to remove dust, dirt and any grime buildup.



For items use on wooden floor, hard surfaces or carpets, it is recommended to install protective pads under all legs and supports to avoid/prevent from damages/scratches and discoloration.