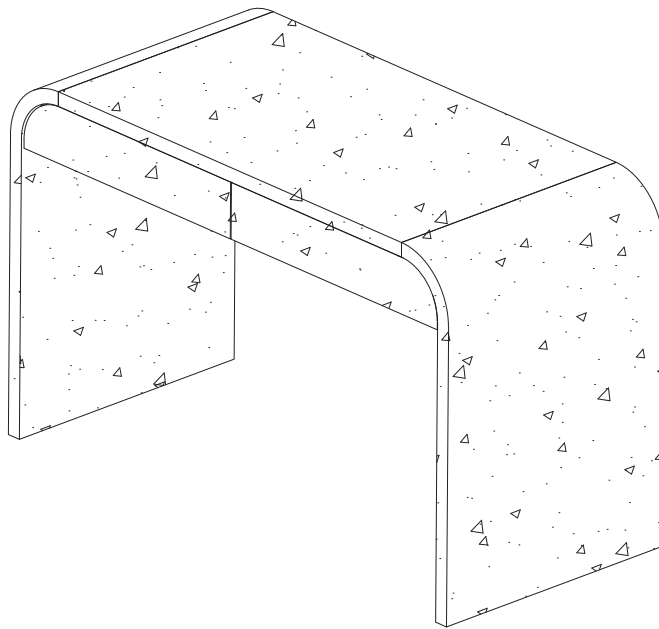



Seana Desk

Assembly & Care Instructions



Getting Started.





1. Check you have received all parts listed on the component and hardware pages and the correct quantity of each. Beware that sometimes parts are packaged within the product so not immediately visible after opening. Please check the assembly section for more details. If anything is missing, stop assembling the product and contact our customer service team.
2. Check all parts are intact and undamaged. Any issues, stop assembling the product and contact our customer service team.
3. Check you have the right tools for the job. Required tools which are not provided are listed below. If you are unsure of how to use these tools, please contact a professional tradesperson. We recommend Airtasker as an easy way to find trades people in your local area.

Tools required which are not included		
Cross head screwdriver		
		

Safety advice.

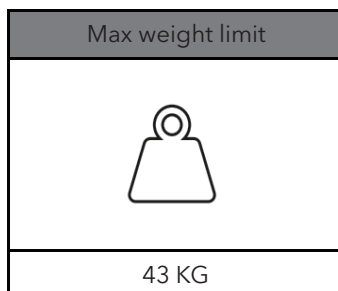
Dear Customer

- **IMPORTANT** – The first step you need to take is to ensure your safety! Please take the time to read and understand these instructions before assembling the product.
- Please keep these instructions for future reference.
- This item is intended for indoor use only – unless otherwise specified. Avoid exposure to humid conditions.
- Assembly to be carried out by a competent adult only.
- During assembly children should be kept away from the product due to possible risk of injury. The product may contain small parts that could also cause choking if swallowed.
- Products can be dangerous if incorrectly installed or assembled. Assembly should be carried out by a competent person and instructions followed. No liability will be accepted for damage or injury caused by incorrectly installed or assembled products.
- Never use an electric drill to assemble a product, as this can cause damage to parts.
- Regularly check all fastenings to ensure that they are properly tightened.
- Restrain children from climbing or playing on or around the product. Always consider where products are positioned to ensure children cannot get access to long cords or windows.
- Some products will be supplied with anti – tip kits which should always be used to secure the product to the wall and prevent tipping.
- Keep all plastic wrapping materials away from babies and children to avoid danger of suffocation.
- Ensure that all packaging is disposed of carefully and responsibly. Please recycle where possible.
- Once items are part or fully assembled, they are not returnable unless faulty.

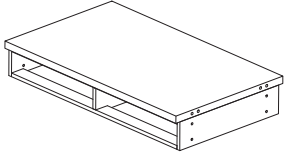
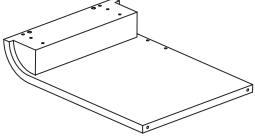
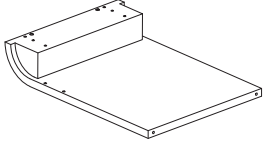
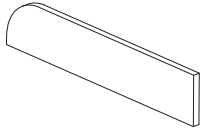
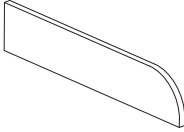
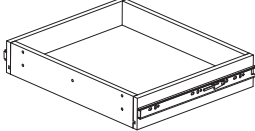
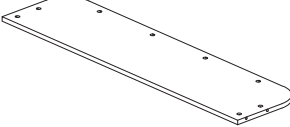
Max weight limit	No. of people to assemble	Assembly difficulty	Time to assemble
			
43 KG	2 recommended	Moderate	<1 hours

Dear Customer

- Please keep these instructions for future reference.
- This item is intended for indoor use only – unless otherwise specified. Avoid exposure to humid conditions.
- Check all parts are intact and undamaged. Any issues please contact our customer service team.
- Restrain children from climbing or playing on or around the product. Always consider where products are positioned to ensure children cannot get access to long cords or windows.
- Some products will be supplied with anti – tip kits which should always be used to secure the product to the wall and prevent tipping.
- Keep all plastic wrapping materials away from babies and children to avoid danger of suffocation.
- Ensure that all packaging is disposed of carefully and responsibly. Please recycle where possible.



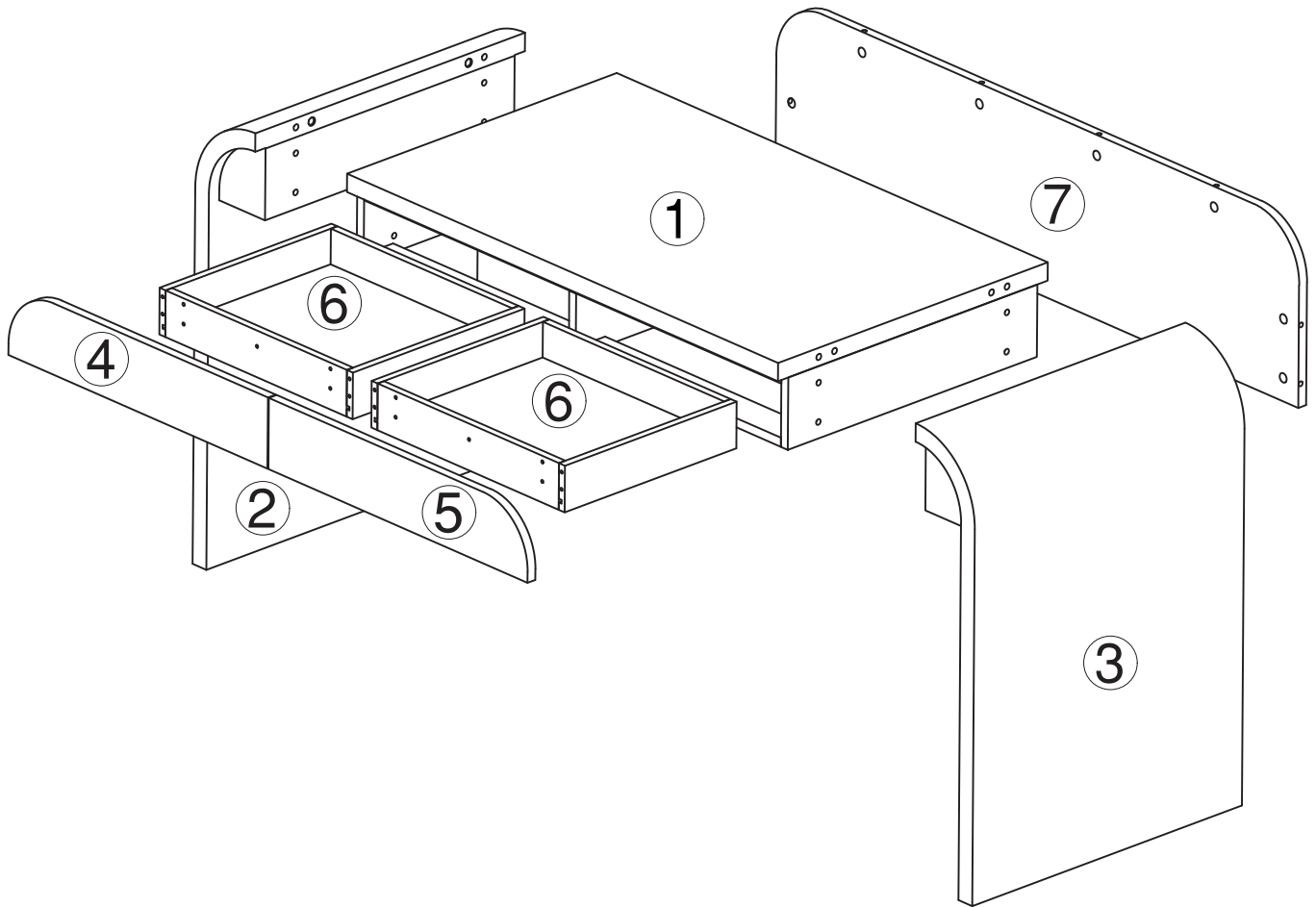
Parts supplied.

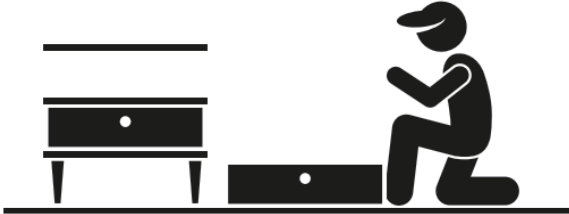
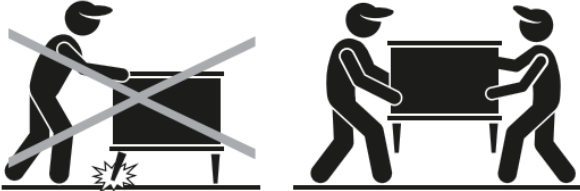
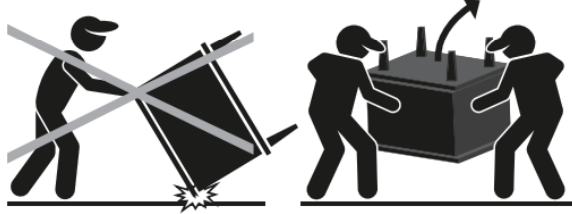
Ref	Part	Visual	Qty
1	Desktop top		1
2	Right frame		1
3	Left frame		1
4	Left drawer panel		1
5	Right drawer panel		1
6	Drawer box		2
7	Back panel		1

Hardware supplied.

Ref	Hardware & dimension(mm)	Qty	mm	10	20	30	40	50	60	70	80	90	100
A	Wood dowel Ø6 x 30 mm	8											
B	Wood dowel Ø10 x 40 mm	4											
C	Cam bolt Ø6 x 40 mm	8											
D	Large cam lock Ø15 x 12 mm	8											
E	Handle screw Ø5/32" x 7/8"	10											
F	Bolt Ø5/16" x 100 mm	4											
G	Half moon washer Ø5/16"	4											
H	Nut Ø5/16"	4											
I	Bolt Ø1/4" x 1-1/2"	8											
J	Spring washer Ø1/4"	8											
K	Flat washer Ø1/4" x 16mm	8											

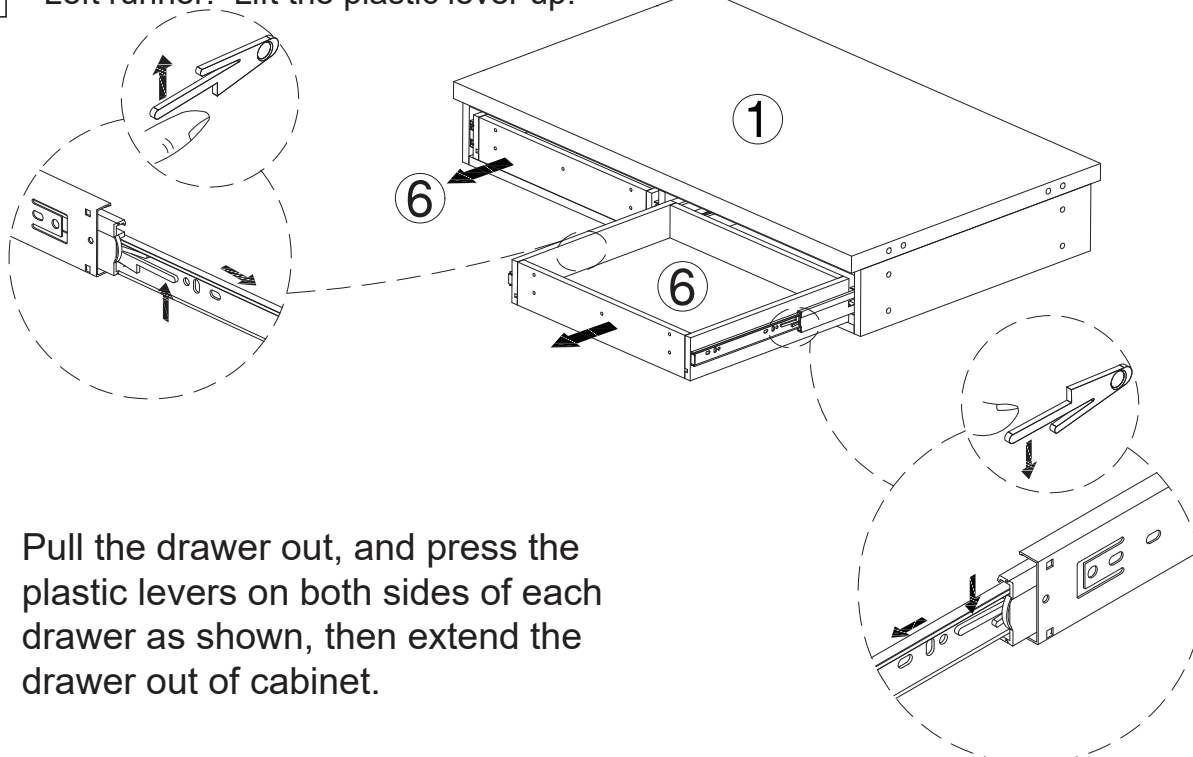
Ref	Visual	Qty
L	Hexagonal wrench Ø5/16" 	1
M	Allen key Ø1/4" 	1



	<p>ALWAYS lay each panel down on a clean and level area, ideally in the room of intended use, ensuring there is enough room to maneuver around the item.</p>
	<p>NEVER pull furniture into place as this causes damage to the internal structure and feet fixings. Always lift to move.</p>
	<p>NEVER flip your upholstery allowing corners to hit the floor as structural damage can be caused. Always turn gently.</p>

1

Left runner: Lift the plastic lever up.

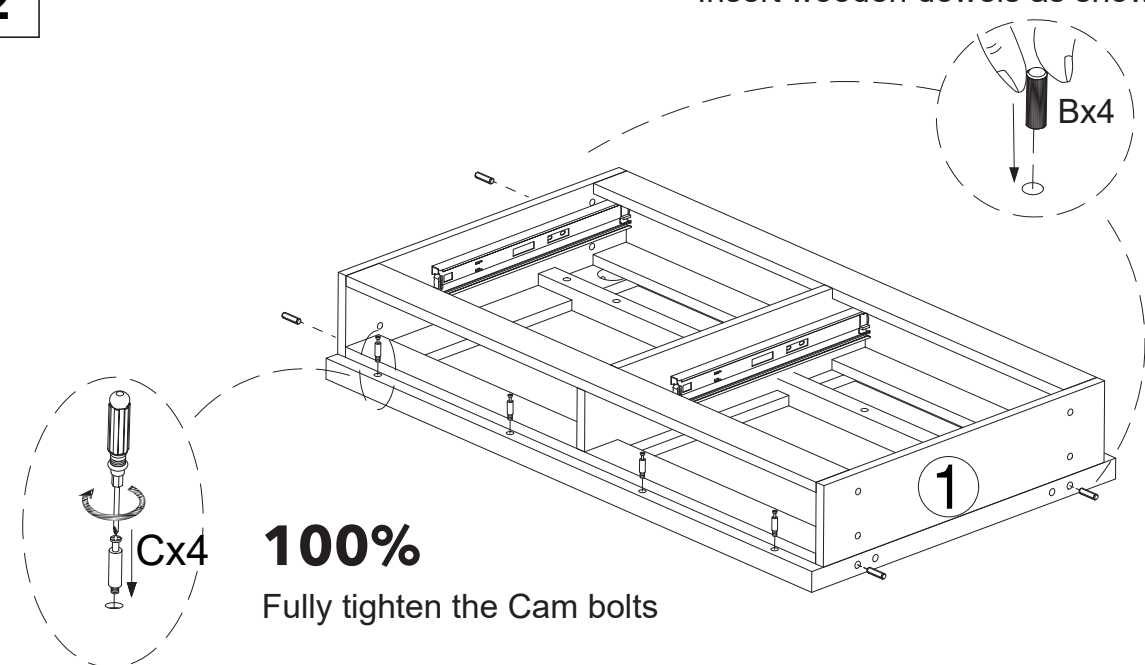


Pull the drawer out, and press the plastic levers on both sides of each drawer as shown, then extend the drawer out of cabinet.

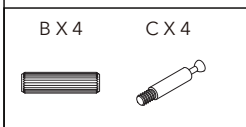
Right runner: Press down the plastic lever.

2

Insert wooden dowels as shown.

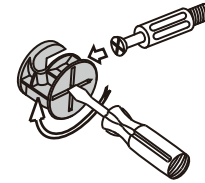


100%
Fully tighten the Cam bolts

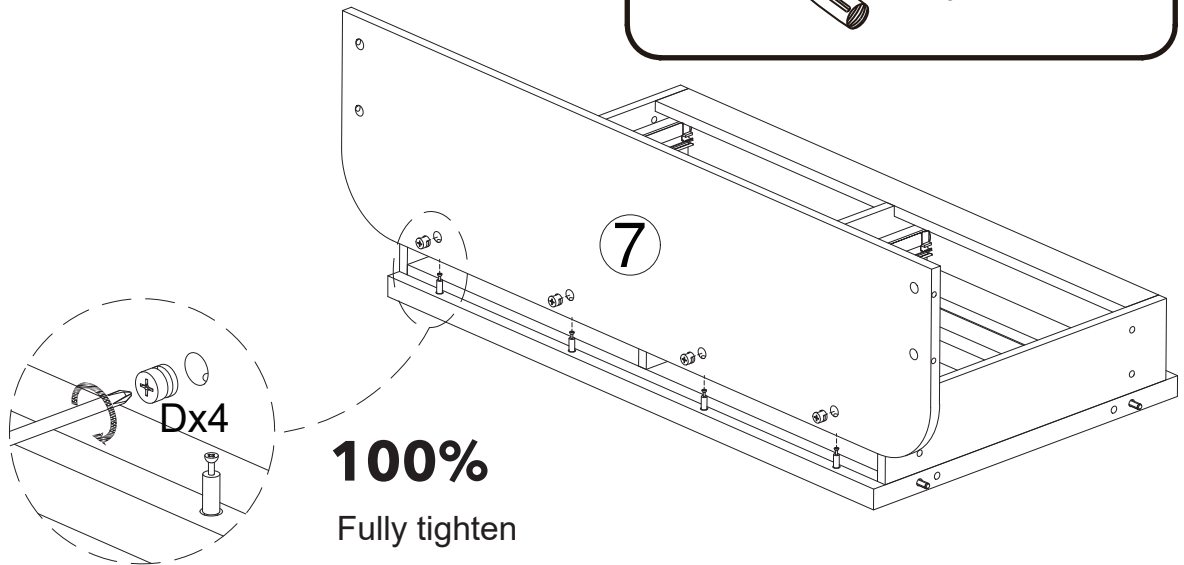


3

This is how a cam nut works.....



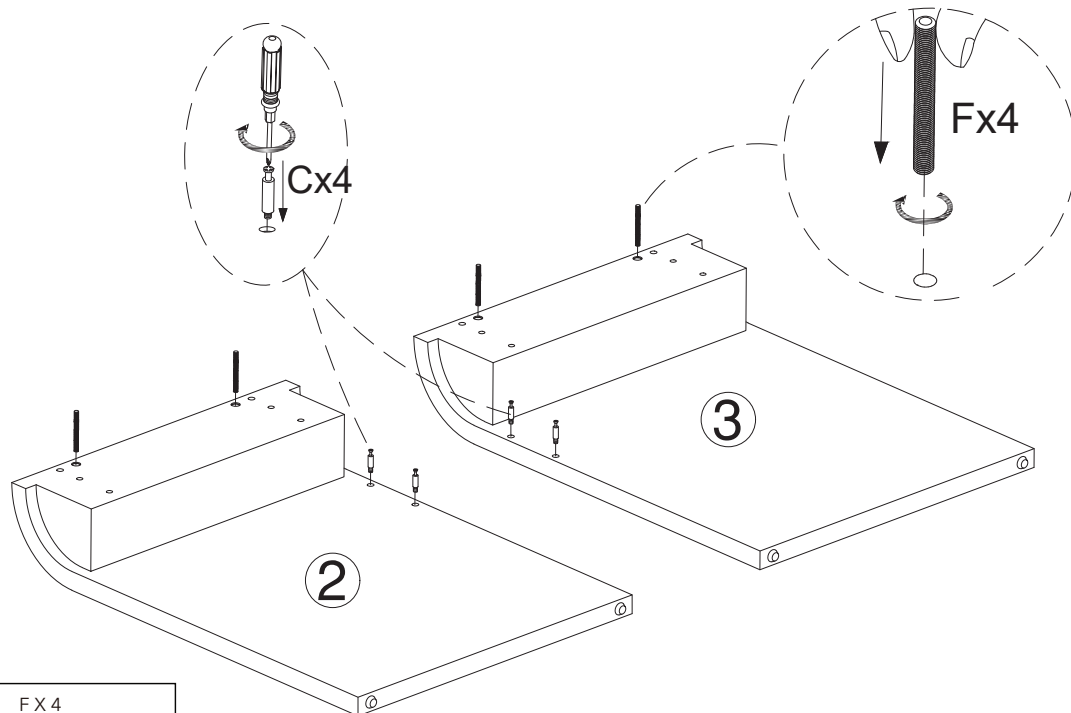
The head of the cam bolt goes into the open mouth of the cam nut. You then turn the cam nut so it tightens over the bolt.



DX 4



4



CX 4

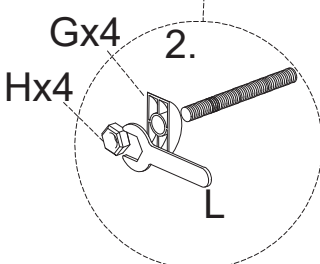
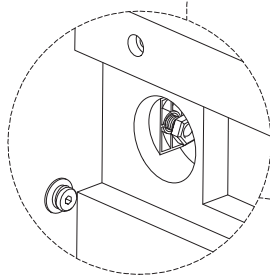
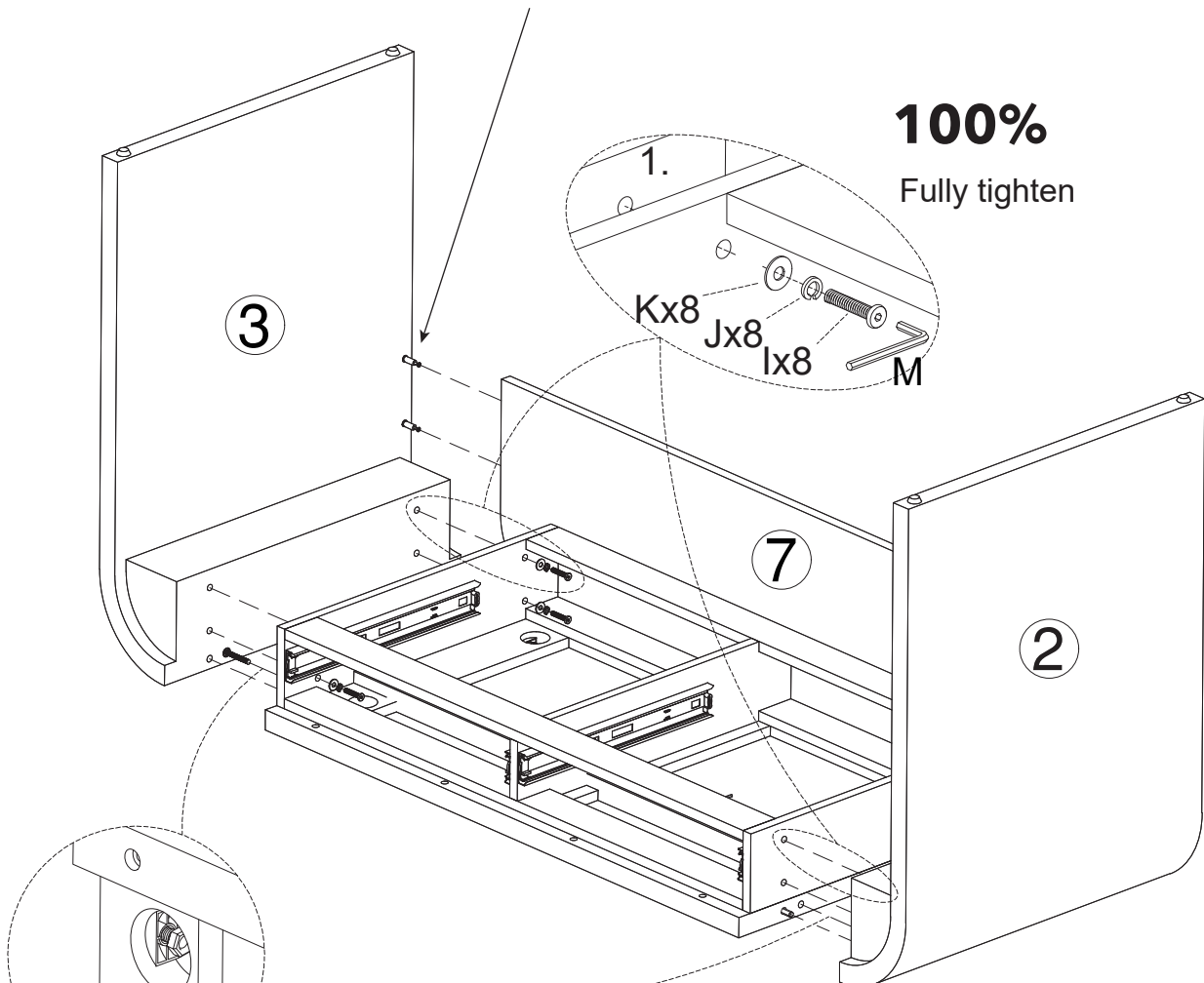
FX 4



5

Make sure 4 x cam bolts align into the holes on back panel 7.

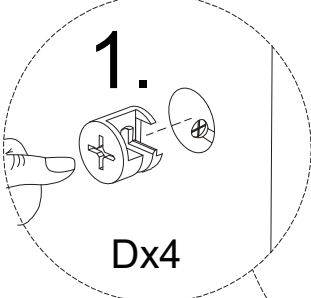
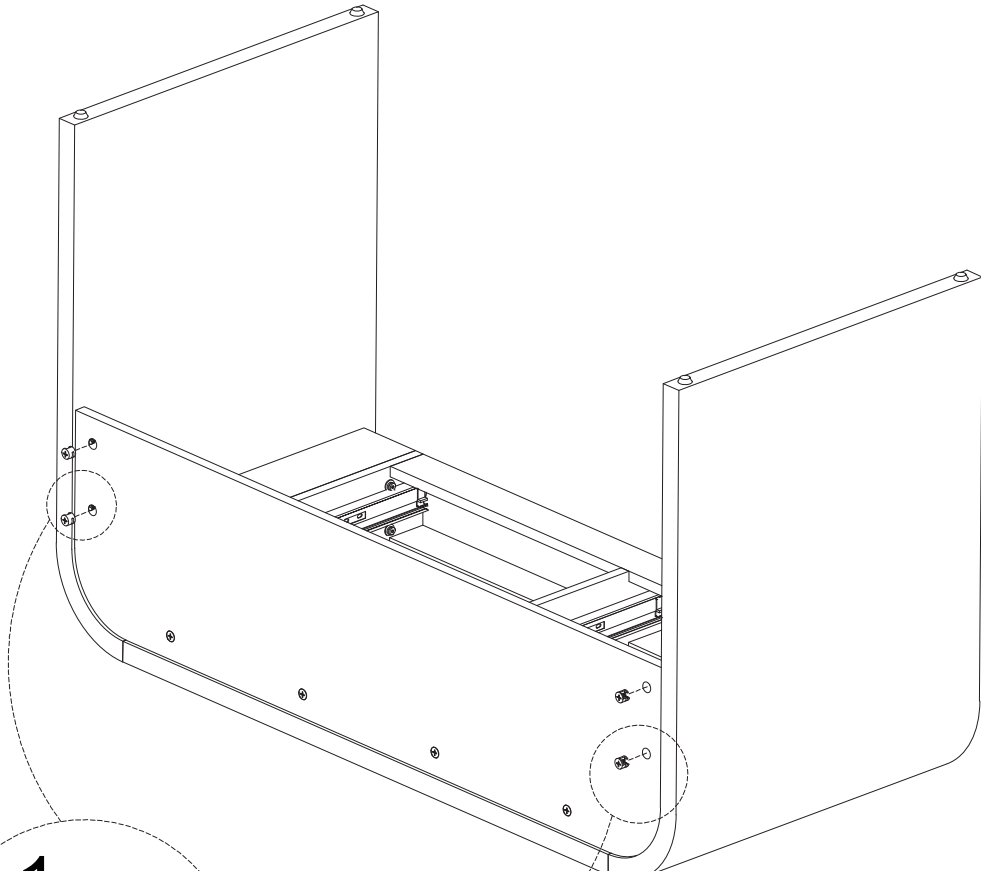
100%
Fully tighten



Insert half moon washers G into long bolts F, tighten nuts H with wrench L as shown.

I X 8	J X 8	K X 8	G X 4	H X 4	M X 1	L X 1

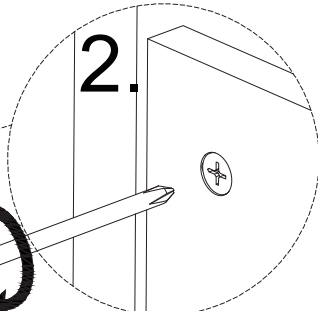
6



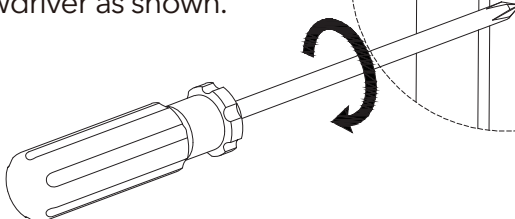
1.

Dx4

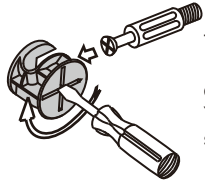
Insert cam locks D into holes on back panel, turn clockwise to lock with screwdriver as shown.



2.



This is how a cam nut works.....



The head of the cam bolt goes into the open mouth of the cam nut. You then turn the cam nut so it tightens over the bolt.

D X 4



7

Attach drawer panels onto drawer boxes.

Ex10

Ax8

4

5

6

A

L

E

EX 10 AX 8

8

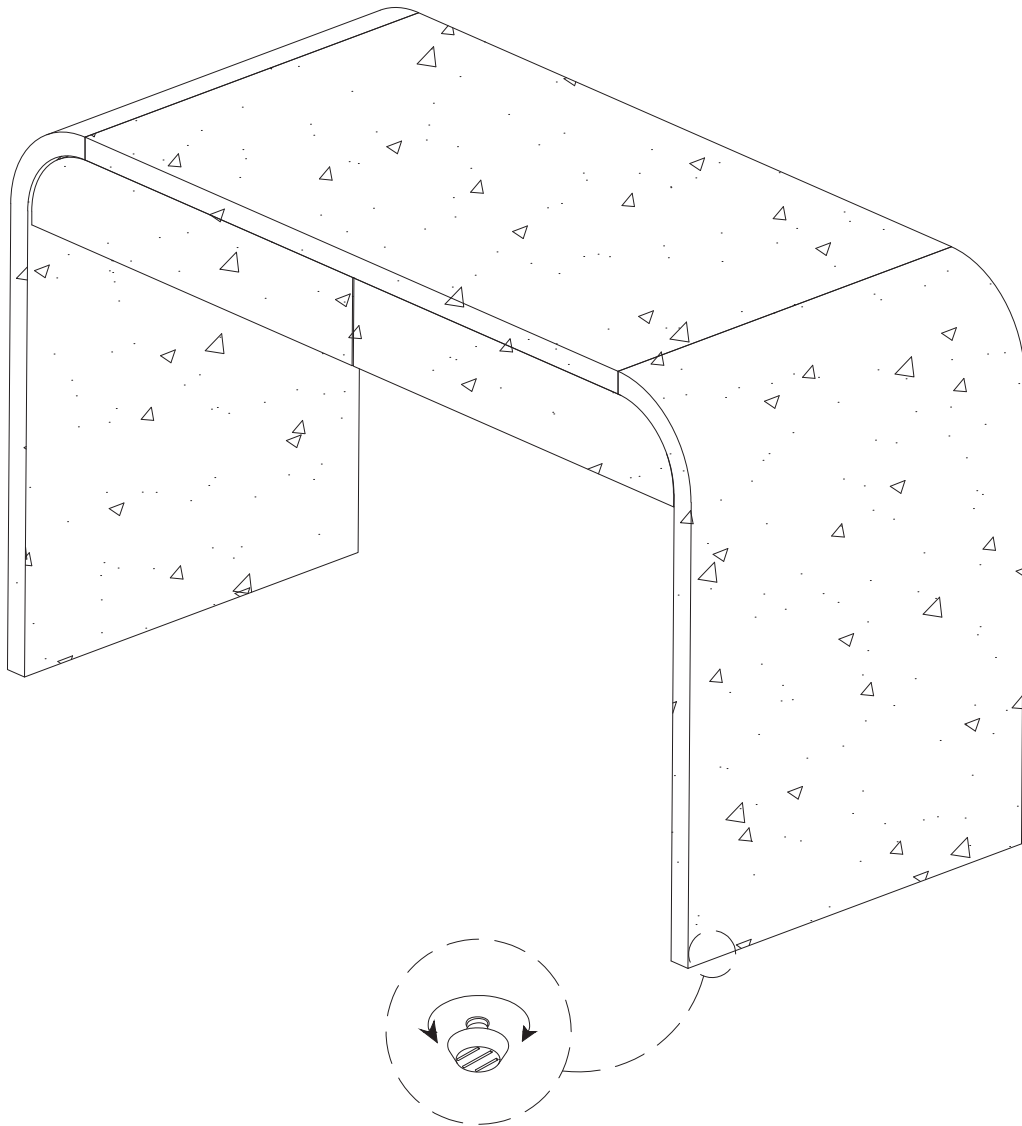
Move inner ball bearing tracks to front of runners.

Gently insert drawer slide runners into ball bearing tracks.

Move inner ball bearing tracks to front of runners.

Gently insert drawer slide runners into ball bearing tracks.

9



Note: The legs height can be adjusted with adjustable feet.

- Uneven floors could give the impression that doors are out of alignment or that the furniture is wobbly. Be aware of this and compensate, if necessary, by adjusting the hinges or packing a corner to level the item. Please refer to the assembly instructions and adjust accordingly.
- If your furniture becomes stained, scratched, chipped or suffers other damage, we recommend professional help is sought to restore it. Please contact our customer services line for recommended agents.
- **DO** move items such as ornaments or coasters around periodically to allow the colour to mellow evenly.
- **DO** use mats and coasters to protect the surface from heat, liquids, or items that may cause scratches.
- **DO** ensure plastic or felt feet protectors are securely fitted into place on the feet and legs to avoid scratches.
- **DO** check fittings and fixings from time-to-time and tighten when necessary. Stop using the product if still unstable after all screws and bolts are tightened.
- **DO NOT** drag your furniture when moving it as this can damage joints. Always lift furniture into place.

Timber Care

- Timber is a natural material and each piece is individual.
- Color may mellow over time and new items can vary in shade from items that you have purchased previously.
- **DO** only clean using a damp cloth and mild detergent. Aim to dust weekly with a soft, lint-free cloth or duster to prevent any build up of dirt.
- **DO** ensure the polish you are using is correct for your product and finish.
- **DO** avoid getting furniture wet when mopping floors. Always move out of the way when possible.
- **DO** patch test polishes or cleaning products on a small discreet area before applying across the whole unit.
- **DO** remove any spills immediately to avoid staining.
- **DO NOT** place directly in front of heat sources such as radiators or fires as timber can be affected by temperature and humidity which may cause cracking and warping.
- **DO NOT** place timber product in direct sunlight, as this will cause the colour to change quickly.

Customer service.

If you have any issues with this product, you can call our Customer Service team on:
0345 165 6565 Monday to Friday **9am to 5:00pm.**

Alternatively, you can contact our team by Live Chat on: **Dunelm.com**
Monday to Friday 8am - 8:30pm
Saturdays 8am - 5:30
pmSundays and bank holidays 9am - 4:30pm.



Manufactured in China for
Dunelm(Soft Furnishing)Ltd,LE7 1AD &
Dunelm(Soft Furnishings) Holdings Ltd.
Dublin D12WR25