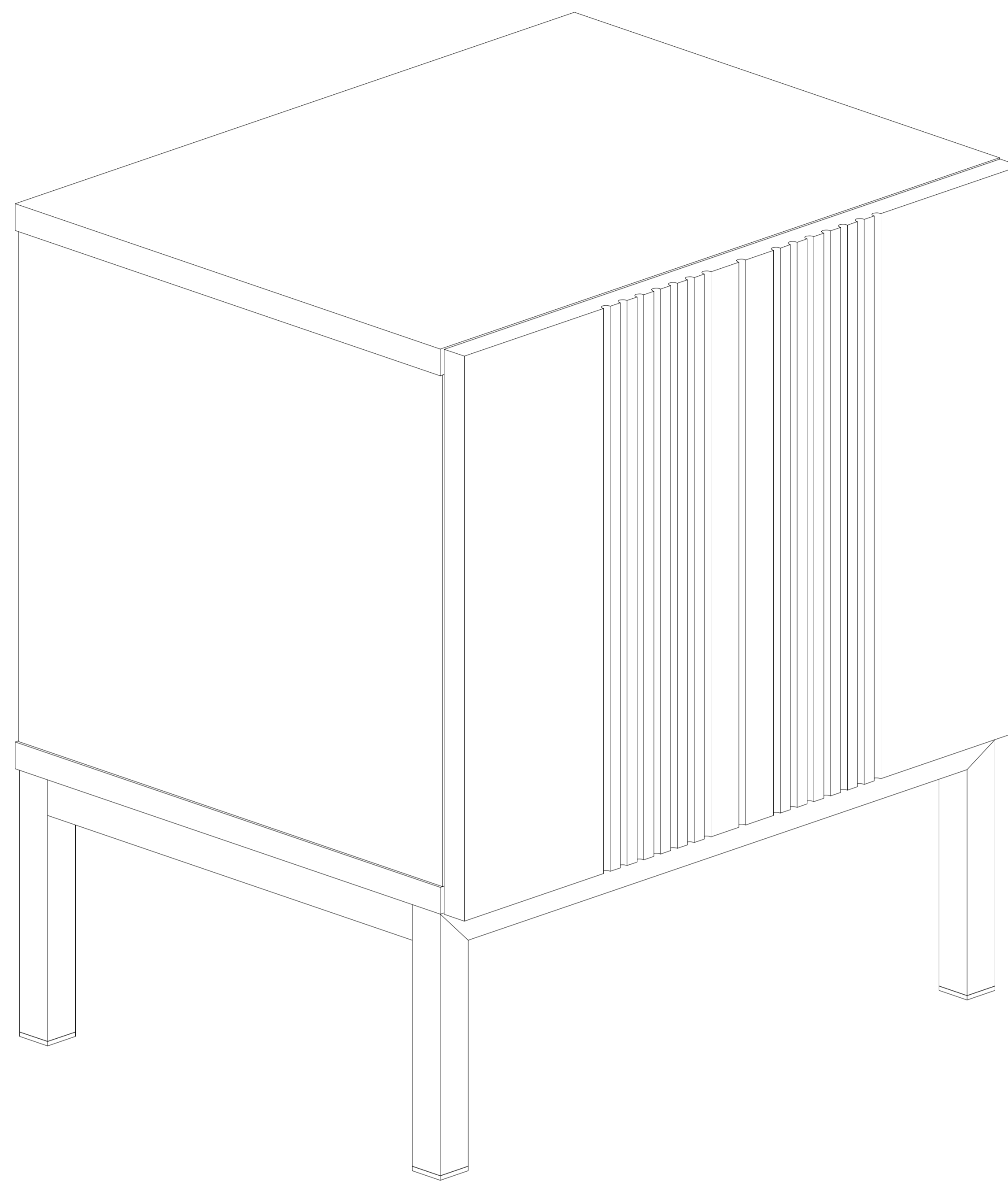




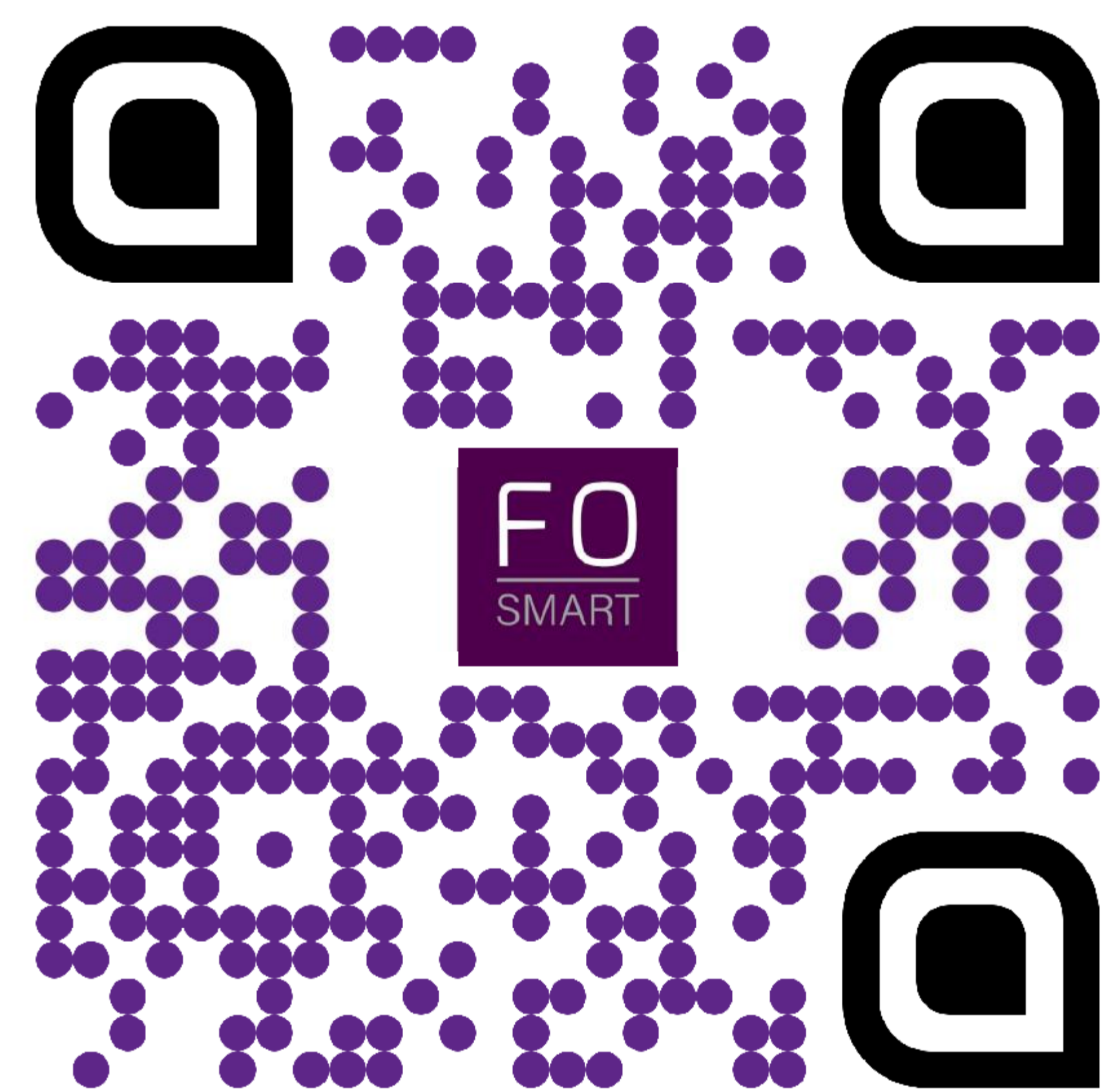
# Iona Lamp Table

## Assembly Instructions



### NOTE

We highly recommend watching the quick help & set up guide video first before assembling. Simply place a smart phone camera over the QR code for a quick link to the video.



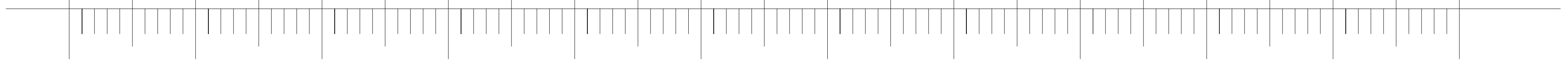
To watch assembly video :  
[www.frankolsenfurniture.co.uk](http://www.frankolsenfurniture.co.uk)

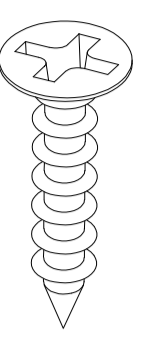
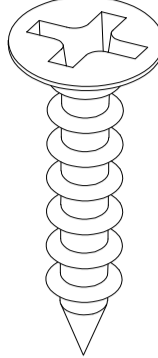
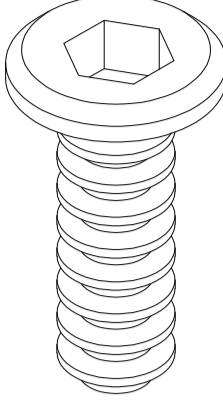
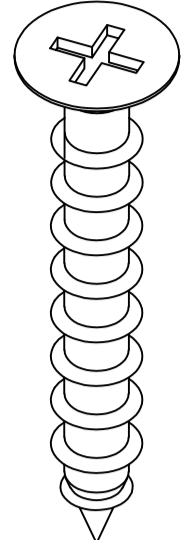
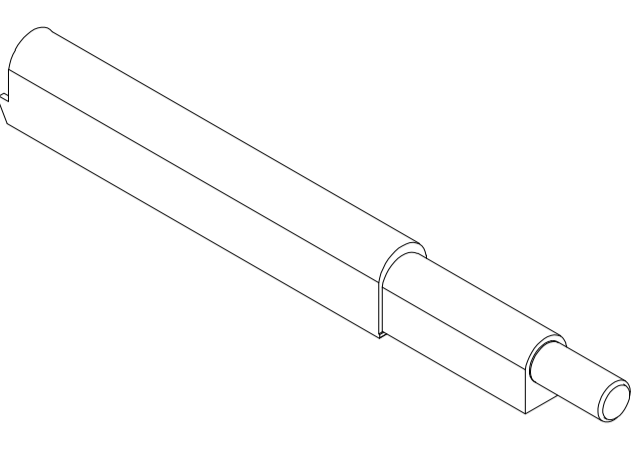
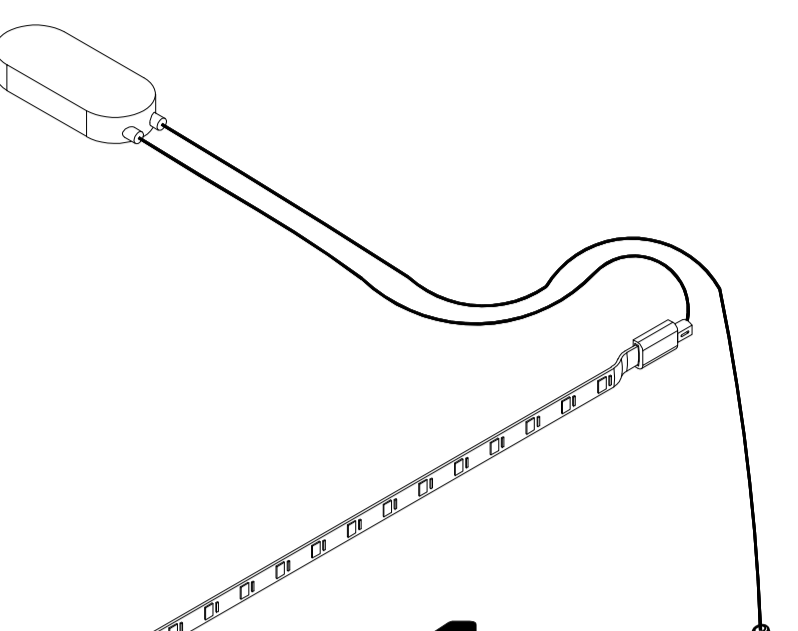
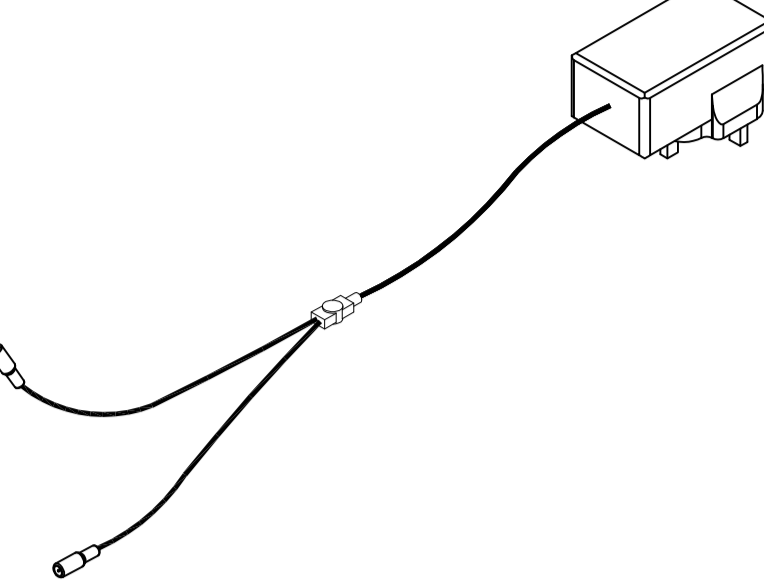
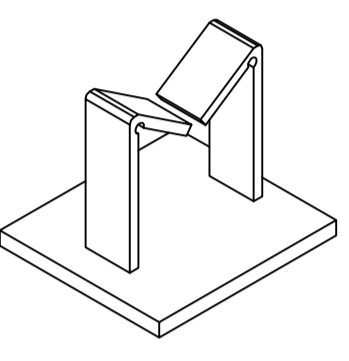
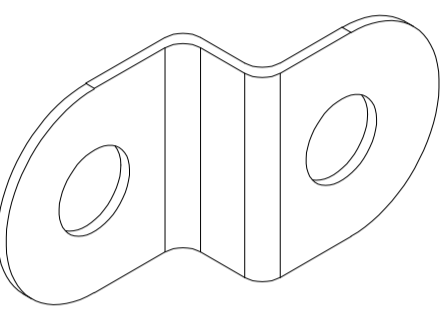
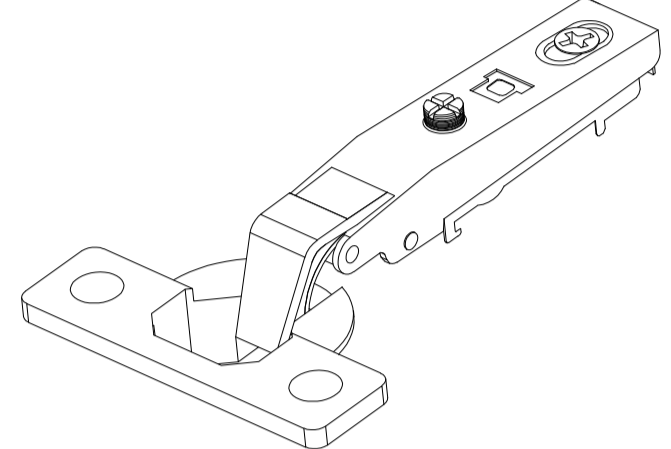
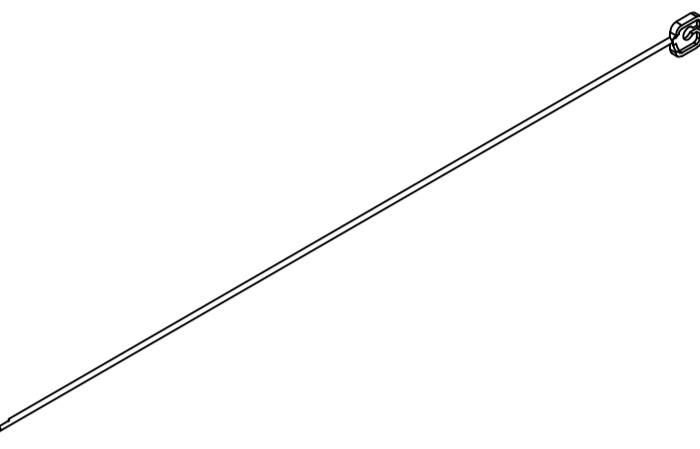
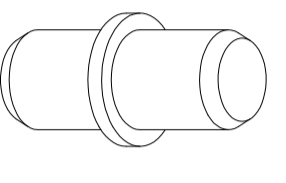
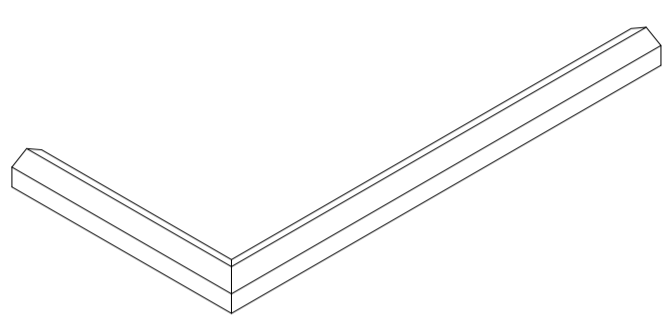
Download the Frank Olsen Smart app from :  
Google Play store or Apple store



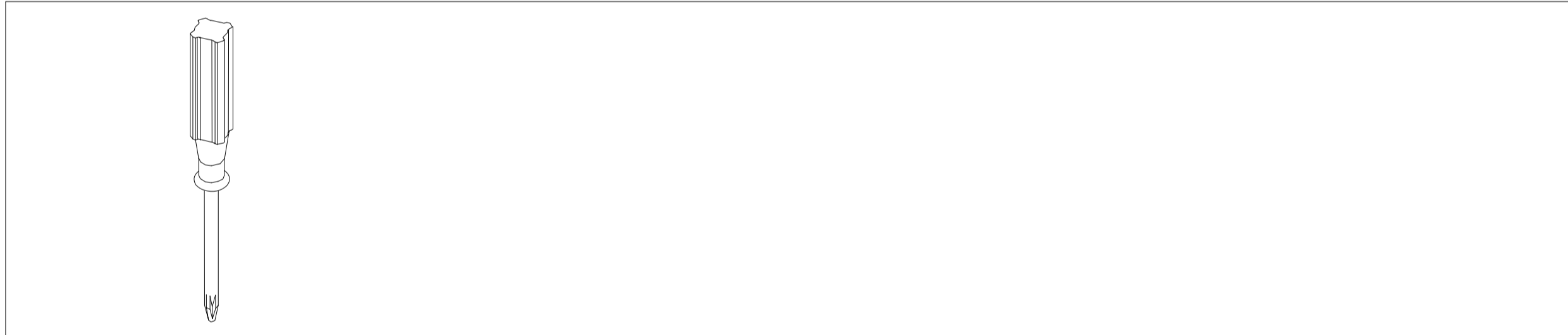
# HARDWARE

0 5 10 15 20 25 30 35 40 45 50 55 60 65 70 75 80 85 90 95 100 105 110 mm

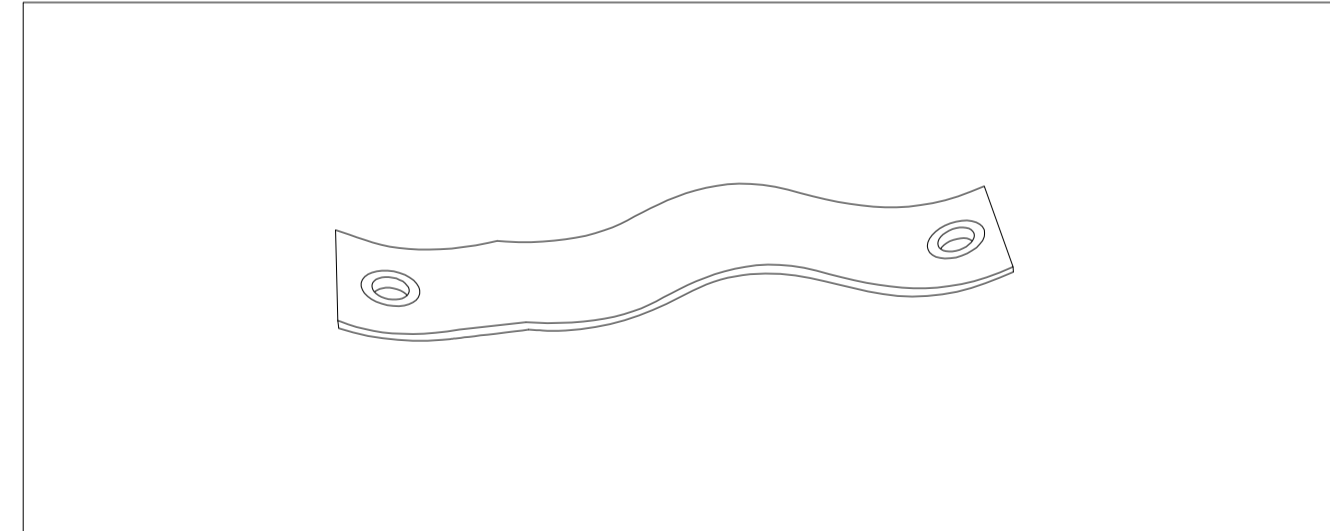


<b>A</b> M3*12  <b>x2</b>	<b>B</b> M3.5*14  <b>x8</b>	<b>C</b> M6*15  <b>x12</b>	<b>D</b> M4*25  <b>x4</b>	<b>E</b>  <b>x1</b>	<b>F</b> 0.3m  <b>x1</b>	<b>G</b>  <b>x1</b>
<b>H</b>  <b>x2</b>	<b>I</b>  <b>x2</b>	<b>J</b>  <b>x2</b>	<b>M</b>  <b>x2</b>	<b>N</b>  <b>x4</b>	<b>O</b>  <b>x1</b>	

## Tools Required-Not Supplied

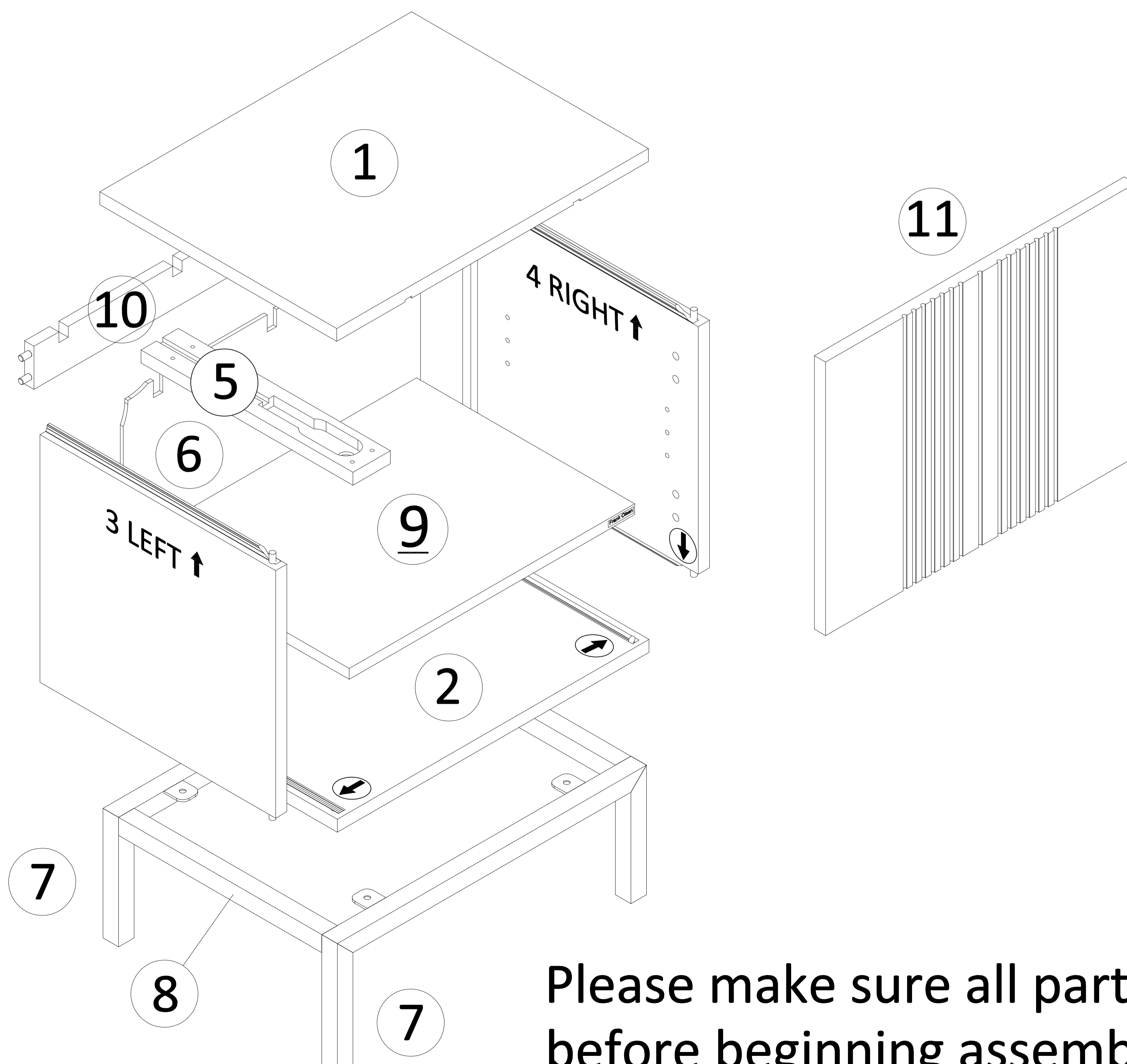


## Pre-fitted



# PARTS

**! WARNING**  
 CHOKING HAZARD  
 SMALL PARTS  
 PLEASE ASSEMBLE AWAY FROM  
 CHILDREN & PETS

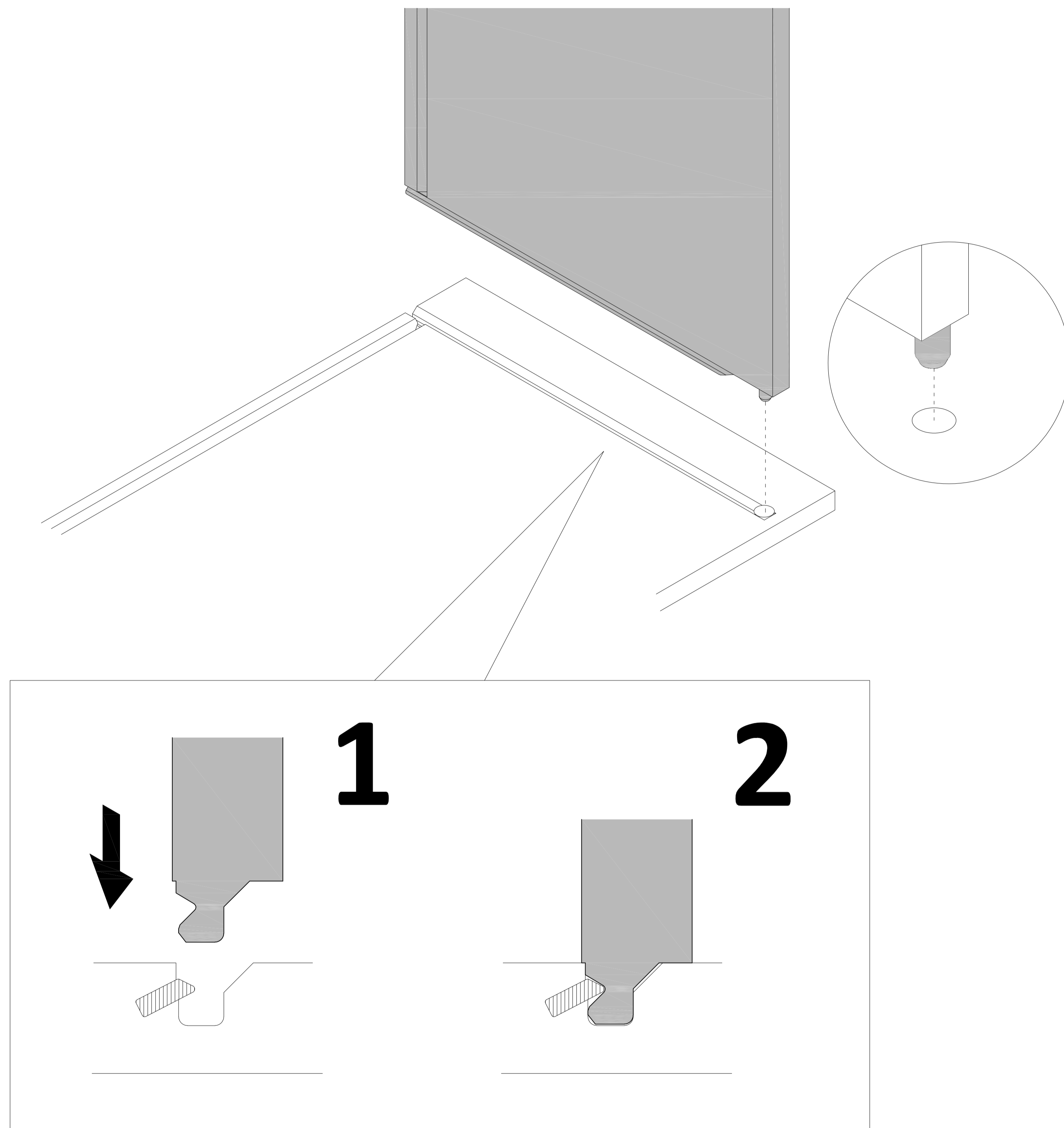


Please make sure all parts are present before beginning assembly.

# GUIDE

## Assembly Instructions

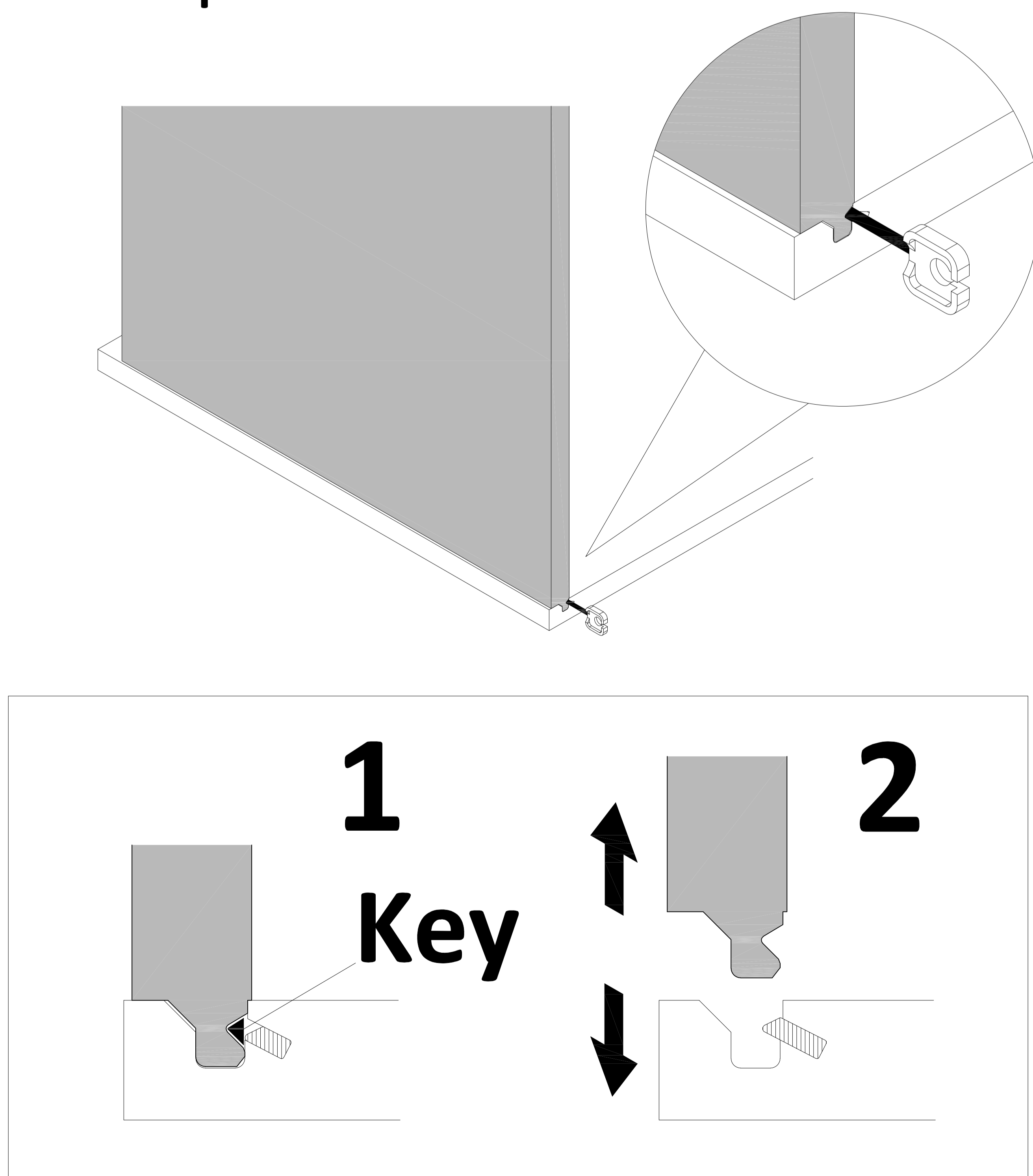
Ensure dowel is aligned with hole before pushing panel into groove



## Disassembly Instructions

Use Disassemble rod 'M' and gently slide in to the small triangle as shown below marked 'KEY'

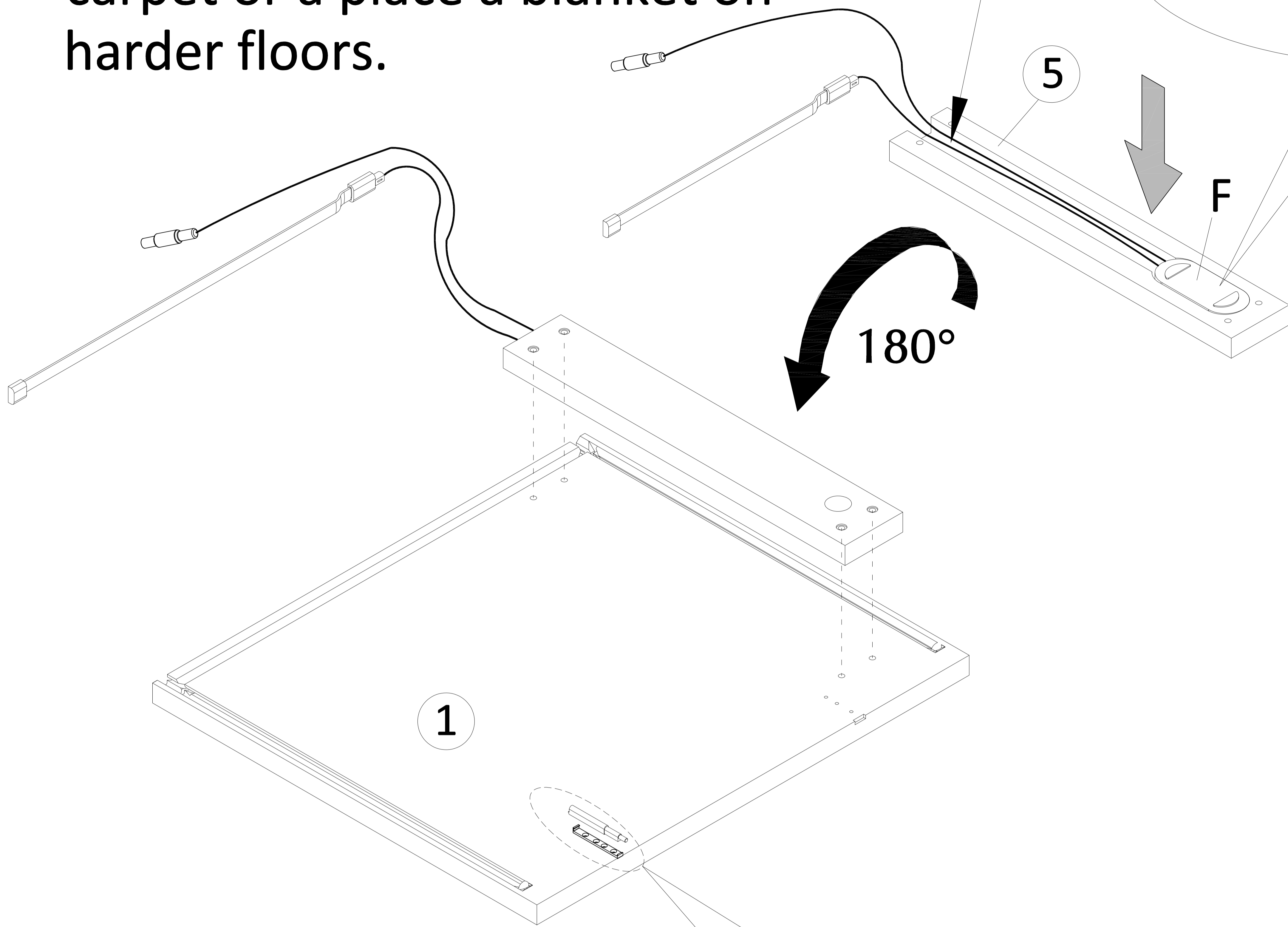
We highly recommend watching the quick help video before disassembling. Simply place a phone camera over the QR code below for a quick link to the video



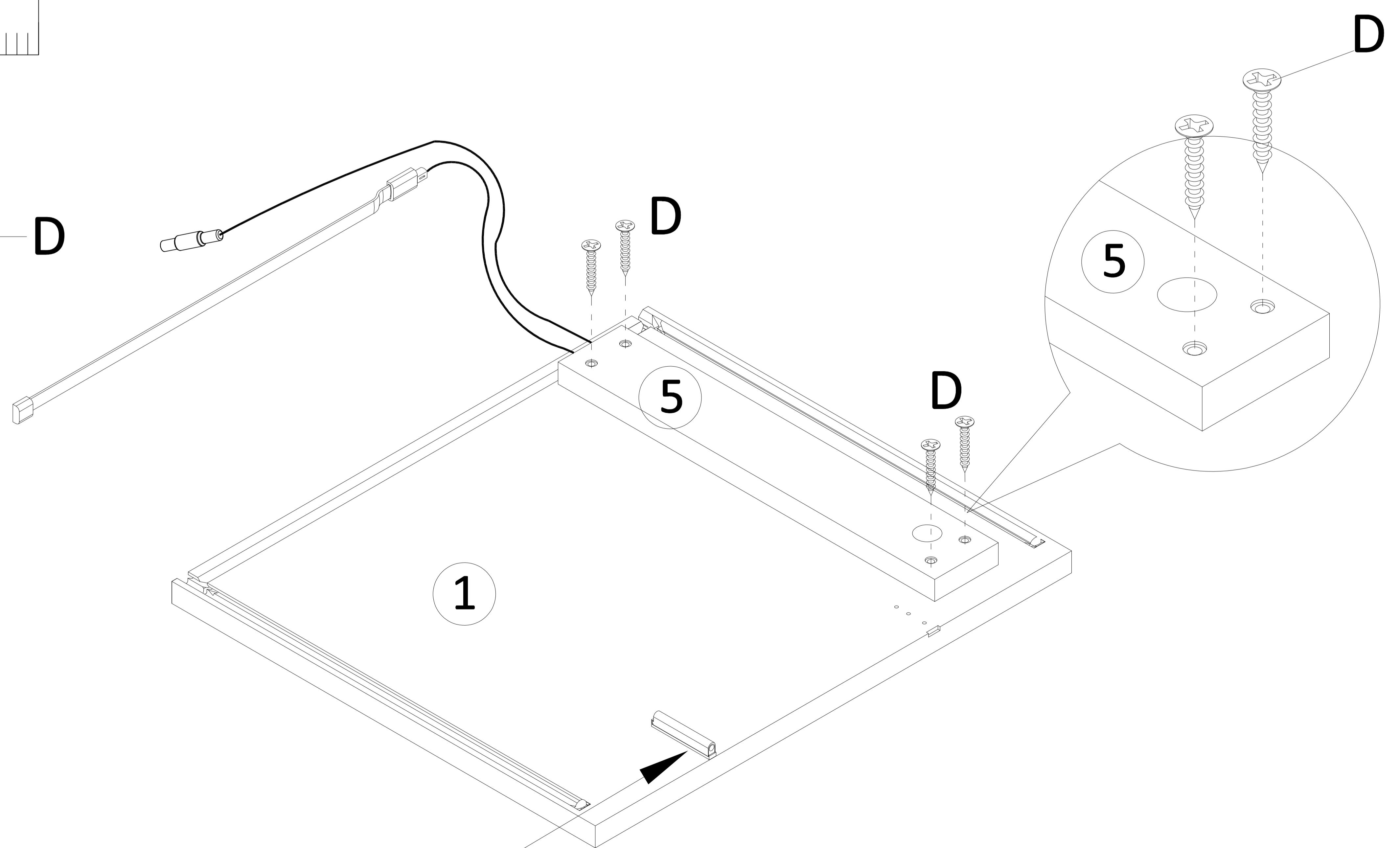
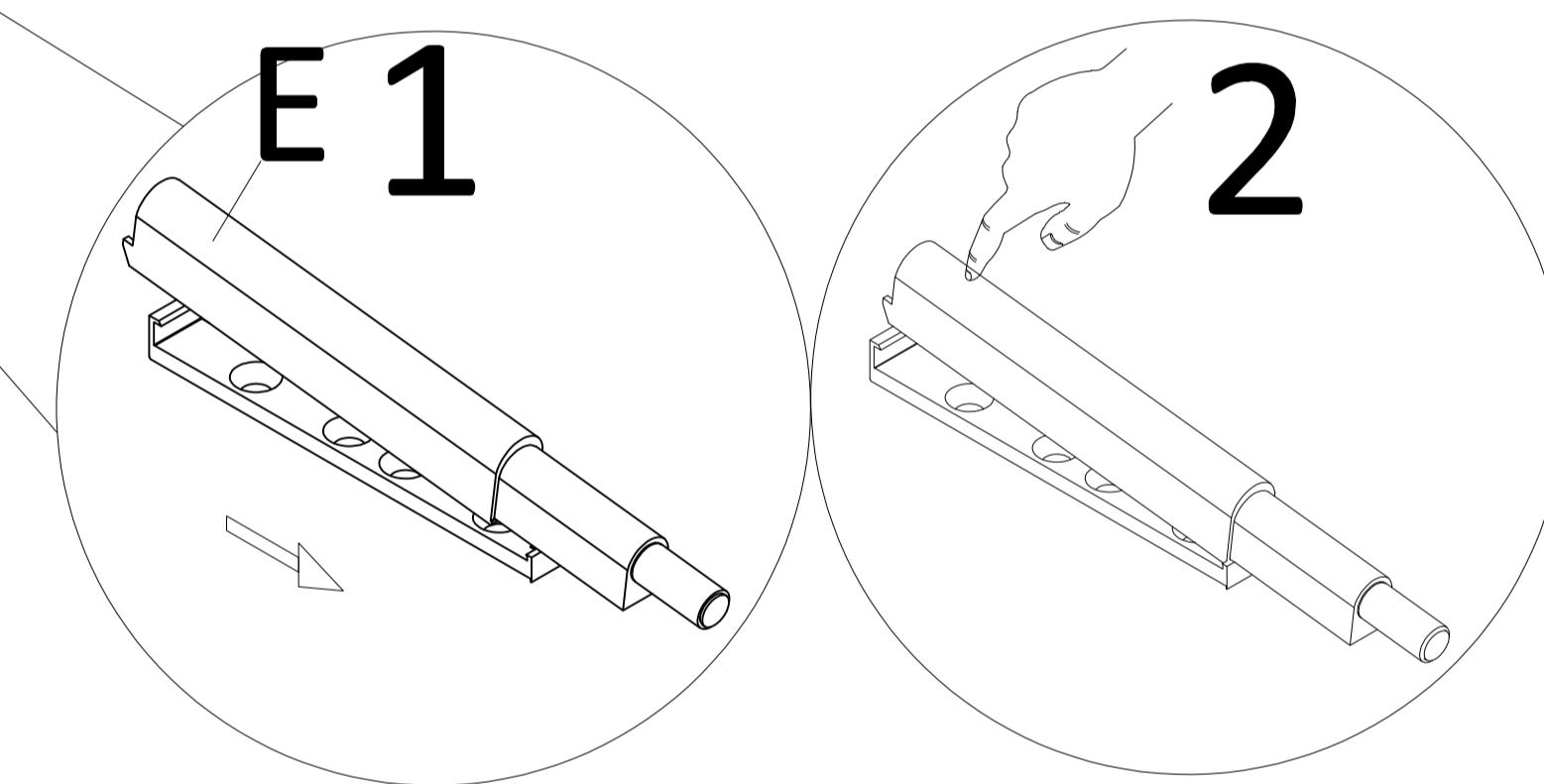
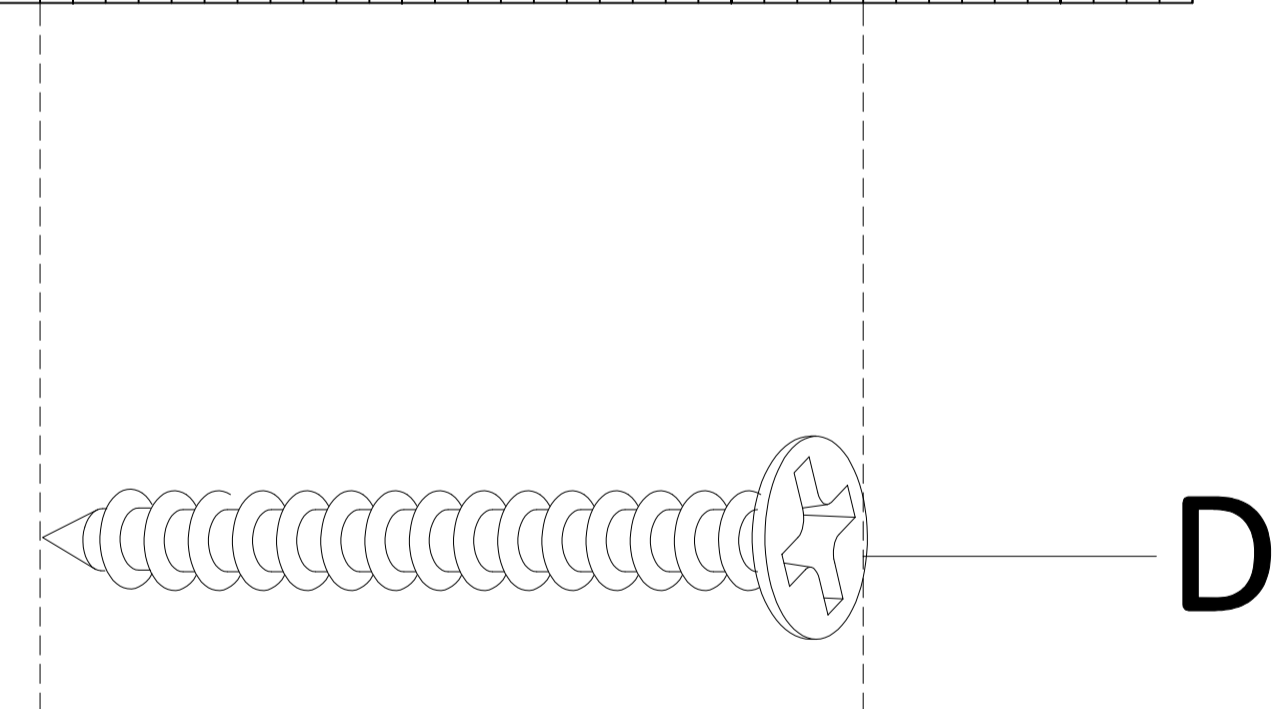
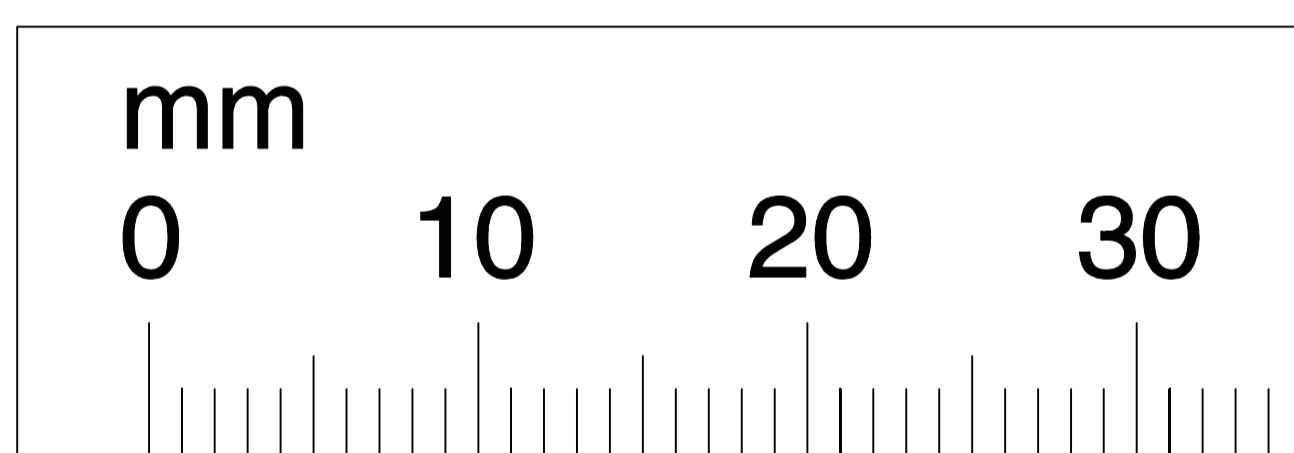
**1** **IMPORTANT**  
To avoid any damage to the top or panels of the unit, please assemble the unit on a soft surface such as a carpet or a place a blanket on harder floors.

Please ensure wires are flush in the channel.

Place the button facing down.



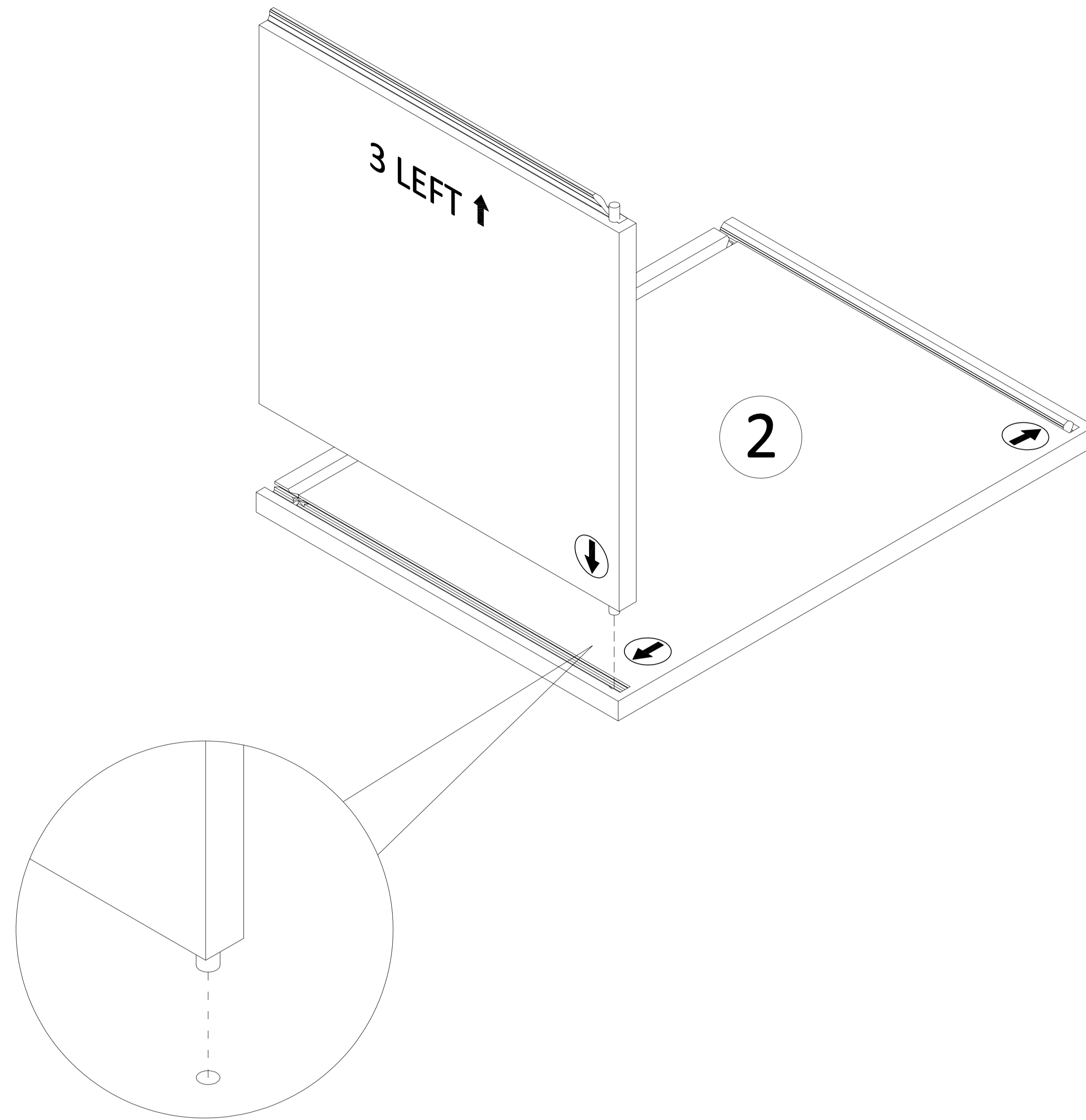
**2**



**Push to open catch can be changed for left or right hanging door.**

# 3

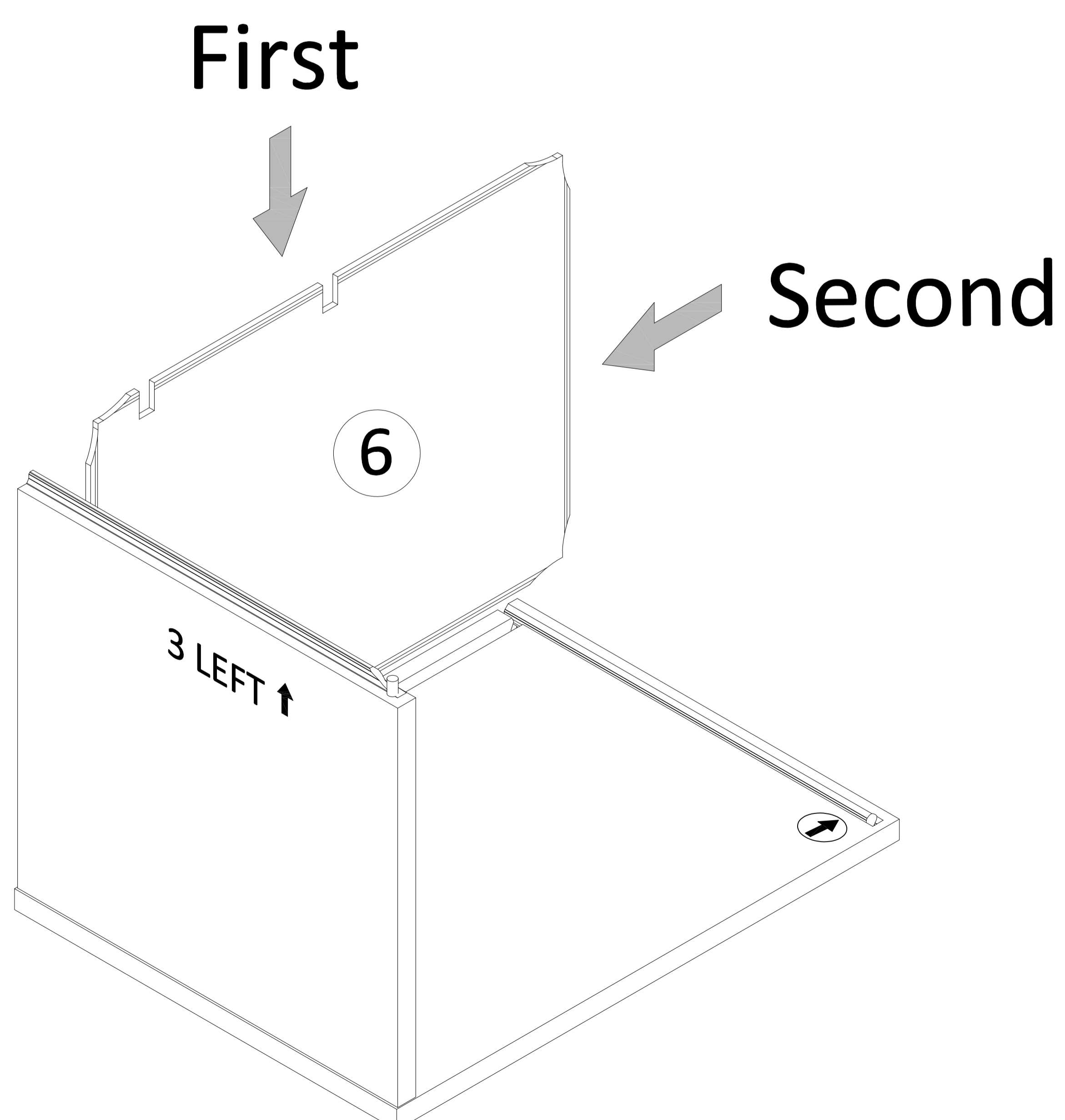
**NOTE :** Panels should sit comfortably in position, do not force them, if they do not fit comfortably, they are likely to be UPSIDE down



\* Locate Dowel position first as a guide

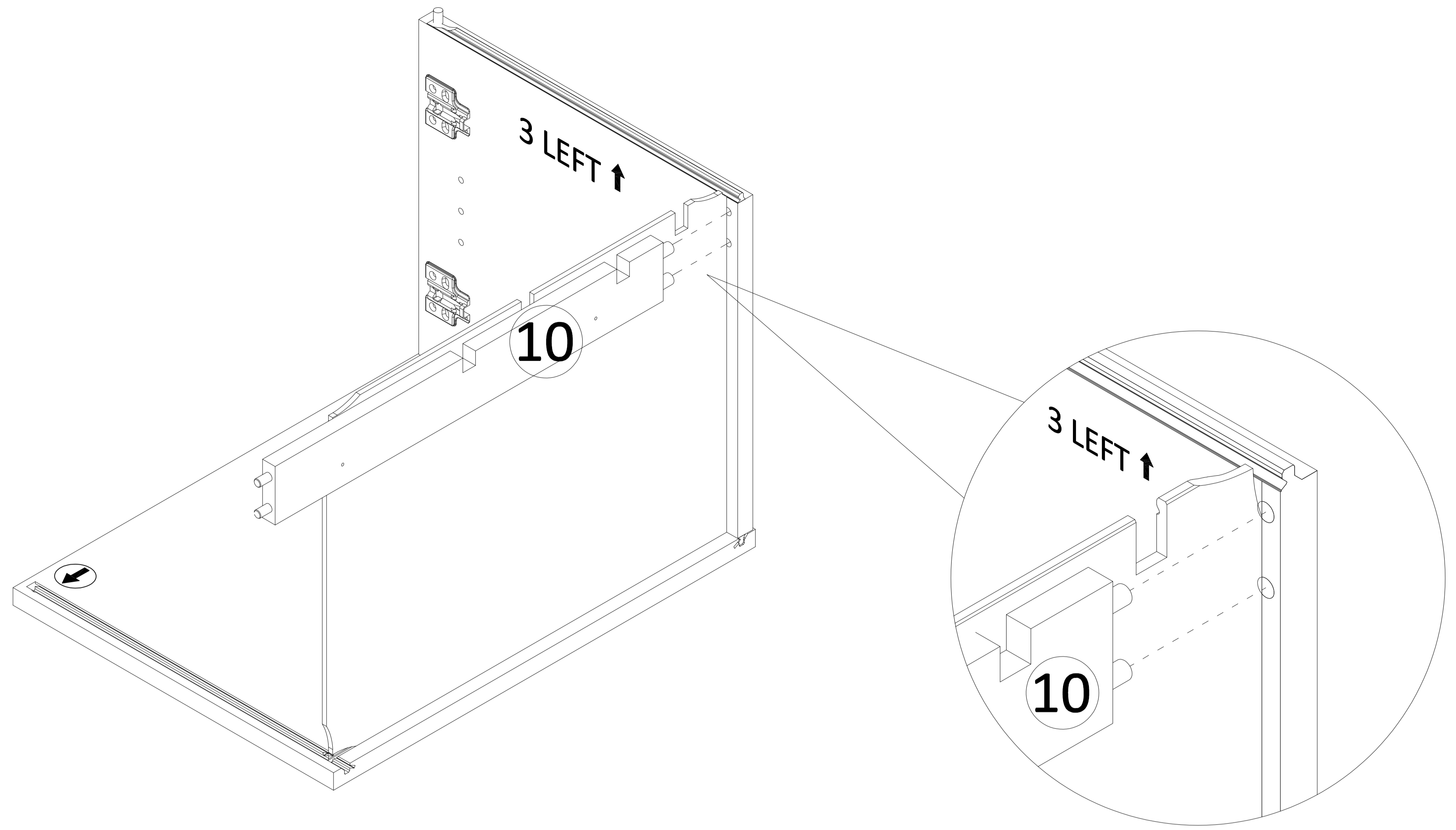
# 4

\* Groove on back panel must be on inside face.



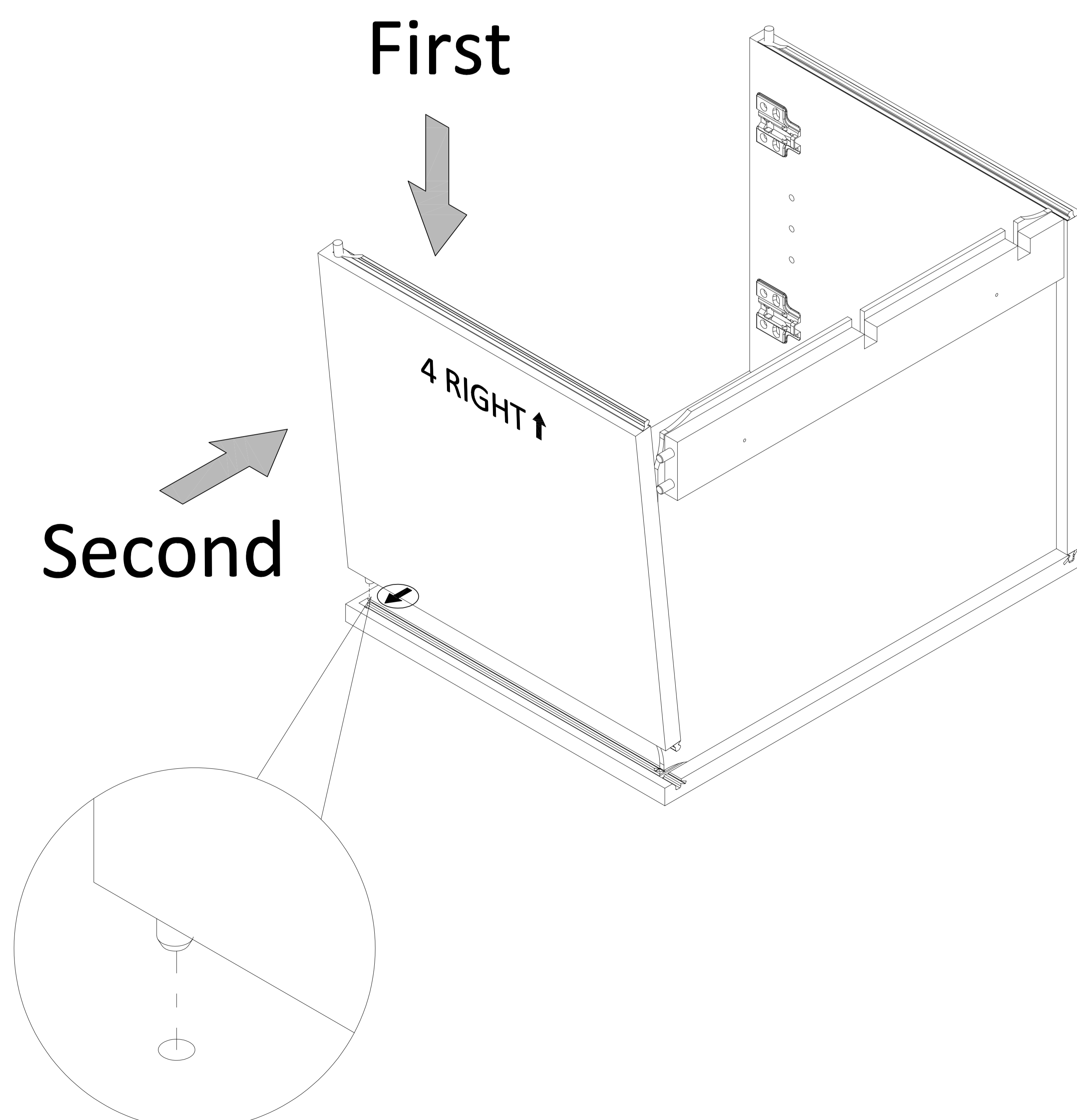
Ensure the panel sits in place with no gaps

# 5



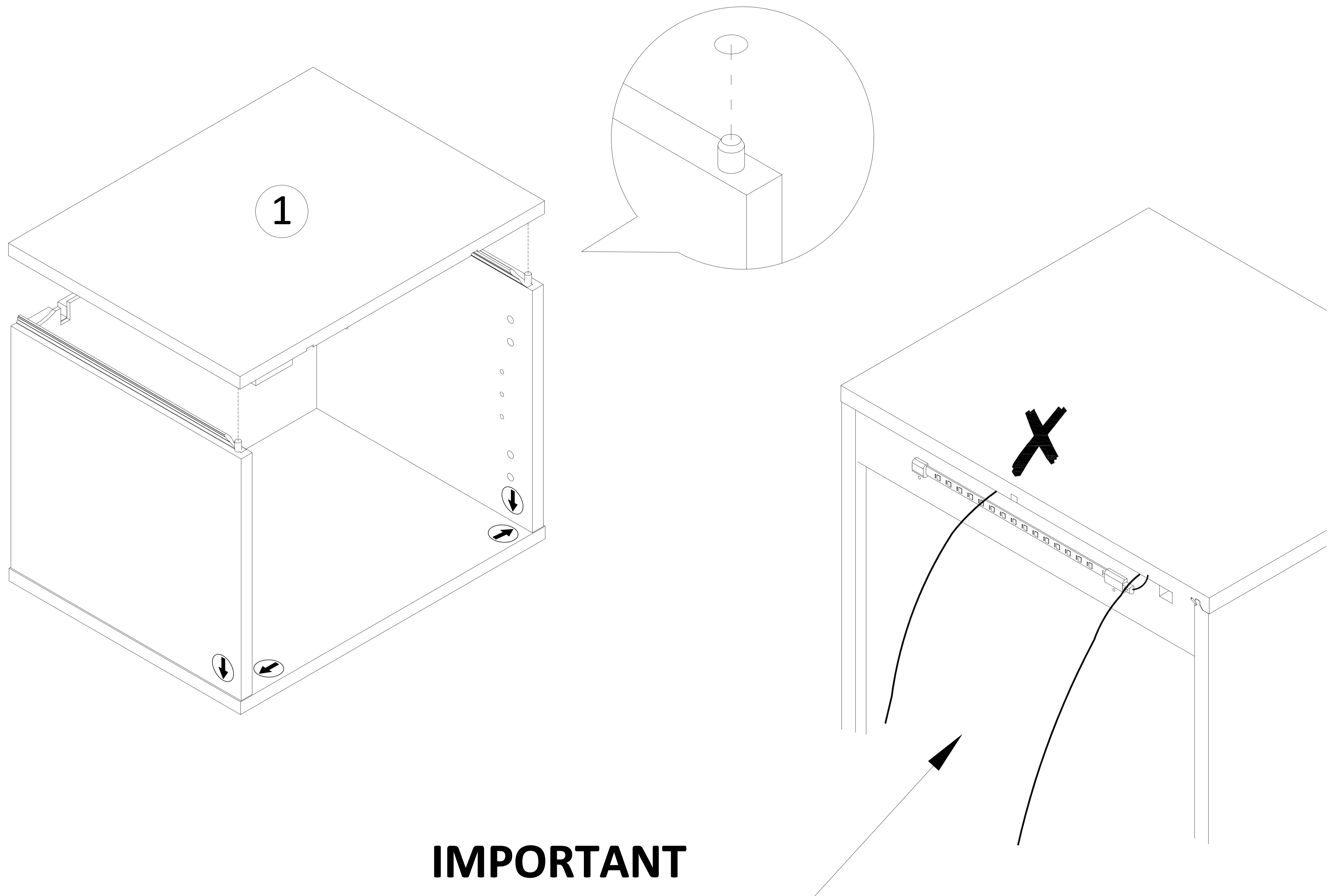
# 6

**\* Locate Dowel position first as a guide**



# 7

Locate dowel first as a guide, and press panel 1 down into place.



**IMPORTANT**

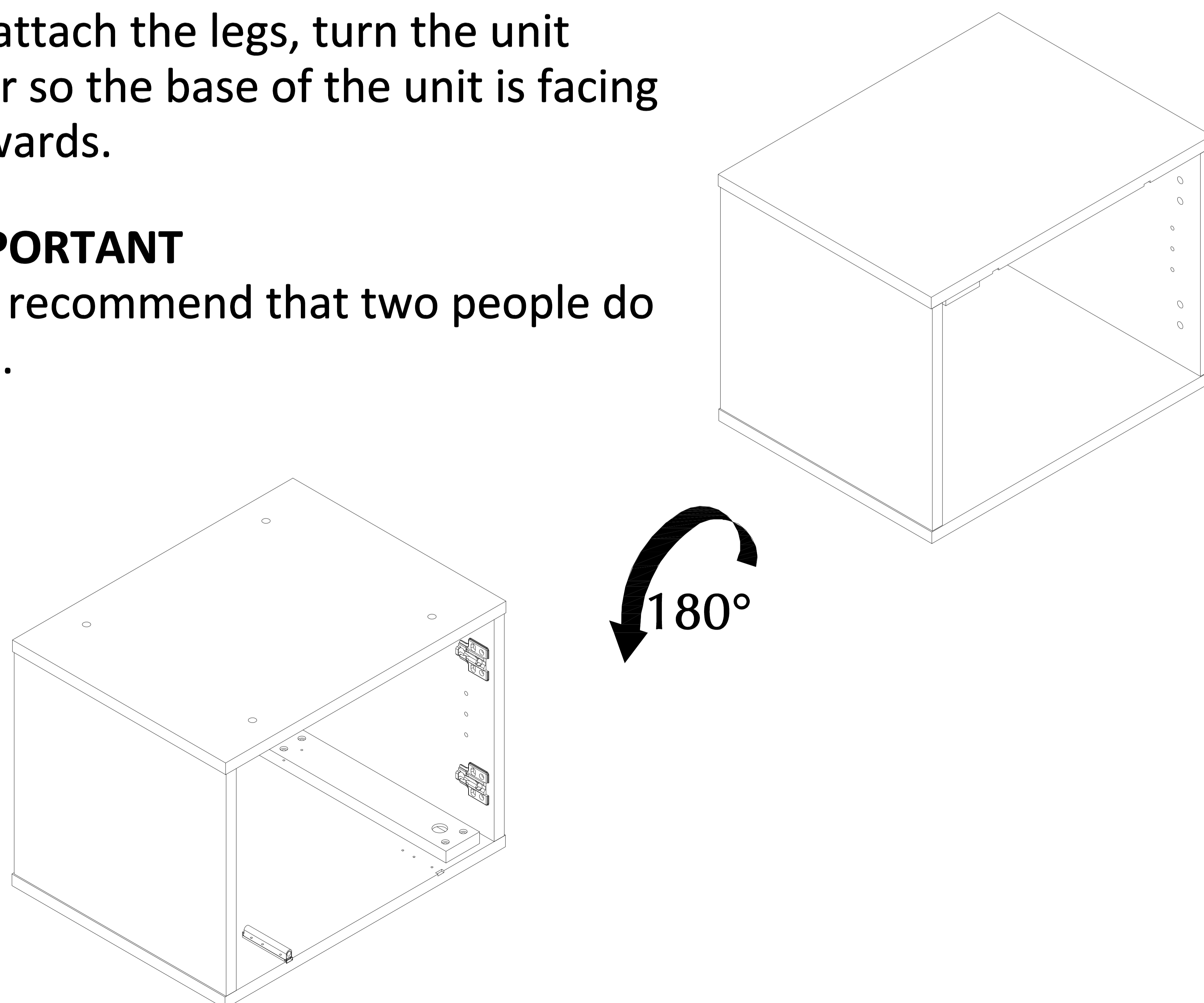
Ensure that cables are not trapped when placing the top panel on (check they are properly hidden in the cable channel)

# 8

To attach the legs, turn the unit over so the base of the unit is facing upwards.

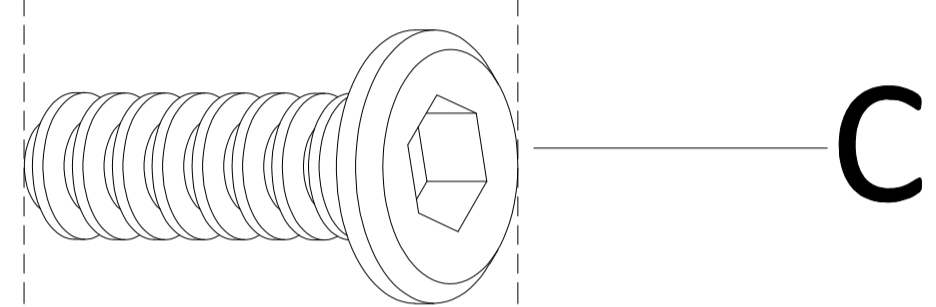
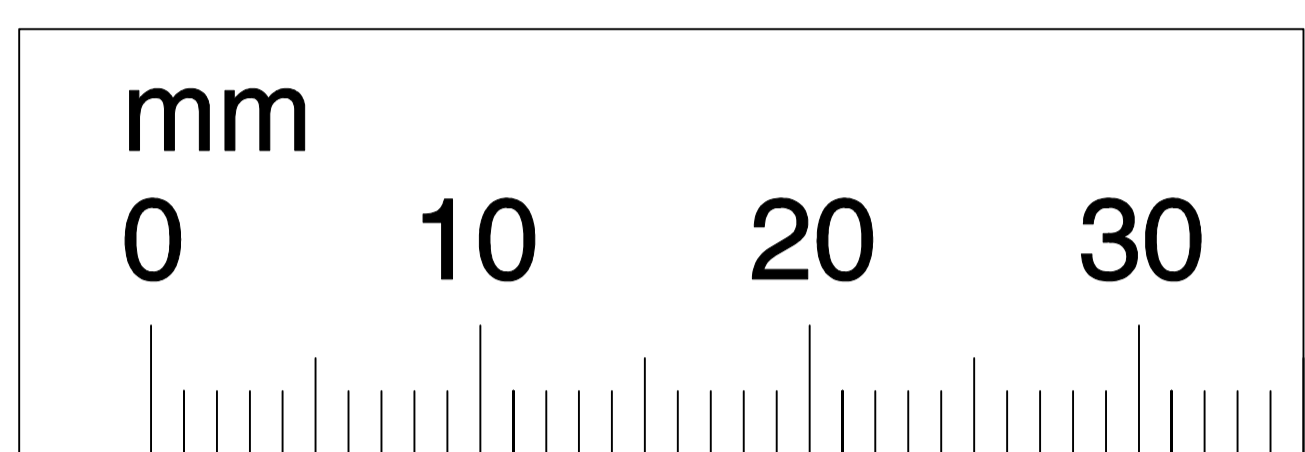
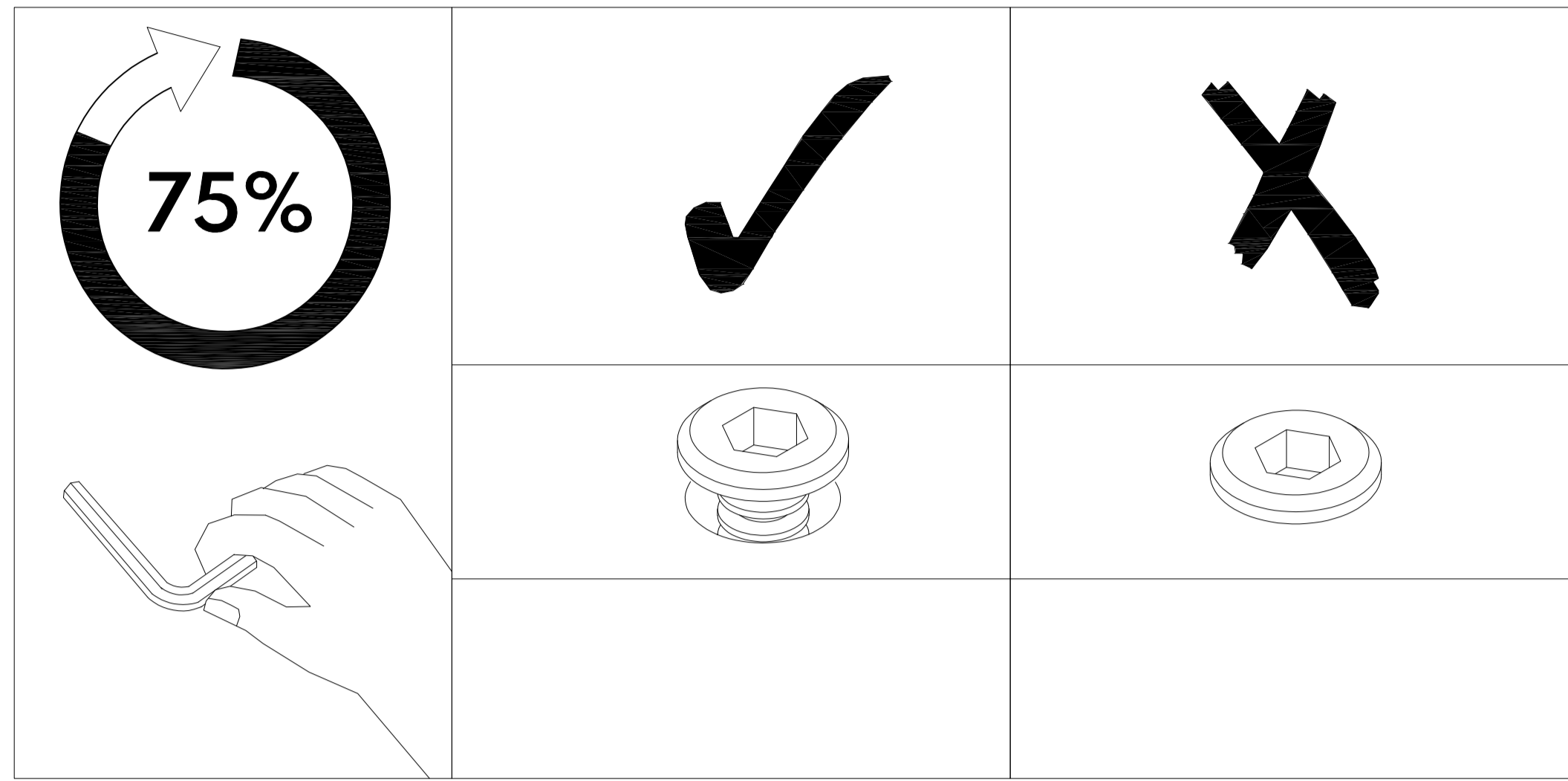
**IMPORTANT**

We recommend that two people do this.

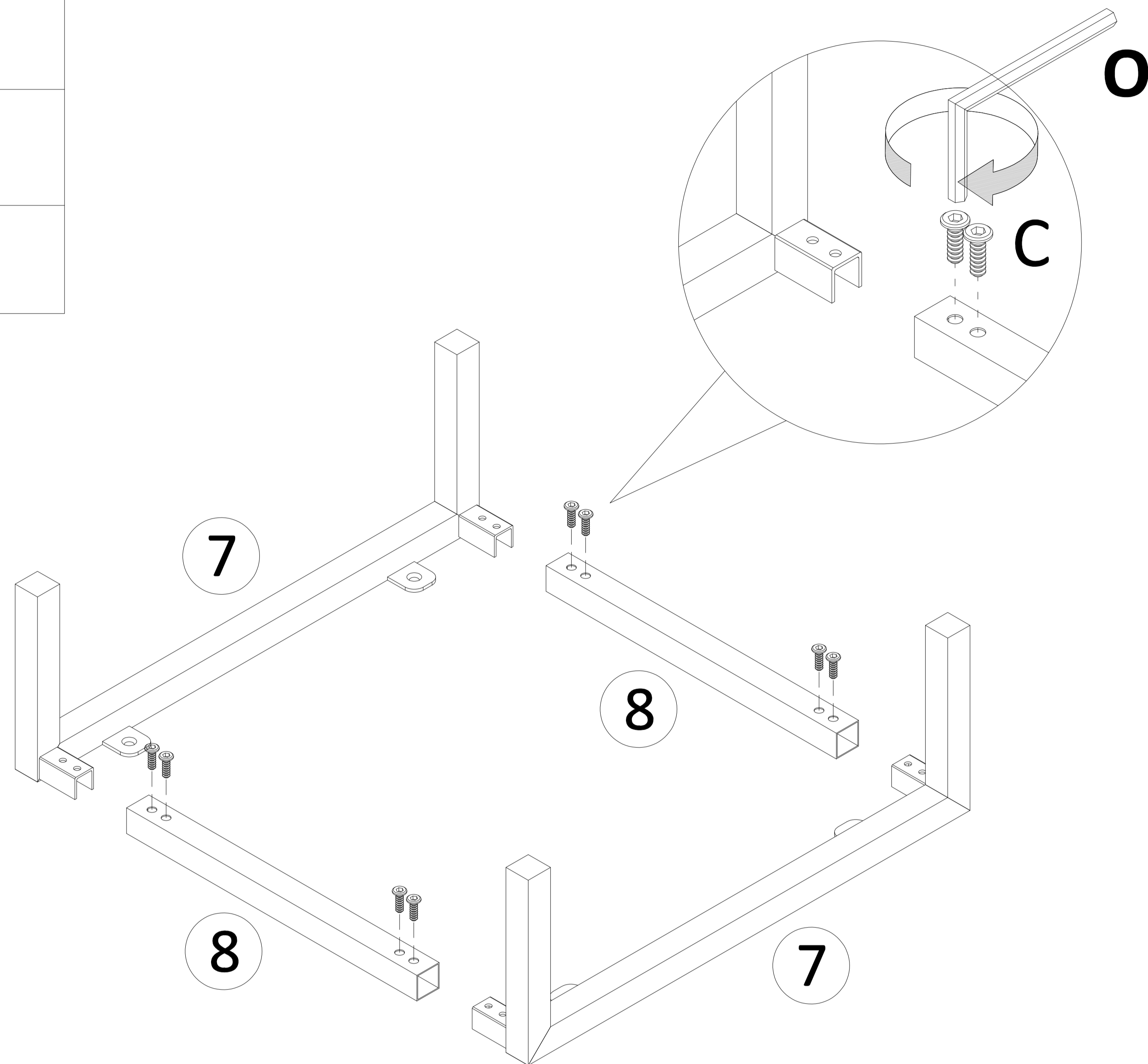


# 9

Do not fully tighten to allow for final adjustments.

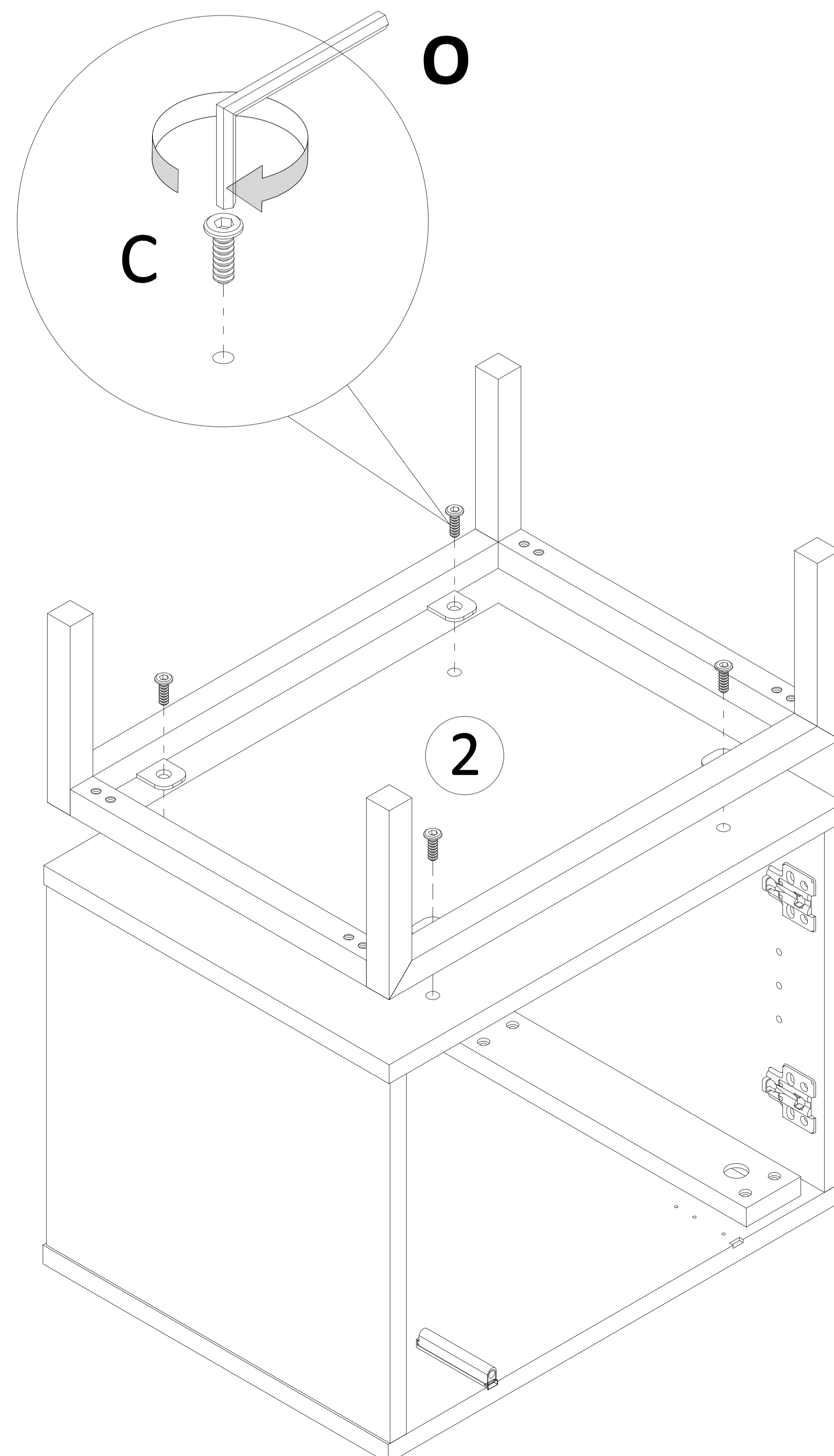
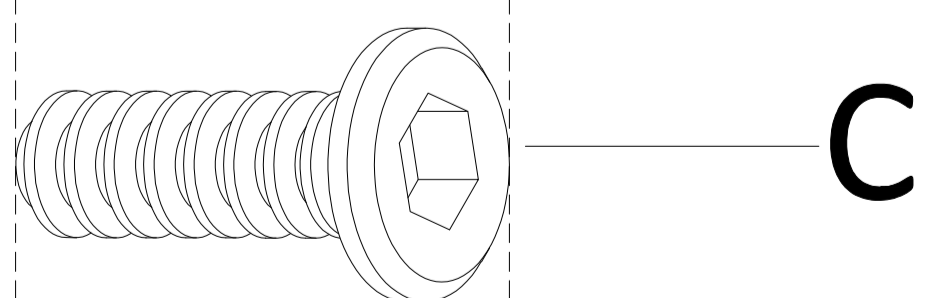
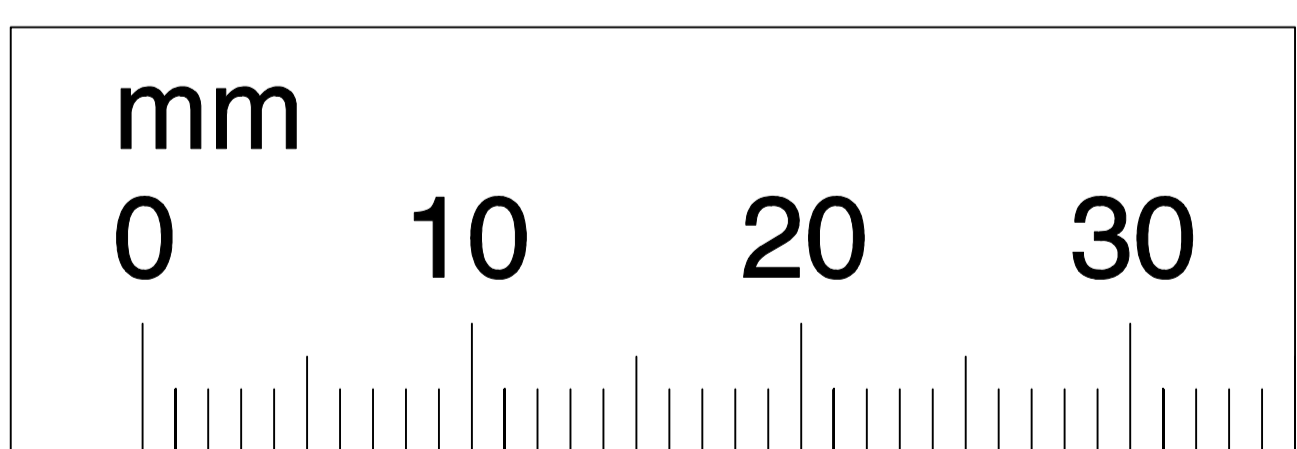
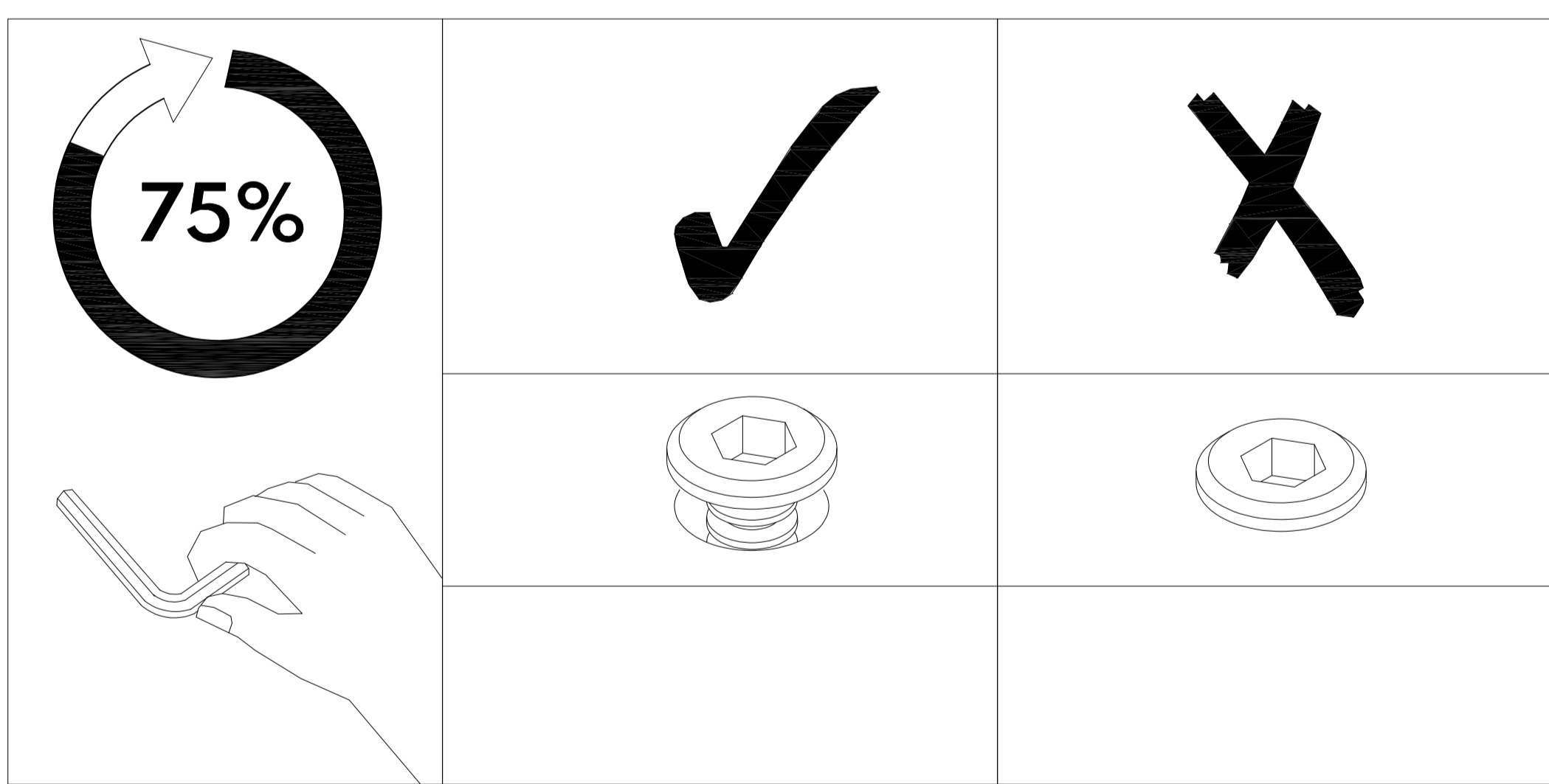


You can use both ends of the Allen key to tighten.



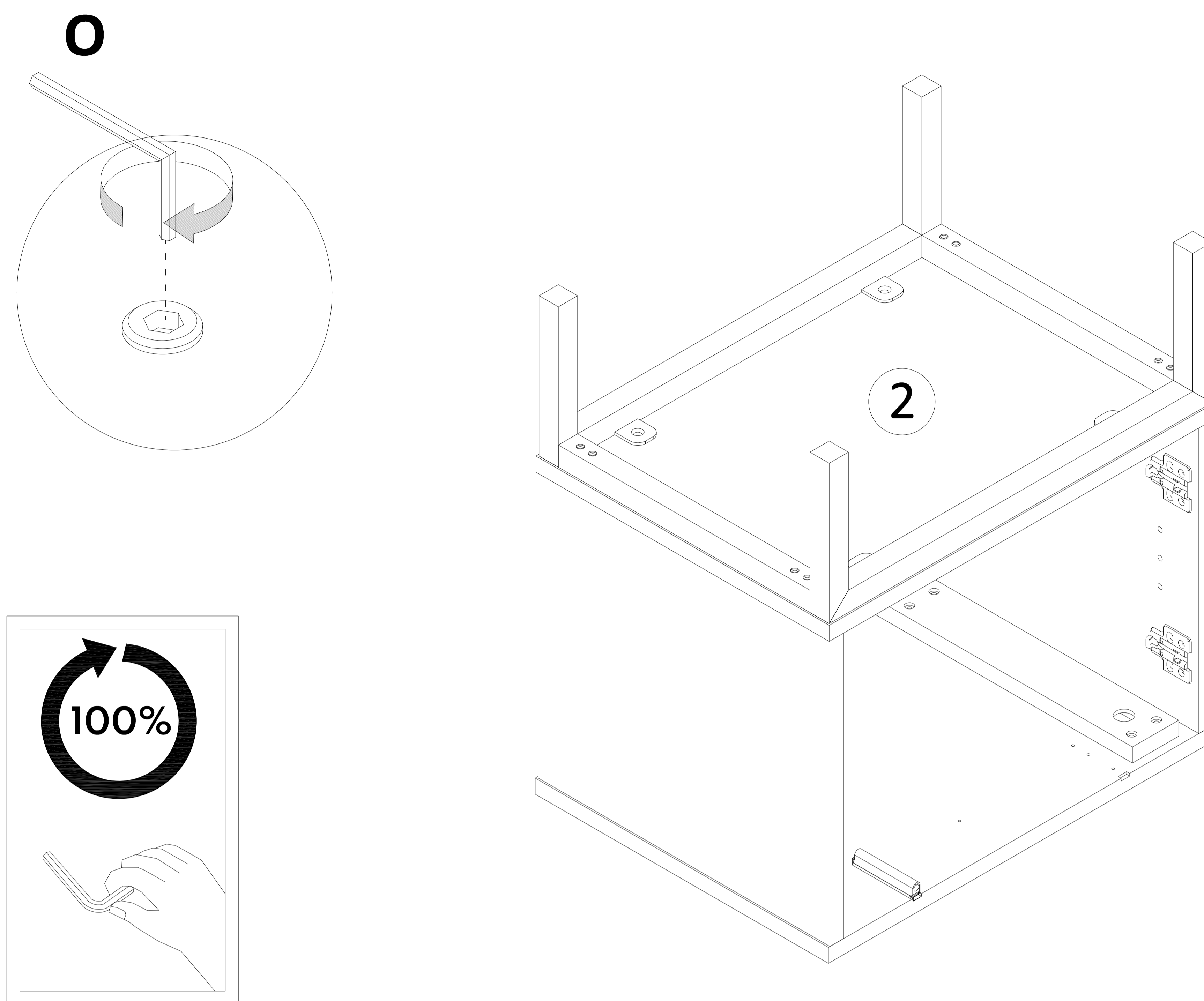
# 10

Do not fully tighten to allow for final adjustments.



# 11

Ensure the bar of the legs is lined up with the edges of panel 2 before completely tightening.

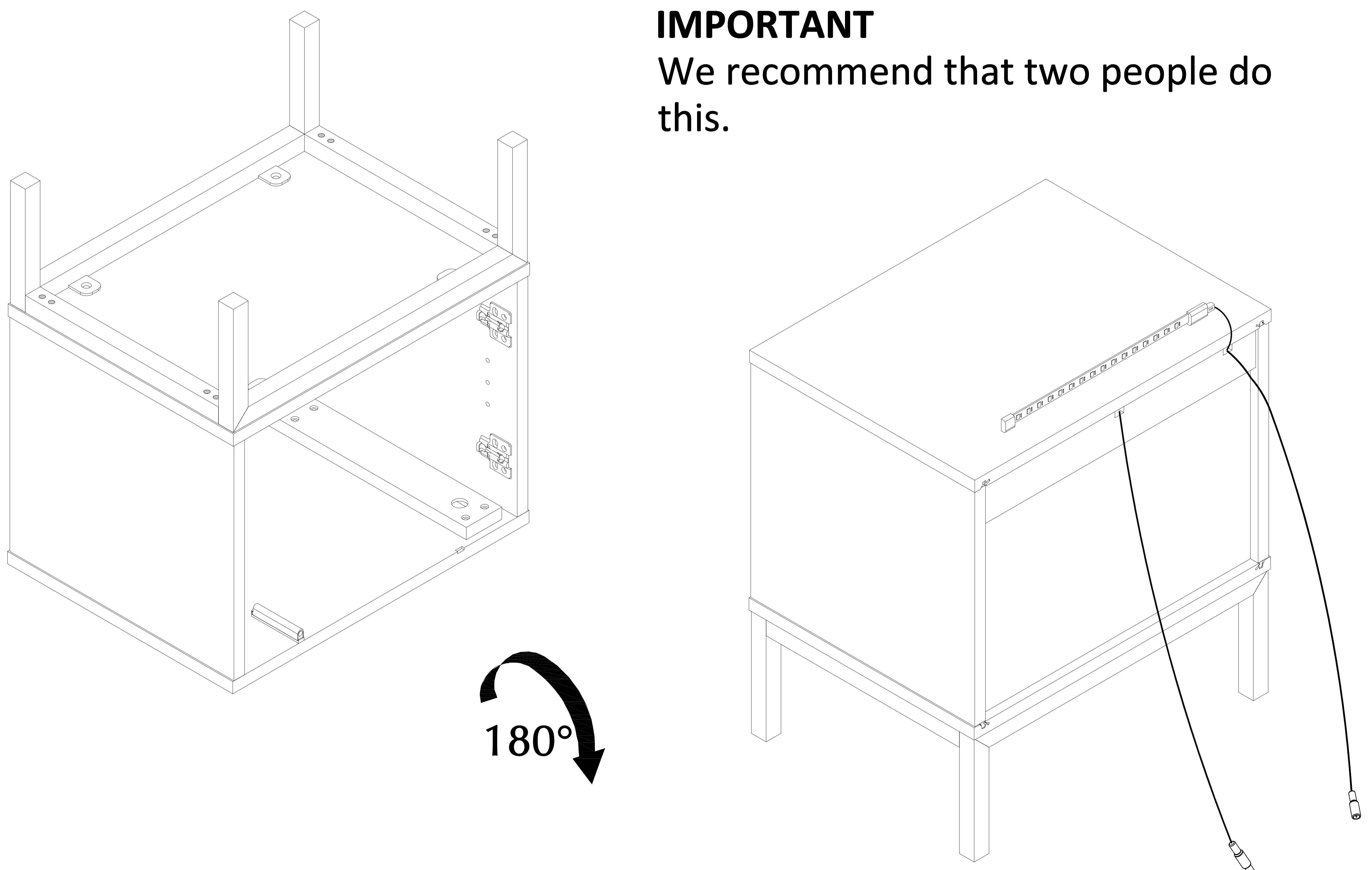


# 12

To attach the legs, turn the unit over so the base of the unit is facing upwards.

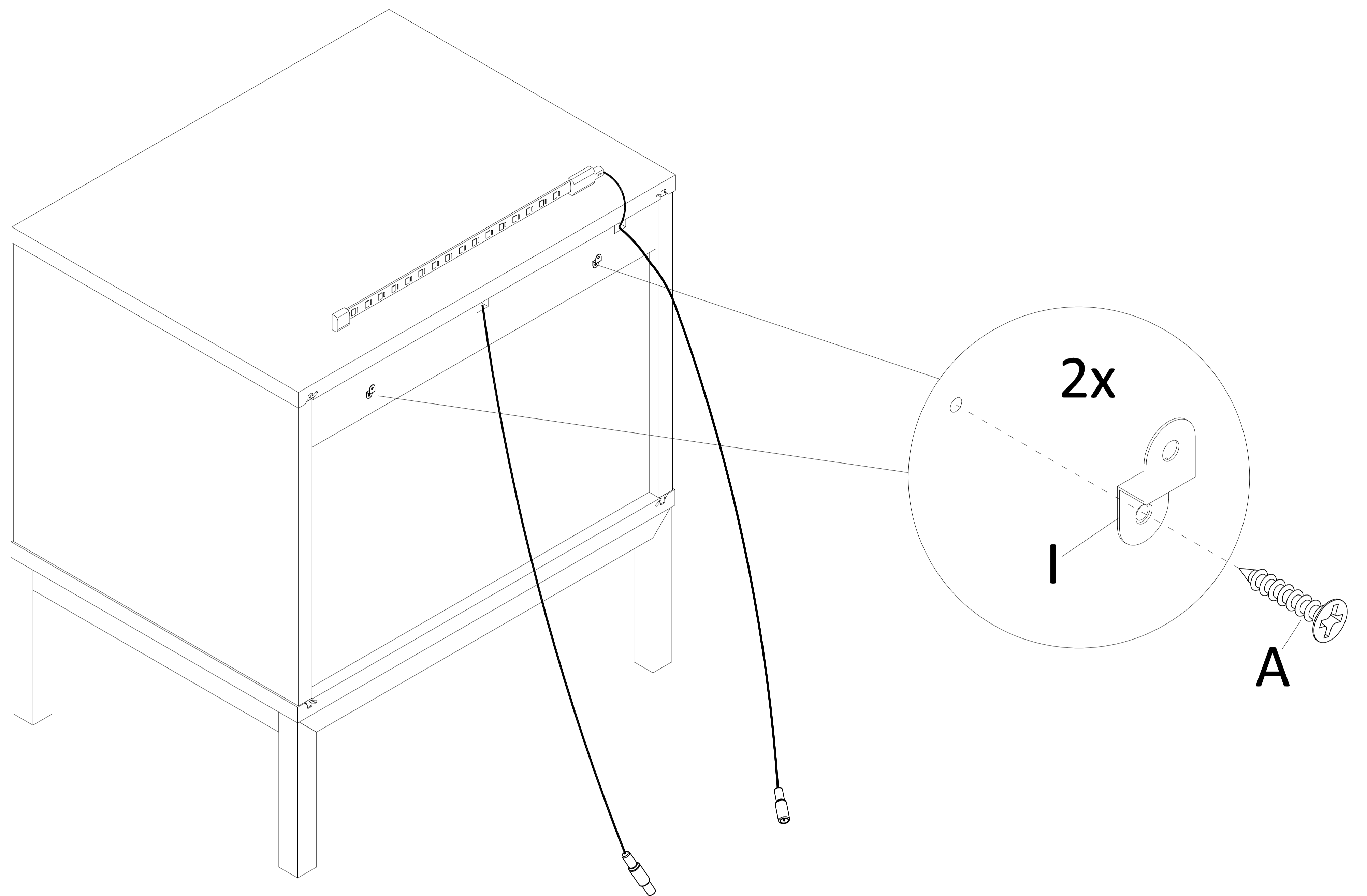
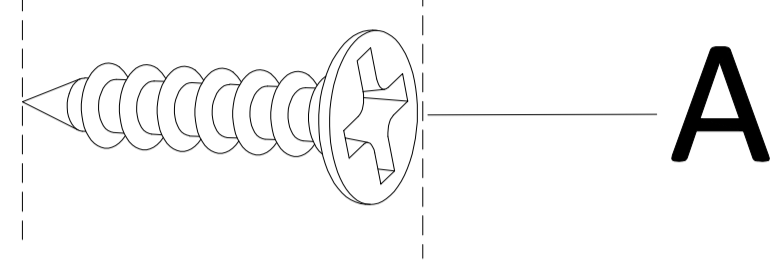
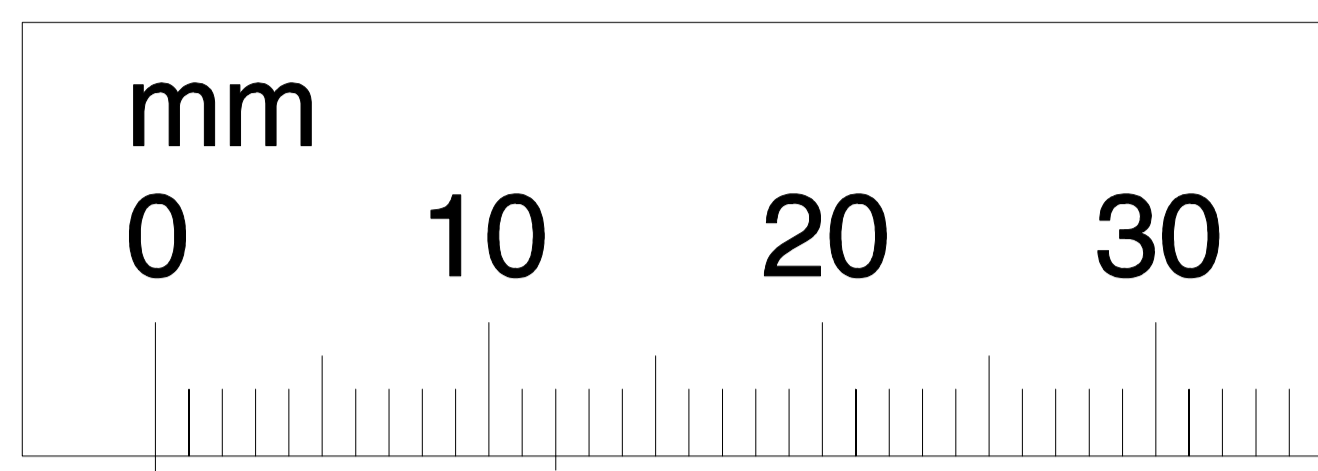
**IMPORTANT**

We recommend that two people do this.



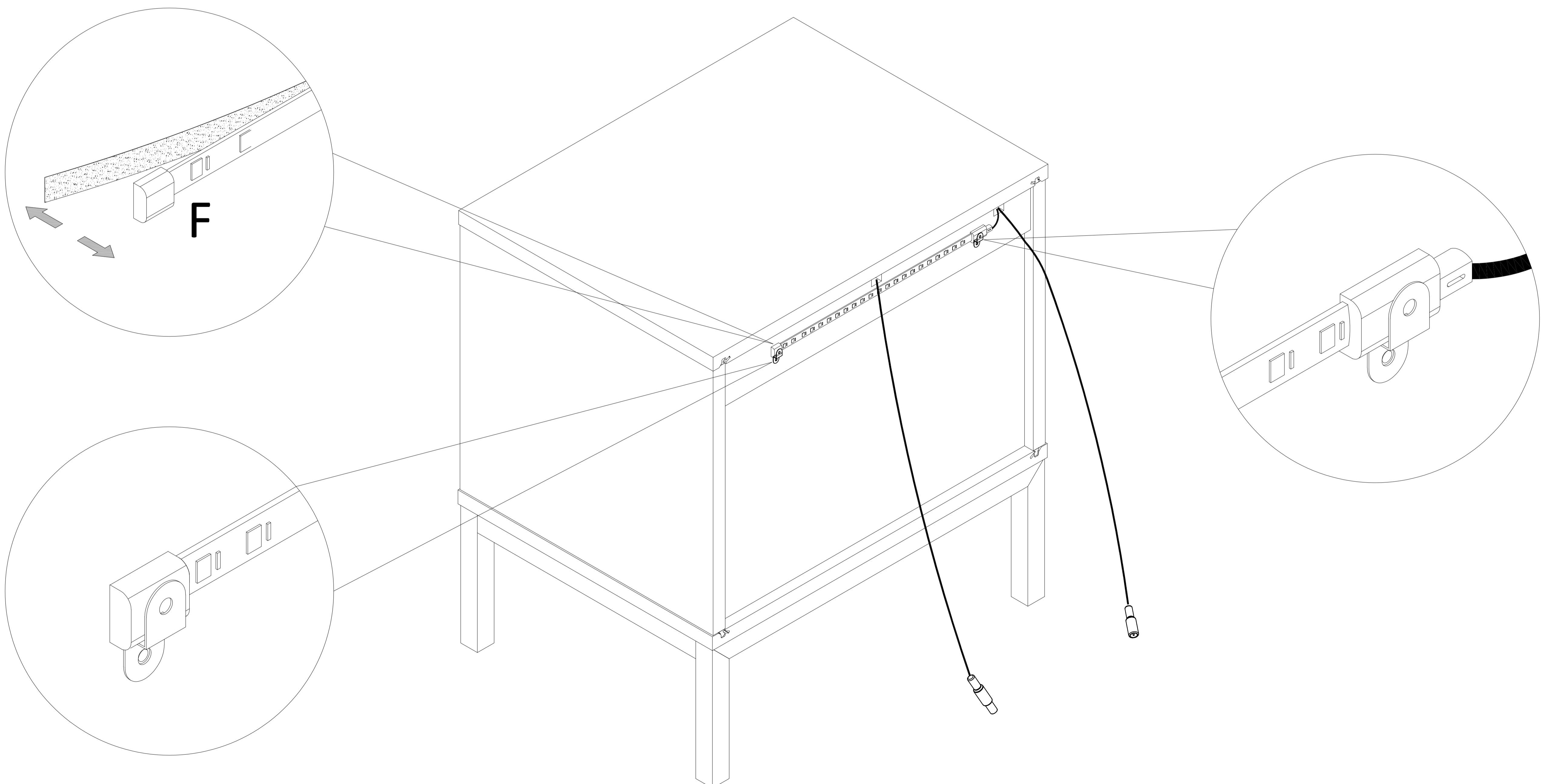
# 13

**PLEASE FOLLOW THE STEPS TO ENSURE NO DAMAGE.  
Screw in clip 'I'- ensure surface is DUST FREE**



# 14

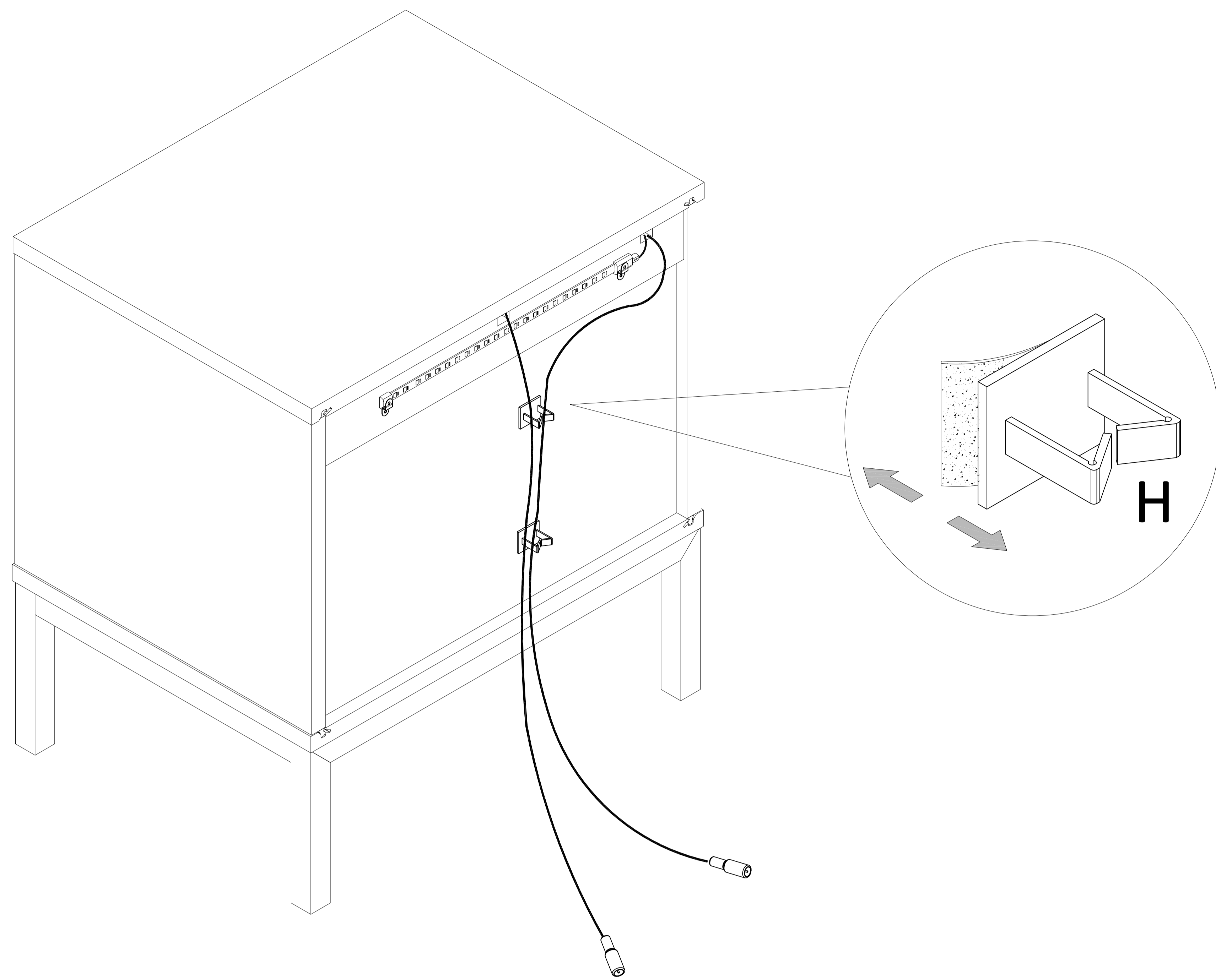
**CAUTION, When peeling off LED adhesive strip, take extra care to peel ONLY the protective strip, not the adhesive strip.**



- 1. Do not remove LED strip backing yet, unravel LED strip from reel.**
- 2. Place LED strip in position in the clip and lay the LED strip in place.**
- 3. Start from the clip end, remove the LED backing strip with care and place in position on the edge of the back panel, pressing firmly.**
- 4. Gently pull the wires so that the end of the LED strip is straight and sticking in position.**

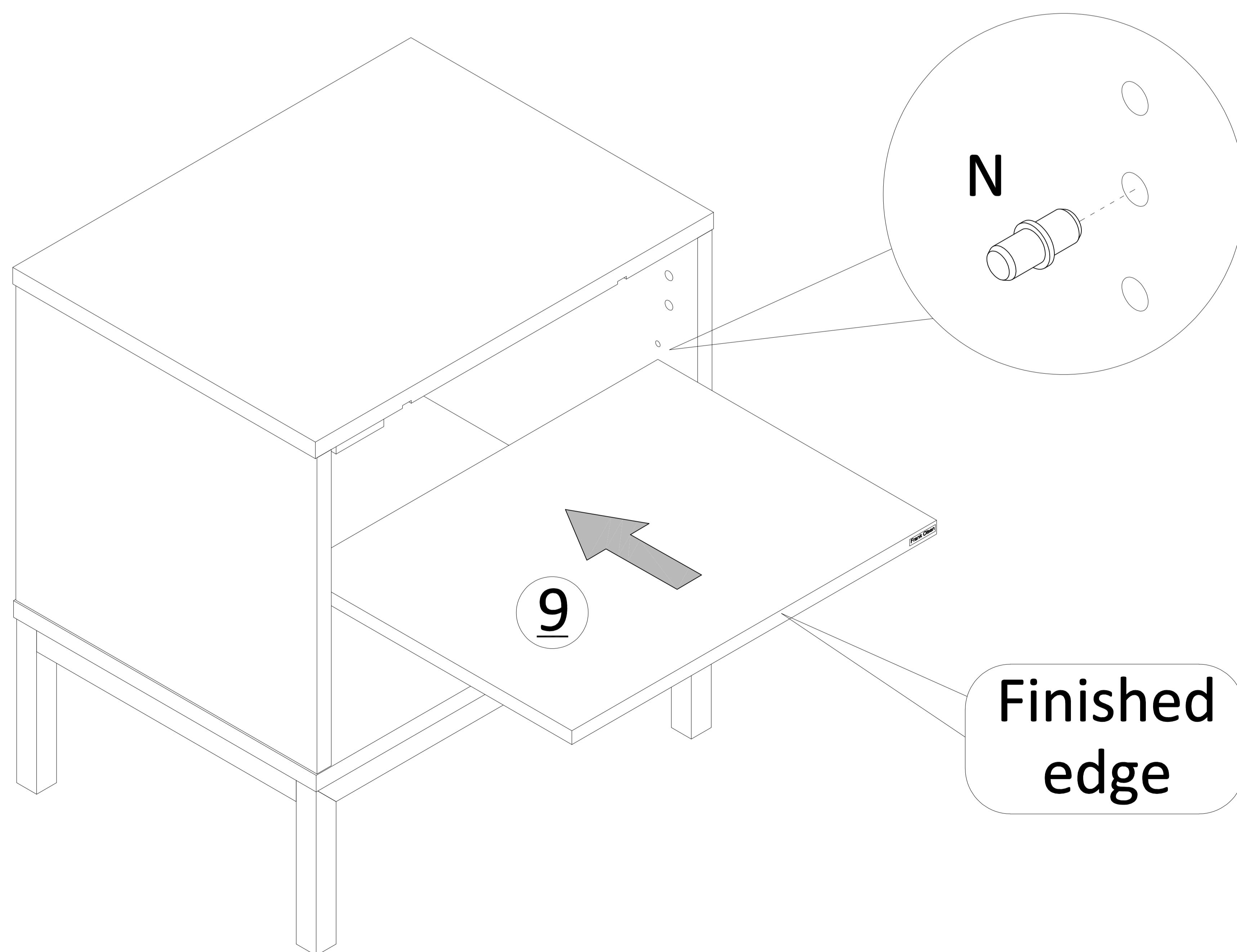
# 15

**NOTE :** See separate instructions provided on setting up the app / LED strip and Alexa voice control.



# 16

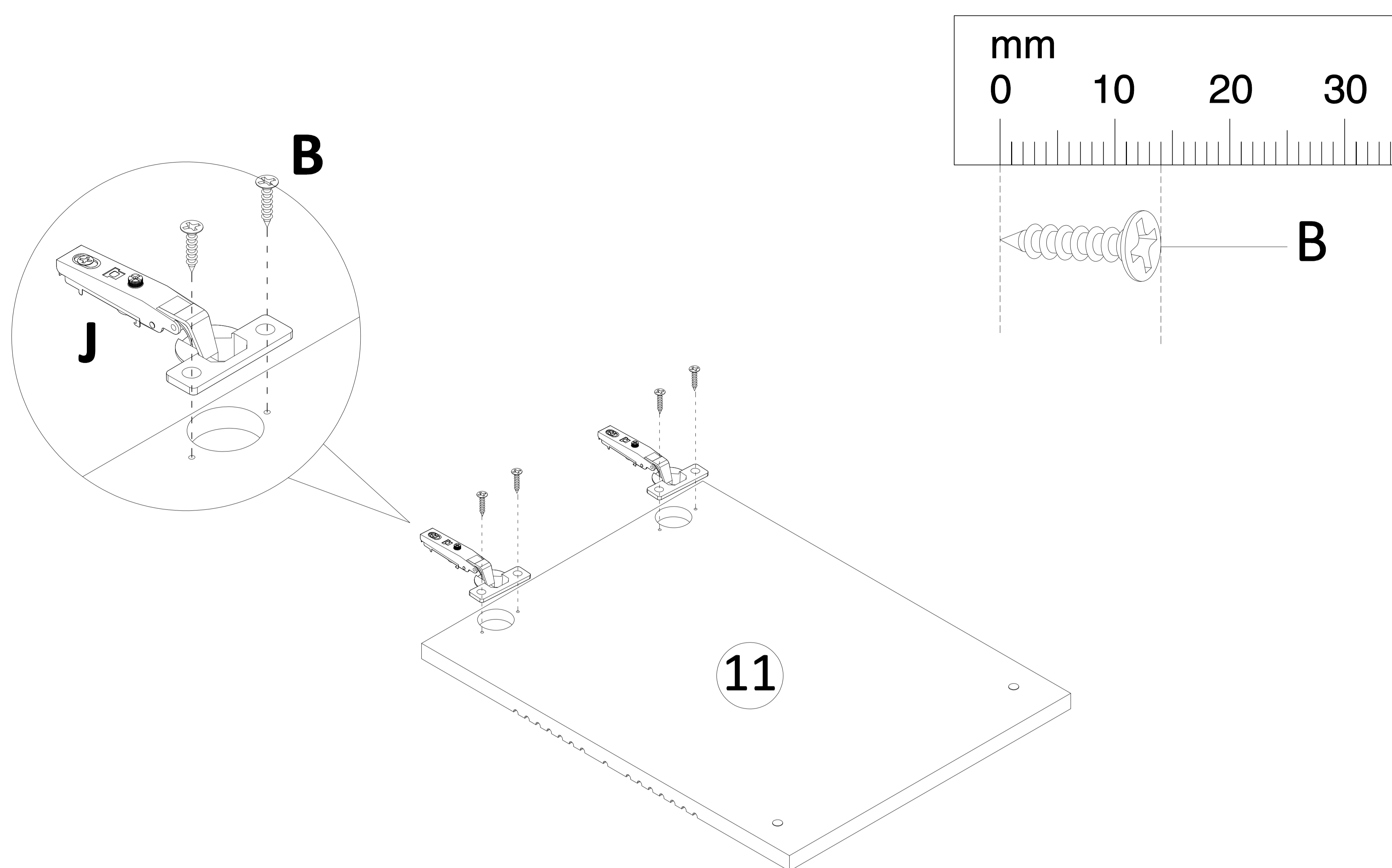
**Please choose shelf height position before attaching the door.**



# 17

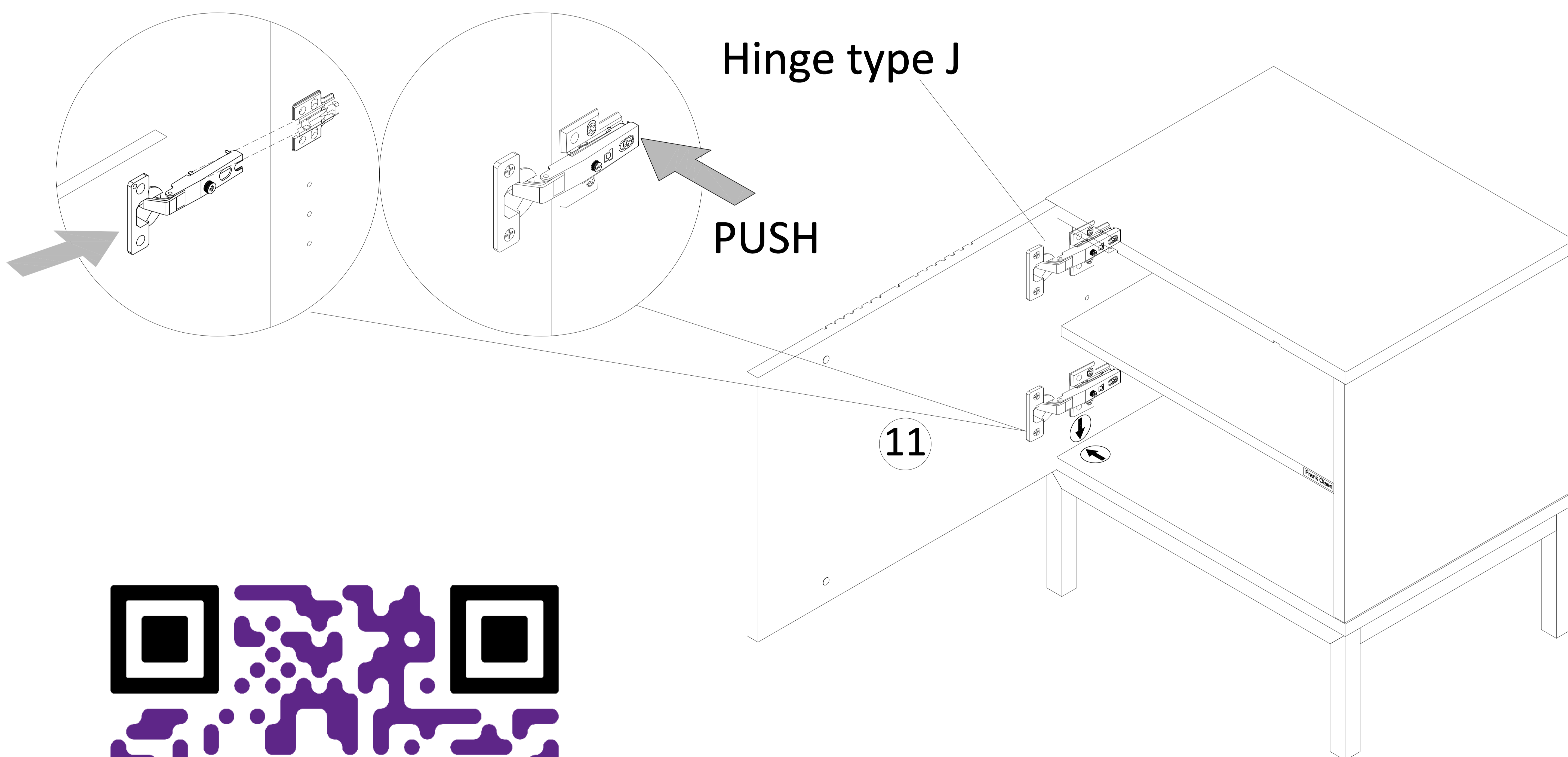
## IMPORTANT

To avoid any damage to the door whilst fitting the hinges, please fit the hinges with the door on soft surface such as a carpet or a place a blanket on harder floors.



# 18

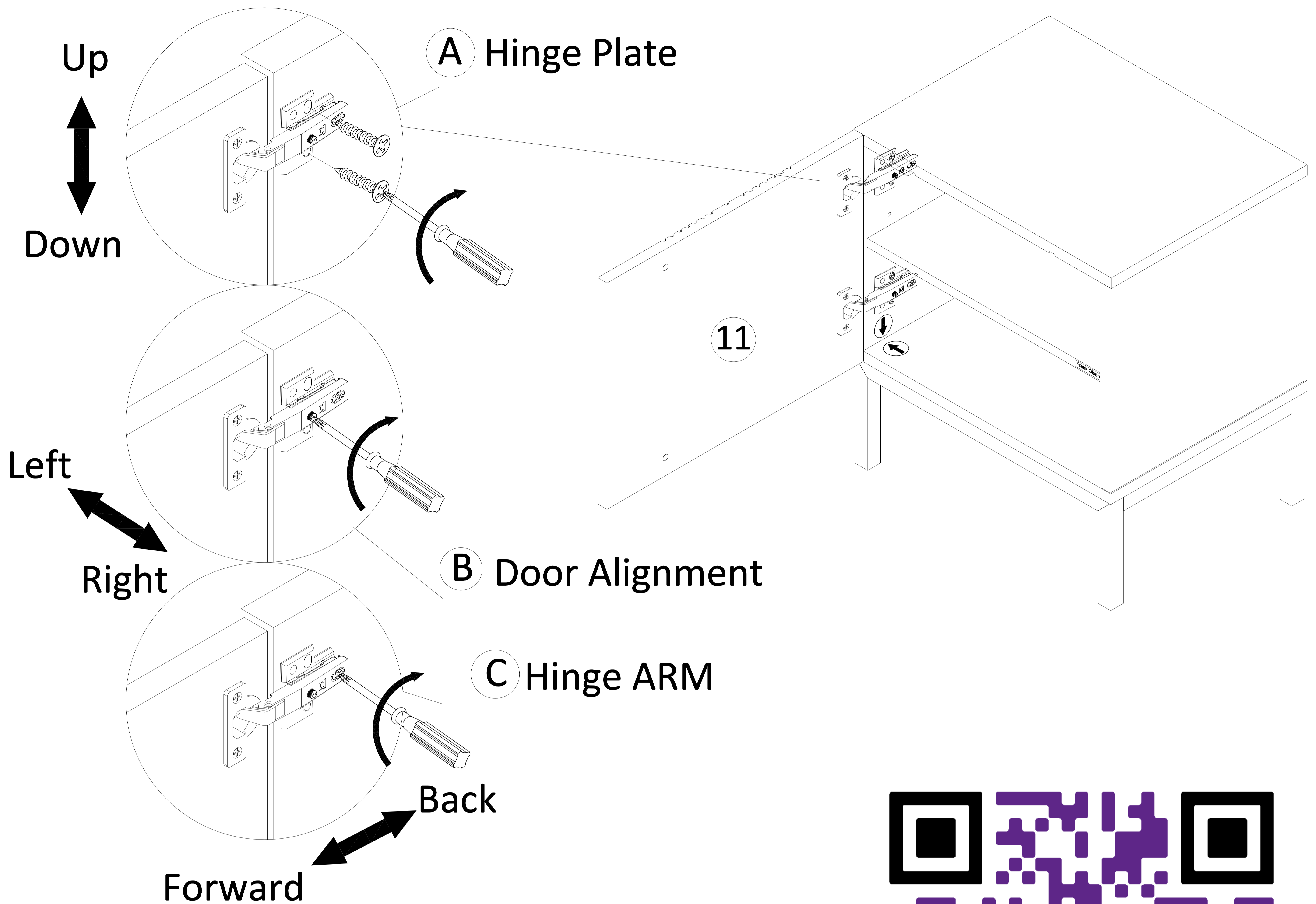
The door can be left or right opening. Simply move the push to open catch (Part E) and hinges to your preferred side.



Please use QR code to view a short video on how to attach the hinges.

# 19

To get the door aligned perfectly, the hinges can be adjusted in three places.



Please use QR code to view a short video on how to adjust the hinges and align the door.

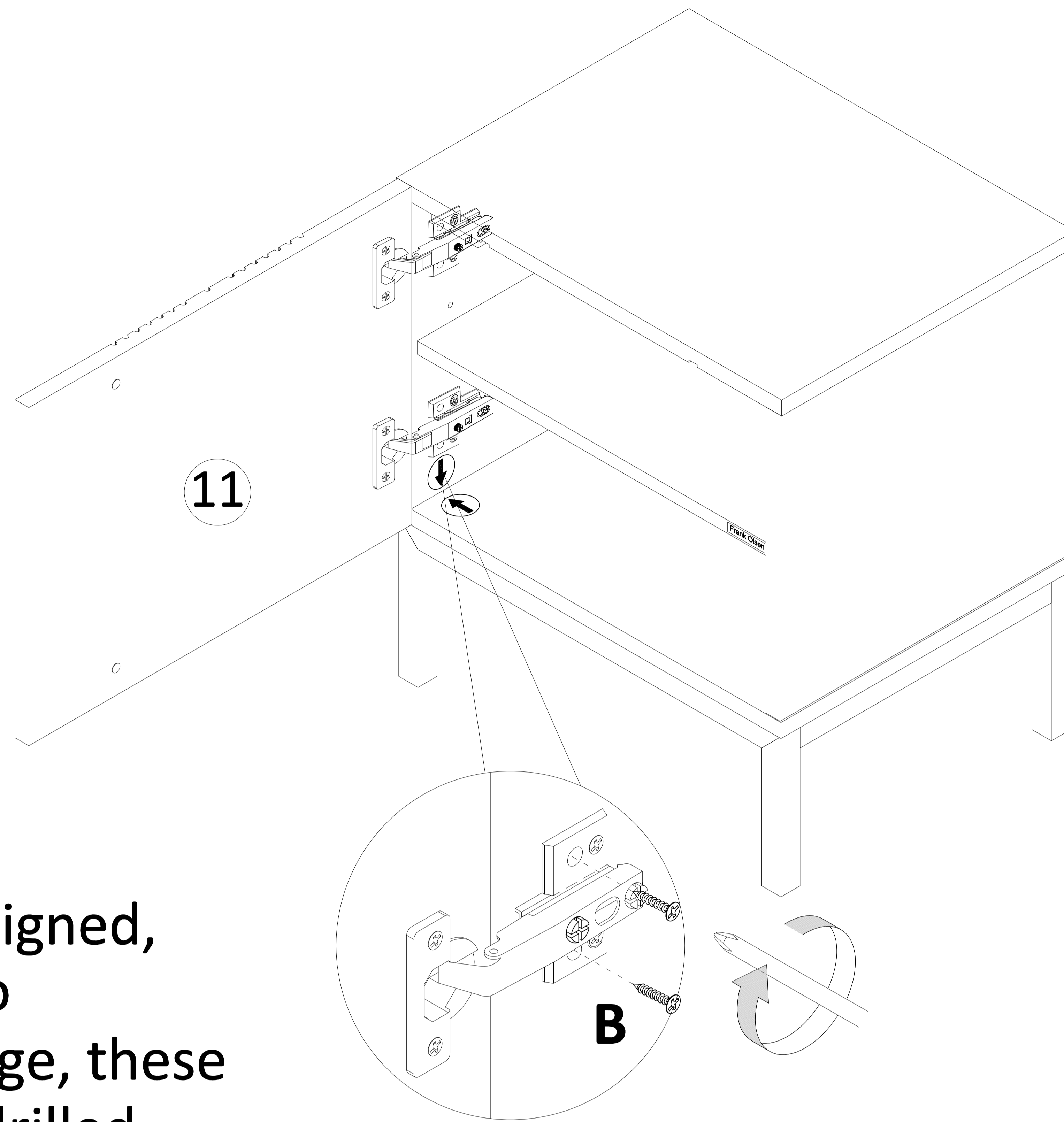
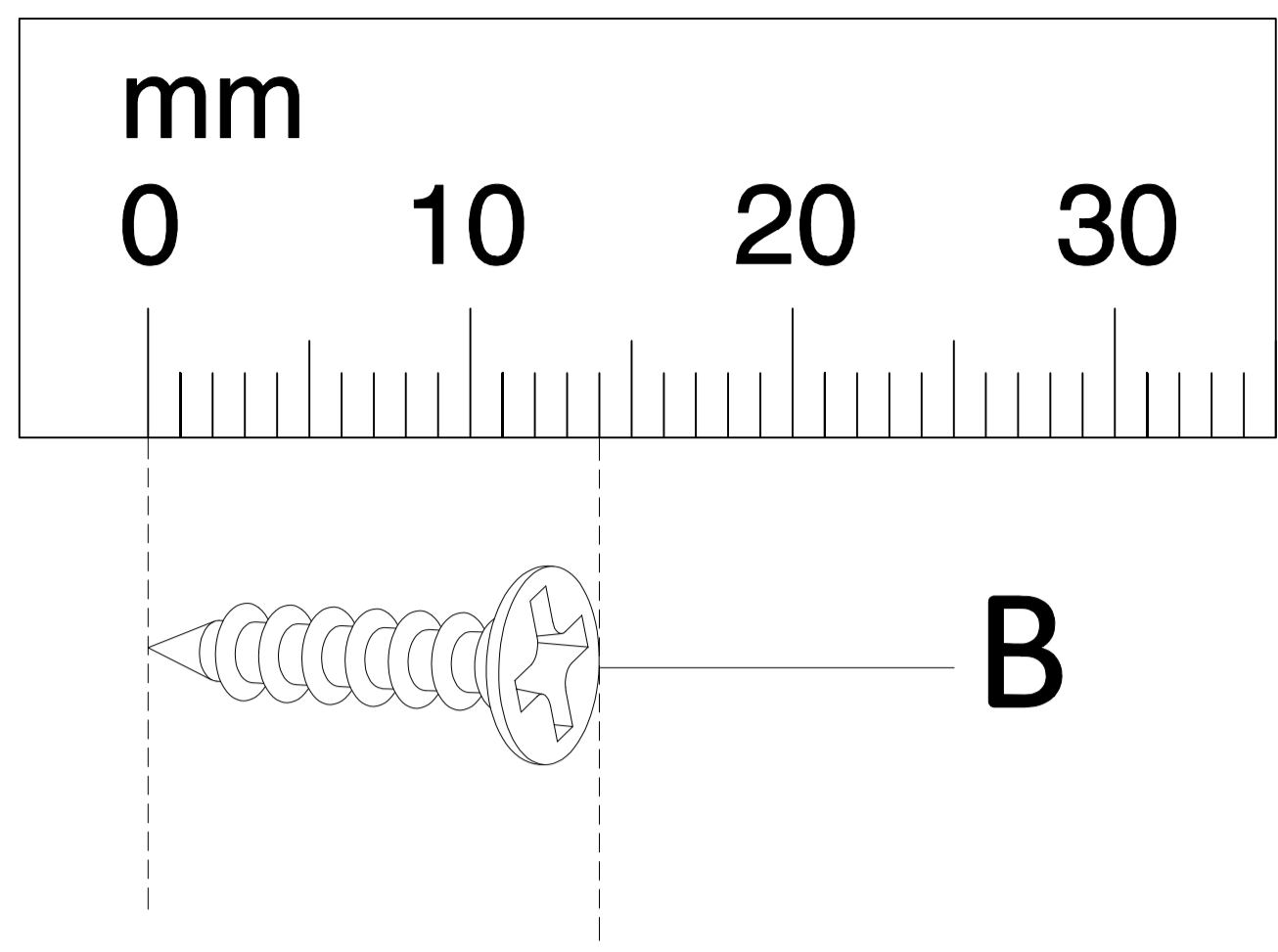


## Top tips for door alignment

1. Align and adjust the unit door in the room and position the unit will be placed in in your home.
2. Ensure the floor is even.
3. Make sure the pre-fitted door plates on the panels are tight but not overtightened.

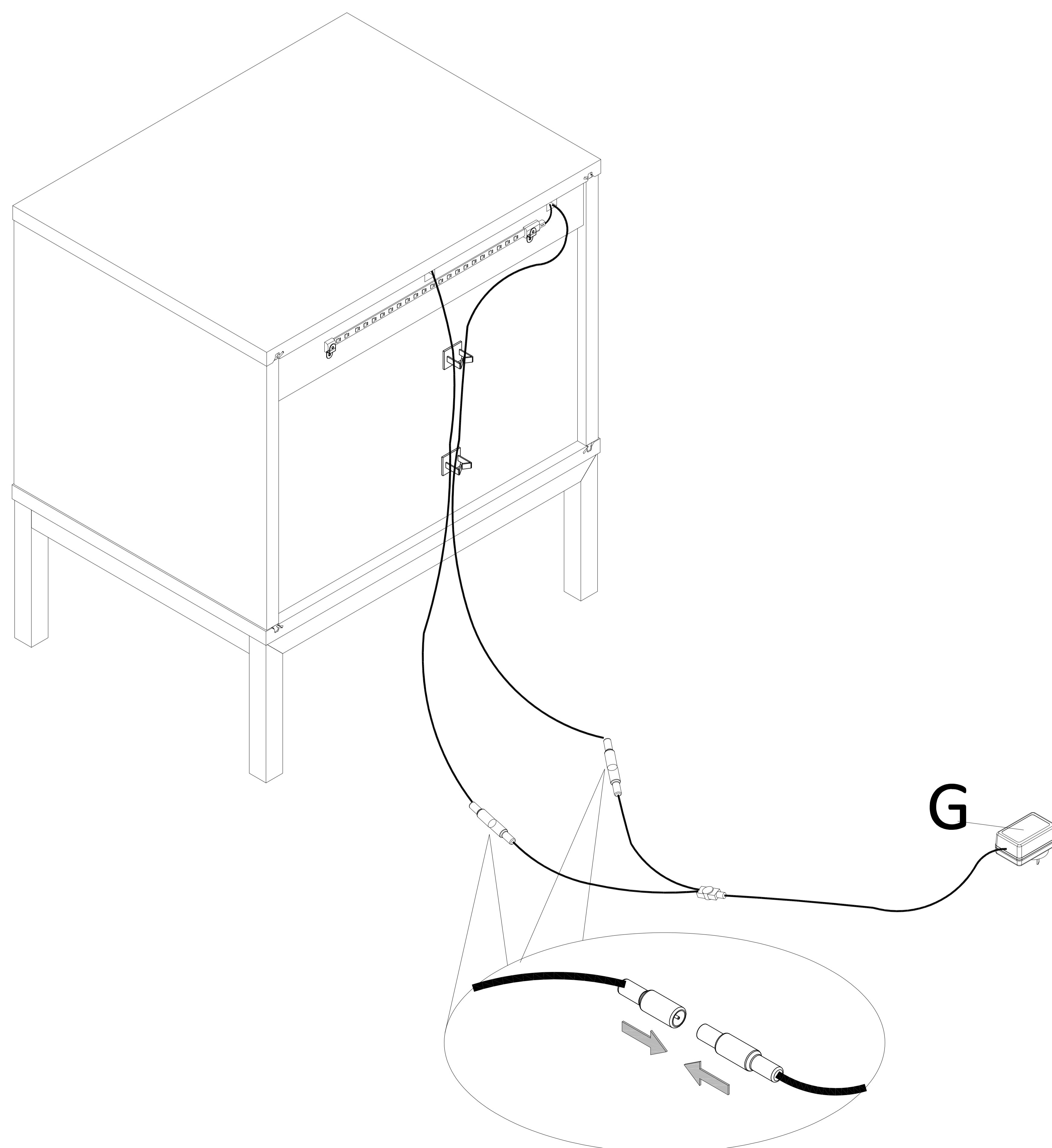
# 20

Please note, you may have difficulty aligning the door if the floor is uneven. Please ensure the cabinet is as level as possible.



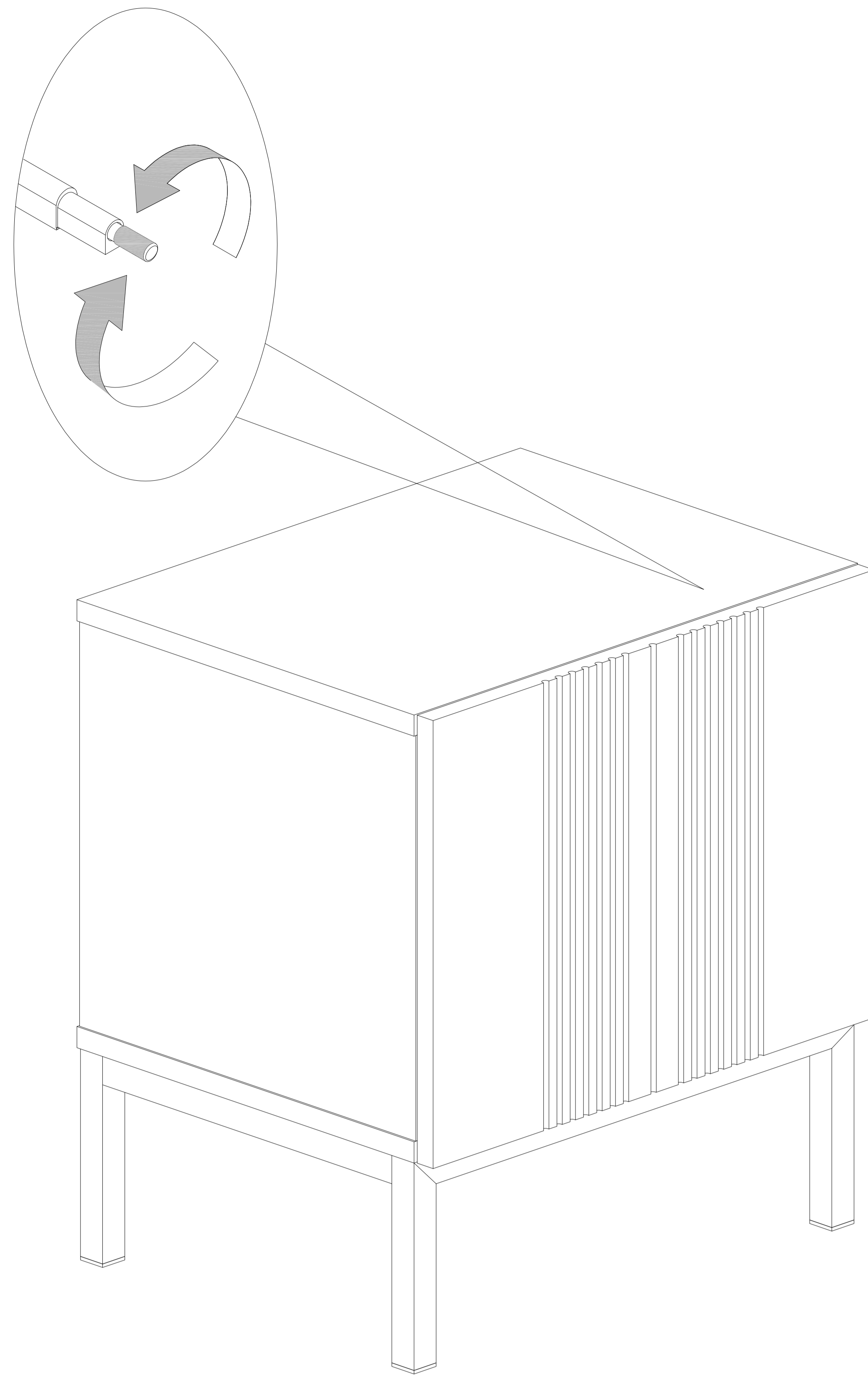
Once the door is aligned, use extra screws to strengthen the hinge, these holes are not pre-drilled.

# 21



# 22

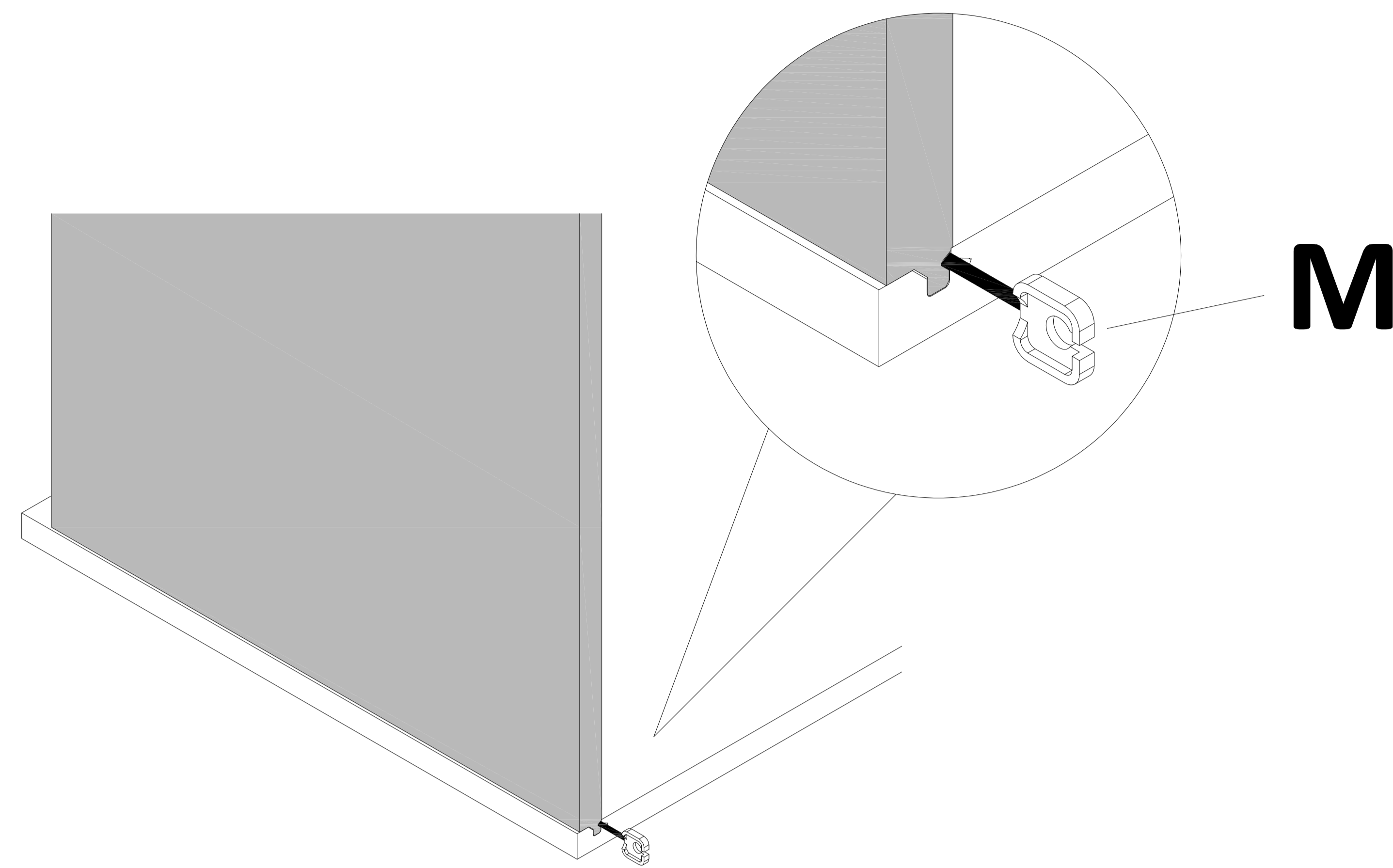
**NOTE: If the push to open mechanism is not working properly, Simply turn the end of the barrel to adjust.**



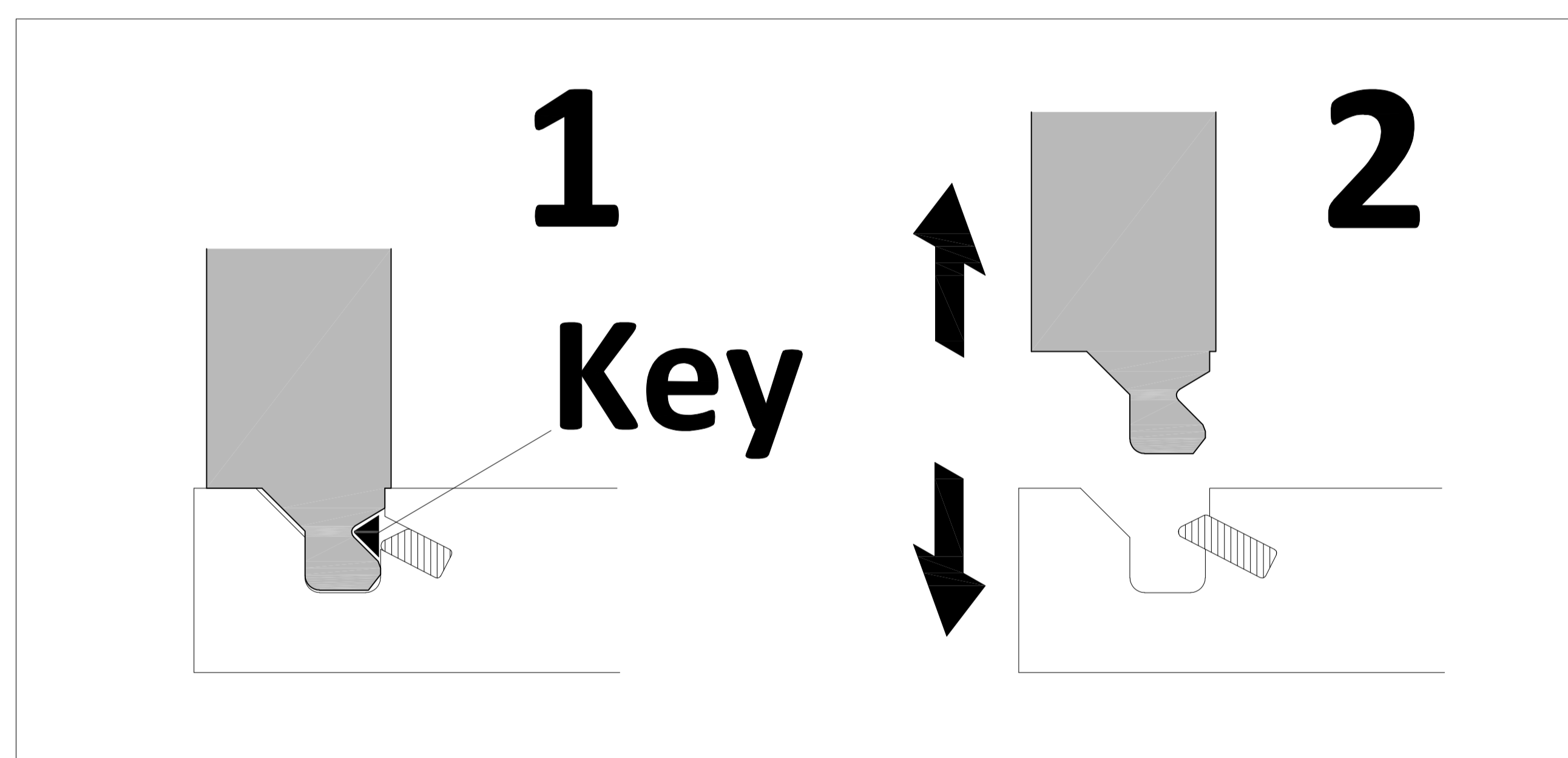
# 23

## Disassembly Instructions

Gently insert Disassembly rod 'M' in to the triangle shown in the diagram as 'KEY'. Once all the way in, the panels will come apart. Due to the click system, the panels may need a gently 'nudge or tap' to release them.



Insert rod 'M' into each section panel to disassemble panel at a time



We highly recommend watching the quick help video before disassembling. Simply place a phone camera over the QR code below for a quick link to the video



# 24

## Wall Fixing Installation Instructions: Textile strap

### Step 1

Place your product in the final position. Mark the wall with a pencil where corresponding hole will be drilled into wall. Check for hidden gas and water pipes and / or electrical wiring. Drill holes and fit an appropriate wall plug (not supplied) for your wall type. Screw the strap to the wall. Choose an appropriate screw to secure. If in any doubt please consult a professional.

### Note 1

The wall plug and the screw / washer are not supplied as the wall types may vary

### Note 2

The required gap between product and the wall is at least 25 mm.

### Note 3

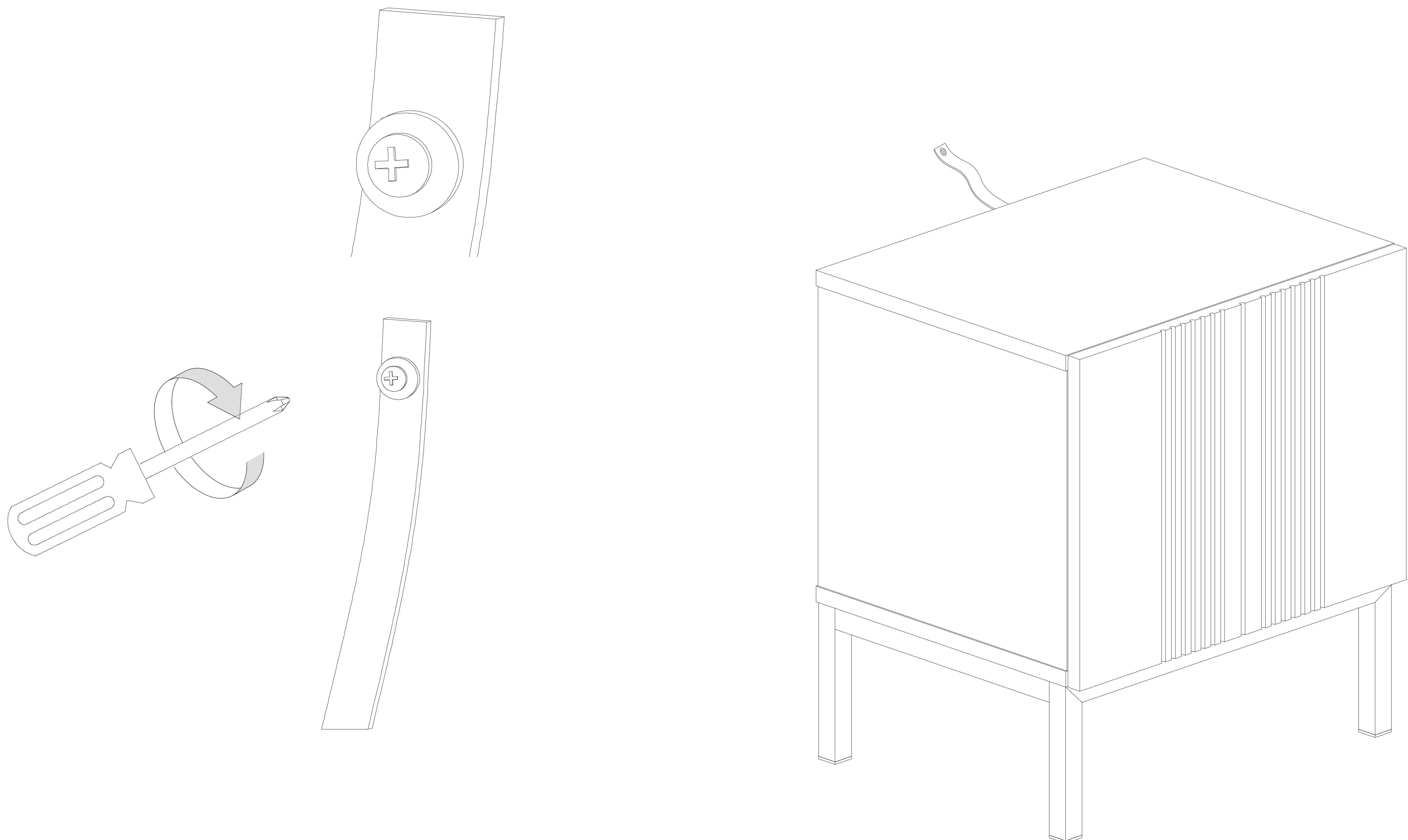
The end of the textile straps which are fixed to the wall should be about 25mm lower than the end fixed to the furniture.

### CAUTION:

Where wall fixings are supplied it is essential that these are used to provide additional stability in order to avoid the furniture toppling over with risk of injury.

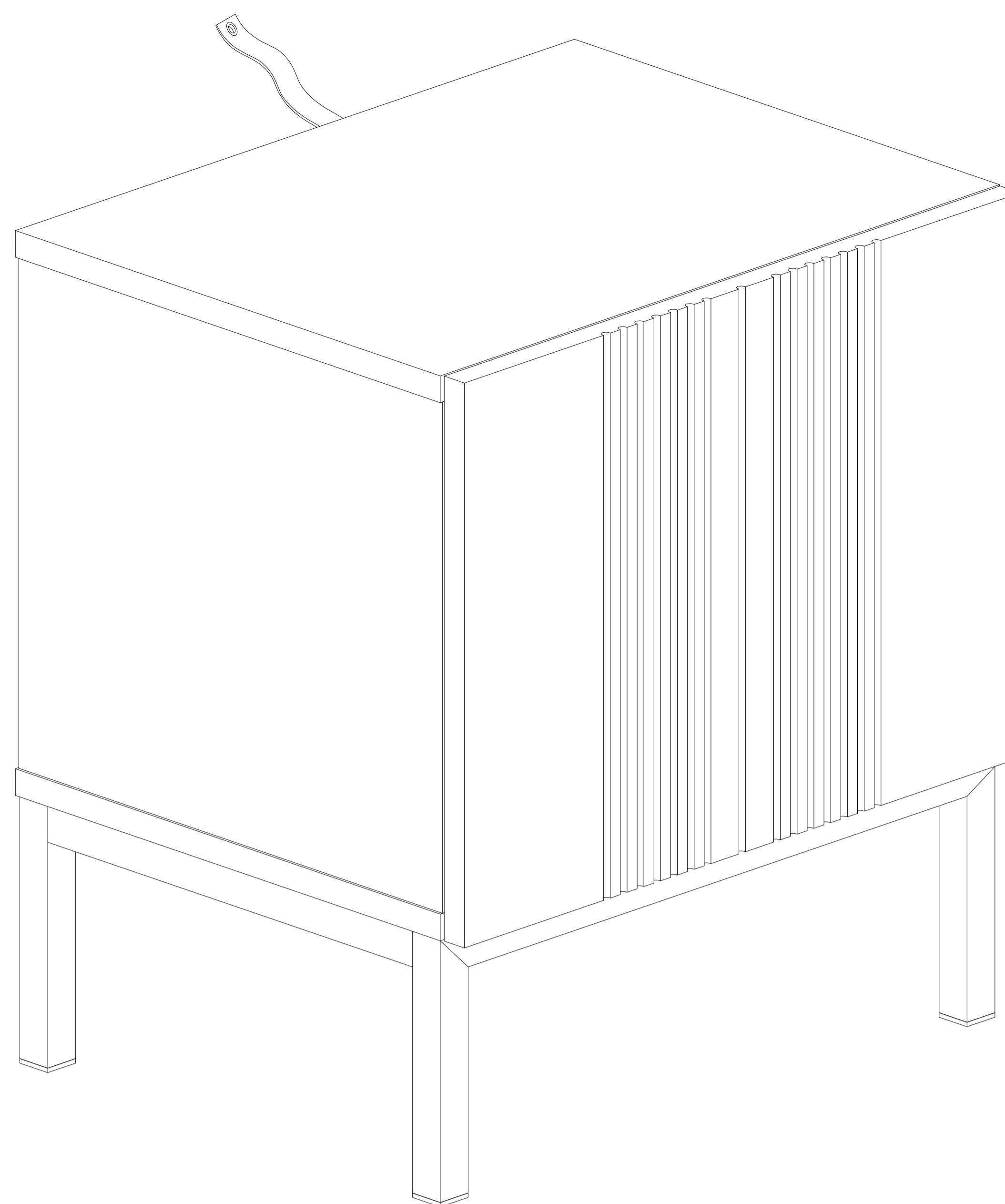
### CAUTION:

Always ensure the area to be drilled is free from hidden electrical wires, water and gas pipes.



# 25

**Finish** - Remove all visible stickers when assembly is fully completed.



## CLEANING ADVICE:

To avoid scratching the surfaces, clean only with a non abrasive cleaner.

## NOTES ON SETTING UP WIFI

The LEDS lights only work on 2.4 GHz, they will not work on 5.0 GHz

Most homes are 2.4 GHz or operate a dual function. If for any reason the LED lights are not connecting to the app or Alexa, please check the router setting. Most routers will operate both 2.4 and 5.00 GHz so there should be no problem.

In commercial premises, there maybe software to block access connection to unknown apps or services. If this happens, please check with IT Department.

The system will work from a mobile WiFi hotspot from one phone to another. We recommend this approach if there are access issues.

Ensure Bluetooth setting is on.

# QUICK HELP GUIDE & TIP VIDEOS

## LED LIGHT SET UP GUIDES



Pairing mode



Re-setting pairing mode



AP mode



Re-setting AP mode



**Setting up Frank Olsen app & SMART speaker control**  
Simply hold the camera on a smartphone over the QR code above to go to a quick link to the help video  
For PSTI (Product Security and Telecommunications Infrastructure) Statement of Compliance please visit the out site on the link below.  
<https://www.frankolsenfurniture.co.uk/statement-of-compliance>